

Assembly instruction | Metal base with cross



Seat options



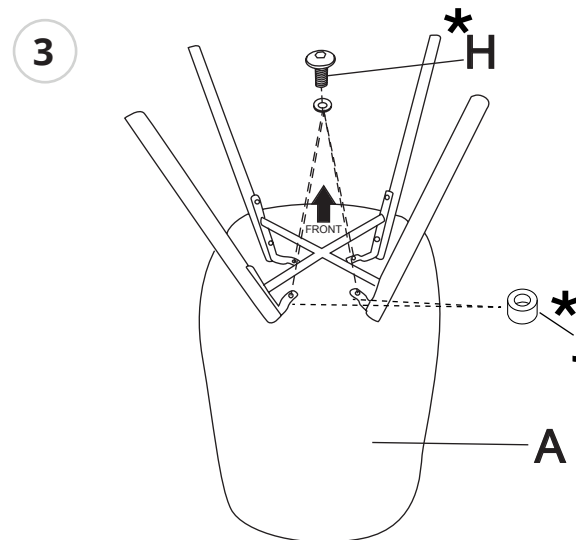
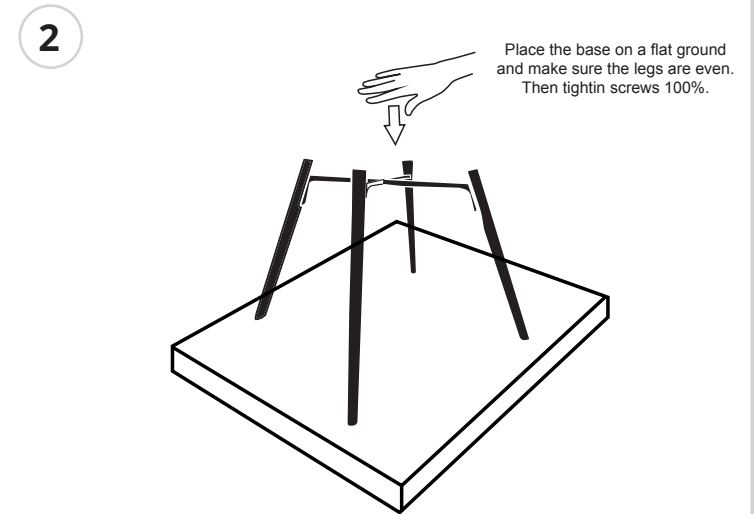
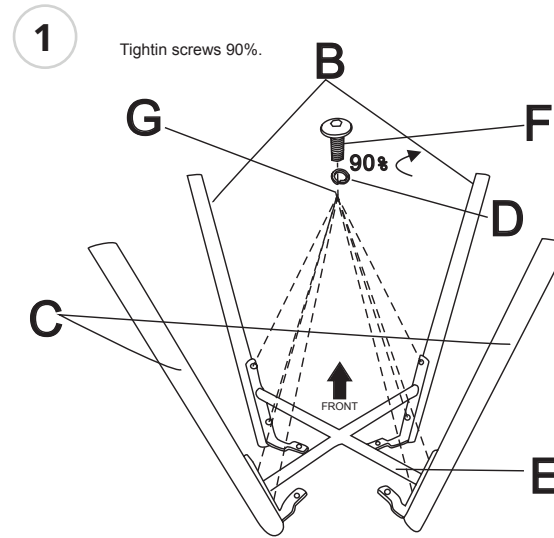
Included parts

A x1	B x2
Seat	
D x8 (M6)	C x2
F x8 (M6*20)	E x1
G x12 (M6*16*1)	H x4 (M6*16)
	*
	I x1 (M6)

*** ATTENTION!**
For upholstered shell use different parts

[H] -> 4x M6*30 screws

[J] -> 4x Ø20*10 washer



Notes

• We recommend that you re-tighten the screws after a while for optimum retention of your chair.

