

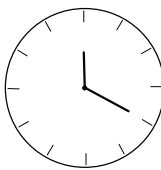
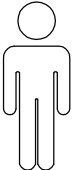
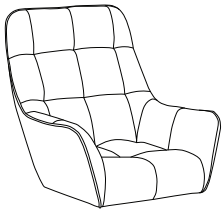
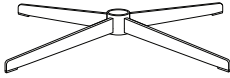


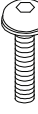
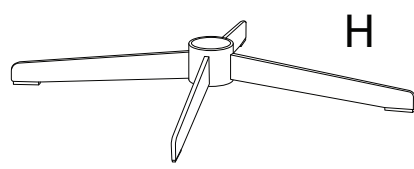
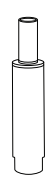
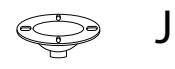
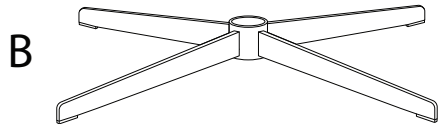
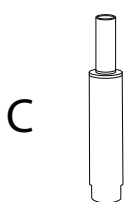
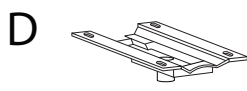
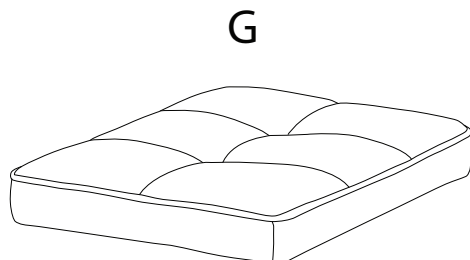
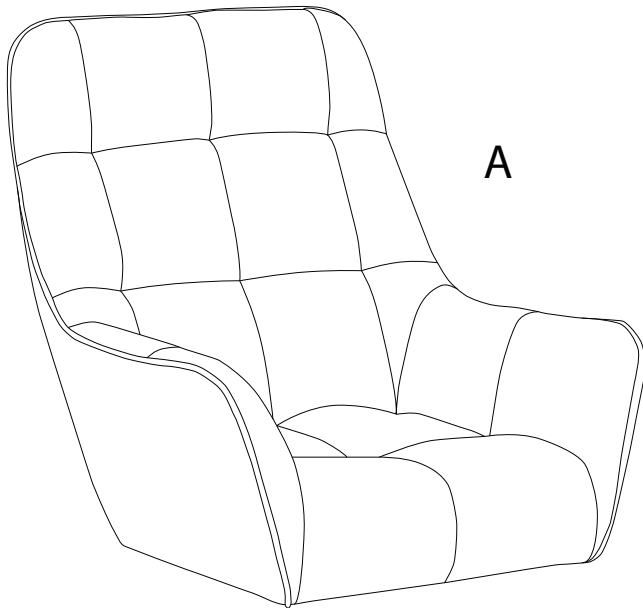


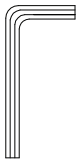

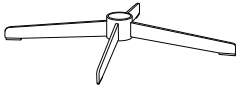




Assembly instructions for the chair and ottoman:

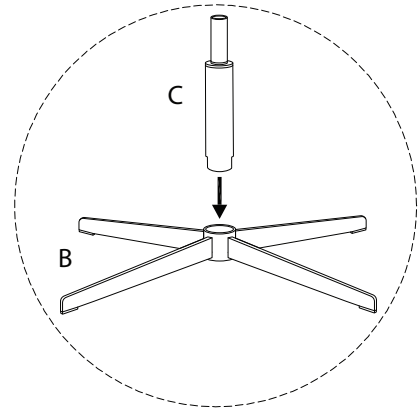
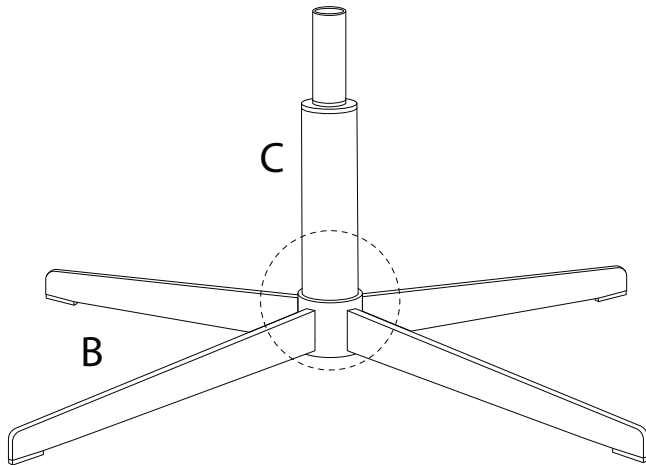
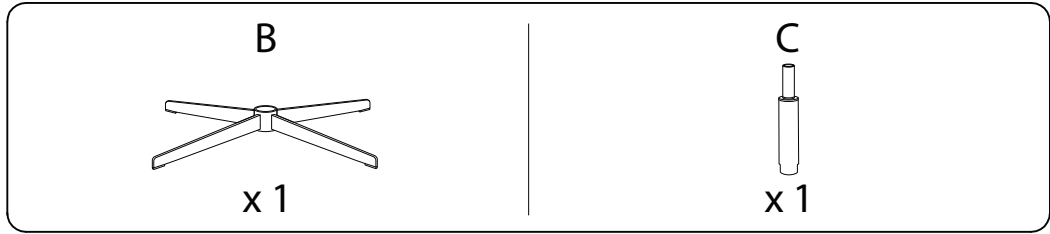
- Warning 1:** Do not use a power drill. Use an Allen key (shown in a circle) to tighten the base. 
- Warning 2:** Do not place the chair on a soft surface like a rug. Place it on a hard, flat surface. 
- Time:** 20' 
- Personnel:** 1 

A	B	C	D	E
				 M6 x 20
x 1	x 1	x 1	x 1	x 8

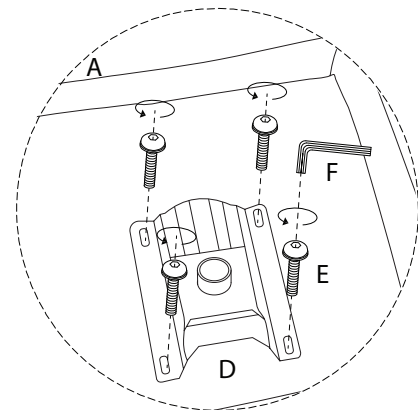
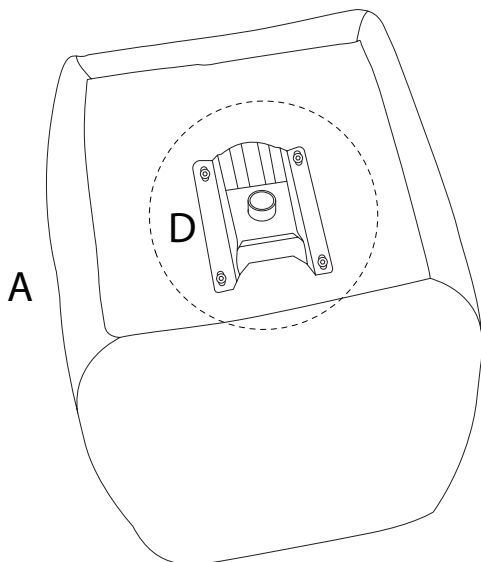
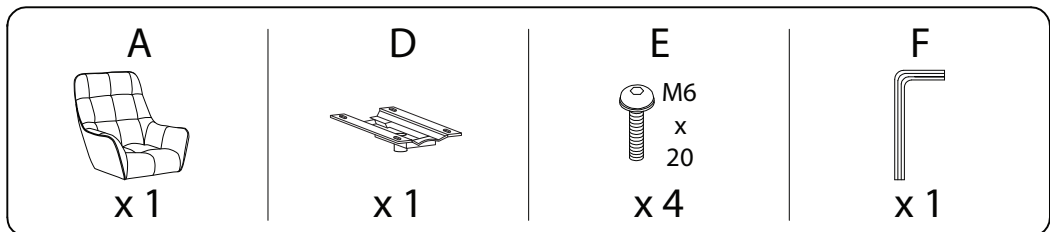


F	G	H	I	J
				
x 1	x 1	x 1	x 1	x 1

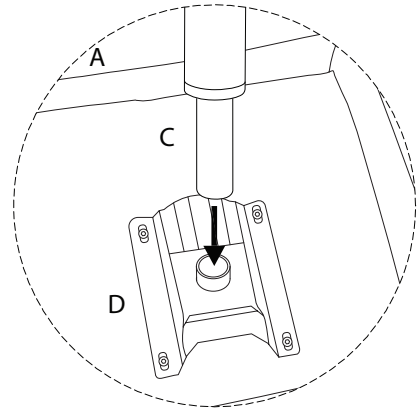
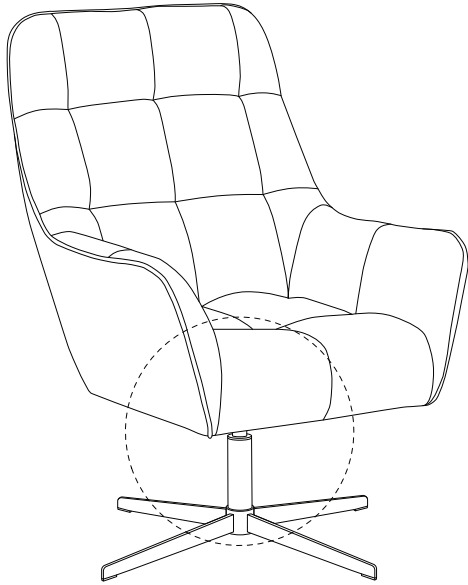
1



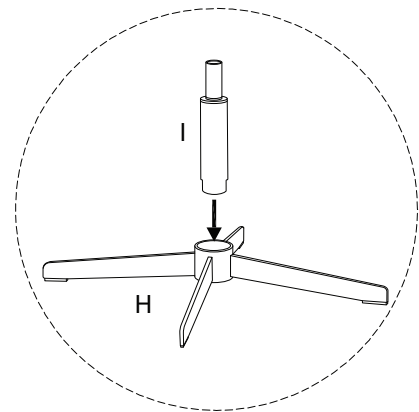
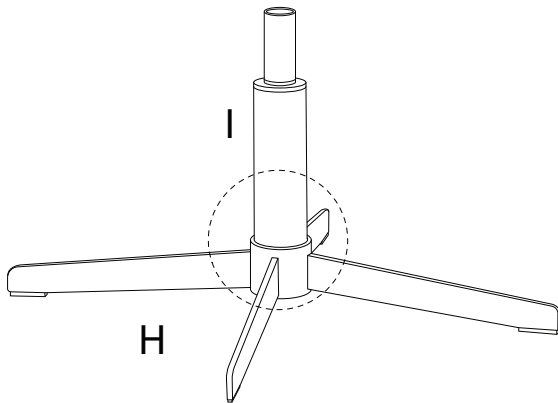
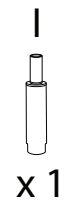
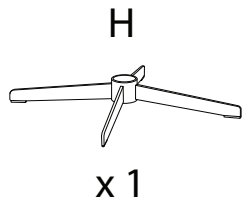
2



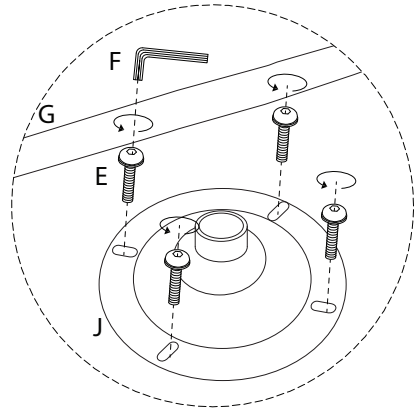
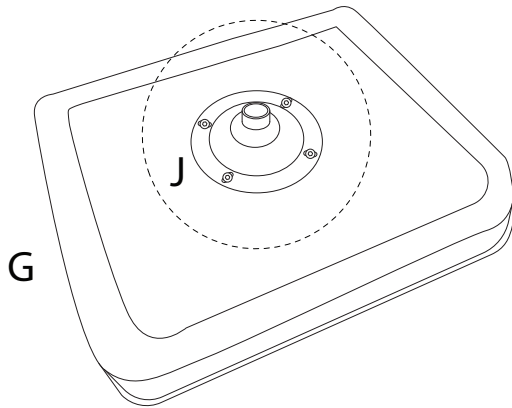
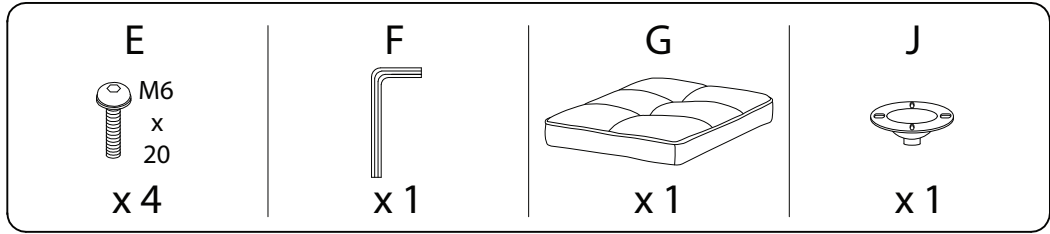
3



4



5



6

