

# Buddy II - Instruction for use



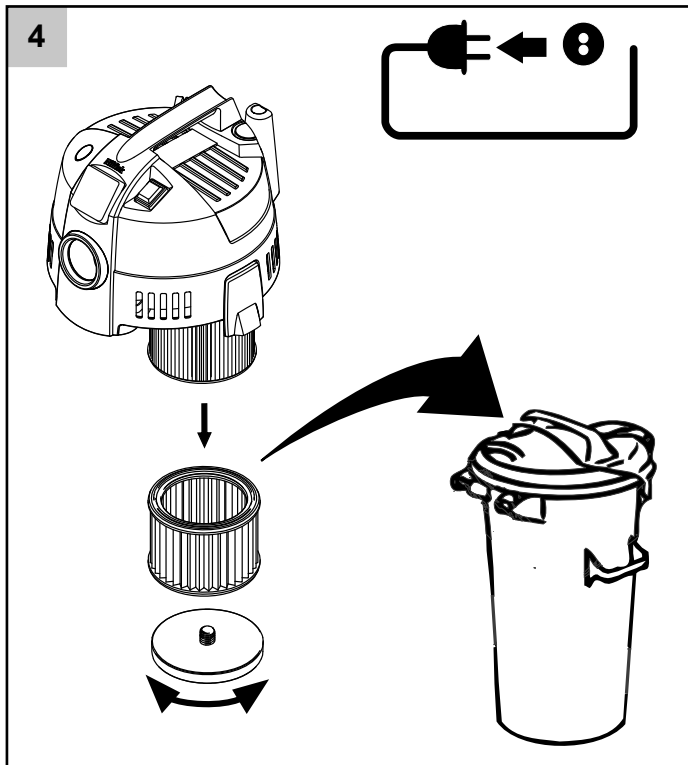
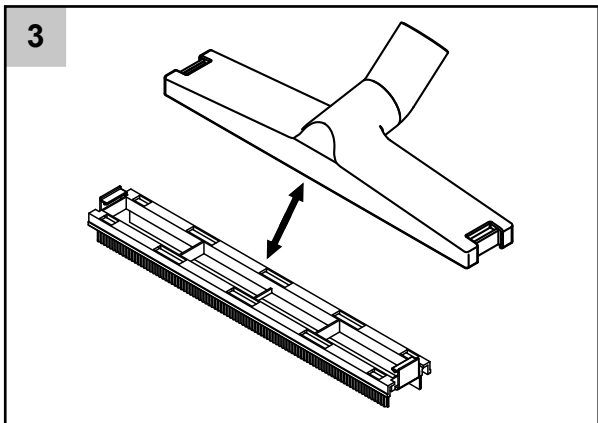
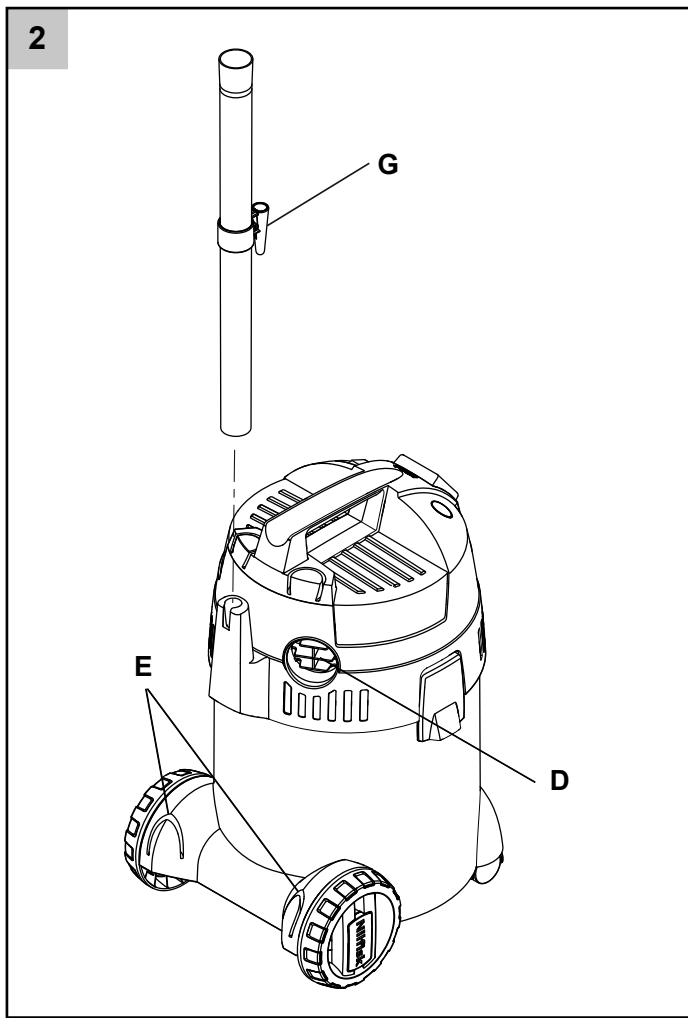
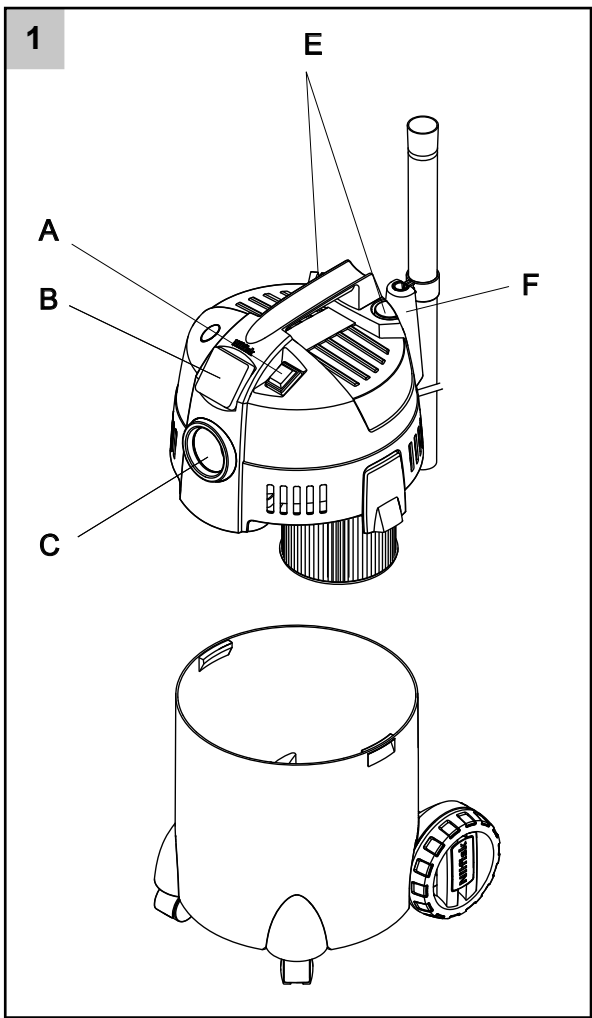




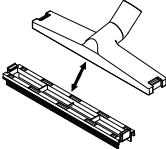


# Nilfisk Buddy II

EN	Instructions for use .....	6 - 10
DE	Betriebsanleitung .....	11 - 15
FR	Instructions d'utilisation .....	16 - 20
ES	Instrucciones de manejo .....	21 - 25
PT	Instruções de operação .....	26 - 30
IT	Istruzioni sull'uso .....	31 - 35
NL	Gebruiksaanwijzing .....	36 - 40
EL	Οδηγίες χρήσης .....	41 - 45
SV	Bruksanvisning .....	46 - 50
NO	Instruksjonsbok .....	51 - 55
DA	Brugsvejledning .....	56 - 60
FI	Käyttöohje .....	61 - 65

- EN
- DE
- FR
- ES
- PT
- IT
- NL
- EL
- SV
- NO
- DA
- FI



**Optional accessories - Optionales Zubehör - Accessoires en option - Accesorios opcionales - Acessórios opcionais - Accessori opzionali - Optionele accessoires - Προαιρετικά εξαρτήματα - Valfría tillbehör - Valgfritt tilbehør - Ekstra tilbehør - Lisävarusteet**

81943049	Wet/dry nozzle	
81943047	Filter kit	
81943048	Dust bag 4 pcs.	

EN

DE

FR

ES

PT

IT

NL

EL

SV

NO

DA

FI

EN

**Dear Nilfisk customer**

Congratulations on the purchase of your new Nilfisk vacuum cleaner.

DE

FR

Prior to using the appliance for the first time, be sure to read this document through and keep it ready to hand.

ES

**Purpose and intended use**

PT

The vacuum cleaner is suitable for private use, e.g. for household, hobby workshops, car cleaning - sucking up non-hazardous dust and non-flammable liquids.

IT

NL

**Symbols used to mark instructions****WARNING**

Danger that can lead to serious injuries and damage.

EL

SV

**Important warnings****WARNING**

- No changes to the mechanical, electrical or thermal safety devices must be made.
- This appliance can be used by children aged from 8 years and above and persons with reduced physical, sensory or mental capabilities or lack of experience and knowledge if they have been given supervision or instruction concerning use of the appliance in a safe way and understand the hazards involved.
- Children shall be supervised to make sure that


DA

FI

they do not play with the appliance.

- Cleaning and user maintenance shall not be made by children without supervision.
- Never spray water on the upper section of the vacuum cleaner. Danger for persons, risk or short-circuiting.
- Never use the vacuum cleaner if the filter is not installed or if damaged.
- The vacuum cleaner features a blow function. Do not blow the air out in the open space. Only use the blow function with a clean tube. Dust may be harmful to health.

**Hazardous materials****WARNING**

 Vacuuming up hazardous materials can lead to serious or even fatal injuries. The following materials must not be picked up by the vacuum cleaner:

- hazardous dust
- hot materials (burning cigarettes, hot ashes etc.)
- flammable, explosive, aggressive liquids (e.g. petrol, solvents, acids,

- alkalis, etc.)
- flammable, explosive dust (e.g. magnesium or aluminium dust etc.)

### Electrical connection

#### WARNING



- Before using the vacuum cleaner make sure that the voltage shown on the rating plate of the vacuum cleaner corresponds to the voltage of the local mains power supply.
- It is recommended that the vacuum cleaner should be connected via a residual current circuit breaker.
- The vacuum cleaner must not be used if the electrical cable or plug shows any sign of damage. Regularly inspect the cable and the plug for damage. If the power cord is damaged, it must be replaced by Nilfisk Service or an electrician to avoid danger before use of the vacuum cleaner is continued.
- Do not handle the electrical cable or plug with wet hands.
- Do not unplug by pulling on cable. To unplug,

grasp the plug, not the cable. The plug must always be removed from the socket outlet before starting any service or repair work of the machine or cable.

### Maintenance

Always remove the electric plug from the socket before carrying out maintenance work on the machine.

### Recycling the vacuum cleaner



The packaging materials can be recycled. Please recycle the components instead of throwing them in your household rubbish. You can also leave the packaging directly at your Nilfisk location to be properly recycled from there.

As specified in WEEE Directive 2012/19/EC on old electrical and electronic appliances, used electrical goods must be collected separately and recycled ecologically. Contact your local authorities or your nearest dealer for further information.

### Warranty

Nilfisk guarantees vacuum cleaners for domestic use for 2 years. If your vacuum cleaner or accessories is/are handed in for repair, a copy of the receipt must be enclosed.

Guarantee repairs are being made on the following conditions:

- that defects are attributable to flaws or defects in materials or workmanship. (wear and tear as well as misuse are not covered by the guarantee).
- that the directions of this instruction manual have been thoroughly observed.
- that repair has not been carried out or attempted by other than Nilfisk-trained service staff.
- that only original accessories have been applied.
- that the product has not been exposed to abuse such as knocks, bumps or frost.
- that the vacuum cleaner has not been used for rental nor used commercially in any other way.

Batteries, lamps and wearing parts are excluded from the warranty.

In the event of defects arising during the duration of

EN

DE

FR

ES

PT

IT

NL

EL

SV

NO

DA

FI

EN

the warranty and of which Nilfisk is given notice, Nilfisk will, of their own choice, either repair the defects, replace the unit or refund the purchase price upon return of the unit. Opening the unit housing causes the warranty to become void. Further claims may not be made on the basis of the warranty. The statutory warranty rights of the customer remain unaffected. Manufacturer warranty claims shall be made to the manufacturer. Statutory warranty rights also remain unaffected in this case.

DE

FR

ES

PT

IT

NL

EL

SV

NO

DA

FI

#### Addendum Australia:

Our goods come with guarantees that cannot be excluded under the Australian Consumer Law. You are entitled to a replacement or refund for a major failure and for compensation for any other reasonably foreseeable loss or damage. You are also entitled to have the goods repaired or replaced if the goods fail to be of acceptable quality and the failure does not amount to a major failure.

Nilfisk vacuum cleaners for domestic use are warranted for 2 years from the date of purchase by:

Nilfisk Pty Ltd  
Unit 1/13 Bessemer Street  
Blacktown NSW 2148  
Phone: 1300 556 710  
E-mail: Warranty.au@nilfisk.com

Find your local service agent here:  
<http://www.nilfisk.com.au>.

The benefits under this warranty are in addition to your national law of sale.

## Picking up liquids

Before liquids are picked up, always remove the filter bag. Insert filter for wet operation. Check that the float works properly. If foam develops or liquid emerges from the machine, stop work immediately and empty the dirt tank.

## Connecting electrical appliances

Use the socket on the vacuum cleaner for the purpose defined in the operating instructions only. Before plugging an appliance into the appliance socket:

1. Switch off the vacuum cleaner.
2. Switch off the appliance to be connected.  
**CAUTION!** Follow the operating instructions and safety instructions for appliances connected to the power tool socket. Always unwind the cable of the vacuum cleaner completely before use.
3. **CAUTION!** IP24 only when water-proof lid closed and without plug.

The power consumption of the connected appliance must never exceed the value stated on the type plate of the vacuum cleaner.

The operating voltage shown on the rating plate must correspond to the voltage of the mains power supply.

## Parts identification (ref. illu. 1&2, page 4)

- A. On/off switch
- B. Connection of powertool\*
- C. Connection of suction hose
- D. Connection to blow function
- E. Accessory storage
- F. Cable storage
- G. Quick park

\* Varies depending on model.

## Technical specifications

Model	Buddy II 12	Buddy II 18	Buddy II 18 Inox	Buddy II 18T	Buddy II 18T Inox
	EU, UK, ZA, AU, CN	EU, UK, ZA, AU, CN	EU, UK, ZA, AU, CN	EU, UK, ZA, AU, CN	EU, UK
	12 l	18 l	18 l Inox	18 l with elec. outlet	18 l Inox with elec. outlet
Voltage (V)	220 - 240	220 - 240	220 - 240	220 - 240	220 - 240
P <sub>NOM</sub> (W)	1150	1150	1150	1150	1150
P <sub>max</sub> (W)	1250	1250	1250	1250	1250
Power socket max (W)	NA	NA	NA	1100	1100
IP	X4	X4	X4	X4	X4
Tank capacity (l)	12	18	18	18	18
Tank material	Plastic	Plastic	Metal	Plastic	Metal
Supply cord - length (m)	4	4	4	6	6



## Operation instructions

### Switching on the vacuum cleaner

On/Off - position "A" (ref. page 12)

Switch "0-I"

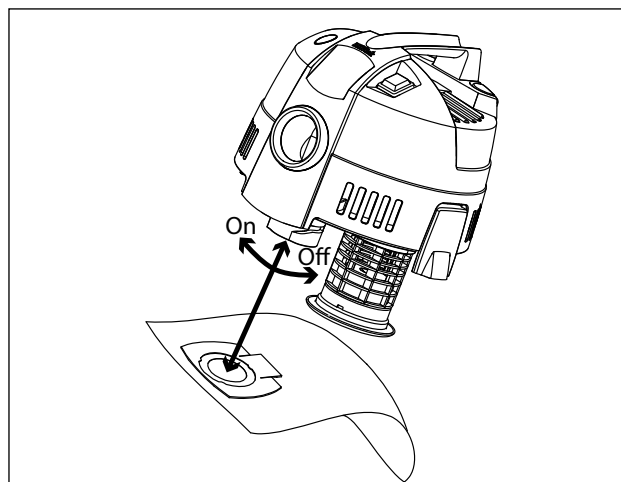
I 0	Switch position	Function
	I	On
	0	Off

### Filter change (ref. illu. 4, page 4)

1. Disconnect the power supply.
2. Turn the filter disc counter-clockwise. Carefully remove the filter and check it for damages. Replace the filter if necessary and dispose the filter according to legal regulations. Using wet and dry filter, clean the filter by compressed air (keep proper distance in order not to damage the filter with the air stream) or rinse in water. Dry the filter before use.
3. Carefully clean the filter sealing areas, mount the filter and tighten the filter clockwise.

### Changing filter bag

1. Disconnect the power supply.
2. Carefully turn the carton flap on the inlet fitting counter-clockwise and remove the used filter bag. Dispose the filter bag in accordance with legal regulations.
3. Insert the new filter bag by pressing it gently to the inlet fitting and turn it clockwise. Nilfisk always recommends to use original dust bags from Nilfisk, suitable for fine dust.



EN

DE

FR

ES

PT

IT

NL

EL

SV

NO

DA

FI

EN

## Declaration of Conformity

DE

We,

FR

Nilfisk A/S  
Kornmarksvej 1  
DK-2605 Broendby  
DENMARK

ES

Hereby declare that the

PT

Product: Wet/dry vacuum Cleaner  
Description: 220-240V, 50/60 Hz, IPX04  
Type: Buddy II

IT

Is in compliance with the following standards:

NL

EN 60335-1:2012+A11:2014  
EN 60335-2-2:2010+A11:2012+A1:2013  
EN 55014-1:2006+A1:2009+A2:2011  
EN 55014-2:2015  
EN 61000-3-2:2014  
EN 61000-3-3:2013  
EN 50581:2012

EL

SV

NO

Following the provisions of:

DA

2014/35/EU  
2014/30/EU  
2011/65/EU

FI

Hadsund, 04-10-2017



Esben Graff

VP Portfolio Management, Consumer



## HEAD QUARTER

### DENMARK

Nilfisk A/S  
Kornmarksvej 1  
DK-2605 Broendby  
Tel.: (+45) 4323 8100  
Website: www.nilfisk.com

## SALES COMPANIES

### ARGENTINA

Nilfisk srl.  
Edificio Central Park  
Herrera 1855, 6th floor/604  
Ciudad de Buenos Aires  
Tel.: (+54) 11 6091 1571  
Website: www.consumer.nilfisk.com.ar

### AUSTRALIA

Nilfisk Pty Ltd  
Unit 1/13 Bessemer Street  
Blacktown NSW 2148  
Tel.: (+61) 2 98348100  
Website: www.consumer.nilfisk.com.au

### AUSTRIA

Nilfisk GmbH  
Metzgerstrasse 68  
5101 Bergheim bei Salzburg  
Tel.: (+43) 662 456 400 90  
Website: www.nilfisk.at

### BELGIUM

Nilfisk n.v.-s.a.  
Riverside Business Park  
Boulevard Internationalelaan 55  
Bâtiment C3/C4 Gebouw  
Bruxelles 1070  
Tel.: (+32) 24 67 60 50  
Website: www.consumer.nilfisk.be

### Brazil

Nilfisk do Brasil  
Av. Eng. Luis Carlos Berrini, 550  
40 Andar, Sala 03  
SP - 04571-000 Sao Paulo  
Tel.: (+11) 3959-0300 / 3945-4744  
Website: www.nilfisk.com.br

### CANADA

Nilfisk Canada Company  
240 Superior Boulevard  
Mississauga, Ontario L5T 2L2  
Tel.: (+1) 800-668-8400  
Website: www.nilfisk.ca

### CHILE

Nilfisk S.A. (Comercial KCS Ltda)  
Salar de Llamara 822  
8320000 Santiago  
Tel.: (+56) 2684 5000  
Website: www.nilfisk.cl

### CHINA

Nilfisk  
4189 Yindu Road  
Xinzhuang Industrial Park  
201108 Shanghai  
Tel.: (+86) 21 3323 2000  
Website: www.nilfisk.cn

### CZECH REPUBLIC

Nilfisk s.r.o.  
VGP Park Horní Počernice  
Do Čertous 1/2658  
193 00 Praha 9  
Tel.: (+420) 244 090 912  
Website: www.consumer.nilfisk.cz

### DENMARK

Nilfisk Danmark A/S  
Industrivej 1  
Hadsund, DK-9560  
Tel.: 72 18 21 20  
Website: www.consumer.nilfisk.dk

### FINLAND

Nilfisk Oy Ab  
Koskelontie 23 E  
02920 Espoo  
Tel.: (+358) 207 890 600  
Website: www.consumer.nilfisk.fi

### FRANCE

Nilfisk SAS  
26 Avenue de la Baltique  
Villebon sur Yvette  
91978 Courtaboeuf Cedex  
Tel.: (+33) 169 59 87 24  
Website: www.consumer.nilfisk.fr

### GERMANY

Nilfisk GmbH  
Guido-Oberdorfer-Straße 2-10  
89287 Bellenberg  
Tel.: (+49) (0)7306/72-444  
Website: www.consumer.nilfisk.de

### GREECE

Nilfisk A.E.  
Αναπαύσεως 29  
Κορωπί Τ.Κ. 194 00  
Tel.: (30) 210 9119 600

Website: www.consumer.nilfisk.gr

### HOLLAND

Nilfisk B.V.  
Versterkerstraat 5  
1322 AN Almere  
Tel.: (+31) 036 5460760  
Website: www.consumer.nilfisk.nl

### HONG KONG

Nilfisk Ltd.  
2001 HK Worsted Mills  
Industrial Building  
31-39, Wo Tong Tsui St.  
Kwai Chung, N.T.  
Tel.: (+852) 2427 5951  
Website: www.nilfisk.com

### HUNGARY

Nilfisk Kft.  
II. Rákóczi Ferenc út 10  
2310 Szigetszentmiklós-Lakihegy  
Tel.: (+36) 24 475 550  
Website: www.nilfisk.hu

### INDIA

Nilfisk India Limited  
Pramukh Plaza, 'B' Wing, 4th floor, Unit No. 403  
Cardinal Gracious Road, Chakala  
Andheri (East) Mumbai 400 099  
Tel.: (+91) 22 6118 8188  
Website: www.nilfisk.in

### IRELAND

Nilfisk  
1 Stokes Place  
St. Stephen's Green  
Dublin 2  
Tel.: (+35) 3 12 94 38 38  
Website: www.nilfisk.ie

### ITALY

Nilfisk SpA  
Strada Comunale della Braglia, 18  
26862 Guardamiglio (LO)  
Tel.: (+39) (0) 377 414021  
Website: www.nilfisk.it

### JAPAN

Nilfisk Inc.  
1-6-6 Kita-shinyokohama, Kouhoku-ku  
Yokohama, 223-0059  
Tel.: (+81) 45548 2571  
Website: www.nilfisk.com

### MALAYSIA

Nilfisk Sdn Bhd  
Sd 33, Jalan KIP 10  
Taman Perindustrian KIP  
Sri Damansara  
52200 Kuala Lumpur  
Tel.: +603 6275 3120  
Website: www.nilfisk.com

### MEXICO

Nilfisk de Mexico, S. de R.L. de C.V.  
Pirineos #515 Int.  
60-70 Microparque  
Industrial WSantiago  
76120 Queretaro  
Tel.: (+52) (442) 427 77 00  
Website: www.nilfisk.com

### NEW ZEALAND

Nilfisk Limited  
Suite F, Building E  
42 Tawa Drive  
0632 Albany Auckland  
Tel.: (+64) 9 414 1996  
Website: www.nilfisk.com

### NORWAY

Nilfisk AS  
Bjørnerudveien 24  
1266 Oslo  
Tel.: (+47) 22 75 17 80  
Website: www.consumer.nilfisk.no

### PERU

Nilfisk S.A.C.  
Calle Boulevard 162, Of. 703, Lima 33- Perú  
Lima  
Tel.: (511) 435-6840  
Website: www.nilfisk.com

### POLAND

Nilfisk Sp. Z.O.O.  
Millenium Logistic Park  
ul. 3 Maja 8, Bud. B4  
05-800 Pruszków  
Tel.: (+48) 22 738 3750  
Website: www.consumer.nilfisk.pl

### PORTUGAL

Nilfisk Lda.  
Sintra Business Park  
Zona Industrial Da Abrunheira  
Edifício 1, 1º A  
P2710-089 Sintra  
Tel.: (+351) 21 911 2670  
Website: www.nilfisk.pt

### RUSSIA

Nilfisk LLC  
Vyatskaya str. 27, bld. 7/1st

127015 Moscow  
Tel.: (+7) 495 783 9602  
Website: www.consumer.nilfisk.ru

### SINGAPORE

Den-Sin  
22 Tuas Avenue 2  
639453 Singapore  
Tel.: (+65) 6268 1006  
Website: www.densin.com

### SLOVAKIA

Nilfisk s.r.o.  
Bancikovej 1/A  
SK-821 03 Bratislava  
Tel.: (+421) 910 222 928  
Website: www.consumer.nilfisk.sk

### SOUTH AFRICA

Nilfisk (Pty) Ltd  
Kimbult Office Park, 9 Zeiss Road  
Laser Park, Honeydew  
Johannesburg  
Tel.: (+27) 118014600  
Website: www.nilfisk.co.za

### SOUTH KOREA

Nilfisk Korea  
3F Duksoo B/D, 317-15  
Sungsoo-Dong 2Ga  
Sungdong-Gu, Seoul  
Tel.: (+82) 2497 8636  
Website: www.nilfisk.co.kr

### SPAIN

Nilfisk S.A.U  
Paseo del Rengle, 5 Planta. 9-10  
08302 Mataró  
Tel.: (34) 93 741 2400  
Website: www.consumer.nilfisk.es

### SWEDEN

Nilfisk AB  
Taljegårdsgatan 4  
431 53 Mölndal  
Tel.: (+46) 31 706 73 00  
Website: www.consumer.nilfisk.se

### SWITZERLAND

Nilfisk AG  
Ringstrasse 19  
Kircheberg/Industri Stelz  
9500 Wül  
Tel.: (+41) 71 92 38 444  
Website: www.consumer.nilfisk.ch

### TAIWAN

Nilfisk Ltd  
Taiwan Branch (H.K)  
No. 5, Wan Fang Road  
Taipei  
Tel.: (+88) 6227 00 22 68  
Website: www.nilfisk.tw

### THAILAND

Nilfisk Co. Ltd.  
89 Soi Choekchai-Ruammitr  
Viphavadee-Rangsit Road  
Ladyao, Jatuchak, Bangkok 10900  
Tel.: (+66) 2275 5630  
Website: www.nilfisk.co.th

### TURKEY

Nilfisk A.S.  
Serifali Mh. Bayraktar Bulv. Sehit Sk. No:7  
Umraniye, 34775 Istanbul  
Tel.: +90 216 466 94 94  
Website: www.consumer.nilfisk.com.tr

### UNITED ARAB EMIRATES

Nilfisk Middle East Branch  
SAIF-Zone  
P.O. Box 122298  
Sharjah  
Tel.: (+971) (0) 655-78813  
Website: www.nilfisk.com

### UNITED KINGDOM

Nilfisk Ltd.  
Nilfisk House, Bowerbank Way  
Gilwilly Industrial Estate, Penrith  
Cumbria CA11 9BQ  
Tel.: (+44) (0) 1768 868995  
Website: www.consumer.nilfisk.co.uk

### UNITED STATES

Nilfisk Inc.  
14600 21st Avenue North  
Plymouth, MN-55447  
Tel.: (+1) 800-989-2235  
Website: www.nilfisk.com

### VIETNAM

Nilfisk Vietnam  
No. 51 Doc Ngu Str.  
P. Vinh Phúc, Q.Ba Dinh  
Hanoi  
Tel.: (+84) 761 5642  
Website: www.nilfisk.com