

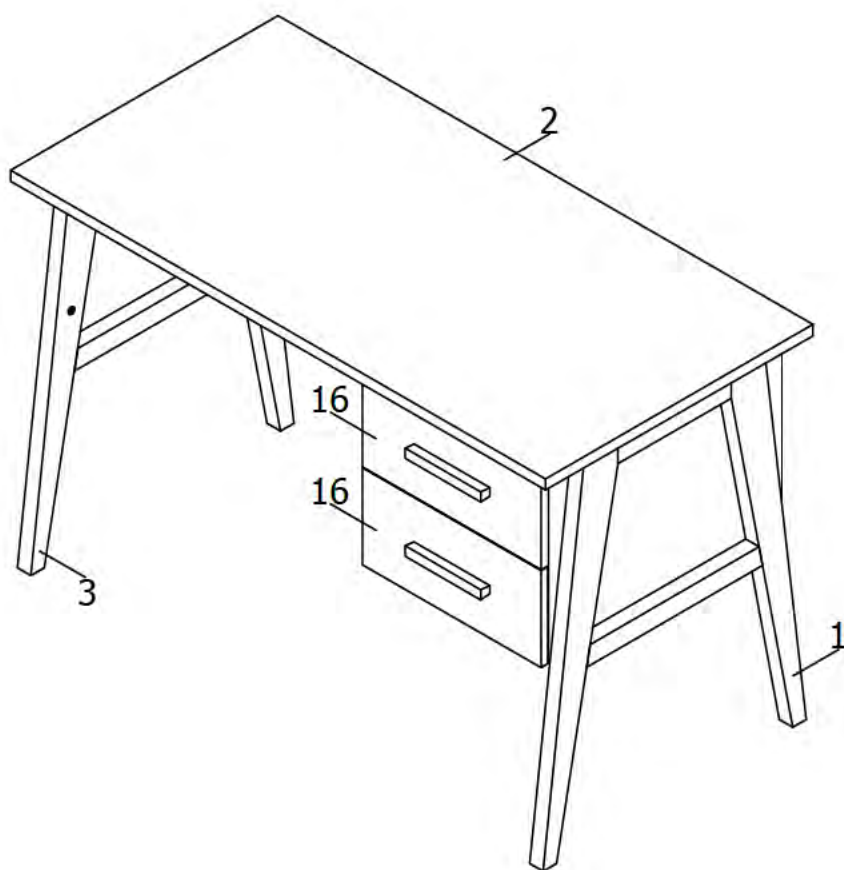
# bopita®

ASSEMBLY INSTRUCTION  
MONTAGE HANDLEIDING  
MONTAGE ANLEITUNG  
NOTICE DE MONTAGE  
MANUAL DE MONTAJE

UK  
NL  
D  
F  
ESP

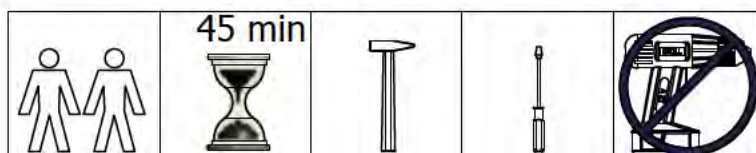
MODEL  
TYPE  
COLOUR  
ART.CODE

: WRITINGDESK  
: FENNA  
: WHITE/NATURAL  
: 252188.03










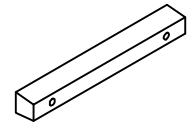

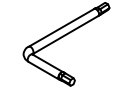
Distributor:

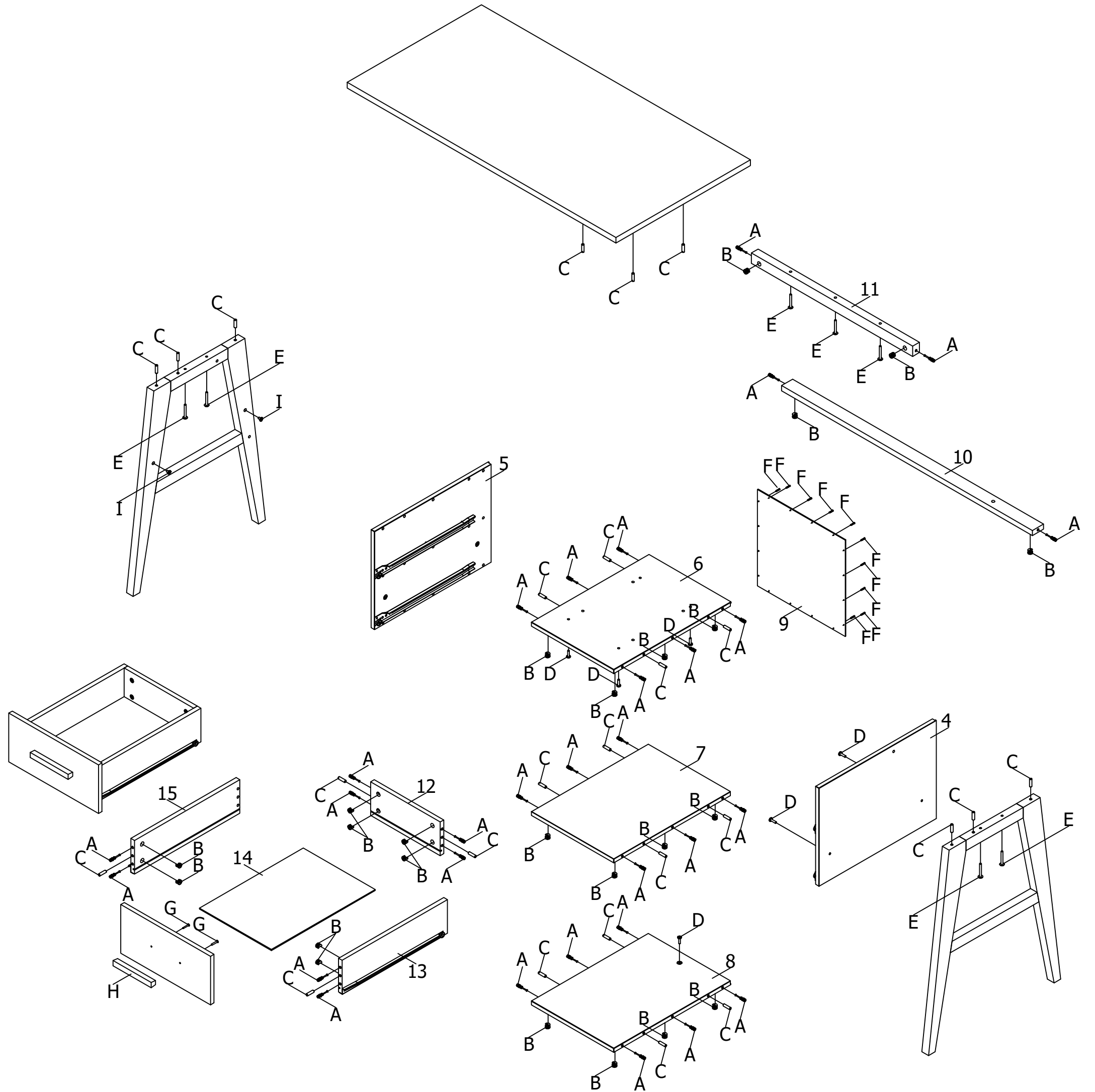
BOPITA  
Energieweg 1  
6662 NS Elst  
The Netherlands



[www.bopita.com](http://www.bopita.com)

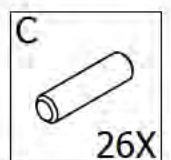
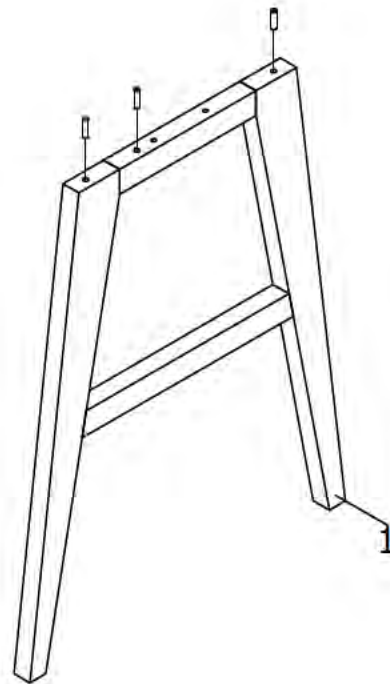
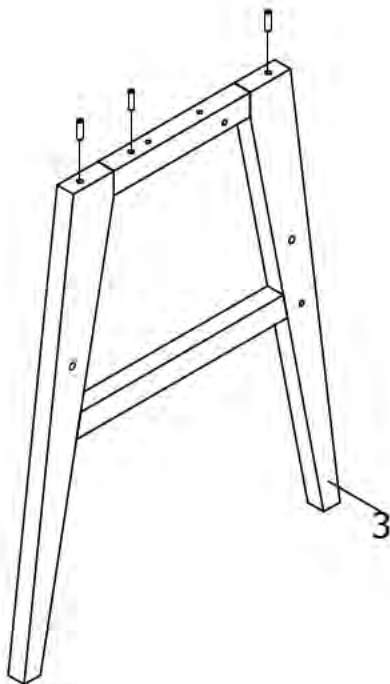
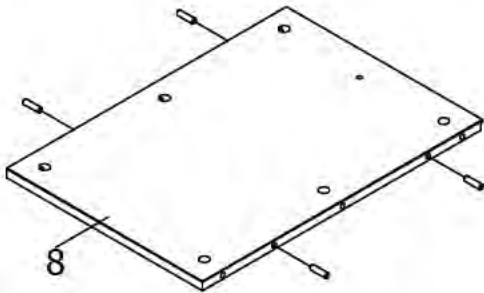
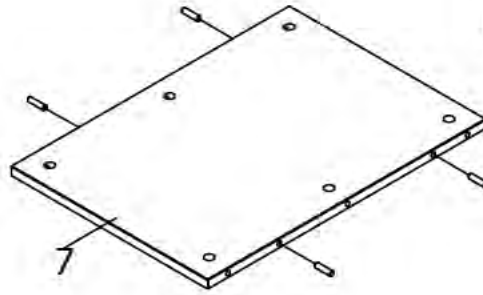
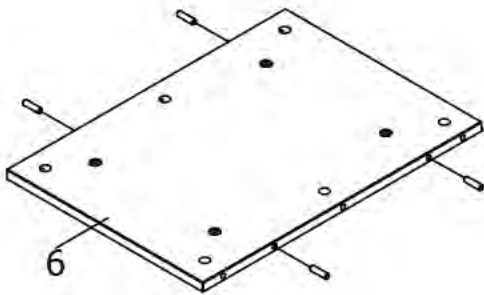
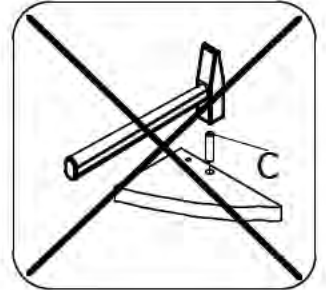
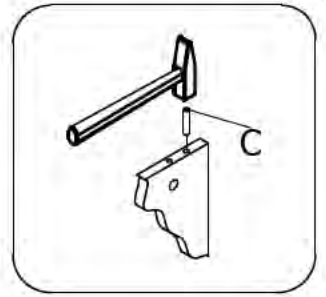
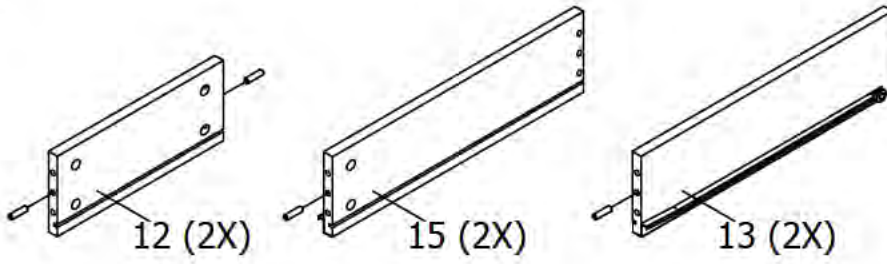
31.10.2022.

A		38X
B		38X
C		Ø8X30 30X
D		M6X25 7X
E		M6X50 7X
F		2,5x16 16X
G		M4X25 4X
H		2X
I		M6X10 2X
J		1X

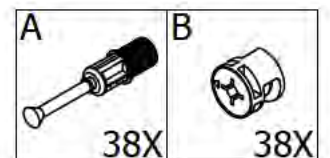
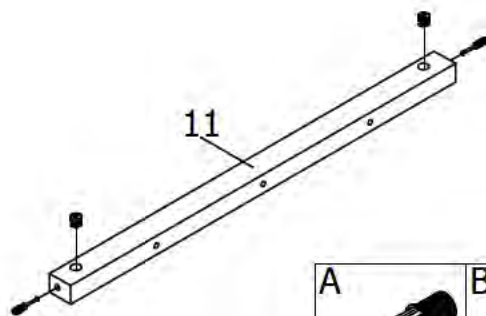
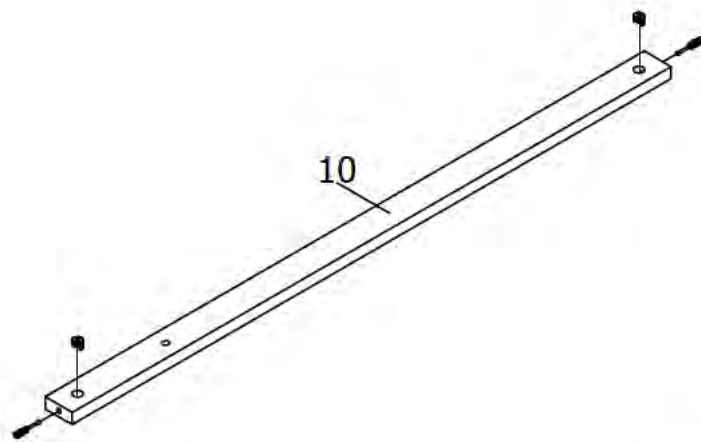
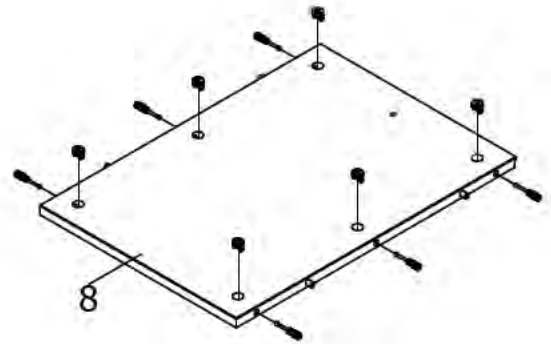
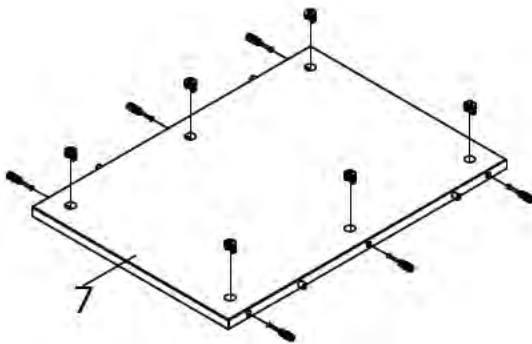
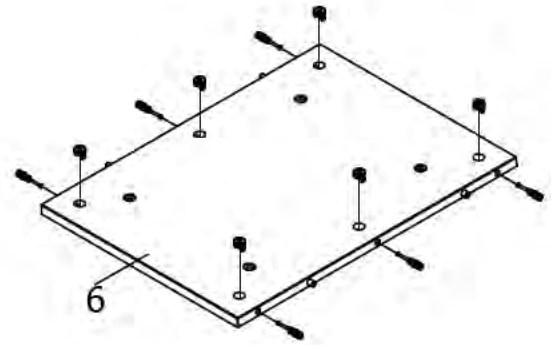
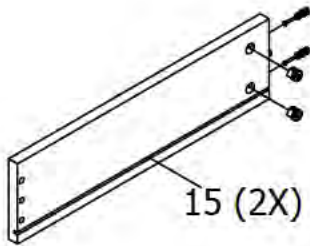
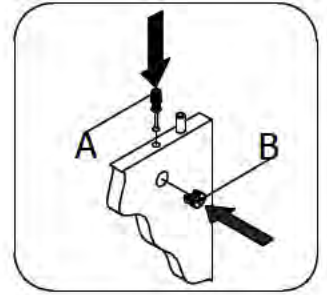
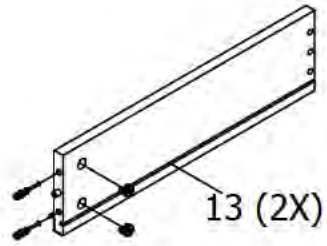
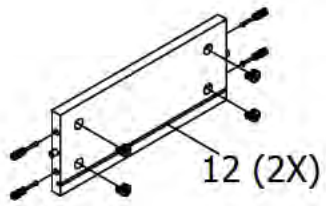




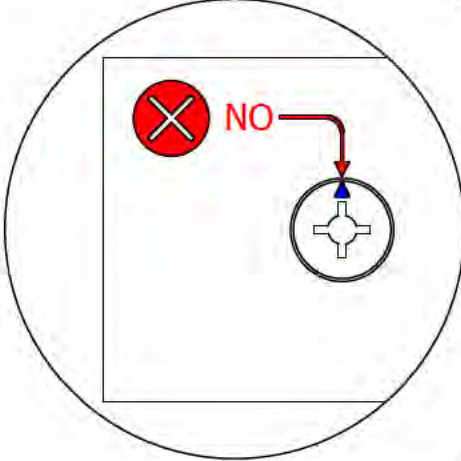
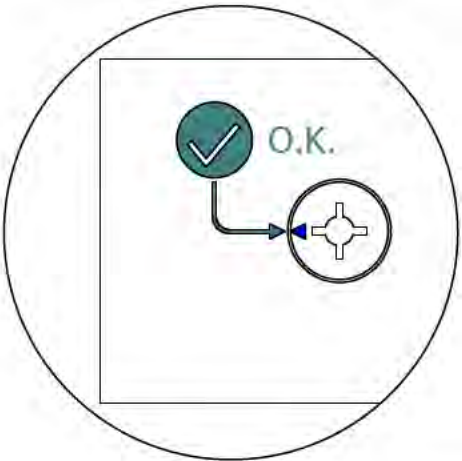
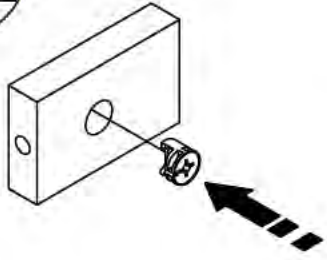
1



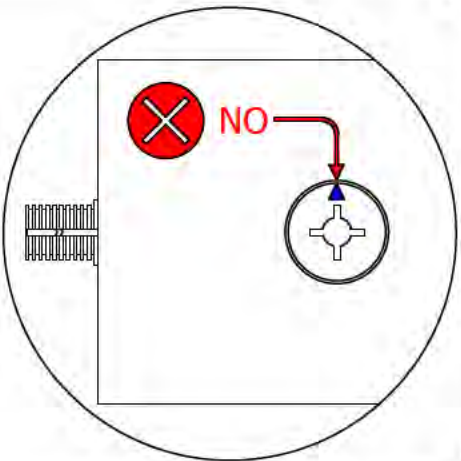
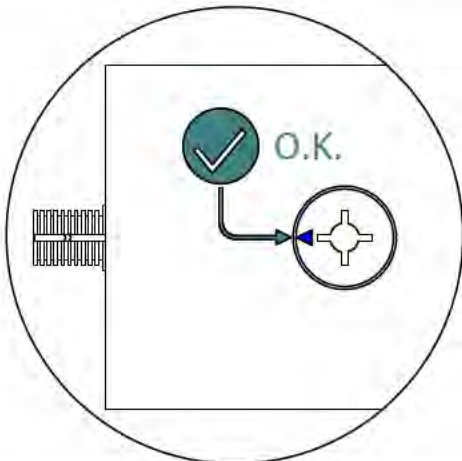
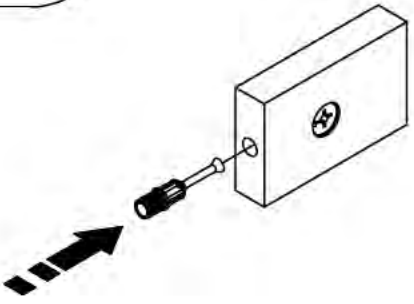
2



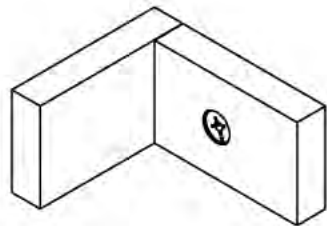
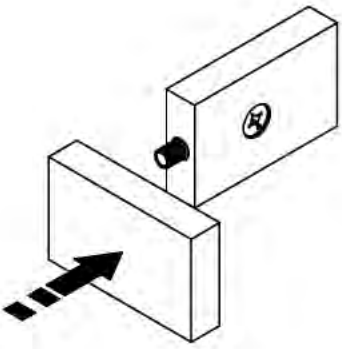
# 2.1



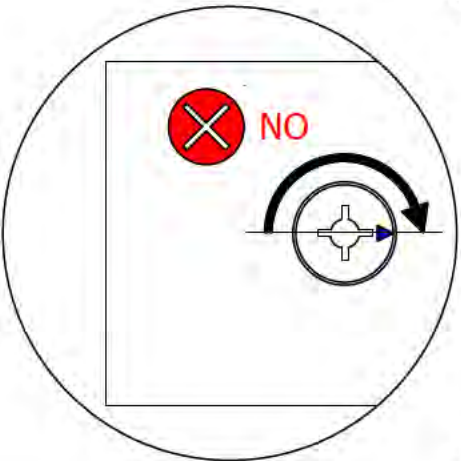
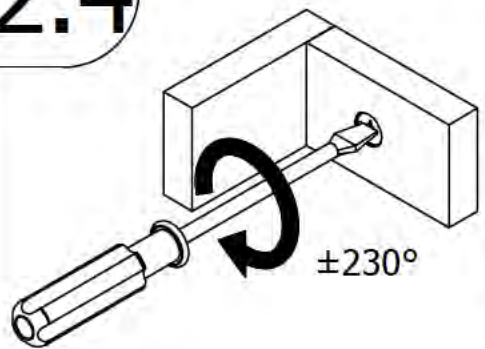
# 2.2



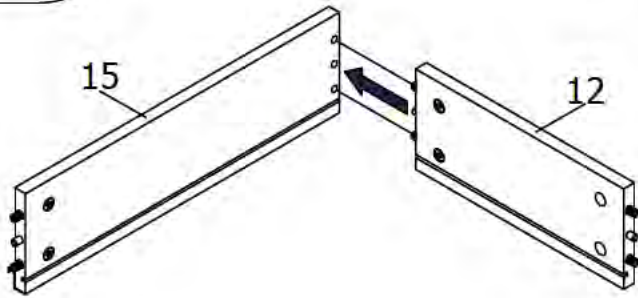
# 2.3



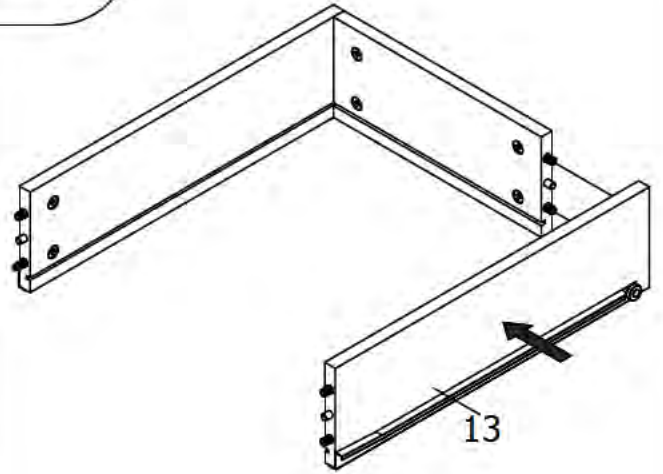
# 2.4



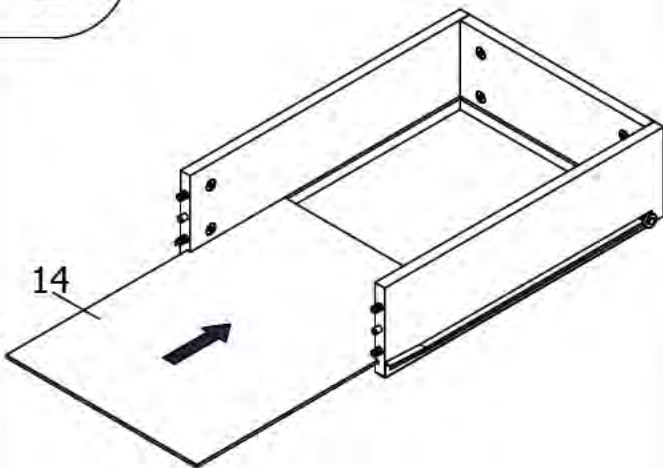
3



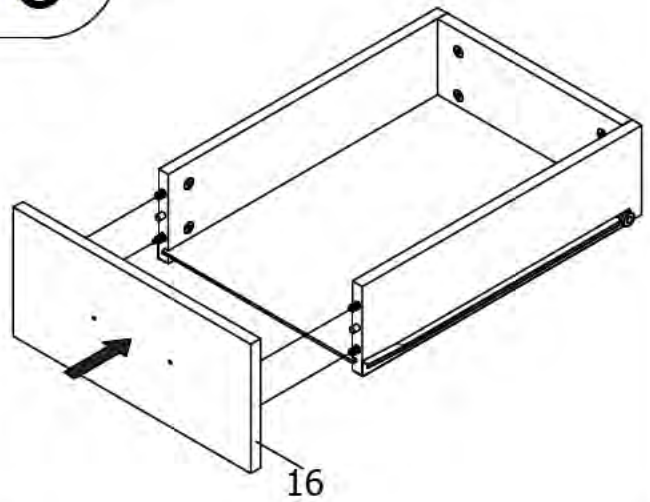
4



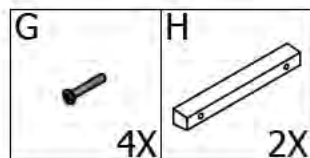
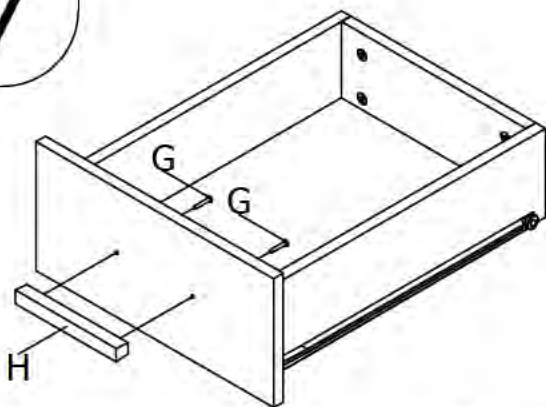
5



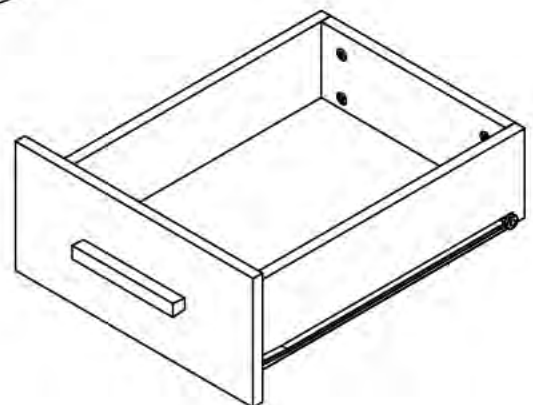
6

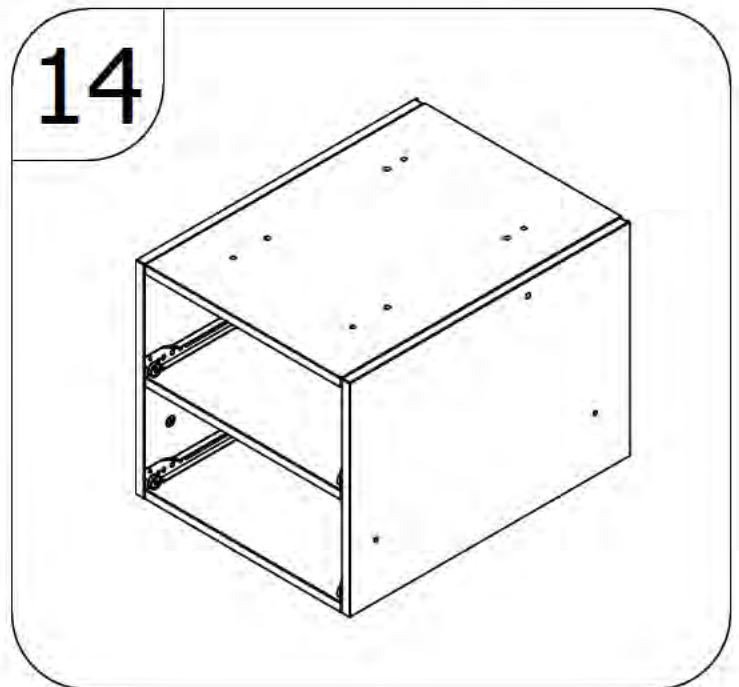
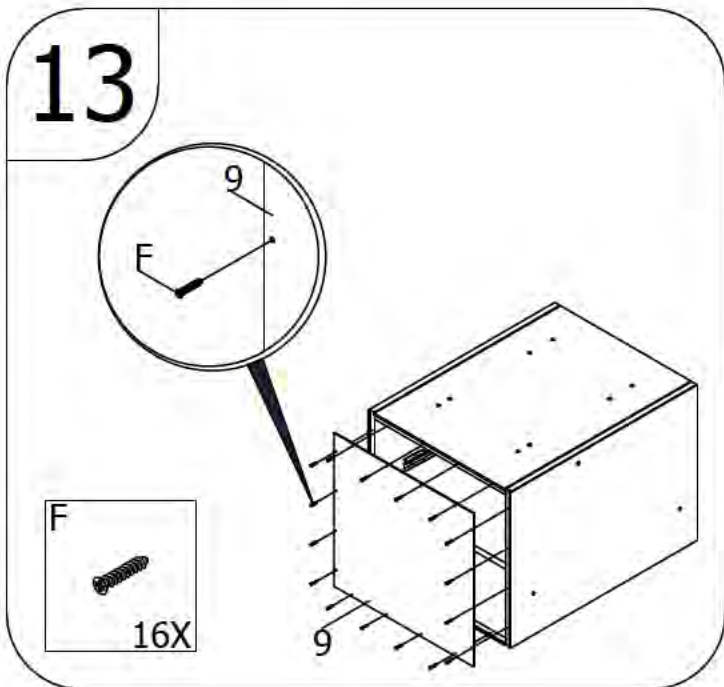
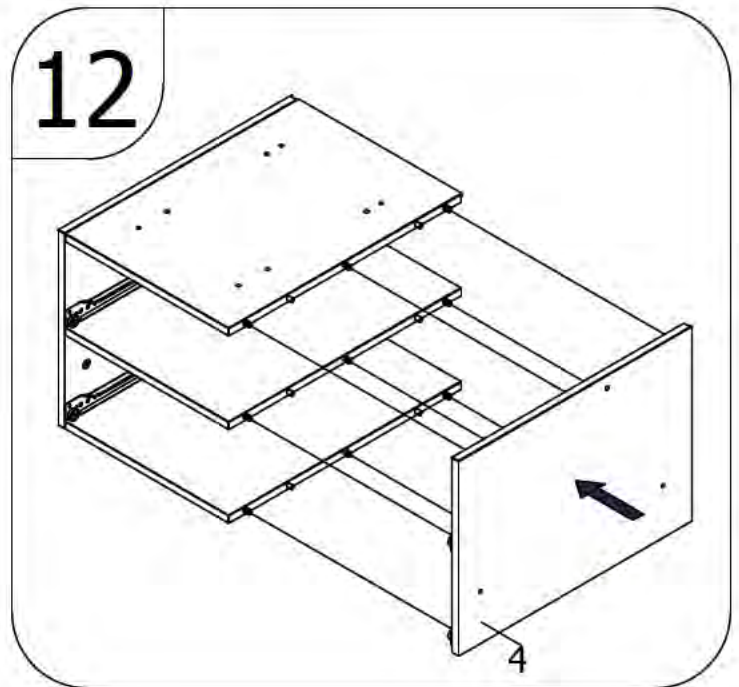
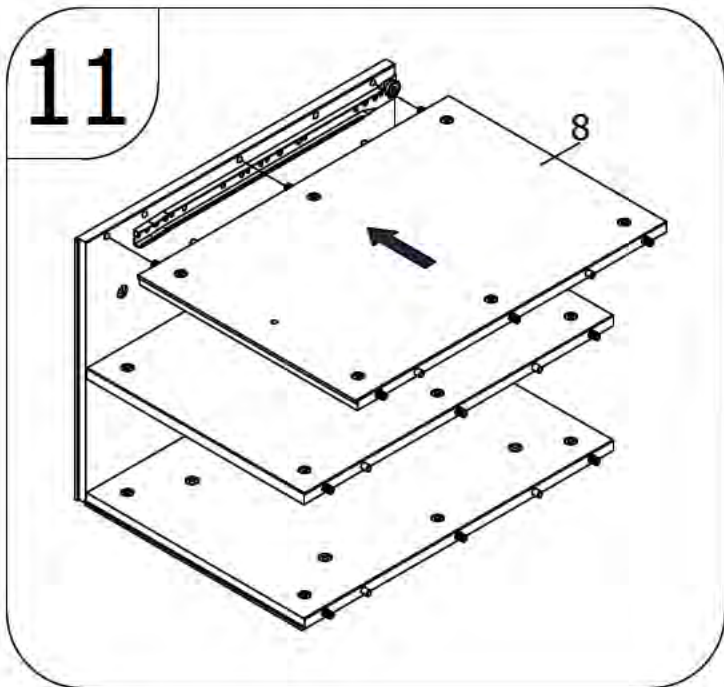
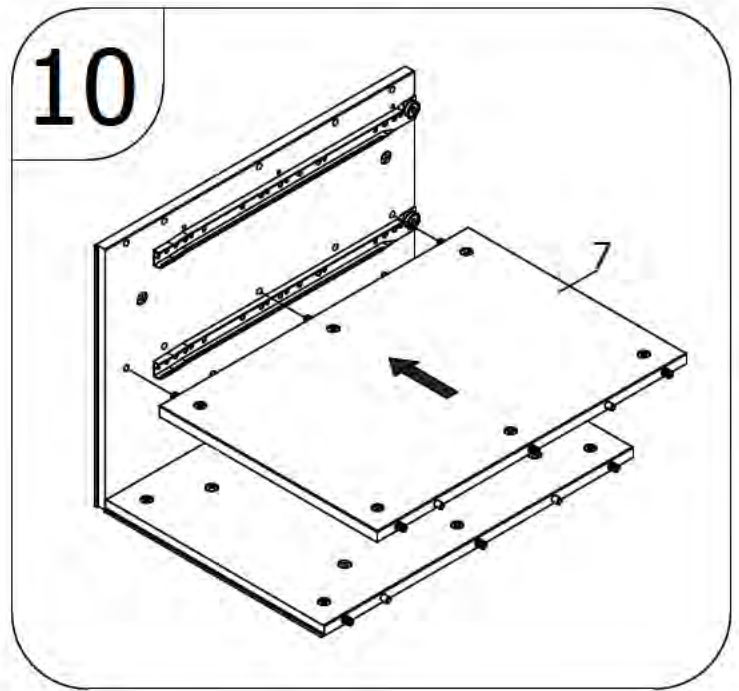
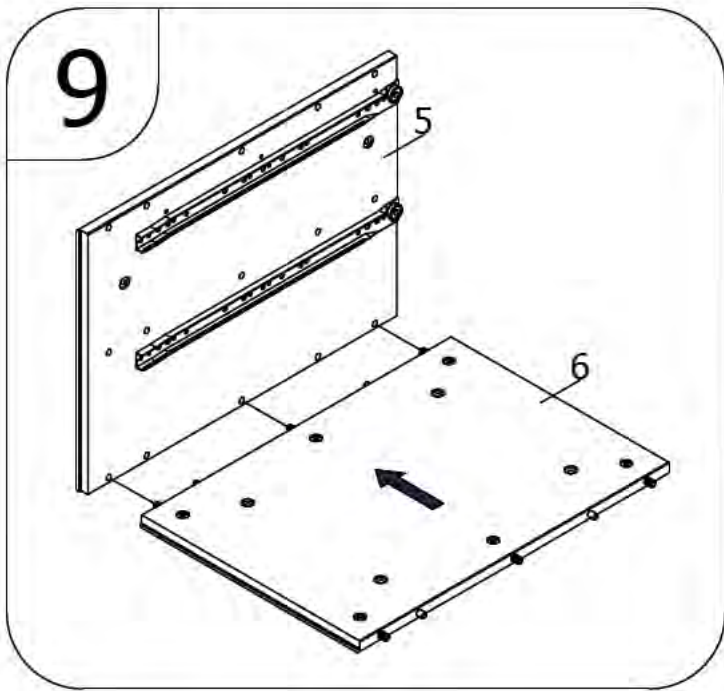


7



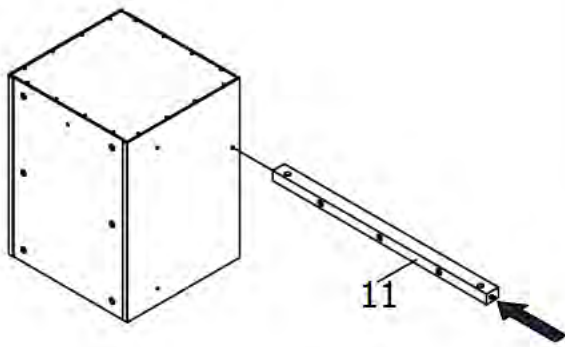
8



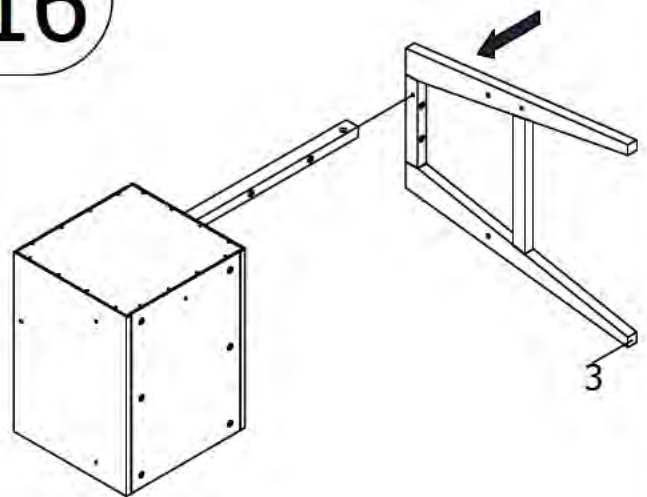




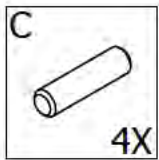
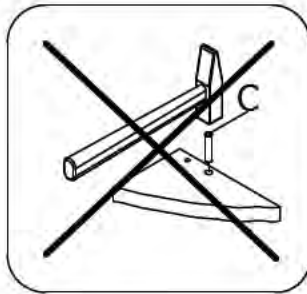
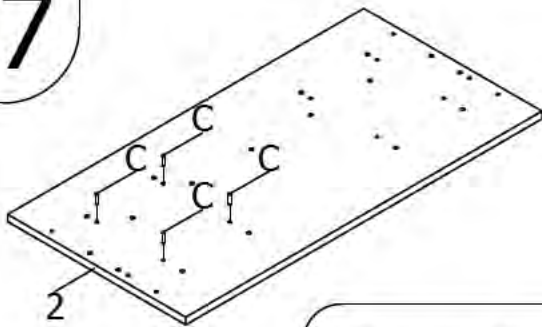
15



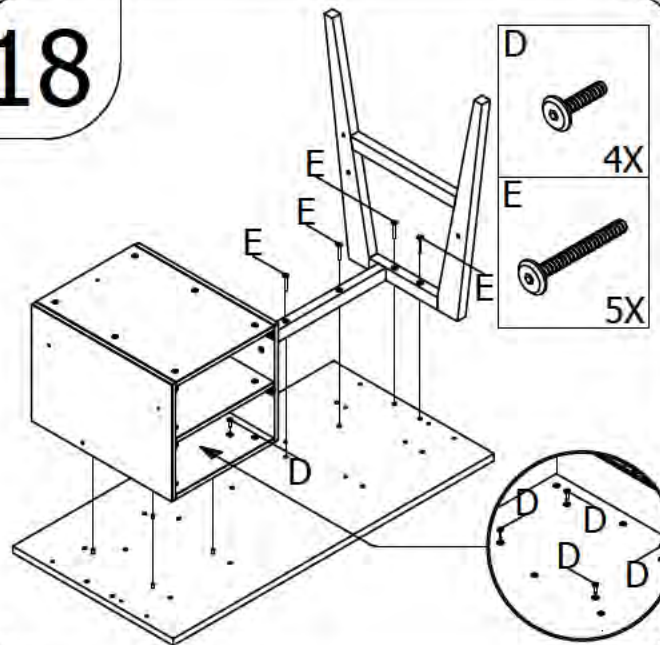
16



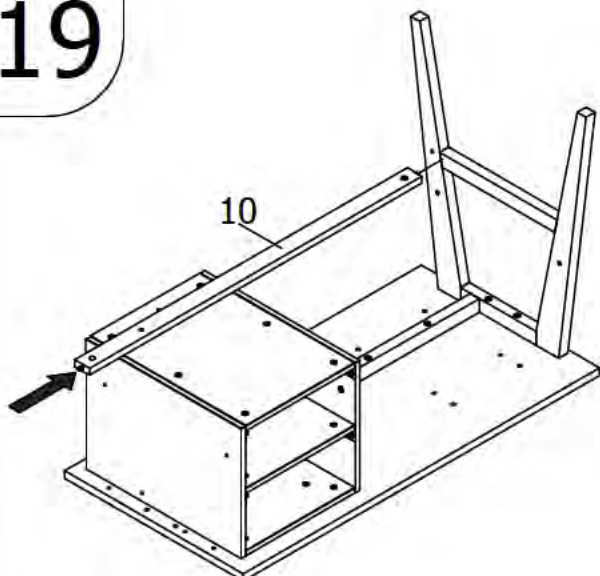
17



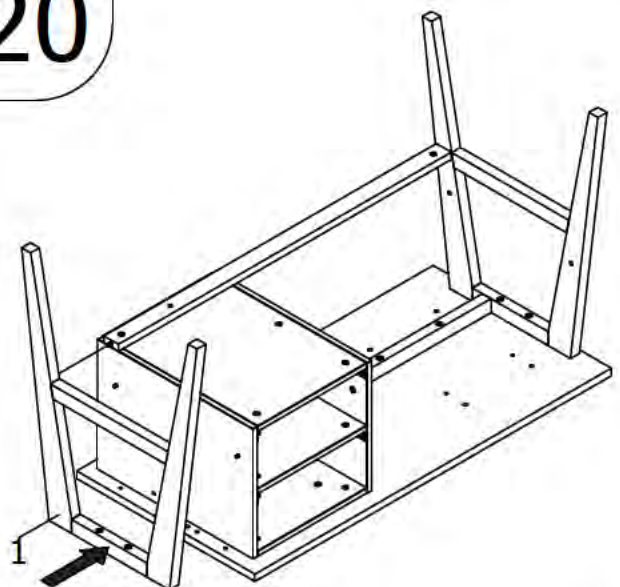
18



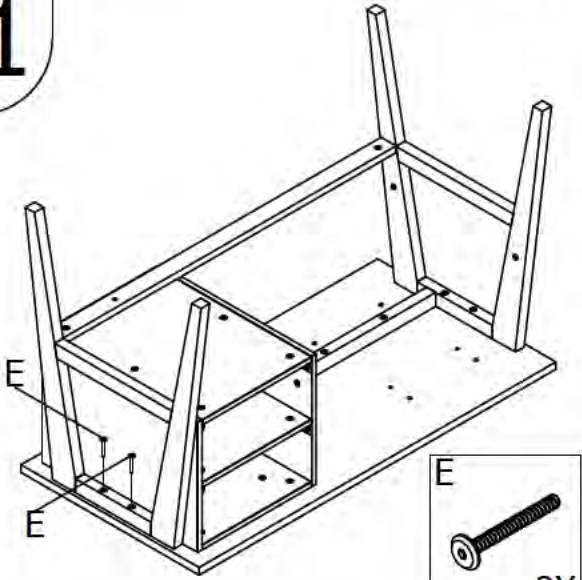
19



20



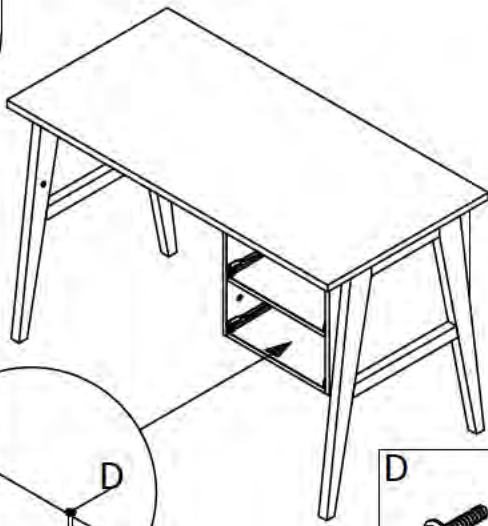
21



22



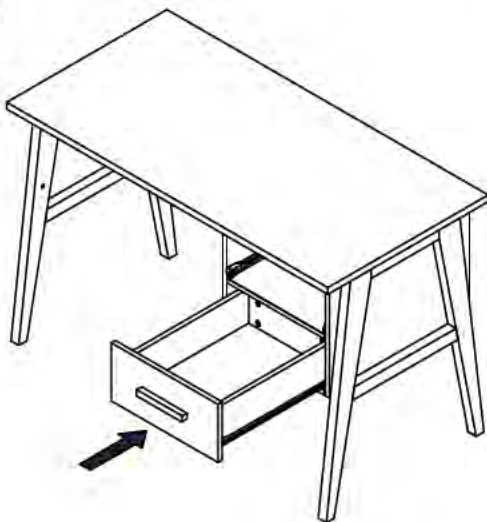
23



24



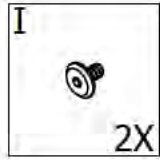
25



26



27



28

