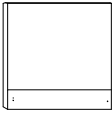
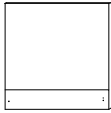
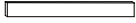
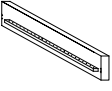




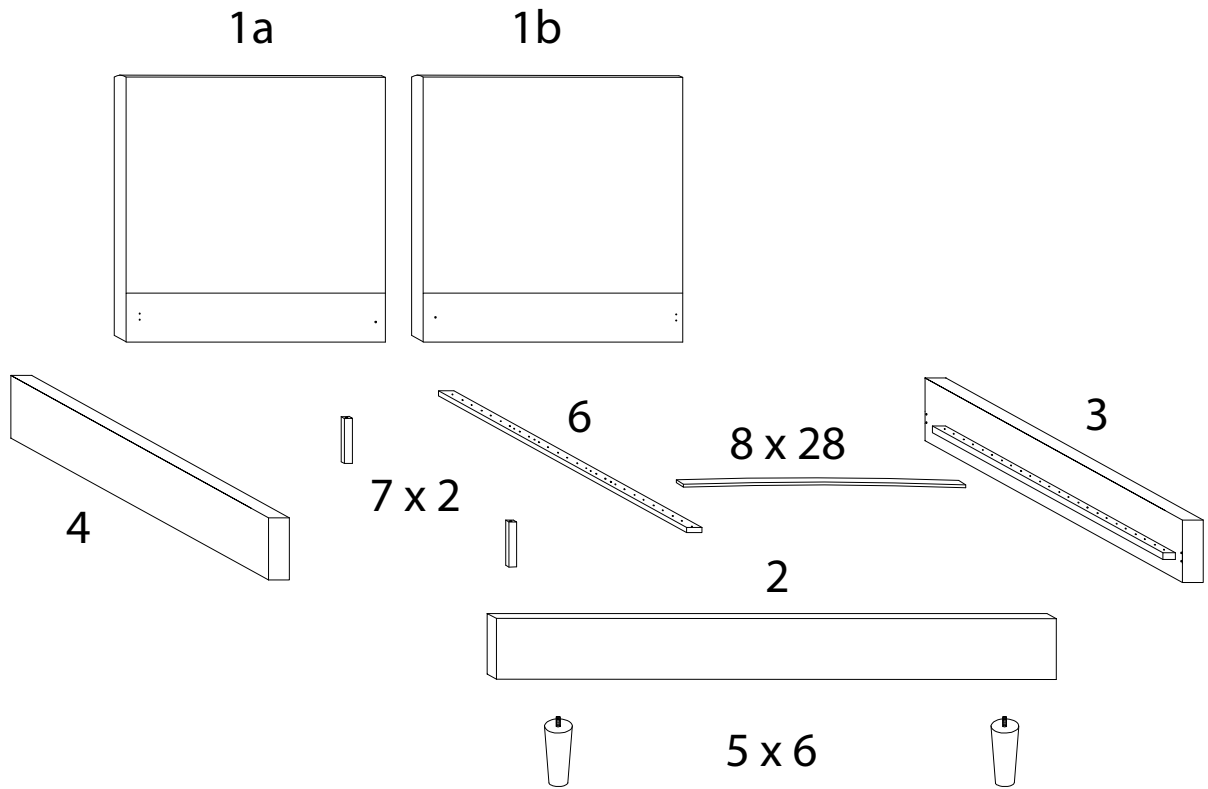

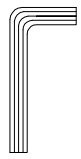
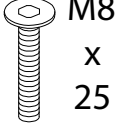
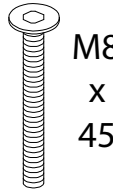

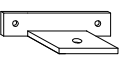
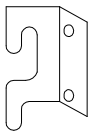
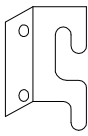



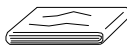
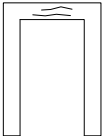


Diagram illustrating assembly steps and safety warnings:

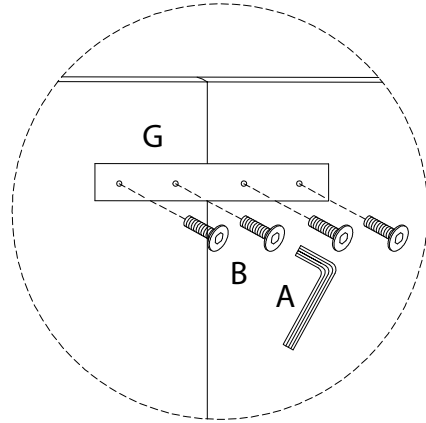
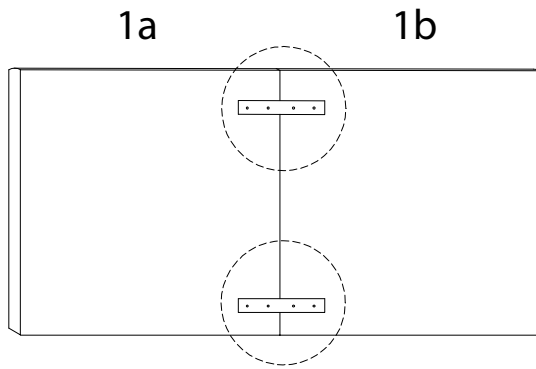
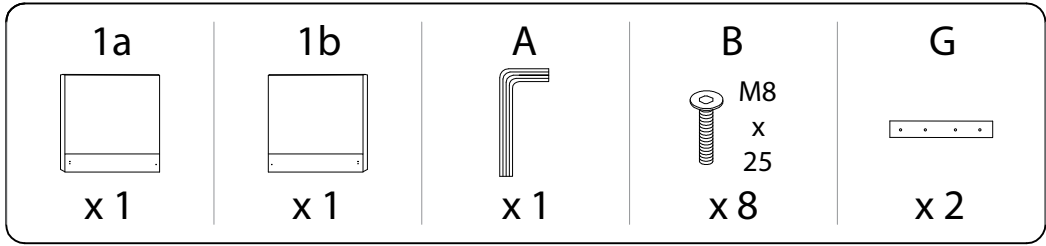
- Step 1:** Shows an L-shaped metal bracket being inserted into a slot on the side rail. A power drill is shown with a diagonal line through it, indicating that a power drill should not be used for this step. A warning triangle with an exclamation mark is positioned to the right.
- Step 2:** Shows a rectangular block being placed on a slatted surface. A power drill is shown with a diagonal line through it, indicating that a power drill should not be used. A warning triangle with an exclamation mark is positioned to the right.
- Time:** A clock icon indicates a time requirement of 30' (30 minutes).
- Personnel:** An icon of a person indicates that 2 people are required for assembly.

1a	1b	2	3	4	5	6	7
							
x 1	x 1	x 1	x 1	x 1	x 6	x 1	x 2

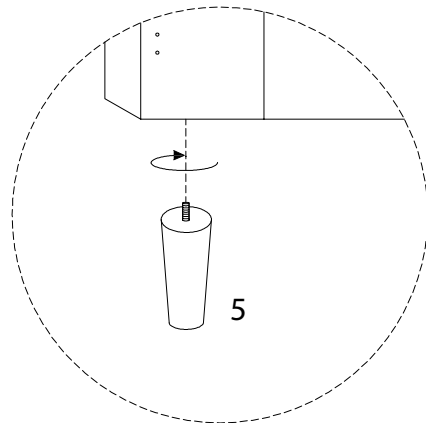
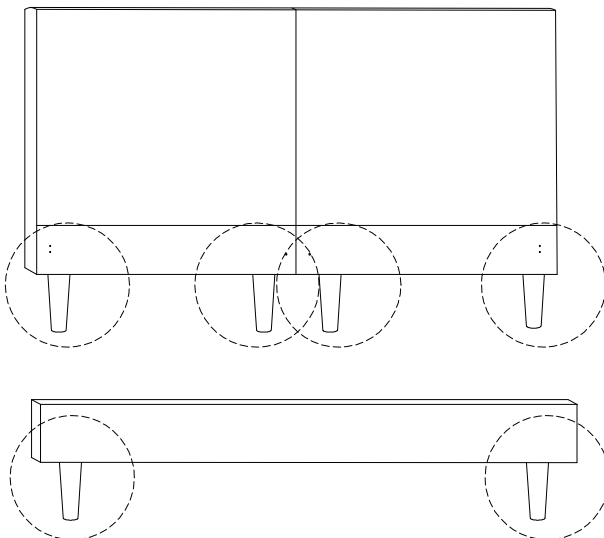
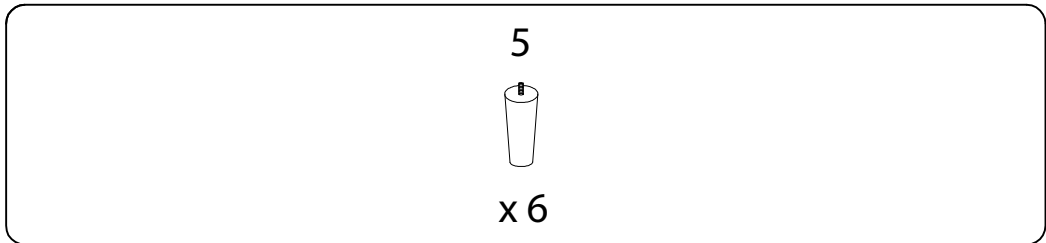


8	A	B	C	D	E	
						
x 28	x 1	x 28	x 2	x 2	x 2	
F1	F2	G	H	I	J	K
						
x 2	x 2	x 2	x 14	x 28	x 1	x 1

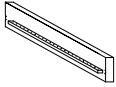


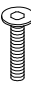
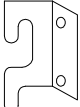
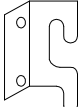
1

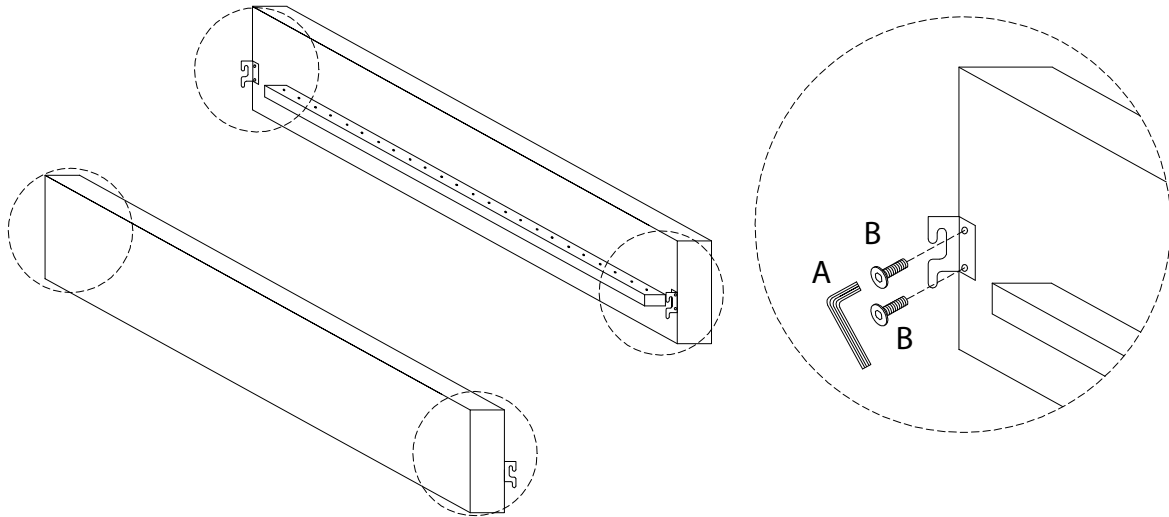


2


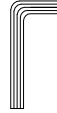
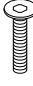


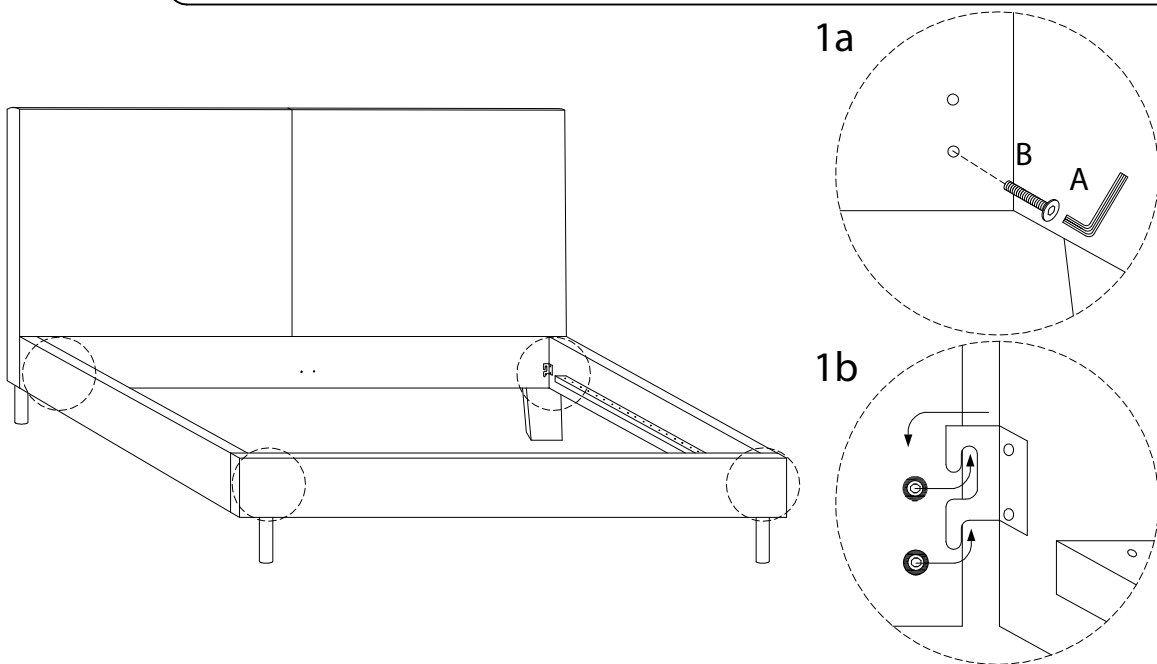
3

<b>3</b>  x 1	<b>4</b>  x 1	<b>A</b>  x 1	<b>B</b>  x 8	<b>F1</b>  x 2	<b>F2</b>  x 2
--	--	--	--	---	---



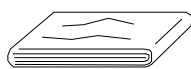
4

<b>2</b>  x 1	<b>A</b>  x 1	<b>B</b>  x 8
--	--	--

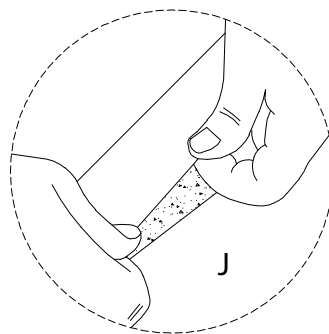
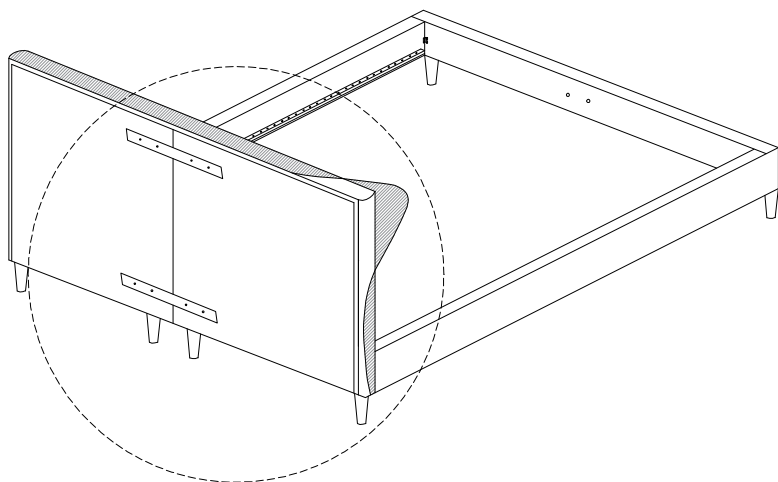


5

J

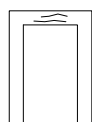


x 1

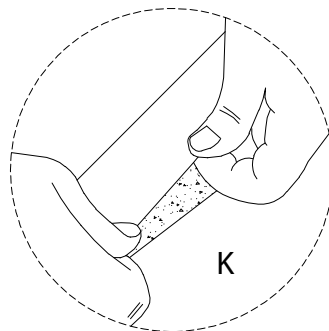
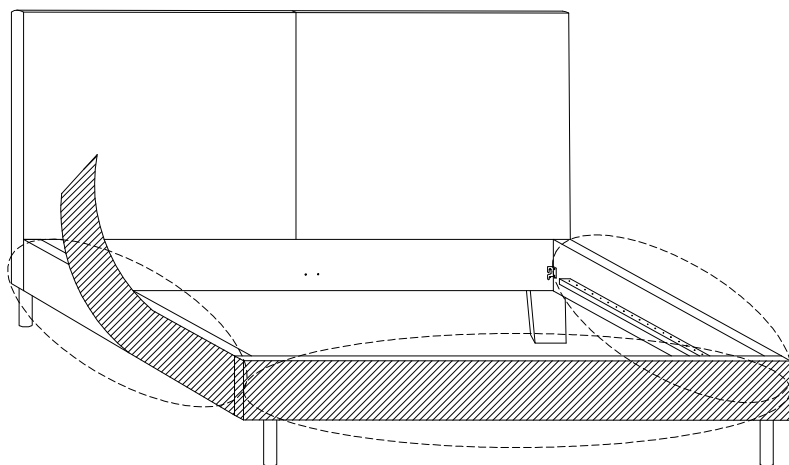


6


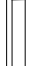

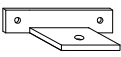
K

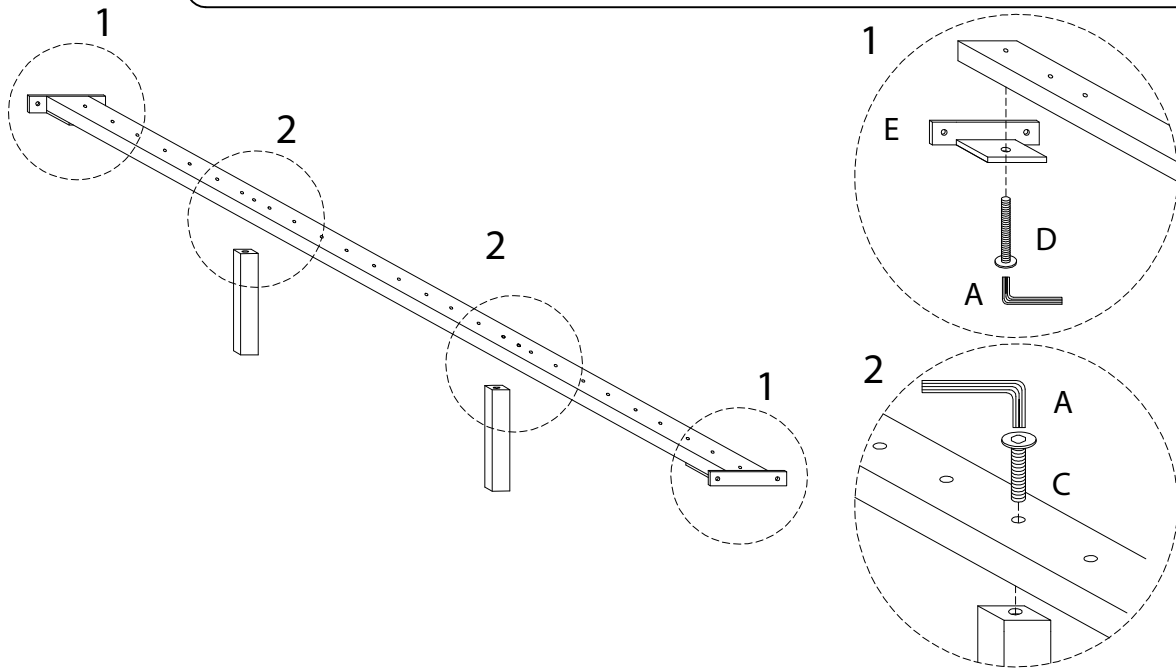


x 1




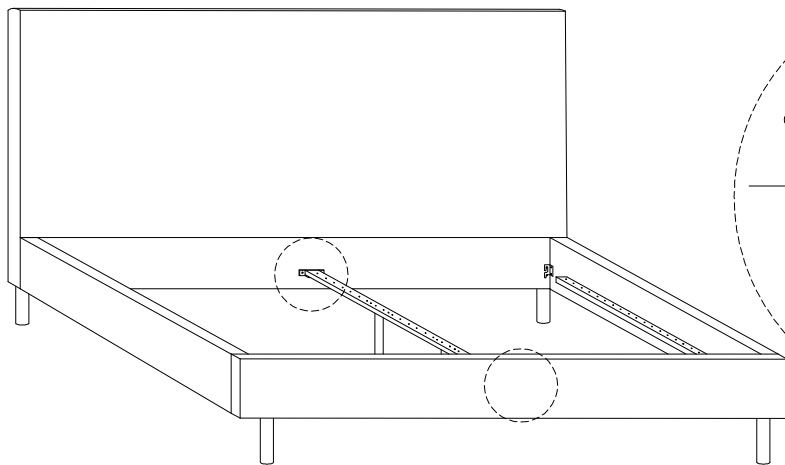
7

<b>6</b>  x 1	<b>7</b>  x 2	<b>A</b>  x 1	<b>C</b> M8 x 45 x 2	<b>D</b> M6 x 20 x 2	<b>E</b>  x 2
--	--	--	----------------------------------	----------------------------------	--

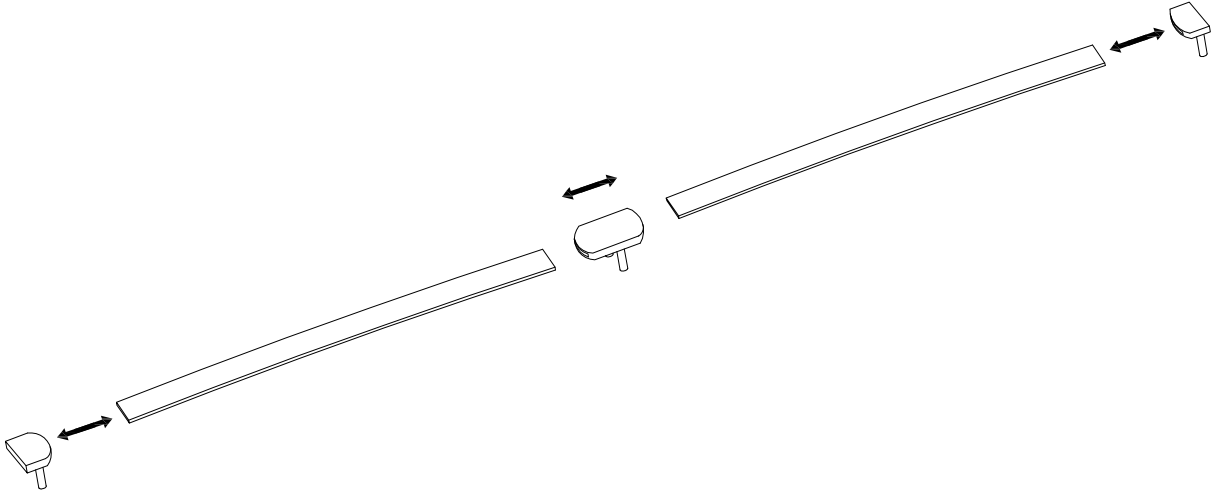
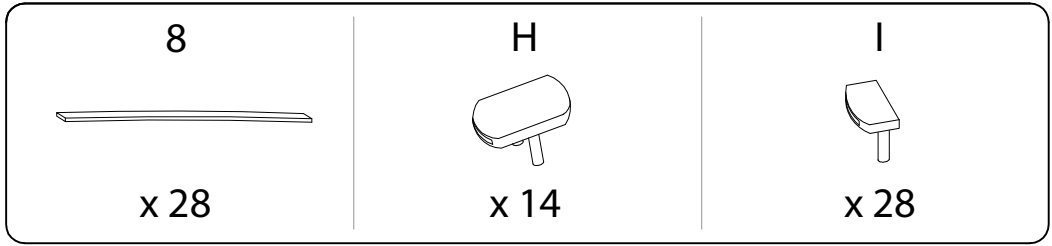


8

<b>A</b>  x 1	<b>B</b> M8 x 25 x 4
--	----------------------------------



9



10

