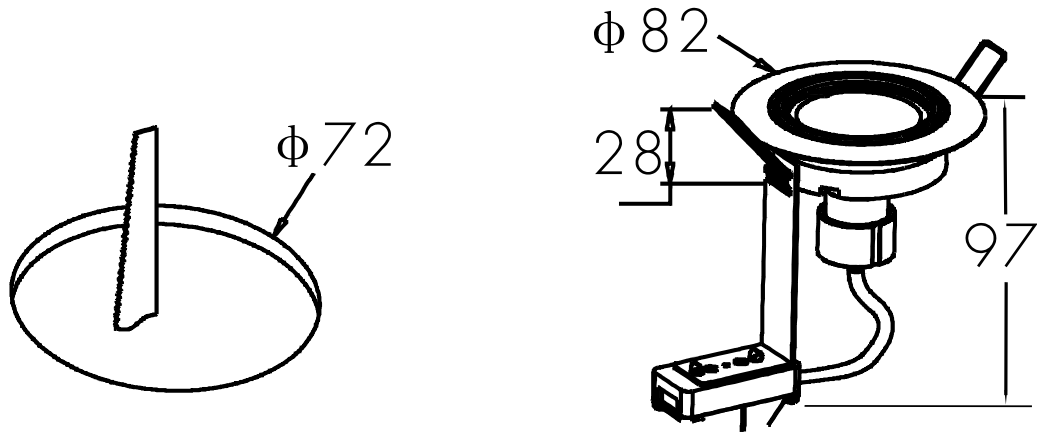
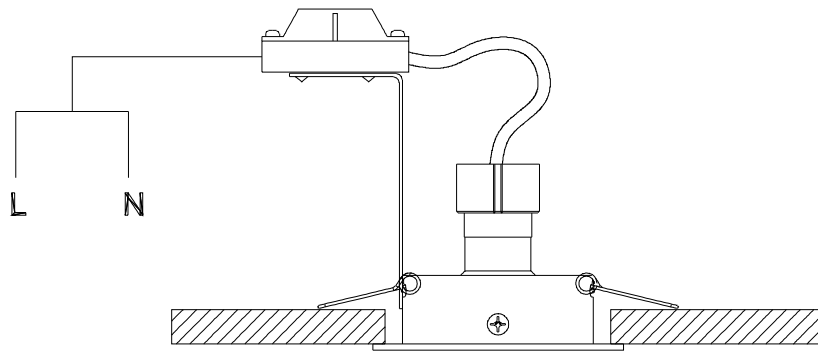


# INSTRUCTION MANUAL

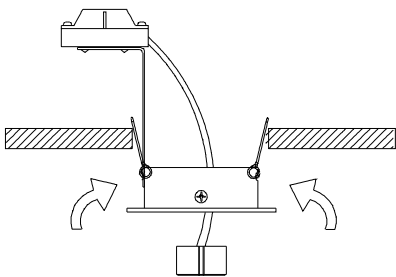
Edu DL Round White 45928  
Edu DL Round Brass 46385  
Edu DL Round Copper 91866



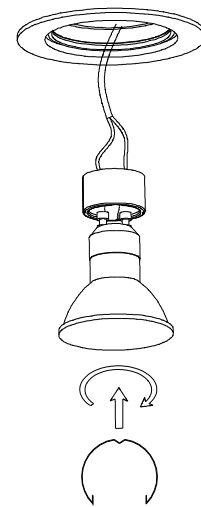
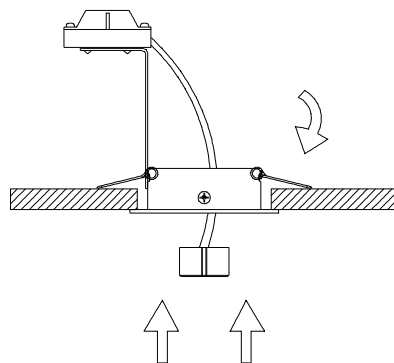
INPUT:AC220~240V



INPUT:AC220~240V



INPUT:AC220~240V



Gu10 1\*Max.50W