

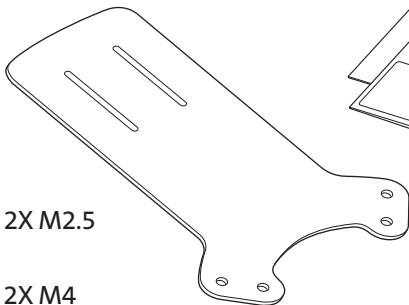
Kensington®

VESA Mount Plate

QUICK START GUIDE
GUIDE DE DEMARRAGE RAPIDE
KURZANLEITUNG
SNELSTARTGIDS
GUIDA RAPIDA
GUÍA RÁPIDA

GYORSKALAUZ
PŘÍRUČKA ZAČÍNÁME
SZYBKİ START
КРАТКОЕ РУКОВОДСТВО
ПОЛЬЗОВАТЕЛЯ
MANUAL DE INÍCIO RÁPIDO

دليل البدء السريع



2X M2.5



2X M4

Register Now!
Enregistrer maintenant !
Jetzt registrieren!
Nu registreren

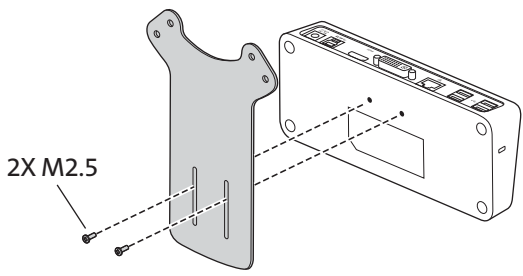
Registrar ahora
Registra adesso
Regisztráljon most!
Zaregistrujte se nyní!

Zarejestruj się!
Зарегистрироваться!
Registe-se agora!

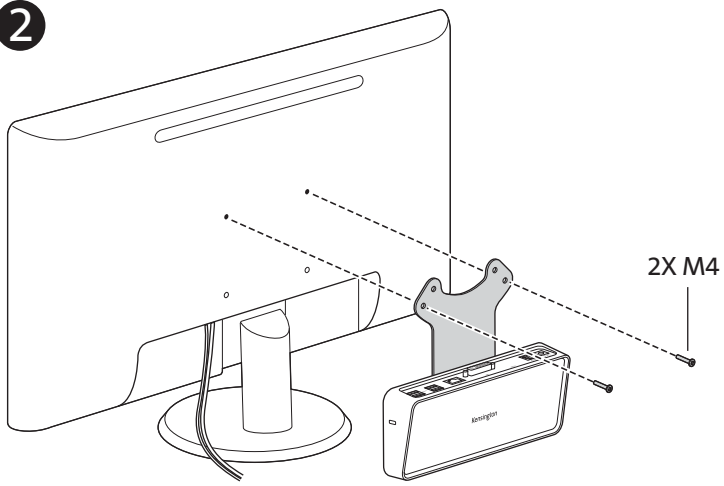
سجل الآن!

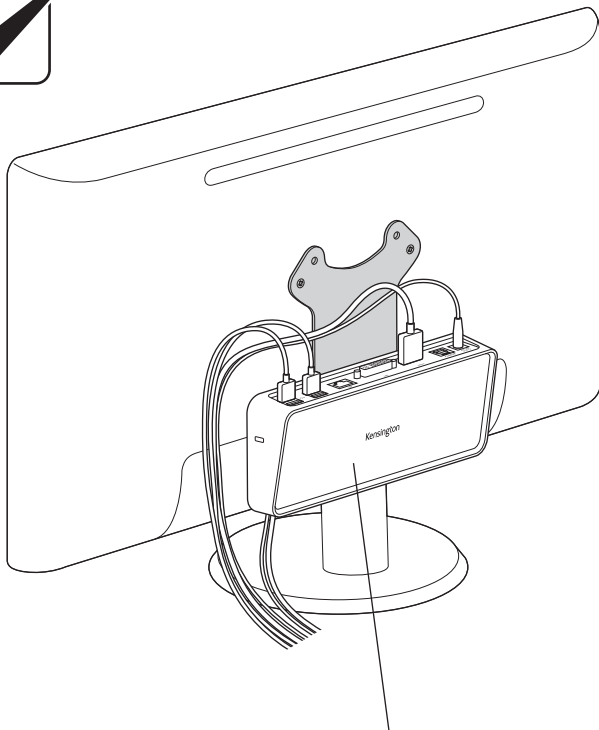
register.kensington.com

1



2





Sold separately / Vendus séparément / Separat erhältlich /
Los verkrijgbaar / Venduti separatamente / Venden por separado /
Külön kell megvásárolni / Prodávány samostatně / Sprzedawane
oddzielnie / продаются отдельно / Vendidos em separado /
يُباع بشكل منفصل

**Technical Support / Assistance technique / Technischer Support / Technische ondersteuning /
 Supporto tecnico / Asistencia técnica / Műszaki támogatás / Technická podpora /
 Помощь техничная / Техническая поддержка / Assistència tècnica / الدعم الفني**

Australia	1300 881 931	Nederland	010 713 1882
België / Belgique	02 401 2395	New Zealand	0800 539 26273
Brasil	14 3235-4003	Norway	80017520
Canada	1 800 268 3447	Österreich	0800 677 873
Denmark	80 250966	Polska	22 570 18 00
Deutschland	0692 222 3654	Portugal	800855802
España	911 146 735	Russia	007 495 933 5163
Finland	0800 9 15697	Schweiz / Suisse	044 580 6667
France	01 7671 0404	Sweden	08 5033 6577
Hungary	06 20 9430 612	United Kingdom	0203 364 5390
Ireland	01 431 1395	United States	1 800 535 4242
Italia	02 3604 7030	International Toll	+31 53 484 9135
México	55 15 00 57 00		

Kensington and the ACCO name and design are registered trademarks of ACCO Brands. All other registered and unregistered trademarks are the property of their respective owners.

©2015 Kensington Computer Products Group, a division of ACCO Brands. Any unauthorized copying, duplicating, or other reproduction of the contents hereof is prohibited without written consent from Kensington Computer Products Group. All rights reserved. 09/15



Kensington Computer Products Group
A Division of ACCO Brands
 1500 Fashion Island Blvd, 3rd Floor
 San Mateo, CA 94404



ACCO Brands Europe
 A Division of ACCO Brands Europe
 Oxford House, Oxford Road
 Aylesbury, Buckinghamshire,
 HP21 8SZ
 United Kingdom

**Importado por ACCO Mexicana
 S.A. de C.V.**
 Circuito de la Industria Norte # 6,
 Corredor Industrial Toluca Lerma,
 Lerma México Cp. 52004
 R.F.C. AME640229-1W3

ACCO Brands Canada Inc
 7381 Bramalea Rd
 Mississauga,
 ON L5S 1C4

Acco Brands Chile S.A.,
 Avda. San Josemaría
 Escrivá de Balaguer Nº5773
 Vitacura, C.P. 7640870
 Santiago, Chile

ACCO Australia
 Level 2, 8 Lord St
 Botany NSW 2019
 Australia

Importado e Distribuído por:
TILIBRA PRODUTOS DE PAPELARIA LTDA.
 CNPJ: 44.990.901/0001-43
 Rua Aymorés, 6-9 – Bauru/SP – Brasil
 CEP 17013-900
www.kensington.com.br