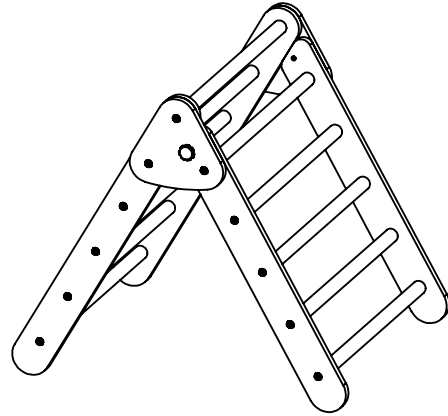




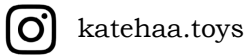
KateHaa Wooden Toys | Learn, Play and Explore

# CLIMBING TRIANGLE

## ASSEMBLING INSTRUCTION



FOLLOW US ON:

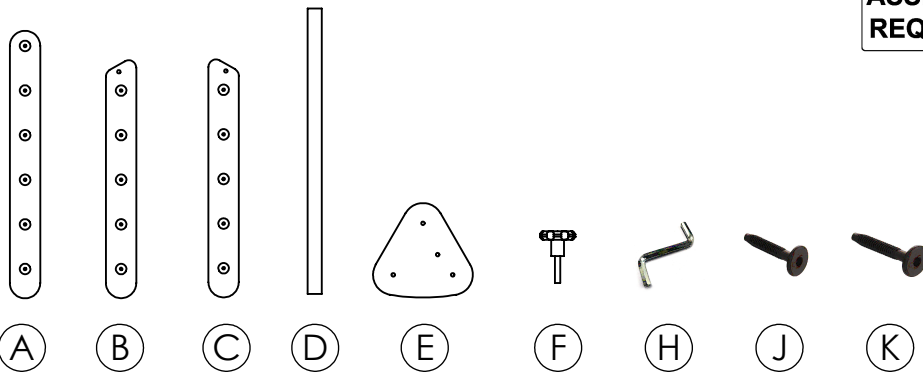


Made in Latvia  
SIA KateHaa  
Annas iela 18, Ikšķile, Ogres nov., LV-5052  
Phone: +371 26330044  
Email: info@katehaa.com  
WEB: www.katehaa.com



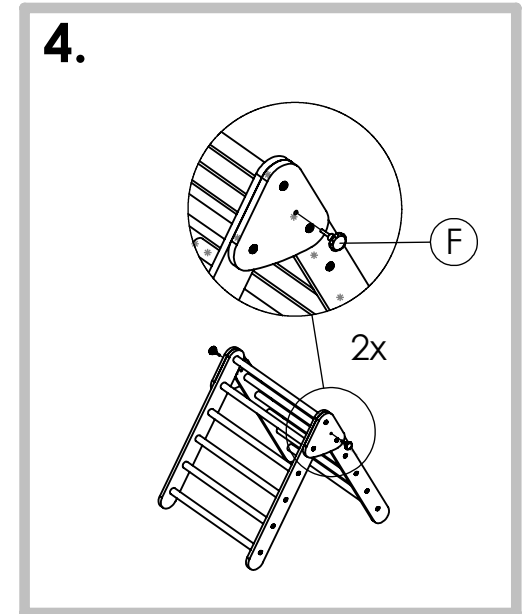
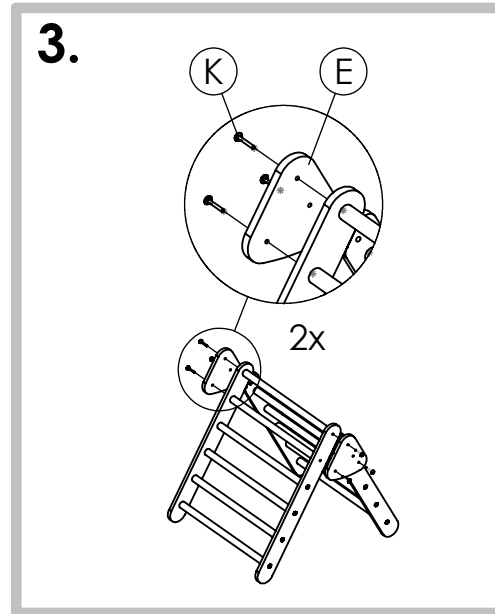
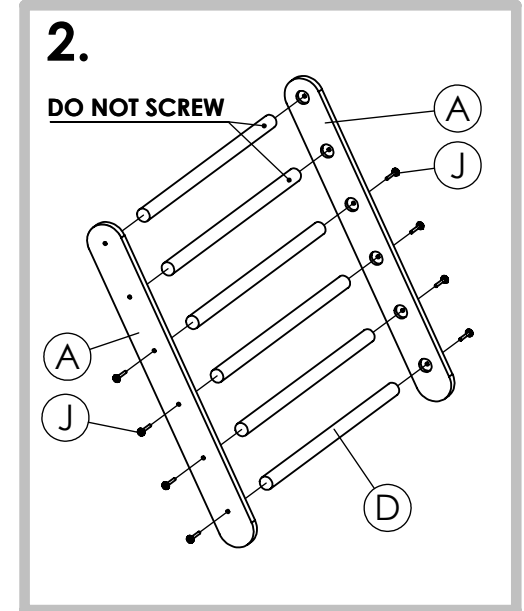
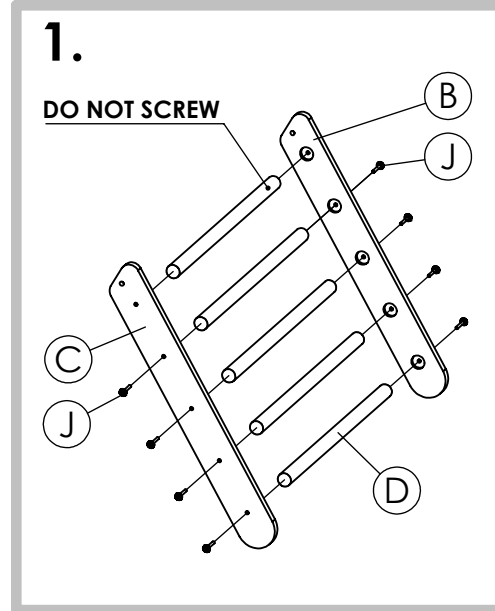
ADULT  
ASSEMBLY  
REQUIRED

The package contains:



- A - WOODEN SIDES (x2)
- B - WOODEN SIDE (x1)
- C - WOODEN SIDE (x1)
- D - WOODEN BARS (x11)
- E - FOLDING BLOCK (x2)
- F - THUMB SCREWS (x2)
- H - ALLEN KEY (x1)
- J - SHORT FLAT HEAD SCREWS (x16)
- K - LONG FLAT HEAD SCREWS (x6)

For assembling please follow these steps:



- Note:
- Use ALLEN KEY (H) to screw the SCREWS (J) and (K) into the predrilled holes.
  - Use your hand to hold the WOODEN BARS (D) during tightened the SCREWS.
  - WOODEN BARS (D) are not allowed to constantly turn around during tightened the SCREWS.
  - For easier assembly we recommend in steps 1. and 2. - at first screw in all the SCREWS (J) till half. When ALL SCREWS (J) is tightened till half, tighten them completely.

