

IT	CAPPE - MANUALE ISTRUZIONE PER L'USO
EN	HOODS - INSTRUCTION MANUAL
DE	HAUBEN - BETRIEBSANLEITUNG
FR	HOTTES - MANUEL D'INSTALLATION

257130	258100	264130	265100
257140	258120	264140	265120
257150	258140	264150	265140
257160	258160	264160	265160
257170	258180	264170	265180
257180	258200	264180	265200
257200		264200	265220
		264220	

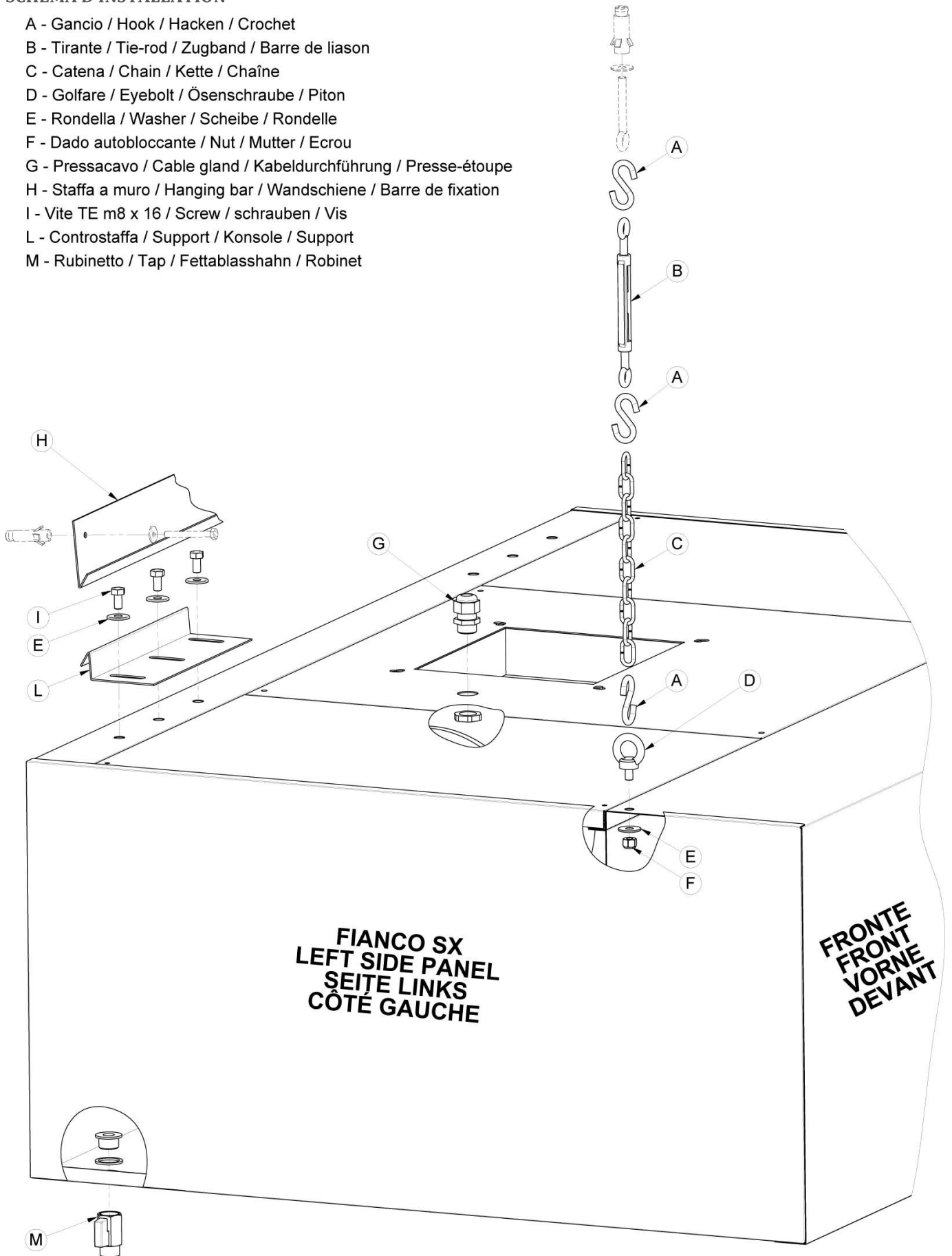


ISTRUZIONI ORIGINALI/ORIGINAL INSTRUCTIONS/ORIGINALBETRIEBSANLEITUNG /INSTRUCTIONS ORIGINAUX

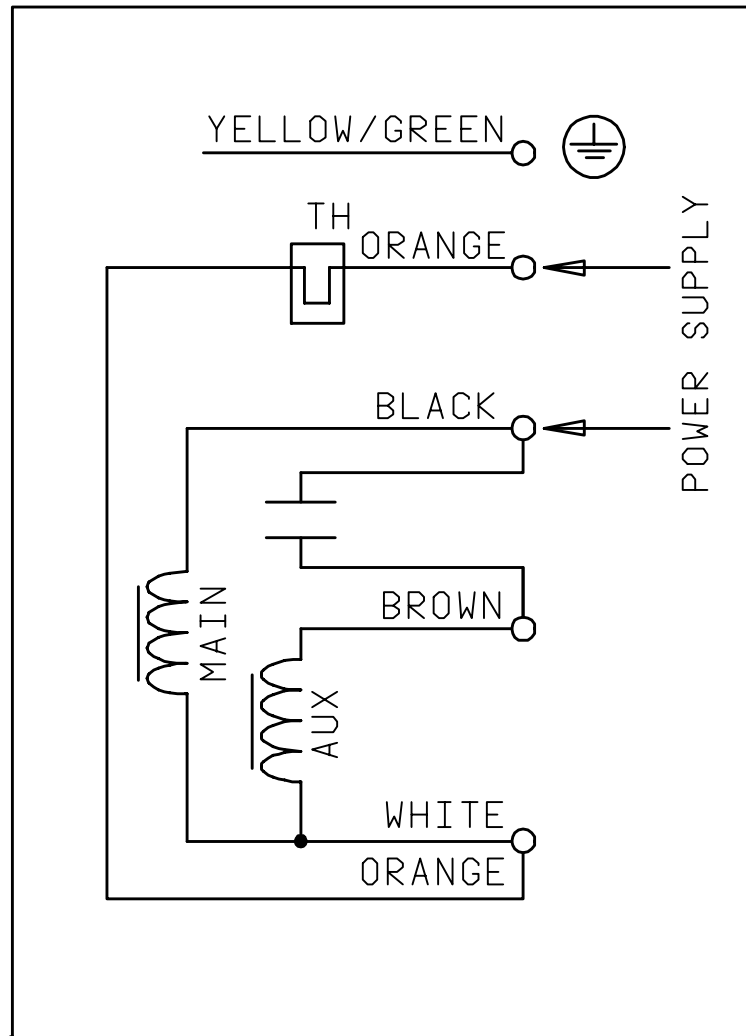
ATTENZIONE!: prima di utilizzare l'apparecchio leggere attentamente le istruzioni
WARNING!: read carefully the instructions before using the appliance
ACHTUNG!: vor der Anwendung lesen Sie bitte die aufgeführten Hinweise aufmerksam
ATTENTION!: avant d'utiliser l'appareil merci de lire les instructions

SCHEMA DI INSTALLAZIONE
INSTALLATION DIAGRAM
INSTALLATIONSPLAN
SCHEMA D'INSTALLATION

- A - Gancio / Hook / Hacken / Crochet
- B - Tirante / Tie-rod / Zugband / Barre de liaison
- C - Catena / Chain / Kette / Chaîne
- D - Golfare / Eyebolt / Ösenschraube / Piton
- E - Rondella / Washer / Scheibe / Rondelle
- F - Dado autobloccante / Nut / Mutter / Ecrou
- G - Pressacavo / Cable gland / Kabeldurchführung / Presse-étoupe
- H - Staffa a muro / Hanging bar / Wandschiene / Barre de fixation
- I - Vite TE m8 x 16 / Screw / schrauben / Vis
- L - Controstaffa / Support / Konsole / Support
- M - Rubinetto / Tap / Fettablasshahn / Robinet



SCHEMA ELETTRICO
WIRING DIAGRAM
SCHALTPLAN
CABLAGE



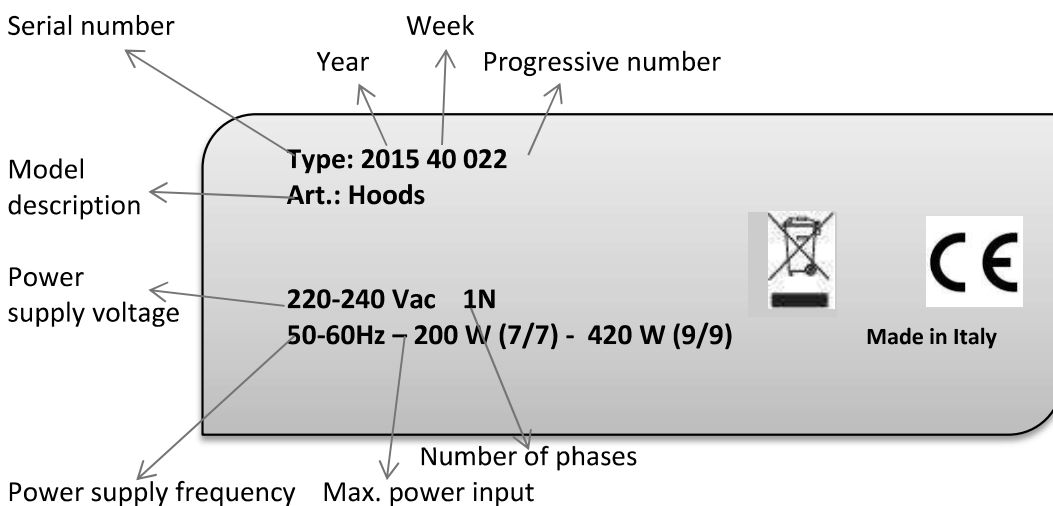
1. INTRODUCTION
2. TECHNICAL DATA
3. INSTALLATION AND COMMISSIONING
4. MAIN RULES
5. USE OF THE APPLIANCE
6. DISPOSAL AND RECYCLING OF THE APPLIANCE

1. INTRODUCTION

This section shows the symbols and provides information about the model of the appliance, the various responsibilities and the copyright. It concerns hoods.

For further information refer to paragraph "Technical data" (2).

DATA PLATE



- The data plate shows the identification and technical data of the product.
- The data plate is outside the appliance on the lower part of the right side.



WARNING!

- Do not remove, tamper with or erase the "CE" mark of the appliance.
- Refer to the data on the "CE" plate of the appliance in all communication with the Manufacturer (for example: when asking for spare parts, etc..)
- The "CE" plate has to be destroyed while scraping the appliance.

The present handbook is intended solely for consultation by the operator. Its content could be modified without notice. The Manufacturer reserves the right to stop the manufacturing of any model and/or introducing product changes but is not obliged to change products delivered before the modification and declines all responsibilities for any inaccuracy may appear on this handbook related to printing or translation mistakes.

The company cannot assume liability for damage and faulty operation due to:

- Failure to obey the instructions of this handbook;
- Modification or appliance alteration;
- Maintenance by unspecialized technicians ;
- Insufficient maintenance;

- Improper use of the appliance;
- Exceptional and unforeseeable events;
- Unrespect to domestic legislation on health, hygiene and safety at the workplace;
- The employer is responsible for the periodic training of the operators about the correct use, safety rules and fire prevention.

2. TECHNICAL DATA

HOODS

Supply voltage	V	220-240
Frequency	Hz	50-60
Max. power input	W (7/7) (9/9)	200/420
Max. current requirement	A (7/7) (9/9)	2/3,15
Max. supply Voltage variation		+/- 10%
Max. Frequency variation	continuous	+/-1%
Max. Frequency variation	Short period	+/- 2%



WARNING!

- The electric power system and the rooms where the appliance is placed have to respect domestic legislation on safety, accident prevention and fire regulations. On the contrary the Manufacturer won't assume liability for direct and indirect damages to people or things.



3. INSTALLATION AND COMMISSIONING



WARNING!

- Intervention on the electric power system must be solely performed by specialized electricians.

Proceed according to the following instruction before connecting the appliance:

- Remove the packaging and then the protective film taking care not to scratch the surface;
- Do not push or pull the appliance to avoid its overturning;
- Appliances must be moved using a fork lift trolley. Insert forks under the pallet and move the appliance taking care that the load is properly balanced;
- Place the appliance in order to grant its stability. If necessary carry out masonry reinforcement work, take into consideration that the height between the floor and the hood lower part is 1900/2000 mm and that the perimeter of the hood must protrude by at least 200 mm with respect to the area of cooking appliances;
- The hood can be installed using the plugs and the chains supplied. If the ceiling is made by hollow brick, resin plugs (not supplied) must be used.



WARNING!

- Plugs and chains are supplied to support only the weight of the hood.

- Mark the ceiling or the wall for plugs' fitting and drill;
- Fit the plugs and adjust chains' length;
- Fix eyebolts directly to the hood through the holes which have been already prepared;
- Connect eyebolts trough the chains and "S" hooks;
- The hood must be connected to an efficient flue directly to the outside having an adequate size based on the hood extraction capacity;
- Make sure the power supply of the appliance shown on the data plate is compatible with the grid voltage;
- Check the power supply of the system is set up and able to take the current load, and meets the legal requirements and domestic standards;
- The appliance must be earthed;
- In case of direct connection to the electricity grid (without plug), it's necessary providing for a wall switch or a contactor, which grant the complete disconnection according to overvoltage III rate and accordingly to installation rules;

- The speed regulator, supplied as an accessory, must be placed in an easily accessed place, protected against impacts and away from heat sources. For connection, comply with the diagram given inside the regulator;
- Lamps, supplied separately, have to be connected to the cable (220 V single phase);
- Have the system tested by a qualified electrician, if operation of the equipotential earth connection or the safety of the electrical system is in doubt, the symbol below identifies the equipotential connection:



The Manufacturer declines all responsibilities in case of connection made by the user or unspecialized staff



WARNING!

- After installation dispose of the packaging according to current regulations.

This appliance is designed and optimized to ensure high performance and efficiency. The sole use of this appliance is to draw smoke during cooking. Any other use is not permitted (e.g. heating food).



WARNING!

- Use always suitable safety equipment while handling objects
- To ensure efficient operation, install the hood in an adequately ventilated placed.

4. MAIN RULES

The Manufacturer does not assume responsibility for faults or damage due to tampering the appliance. This appliance must be used by skilled persons that must be periodically trained for its correct use and according to the safety regulations and prevention of accidents. Contact with hot tableware in the appliance can cause health risks. In order to prevent them use safety equipment and act with suitable caution.



WARNING!

- Intervention on the electric power system must be solely performed by specialized electricians.

5. USE OF THE APPLIANCE

Press the main switch on the supply panel that powers the appliance.

Check the efficiency of the system according to the various required specifications (electrical input, air flow, efficiency of wash system, light operation check, etc.)

Switch off finally the main power supply line ahead of the appliance.

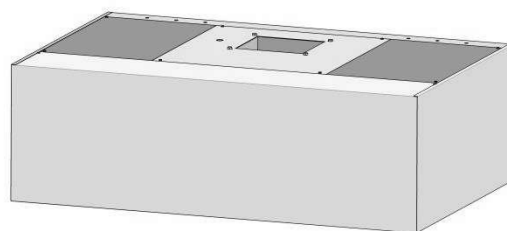
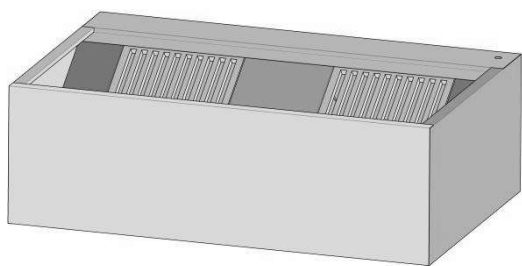
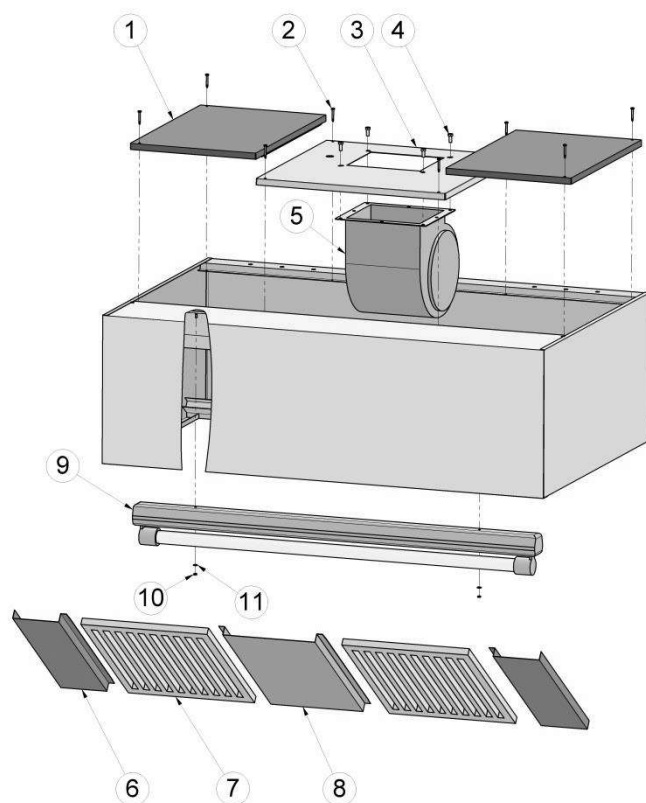
Clean the stainless steel surfaces inside and outside with warm water and a neutral soap, rinse thoroughly and dry carefully.

In case of long period of inactivity, store the appliance in a dry place.



6. DISPOSAL AND RECYCLING

Dispose of the appliance responsibly and respect the environment at the end of its useful life. Proceed with its disposal in accordance with domestic regulation.



POS./POS.
POS./POS.

CODICE/ITEM NO.
ART.NR./REFERENCE

DESCRIZIONE/DESCRIPTION/BESCHREIBUNG/DESCRIPTION

1		PANNELLO SUPERIORE/CEILING PANEL/DECKUNGSBLECH/PANNEAU SUPERIEUR
2	NS4VIT044054	VITE AUTOPERFORANTE TBIC 4.8x38/SCREW/SCHRAUBE/VIS
3		PANNELLO MOTORE/FAN PANEL/MOTORBLECH/PANNEAU MOTEUR
4	NS4VIT080082	VITE TE M8x20/SCREW/SCHRAUBE/VIS
5		VENTILATORE/FAN/MOTOR/MOTEUR
6		PANNELLO LATERALE COMPENSAZIONE FILTRI/SIDE PANEL /SEITENBLECH/PANNEAU LATERAL
7		FILTRO/FILTER/FILTER/FILTRE
8		PANNELLO CENTRALE COMPENSAZIONE FILTRI/MIDDLE PANEL /ZENTRALBLECH/PANNEAU CENTRALE
9		LAMPADA/LIGHT/LAMPE/LAMPE
10	NS4DAD010005	DADO M5/NUT/MUTTER/ECROU
11	NS4RND010005	RONDELLA/WASHER/SCHIBE/RONDELLE