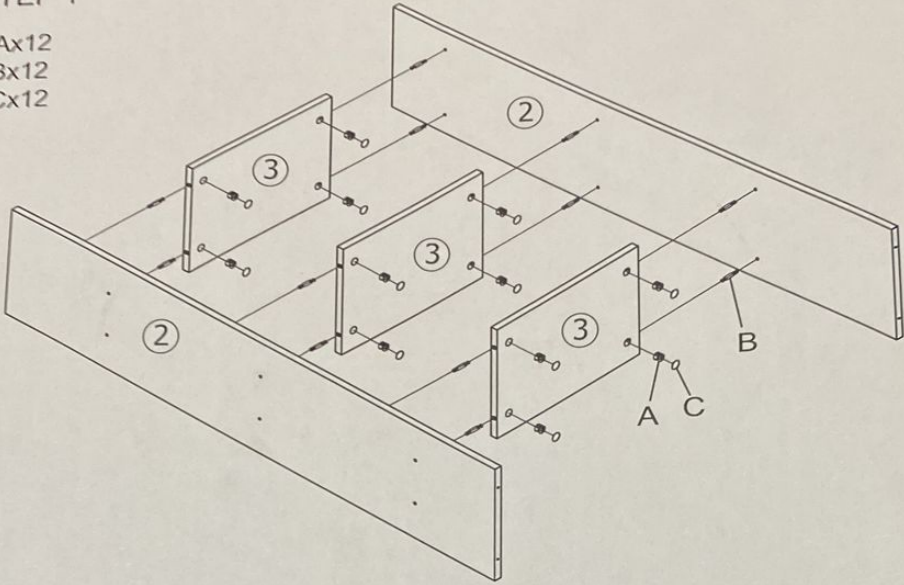


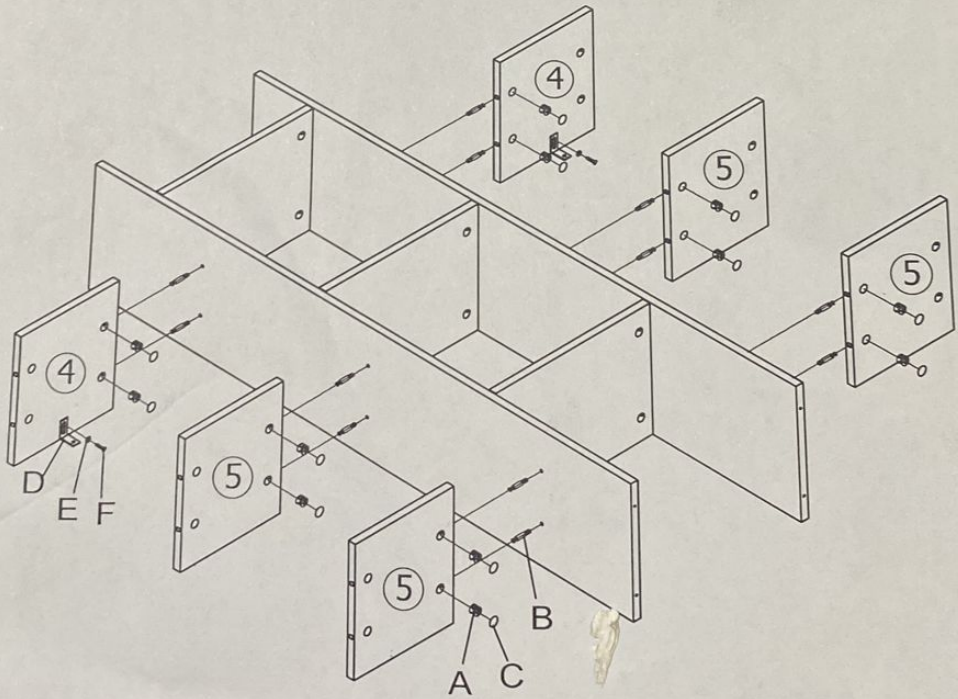
STEP 1

Ax12
Bx12
Cx12



STEP 2

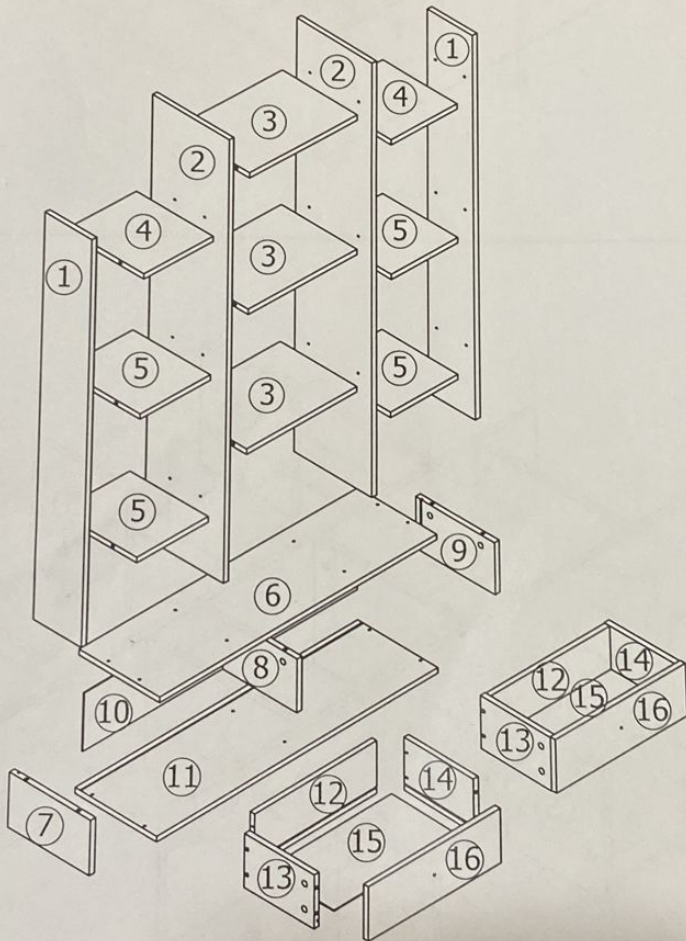
Ax12
Bx12
Cx12
Dx2
Ex2
Fx2



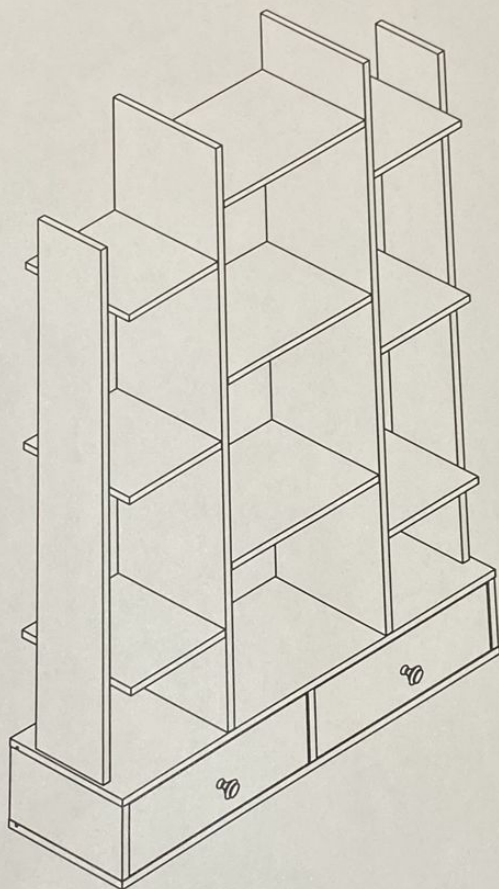


HEFBC-BX-002

A		Ø15x12	50	PCS	H			2	PCS
B		Ø7x35	50	PCS	I		Ø3.5x14	2	PCS
C		Ø20	50	PCS	J		M4x20	2	PCS
D		Ø4x16	2	PCS	K			2	PCS
E		Ø4	2	PCS	L		Ø7*38	2	PCS
F			2	PCS	M			4	PCS
G		Ø4x40	24	PCS					

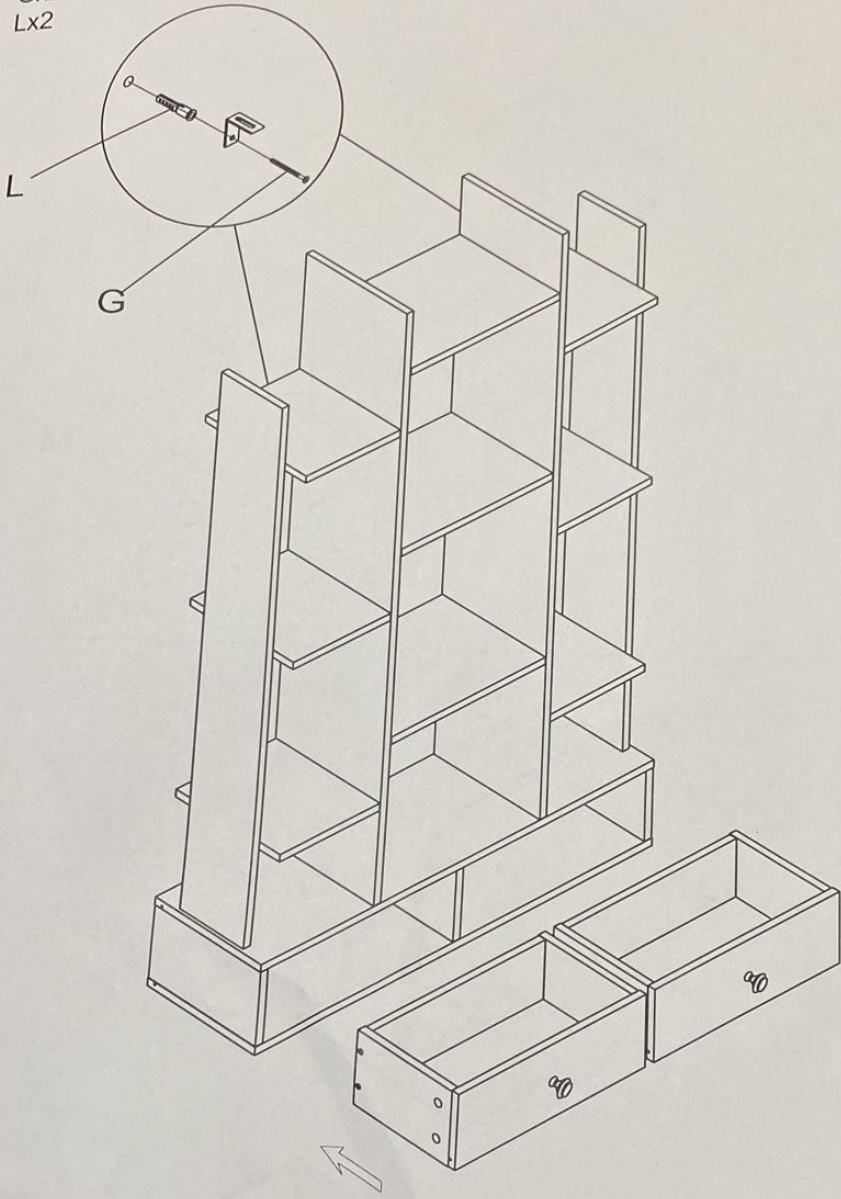


STEP 10



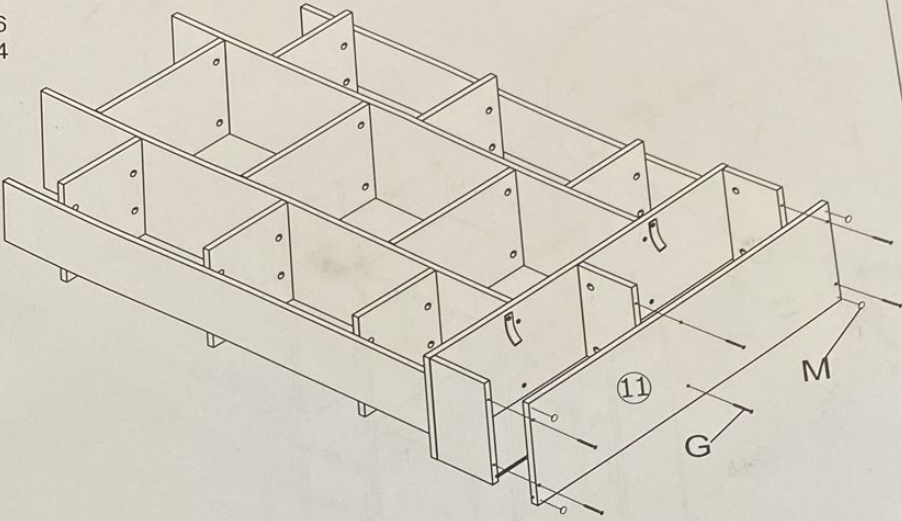
STEP 9

Gx2
Lx2



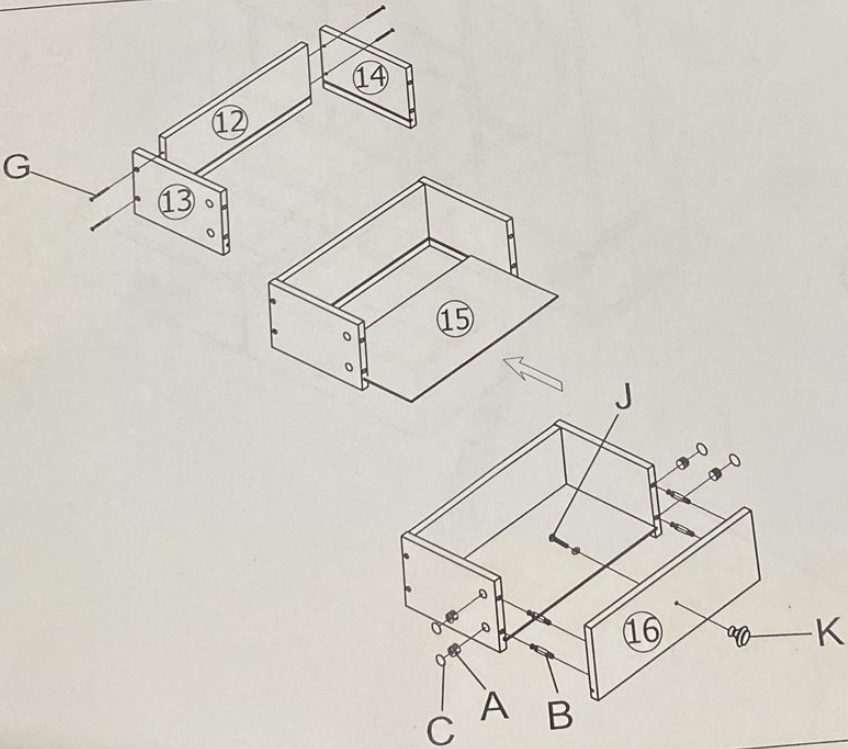
STEP 7

Gx6
Mx4



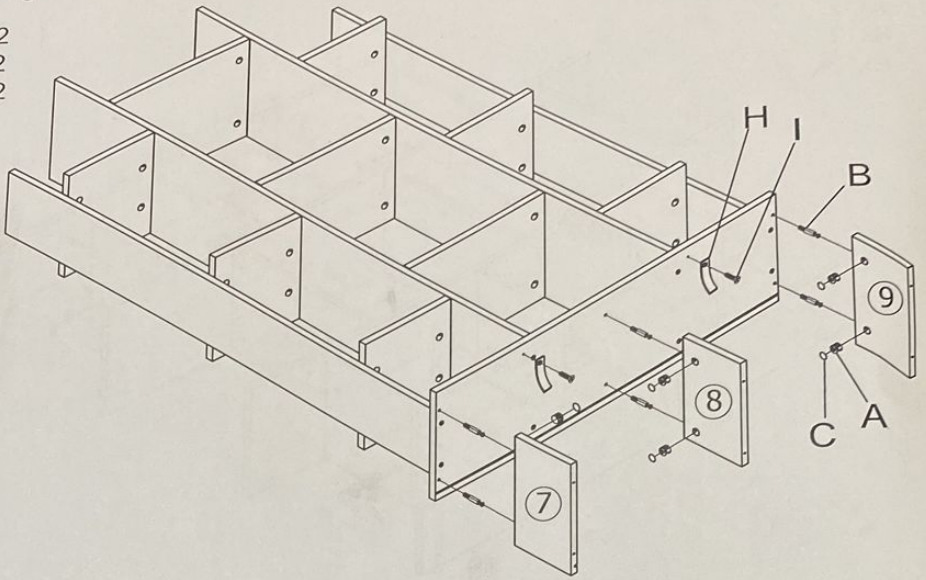
STEP 8

Ax8
Bx8
Cx8
Gx8
Jx2
Kx2

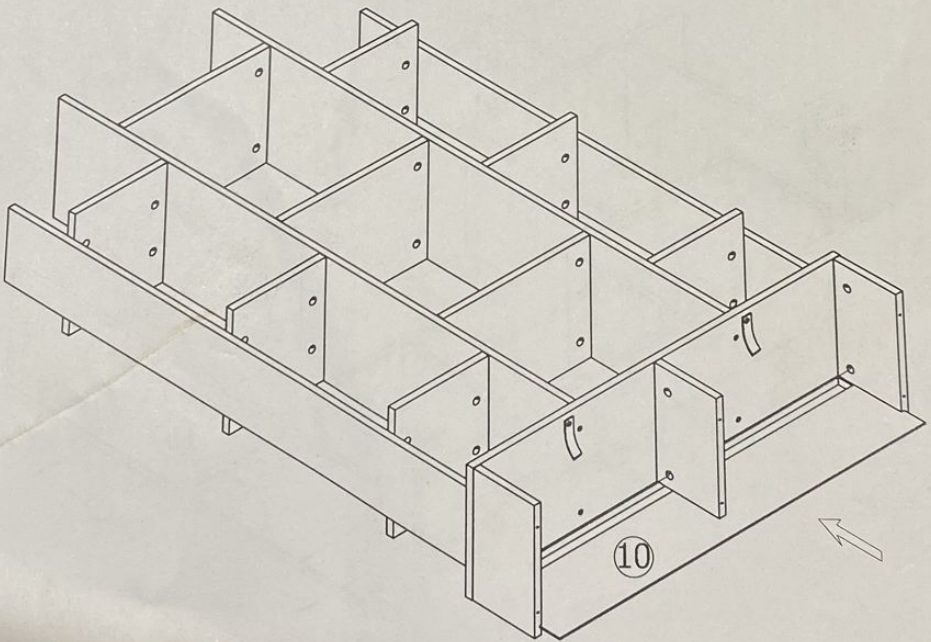


STEP 5

- Ax12
- Bx12
- Cx12
- Ix2
- Hx2

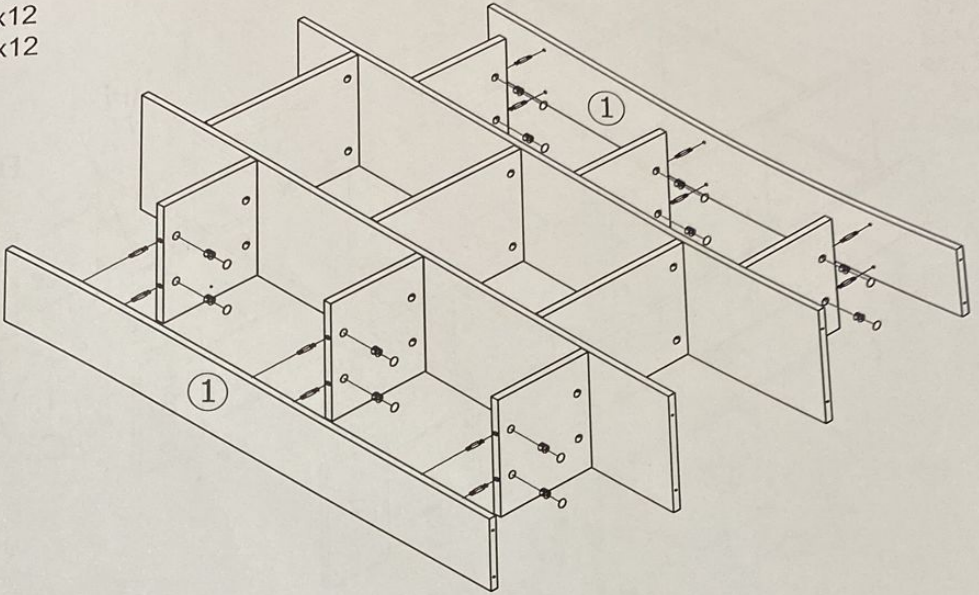


STEP 6



STEP 3

Ax12
Bx12
Cx12



STEP 4

Gx8

