

TN-300

ANALOG TURNTABLE

OWNER'S MANUAL

MODE D'EMPLOI

MANUAL DEL USUARIO

BEDIENUNGSANLEITUNG

MANUALE DI ISTRUZIONI

GEBRUIKSAANWIJZING

BRUKSANVISNING

ENGLISH

FRANÇAIS

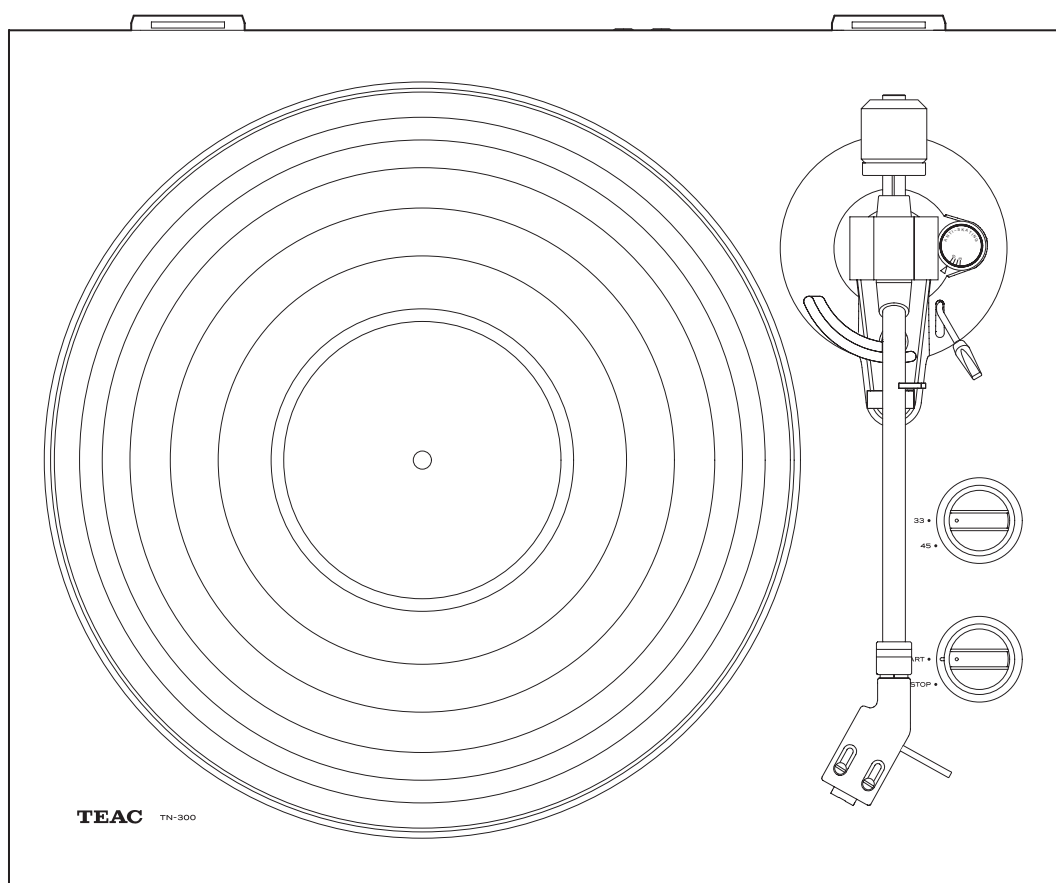
ESPAÑOL

DEUTSCH

ITALIANO

NEDERLANDS

SVENSKA



IMPORTANT SAFETY INSTRUCTIONS



CAUTION
RISK OF ELECTRIC SHOCK
DO NOT OPEN



CAUTION: TO REDUCE THE RISK OF ELECTRIC SHOCK, DO NOT REMOVE COVER (OR BACK). NO USER-SERVICEABLE PARTS INSIDE. REFER SERVICING TO QUALIFIED SERVICE PERSONNEL.



The lightning flash with arrowhead in an equilateral triangle is intended to alert the user to the presence of uninsulated "dangerous voltage" within the product's enclosure that could be of sufficient magnitude to constitute a risk of electric shock to persons.




The exclamation point in an equilateral triangle is intended to alert the user to the presence of important operating and maintenance (servicing) instructions in the literature accompanying the appliance.

WARNING: TO PREVENT FIRE OR SHOCK HAZARD, DO NOT EXPOSE THIS APPLIANCE TO RAIN OR MOISTURE.

CAUTION

- DO NOT REMOVE THE EXTERNAL CASES OR CABINETS TO EXPOSE THE ELECTRONICS. NO USER SERVICEABLE PARTS ARE INSIDE.
- IF YOU ARE EXPERIENCING PROBLEMS WITH THIS PRODUCT, CONTACT THE STORE WHERE YOU PURCHASED THE UNIT FOR A SERVICE REFERRAL. DO NOT USE THE PRODUCT UNTIL IT HAS BEEN REPAIRED.
- USE OF CONTROLS OR ADJUSTMENTS OR PERFORMANCE OF PROCEDURES OTHER THAN THOSE SPECIFIED HEREIN MAY RESULT IN HAZARDOUS RADIATION EXPOSURE.

- 1) Read these instructions.
- 2) Keep these instructions.
- 3) Heed all warnings.
- 4) Follow all instructions.
- 5) Do not use this apparatus near water.
- 6) Clean only with dry cloth.
- 7) Do not block any ventilation openings. Install in accordance with the manufacturer's instructions.
- 8) Do not install near any heat sources such as radiators, heat registers, stoves, or other apparatus (including amplifiers) that produce heat.
- 9) Do not defeat the safety purpose of the polarized or grounding-type plug. A polarized plug has two blades with one wider than the other. A grounding type plug has two blades and a third grounding prong. The wide blade or the third prong are provided for your safety. If the provided plug does not fit into your outlet, consult an electrician for replacement of the obsolete outlet.
- 10) Protect the power cord from being walked on or pinched particularly at plugs, convenience receptacles, and the point where they exit from the apparatus.
- 11) Only use attachments/accessories specified by the manufacturer.
- 12) Use only with the cart, stand, tripod, bracket, or table specified by the manufacturer, or sold with the apparatus. When a cart is used, use caution when moving the cart/apparatus combination to avoid injury from tip-over. 
- 13) Unplug this apparatus during lightning storms or when unused for long periods of time.
- 14) Refer all servicing to qualified service personnel. Servicing is required when the apparatus has been damaged in any way, such as power-supply cord or plug is damaged, liquid has been spilled or objects have fallen into the apparatus, the apparatus has been exposed to rain or moisture, does not operate normally, or has been dropped.
 - The apparatus draws nominal non-operating power from the AC outlet with its POWER or STANDBY/ON switch not in the ON position.

- The mains plug is used as the disconnect device, the disconnect device shall remain readily operable.
- Caution should be taken when using earphones or headphones with the product because excessive sound pressure (volume) from earphones or headphones can cause hearing loss.

CAUTION

- Do not expose this apparatus to drips or splashes.
- Do not place any objects filled with liquids, such as vases, on the apparatus.
- Do not install this apparatus in a confined space such as a book case or similar unit.
- The apparatus should be located close enough to the AC outlet so that you can easily reach the power cord plug at any time.

IN USA/CANADA, USE ONLY ON 120 V SUPPLY.

Apple and Mac OS are trademarks of Apple Inc., registered in the U.S. and other countries.

Microsoft and Windows are either registered trademarks or trademarks of Microsoft Corporation in the United States and/or other countries.

Other company names and product names in this document are the trademarks or registered trademarks of their respective owners.

IMPORTANT SAFETY INSTRUCTIONS (continued)

Model for USA

This device complies with part 15 of the FCC Rules. Operation is subject to the following two conditions: (1) This device may not cause harmful interference, and (2) this device must accept any interference received, including interference that may cause undesired operation.

This equipment has been tested and found to comply with the limits for a Class B digital device, pursuant to Part 15 of the FCC Rules. These limits are designed to provide reasonable protection against harmful interference in a residential installation. This equipment generates, uses, and can radiate radio frequency energy and, if not installed and used in accordance with the instructions, may cause harmful interference to radio communications. However, there is no guarantee that interference will not occur in a particular installation. If this equipment does cause harmful interference to radio or television reception, which can be determined by turning the equipment off and on, the user is encouraged to try to correct the interference by one or more of the following measures:

- Reorient or relocate the equipment and/or the receiving antenna.
- Increase the separation between the equipment and receiver.
- Connect the equipment into an outlet on a circuit different from that to which the receiver is connected.
- Consult the dealer or an experienced radio/TV technician for help.

Declaration of Conformity

Responsible party: TEAC AMERICA, INC.
Address: 1834 Gage Road, Montebello, California,
U.S.A.

Telephone number : 1-323-726-0303

This device complies with Part 15 of the FCC Rules. Operation is subject to the following two conditions: (1) this device may not cause harmful interference, and (2) this device must accept any interference received, including interference that may cause undesired operation.



Model for Canada

Industry Canada's Compliance Statement:
This Class B digital apparatus complies with Canadian ICES-003.

DECLARATION OF CONFORMITY

We, TEAC AUDIO EUROPE, Liegnitzer Straße 6, 82194 Gröbenzell, Germany declare in own responsibility, the TEAC product described in this manual is in compliance with the corresponding technical standards.




CAUTION


Changes or modifications to this equipment not expressly approved by TEAC CORPORATION for compliance will void the user's warranty.

For European Customers

Disposal of electrical and electronic equipment

- All electrical and electronic equipment should be disposed of separately from the municipal waste stream via collection facilities designated by the government or local authorities.
- By disposing of electrical and electronic equipment correctly, you will help save valuable resources and prevent any potential negative effects on human health and the environment.
- Improper disposal of waste electrical and electronic equipment can have serious effects on the environment and human health because of the presence of hazardous substances in the equipment.
- The Waste Electrical and Electronic Equipment (WEEE) symbol, which shows a wheeled bin that has been crossed out, indicates that electrical and electronic equipment must be collected and disposed of separately from household waste. 
- Return and collection systems are available to end users. For more detailed information about the disposal of old electrical and electronic equipment, please contact your city office, waste disposal service or the shop where you purchased the equipment.

Disposal of batteries and/or accumulators

- Waste batteries and/or accumulators should be disposed of separately from the municipal waste stream via collection facilities designated by the government or local authorities.
- By disposing of waste batteries and/or accumulators correctly, you will help save valuable resources and prevent any potential negative effects on human health and the environment.
- Improper disposal of waste batteries and/or accumulators can have serious effects on the environment and human health because of the presence of hazardous substances in them.
- The WEEE symbol, which shows a wheeled bin that has been crossed out, indicates that batteries and/or accumulators must be collected and disposed of separately from household waste. 
Pb, Hg, Cd
If a battery or accumulator contains more than the specified values of lead (Pb), mercury (Hg), and/or cadmium (Cd) as defined in the Battery Directive (2006/66/EC), then the chemical symbols for those elements will be indicated beneath the WEEE symbol.
- Return and collection systems are available to end users. For more detailed information about the disposal of waste batteries and/or accumulators, please contact your city office, waste disposal service or the shop where you purchased them.

Contents

Thank you for choosing TEAC. Read this manual carefully to get the best performance from this unit.

IMPORTANT SAFETY INSTRUCTIONS	2
Before use	5
Preparing the record player	7
Notes about record styluses	9
Connections	10
Names and functions of parts	11
Turntable cover	12
Handling records	13
Changing the cartridge	14
Basic operation	15
Recording with a computer	17
Troubleshooting	18
Specifications	19

Before use

Included items

Check to be sure the box includes all the supplied accessories shown below. Please contact the store where you purchased this unit if any of these accessories are missing or have been damaged during transportation.

- Rubber mat × 1
- 45 RPM adapter × 1
- Counterweight × 1
- Headshell × 1
 - AT95E MM cartridge (made by Audio-Technica) preinstalled
- Turntable × 1
- Turntable cover × 1
- Rubber feet for turntable cover × 2
- Hinges × 2
- Audio cable × 1
- USB cable × 1
- AC adapter (GPE053A-120050-Z) × 1
- Owner's manual (this document) × 1
 - Keep this manual in a safe place for future reference.
- Warranty card × 1 (for customers in the USA and Canada only)
 - See the back of this document for information about the warranty in Europe and other countries or areas.

Before use (continued)

Precautions for use

- Do not place anything on the turntable cover. Objects on the cover might cause noise due to vibrations or fall off, especially during playback.
- Avoid placing the unit in direct sunlight, close to a source of heat or in other similar conditions. Do not place the unit on top of an amplifier or other equipment that might generate heat that exceeds the operating temperature range of this unit. Doing so could cause discoloration, deformation or malfunction.
- As the unit could become warm during operation, always leave sufficient space around it for ventilation. When installing this unit, leave a little space (at least 20 cm (8")) between it and other devices and walls to allow good heat dissipation. When placing it in a rack, for example, leave at least 35 cm (13 3/4") open above it and 10 cm (4") open behind it. Failure to provide these gaps could cause heat to build up inside and result in fire.
- DO NOT MOVE THE UNIT DURING PLAYBACK. During playback, the record rotates. Do not lift or move the unit during playback. Doing so may damage the record, the stylus, the cartridge or the unit.
- Always remove the record before relocating or moving this unit. Moving the unit with a record on the turntable could damage the record, the stylus and the cartridge or could cause a malfunction.
- The voltage supplied to the unit should match the voltage as printed on the rear panel. If you are in any doubt regarding this matter, consult an electrician.

Maintenance

If the surface of the unit gets dirty, wipe it with a soft cloth or use diluted mild liquid soap. Allow the surface of the unit to dry completely before using.

- Do not use chemical cleaning cloths, thinner or similar substances as they could damage the surface of the unit.

CAUTION

For safety, disconnect the power cord from the socket before cleaning.

Product registration

Customers in the USA, please visit the following TEAC website to register your TEAC product online.

<http://audio.teac.com/support/registration/>

Preparing the record player

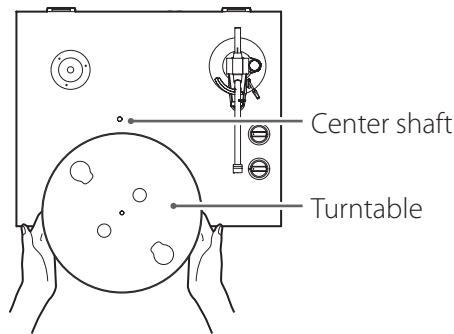
Keep the unit in standby while setting it up (E on pages 10 and 11).

1 Place it on a flat surface.

Since the heights of this unit's feet cannot be adjusted, be sure to place it on a flat surface.

2 Install the turntable.

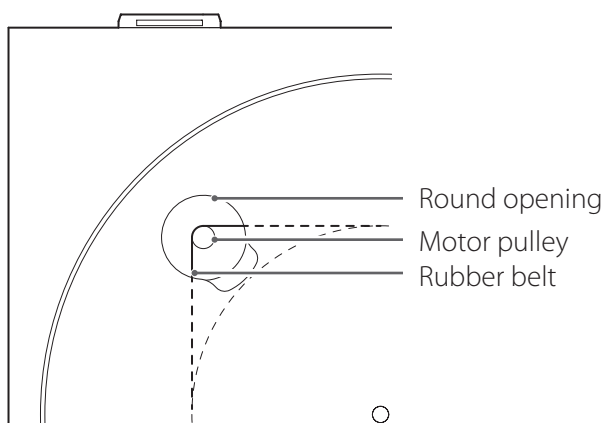
Align the turntable with the center shaft and install it.



3 Loop the belt around the motor pulley.

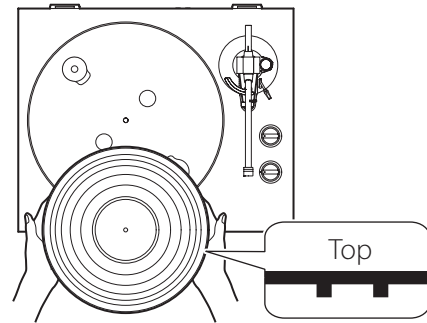
Use a finger to pull the rubber belt that is wrapped around the sub-platter through the round opening and loop it around the motor pulley.

- Be careful not to let the rubber become twisted.
- Rotate the turntable several times to make sure that it is secure.



4 Place the rubber mat.

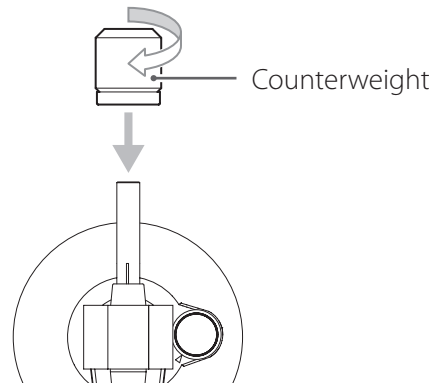
Place the protective rubber mat that is included with the turntable on it before use.



- The rubber mat has a top and a bottom. As shown in the illustration, the side with the ridged concentric circles should be placed down.

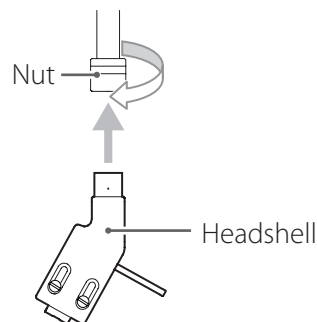
5 Install the counterweight.

Place the counterweight over the end of the tone arm and turn it clockwise to tighten it.



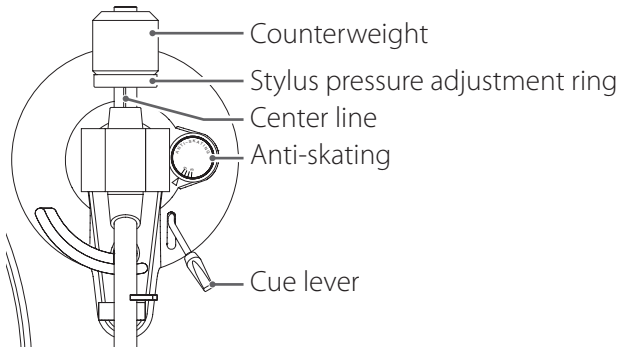
6 Install the headshell.

Insert the headshell on the end of the tone arm and turn the nut to secure it in place.



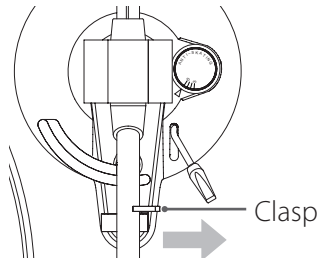
Preparing the record player (continued)

Balancing the tone arm and adjusting the stylus pressure



1 Set the anti-skating dial to zero.

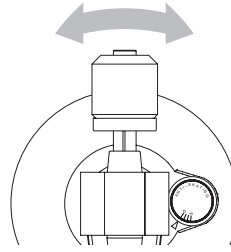
2 Move the tone arm clasp to the right to release the tone arm.



3 Lift the cue lever and shift the tone arm to the left slightly.

4 Lower the cue lever.

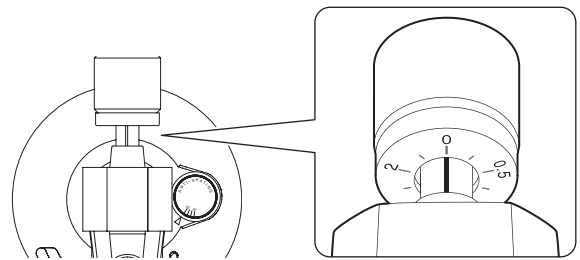
5 Turn the counterweight and adjust so that the tone arm is level.



- Remove the cartridge stylus protection cover before making adjustments.
- Be careful not to let the cartridge stylus touch the unit.

6 Return the tone arm to its original position, and move the tone arm clasp to the left to lock it in place.

7 Turn the stylus pressure adjustment ring so that the center line aligns with 0 on the scale.

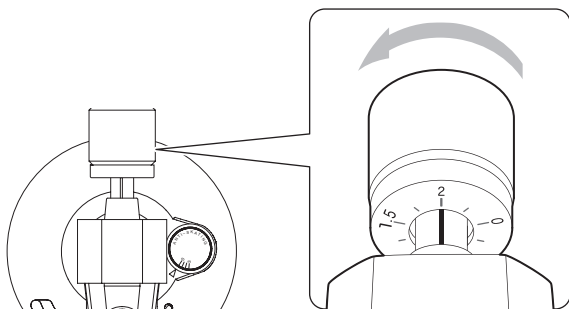


- Be careful not to let the counterweight turn.

Notes about record styluses

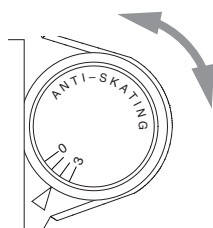
8 Turn the counterweight so that the stylus pressure adjustment ring scale matches the stylus pressure specified for the cartridge.

- The stylus pressure of the included cartridge is 2.0 g.
So, turn it to 2 on the counterweight scale when using the included cartridge.



9 Adjust the anti-skating dial.

Start with it set at 2 and adjust it during record playback (page 15) to the position where the left and right volumes are balanced.



- Record styluses are precision parts, so handle them carefully to avoid bending or damaging their tips. If a stylus becomes bent or damaged, it might not be able to follow the audio groove precisely and could damage records or cause other malfunction.
- If a stylus becomes dirty, use a commercially available stylus cleaner or similar product to clean it.
- Do not rub the stylus tip forcefully with anything hard. Do not wipe the stylus with thinner or other chemicals. Doing so could harm it.

Replacing the stylus

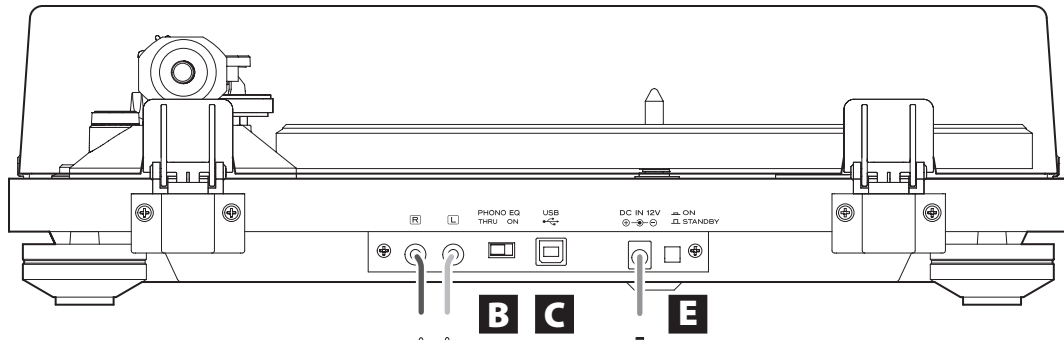
The included cartridge is an Audio-Technica AT95E. Purchase a replacement stylus for the AT95E cartridge at the retailer where you purchased this unit, for example.

Follow the replacement instructions in the manual of the replacement stylus.

CAUTION

- Since loud noises could suddenly occur, put the unit into standby before changing the stylus.
- Be careful not to hurt your hand or the equipment.
- Be careful not to allow small children to accidentally swallow styluses.

Connections



When PHONO EQ is ON
Connect to audio input jacks of amplifier, etc.

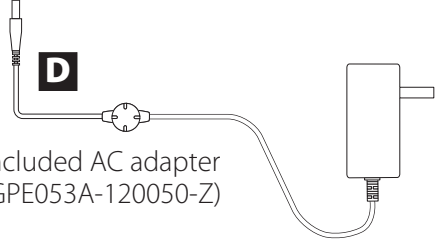
When PHONO EQ is THRU
Connect to PHONO inputs of amplifier, etc.

A



D

Included AC adapter
(GPE053A-120050-Z)

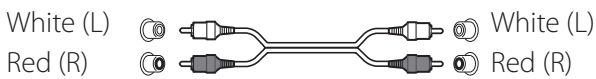


⚠ Precautions when making connections

- Do not plug the unit in until after making all connections.
- Carefully read the manuals of the devices that you are connecting and follow their instructions when making connections.

A Analog audio output jacks (L/R)

These output analog audio signals.
The PHONO EQ switch setting changes the type of output signal.
Use the included audio cable (or commercially-available ones) to connect other equipment to the output jacks of this unit.



B PHONO EQ (audio output setting) switch

ON

Signals that have been amplified by the built-in equalizer amp are output from the analog audio output jacks (L/R).

THRU

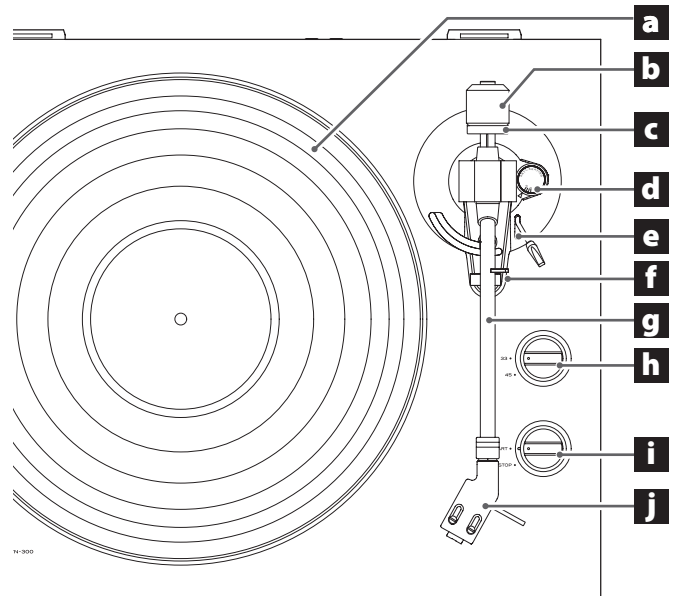
The MM cartridge signal is output directly through the analog audio output jacks (L/R).
Use this when connecting to equipment that has PHONO inputs.

- When shipped new from the factory, this is set to ON.

CAUTION

When set to ON, if connected to the PHONO inputs of an amplifier, for example, the output from speakers and headphones will be very loud, which could damage equipment or harm hearing.

Names and functions of parts



C USB port (USB B type)

Connect this to the USB port of a computer to convert the audio signal from this unit to digital and output it to the computer (page 17).

D DC input connector

After completing all other connections, connect the included AC adapter (GPE053A-120050-Z) to this jack.

Confirm that the power plug of the AC adapter is plugged into a power outlet.

- Unplug the power cord from the outlet when you are not planning to use the unit for an extended period of time.
- Do not use any AC adapter other than the one included (GPE053A-120050-Z).

⚠ Be sure to connect the power cord to an AC outlet that supplies the correct voltage. Connection to an outlet that supplies incorrect voltage could cause fire or electric shock. Hold the power plug when plugging it into an outlet or unplugging it. Never pull or yank on the power cord. Unplug the power cord from the outlet when you are not planning to use the unit for an extended period of time.

E STANDBY/ON button

Press the STANDBY/ON button to turn the unit on or put it in standby.

a Turntable

Place records centered on the turntable.

b Counterweight

c Stylus pressure adjustment ring

d Anti-skating dial

e Cue lever

Use this lever to lift the tone arm and to lower it to the record.

f Tone arm holder

This is a rest for the tone arm. Gently push the clasp to the right to release the tone arm before playing a record.

g Tone arm

h Rotation speed setting knob

Set the rotation speed (RPM) suitable for the record.

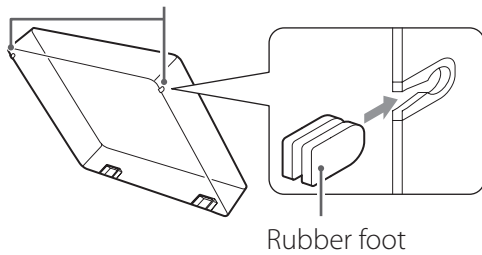
i START/STOP turntable rotation knob

j Headshell

Turntable cover

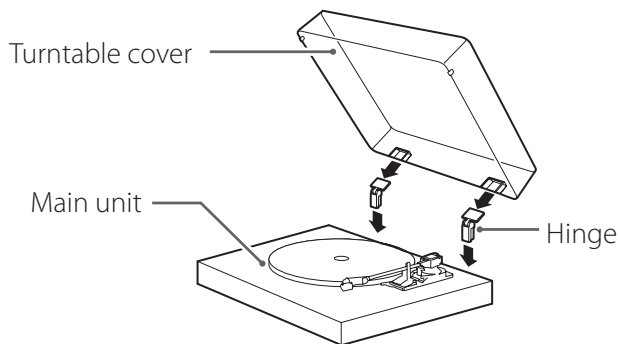
Attaching the rubber feet

Rubber feet attachment points



As shown in the illustration, attach rubber feet to the left and right sides of the turntable cover.

Attaching the turntable cover

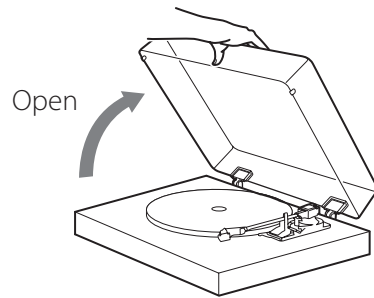


- 1** Insert the hinges completely into the hinge holders at the left and right ends of the back of the main unit.
- 2** Align the tops of the hinges with the turntable cover hinge holders and insert them.

Removing the turntable cover

Hold both edges of the turntable cover and lift it slowly to remove it along with the hinges from the unit. Then, remove the hinges from the turntable cover.

Opening and closing the turntable cover



Opening

Hold the front edge of the turntable cover and gently lift it open completely until it stops.

The turntable cover will stay open in this position.

Closing

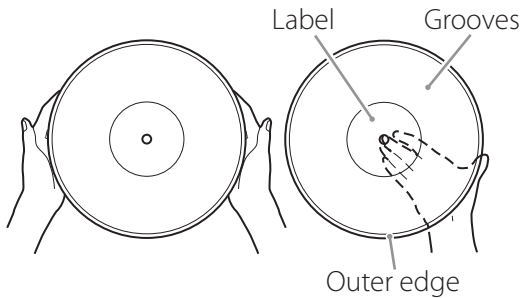
Gently lower the turntable cover until it is closed.

⚠ Be careful not to pinch your hand, for example, when opening and closing the turntable cover.

Handling records

Holding records

When holding a record or removing it from its sleeve, avoid touching the grooves by holding the record by its label and edge with one hand or by holding it by its edge with both hands.



Cleaning

- Fingerprints and dust on a record can cause noise and the sound to skip, as well as damage the record itself and the stylus. Use a commercially available record cleaner to clean records. Do not use thinner or anything other than a record cleaner. Such chemicals could harm the surface of the record.
- When using a record cleaner, wipe the surface of the record in a circular motion, following the grooves.



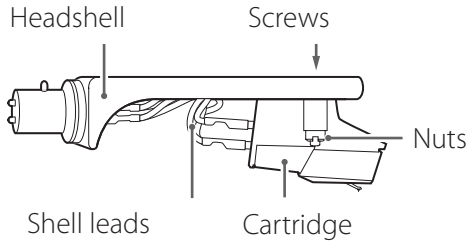
Precautions

- Do not leave records in places that are exposed to direct sunlight or are very hot or very humid. Leaving a record in such a condition for a long time could result in warping or other damage.
- Do not stack multiple records or place heavy objects on top of them. Do not leave records at an angle for long amounts of time either. Doing so could result in warping or other damage.
- Do not allow hard objects to directly touch the audio grooves. Doing so could cause scratches.
- After you finish playing a record, always put it back into its sleeve for storage. Leaving a record unprotected could result in warping or scratching.
- Do not use cracked records.

Changing the cartridge

To change the cartridge, first remove the headshell from the tone arm.

- We recommend that you keep the cartridge needle protective cap on while changing the cartridge.

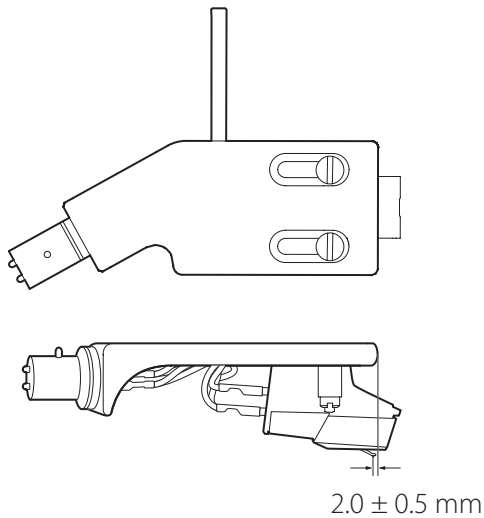


1 Disconnect the shell lead terminals from the cartridge.

2 Loosen the screws and remove the cartridge.

3 Attach the new cartridge and tighten the screws.

See the illustration below for the position of the screws when attached.



4 Connect the shell lead terminals to the cartridge.

- The signals and colors of the shell leads are shown below.

Signal	Color
Left channel +	White
Left channel -	Blue
Right channel +	Red
Right channel -	Green

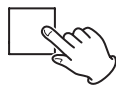
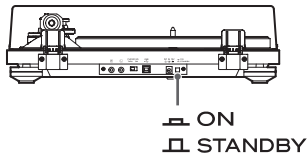
5 Balance the tone arm and adjust the stylus pressure.

Follow the procedures in "Balancing the tone arm and adjusting the stylus pressure" on page 8.

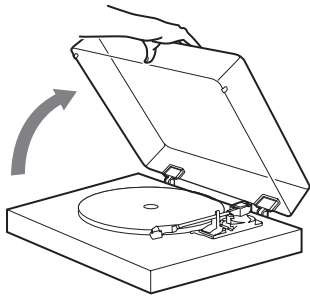
Basic operation

Playing records

- 1 Press the **STANDBY/ON** button on the back of the unit to turn it on.**



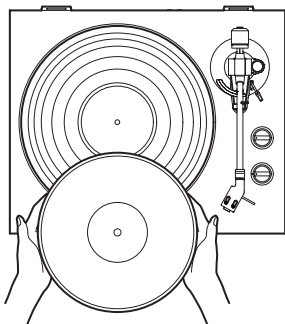
- 2 Open the turntable cover slowly.**



- ⚠ Be careful not to pinch your hand, for example, when opening and closing the turntable cover.**

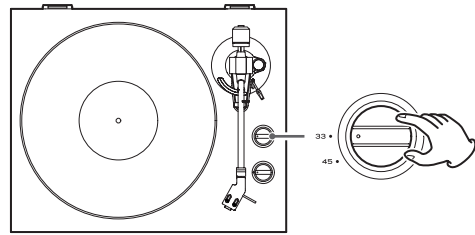
- 3 Place a record on the turntable.**

When playing a 45 RPM large-hole single record, use the included adapter.

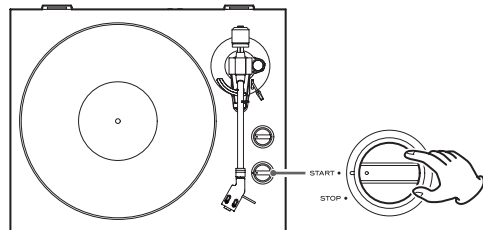


- 4 Set according to the rotation speed (RPM) of the record.**

The rotation speed can be set to 33 1/3 or 45 RPM.

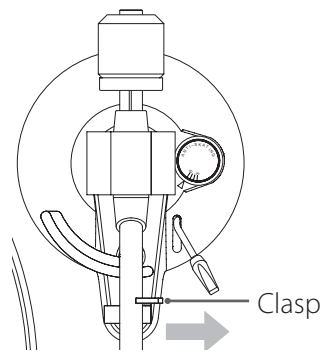


- 5 Turn the **START/STOP** rotation knob to **START** to start the turntable.**



- When the **START/STOP** rotation knob is set to **START**, the turntable will start rotating and the blue LED will light.

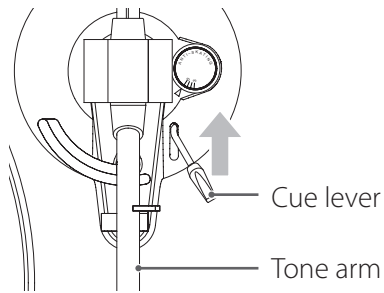
- 6 Move the tone arm clasp to the right to release the tone arm.**



Continued on the next page →

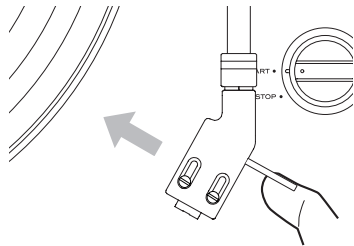
Basic operation (continued)

7 Lift the cue lever.



- You can also leave the cue lever down and move the raised tone arm over the record and then lower the tone arm slowly to start playback.

8 Move the tone arm to the edge of the record or the track where you want to start playback.



9 Lower the cue lever.

Lower the tone arm slowly until the stylus touches the record and playback begins.

- We recommend that you close the turntable cover during record playback to avoid dust.

⚠ Do not place anything on the turntable cover. Objects on the cover might cause noise due to vibrations or fall off, especially during playback.

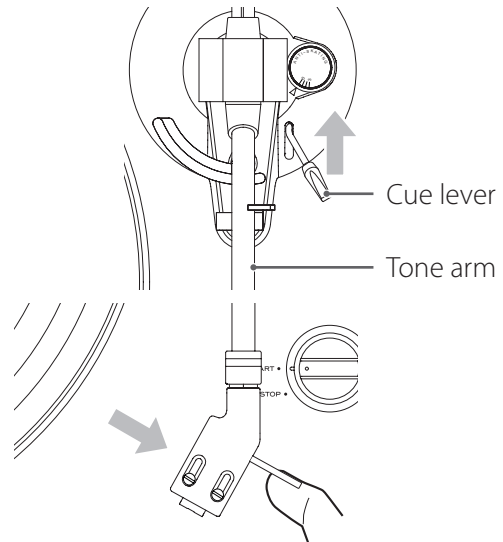
CAUTION

- During playback, do not touch the tone arm or the rotating record.
- Do not stop turntable rotation during playback.

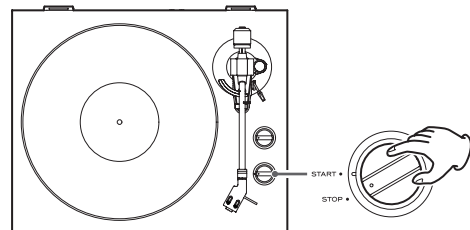
During record playback, feedback could occur if the volume is too loud. If this happens, lower the volume of the amplifier.

When playback finishes

1 Slightly lift the cue lever or the head-shell hook and return the tone arm to its resting position.



2 Turn the START/STOP rotation knob to STOP to stop the turntable.



- When the turntable stops, the blue LED will also become unlit.

Recording with a computer

Connect this record player to a computer using the included USB cable to convert audio signals from a record to digital data and send them to the computer.

Supported operating systems

Computers running the following operating systems can be connected by USB to this unit.

Windows OS

- Windows 7 (32-bit, 64-bit)
- Windows 8 (32-bit, 64-bit)
- Windows 8.1 (32-bit, 64-bit)
(as of September 2014)

Mac OS X

- OS X Lion 10.7
- OS X Mountain Lion 10.8
- OS X Mavericks 10.9
(as of September 2014)

Use with operating systems other than these is not guaranteed.

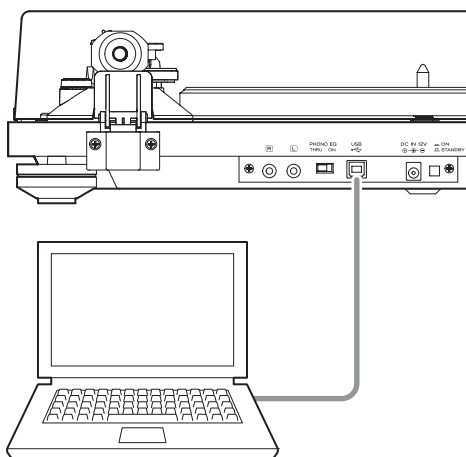
- This unit will run with the standard OS driver, so there is no need to install a special driver.

Connecting with a computer

1 Turn the computer on.

Confirm that the operating system is working correctly.

2 Use the USB cable to connect the computer and this unit.



3 Press this unit's STANDBY/ON button to turn it on.

When they are connected, the computer will automatically detect this unit's USB port and identify it as "USB Audio CODEC".

- To record audio from this record player using a computer, you must first install software that can be used for audio recording on the computer. You may purchase the audio recording software that you prefer separately or download free software, such as Audacity (<http://audacity.sourceforge.net/>), from the Internet. As free software, Audacity is not supported by TEAC.
- When connected to a computer by USB and recording audio, do not do any of the following. Doing so could cause the computer to malfunction. Always quit the computer recording software before doing the following.
 - Disconnect the USB cable
 - Put the unit into standby

Computer settings

The following example explains the settings to make using Windows 7.

1 From the Start menu, select Control Panel.

2 Click "Sound".

3 Click the "Recording" tab, and confirm that "USB Audio CODEC" is set as the "Default Device".

4 Select "Microphone USB Audio CODEC", and click the Properties button.

5 Click the "Advanced" tab.

6 From the "Default Format" pull-down menu, select "2 channel, 16 bit, 48000 Hz (DVD quality)".

7 Click "OK".

Troubleshooting

If you experience a problem with this unit, please check the following items before requesting service. Something other than this unit could also be the cause of the problem. Please also check that the connected devices are also being used properly.

If it still does not operate correctly, contact the retailer where you purchased the unit.

No power.

- ➔ Confirm that the AC adapter is plugged into an outlet. Then, press the STANDBY/ON button to turn the unit on (page 10).

There is no sound.

- ➔ When connecting this unit's analog audio output jacks to the audio input jacks of an amplifier or other equipment, set the PHONO EQ (audio output setting) switch to ON (page 10).

Playback is not possible; there is noise.

- ➔ Confirm that the stylus cover (made of white plastic) has been removed.
- ➔ Clean the stylus (page 9).
- ➔ If the stylus is worn-out, replace it (page 9).
- ➔ Place the unit as far away as possible from TVs, microwave ovens and other devices that emit electromagnetic waves.

The pitch is wrong.

- ➔ Set the rotation speed (RPM) to match the record (page 15).

The sound is skipping.

- ➔ Vibrations will cause skipping. Place this unit in a stable location.
- ➔ If the record is dirty, wipe it clean.
- ➔ Do not use scratched records.
- ➔ Balance the tone arm and readjust the stylus pressure (page 8).

If the stylus pressure is lower than the value designated by the cartridge, skipping is more likely to occur.

Specifications

Turntable

Drive system.....	Belt drive
Motor	DC motor
Rotation speed	33 1/3 rpm, 45 rpm
Rotation speed variation.....	±2%
Wow and flutter	0.2%
SN ratio.....	67 dB or higher (A-weighted, 20 kHz LPF)
Turntable.....	Aluminum die-cast 30cm (12") diameter

Tone arm

Arm type	Static-balanced straight-pipe tone arm
Effective arm length	223 mm
Stylus pressure variation range.....	0–5 g
Acceptable cartridge weight.....	3.5–6.5 g

Cartridge

Type.....	MM
Output voltage	2.5 mV ±3 dB
Stylus pressure	2.0 ±0.5 g
Cartridge weight	5.7 ±0.5 g
Included headshell weight.....	10 g (including screws, nuts and wires)

Output voltage

PHONO EQ THRU.....	2.5 mV ±3 dB
PHONO EQ ON	155 mV (–16 dBV)
Output jacks.....	RCA

USB port

USB port that can receive power from computer USB buses (Full Speed)	USB connector type B
USB bus power support	5 V, 500 mA

- Use the included USB cable to connect the unit to a computer to receive power from it.

General

AC adapter power	Input	AC 100 V–AC 240 V, 50–60 Hz
	Output.....	12 V, 500 mA
Power consumption	Standby.....	0.5 W or less
	On (START).....	1.5 W or less
Weight		4.9 kg (10 7/8 lb)
Operating temperature range		5°C to 35°C
Dimensions (W × H × D) (including protrusions)		420 × 356 × 117 mm (16 5/8" × 14 1/8" × 4 5/8")

- Performance data is specified at 20°C.

Included accessories

Rubber mat × 1
45 RPM adapter × 1
Counterweight × 1
Headshell × 1
AT95E MM cartridge (made by Audio-Technica)
preinstalled
Turntable × 1
Turntable cover × 1
Rubber feet for turntable cover × 2
Hinges × 2
Audio cable × 1
USB cable × 1
AC adapter (GPE053A-120050-Z) × 1
Owner's manual (this document) × 1
Warranty card × 1 (for customers in the USA and Canada only)

- Specifications and appearance are subject to change without notice.
- Weight and dimensions are approximate.
- Illustrations in this owner's manual might differ slightly from production models.

INSTRUCTIONS DE SÉCURITÉ IMPORTANTES

- N'exposez pas cet appareil aux gouttes ni aux éclaboussures.
- Ne placez pas d'objet rempli de liquide sur l'appareil, comme par exemple un vase.
- N'installez pas cet appareil dans un espace confiné comme une bibliothèque ou un meuble similaire.
- L'appareil tire un courant nominal de veille de la prise secteur quand son interrupteur POWER ou STANDBY/ON n'est pas en position ON.
- L'appareil doit être placé suffisamment près de la prise de courant pour que vous puissiez à tout moment atteindre facilement la fiche du cordon d'alimentation.
- La fiche secteur est utilisée comme dispositif de déconnexion et doit donc toujours rester disponible.
- Des précautions doivent être prises pour l'emploi d'écouteurs ou d'un casque avec le produit car une pression acoustique (volume) excessive dans les écouteurs ou dans le casque peut provoquer une perte d'audition.

Modèle pour le Canada

Cet appareil numérique de la classe B est conforme à la norme NMB-003 du Canada.

DÉCLARATION DE CONFORMITÉ

Nous, TEAC AUDIO EUROPE, Liegnitzer Straße 6, 82194 Gröbenzell, Allemagne, déclarons sous notre propre responsabilité que le produit TEAC décrit dans ce mode d'emploi est conforme aux normes techniques lui correspondant.




ATTENTION

Les changements ou modifications apportés à cet équipement et dont la conformité n'est pas expressément approuvée par TEAC CORPORATION invalideront la garantie de l'utilisateur.

Pour les consommateurs européens

Mise au rebut des équipements électriques et électroniques

- (a) Tout équipement électrique et électronique doit être traité séparément de la collecte municipale d'ordures ménagères dans des points de collecte désignés par le gouvernement ou les autorités locales.
- (b) En vous débarrassant correctement des équipements électriques et électroniques, vous contribuerez à la sauvegarde de précieuses ressources et à la prévention de potentiels effets négatifs sur la santé humaine et l'environnement.
- (c) Le traitement incorrect des déchets d'équipements électriques et électroniques peut avoir des effets graves sur l'environnement et la santé humaine en raison de la présence de substances dangereuses dans les équipements.
- (d) Le symbole de déchets d'équipements électriques et électroniques (DEEE), qui représente une poubelle à roulettes barrée d'une croix, indique que les équipements électriques et électroniques doivent être collectés et traités séparément des déchets ménagers. 
- (e) Des systèmes de retour et de collecte sont disponibles pour l'utilisateur final. Pour des informations plus détaillées sur la mise au rebut des vieux équipements électriques et électroniques, veuillez contacter votre mairie, le service d'ordures ménagères ou le magasin dans lequel vous avez acquis l'équipement.

Mise au rebut des piles et/ou accumulateurs

- (a) Les piles et/ou accumulateurs hors d'usage doivent être traités séparément de la collecte municipale d'ordures ménagères dans des points de collecte désignés par le gouvernement ou les autorités locales.
- (b) En vous débarrassant correctement des piles et/ou accumulateurs hors d'usage, vous contribuerez à la sauvegarde de précieuses ressources et à la prévention de potentiels effets négatifs sur la santé humaine et l'environnement.
- (c) Le traitement incorrect des piles et/ou accumulateurs hors d'usage peut avoir des effets graves sur l'environnement et la santé humaine car ils contiennent des substances dangereuses.
- (d) Le symbole de déchets d'équipements électriques et électroniques (DEEE), qui représente une poubelle à roulettes barrée d'une croix, indique que les piles et/ou accumulateurs doivent être collectés et traités séparément des déchets ménagers. 
Si une pile ou un accumulateur contient plus que les valeurs spécifiées de plomb (Pb), mercure (Hg) et/ou cadmium (Cd) telles que définies dans la directive sur les batteries (2006/66/EC), alors les symboles chimiques de ces éléments seront indiqués sous le symbole DEEE.
- (e) Des systèmes de retour et de collecte sont disponibles pour l'utilisateur final. Pour des informations plus détaillées sur la mise au rebut des piles et/ou accumulateurs, veuillez contacter votre mairie, le service d'ordures ménagères ou le magasin dans lequel vous les avez achetés.

Sommaire

Nous vous remercions d'avoir choisi TEAC. Lisez ce mode d'emploi avec attention pour tirer les meilleures performances de cette unité.

INSTRUCTIONS DE SÉCURITÉ IMPORTANTES.....	20
Avant l'utilisation	21
Préparation de la platine.....	23
Notes sur les pointes pour disque.....	25
Branchements.....	26
Nomenclature et fonctions des parties.....	27
Couvercle de la platine	28
Manipulation des disques.....	29
Changement de cellule.....	30
Fonctionnement de base.....	31
Enregistrement avec un ordinateur	33
Guide de dépannage.....	34
Caractéristiques techniques.....	35

Avant l'utilisation

Éléments fournis

Vérifiez que vous disposez bien de tous les accessoires représentés ci-dessous. Veuillez contacter le magasin dans lequel vous avez acheté cette unité si l'un de ces accessoires manque ou a été endommagé durant le transport.

- Tapis en caoutchouc × 1
- Adaptateur 45 tr/min × 1
- Contrepoids × 1
- Porte-cellule × 1
 - Cellule à aimant mobile AT95E (fabriquée par Audio-Technica) déjà montée
- Plateau × 1
- Couvercle de la platine × 1
- Patins en caoutchouc pour couvercle de platine × 2
- Charnières × 2
- Câble audio × 1
- Câble USB × 1
- Adaptateur secteur (GPE053A-120050-Z) × 1
- Mode d'emploi (ce document) × 1
 - Conservez ce mode d'emploi dans un endroit sûr pour vous y référer ultérieurement.
- Garantie × 1 (pour les consommateurs aux USA et au Canada uniquement)
 - Voir au dos de ce document les informations concernant la garantie en Europe et dans d'autres pays ou régions.

Avant l'utilisation (suite)

Précautions d'emploi

- Ne placez rien sur le couvercle de la platine. Les objets posés sur le couvercle peuvent provoquer du bruit dû aux vibrations ou tomber, en particulier lors de la lecture.
- Évitez d'exposer l'unité directement au soleil, de la placer près d'une source de chaleur ou dans d'autres conditions similaires. N'installez pas l'appareil au-dessus d'un amplificateur ou d'un équipement pouvant dégager une chaleur qui dépasse la température de fonctionnement de cette unité. Cela pourrait causer une décoloration, une déformation ou un mauvais fonctionnement.
- Il est possible que l'unité chauffe durant l'utilisation, laissez donc toujours un espace suffisant autour d'elle pour sa ventilation. Quand vous installez cette unité, laissez un peu d'espace (au moins 20 cm) entre elle et les murs et d'autres appareils afin de permettre une bonne dissipation thermique. Si vous la placez par exemple dans un rack, laissez au moins 35 cm de libre au-dessus de l'unité et 10 cm derrière elle. Sans ces espaces, la température peut monter, risquant d'entraîner un incendie.
- **NE DÉPLACEZ PAS L'UNITÉ DURANT LA LECTURE.** Durant la lecture, le disque tourne. Ne soulevez et ne déplacez pas l'unité durant la lecture. Vous risqueriez d'endommager le disque, la pointe, la cellule ou l'unité.
- Retirez toujours le disque avant de déplacer ou de transporter cette unité. Transporter cette unité avec un disque sur la platine pourrait endommager le disque, la pointe, la cellule ou provoquer un dysfonctionnement.
- La tension d'alimentation doit correspondre à la tension imprimée sur le panneau arrière. Si vous avez des doutes à ce sujet, consultez un électricien.

Entretien

Si la surface de l'unité est sale, essuyez-la avec un chiffon doux ou utilisez un détergent liquide léger dilué. Laissez la surface de l'unité sécher complètement avant utilisation.

- N'utilisez pas de lingettes de nettoyage imbibées de produits chimiques, de diluant ou de substances similaires car cela pourrait endommager la surface de l'unité.

ATTENTION

Par sécurité, débranchez le cordon d'alimentation de la prise secteur avant tout nettoyage.

Enregistrement du produit

Si vous êtes client aux USA, veuillez enregistrer votre produit sur le site web TEAC suivant :

<http://audio.teac.com/support/registration/>

Préparation de la platine

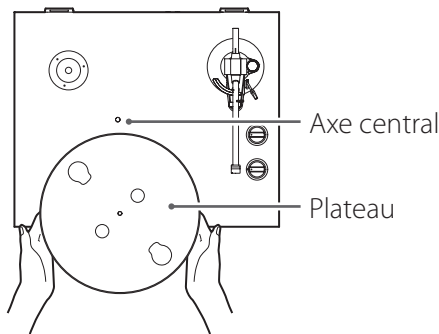
Maintenez l'unité en veille pendant son installation (**E** en pages 26 et 27).

1 Placez-la sur une surface plane.

Comme la hauteur des pieds de cette unité ne peut pas être réglée, veillez bien à la placer sur une surface plane.

2 Installez le plateau.

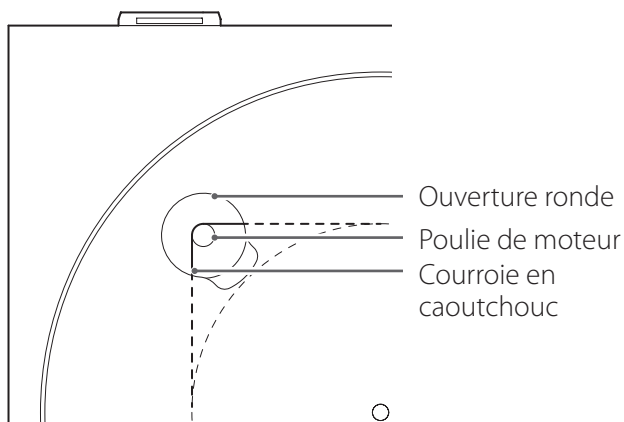
Alignez le plateau avec l'axe central et installez-le.



3 Enroulez la courroie autour de la poulie du moteur.

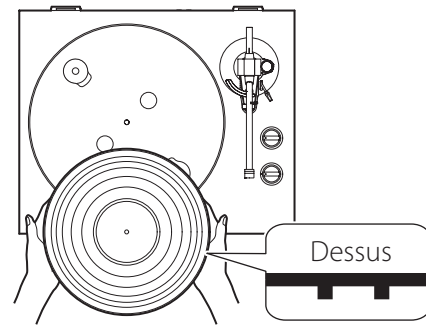
En passant par l'ouverture ronde, utilisez un doigt pour tirer sur la courroie en caoutchouc enroulée autour du sous-plateau et la faire passer autour de la poulie du moteur.

- Faites bien attention à ne pas tordre le caoutchouc.
- Faites tourner plusieurs fois le plateau pour vous assurer que le montage est sûr.



4 Placez le tapis en caoutchouc.

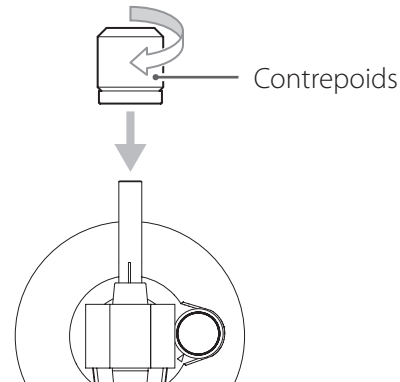
Placez le tapis de protection fourni sur le plateau avant utilisation.



- Le tapis en caoutchouc a un dessus et un dessous. Comme représenté dans l'illustration, le côté avec les nervures circulaires concentriques doit être tourné vers le bas.

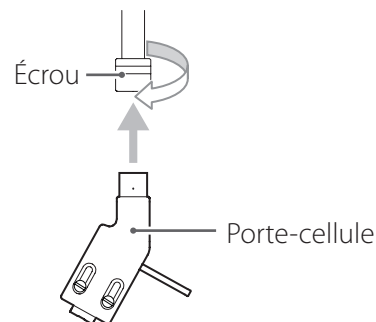
5 Installez le contrepoids.

Placez le contrepoids à l'extrémité du bras de lecture et tournez-le dans le sens horaire pour le visser.



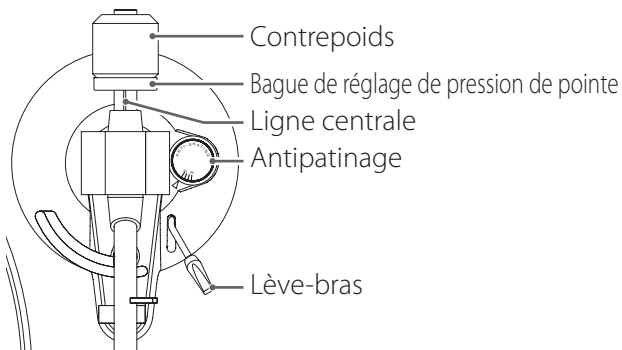
6 Installez le porte-cellule.

Insérez le porte-cellule à l'autre extrémité du bras de lecture et tournez l'écrou pour le fixer en place.



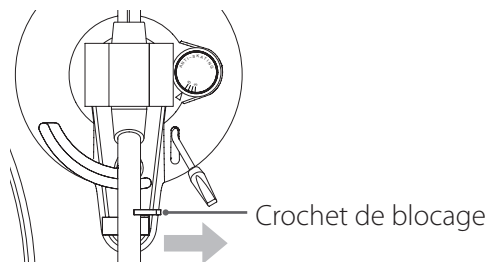
Préparation de la platine (suite)

Équilibrage du bras de lecture et réglage de la pression de la pointe



1 Réglez la molette d'antipatinage sur zéro.

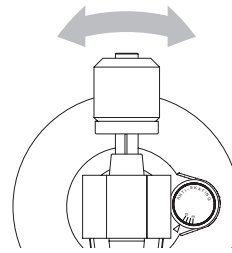
2 Repoussez le crochet de blocage vers la droite pour libérer le bras de lecture.



3 Soulevez le lève-bras et poussez le bras de lecture légèrement vers la gauche.

4 Baissez le lève-bras.

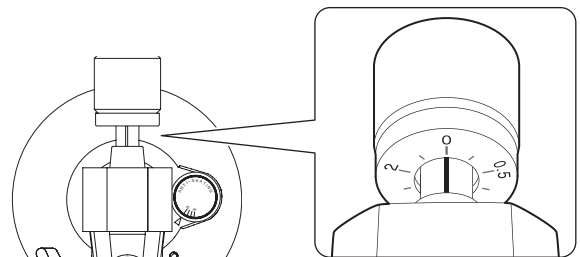
5 Tournez le contrepoids jusqu'à ce que le bras de lecture soit à l'horizontale.



- Retirez le cache de protection de la pointe de la cellule avant de faire les réglages.
- Veillez bien à ne pas laisser la pointe de la cellule toucher l'unité.

6 Ramenez le bras de lecture à sa position d'origine et rabattez le crochet de blocage sur la gauche pour verrouiller le bras.

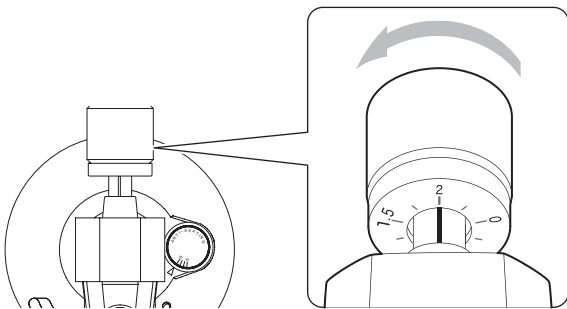
7 Tournez la bague de réglage de pression de la pointe pour que la ligne centrale s'aligne avec le 0 sur la graduation.



- Veillez à ne pas faire tourner le contrepoids.

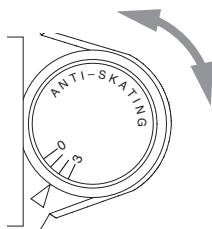
8 Tournez le contrepoids afin que la graduation de la bague de réglage de pression de la pointe corresponde à la valeur de pression de pointe spécifiée pour la cellule.

- La pression de pointe pour la cellule fournie est de 2,0 g.
Donc, tournez le contrepoids jusqu'à la graduation 2 si vous utilisez la cellule fournie.



9 Réglez la molette d'antipatinage.

Commencez en la réglant à 2 et ajustez-la durant la lecture d'un disque (page 31) sur la position qui donne un bon équilibre entre les volumes gauche et droit.



- Les pointes pour disque sont des pièces de précision à manipuler avec précaution pour éviter de tordre ou d'endommager leur extrémité. Si une pointe est tordue ou endommagée, elle pourrait ne plus être en mesure de suivre précisément le sillon audio et pourrait endommager les disques ou causer d'autres dysfonctionnements.
- Si une pointe est sale, utilisez un nettoyant pour pointe du commerce ou un produit similaire pour la nettoyer.
- Ne frottez pas fort sur la pointe avec un objet dur. N'essayez pas la pointe avec un diluant ou d'autres produits chimiques. Cela pourrait l'endommager.

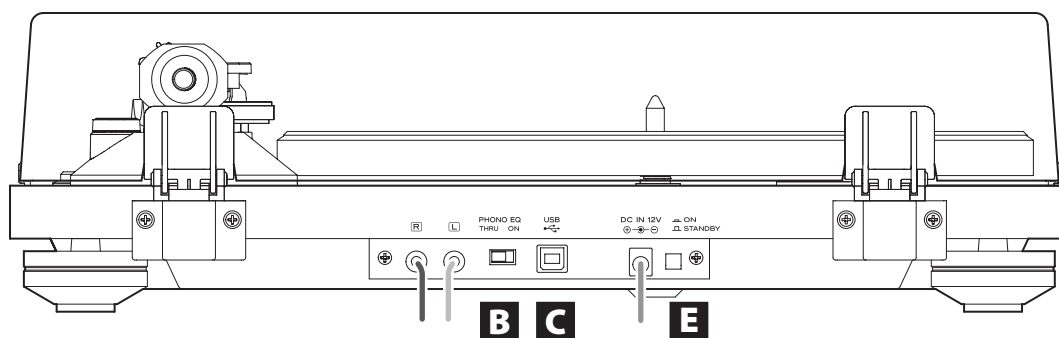
Remplacement de la pointe

La cellule fournie est une AT95E Audio-Technica. Achetez une pointe de rechange pour la cellule AT95E par exemple chez le revendeur auprès duquel vous avez acquis cette unité. Suivez les instructions de remplacement dans le manuel de la pointe de rechange.

ATTENTION

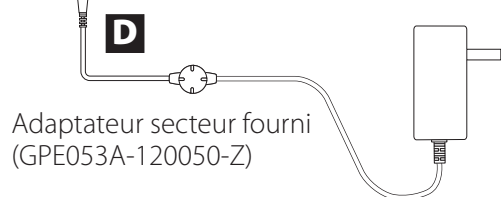
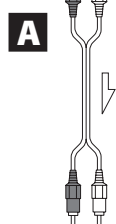
- Comme de forts bruits pourraient soudainement se produire, mettez l'unité en veille avant de changer la pointe.
- Faites attention de ne pas abîmer vos mains ou l'équipement.
- Veillez à ne pas permettre à de petits enfants d'avaler accidentellement les pointes.

Branchements



Quand PHONO EQ est sur ON
Branchez les prises d'entrée audio
de l'amplificateur, etc.

Quand PHONO EQ est sur THRU
Branchez les entrées PHONO d'un
amplificateur, etc.



Adaptateur secteur fourni
(GPE053A-120050-Z)

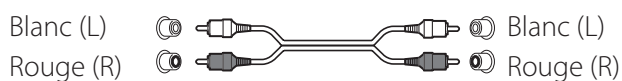
⚠ Précautions lors des branchements

- Ne mettez l'unité sous tension qu'une fois tous les branchements effectués.
- Lisez attentivement les modes d'emploi des appareils que vous branchez et suivez leurs instructions quand vous faites les branchements.

A Prises de sortie audio analogique (L/R)

Ces prises produisent les signaux audio analogiques. Le réglage du sélecteur PHONO EQ change le type de signal produit.

Utilisez le câble audio fourni (ou un modèle du commerce) pour raccorder d'autres appareils aux prises de sortie de cette unité.



B Sélecteur PHONO EQ (réglage de sortie audio)

ON

Les signaux ayant été amplifiés par l'ampli égaliseur intégré sont produits par les prises de sortie audio analogique (L/R).

THRU

Le signal de la cellule à aimant mobile est directement produit par les prises de sortie audio analogique (L/R).

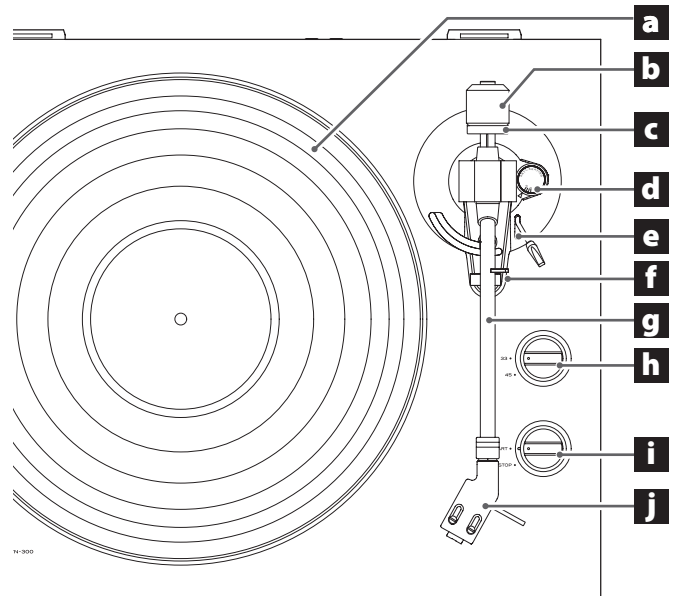
Utilisez cette option pour le branchement d'un équipement ayant des entrées PHONO.

- À la sortie d'usine, ce sélecteur est réglé sur ON.

ATTENTION

Avec un réglage sur ON, si le branchement est fait aux entrées PHONO d'un amplificateur, par exemple, le son produit par les enceintes et le casque sera très fort, ce qui peut endommager l'équipement ou l'audition.

Nomenclature et fonctions des parties



C Port USB (USB type B)

Branchez-le au port USB d'un ordinateur pour convertir le signal audio de cette unité en numérique et l'envoyer à l'ordinateur (page 33).

D Connecteur d'entrée CC

Après avoir fait tous les autres branchements, branchez à cette prise l'adaptateur secteur fourni (GPE053A-120050-Z).

Vérifiez que le bloc d'alimentation de l'adaptateur secteur est branché dans une prise secteur.

- Débranchez le cordon d'alimentation de la prise secteur si vous avez l'intention de laisser l'appareil inutilisé de façon prolongée.
- N'utilisez aucun adaptateur secteur autre que celui fourni (GPE053A-120050-Z).

⚠ Veillez à brancher le cordon d'alimentation dans une prise secteur fournissant la tension correcte. Le branchement à une prise fournissant une tension incorrecte pourrait entraîner un incendie ou une électrocution. Tenez le cordon d'alimentation par sa fiche quand vous le branchez ou le débranchez. Ne tirez jamais sur le cordon lui-même. Débranchez le cordon d'alimentation de la prise secteur si vous avez l'intention de laisser l'appareil inutilisé de façon prolongée.

E Touche STANDBY/ON

Appuyez sur la touche STANDBY/ON pour allumer l'unité ou la mettre en veille (standby).

a Plateau tourne-disque

Placez les disques au centre du plateau.

b Contrepoids

c Bague de réglage de pression de pointe

d Molette d'antipatinage

e Lève-bras

Utilisez ce levier pour soulever le bras de lecture et l'abaisser sur le disque.

f Support de bras de lecture

C'est un support pour poser le bras de lecture. Poussez délicatement le loquet vers la droite pour libérer le bras de lecture avant de lire un disque.

g Bras de lecture

h Bouton de réglage de vitesse de rotation

Règle la vitesse de rotation (tr/min) adaptée au disque.

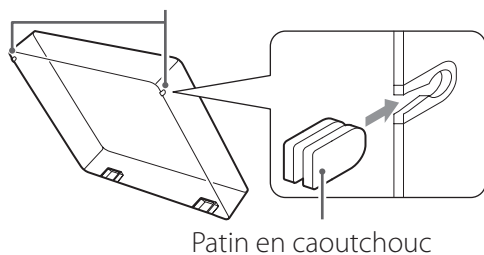
i Bouton START/STOP de rotation du plateau

j Porte-cellule

Couvercle de la platine

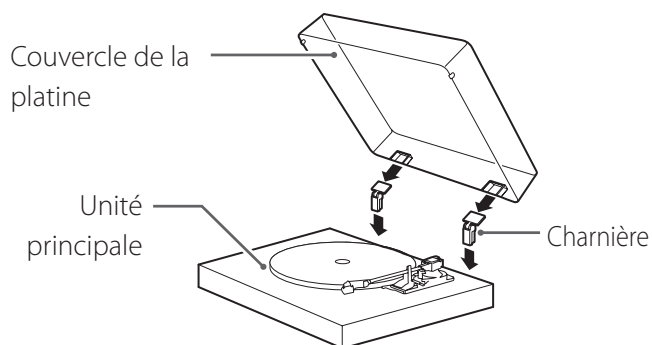
Montage des patins en caoutchouc

Points de fixation des patins en caoutchouc



Comme représenté dans l'illustration, montez les patins en caoutchouc sur les côtés gauche et droit du couvercle de la platine.

Fixation du couvercle de la platine



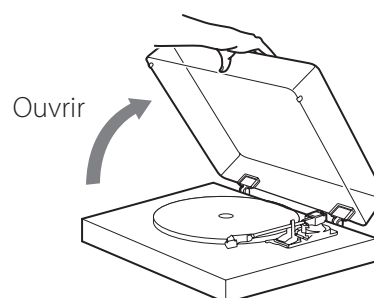
1 Insérez les charnières à fond dans les porte-charnières aux extrémités gauche et droite de l'arrière de l'unité principale.

2 Alignez le haut des charnières avec les porte-charnières du couvercle de la platine et insérez-les.

Dépose du couvercle de la platine

Maintenez les deux bords du couvercle de la platine et soulevez-le lentement pour l'extraire, avec les charnières, de l'unité. Ensuite, retirez les charnières du couvercle de la platine.

Ouverture et fermeture du couvercle de la platine



Ouverture

Tenez le bord avant du couvercle de la platine et soulevez-le délicatement pour l'ouvrir complètement jusqu'à ce qu'il s'arrête.

Le couvercle de la platine restera ouvert dans cette position.

Fermeture

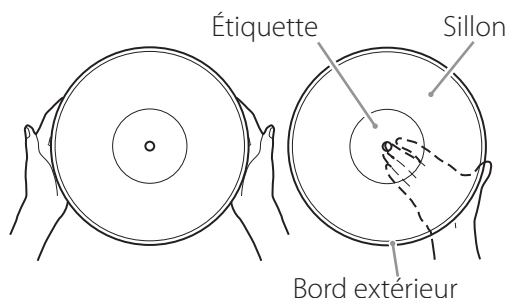
Abaissez doucement le couvercle de la platine jusqu'à ce qu'il soit fermé.

⚠ Veillez à ne pas vous pincer les doigts, par exemple lors de l'ouverture et de la fermeture du couvercle de la platine.

Manipulation des disques

Tenue des disques

Lors de la prise en mains d'un disque ou sa sortie de la pochette, évitez de toucher le sillon en maintenant le disque d'une main entre son étiquette et son bord, ou en le tenant avec les deux mains par son bord.



Nettoyage

- Les traces de doigts et la poussière sur un disque peuvent provoquer du bruit et des sauts de son, ainsi qu'endommager le disque lui-même et la pointe. Utilisez un nettoyant pour disque du commerce pour nettoyer les disques. N'utilisez pas de diluant ni autre chose qu'un nettoyant pour disque. De tels produits chimiques pourraient abîmer la surface du disque.
- Lors de l'utilisation d'un nettoyant pour disque, balayez la surface du disque de façon circulaire, en suivant le sillon.



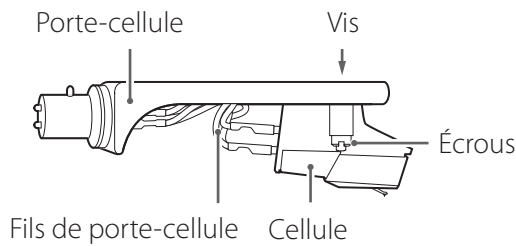
Précautions

- Ne laissez pas les disques dans des lieux exposés directement à la lumière du soleil ou qui sont très humides ou très chauds. Laisser longtemps un disque dans de telles conditions peut le faire gondoler ou lui causer d'autres dommages.
- N'empilez pas plusieurs disques et ne placez pas d'objets lourds dessus. Ne laissez pas non plus les disques de façon prolongée en position inclinée. Cela pourrait les faire gondoler ou leur causer d'autres dommages.
- Ne laissez pas des objets durs entrer en contact direct avec le sillon audio. Cela pourrait entraîner des rayures.
- Une fois que vous avez fini de lire un disque, remettez-le toujours dans sa pochette pour le rangement. Laisser un disque sans protection pourrait le faire gondoler ou le rayer.
- N'employez pas de disques fendus.

Changement de cellule

Pour changer la cellule, commencez par détacher le porte-cellule du bras de lecture.

- Nous vous recommandons de conserver le capuchon de protection de la pointe de cellule en place lors du remplacement de la cellule.

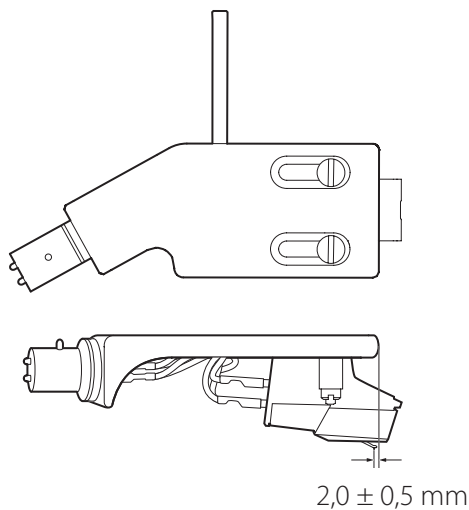


1 Déconnectez de la cellule les fils du porte-cellule.

2 Desserrez les vis et retirez la cellule.

3 Montez la nouvelle cellule et serrez les vis.

Voir l'illustration ci-dessous pour la position des vis après montage.



4 Raccordez les fils du porte-cellule à la cellule.

- Les signaux et les couleurs des fils du porte-cellule sont représentés ci-dessous.

Signal	Couleur
Canal gauche +	Blanc
Canal gauche -	Bleu
Canal droit +	Rouge
Canal droit -	Vert

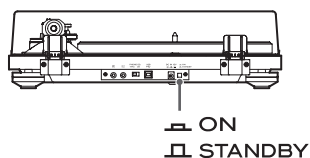
5 Équilibrez le bras de lecture et réglez la pression de la pointe.

Suivez les procédures décrites dans « Équilibrage du bras de lecture et réglage de la pression de la pointe » en page 24.

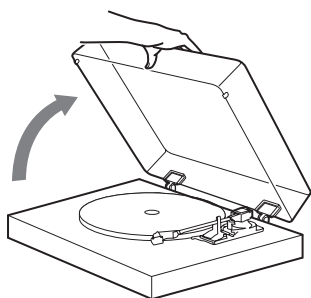
Fonctionnement de base

Lecture des disques

- 1 Appuyez sur la touche STANDBY/ON à l'arrière de l'unité pour la mettre sous tension.**



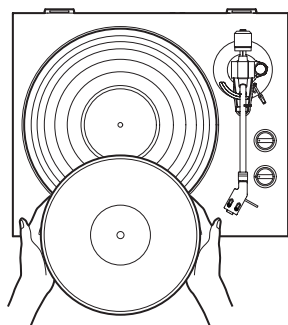
- 2 Ouvrez lentement le couvercle de la platine.**



- ⚠ Veillez à ne pas vous pincer les doigts, par exemple lors de l'ouverture et de la fermeture du couvercle de la platine.**

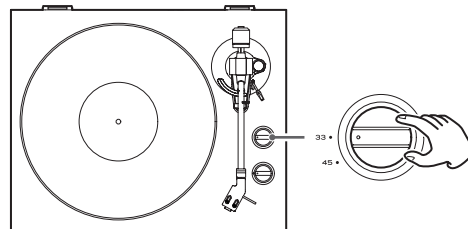
- 3 Placez un disque sur le plateau.**

Pour lire un 45 tr/min à grand trou central, utilisez l'adaptateur fourni.

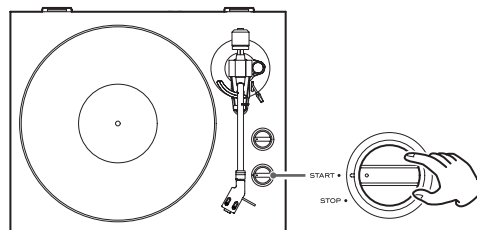


- 4 Réglez la vitesse de rotation (tr/min) en fonction du disque.**

La vitesse de rotation peut être réglée sur 33 1/3 ou 45 tr/min.

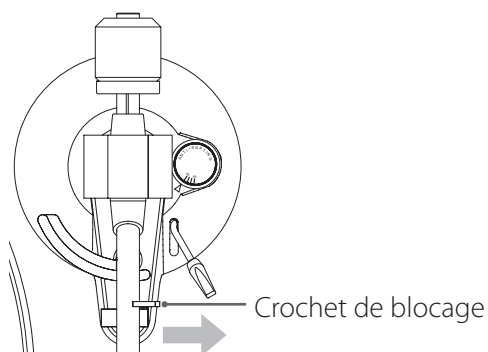


- 5 Tournez le bouton START/STOP en position START pour faire démarrer le plateau.**



- Quand le bouton START/STOP est réglé sur START, le plateau commence à tourner et la LED bleue s'allume.

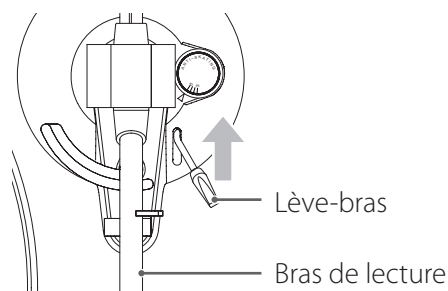
- 6 Repoussez le crochet de blocage vers la droite pour libérer le bras de lecture.**



Suite à la prochaine page ➔

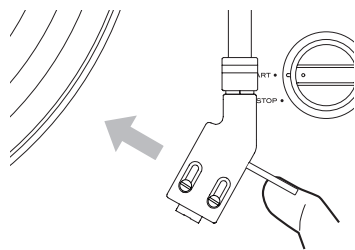
Fonctionnement de base (suite)

7 Soulevez le lève-bras.



- Vous pouvez aussi laisser le lève-bras baissé et amener le bras de lecture au-dessus du disque puis l'y poser lentement pour lancer la lecture.

8 Amenez le bras de lecture sur le bord du disque ou de la plage dont vous souhaitez lancer la lecture.



9 Abaissez le lève-bras.

Abaissez lentement le bras de lecture jusqu'à ce que la pointe touche le disque et que la lecture commence.

- Nous vous recommandons de fermer le couvercle de la platine durant la lecture d'un disque pour éviter la poussière.

⚠ Ne placez rien sur le couvercle de la platine. Les objets posés sur le couvercle peuvent provoquer du bruit dû aux vibrations ou tomber, en particulier lors de la lecture.

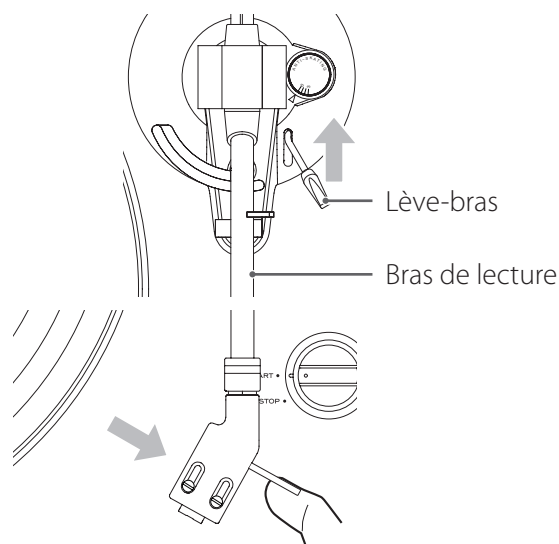
ATTENTION

- Durant la lecture, ne touchez pas le bras de lecture ni le disque qui tourne.
- N'arrêtez pas la rotation du plateau durant la lecture.

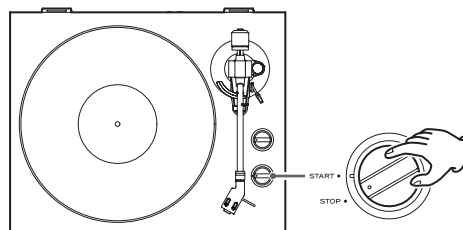
Durant la lecture du disque, une réinjection du signal (« larsen ») peut se produire si le volume est trop fort. Si cela se produit, baissez le volume de l'amplificateur.

Lorsque la lecture est terminée

1 Soulevez légèrement le lève-bras ou la patte du porte-cellule et ramenez le bras de lecture à sa position de repos.



2 Ramenez le bouton START/STOP sur STOP pour arrêter le plateau.



- Quand le plateau s'arrête, la LED bleue s'éteint.

Enregistrement avec un ordinateur

Branchez cette platine tourne-disque à un ordinateur au moyen du câble USB fourni pour convertir les signaux audio d'un disque en données numériques et les envoyer à l'ordinateur.

Systèmes d'exploitation pris en charge

Des ordinateurs fonctionnant sous les systèmes d'exploitation suivants peuvent être connectés par USB à cette unité.

Windows

- Windows 7 (32 bits, 64 bits)
- Windows 8 (32 bits, 64 bits)
- Windows 8.1 (32 bits, 64 bits)
- (à date de septembre 2014)

Mac OS X

- OS X Lion 10.7
- OS X Mountain Lion 10.8
- OS X Mavericks 10.9
- (à date de septembre 2014)

Le fonctionnement avec des systèmes d'exploitation autres que ceux-ci n'est pas garanti.

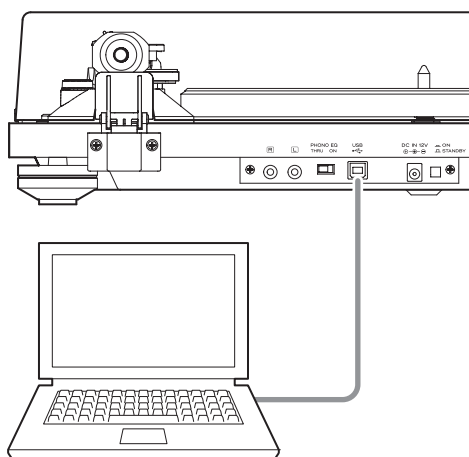
- Cette unité fonctionnera avec le pilote standard du système d'exploitation (OS), donc il n'y a pas besoin d'installer un pilote spécial.

Branchement à un ordinateur

1 Mettez l'ordinateur sous tension.

Vérifiez que le système d'exploitation fonctionne correctement.

2 Utilisez le câble USB pour relier l'ordinateur à cette unité.



3 Appuyez sur la touche STANDBY/ON de cette unité pour l'allumer.

Quand ils sont connectés, l'ordinateur détecte automatiquement le port USB de cette unité et l'identifie comme « USB Audio CODEC ».

- Pour enregistrer de l'audio avec un ordinateur depuis cette platine tourne-disque, vous devez installer un logiciel permettant l'enregistrement audio sur l'ordinateur. Vous pouvez acheter un logiciel d'enregistrement audio ou en télécharger un gratuit, comme Audacity (<http://audacity.sourceforge.net/>), sur internet. TEAC n'assure pas d'assistance pour Audacity.
- Lorsqu'un ordinateur est connecté par USB et enregistre de l'audio, n'effectuez aucune des opérations suivantes. Cela pourrait entraîner un mauvais fonctionnement de l'ordinateur. Quittez toujours le logiciel d'enregistrement de l'ordinateur avant de faire ce qui suit.
 - Déconnecter le câble USB
 - Mettre l'unité en veille

Réglages de l'ordinateur

L'exemple suivant explique les réglages à faire quand on utilise Windows 7.

1 Dans le menu Démarrer, sélectionnez Panneau de configuration.

2 Cliquez sur « Son ».

3 Cliquez sur l'onglet « Enregistrement » et vérifiez que « USB Audio CODEC » est défini comme « Périphérique par défaut ».

4 Sélectionnez « Microphone USB Audio CODEC » et cliquez sur le bouton Propriétés.

5 Cliquez sur l'onglet « Statistiques avancées ».

6 Dans le menu déroulant « Format par défaut », sélectionnez « canal 2, 16 bits, 48000 Hz (Qualité DVD) ».

7 Cliquez sur « OK ».

Si vous avez un problème avec cette unité, veuillez vérifier les points suivants avant de demander une intervention. Le problème pourrait aussi venir d'ailleurs que de cette unité. Vérifiez aussi que les appareils qui lui sont connectés sont correctement employés.

Si cette unité ne fonctionne toujours pas correctement, contactez le revendeur chez qui vous l'avez achetée.

Pas d'alimentation.

- ➔ Vérifiez que l'adaptateur secteur est branché à une prise secteur. Puis appuyez sur la touche STANDBY/ON pour allumer l'unité (page 26).

Il n'y a pas de son.

- ➔ Pour brancher les prises de sortie audio analogique de cette unité aux prises d'entrée audio d'un amplificateur ou autre équipement, réglez le sélecteur PHONO EQ (réglage de sortie audio) sur ON (page 26).

La lecture est impossible, il y a du bruit.

- ➔ Vérifiez que le cache de la pointe (en plastique blanc) a été retiré.
- ➔ Nettoyez la pointe (page 25).
- ➔ Si la pointe est usée, remplacez-la (page 25).
- ➔ Éloignez autant que possible l'unité des téléviseurs, fours à micro-ondes et autres appareils qui émettent des ondes électromagnétiques.

La hauteur est incorrecte.

- ➔ Réglez la vitesse de rotation (tr/min) adaptée au disque (page 31).

Le son saute.

- ➔ Des vibrations entraînent des sauts. Placez cette unité dans un endroit stable.
- ➔ Si le disque est sale, nettoyez-le.
- ➔ N'employez pas de disques rayés.
- ➔ Équilibrez le bras de lecture et réajustez la pression de la pointe (page 24).

Si la pression de la pointe est plus basse que la valeur prévue pour la cellule, il y a plus de risques de saut.

Caractéristiques techniques

Platine

Système d'entraînement.....Par courroie
Moteurmoteur CC
Vitesse de rotation.....33 1/3 tr/min, 45 tr/min
Variation de la vitesse de rotation±2 %
Pleurage et scintillement 0,2 %
Rapport signal/bruit
67 dB ou plus (pondération A, filtre passe-bas 20 kHz)
Plateau Aluminium moulé de 30 cm de diamètre

Bras de lecture

Type de bras
Bras de lecture à tubulure droite et équilibrage statique
Longueur utile du bras..... 223 mm
Plage de variation de pression de la pointe.....0-5 g
Poids de cellule acceptable 3,5-6,5 g

Cellule

Type..... MM (aimant mobile)
Tension de sortie 2,5 mV ±3 dB
Pression de la pointe..... 2,0 ±0,5 g
Poids de la cellule..... 5,7 ±0,5 g
Poids avec porte-cellule ... 10 g (vis, écrous et fils compris)

Tension de sortie

PHONO EQ THRU2,5 mV ± 3 dB
PHONO EQ ON 155 mV (-16 dBV)
Prises de sortieRCA

Port USB

Port USB pouvant recevoir une alimentation par le bus USB de l'ordinateur (pleine vitesse)

Connecteur USB type B

Prise en charge de l'alimentation par bus USB...5 V, 500 mA

- Utilisez le câble USB fourni pour relier l'unité à un ordinateur en vue d'être alimentée par lui.

Générales

Adaptateur secteur
EntréeCA 100 V – CA 240 V, 50-60 Hz
Sortie 12 V, 500 mA
Consommation électrique
En veille..... 0,5 W ou moins
En service (START) 1,5 W ou moins
Poids4,9 kg
Température de fonctionnement 5°C à 35°C
Dimensions (L x H x P) (hors tout) ... 420 x 356 x 117 mm

- Les données de performance sont spécifiées à 20 °C.

Accessoires fournis

Tapis en caoutchouc × 1
Adaptateur 45 tr/min × 1
Contrepoids × 1
Porte-cellule × 1
Cellule à aimant mobile AT95E
(fabriquée par Audio-Technica) déjà montée
Plateau × 1
Couvercle de la platine × 1
Patins en caoutchouc pour couvercle de platine × 2
Charnières × 2
Câble audio × 1
Câble USB × 1
Adaptateur secteur (GPE053A-120050-Z) × 1
Mode d'emploi (ce document) × 1
Garantie × 1 (pour les consommateurs aux USA et au Canada uniquement)

- Caractéristiques techniques et aspect sont sujets à changements sans préavis.
- Le poids et les dimensions sont des valeurs approchées.
- Les illustrations de ce mode d'emploi peuvent légèrement différer des modèles de production.

INSTRUCCIONES IMPORTANTES DE SEGURIDAD

Modelo para EE. UU.

Este dispositivo cumple con el apartado 15 de las Normas de la FCC. El funcionamiento está sujeto a las dos siguientes condiciones: (1) este dispositivo no puede causar interferencias perjudiciales y (2) este dispositivo debe aceptar cualquier interferencia recibida, incluyendo aquellas que puedan producir un funcionamiento no deseado.

Se ha comprobado que este equipo cumple con los límites establecidos para los dispositivos digitales de Clase B, de acuerdo con el apartado 15 de las Normas de la FCC. Estos límites están diseñados para proporcionar una protección razonable contra interferencias perjudiciales en instalaciones residenciales. Este equipo genera, utiliza y puede irradiar energía de radiofrecuencia y, si no se instala y se utiliza de acuerdo con las instrucciones, puede causar interferencias perjudiciales en las comunicaciones por radio. Sin embargo, no se puede garantizar que dichas interferencias no se produzcan en instalaciones particulares. Si este equipo causa interferencias perjudiciales en la recepción de radio o televisión, que se comprueban apagando y encendiendo el equipo, se recomienda al usuario que intente corregirla mediante una o varias de las siguientes medidas:

- Reoriente o recolocque el equipo y/o la antena receptora.
- Aumente la separación entre el equipo y el receptor.
- Conecte el equipo a una toma de electricidad situada en un circuito eléctrico diferente al del receptor.
- Consulte al distribuidor o solicite ayuda a un técnico de radio/TV con experiencia.

Declaración de conformidad

Parte responsable: TEAC AMERICA, INC.
Dirección: 1834 Gage Road, Montebello, California,
U.S.A.

Número de teléfono: 1-323-726-0303

Este dispositivo cumple con el apartado 15 de las Normas de la FCC. Su funcionamiento está sujeto a las dos siguientes condiciones: (1) este dispositivo no puede causar interferencias perjudiciales y (2) este dispositivo debe aceptar cualquier interferencia recibida, incluyendo aquellas que puedan producir un funcionamiento no deseado.



DECLARACIÓN DE CONFORMIDAD

TEAC AUDIO EUROPE, Liegnitzer Straße 6, 82194
Gröbenzell, Alemania, declara bajo su plena responsabilidad que el producto TEAC descrito en este manual cumple con las normas técnicas correspondientes.



PRECAUCIÓN

Cualquier cambio o modificación efectuada en este equipo que no haya sido expresamente aprobada por TEAC CORPORATION para confirmar que cumple todos los requisitos exigidos invalidará la garantía del usuario.

Para consumidores europeos

Deshacerse de aparatos eléctricos y electrónicos

- (a) Todos los aparatos eléctricos y electrónicos deben ser eliminados separados del resto de basura común y únicamente en los "puntos limpios" o bajo los procedimientos especificados por el gobierno o autoridades municipales locales.
- (b) Con la eliminación correcta de los equipos eléctricos y electrónicos estará ayudando a conservar recursos muy valiosos y a evitar los posibles efectos negativos en la salud humana y en el medio ambiente.
- (c) La eliminación incorrecta de los equipos eléctricos y electrónicos puede producir efectos muy dañinos en el medio ambiente y en la salud humana a causa de las sustancias peligrosas que pueden encontrarse en estos equipos.
- (d) El símbolo de Eliminación de Aparatos Eléctricos y Electrónicos (WEEE en inglés), identificado por un cubo de basura con ruedas tachado, indica que los equipos eléctricos y electrónicos deben ser eliminados de forma totalmente independiente con respecto a la basura doméstica.
- (e) Existen sistemas para la eliminación y recogida de este tipo de aparatos a disposición del usuario final. Si necesita más información acerca de la forma de deshacerse de aparatos eléctricos y electrónicos antiguos, póngase en contacto con su Ayuntamiento, con la correspondiente empresa del servicio de recogida de residuos o con el comercio en el que adquirió ese aparato.



Deshacerse de pilas y/o acumuladores

- (a) Las pilas y/o acumuladores gastados deben ser eliminados separados del resto de basura común y únicamente en los "puntos de recogida" o bajo los procedimientos especificados por el gobierno o autoridades municipales locales.
- (b) Con la eliminación correcta de las pilas y/o acumuladores gastados estará ayudando a conservar recursos muy valiosos y a evitar los posibles efectos negativos en la salud humana y en el medio ambiente.
- (c) La eliminación incorrecta de las pilas y/o acumuladores gastados puede producir efectos muy dañinos en el medio ambiente y en la salud humana con motivo de las sustancias peligrosas que pueden encontrarse en estos equipos.
- (d) El símbolo WEEE, identificado por un cubo de basura con ruedas tachado, indica que las pilas y/o acumuladores gastados deben ser eliminados de forma totalmente independiente con respecto a la basura doméstica. **Pb, Hg, Cd**
- (e) Si una pila o un acumulador contienen más cantidad de los valores especificados de plomo (Pb), mercurio (Hg), y/o cadmio (Cd) según está definido en la Directiva relativa a las pilas (2006/66/EC), entonces los símbolos químicos correspondientes a estos elementos estarán indicados debajo del símbolo WEEE.
- (e) Existen sistemas para la eliminación y recogida a disposición del usuario final. Si necesita más información acerca de la forma de eliminar pilas y/o acumuladores gastados, póngase en contacto con su Ayuntamiento, con la correspondiente empresa del servicio de recogida de residuos o con el comercio donde se adquirieron.



Índice

Gracias por elegir TEAC. Lea este manual atentamente para obtener el mejor rendimiento de esta unidad.

INSTRUCCIONES IMPORTANTES DE SEGURIDAD.....	36
Antes de su utilización.....	37
Preparación del reproductor de discos de vinilo.....	39
Notas sobre las agujas para discos.....	41
Conexiones.....	42
Nombres y funciones de las partes.....	43
Tapa del plato giradiscos.....	44
Manejo de los discos de vinilo.....	45
Cambio de la cápsula.....	46
Funcionamiento básico.....	47
Grabación con un ordenador.....	49
Solución de posibles fallos.....	50
Especificaciones.....	51

- No exponga este aparato a salpicaduras ni goteras.
- No coloque objetos que contengan líquidos, como por ejemplo jarrones, sobre el aparato.
- No instale este aparato en lugares cerrados tales como estanterías o similares.
- Este aparato libera corriente nominal no válida para el funcionamiento a través de la toma de corriente, aún cuando el interruptor de encendido y activación (POWER o STANDBY/ON) no esté en la posición de encendido (ON).
- Este aparato debe situarse lo suficientemente cerca de una toma de electricidad como para poder alcanzar fácilmente el cable de corriente en cualquier momento.
- El enchufe que se conecta a la red es el dispositivo de desconexión, por lo que deberá permanecer siempre en perfecto estado de uso.
- Deberá llevar cuidado si utiliza auriculares con este producto, ya que una excesiva presión sonora (volumen) procedente de los mismos puede causar pérdidas de audición.

Antes de su utilización

Artículos incluidos

Asegúrese de que la caja incluye todos los accesorios suministrados que se describen a continuación. Por favor, póngase en contacto con el establecimiento donde adquirió esta unidad si falta cualquiera de estos accesorios o si han sufrido desperfectos durante el transporte.

- Alfombrilla de goma × 1
- Adaptador de 45 RPM × 1
- Contrapeso × 1
- Cabezal × 1
 - Cápsula AT95E MM (fabricada por Audio-Technica) preinstalada
- Plato giradiscos × 1
- Tapa del plato giradiscos × 1
- Patas de goma para la tapa del plato giradiscos × 2
- Bisagras × 2
- Cable de audio × 1
- Cable USB × 1
- Adaptador de corriente (GPE053A-120050-Z) × 1
- Manual del usuario (este documento) × 1
 - Conserve este manual en un lugar seguro para futuras consultas.
- Tarjeta de garantía × 1 (solo para clientes de EE. UU. y Canadá)
 - Consulte la contraportada de este manual para información sobre la garantía en Europa y otros países o zonas.

Antes de su utilización (continuación)

Precauciones de uso

- No coloque nada sobre la tapa del plato giradiscos. Los objetos situados sobre la tapa podrían causar ruido debido a las vibraciones o caerse, especialmente durante la reproducción.
- Evite situar la unidad directamente a la luz del sol, cerca de una fuente de calor o en condiciones similares. No coloque la unidad encima de un amplificador u otros equipos que puedan generar calor que exceda el margen de la temperatura de funcionamiento de esta unidad. Si lo hace podría causar que la unidad se decolore, se deforme o que funcione incorrectamente.
- Dado que la unidad podría calentarse durante el funcionamiento, deje siempre espacio suficiente a su alrededor para una correcta ventilación. Cuando instale la unidad, deje un poco de espacio (al menos 20 cm) entre la unidad y otros dispositivos y paredes para permitir una buena disipación del calor. Cuando la coloque en un rack, por ejemplo, deje al menos 35 cm libres por encima de la unidad y 10 cm libres por detrás. Si no deja estos espacios libres, el calor puede acumularse en su interior y provocar fuego.
- NO MUEVA LA UNIDAD DURANTE LA REPRODUCCIÓN. Durante la reproducción, un disco de vinilo gira. No levante ni mueva la unidad durante la reproducción. Si lo hace, podría dañar el disco, la aguja, la cápsula o la unidad.
- Quite siempre el disco antes de mover esta unidad o cambiarla de sitio. Si mueve la unidad con un disco en el plato giradiscos podría dañar el disco, la aguja y la cápsula o podría causar un mal funcionamiento.
- El voltaje suministrado a la unidad debe coincidir con el voltaje impreso en el panel posterior. Si tiene dudas al respecto, consulte a un electricista.

Mantenimiento

Si la superficie de la unidad se ensucia, límpiela con un paño suave o utilice un jabón líquido suave diluido. Deje que la superficie de la unidad se seque por completo antes de usarla.

- No utilice paños de limpieza impregnados con productos químicos, disolvente o sustancias similares ya que podría dañar la superficie de la unidad.

PRECAUCIÓN

Por seguridad, desconecte el cable de corriente de la toma de electricidad antes de proceder a la limpieza.

Registro del producto

Los clientes de EE. UU., por favor visiten el siguiente sitio web de TEAC para registrar su producto en línea:

<http://audio.teac.com/support/registration/>

Preparación del reproductor de discos de vinilo

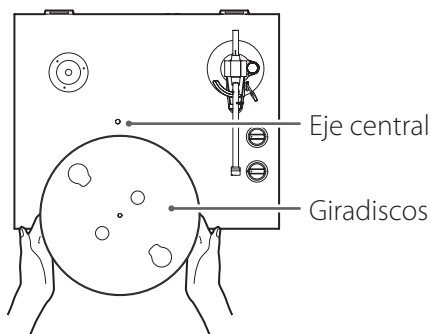
Mantenga la unidad en modo de reposo (standby) hasta que la configure (E en las páginas 42 y 43).

1 Colóquela sobre una superficie nivelada.

Dado que no se puede ajustar la altura de los pies de esta unidad, asegúrese de colocarla en una superficie nivelada.

2 Instale el plato giradiscos.

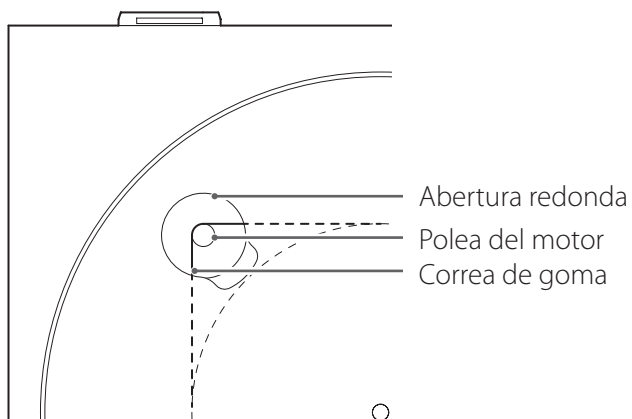
Alinee el plato giradiscos con el eje central e instáelo.



3 Fije la correa alrededor de la polea del motor.

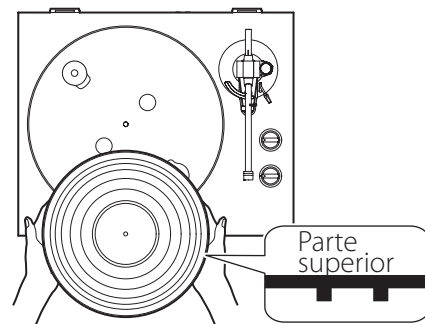
Utilice un dedo para tirar de la correa de goma que está envuelta alrededor del subplato a través de la abertura redonda y colóquela alrededor de la polea del motor.

- Lleve cuidado para que la goma no se retuerza.
- Gire el plato varias veces para confirmar que se ha puesto bien.



4 Coloque la alfombrilla de goma.

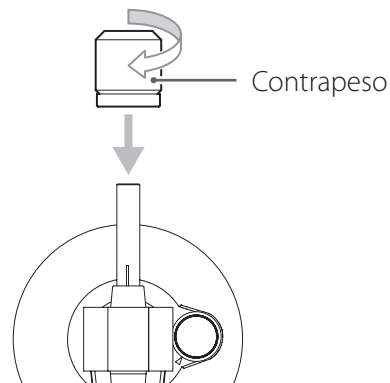
Coloque la alfombrilla protectora de goma incluida sobre el plato giradiscos antes de utilizarlo.



- La alfombrilla de goma tiene una parte superior y una inferior. El lado con los círculos concéntricos debe colocarse hacia abajo, tal como se muestra en la ilustración.

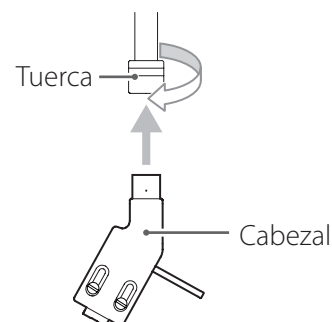
5 Instale el contrapeso.

Coloque el contrapeso en el extremo del brazo y gírelo hacia la derecha para apretarlo.



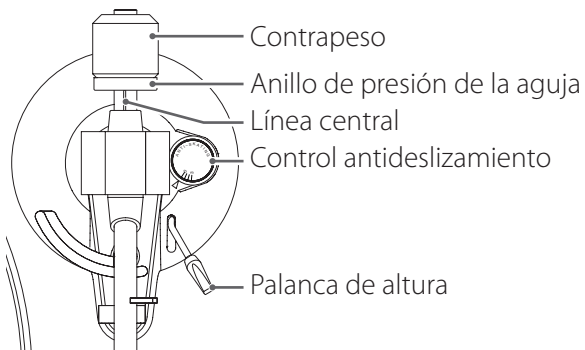
6 Instale el cabezal.

Introduzca el cabezal en el extremo del brazo de lectura y gire la tuerca para fijarlo en su sitio.



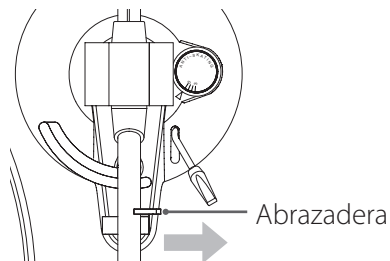
Preparación del reproductor de discos de vinilo (continuación)

Cómo equilibrar el brazo y ajustar la presión de la aguja



1 Ajuste la rueda antideslizamiento en cero.

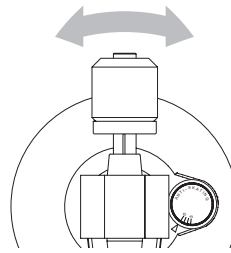
2 Desplace la abrazadera de sujeción del brazo hacia la derecha para liberar el brazo.



3 Levante la palanca de altura y desplace el brazo ligeramente hacia la izquierda.

4 Baje la palanca de altura.

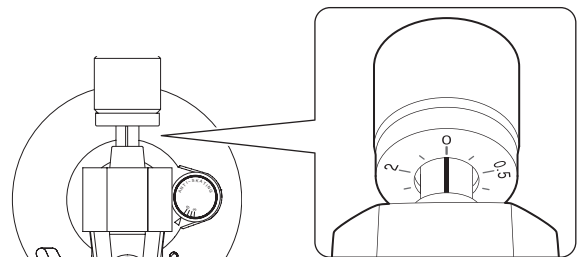
5 Gire el contrapeso y ajústelo de manera que el brazo quede nivelado.



- Quite la cubierta de protección de la aguja de la cápsula antes de hacer los ajustes.
- Lleve cuidado para que la aguja de la cápsula no toque la unidad.

6 Vuelva a poner el brazo en su posición original y desplace la abrazadera de sujeción del brazo hacia la izquierda para fijarlo en su sitio.

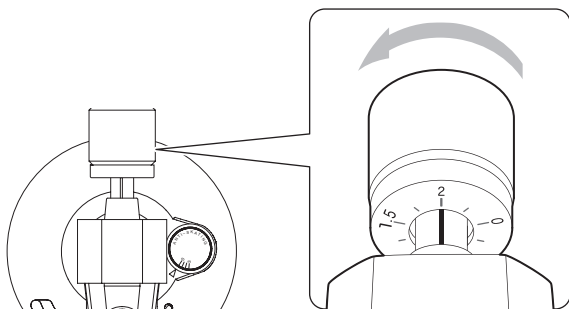
7 Gire el anillo de ajuste de presión de la aguja de modo que la línea central quede alineada con el 0 de la escala.



- Lleve cuidado de no girar el contrapeso.

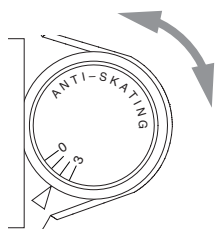
8 Gire el contrapeso de forma que la escala del anillo de ajuste de presión de la aguja coincida con la presión especificada para la cápsula.

- La presión de la aguja de la cápsula que viene incluida con la unidad es de 2,0 g.
Por tanto, cuando utilice la cápsula incluida, gire la escala del contrapeso hasta el número 2.



9 Ajuste la rueda antideslizamiento.

Comience con ella puesta en 2 y ajústela durante la reproducción de un disco (página 47) a la posición donde los volúmenes de la izquierda y de la derecha estén equilibrados.



- Las agujas para los discos de vinilo son piezas de precisión, por tanto deberá manejarlas con cuidado para evitar que se doblen o se dañen sus puntas. Si una aguja se dobla o se daña su punta, podría no ser capaz de seguir los surcos de audio con precisión y podría dañar los discos o provocar otras anomalías de funcionamiento.
- Si una aguja se ensucia, para limpiarla utilice un limpiador de agujas o un producto similar de los que se pueden adquirir en establecimientos comerciales.
- No frote la punta de la aguja con nada duro ni con excesiva fuerza. No limpie la aguja con disolvente y otras sustancias químicas. Si lo hace podría dañarla.

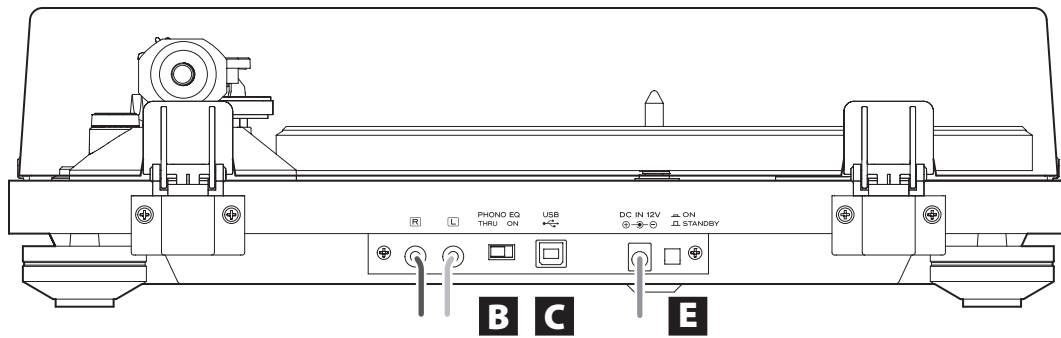
Sustitución de la aguja

La cápsula incluida es una Audio-Technica AT95E. Compre una aguja de repuesto para la cápsula AT95E en el establecimiento donde haya comprado esta unidad, por ejemplo. Siga las instrucciones de sustitución de la aguja que vengan en su manual.

PRECAUCIÓN

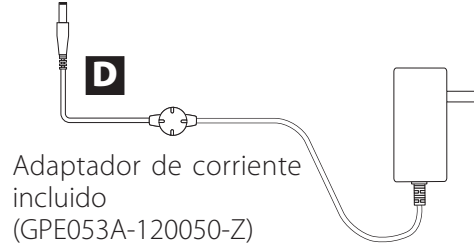
- Puesto que se pueden producir ruidos repentinos a alto volumen, ponga la unidad en reposo (standby) antes de cambiar la aguja.
- Lleve cuidado de no lastimarse la mano o dañar el equipo.
- Lleve cuidado de no permitir que los niños pequeños puedan tragarse las agujas accidentalmente.

Conexiones



Si PHONO EQ está en ON
Se conecta a los terminales de entrada de audio de un amplificador, etc.

Si PHONO EQ está en THRU
Se conecta a las entradas PHONO de un amplificador, etc.



Adaptador de corriente incluido
(GPE053A-120050-Z)

⚠ Precauciones al hacer las conexiones

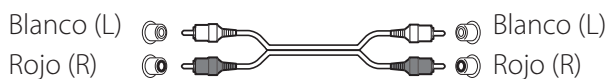
- No enchufe la unidad a la corriente hasta que no haya terminado de hacer todas las conexiones.
- Lea atentamente los manuales de los dispositivos que está conectando y siga sus instrucciones para hacer las conexiones.

A Terminales de salida de audio analógico (L/R) (izquierda/derecha)

Por estos terminales entran y salen las señales de audio analógico.

El ajuste del interruptor PHONO EQ cambia el tipo de señal de salida.

Utilice el cable de audio incluido (o uno de los que se pueden adquirir en establecimientos comerciales) para conectar otros equipos a los terminales de salida de esta unidad.



B Terminal PHONO EQ (ajuste de salida de audio)

ON

A los terminales de salida de audio analógico (L/R) (izquierda/derecha) se envían las señales que se han amplificado mediante el amplificador-equalizador integrado.

THRU

A los terminales de salida de audio analógico (L/R) (izquierda/derecha) se envía directamente la señal de la cápsula magnética.

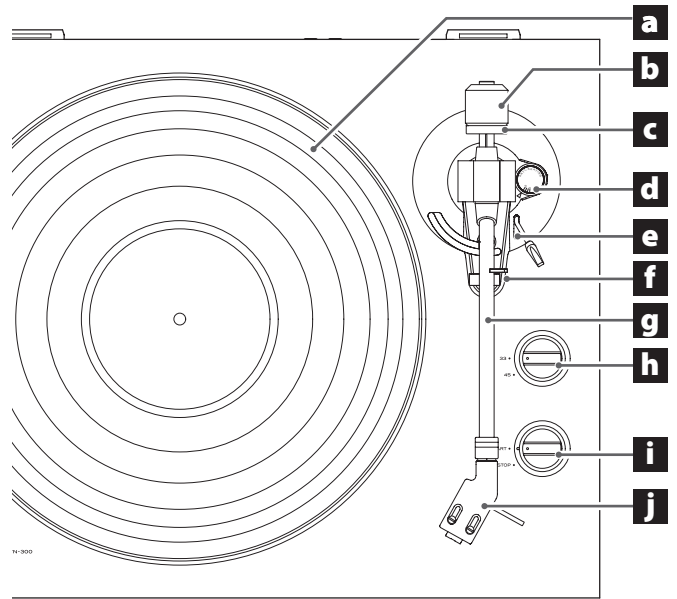
Utilice este ajuste cuando conecte esta unidad a un equipo que tenga entradas PHONO.

- Cuando la unidad sale de fábrica, su ajuste predefinido es ON.

PRECAUCIÓN

Cuando está puesto en ON, si se conectan las salidas de audio analógico a las entradas PHONO de un amplificador, la salida de sonido por los altavoces y los auriculares será a gran volumen, lo que puede dañar el equipo o producir daños auditivos.

Nombres y funciones de las partes



C Puerto USB (tipo USB B)

Conecte este puerto al puerto USB de un ordenador para convertir la señal de audio de esta unidad a digital y enviarla al ordenador (página 49).

D Conector de entrada de corriente DC IN 12V

Una vez terminadas todas las demás conexiones, conecte el adaptador de corriente incluido (GPE053A-120050-Z) a este terminal.

Confirme que el enchufe del adaptador de corriente está enchufado en una toma de corriente.

- Desenchufe el cable de corriente de la toma de electricidad cuando no vaya a utilizar la unidad durante un largo periodo de tiempo.
- No utilice ningún otro adaptador de corriente que no sea el incluido (GPE053A-120050-Z).

⚠ Asegúrese de conectar el cable de corriente a una toma de electricidad que suministre el voltaje correcto.

La conexión a una toma con el voltaje incorrecto puede originar fuego o descargas eléctricas.

Sujete el bloque del enchufe al enchufarlo o desenchufarlo de una toma de electricidad. No tire nunca del cable de corriente. Desenchufe el cable de corriente de la toma de electricidad cuando no vaya a utilizar la unidad durante un largo periodo de tiempo.

E Botón STANDBY/ON

Pulse el botón STANDBY/ON para encender (ON) o poner en reposo (STANDBY) la unidad.

a Plato giradiscos

Coloque los discos de vinilo centrados en el plato.

b Contrapeso

c Anillo de ajuste de presión de la aguja

d Rueda antideslizamiento

e Palanca de altura

Utilice esta palanca para levantar el brazo y bajarlo sobre el disco.

f Sujeción del brazo

Esta pieza es donde descansa el brazo del giradiscos. Empuje con suavidad la abrazadera hacia la derecha para liberar el brazo del giradiscos antes de reproducir un disco.

g Brazo

h Mando de ajuste de la velocidad de giro

Con él se ajusta la velocidad de giro (RPM) adecuada para cada disco de vinilo.

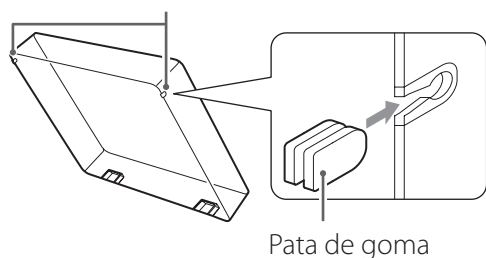
i Control START/STOP de inicio/parada de giro del plato

j Cabezal

Tapa del plato giradiscos

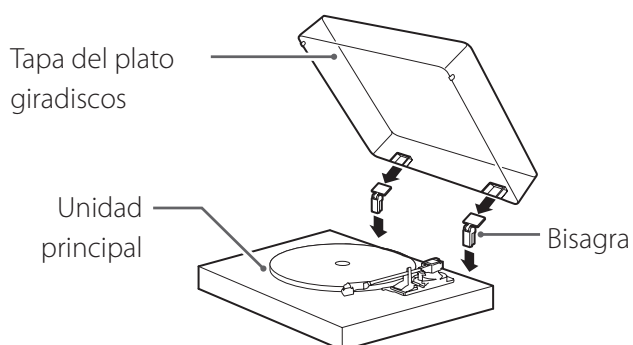
Colocación de las patas de goma

Puntos de sujeción de las patas de goma



Como se muestra en la ilustración, encaje las patas de goma en los laterales izquierdo y derecho de la tapa del plato giradiscos.

Montaje de la tapa del plato giradiscos

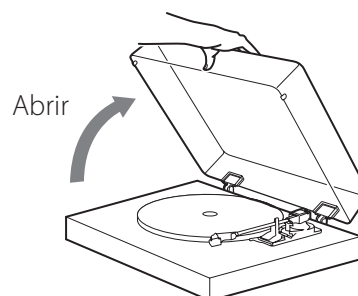


- 1** Inserte las bisagras por completo en las sujeciones situadas en los extremos izquierdo y derecho de la parte posterior de la unidad principal.
- 2** Alinee las partes de arriba de las bisagras con las sujeciones que para ellas hay en la tapa del plato giradiscos e insértelas.

Cómo quitar la tapa del plato giradiscos

Sujete ambos bordes de la tapa del plato giradiscos y levántela lentamente para separarla de la unidad junto con las bisagras. A continuación, quite las bisagras de la tapa del plato giradiscos.

Apertura y cierre de la tapa del plato giradiscos



Apertura

Sujete el borde frontal de la tapa del plato giradiscos y levántela suavemente para abrirla hasta que no tenga más recorrido.

La tapa permanecerá abierta en esta posición.

Cierre

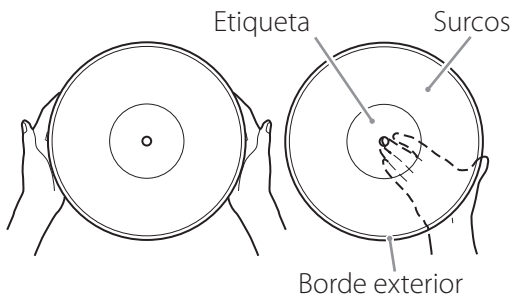
Baje suavemente la tapa hasta que se cierre.

- ⚠** Lleve cuidado de no pillarse la mano, por ejemplo, cuando cierre la tapa del plato giradiscos.

Manejo de los discos de vinilo

Cómo sujetar los discos de vinilo

Cuando coja un disco de vinilo o lo saque de su funda, evite tocar los surcos sujetando el disco por su etiqueta central y por el borde con una mano o sujetándolo por los bordes con ambas manos.



Limpieza

- Las huellas de dedos y el polvo en un disco de vinilo pueden causar ruido y hacer que el sonido salte, así como producir daños al propio disco y a la aguja. Utilice un limpiador de discos de vinilo de los que se pueden adquirir en establecimientos comerciales para limpiar los discos. No utilice disolvente ni nada que no sea un limpiador específico para discos de vinilo. Dichos productos químicos podrían dañar la superficie del disco.
- Cuando utilice un limpiador de discos de vinilo, limpie la superficie del disco con movimiento circular, siguiendo los surcos.



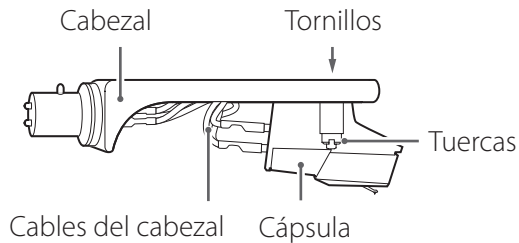
Precauciones

- No deje los discos de vinilo en sitios donde estén expuestos directamente a la luz del sol o que sean muy calurosos o húmedos. Si deja un disco de vinilo bajo tales condiciones durante mucho tiempo podría deformarse o sufrir otros daños.
- No apile múltiples discos de vinilo o sitúe objetos pesados sobre ellos. Tampoco deje los discos inclinados en ángulo durante excesivo tiempo. Si lo hace, podrían deformarse o sufrir otros daños.
- No permita que objetos duros toquen directamente los surcos de audio. Si esto ocurre, los discos se pueden rayar.
- Después de que haya terminado de reproducir un disco, vuelva siempre a guardarlo en su funda. Dejar un disco de vinilo sin protección puede causar que se deforme o se raye.
- No utilice discos que estén rotos.

Cambio de la cápsula

Para cambiar la cápsula, primero quite el cabezal separándolo del brazo.

- Le recomendamos que mantenga puesta la cubierta protectora de la aguja mientras cambia la cápsula.

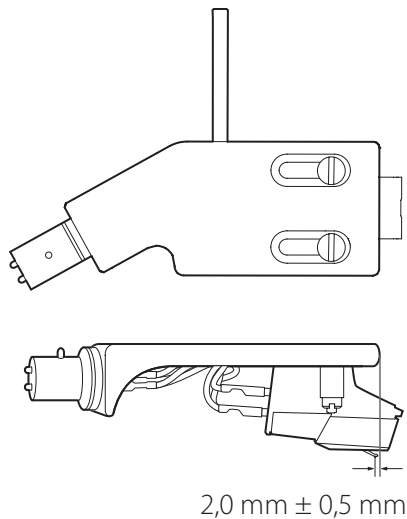


1 Desconecte los terminales cableados del cabezal de la cápsula.

2 Afloje los tornillos y quite el cabezal.

3 Acople la nueva cápsula y apriete los tornillos.

En la ilustración que viene a continuación puede ver la posición de los tornillos una vez acoplada la cápsula.



4 Conecte los terminales cableados del cabezal.

- Las señales y los colores de los cables del cabezal se muestran a continuación:

Señal	Color
Canal izquierdo +	Blanco
Canal izquierdo -	Azul
Canal derecho +	Rojo
Canal derecho -	Verde

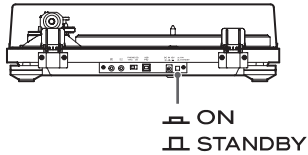
5 Equilibre el brazo y ajuste la presión de la aguja.

Siga el procedimiento del apartado "Cómo equilibrar el brazo y ajustar la presión de la aguja" de la página 40.

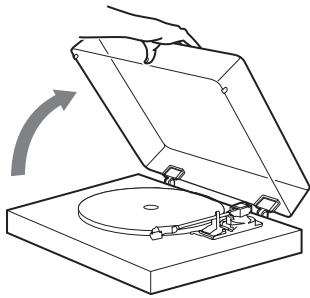
Funcionamiento básico

Reproducción de discos de vinilo

- 1** Pulse el botón **STANDBY/ON** situado en la parte posterior de la unidad para encenderla.



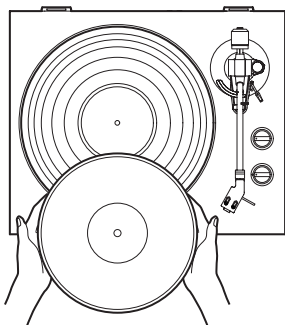
- 2** Abra la tapa del plato giradiscos lentamente.



- ⚠** Lleve cuidado de no pillarse la mano cuando cierre la tapa del plato giradiscos.

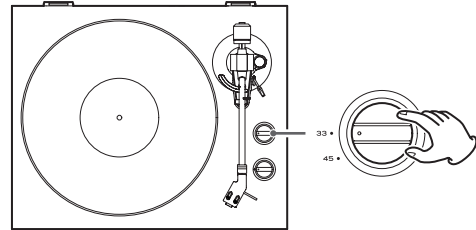
- 3** Coloque un disco en el plato giradiscos.

Cuando reproduzca un disco sencillo ("single") de 45 RPM con agujero central grande, utilice el adaptador incluido.

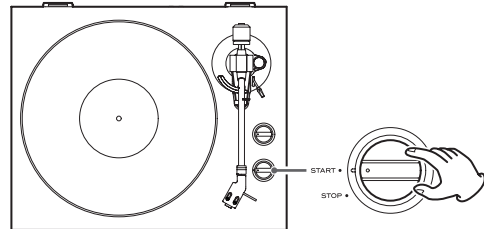


- 4** Ajuste la velocidad de rotación (RPM) según las especificaciones del disco.

La velocidad de rotación puede fijarse en 33 1/3 o 45 RPM.

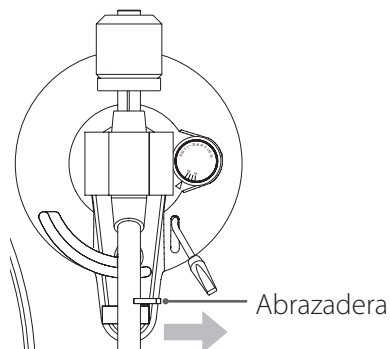


- 5** Gire el mando **START/STOP** a **START** para que el giradiscos se ponga en movimiento.



- Cuando el mando giratorio **START/STOP** se ponga en **START**, el plato giradiscos empezará a girar y se encenderá el indicador azul.

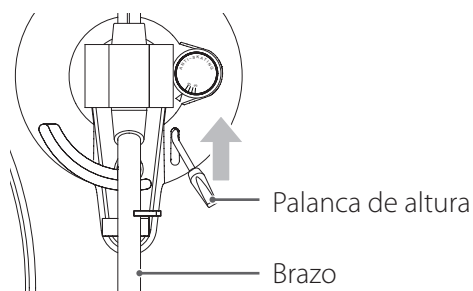
- 6** Desplace la abrazadera que sujeta el brazo hacia la derecha para liberarlo.



Continúa en la página siguiente →

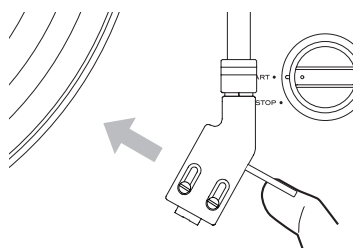
Funcionamiento básico (continuación)

7 Levante la palanca de altura.



- También puede dejar la palanca de altura bajada y desplazar el brazo elevándolo manualmente sobre el disco y después bajarlo lentamente para comenzar la reproducción.

8 Desplace el brazo hacia el borde del disco o la canción donde desee comenzar la reproducción.



9 Baje la palanca de altura.

Baje el brazo lentamente hasta que la aguja toque el disco y empezará la reproducción.

- Recomendamos que cierre la tapa del plato giradiscos durante la reproducción para evitar que entre polvo.

⚠ No coloque nada sobre la tapa del plato giradiscos. Los objetos situados sobre la tapa podrían causar ruido debido a las vibraciones o caerse, especialmente durante la reproducción.

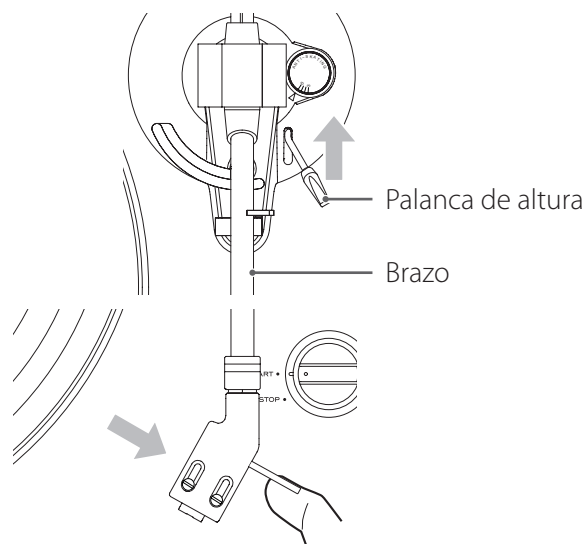
PRECAUCIÓN

- Durante la reproducción no toque ni el brazo ni el disco.
- No detenga el giro del plato durante la reproducción.

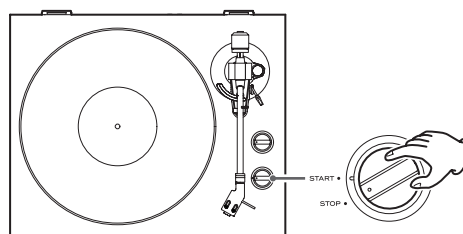
Durante la reproducción de los discos puede producirse realimentación (pitidos conocidos también como "acoples") si el volumen es demasiado alto. Si esto ocurre, baje el volumen del amplificador.

Cuando termina la reproducción

1 Levante ligeramente la palanca de altura o el gancho del cabezal para volver a poner el brazo en su posición de descanso.



2 Gire el mando START/STOP a STOP para detener el giradiscos.



- Cuando se detenga el giradiscos, el indicador azul se apagará.

Grabación con un ordenador

Conecte este reproductor de discos de vinilo a un ordenador utilizando el cable USB incluido para convertir las señales de audio de un disco de vinilo a datos digitales y enviarlos al ordenador.

Sistemas operativos compatibles

Se pueden conectar a esta unidad mediante USB ordenadores que tengan los siguientes sistemas operativos:

Sistemas operativos Windows

Windows 7 (32 bits, 64 bits)
Windows 8 (32 bits, 64 bits)
Windows 8.1 (32 bits, 64 bits)
(a septiembre de 2014)

Mac OS X

OS X Lion 10.7
OS X Mountain Lion 10.8
OS X Mavericks 10.9
(a septiembre de 2014)

No está garantizado el funcionamiento con otros sistemas operativos distintos a los mencionados.

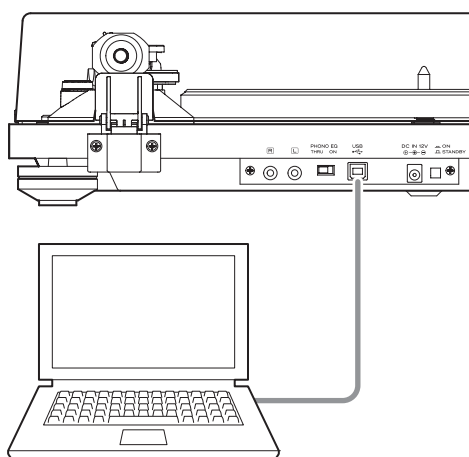
- Esta unidad funcionará con el controlador (driver) estándar del sistema operativo, por lo que no hay necesidad de instalar un controlador especial.

Conexión con un ordenador

1 Encienda el ordenador.

Confirme que el sistema operativo funciona bien.

2 Utilice el cable USB para conectar el ordenador y esta unidad.



3 Pulse el botón **STANDBY/ON** de esta unidad para encenderla.

Cuando estén conectados, el ordenador detectará automáticamente el puerto USB de esta unidad y la identificará como "USB Audio CODEC".

- Para grabar audio desde este reproductor de discos de vinilo utilizando un ordenador, deberá primer instalar el software que vaya a utilizar para grabar audio en el ordenador. Puede optar por comprar el programa de grabación de audio que prefiera o descargarse por internet un programa gratuito, como por ejemplo Audacity ([http:// audacity.sourceforge.net/](http://audacity.sourceforge.net/)). TEAC no ofrece soporte de ningún tipo para programas de software gratuito como Audacity.
- Cuando esta unidad se encuentre conectada a un ordenador mediante USB y esté grabando audio, no realice ninguna de las acciones mencionadas a continuación, ya que puede causar anomalías de funcionamiento en el ordenador. Salga siempre del software de grabación del ordenador antes de:
 - Desconectar el cable USB
 - Poner la unidad en reposo (standby)

Ajustes del ordenador

Los siguientes ejemplos explican los ajustes a realizar si se utiliza Windows 7.

1 Desde el menú "Inicio", seleccione "Panel de control".

2 Pulse "Sonido".

3 Haga clic en la pestaña "Grabar" y confirme que "USB Audio CODEC" es el "Dispositivo predeterminado".

4 Seleccione "Microphone USB Audio CODEC" y haga clic en el botón Propiedades.

5 Haga clic en la pestaña "Opciones avanzadas".

6 Desde el menú desplegable "Formato predeterminado", seleccione "canal 2, 16 bit, 48000 Hz (Calidad de DVD)".

7 Haga clic en "Aceptar".

Solución de posibles fallos

Si experimenta algún problema con esta unidad, por favor compruebe los apartados siguientes antes de solicitar asistencia técnica. La causa del problema podría no ser esta unidad. Por favor, compruebe también que los dispositivos conectados están siendo utilizados correctamente.

Si aún así la unidad no funciona correctamente, póngase en contacto con el establecimiento donde adquirió la unidad.

No enciende.

- ➔ Confirme que el cable de corriente está enchufado a una toma de electricidad. A continuación, pulse el botón STANDBY/ON para encender la unidad. (página 42).

No sale sonido.

- ➔ Cuando conecte los terminales de salida de audio analógico de esta unidad a los terminales de audio de un amplificador u otro equipo ponga el interruptor PHONO EQ (ajuste de salida de audio) en ON (página 42).

La reproducción no es posible; hay ruido.

- ➔ Confirme que ha quitado la cubierta de la aguja (de plástico blanco).
- ➔ Limpie la aguja (página 41).
- ➔ Si la aguja está gastada, cámbiela (página 41).
- ➔ Coloque la unidad lo más lejos posible de televisiones, hornos microondas y otros dispositivos que emitan ondas electromagnéticas.

El tono (afinación) de reproducción es incorrecto.

- ➔ Ajuste la velocidad de rotación (RPM) según corresponda al disco (página 47).

El sonido salta.

- ➔ Las vibraciones pueden causar saltos. Coloque esta unidad en un lugar estable.
- ➔ Si el disco está sucio, límpielo.
- ➔ No utilice discos rayados.
- ➔ Equilibre el brazo y vuelva a ajustar la presión de la aguja (página 40).

Si la presión de la aguja es menor que el valor según la cápsula es muy probable que se produzcan saltos en la reproducción.

Especificaciones

Plato giradiscos

Sistema de tracción.....	tracción por correa
Motor	motor de CC
Velocidad de rotación	33 1/3 rpm, 45 rpm
Variación de velocidad de rotación.....	±2%
Lloro y centelleo.....	0,2%
Relación señal/ruido.....	67 dB o superior (ponderado A, 20 kHz LPF)
Plato giradiscos.....	aluminio fundido 30 cm de diámetro

Brazo

Tipo de brazo	Brazo de tubo recto con equilibrio estático
Longitud efectiva del brazo.....	223 mm
Margen de variación de la presión de la aguja.....	0-5 g
Peso aceptable de la cápsula	3,5-6,5 g

Cápsula

Tipo.....	MM (magnética)
Voltaje de salida	2,5 mV ±3 dB
Presión de la aguja.....	2 ±0,5 g
Peso de la cápsula	5,7 ±0,5 g
Peso del cabezal incluido	10 g (con tornillos, tuercas y cables)

Voltaje de salida

PHONO EQ THRU.....	2,5 mV ±3 dB
PHONO EQ ON	155 mV (-16 dBV)
Terminales de salida	RCA

Puerto USB

El puerto USB puede recibir alimentación de un bus USB de un ordenador (velocidad completa)

conector USB tipo B

Alimentación compatible con bus USB 5 V, 500 mA

- Utilice el cable USB incluido para conectar la unidad a un ordenador para poder recibir alimentación procedente del mismo.

General

Adaptador de corriente	Entrada	CA 100 V-CA 240 V, 50-60 Hz
	Salida	12 V, 500 mA
Consumo de corriente	En reposo (standby).....	0,5 W o menos
	Encendido (en funcionamiento).....	1,5 W o menos
Peso.....		4,9 kg
Margen de temperatura de funcionamiento ..		de 5°C a 35°C
Dimensiones (an. × al. × pro.) (incluyendo salientes)		420 × 356 × 117 mm

- Datos de rendimiento especificados a 20°C.

Accesorios incluidos

Alfombrilla de goma × 1
Adaptador de 45 RPM × 1
Contrapeso × 1
Cabezal × 1
Cápsula AT95E MM (fabricada por Audio-Technica) preinstalada
Plato giradiscos × 1
Tapa de plato giradiscos × 1
Patas de goma para la tapa del plato giradiscos × 2
Bisagras × 2
Cable de audio × 1
Cable USB × 1
Adaptador de corriente (GPE053A-120050-Z) × 1
Manual del usuario (este documento) × 1
Tarjeta de garantía × 1 (solo para clientes de EE. UU. y Canadá)



- Las especificaciones y el diseño están sujetos a cambios sin previo aviso.
- El peso y las dimensiones son aproximados.
- Las ilustraciones de este manual pueden diferir ligeramente de los modelos de producción.

WICHTIGE SICHERHEITSHINWEISE


- Setzen Sie den TN-300 nicht Tropf- oder Spritzwasser aus.
- Stellen Sie keine Vasen oder andere mit Flüssigkeiten gefüllte Gefäße auf den TN-300.
- Installieren Sie den TN-300 nicht in geschlossenen Regalsystemen oder ähnlichen Möbelstücken.
- Der TN-300 bezieht auch dann einen geringen Ruhestrom aus dem Netz, wenn sich der POWER- oder STANDBY/ON-Schalter nicht in der ON-Position befindet.
- Der Verwendungsort des TN-300 sollte in der Nähe der Wandsteckdose sein, so dass Sie jederzeit den Netzstecker erreichen.
- Der Netzstecker dient als Verbindungs-/Trennglied zur Spannungsversorgung. Achten Sie darauf, dass er stets in einwandfreiem Zustand ist.
- Achten Sie bei der Verwendung von Kopfhörern auf Ihr Gehör. Zu hoher Schalldruck von Ohr- oder Kopfhörern kann Hörschäden oder Hörverlust verursachen.

Für Kunden in Europa

Entsorgung von elektrischen Altgeräten und Batterien

- (a) Wenn das Symbol einer durchgestrichenen Abfalltonne auf einem Produkt, der Verpackung und/oder der begleitenden Dokumentation angebracht ist, unterliegt dieses Produkt den europäischen Richtlinien 2002/96/EC und/oder 2006/66/EC sowie nationalen Gesetzen zur Umsetzung dieser Richtlinien. 
- (b) Diese Richtlinien und Gesetze schreiben vor, dass Elektro- und Elektronik-Altgeräte sowie Batterien und Akkus nicht in den Hausmüll (Restmüll) gelangen dürfen. Um die fachgerechte Entsorgung, Aufbereitung und Wiederverwertung sicherzustellen, sind Sie verpflichtet, Altgeräte und entladene Batterien/Akkus über staatlich dafür vorgesehene Stellen zu entsorgen.
- (c) Durch die ordnungsgemäße Entsorgung solcher Geräte, Batterien und Akkus leisten Sie einen Beitrag zur Einsparung wertvoller Rohstoffe und verhindern potenziell schädliche Auswirkungen auf die Gesundheit der Allgemeinheit und die Umwelt, die durch falsche Abfallentsorgung entstehen können. Die Entsorgung ist für Sie kostenlos.
- (d) Falls der Gehalt an Blei (Pb), Quecksilber (Hg) und/oder Cadmium (Cd) in Batterien/Akkus die in der Richtlinie zur Batterieentsorgung (2006/66/EC) angegebenen, zulässigen Höchstwerte übersteigen, wird die Bezeichnung des entsprechenden chemischen Elements oder der Elemente unterhalb der durchgestrichenen Abfalltonne angegeben.  **Pb, Hg, Cd**
- (e) Weitere Informationen zur Wertstoffsammlung und Wiederverwertung von Altgeräten, Batterien und Akkus erhalten Sie bei Ihrer Stadtverwaltung, dem für Sie zuständigen Abfallentsorgungsunternehmen oder der Verkaufsstelle, bei der Sie das Produkt erworben haben.

KONFORMITÄTSERKLÄRUNG

TEAC AUDIO EUROPE, Liegnitzer Straße 6, 82194 Gröbenzell, Deutschland, erklärt in eigener Verantwortung, dass das in dieser Anleitung beschriebene TEAC-Produkt geltenden technischen Normen entspricht. 

ACHTUNG

Änderungen oder Modifikationen dieses Produkts, deren Zulässigkeit nicht ausdrücklich von der TEAC CORPORATION genehmigt wurde, können das Erlöschen der Garantie zur Folge haben.

Inhaltsverzeichnis

Danke, dass Sie sich für TEAC entschieden haben. Lesen Sie diese Bedienungsanleitung bitte sorgfältig durch, um den gesamten Leistungsumfang des TN-300 nutzen zu können.

WICHTIGE SICHERHEITSHINWEISE	52
Vor der ersten Inbetriebnahme	53
Vorbereiten des Plattenspielers	55
Tonabnehmernadeln	57
Anschlüsse	58
Bedienelemente und deren Funktion	59
Die Staubschutzhaube	60
Der Umgang mit Schallplatten	61
Wechseln des Tonabnehmersystems	62
Grundlegende Bedienung	63
Aufnahmen mithilfe eines Computers erstellen	65
Hilfe bei Funktionsstörungen	66
Technische Daten	67

Vor der ersten Inbetriebnahme

Lieferumfang

Vergewissern Sie sich, dass alle nachfolgend aufgeführten Zubehörartikel im Lieferumfang enthalten sind. Sollte ein Teil des Zubehörs fehlen oder beschädigt sein, wenden Sie sich bitte an den Händler, bei dem Sie den TN-300 erworben haben.

- Plattentellermatte (Gummi) × 1
- Single-Puck (45 UpM Adapter) × 1
- Gegengewicht × 1
- Tonabnehmerkopf × 1
 - AT95E MM-Tonabnehmersystem (Hersteller: Audio-Technica) vorinstalliert
- Plattenteller × 1
- Staubschutzhaube × 1
- Abstandshalter aus Gummi für die Staubschutzhaube × 2
- Scharniere × 2
- Audiokabel × 1
- USB-Kabel × 1
- Netzadapter (GPE053A-120050-Z) × 1
- Bedienungsanleitung (dieses Dokument) × 1
 - Bewahren Sie die Bedienungsanleitung an einem sicheren Ort auf, so dass Sie jederzeit griffbereit ist.
- Garantiekarte × 1 (nur für Kunden in den USA und Kanada)
 - Informationen für Kunden in Europa sowie anderen Ländern und Regionen finden Sie auf der Rückumschlagseite dieser Anleitung.

Vor der ersten Inbetriebnahme (Fortsetzung)

Hinweise zur Verwendung

- Stellen Sie keine Objekte auf die Plattenspielerhaube, da diese, aufgrund von Erschütterungen – besonders während der Wiedergabe – Störgeräusche verursachen oder herunterfallen können.
- Vermeiden Sie Aufstellungsorte, an denen der Plattenspieler direkter Sonne oder der Einwirkung anderer Wärmequellen ausgesetzt ist. Stellen Sie den TN-300 nicht auf einen Verstärker oder ein anderes Gerät, dessen abgestrahlte Wärme die zulässige Betriebstemperatur des TN-300 übersteigt. Andernfalls riskieren Sie Verfärbungen, Verformungen sowie Fehlfunktionen.
- Achten Sie stets auf ausreichenden Belüftungsabstand, da der TN-300 während des Betriebs warm werden kann. Der Abstand zu Wänden und anderen Geräten sollte mindestens 20 cm betragen, um gute Wärmeableitung zu gewährleisten.
Bei Installation in Rack- oder Regalsystemen sollte der Abstand oberhalb des TN-300 mindestens 35 cm und der dahinter mindestens 10 cm betragen. Andernfalls kann es im Geräteinneren zu einem Wärmestau kommen, der möglicherweise einen Brand verursachen kann.
- BEWEGEN SIE DEN TN-300 NICHT WÄHREND DER SCHALLPLATTENWIEDERGABE. Während der Wiedergabe dreht sich die Schallplatte. Bewegen und heben Sie den TN-300 während der Wiedergabe nicht an, da dies Schäden an Schallplatte, Tonabnehmer-nadel, -system sowie dem TN-300 verursachen kann.
- Nehmen Sie vor einem Transport oder Wechsel des Aufstellungsorts die Schallplatte vom Plattenteller. Wird der TN-300 mit darauf befindlicher Schallplatte transportiert, können Schallplatte, Tonabnehmer-nadel sowie -system beschädigt oder Fehlfunktionen verursacht werden.
- Die Spannung, an der Sie den TN-300 betreiben, sollte mit der auf der Geräterückseite angegebenen Betriebsspannung übereinstimmen. Kontaktieren Sie im Zweifelsfall einen Elektrofachmann.

Pflegehinweis

Falls die Gehäuseoberfläche des TN-300 verschmutzt ist, verwenden Sie zum Reinigen ein weiches, trockenes Tuch oder ein mit milder Seifenlösung getränktes Tuch. Achten Sie darauf, dass die Gehäuseoberfläche vor der erneuten Inbetriebnahme komplett trocken ist.

- Verwenden Sie zum Reinigen niemals chemische Reinigungstücher, Verdüner oder ähnliche Substanzen, da diese das Gehäuse des TN-300 beschädigen können.

ACHTUNG

Aus Sicherheitsgründen sollte vor dem Reinigen der Netzstecker gezogen werden.

Vorbereiten des Plattenspieler

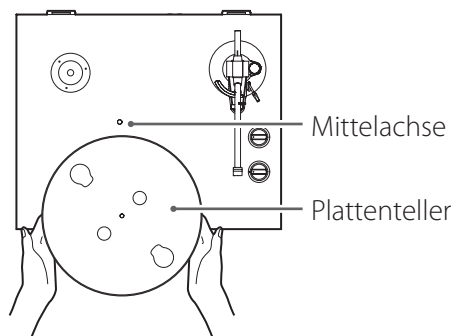
Während der Vorbereitungsarbeiten sollte sich der Plattenspieler im Bereitschaftsmodus (Standby) befinden (siehe **E** auf den Seiten 58 und 59).

1 Stellen Sie den TN-300 auf einen stabilen, waagrechten Untergrund.

Achten Sie auf waagrechte Aufstellung, da die Standfüße des TN-300 nicht höhenverstellbar sind.

2 Installieren des Plattentellers.

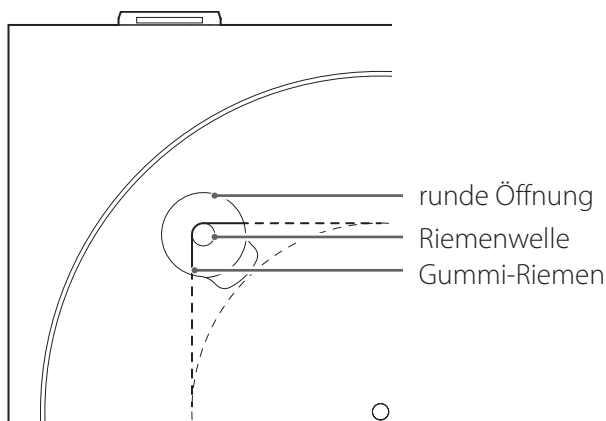
Positionieren Sie den Plattenteller über der Mittelachse und senken Sie ihn langsam ab.



3 Führen Sie den Riemen um die Riemenwelle des Motors.

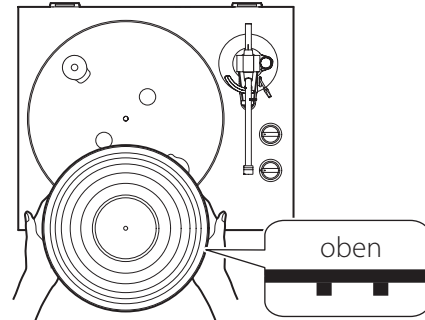
Ziehen Sie den Gummi-Riemen, der um den Riementeller (Sub-Teller) herum liegt, mit einem Finger durch die runde Öffnung und führen ihn über die Riemenwelle des Motors.

- Achten Sie darauf, dass sich der Riemen nicht verdreht.
- Drehen Sie den Plattenteller einige Male, um die korrekte Führung des Riemens sicher zu stellen.



4 Legen Sie die Plattentellermatte aus Gummi auf den Plattenteller.

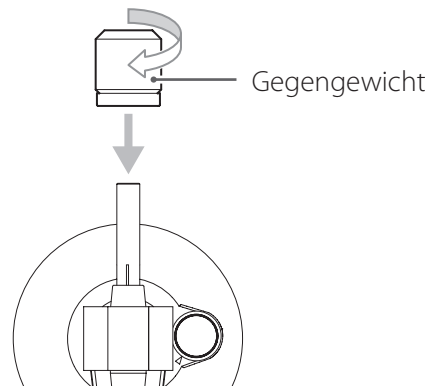
Legen Sie vor Inbetriebnahme des Plattenspielers die im Lieferumfang befindliche Gummi-Schutzmatte auf den Plattenteller.



- Die Plattentellermatte besitzt eine Ober- und eine Unterseite. Wie in der Abbildung gezeigt, gehört die Seite mit den heraus stehenden, konzentrischen Kreisen nach unten.

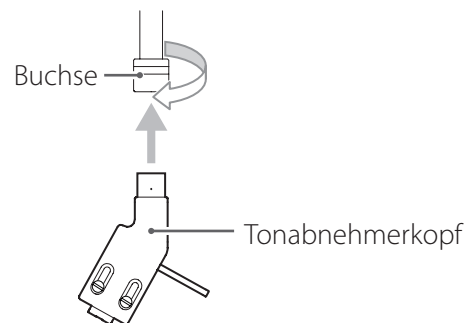
5 Installieren des Gegengewichts.

Schieben Sie das Gegengewicht über das Ende des Tonarms, und schrauben Sie es im Uhrzeigersinn fest.



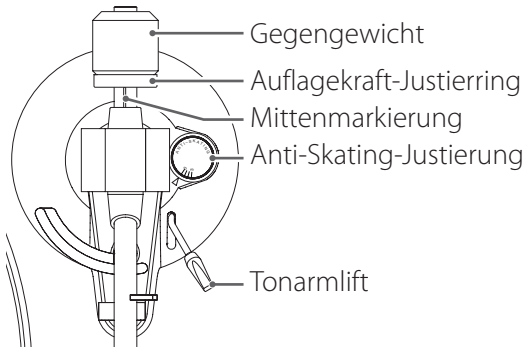
6 Installieren des Tonabnehmerkopfes.

Stecken Sie den Tonabnehmerkopf in die Tonarmbuchse und verriegeln Sie die Buchse.



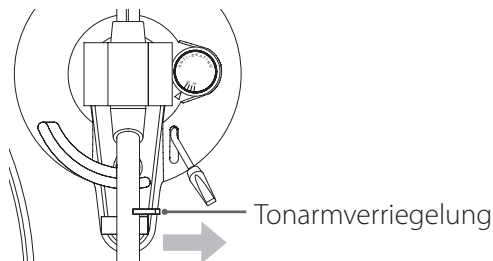
Vorbereiten des Plattenspielers (Fortsetzung)

Ausbalancieren des Tonarms und Einstellen der Auflagekraft



1 Stellen Sie die Anti-Skating-Justierung auf Null.

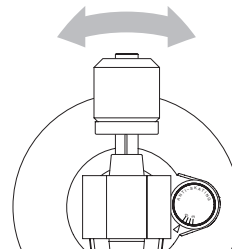
2 Schieben Sie die Tonarmverriegelung nach rechts, so dass der Tonarm frei schwingen kann.



3 Heben Sie den Tonarm mithilfe des Tonarmlifts an und schieben Sie ihn ein wenig nach links.

4 Senken Sie den Tonarm mithilfe des Tonarmlifts ab.

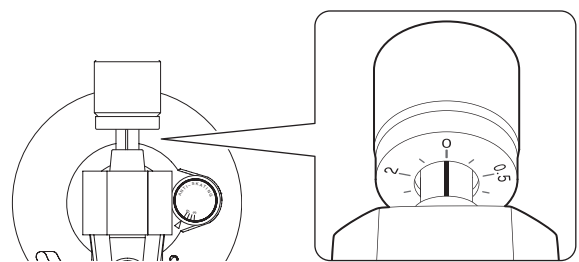
5 Balancieren Sie den Tonarm durch Drehen des Gegengewichts so aus, dass er exakt waagrecht ist.



- Entfernen Sie den Abtastnadelschutz, bevor Sie die Einstellungen vornehmen.
- Achten Sie darauf, dass die Abtastnadel nicht den Plattenteller oder das Chassis berührt.

6 Führen Sie den Tonarm auf die Tonarmstütze (Ruheposition) zurück und verriegeln Sie ihn, indem Sie die Tonarmverriegelung nach links schieben.

7 Drehen Sie den Auflagekraft-Justierring, bis der Skalenwert „0“ und die Mittenmarkierung übereinstimmen.

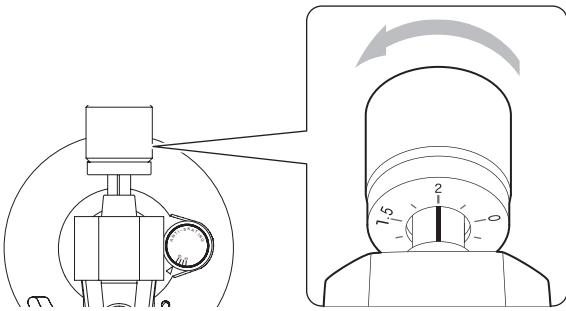


- Achten Sie beim Einstellen des Auflagekraft-Justierings darauf, dass sich das Gegengewicht nicht mitdreht.

8 Drehen Sie am Gegengewicht, bis der Skalenwert des Justierrings die für das Tonabnehmersystem angegebene Auflagekraft anzeigt.

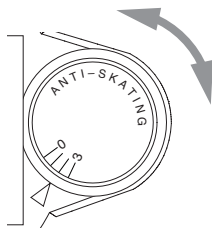
- Für das mitgelieferte, vormontierte Tonabnehmersystem wird eine Auflagekraft von 2,0 Gramm empfohlen.

Drehen Sie bei Verwendung des mitgelieferten Tonabnehmersystems am Gegengewicht, bis der Skalenwert „2“ angezeigt wird.



9 Stellen Sie den Anti-Skating-Wert ein.

Beginnen Sie mit einem Anti-Skating-Wert von „2“ und stellen Sie während der Wiedergabe einer Schallplatte (siehe Seite 63) den Wert ein, bei dem der rechte und linke Kanal gleich laut wiedergegeben werden.



- Tonabnehmernadeln sind Präzisionsbauteile und sehr empfindlich. Eine verbogene Nadel oder abgebrochene Nadelspitze wird nicht mehr einwandfrei in der Plattenrinne geführt und kann daher Ihre Schallplatten dauerhaft beschädigen oder Fehlfunktionen verursachen.
- Reinigen Sie eine verschmutzte Tonabnehmernadel mithilfe einer speziellen, im Fachhandel erhältlichen Nadelbürste oder einem entsprechenden Produkt.
- Reiben Sie nicht mit harten Gegenständen über die Tonabnehmernadel und reinigen Sie die Nadel nicht mit Lösungsmitteln oder anderen Chemikalien. Andernfalls riskieren Sie, dass die Nadel dauerhaft beschädigt wird.

Wechseln des Nadelträgers

Das vorinstallierte Tonabnehmersystem ist ein Audio-Technica AT95E.

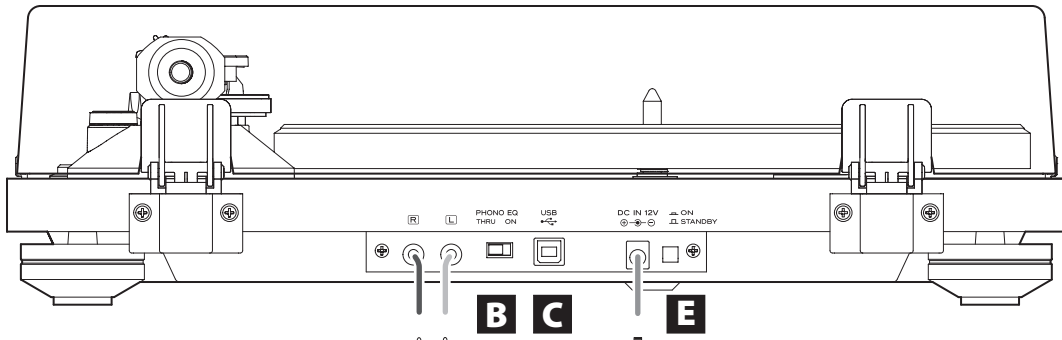
Eine Austauschnadel für das AT95E erhalten Sie beispielsweise bei dem Händler, bei dem Sie Ihren TN-300 erworben haben.

Befolgen Sie die Hinweise in der Installationsanleitung des Austauschnadelträgers.

VORSICHT

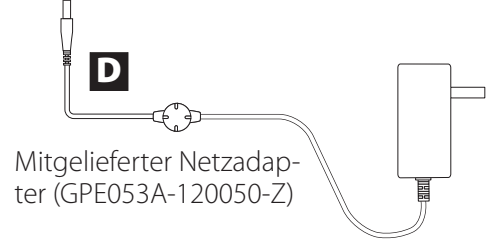
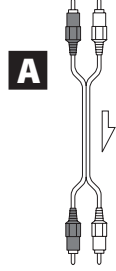
- Versetzen Sie den TN-300 vor einem Nadelträgerwechsel in den Standby-Modus, da während der Montage unerwartet hohe Kontaktpegel auftreten können.
- Achten Sie beim Nadelträgerwechsel darauf, dass Sie sich nicht an der Hand verletzen oder die Tonarm-/Tonabnehmerkombination beschädigen.
- Achten Sie darauf, dass Kleinkinder einen Nadelträger nicht versehentlich verschlucken.

Anschlüsse



Bei aktiviertem PHONO EQ (ON)
Verbinden Sie diese Ausgänge mit den
Eingängen eines Verstärkers, usw.

Bei deaktiviertem PHONO EQ (THRU)
Verbinden Sie diese Ausgänge mit den
PHONO-Eingängen eines Verstärkers,
usw.



Mitgelieferter Netzadap-
ter (GPE053A-120050-Z)

⚠ Vorsichtsmaßnahmen beim Anschließen

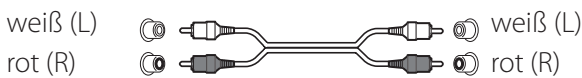
- Stellen Sie die Netzverbindung erst her, nachdem alle Anschlüsse vorgenommen wurden.
- Lesen und beachten Sie die Hinweise in den Bedienungsanleitungen aller Komponenten, mit denen Sie den TN-300 verbinden.

A Analoge Audioausgänge (L/R)

An diesen Anschlüssen liegt das analoge Ausgangs-
signal an.

Mit Hilfe des PHONO EQ-Schalters kann die Aus-
gangssignal-Entzerrung gewählt werden.

Verwenden Sie das mitgelieferte Audiokabel (oder
ein handelsübliches Audiokabel), um diese An-
schlüsse mit den Eingängen eines Verstärkers, usw.
zu verbinden.



B PHONO EQ-Schalter (Ausgangssignal- einstellung)

ON

Das MM-Tonabnehmersignal wird vom internen
Phono-Vorverstärker verstärkt und entzerrt, bevor es
an den Analogausgängen (L/R) anliegt.

THRU

Das MM-Tonabnehmersignal liegt direkt an den
Analogausgängen (L/R) an.

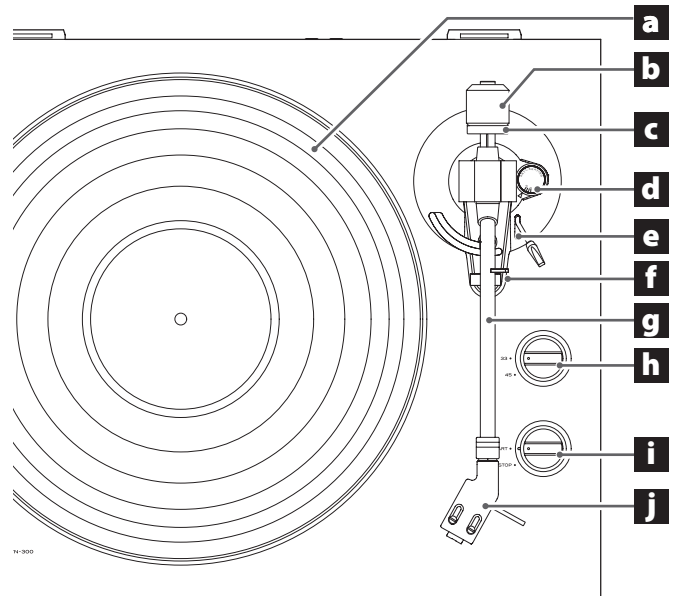
Verwenden Sie diese Einstellung, wenn der verwen-
dete Verstärker, usw. einen PHONO-Eingang besitzt.

- Im Auslieferungszustand befindet sich der Schal-
ter in der ON-Stellung.

VORSICHT

Wenn sich der Schalter in der ON-Stellung befindet
und der TN-300 am PHONO-Eingang eines Verstär-
kers, usw. angeschlossen ist, können über die Laut-
sprecher sowie Kopfhörer unerwartet hohe Pegel
wiedergegeben werden, wodurch Ihr Gehör oder
das Audiosystem Schaden nehmen können.

Bedienelemente und deren Funktion



C USB-Port (USB Typ B)

Verbinden Sie diesen Port mit dem USB-Port eines Computers, um das digitalisierte Ausgangssignal des TN-300 zum Computer zu senden (siehe Seite 65).

D Gleichspannungseingang

Schließen Sie den im Lieferumfang befindlichen Netzadapter (GPE053A-120050-Z) hier an, nachdem Sie alle anderen Anschlüsse vorgenommen haben. Vergewissern Sie sich, dass der Netzstecker des Netzadapters mit einer Steckdose verbunden ist.

- Ziehen Sie den Netzstecker aus der Steckdose, falls Sie beabsichtigen, den TN-300 über einen längeren Zeitraum nicht zu verwenden.
- Verwenden Sie ausschließlich den mitgelieferten Netzadapter (GPE053A-120050-Z).

⚠ Achten Sie darauf, dass die Steckdose, an der Sie den TN-300 betreiben möchten, die korrekte Spannung liefert. Anschluss an einer Steckdose, die nicht die korrekte Spannung liefert, kann einen Brand oder Stromschlag verursachen. Halten Sie beim Herstellen oder Trennen der Verbindung stets den Netzstecker fest. Ziehen Sie niemals am Netzkabel. Trennen Sie das Netzkabel von der Steckdose, wenn der TN-300 über einen längeren Zeitraum nicht verwendet werden soll.

E STANDBY/ON-Druckschalter

Mit Hilfe des STANDBY/ON-Druckschalters kann der TN-300 eingeschaltet oder in den Bereitschaftsmodus (Standby) versetzt werden.

a Plattenteller (mit Matte)

Legen Sie Schallplatten zentriert auf den Plattenteller.

b Gegengewicht

c Auflagekraft-Justiering

d Anti-Skating-Justierung

e Tonarmlift

Verwenden Sie diesen Hebel zum Anheben oder Absenken des Tonarms.

f Tonarmstütze

Wenn der Plattenspieler nicht in Gebrauch ist, sollte der Tonarm stets auf dieser Stütze aufliegen. Schieben Sie den an der Stütze befindlichen Haltebügel, vor Wiedergabe einer Schallplatte, behutsam nach rechts, um den Tonarm zu entriegeln.

g Tonarm

h Geschwindigkeitswahlschalter

Wählen Sie die Umdrehungszahl (UpM), gemäß des wiederzugebenden Schallplattentyps.

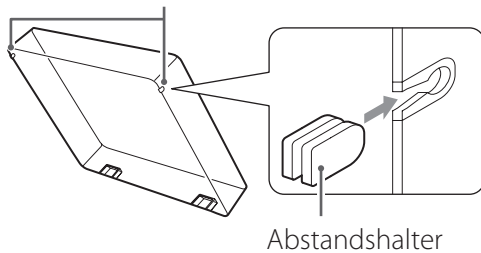
i START/STOP-Schalter (Motor An/Aus)

j Tonabnehmerkopf

Die Staubschutzhaube

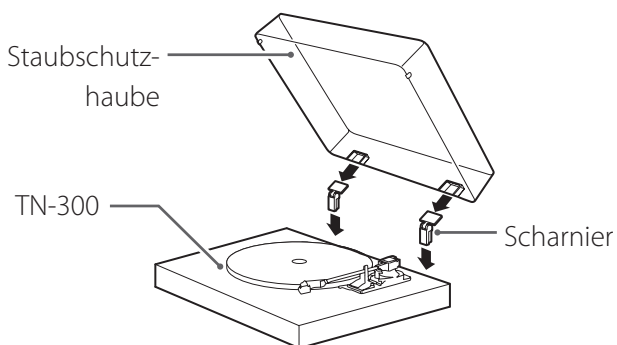
Anbringen der Abstandshalter

Aussparungen für die Abstandshalter



Stecken Sie die Abstandshalter, wie in der Abbildung gezeigt, in die jeweilige Aussparung an der linken und rechten Seite der Staubschutzhaube.

Anbringen der Staubschutzhaube

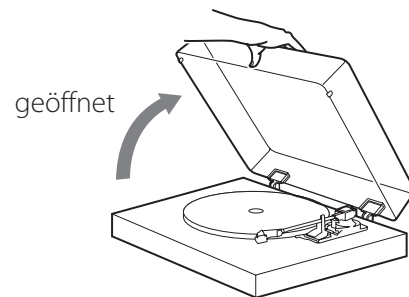


- 1 Setzen Sie die Scharniere in die linken und rechten Scharnierbeschläge an der Rückseite des TN-300 ein.**
- 2 Positionieren Sie die Scharnieraufnahmen der Haube exakt über den Scharnieren, und schieben Sie die Haube vorsichtig auf die Scharniere.**

Entfernen der Staubschutzhaube

Halten Sie die Haube an beiden Seiten fest, und ziehen Sie sie vorsichtig, zusammen mit den Scharnieren, nach oben aus den Scharnierbeschlägen. Ziehen Sie anschließend die Scharniere aus der Staubschutzhaube.

Öffnen und Schließen der Staubschutzhaube



Öffnen

Ergreifen Sie die Staubschutzhaube an der Vorderkante und klappen Sie sie vorsichtig nach oben, bis Sie einen Widerstand spüren.

Die Staubschutzhaube bleibt in dieser Position geöffnet.

Schließen

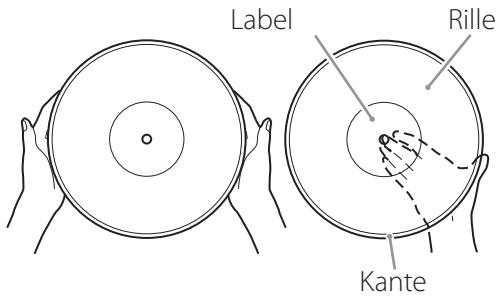
Klappen Sie die Schutzhaube langsam nach unten, bis sie komplett geschlossen ist.

⚠ Achten Sie beim Schließen der Haube darauf, dass Sie nicht beispielsweise Ihre Hand ein-klemmen.

Der Umgang mit Schallplatten

Handhabung von Schallplatten

Achten Sie beim Anfassen einer Schallplatte darauf, dass Sie die Rille nicht berühren. Halten Sie Schallplatten stets am Label und an der Außenkante oder mit beiden Händen an der Außenkante fest.



Reinigungshinweise

- Fingerabdrücke und Staub können störende Nebengeräusche verursachen und die Nadel aus der Rille „werfen“, wodurch Schallplatte und Tonabnehmer-nadel beschädigt werden können. Falls erforderlich, reinigen Sie Schallplatten mithilfe einer im Fachhandel erhältlichen Plattenbürste. Verwenden Sie niemals Verdünner oder andere Chemikalien, da diese die Oberfläche von Schallplatten beschädigen können.
- Reinigen Sie Schallplatten in kreisenden Bewegungen, der Rille folgend, von außen nach innen.



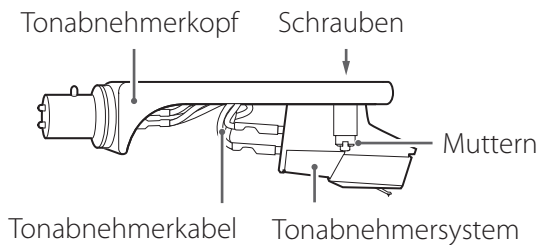
Hinweise zum Umgang und zur Aufbewahrung

- Setzen Sie Schallplatten nicht über längere Zeitspannen direkter Sonne, hohen Temperaturen oder Feuchtigkeit aus. Längere Aufbewahrung unter solchen Bedingungen verursacht Verformungen sowie andere Schäden.
- Stapeln Sie Schallplatten nicht, stellen Sie keine schweren Gegenstände darauf und vermeiden Sie Schräglagerung über längere Zeiträume, da hierdurch Verformungen sowie andere Schäden verursacht werden können.
- Vermeiden Sie direkten Kontakt von harten sowie spitzen Gegenständen und der Rille, da hierdurch Kratzer verursacht werden können.
- Bewahren Sie Schallplatten, zum Schutz vor Staub, Kratzern und Verformung, bei Nichtgebrauch stets in der jeweils zugehörigen Plattenhülle auf.
- Verwenden Sie keine schadhafte Schallplatten.

Wechseln des Tonabnehmersystems

Trennen Sie zum Wechseln des Tonabnehmersystems den Tonabnehmerkopf vom Tonarm.

- Es wird empfohlen, den Nadelschutz während des Tonabnehmerwechsels aufgesteckt zu lassen.

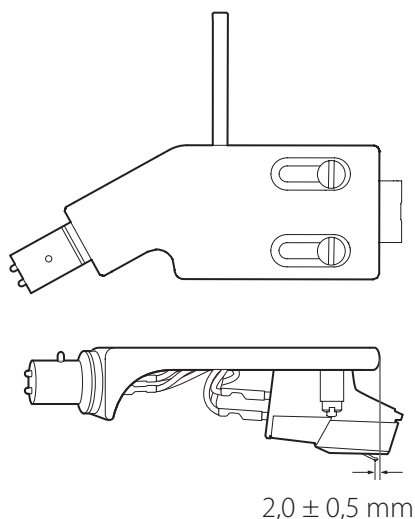


1 Ziehen Sie die Tonabnehmerkabel vorsichtig vom Tonabnehmersystem ab.

2 Lösen Sie die Schrauben und entfernen Sie das Tonabnehmersystem.

3 Installieren Sie das neue Tonabnehmersystem und ziehen Sie die Schrauben wieder fest.

Folgende Abbildung zeigt die Positionen der Schrauben bei installiertem Tonabnehmersystem:



4 Schließen Sie die Tonabnehmerkabel am Tonabnehmersystem an.

- Signalverteilung und Farbkodierung der Tonabnehmerkabel sind, wie folgt:

Signal	Farbe
linker Kanal +	weiß
linker Kanal –	blau
rechter Kanal +	rot
rechter Kanal –	grün

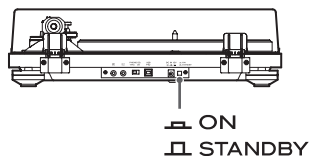
5 Balancieren Sie den Tonarm aus und stellen Sie die Auflagekraft ein.

Folgen Sie den Anweisungen im Abschnitt: „Ausbalancieren des Tonarms und Einstellen der Auflagekraft“ auf Seite 56.

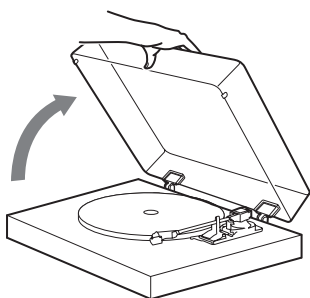
Grundlegende Bedienung

Schallplattenwiedergabe

- 1** Betätigen Sie zum Einschalten des Plattenspielers den **STANDBY/ON-Druckschalter** auf der **Geräterückseite**.



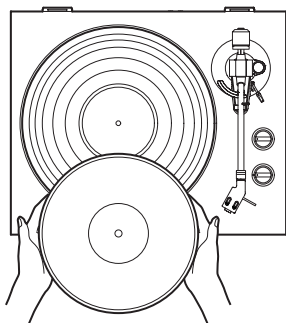
- 2** Öffnen Sie langsam die **Staubschutthaube**.



- ⚠ Achten Sie beim Schließen der Haube darauf, dass Sie nicht beispielsweise Ihre Hand ein-klemmen.**

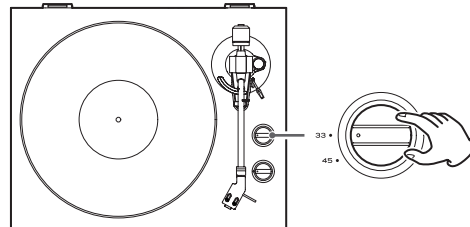
- 3** Legen Sie eine **Schallplatte auf den Plattenteller**.

Verwenden Sie bei Wiedergabe einer 45 UpM-Single ohne Single-Stern den mitgelieferten Single-Puck-Adapter.

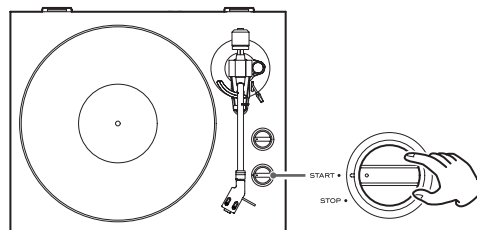


- 4** Stellen Sie die auf der Schallplatte angegebene **Umdrehungszahl (UpM)** ein.

Als Umdrehungszahl kann 33 1/3 oder 45 gewählt werden.

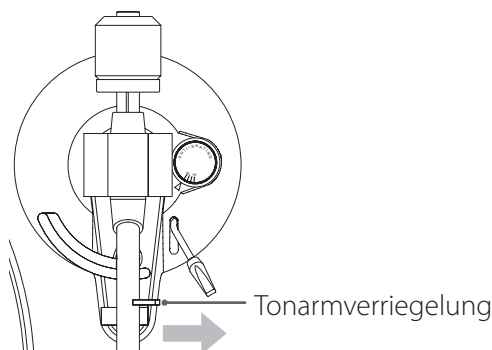


- 5** Drehen Sie den **START/STOP-Schalter** in die **START-Position**, um den **Plattentellerantrieb zu starten**.



- Wenn sich der **START/STOP-Schalter** in der **START-Position** befindet, beginnt der **Plattenteller** sich zu drehen und die **blaue LED** leuchtet.

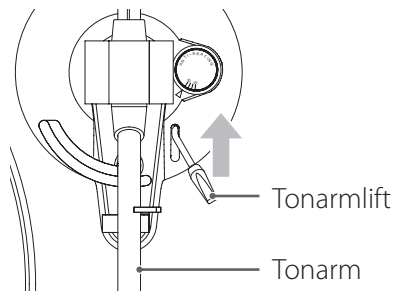
- 6** Schieben Sie die **Tonarmverriegelung nach rechts**, so dass der **Tonarm frei auf der Tonarmstütze aufliegt**.



Fortsetzung auf der nächsten Seite ➔

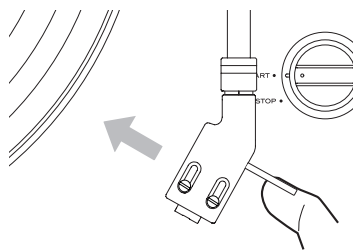
Grundlegende Bedienung (Fortsetzung)

7 Heben Sie den Tonarm mithilfe des Tonarmlifts an.



- Sie können den Tonarm auch vorsichtig anheben und an der gewünschten Position behutsam auf die Schallplatte absenken, ohne zuvor den Tonarmlift zu bedienen.

8 Positionieren Sie die Abtastnadel über der Einlaufrille oder am Beginn des Titels, den Sie wiedergeben möchten.



9 Senken Sie den Tonarm mithilfe des Tonarmlifts langsam ab.

Senken Sie den Tonarm vorsichtig ab, bis die Abtastnadel die Schallplatte berührt.

- Zur Vermeidung von Staub kann die Schutzhaube während der Schallplattenwiedergabe geschlossen bleiben.

⚠ Stellen Sie keine Gegenstände auf die Haube, da sie, besonders während der Wiedergabe, aufgrund von Erschütterungen, Störgeräusche verursachen oder herunterfallen können.

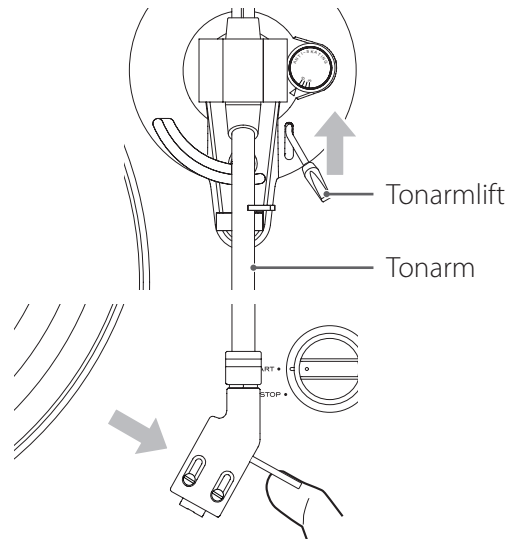
VORSICHT

- Berühren Sie während der Wiedergabe nicht den Tonarm oder die sich drehende Schallplatte.
- Halten Sie den Plattenteller während der Wiedergabe nicht an.

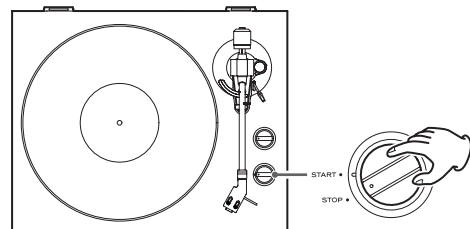
Schallplattenwiedergabe bei zu hoher Lautstärke kann Rückkopplungen verursachen. Reduzieren Sie in diesem Fall die Lautstärke am Verstärker.

Beenden der Wiedergabe

1 Heben Sie den Tonarm mithilfe des Tonarmlifts oder des Bügels am Tonabnehmerkopf vorsichtig an und führen Sie ihn auf die Tonarmstütze zurück.



2 Drehen Sie den START/STOP-Schalter in die STOP-Position, um den Plattentellerantrieb zu stoppen.



- Sobald der Antriebsmotor ausgeschaltet wird, erlischt auch die blaue LED.

Aufnahmen mithilfe eines Computers erstellen

Verwenden Sie das mitgelieferte USB-Kabel, um den USB-Port des Plattenspielers mit dem USB-Port eines Computers zu verbinden und das digitalisierte Ausgangssignal des TN-300 zum Computer zu senden.

Unterstützte Betriebssysteme

Computer mit folgenden Betriebssystemen können via USB mit dem TN-300 verbunden werden.

Windows OS

Windows 7 (32-Bit, 64-Bit)
Windows 8 (32-Bit, 64-Bit)
Windows 8.1 (32-Bit, 64-Bit)
(Stand: September 2014)

Mac OS X

OS X Lion 10.7
OS X Mountain Lion 10.8
OS X Mavericks 10.9
(Stand: September 2014)

Für andere Betriebssysteme kann die einwandfreie Funktion nicht zugesagt werden.

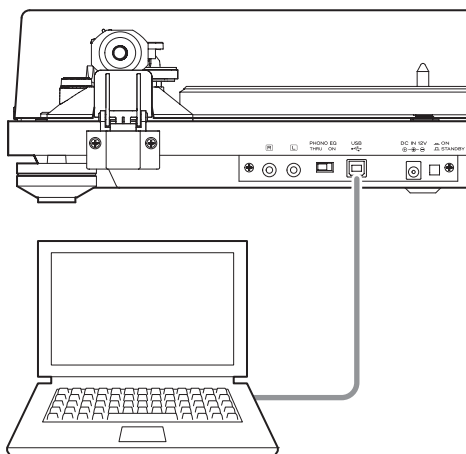
- Der TN-300 nutzt den Standardtreiber dieser Betriebssysteme. Die Installation eines speziellen Treibers ist nicht erforderlich.

Anschließen des Computers

1 Schalten Sie den Computer ein.

Vergewissern Sie sich, dass Computer und Betriebssystem ordnungsgemäß funktionieren.

2 Verwenden Sie das USB-Kabel, um den Computer und den TN-300 zu verbinden.



3 Schalten Sie den TN-300 mithilfe des STANDBY/ON-Druckschalters ein.

Bei korrekter Verbindung erkennt der Computer die USB-Verbindung automatisch und identifiziert sie als „USB Audio CODEC“.

- Um das Audiosignal des Plattenspielers auf einem Computer aufzeichnen zu können, muss darauf eine Audio-Aufnahmesoftware installiert sein. Sie können eine entsprechende Applikation kaufen oder eine Freeware-Anwendung, wie Audacity ([http:// audacity.sourceforge.net/](http://audacity.sourceforge.net/)), aus dem Internet laden. TEAC bietet für Freeware-Produkte jedoch keinen Support an.
- Vermeiden Sie bei bestehender USB-Verbindung und während der Aufzeichnung von Audiodaten folgende Maßnahmen, da hierdurch Fehlfunktionen des Computers verursacht werden. Die Aufnahmesoftware sollte grundsätzlich beendet werden, bevor eine der folgenden Maßnahmen durchgeführt wird:
 - Trennen der USB-Verbindung
 - Aktivieren des Standby-Modus

Computer-Einstellungen

Folgendes Beispiel veranschaulicht die erforderlichen Einstellung bei Verwendung von Windows 7:

- 1 Wählen Sie im Startmenü „Systemsteuerung“.
- 2 Klicken Sie auf „Ton an“.
- 3 Klicken Sie auf die Registerkarte „Aufzeichnung“ und bestätigen Sie, dass „USB Audio CODEC“ als „Standardgerät“ eingestellt ist.
- 4 Wählen Sie „Mikrofon USB Audio CODEC“ aus und klicken Sie auf die „Eigenschaften“-Schaltfläche.
- 5 Klicken Sie auf die Registerkarte „Erweitert“.
- 6 Wählen Sie im „Standardformat“-Pull-Down-Menü den Eintrag „2-Kanal, 16-Bit, 48000 Hz (DVD-Qualität)“.
- 7 Klicken Sie auf „OK“.

Hilfe bei Funktionsstörungen

Sollten Funktionsstörungen auftreten, versuchen Sie bitte, anhand folgender Hinweise, selbst Abhilfe zu schaffen, bevor Sie den Service kontaktieren. Eine Störung kann auch durch externe Einflüsse sowie andere Geräte verursacht werden. Vergewissern Sie sich bitte, dass Geräte, die Sie zusammen mit dem TN-300 verwenden, ordnungsgemäß angeschlossen sind und betrieben werden. Sollte der TN-300 dennoch nicht einwandfrei funktionieren, kontaktieren Sie den Händler, bei dem Sie ihn erworben haben.

Keine Spannung

- ➔ Vergewissern Sie sich, dass der Netzadapter an einer funktionsfähigen Steckdose angeschlossen ist. Schalten Sie den TN-300 anschließend mithilfe des STANDBY/ON-Druckschalters ein (siehe Seite 58).

Keine Wiedergabe

- ➔ Falls die analogen Audioausgänge mit den Audioeingängen eines Verstärkers oder anderen Geräts verbunden sind, stellen Sie den PHONO EQ-Schalter (Ausgangssignaleinstellung) auf die ON-Position (siehe Seite 58).

Keine oder verrauschte Wiedergabe

- ➔ Vergewissern Sie sich, dass der Abtastnadelschutz (weiße Kunststoffkappe) nicht aufgesteckt ist.
- ➔ Reinigen Sie die Abtastnadel (siehe Seite 57).
- ➔ Ersetzen Sie abgenutzte Abtastnadeln frühzeitig (siehe Seite 57).
- ➔ Wählen Sie einen Aufstellungsort, der möglichst weit von TV-, Mikrowelle- und anderen Geräten, die elektromagnetische Strahlung erzeugen, entfernt ist.

Die Tonhöhe stimmt nicht.

- ➔ Stellen Sie die auf der Schallplatte angegebene Umdrehungszahl (UpM) ein (siehe Seite 63).

Tonsprünge/Tonaussetzer

- ➔ Erschütterungen können die Ursache sein. Platzieren Sie den TN-300 an einem stabilen Ort.
- ➔ Reinigen Sie verschmutzte Schallplatten.
- ➔ Verwenden Sie keine verkratzten Schallplatten.
- ➔ Balancieren Sie den Tonarm erneut aus und justieren Sie erneut die Auflagekraft (siehe Seite 56). Falls die Auflagekraft geringer ist, als für das installierte Tonabnehmersystem angegeben, erhöht sich die Gefahr, dass die Nadel aus der Rille „springt“.

Technische Daten

Plattenspieler

Antriebssystem	Riemenantrieb
Motor	Gleichstrommotor
Geschwindigkeiten	33 1/3 UpM, 45 UpM
Veränderbare Geschwindigkeit	±2 %
Gleichlaufschwankung	0,2 %
Rauschabstand	.67 dB oder mehr (A-bewertet, 20 kHz LPF)
Plattenteller	Aluminum-Druckguss 30 cm Durchmesser

Tonarm

Tonarmtyp	Statisch ausbalancierter, gerader Tonarm
Effektive Tonarmlänge	223 mm
Auflagekraft-Variationsbereich	0–5 g
Zulässiges Tonabnehmergewicht	3,5–6,5 g

Tonabnehmersystem

Typ	MM
Ausgangsspannung	2,5 mV ±3 dB
Auflagekraft	2,0 ±0,5 g
Tonabnehmergewicht	5,7 ±0,5 g
Gewicht des mitgelieferten Tonabnehmerkopfes	10 g (inklusive Schrauben, Muttern und Kabeln)

Ausgangsspannung

PHONO EQ THRU	2,5 mV ±3 dB
PHONO EQ ON	155 mV (–16 dBV)
Anschlüsse	RCA (Cinch)

USB-Port

Der USB-Port wird vom USB-Bus des Computers mit Spannung versorgt (Full Speed). . . . USB-Anschluss Typ B
USB-Bus Spannungsversorgung 5 V, 500 mA

- Verwenden Sie das mitgelieferte USB-Kabel, um den TN-300 mit einem Computer zu verbinden und den USB-Port mit Spannung zu versorgen.

Allgemein

Netzadapter-Spannungsversorgung	Eingang AC 100 V–AC 240 V, 50-60 Hz Ausgang 12 V, 500 mA
Leistungsaufnahme	Standby 0,5 W oder weniger On (START) 1,5 W oder weniger
Gewicht	4,9 kg
Betriebstemperaturbereich 5° C bis 35° C
Abmessungen (B × H × T) (inklusive vorstehender Teile)	420 × 356 × 117 mm

- Leistungsdaten spezifiziert bei 20° C.

Mitgeliefertes Standardzubehör

Plattentellermatte (Gummi) × 1
Single-Puck (45 UpM Adapter) × 1
Gegengewicht × 1
Tonabnehmerkopf × 1
AT95E MM-Tonabnehmersystem (Hersteller: Audio-Technica) vorinstalliert
Plattenteller × 1
Staubschutzhaube × 1
Abstandshalter aus Gummi für die Staubschutzhaube × 2
Scharniere × 2
Audiokabel × 1
USB-Kabel × 1
Netzadapter (GPE053A-120050-Z) × 1
Bedienungsanleitung (dieses Dokument) × 1
Garantiekarte × 1 (nur für Kunden in den USA und Kanada)

- Änderungen in Design und technischer Ausstattung vorbehalten.
- Gewichtsangaben und Abmessungen sind Näherungswerte.
- Abbildungen der Bedienungsanleitung können geringfügig von den Produktionsmodellen abweichen.

IMPORTANTI ISTRUZIONI DI SICUREZZA

- Non esporre questo apparecchio a gocce o spruzzi d'acqua.
- Non appoggiare sopra l'apparecchio oggetti contenenti acqua o liquidi di altro genere.
- Non installare questo apparecchio in uno spazio ristretto come una libreria o luoghi simili.
- L'apparecchio consuma una insignificante quantità di corrente con l'alimentazione POWER o STANDBY/ON non in posizione ON.
- Questo apparecchio deve essere collocato sufficientemente vicino alla presa di corrente affinché questa possa essere raggiunta con facilità in ogni momento.
- La spina è utilizzata come dispositivo di scollegamento e deve rimanere sempre operabile.
- Si deve usare cautela quando si usano auricolari o cuffie con il prodotto poiché una eccessiva pressione sonora (volume) negli auricolari o in cuffia può causare la perdita dell'udito.

DICHIARAZIONE DI CONFORMITÀ

Noi, TEAC Audio Europe, Liegnitzer Straße 6, 82194 Gröbenzell, Germania dichiariamo sotto la nostra responsabilità, che il prodotto TEAC descritto in questo manuale è conforme ai corrispondenti standard tecnici.




ATTENZIONE


Cambiamenti o modifiche a questa apparecchiatura non espressamente approvati da TEAC CORPORATION invalideranno la garanzia dell'utente.

Per gli utenti europei

Smaltimento delle apparecchiature elettriche ed elettroniche

- Tutte le apparecchiature elettriche ed elettroniche devono essere smaltite separatamente dai rifiuti urbani mediante impianti di raccolta designati dal governo o dalle autorità locali.
- Con lo smaltimento corretto di apparecchiature elettriche ed elettroniche, si contribuisce a risparmiare preziose risorse ed evitare potenziali effetti negativi sulla salute umana e l'ambiente.
- Gli impianti di smaltimento improprio di rifiuti elettrici ed elettronici possono avere gravi conseguenze sull'ambiente e sulla salute umana a causa della presenza di sostanze pericolose nelle apparecchiature.
- Il simbolo RAEE (Rifiuti Apparecchiature Elettriche ed Elettroniche), che mostra un bidone con ruote barrato, indica che le apparecchiature elettriche ed elettroniche devono essere raccolte e smaltite separatamente dai rifiuti domestici. 
- I centri di raccolta sono disponibili per gli utenti finali. Per informazioni più dettagliate circa lo smaltimento delle vecchie apparecchiature elettriche ed elettroniche, contattare il negozio dove è stato acquistato l'apparecchio o l'autorità locale.

Smaltimento delle pile e/o accumulatori

- I rifiuti di pile e/o accumulatori devono essere smaltiti separatamente dai rifiuti urbani mediante impianti di raccolta designati dal governo o dalle autorità locali.
- Lo smaltimento corretto dei rifiuti di pile e/o accumulatori contribuisce a risparmiare preziose risorse ed evitare potenziali effetti negativi sulla salute umana e l'ambiente.
- Lo smaltimento non corretto dei rifiuti di pile e/o accumulatori possono avere gravi conseguenze sull'ambiente e sulla salute umana a causa della presenza di sostanze pericolose in essi.
- Il simbolo RAEE, che mostra un contenitore con ruote barrato, indica che le pile e/o accumulatori devono essere raccolti e smaltiti separatamente dai rifiuti domestici. 
Pb, Hg, Cd
- I centri di raccolta sono disponibili per gli utenti finali. Per informazioni più dettagliate circa lo smaltimento dei rifiuti di pile e/o accumulatori, contattare il negozio dove è stato acquistato l'apparecchio o l'autorità locale.

Indice

Grazie per aver scelto TEAC. Leggere attentamente questo manuale per ottenere le migliori prestazioni da questo apparecchio.

IMPORTANTI ISTRUZIONI DI SICUREZZA	68
Prima dell'uso	69
Preparazione del giradischi	71
Note sugli stili	73
Collegamenti	74
Nomi e funzioni delle parti	75
Coperchio giradischi	76
Maneggiare i dischi	77
Sostituzione della cartuccia	78
Operazioni di base	79
Registrazione con un computer	81
Risoluzione dei problemi	82
Specifiche	83

Prima dell'uso

Accessori inclusi

Controllare che la scatola comprenda tutti gli accessori in dotazione indicati di seguito. Si prega di contattare il negozio dove è stata acquistata l'unità se uno qualsiasi di questi accessori è mancante o è stato danneggiato durante il trasporto.

- Tappetino di gomma × 1
- Adattatore 45 giri × 1
- Contrappeso × 1
- Conchiglia × 1
 - AT95E MM cartuccia (realizzata da Audio-Technica) preinstallata
- Piatto × 1
- Coperchio giradischi × 1
- Piedini in gomma per il coperchio giradischi × 2
- Cerniere × 2
- Cavo audio × 1
- Cavo USB × 1
- Alimentatore CA (GPE053A-120050-Z) × 1
- Manuale di istruzioni (questo documento) × 1
 - Conservare questo manuale in un luogo sicuro per future consultazioni.
- Cartolina di garanzia × 1 (per i clienti negli Stati Uniti e Canada)
 - Vedere il retro di questo documento per informazioni sulla garanzia in Europa e in altri paesi o aree.

Prima dell'uso (continua)

Precauzioni per l'uso

- Non collocare alcun oggetto sul coperchio giradischi. Gli oggetti sul coperchio potrebbero causare disturbi a causa di vibrazioni o cadere, soprattutto durante la riproduzione.
- Evitare di collocare l'unità alla luce solare diretta, vicino a una fonte di calore o in altre condizioni simili. Non collocare l'unità sopra un amplificatore o altri dispositivi che possono generare calore superiore alla temperatura di funzionamento di questa unità. Ciò potrebbe causare scolorimento, deformazione o malfunzionamento.
- Poiché l'unità potrebbe divenire calda durante il funzionamento, lasciare sempre uno spazio sufficiente intorno per la ventilazione. Quando si installa questa unità, lasciare un po' di spazio (almeno 20 cm) dagli altri dispositivi e le pareti per consentire una buona dissipazione del calore.
Quando si colloca in un rack, per esempio, lasciare almeno 35 cm sopra e 10 cm dietro. Il mancato rispetto di queste precauzioni potrebbe causare un surriscaldamento interno e provocare incendi.
- **NON SPOSTARE L'UNITÀ DURANTE LA RIPRODUZIONE.** Durante la riproduzione, il disco ruota. Non sollevare o spostare l'unità durante la riproduzione. Ciò potrebbe danneggiare il disco, lo stilo, la cartuccia o l'unità.
- Rimuovere sempre il disco prima di trasferirsi o spostare l'unità. Spostamento dell'unità con un disco sul giradischi potrebbe danneggiare il disco, lo stilo e la cartuccia o potrebbe causare malfunzionamenti.
- Il voltaggio fornito all'unità deve corrispondere alla tensione indicata sul pannello posteriore. Se si è in dubbio riguardo a ciò, consultare un elettricista.

Manutenzione

Se la superficie dell'unità si sporca, pulirla con un panno morbido o utilizzare sapone liquido neutro diluito. Lasciare asciugare completamente la superficie dell'unità prima di utilizzarla.

- Non utilizzare panni chimici, solventi o sostanze simili perché potrebbero danneggiare la superficie dell'unità.

CAUTELA

Per motivi di sicurezza, scollegare il cavo di alimentazione dalla presa di corrente prima di pulirla.

Preparazione del giradischi

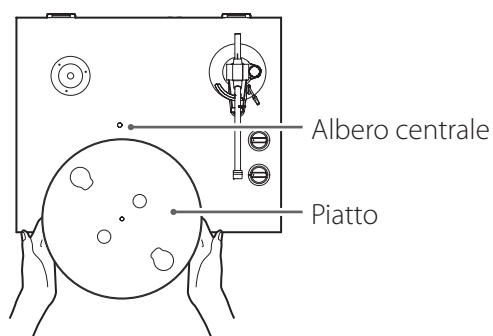
Tenere l'unità in standby durante la configurazione (E a pagina 74 e a pagina 75).

1 Metterla su una superficie piana.

Dal momento che le altezze dei piedini di questa unità non possono essere regolate, assicurarsi di posizionarla su una superficie piana.

2 Installare il piatto giradischi.

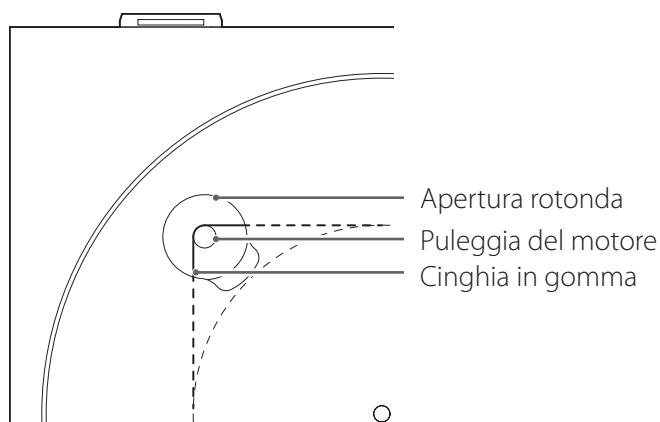
Allineare il piatto giradischi con l'albero centrale e installarla.



3 Avvolgere la cinghia attorno alla puleggia del motore.

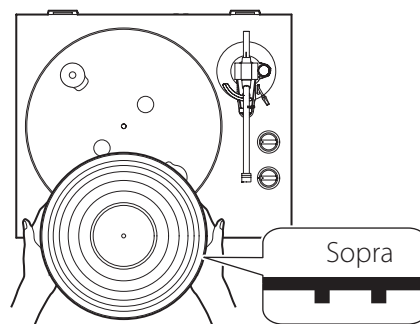
Usare un dito per tirare la cinghia di gomma che è avvolta intorno al piatto inferiore attraverso l'apertura rotonda e avvolgerla intorno alla puleggia del motore.

- Fare attenzione a non torcere la gomma.
- Ruotare il piatto diverse volte per assicurarsi che sia sicuro.



4 Posizionare il tappetino di gomma.

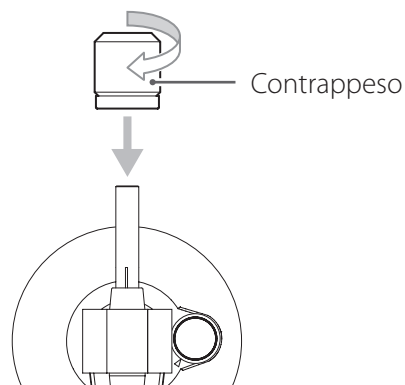
Posizionare il tappetino protettivo di gomma che è incluso con il giradischi prima dell'uso.



- Il tappetino di gomma ha una parte superiore e una inferiore. Come mostrato in figura, il lato con i cerchi concentrici increspati deve essere collocato verso il basso.

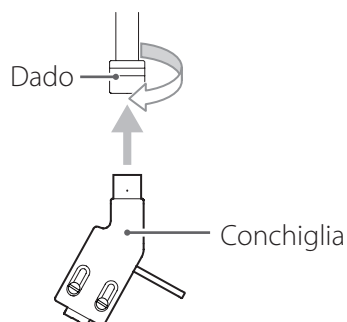
5 Installare il contrappeso.

Posizionare il contrappeso all'estremità del braccetto e ruotarlo in senso orario per stringerlo.



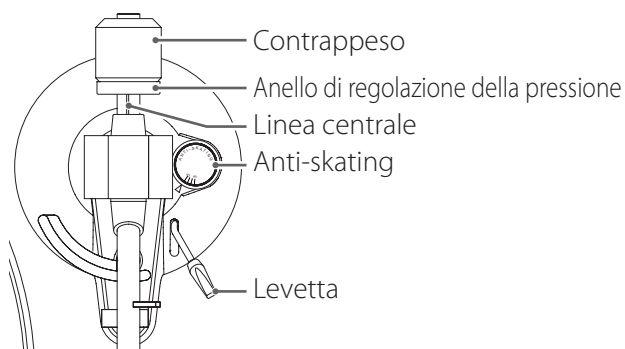
6 Installare la conchiglia.

Inserire la conchiglia alla fine del braccetto e ruotare il dado per fissarla.



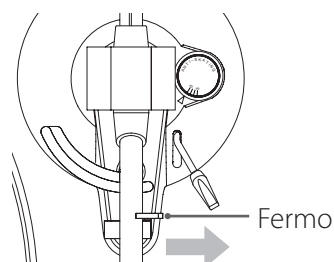
Preparazione del giradischi (continua)

Bilanciare il braccetto e regolare la pressione dello stilo



1 Impostare la ghiera anti-skating a zero.

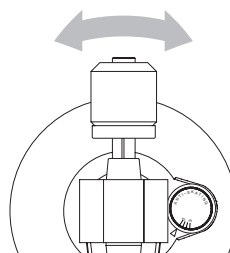
2 Spostare il braccetto dal fermo verso destra per lasciarlo libero.



3 Sollevare la levetta e spostare leggermente il braccetto verso sinistra.

4 Abbassare la levetta.

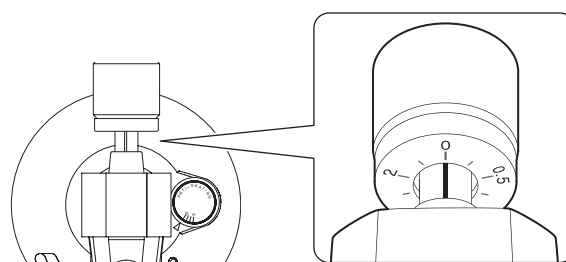
5 Ruotare il contrappeso e regolarlo in modo che il braccetto rimanga in equilibrio.



- Rimuovere il coperchio della cartuccia di protezione stilo prima di eseguire regolazioni.
- Fare attenzione a non lasciare che lo stilo tocchi l'unità.

6 Riportare il braccetto alla sua posizione originale e spostare il fermo del braccetto verso sinistra per bloccarlo.

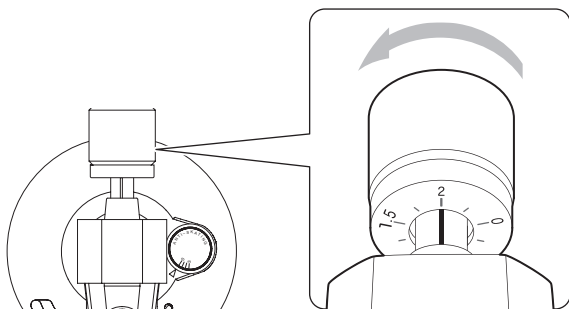
7 Ruotare l'anello di regolazione della pressione dello stilo in modo che la linea centrale sia allineata con lo 0 (zero) della scala.



- Fare attenzione a non lasciare che il contrappeso giri.

8 Ruotare il contrappeso in modo che la pressione dello stilo indicata sulla scala di regolazione corrisponda al peso specificato per il tipo di cartuccia.

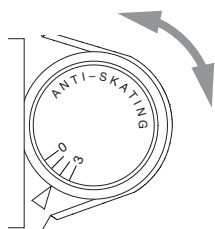
- Il peso da impostare per lo stilo della cartuccia in dotazione è di 2,0 g.
Quindi, ruotare su 2 della scala del contrappeso quando si utilizza la cartuccia in dotazione.



- Gli stili per dischi sono componenti di precisione, pertanto bisogna maneggiarli con cura onde evitare di piegarli o danneggiare la loro punta. Se uno stilo si piega o viene danneggiato, potrebbe non essere in grado di seguire il solco in modo preciso e potrebbe danneggiare i dischi o causare altri malfunzionamenti.
- Se uno stilo raccoglie lo sporco del disco, usare un detergente per stili disponibile in commercio o un prodotto simile per pulirlo.
- Non strofinare la punta dello stilo con forza usando oggetti duri. Non pulire lo stilo con sostanze chimiche solventi o altri. In questo modo si potrebbe danneggiarlo.

9 Regolare il selettore di anti-skating.

Iniziare con un'impostazione a 2 e regolare l'anti-skating durante la riproduzione del disco (pagina 79) nella posizione in cui il bilanciamento sinistro/destro del volume è centrale.



Sostituzione dello stilo

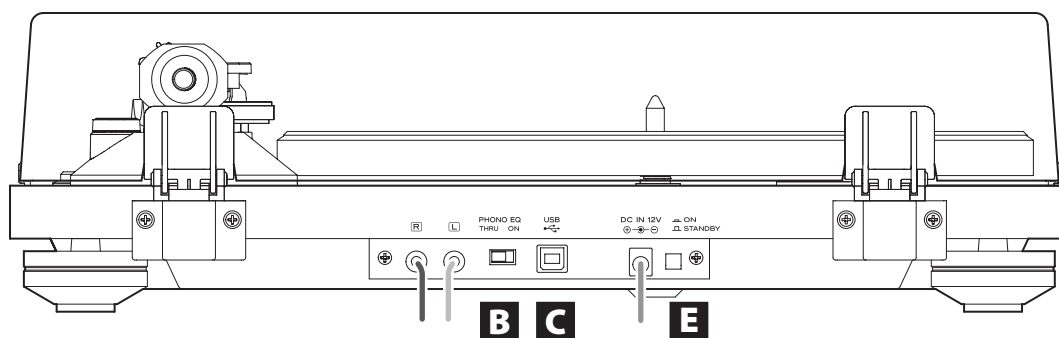
La cartuccia in dotazione è una Audio-Technica AT95E. Si consiglia di acquistare uno stilo di ricambio per la cartuccia AT95E presso il rivenditore che vende questa unità.

Seguire le istruzioni di sostituzione nel manuale dello stilo di ricambio.

CAUTELA

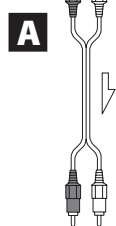
- Poiché potrebbero verificarsi forti rumori, mettere l'unità in standby prima di cambiare lo stilo.
- Fare attenzione a non ferire le dita o danneggiare l'apparecchiatura.
- Non permettere a bambini piccoli di ingerire accidentalmente uno stilo.

Collegamenti



Quando PHONO EQ è su ON
Collegare alle prese di ingresso audio dell'amplificatore ecc.

Quando PHONO EQ è su THRU
Collegare agli ingressi PHONO dell'amplificatore ecc.



B C

E

Alimentatore AC
incluso
(GPE053A-120050-Z)

⚠ Precauzioni durante i collegamenti

- Collegare l'unità solo dopo aver effettuato tutti gli altri i collegamenti.
- Leggere attentamente i manuali dei dispositivi che si vogliono collegare e seguire le relative istruzioni quando si effettuano i collegamenti.

A Prese di uscita audio analogiche (L/R)

Questi sono segnali audio analogici di uscita.

L'impostazione del selettore PHONO EQ cambia il tipo di segnale in uscita.

Usare il cavo audio in dotazione (o quelli disponibili in commercio) per collegare altre apparecchiature alle prese di uscita di questa unità.

Bianco (L) Bianco (L)
Rosso (R) Rosso (R)

B PHONO EQ (interruttore di impostazione di uscita audio)

ON

I segnali amplificati dall'equalizzatore incorporato vengono emessi dalle prese di uscita audio analogiche (L/R).

THRU

Il segnale di una cartuccia MM viene emesso direttamente attraverso le prese di uscita audio analogica (L/R).

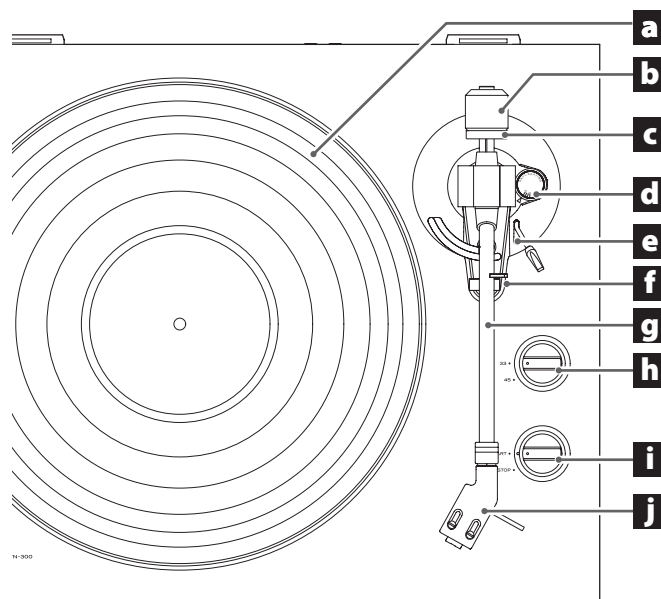
Utilizzare questa impostazione quando si collega un'apparecchiatura dotato di ingressi PHONO.

- Al momento della spedizione dalla fabbrica, questo è impostato su ON.

CAUTELA

Quando è impostato su ON, se viene collegato agli ingressi PHONO di un amplificatore, per esempio, l'uscita dagli altoparlanti o cuffie sarà molto forte, per cui si potrebbero danneggiare le apparecchiature o l'udito.

Nomi e funzioni delle parti



C Porta USB (USB tipo B)

Collegare questa alla porta USB di un computer per convertire il segnale audio in digitale e mandarlo al computer (pagina 81).

D Connettore di ingresso DC

Dopo aver completato tutti gli altri collegamenti, collegare l'alimentatore AC incluso (GPE053A-120050-Z) a questa presa.

Verificare che la spina di alimentazione dell'alimentatore AC sia inserito in una presa di corrente.

- Scollegare il cavo di alimentazione dalla presa di corrente quando non si prevede di utilizzare l'unità per un lungo periodo di tempo.
- Non utilizzare un alimentatore AC diverso da quello in dotazione (GPE053A-120050-Z).

⚠ Assicurarsi di collegare il cavo di alimentazione a una presa AC che fornisca la giusta tensione. Il collegamento a una presa che fornisce una tensione non corretta può provocare incendi o scosse elettriche.

Tenere la spina quando la si collega a una presa. Non tirare o stratonare il cavo di alimentazione.

Scollegare il cavo di alimentazione dalla presa di corrente quando non si prevede di utilizzare l'unità per un lungo periodo di tempo.

E Pulsante STANDBY/ON

Premere il pulsante STANDBY/ON per accendere l'unità o metterla in standby.

a Piatto

Posizionare il disco centrato sul piatto.

b Contrappeso

c Anello per regolare il peso sullo stilo

d Selettore anti-skating

e Levetta

Usare questa levetta per sollevare il braccetto e per abbassarlo sul disco.

f Supporto per il braccetto

Questo è un supporto per il braccetto nella posizione di riposo. Spingere delicatamente il fermo verso destra per rilasciare il braccetto prima di suonare un disco.

g Braccetto

h Manopola di regolazione della velocità di rotazione

Impostare la velocità di rotazione (RPM) adatta per il disco.

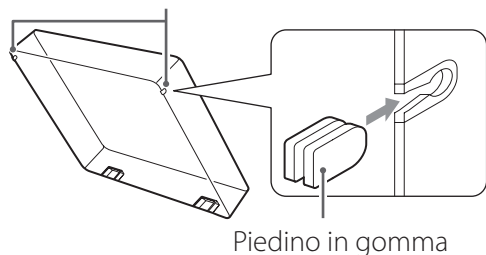
i Manopola START/STOP di rotazione del giradischi

j Conchiglia

Coperchio giradischi

Fissaggio dei piedini in gomma

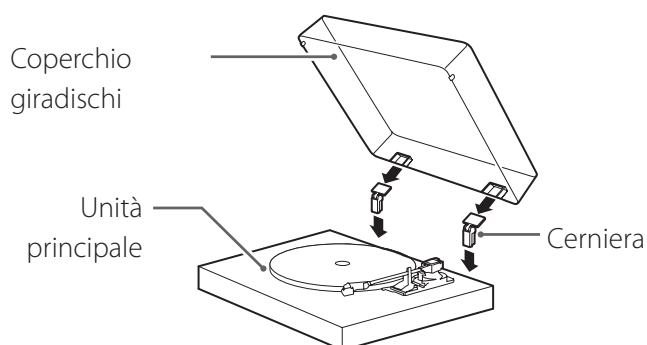
Punti di fissaggio dei piedini in gomma



Piedino in gomma

Come mostrato nella figura, fissare i piedini in gomma ai lati sinistro e destro del coperchio giradischi.

Montaggio del coperchio giradischi

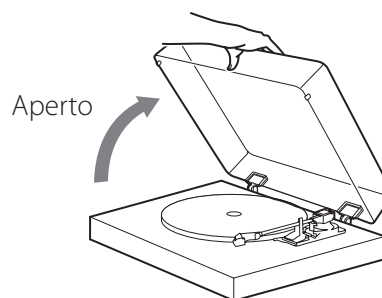


- 1 Inserire completamente le cerniere nei supporti alle estremità destra e sinistra della parte posteriore dell'unità principale.**
- 2 Allineare la parte superiore delle cerniere con supporti del coperchio giradischi e inserirle.**

Rimozione del coperchio giradischi

Tenere entrambi i bordi del coperchio giradischi e sollevarlo lentamente per rimuoverlo insieme alle cerniere dall'unità. Poi, rimuovere le cerniere dal coperchio giradischi.

Apertura e chiusura del coperchio giradischi



Apertura

Tenere il bordo anteriore del coperchio giradischi e sollevarlo delicatamente sino al suo completo arresto. Il coperchio giradischi rimarrà aperto in questa posizione.

Chiusura

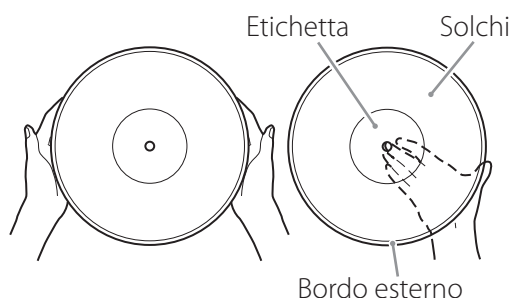
Abbassare delicatamente il coperchio giradischi fino alla completa chiusura.

⚠ Fare attenzione alle dita durante l'apertura e la chiusura del coperchio giradischi.

Maneggiare i dischi

Come tenere i dischi

Quando si tiene un disco o lo si rimuove dalla custodia, evitare di toccare i solchi tenendolo per l'etichetta e il bordo con una mano o tenendolo per i bordi con entrambe le mani.



Pulizia

- Le impronte digitali e la polvere su un disco possono causare rumore e salti, così come danneggiare il disco stesso e lo stilo. Usare un pulisci-dischi reperibile in commercio per pulire i dischi. Non usare solventi o qualcosa di diverso da un pulisci-dischi. Tali sostanze potrebbero danneggiare la superficie del disco.
- Quando si utilizza un pulisci-dischi, pulire la superficie del disco con un movimento circolare, seguendo i solchi.



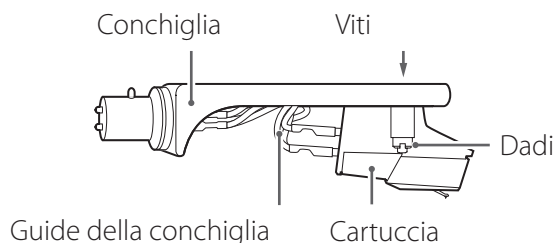
Precauzioni

- Non lasciare i dischi in luoghi esposti alla luce solare diretta o molto caldi o molto umidi. Lasciare a lungo un disco in tale condizioni può provocare deformazioni o altri danni.
- Non impilare più dischi o collocare oggetti pesanti su di loro. Non lasciare i dischi in posizione angolata per lunghi periodi di tempo. Ciò potrebbe causare deformazioni o altri danni.
- Non lasciare che oggetti duri vengano in contatto direttamente con i solchi. Ciò potrebbe graffiarli.
- Dopo aver terminato la riproduzione di un disco, rimetterlo sempre nella sua custodia per una corretta conservazione. Lasciare un disco non protetto potrebbe causare deformazioni o graffi.
- Non utilizzare dischi incrinati.

Sostituzione della cartuccia

Per cambiare la cartuccia, rimuovere prima la conchiglia dal braccetto.

- Si consiglia di mantenere il cappuccio di protezione dell'ago della cartuccia durante la sostituzione.

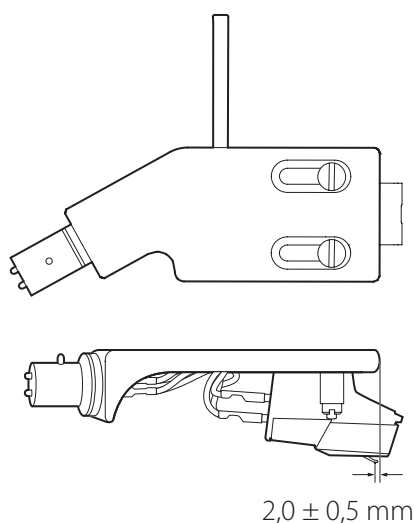


1 Scollegare i terminali della conchiglia dalla cartuccia.

2 Allentare le viti e rimuovere la cartuccia.

3 Fissare la nuova cartuccia e serrare le viti.

Vedere la figura seguente per la posizione delle viti quando sono fissate.



4 Collegare i terminali della conchiglia alla cartuccia.

- I segnali e i colori dei fili della conchiglia sono riportati di seguito.

Segnale	Colore
Canale sinistro +	Bianco
Canale sinistro -	Blu
Canale destro +	Rosso
Canale destro -	Verde

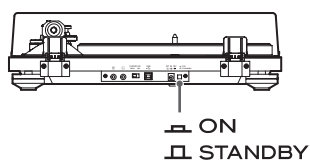
5 Bilanciare il braccetto e regolare la pressione dello stilo.

Seguire le procedure descritte in "Bilanciare il braccetto e regolare la pressione dello stilo" a "Bilanciare il braccetto e regolare la pressione dello stilo" a pagina 72.

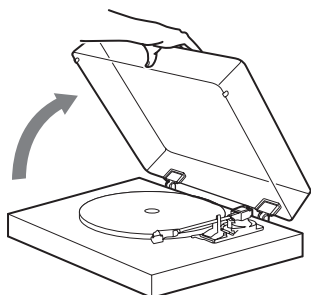
Operazioni di base

Riproduzione di dischi

- 1 Premere il pulsante **STANDBY/ON** sul retro dell'unità per accenderla.**



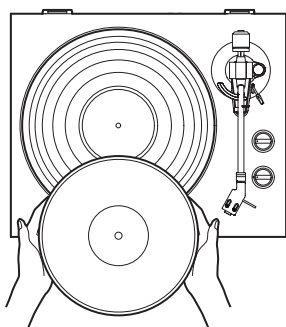
- 2 Aprire lentamente il coperchio del giradischi.**



- ⚠ Fare attenzione alle dita, per esempio, durante l'apertura e la chiusura del coperchio giradischi.**

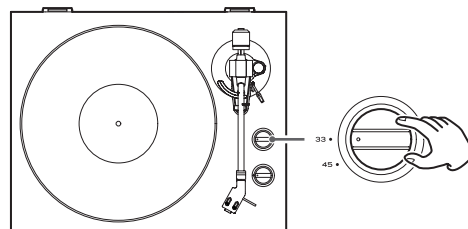
- 3 Posizionare un disco sul piatto.**

Durante la riproduzione di un 45 giri, utilizzare l'adattatore incluso.

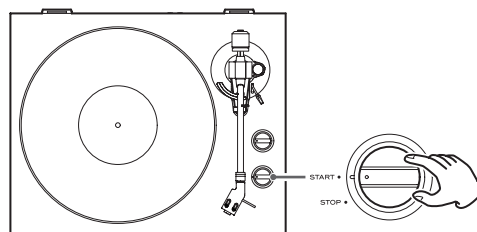


- 4 Impostare in base alla velocità di rotazione (RPM) del disco.**

La velocità di rotazione può essere impostata a 33 1/3 o 45 giri.

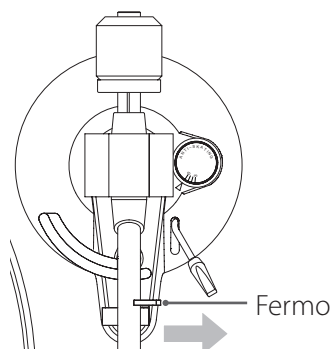


- 5 Girare la manopola **START/STOP** su **START** per avviare il giradischi.**



- Quando la manopola di rotazione **START/STOP** è impostata per l'avvio, il piatto inizierà a ruotare e il LED blu si accenderà.

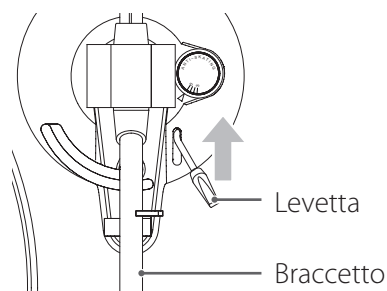
- 6 Spostare il fermo del braccetto verso destra per rilasciare il braccetto.**



Continua a pagina seguente ➔

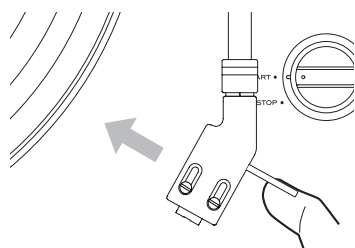
Operazioni di base (continua)

7 Sollevare la levetta.



- È possibile lasciare la levetta abbassata e spostare manualmente il braccetto sopra il disco e poi abbassare lentamente il braccetto per avviare la riproduzione.

8 Spostare il braccetto verso il bordo del disco o sul brano desiderato per avviare la riproduzione.



9 Abbassare la levetta.

Abbassare il braccetto lentamente fino a quando lo stilo tocca il disco e inizia la riproduzione.

- Si consiglia di chiudere il coperchio giradischi durante la riproduzione per evitare che la polvere si depositi sul disco.

⚠ Non collocare nulla sul coperchio giradischi. Gli oggetti sul coperchio potrebbero causare disturbi a causa di vibrazioni o cadere, soprattutto durante la riproduzione.

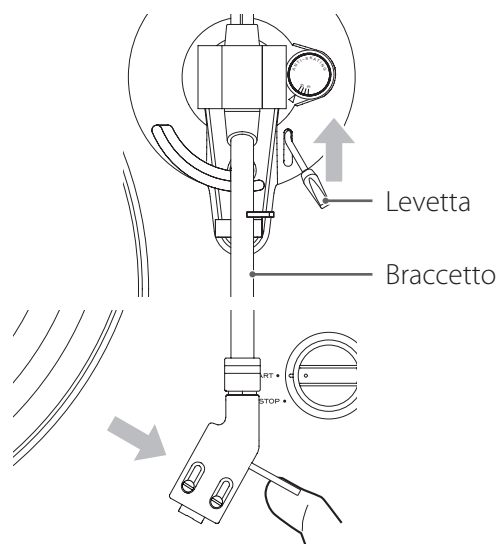
CAUTELA

- Durante la riproduzione, non toccare il braccetto o il disco in rotazione.
- Non interrompere la rotazione del piatto durante la riproduzione.

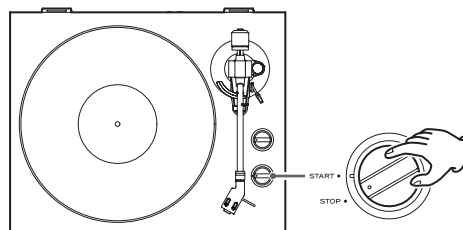
Durante la riproduzione di dischi, potrebbe verificarsi un feedback se il volume è troppo alto. Se questo accade, abbassare il volume dell'amplificatore.

Quando la riproduzione termina

1 Sollevare leggermente la levetta o il gancio posto sulla conchiglia e riportare il braccetto in posizione di riposo.



2 Girare su STOP la manopola di rotazione START/STOP per fermare il piatto.



- Quando il piatto si arresta, il LED blu si spegne.

Registrazione con un computer

Collegare questo giradischi a un computer tramite il cavo USB incluso per convertire i segnali audio in dati digitali e inviarli al computer.

Sistemi operativi supportati

I computer che eseguono i seguenti sistemi operativi possono essere collegati tramite USB a questa unità.

Windows

Windows 7 (32 bit, 64 bit)
Windows 8 (32 bit, 64 bit)
Windows 8.1 (32 bit, 64 bit)
(da settembre 2014)

Mac OS X

OS X Lion 10.7
OS X Mountain Lion 10.8
OS X Mavericks 10.9
(da settembre 2014)

L'uso di sistemi operativi diversi da questi non è garantito.

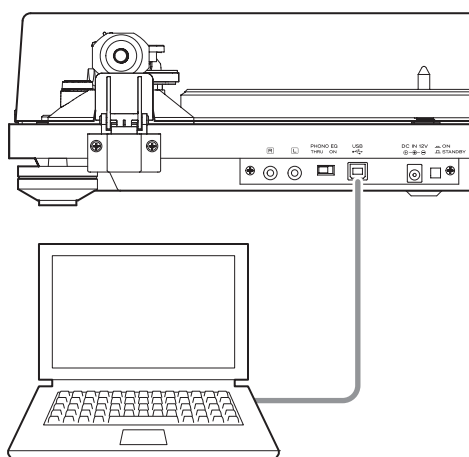
- Questa unità funzionerà con il driver standard del sistema operativo, quindi non è necessario installare un driver speciale.

Collegamento a un computer

1 Accendere il computer.

Verificare che il sistema operativo funzioni correttamente.

2 Usare il cavo USB per collegare il computer e l'unità.



3 Premere il pulsante STANDBY/ON di questa unità per accenderla.

Quando sono collegate, il computer rileverà automaticamente la porta USB di questa unità e di identificarla come "USB Audio CODEC".

- Per registrare l'audio da questo giradischi utilizzando un computer, è necessario installare un software da usare per la registrazione audio nel computer. È possibile acquistare separatamente il software di registrazione audio preferito o scaricare da Internet il software gratuito come, per esempio, Audacity (<http://audacity.sourceforge.net/>). Il software gratuito Audacity non è supportato da TEAC.
- Quando si collega a un computer tramite USB e si effettua una registrazione audio, non eseguire una delle seguenti operazioni. Ciò potrebbe causare malfunzionamenti del computer. Chiudere sempre il software di registrazione nel computer prima di procedere.
 - Scollegare il cavo USB
 - Mettere l'unità in standby

Impostazioni del computer

L'esempio seguente spiega le impostazioni per l'utilizzo con Windows 7.

1 Dal menu Start, selezionare il Pannello di controllo.

2 Fare clic su "Audio".

3 Fare clic su "Registrazione" e verificare che "USB Audio CODEC" sia impostato come "Dispositivo predefinito".

4 Selezionare "Microfono USB Audio CODEC" e fare clic sul pulsante Proprietà.

5 Fare clic su "Avanzate".

6 Dal menu a discesa "Formato predefinito" selezionare "2 canali, 16 bit, 48000 Hz (qualità DVD)".

7 Cliccare su "OK".

Risoluzione dei problemi

Se si verificano problemi con questa unità, si prega di controllare i seguenti punti prima di richiedere assistenza. Qualcosa di diverso potrebbe essere la causa del problema. Si prega di verificare che anche i dispositivi collegati vengano utilizzati correttamente.

Se l'unità persiste a non funzionare correttamente, contattare il rivenditore presso il quale è stata acquistata.

Assenza di alimentazione.

- ➔ Verificare che l'alimentatore sia collegato a una presa di corrente. Quindi, premere il pulsante STANDBY/ON per accendere l'unità (pagina 74).

Nessun suono.

- ➔ Quando si collegano le prese di uscita audio analogiche di questa unità alle prese di ingresso audio di un amplificatore o di un altro apparecchio, impostare l'interruttore PHONO EQ (impostazione di uscita audio) su ON (pagina 74).

La riproduzione non è possibile; c'è del rumore.

- ➔ Verificare che il coperchio dello stilo (in plastica bianca) sia stato rimosso.
- ➔ Pulire lo stilo (pagina 73).
- ➔ Se lo stilo è logoro, sostituirlo (pagina 73).
- ➔ Posizionare l'unità il più lontano possibile da televisori, forni a microonde e altri dispositivi che emettono onde elettromagnetiche.

L'intonazione è errata.

- ➔ Impostare la velocità di rotazione (RPM) in modo che corrisponda a quella del disco (pagina 79).

Il suono salta.

- ➔ Le vibrazioni causano salti. Collocare l'unità in un luogo stabile.
- ➔ Se il disco è sporco, pulirlo.
- ➔ Non utilizzare dischi graffiati.
- ➔ Bilanciare il braccetto e regolare la pressione dello stilo (pagina 72).

Se la pressione dello stilo è inferiore al valore designato per la cartuccia, è più probabile che si verifichino salti.

Specifiche

Giradischi

Sistema di trazione	Trasmissione a cinghia
Motore	Motore DC
Velocità di rotazione	33 1/3 rpm, 45 rpm
Variatione della velocità di rotazione	±2%
Wow & flutter	0,2%
Rapporto SN...	67 dB o superiore (pesato A, 20 kHz LPF)
Piatto	Alluminio pressofuso diametro 30 cm

Braccetto

Tipo di braccetto	
Braccetto dritto bilanciato staticamente	
Lunghezza del braccio effettiva	223 mm
Campo di variazione di pressione dello stilo	0-5 g
Peso della cartuccia accettato	3,5-6,5 g

Cartuccia

Tipo	MM
Tensione di uscita	2,5 mV ±3 dB
Pressione dello stilo	2,0 ±0,5 g
Peso della cartuccia	5,7 ±0,5 g
Peso della conchiglia inclusa	10 g (compresi viti, dadi e fili)

Tensione di uscita

PHONO EQ THRU	2,5 mV ±3 dB
PHONO EQ ON	155 mV (-16 dBV)
Prese di uscita	RCA

Porta USB

Porta USB che può ricevere alimentazione dal bus USB del computer (Full Speed) Connettore USB tipo B
Supporto di alimentazione bus USB..... 5 V, 500 mA

- Usare il cavo USB in dotazione per collegare l'unità a un computer per ricevere l'alimentazione.

Generali

Adattatore di alimentazione AC	
Ingresso	AC 100 V-AC 240 V, 50-60 Hz
Uscita	12 V, 500 mA
Consumo	
Standby	0,5 W o meno
Acceso (START)	1,5 W o meno
Peso	4,9 kg
Temperatura di esercizio	da 5°C a 35°C
Dimensioni (L × A × P) (incluse le parti sporgenti)	420 × 356 × 117 mm

- Dati relativi al funzionamento a 20 °C.

Accessori in dotazione

Tappetino di gomma	× 1
Adattatore 45 giri	× 1
Contrappeso	× 1
Conchiglia	× 1
AT95E MM cartuccia (realizzata da Audio-Technica)	preinstallata
Piatto	× 1
Coperchio giradischi	× 1
Piedini in gomma per il coperchio giradischi	× 2
Cerniere	× 2
Cavo audio	× 1
Cavo USB	× 1
Alimentatore CA (GPE053A-120050-Z)	× 1
Manuale di istruzioni (questo documento)	× 1
Cartolina di garanzia	× 1 (per i clienti negli Stati Uniti e Canada)

- Le specifiche e l'aspetto sono soggetti a modifiche senza preavviso.
- Peso e dimensioni sono approssimativi.
- Le illustrazioni in questo manuale potrebbero differire leggermente dai modelli di produzione.

BELANGRIJK VOOR UW VEILIGHEID

- Stel dit apparaat niet bloot aan regen of spatten.
- Plaats geen met vloeistof gevulde voorwerpen zoals vazen op het apparaat.
- Plaats het apparaat niet in een afgesloten ruimte zoals een kast o.i.d.
- Ook uitgeschakeld neemt het apparaat een geringe stroom op wanneer de POWER of STANDBY/ON schakelaar niet op ON staat.
- Plaats het apparaat dicht genoeg bij een stopcontact om snel de stekker uit te kunnen trekken in geval van nood.
- De stekker fungeert als hoofdschakelaar en dient altijd bereikbaar te zijn.
- Wees altijd voorzichtig met het afspeelniveau bij oortelefoons of hoofdtelefoons in combinatie met dit product. Excessieve geluidsdruk (volume) van oortelefoons of hoofdtelefoon kan leiden tot gehoorverlies.

CONFORMITEITSVERKLARING

Wij, TEAC AUDIO EUROPE, Liegnitzer Straße 6, 82194 Gröbenzell, Duitsland verklaren voor eigen verantwoording dat het TEAC product dat wordt beschreven in deze handleiding voldoet aan de betreffende technische normen.



LET OP


Wijzigingen of modificaties aan deze apparatuur die niet uitdrukkelijk door TEAC zijn goedgekeurd, laten de gebruikersgarantie vervallen.

Voor Europese gebruikers

Verwerking van elektrische en elektronische apparatuur

- Alle elektrische en elektronische apparatuur dient te worden gescheiden van het normale huisvuil en te worden ingeleverd bij door de overheid daartoe aangewezen locaties.
- Door elektrische en elektronische apparatuur op de juiste manier af te voeren, draagt u bij aan het juiste gebruik van grondstoffen en voorkomt u een negatief effect op ons milieu en de volksgezondheid.
- Onjuiste verwerking van gebruikte elektrische en elektronische apparatuur kan het milieu en de volksgezondheid ernstig schaden door de aanwezigheid van gevaarlijke stoffen in de apparatuur.
- Het symbool van Gebruikte Elektrische en Elektronische Apparatuur (WEEE), dat een klike met wieltjes voorstelt met een kruis er doorheen, geeft aan dat het apparaat niet met het huisvuil mag worden afgevoerd, maar op de daarvoor aangewezen plaats dient te worden ingeleverd. 
- Inlever- en verzamelplaatsen zijn voor eindgebruikers beschikbaar gesteld. Nadere informatie over het afvoeren van gebruikte elektrische en elektronische apparatuur kan uw gemeente u geven en ook de leverancier waar u de apparatuur heeft aangeschaft.

Verwerking van lege batterijen en/of accu's

- Alle lege batterijen en/of accu's dienen te worden gescheiden van het normale huisvuil en te worden ingeleverd bij door de overheid daartoe aangewezen locaties.
- Door lege batterijen en/of accu's op de juiste manier af te voeren, draagt u bij aan het juiste gebruik van grondstoffen en voorkomt u een negatief effect op ons milieu en de volksgezondheid.
- Onjuiste verwerking van gebruikte batterijen en/of accu's kan het milieu en de volksgezondheid ernstig schaden door de aanwezigheid van gevaarlijke stoffen in de apparatuur.
- Het symbool van Gebruikte Elektrische en Elektronische Apparatuur (WEEE), dat een klike met wieltjes voorstelt met een kruis er doorheen, geeft aan dat batterijen en/of accu's niet met het huisvuil mogen worden afgevoerd, maar op de daarvoor aangewezen plaats dienen te worden ingeleverd. 
Pb, Hg, Cd
- Inlever- en verzamelplaatsen zijn voor eindgebruikers beschikbaar gesteld. Nadere informatie over het afvoeren van gebruikte batterijen en/of accu's kan uw gemeente u geven en ook de leverancier waar u de apparatuur heeft aangeschaft.

Inhoud

Dank u voor het gebruik van TEAC. Lees deze handleiding aandachtig om dit apparaat zo goed mogelijk te kunnen gebruiken.

BELANGRIJK VOOR UW VEILIGHEID.....	84
Vóór gebruik.....	85
De draaitafel voorbereiden.....	87
Opmerking over draaitafelnaalden.....	89
Aansluitingen.....	90
Namen en functies van onderdelen.....	91
Draaitafelkap.....	92
Omgaan met grammofoonplaten.....	93
Het element verwisselen.....	94
Basisbediening.....	95
Opnemen met een computer.....	97
Problemen oplossen.....	98
Specificaties.....	99

Vóór gebruik

Meegeleverde onderdelen

Controleer of de verpakking alle hieronder weergegeven accessoires bevat. Neem contact op met de winkel waar u dit apparaat heeft gekocht als een van deze accessoires ontbreekt of tijdens transport is beschadigd.

- Rubber mat × 1
- 45 RPM adapter × 1
- Contragewicht × 1
- Elementhouder × 1
 - AT95E MM element (gefabriceerd door Audio-Technica) voorgeïnstalleerd
- Draaitafel × 1
- Draaitafelkap × 1
- Rubber voeten voor draaitafelkap × 2
- Scharnieren × 2
- Audiokabel × 1
- USB-kabel × 1
- Netadapter (GPE053A-120050-Z) × 1
- Gebruikershandleiding (dit document) × 1
 - Bewaar de handleiding op een veilige plaats om in de toekomst te kunnen raadplegen.
- Garantiekaart × 1 (alleen voor klanten in Verenigde Staten en Canada)
 - Zie de achterzijde van dit document voor informatie over de garantie in Europa en andere landen of gebieden.

Voorzorgsmaatregelen vóór gebruik

- Plaats geen objecten op de draaitafelkap. Objecten op de kap kunnen storing veroorzaken als gevolg van trillingen of ze kunnen van de kap vallen, vooral tijdens afspelen.
- Plaats het apparaat niet in direct zonlicht of dicht bij een hittebron of in andere vergelijkbare situaties. Plaats het apparaat niet bovenop een versterker of andere apparatuur die meer warmte produceert dan het bedrijfstemperatuurbereik van dit apparaat. Hierdoor kan verkleuring, vervorming of kunnen defecten ontstaan.
- Omdat het apparaat tijdens gebruik warm kan worden moet u er voldoende ruimte omheen vrij laten voor ventilatie. Laat bij het installeren van dit apparaat enige ruimte (minstens 20 cm) tussen het apparaat en de wand en andere apparatuur om voldoende warmteafvoer mogelijk te maken. Laat bij plaatsing in een rek minstens 35 cm ruimte open aan de bovenkant en 10 cm aan de achterkant. Als er niet voldoende ruimte is kan zich hitte ontwikkelen, die zelfs kan resulteren in brand.
- **VERPLAATS HET APPARAAT NIET TIJDENS AFSPELEN.** Tijdens afspelen draait de plaat. Het apparaat tijdens afspelen niet optillen of verplaatsen. Hierdoor kan de grammofoonplaat, de naald, het element of het apparaat beschadigen.
- Verwijder altijd de plaat alvorens het apparaat te verplaatsen. Als het apparaat wordt verplaatst met een grammofoonplaat op de draaitafel kan de grammofoonplaat, de naald of het element worden beschadigd of kan er een defect optreden.
- Het voltage waarmee het apparaat wordt gevoed moet overeenkomen met het voltage dat op het achterpaneel wordt vermeld. Neem bij twijfel contact op met een elektricien.

Onderhoud

Als het oppervlak van het apparaat vuil wordt, veeg dit dan schoon met een zachte doek, of gebruik verdunde milde zachte zeep. Laat het oppervlak van het apparaat volledig opdrogen alvorens het te gebruiken.

- Gebruik geen chemische reinigingsdoekjes, oplosmiddel of soortgelijke substanties, omdat deze het oppervlak van het apparaat kunnen beschadigen.

LET OP

Trek voor uw veiligheid vóór het schoonmaken de stekker uit het stopcontact.

De draaitafel voorbereiden

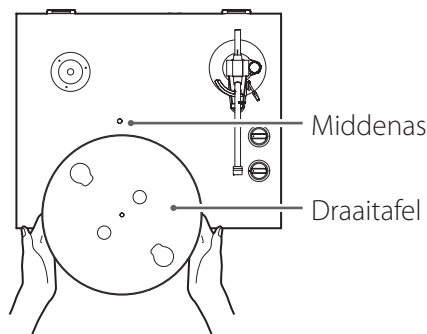
Zet het apparaat op standby tijdens de installatie (E op pagina's 90 en 91).

1 Plaats het op een vlakke ondergrond.

Omdat de hoogte van de voeten van het apparaat niet kan worden aangepast moet het op een vlakke ondergrond worden geplaatst.

2 Installeer de draaitafel.

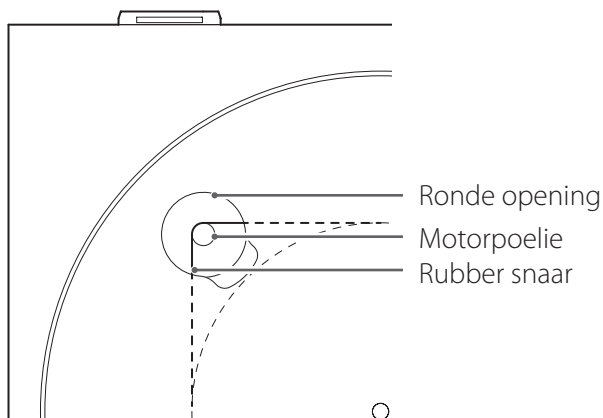
Hou de draaitafel boven de middenas en installeer deze.



3 Sla de snaar om de motorpoelie.

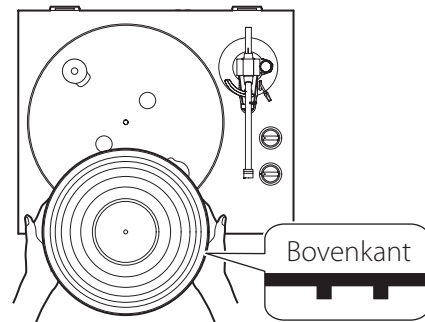
Trek met uw vinger de rubber snaar die zich rond de subschotel bevindt door de ronde opening en lus deze om de motorpoelie.

- Zorg dat het rubber niet wordt gedraaid.
- Draai de draaitafel verschillende keren rond om te zorgen dat de snaar goed zit.



4 Plaats de rubber mat.

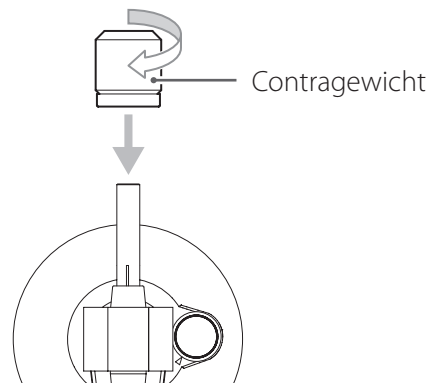
Plaats voor gebruik de meegeleverde rubber beschermmat op de draaitafel.



- De rubberen mat heeft een boven- en onderkant. Zoals in de illustratie te zien is, moet de zijde met de geribbelde concentrische cirkels omlaag worden geplaatst.

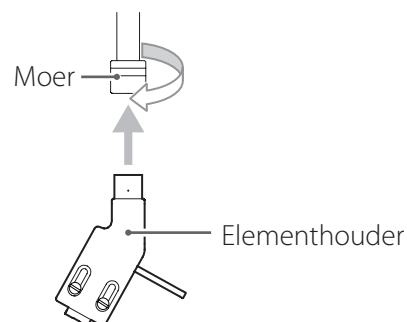
5 Installeer het contragewicht.

Draai het contragewicht met de klok mee op het uiteinde van de draaitafelarm om het vast te maken.



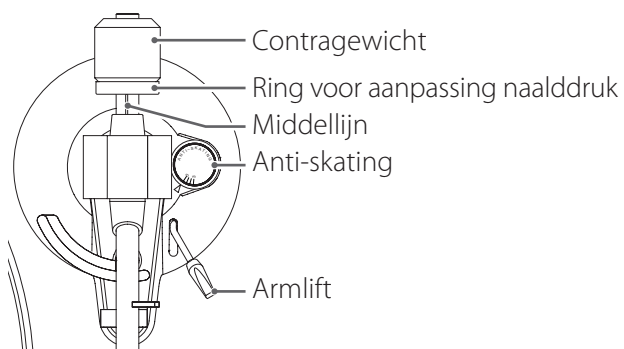
6 Installeer de elementhouder.

Installeer de elementhouder aan het uiteinde van de draaitafelarm en draai de moer aan om de elementhouder vast te maken.



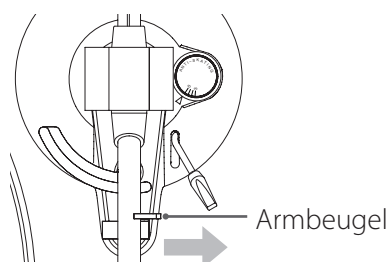
De draaitafel voorbereiden (vervolg)

De draaitafelarm balanceren en de naalddruk aanpassen



1 Zet de anti-skatingdraaiknop op nul.

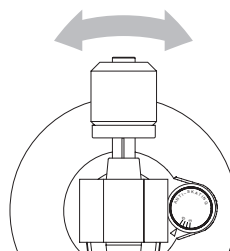
2 Beweeg de arambeugel voorzichtig naar rechts om de draaitafelarm vrij te maken.



3 Breng de armlift omhoog en verplaats de draaitafelarm enigszins naar links.

4 Breng de armlift omlaag.

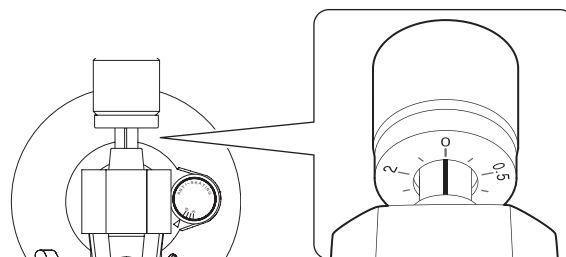
5 Draai aan het contragewicht en stel dit zo in dat de draaitafelarm horizontaal is.



- Verwijder eerst de naaldbescherming van het element alvorens de instelling te maken.
- Laat de naald van het element geen contact maken met het apparaat.

6 Breng de draaitafelarm terug in de oorspronkelijke positie en beweeg de draaitafelarmklem naar links om de arm te vergrendelen.

7 Draai aan de ring om de naalddruk aan te passen zodat de middellijn gelijk ligt met 0 op de schaal.

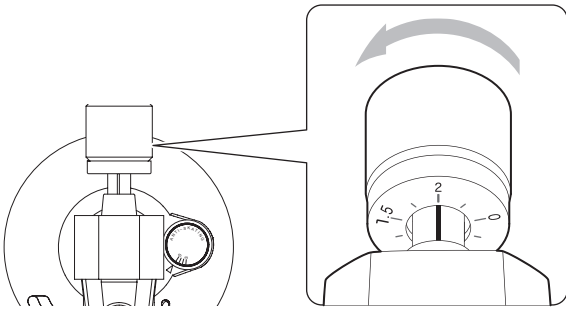


- Zorg dat het contragewicht niet draait.

Opmerking over draaitafelnaalden

8 Draai het contragewicht zo dat de ring voor aanpassing van de naalddruk overeenkomt met de naalddruk die voor het element wordt gespecificeerd.

- De naalddruk van het meegeleverde element is 2,0 g.
Draai dus tot 2 op de schaal van het contragewicht bij gebruik van het meegeleverde element.



- Grammofoonnaalden zijn precisieonderdelen die voorzichtig moeten worden behandeld, om verbuigen of beschadiging van de punt te voorkomen. Als een naald verbogen of beschadigd raakt, kan deze wellicht de geluidsgroeven niet meer nauwkeurig volgen en kunnen grammofoonplaten worden beschadigd of kunnen er andere defecten optreden.
- Gebruik als een naald vuil wordt naaldreiniger of een vergelijkbaar product om de naald te reinigen.
- Wrijf nooit met een hard voorwerp langs de naald. Veeg de naald niet af met verdunner of andere chemicaliën. Hierdoor kan de naald beschadigen.

De naald vervangen

Het meegeleverde element is een Audio-Technica AT95E. Koop een vervangende naald voor het AT95E-element bijvoorbeeld bij de leverancier waar u dit apparaat heeft gekocht.

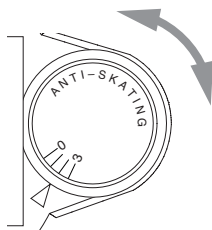
Volg voor vervanging de instructies in de handleiding van de vervangende naald.

LET OP

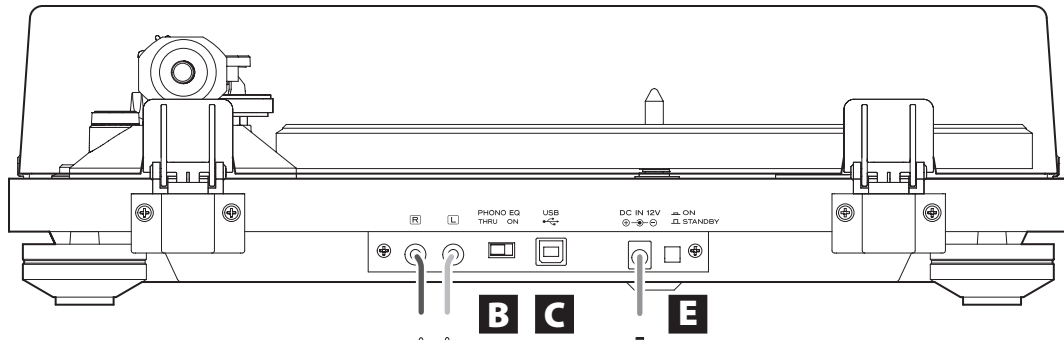
- Schakel het apparaat op standby alvorens de naald te vervangen, omdat er zich hierbij luide geluiden kunnen voordoen.
- Zorg dat u uw hand niet bezeert of het apparaat beschadigt.
- Pas op dat kinderen niet per ongeluk naalden inslikken.

9 Pas de anti-skatingdraaiknop aan.

Start met deze knop op 2 en pas dit tijdens het afspelen van een grammofoonplaat (pagina 95) aan tot de positie waar de geluidsvolumes links en rechts in balans zijn.

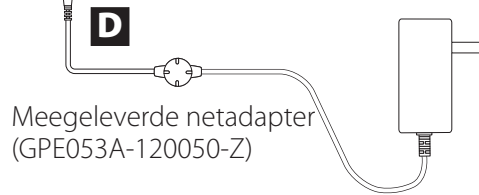
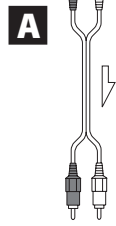


Aansluitingen



Als PHONO EQ is ON
Aansluiten op audioingangen
van versterker, etc.

Als PHONO EQ is THRU
Aansluiten op de PHONO-
ingangen van de versterker, etc.



Meegeleverde netadapter
(GPE053A-120050-Z)

⚠ Voorzorgsmaatregelen voor het aansluiten

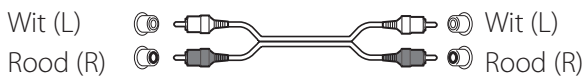
- Steek de stekker van het apparaat niet in het stopcontact voordat u alle aansluitingen heeft voltooid.
- Lees de handleidingen van de apparatuur waarmee u aansluitingen tot stand brengt zorgvuldig en volg de instructies op bij het realiseren van de aansluitingen.

A Analoge audio-uitgangen (L/R)

Deze verzenden analoge audiosignalen.

De instelling van de schakelaar PHONO EQ wijzigt het type uitgangssignaal.

Gebruik de meegeleverde audiokabel (of een in de handel verkrijgbare audiokabel) om andere apparatuur op de uitgangen van dit apparaat aan te sluiten.



B Schakelaar PHONO EQ (audio-uitgang instelling)

ON

Signalen die zijn versterkt door de ingebouwde toonregelingsversterker worden weergegeven via de analoge audio-uitgangen (L/R).

THRU

Het signaal van het MM-element wordt direct via de analoge audio-uitgangen (L/R) weergegeven.

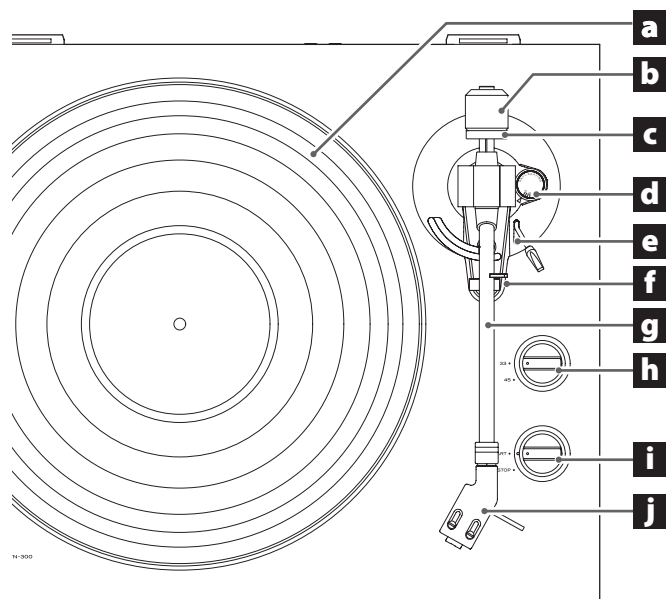
Gebruik dit bij aansluiting op apparatuur met PHONO-ingangen.

- Bij aflevering vanaf de fabriek is dit ingesteld op ON.

LET OP

Indien ingeschakeld en aangesloten op de PHONO-ingangen van bijvoorbeeld een versterker kan de weergave via luidsprekers en hoofdtelefoons zeer luid zijn, wat de apparatuur of uw gehoor kan beschadigen.

Namen en functies van onderdelen



C USB-poort (USB B-type)

Aansluiten op de USB-poort van een computer om het audiosignaal van dit apparaat om te zetten naar digitaal signaal en te verzenden naar de computer (pagina 97).

D DC-ingang

Voltooi eerst alle andere aansluitingen en sluit dan de meegeleverde netadapter (GPE053A-120050-Z) op deze ingang aan.

Controleer of de stekker van de netadapter in het stopcontact is gestoken.

- Trek de stekker uit het stopcontact als u het apparaat voor langere tijd niet gaat gebruiken.
- Gebruik geen andere netadapter dan de meegeleverde (GPE053A-120050-Z).

⚠️ Zorg dat het netsnoer wordt aangesloten op een stopcontact dat het juiste voltage levert. Aansluiten op een stopcontact dat het verkeerde voltage levert kan brand of elektrische schokken veroorzaken.

Houd de stekker vast als het snoer in het stopcontact wordt gestoken of eruit wordt getrokken. Trek nooit met kracht aan het netsnoer.

Trek de stekker uit het stopcontact als u het apparaat voor langere tijd niet gaat gebruiken.

E Toets STANDBY/ON

Druk op de toets STANDBY/ON om het apparaat in te schakelen of op standby te zetten.

a Draaitafel

Plaats grammofoonplaten gecentreerd op de draaitafel.

b Contragewicht

c Ring voor aanpassing naalddruk

d Anti-skatingknop

e Armlift

Gebruik deze lift om de draaitafelarm op te tillen en op de grammofoonplaat te laten zakken.

f Armhouder

Hier rust de draaitafelarm op. Beweeg de beugel voorzichtig naar rechts om de draaitafelarm vrij te maken, alvorens een grammofoonplaat af te spelen.

g Draaitafelarm

h Toerental instelknop

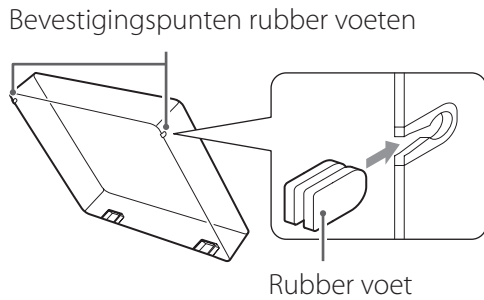
Stel het juiste toerental (RPM) voor de grammofoonplaat in.

i Draaiknop START/STOP draaitafel

j Elementhouder

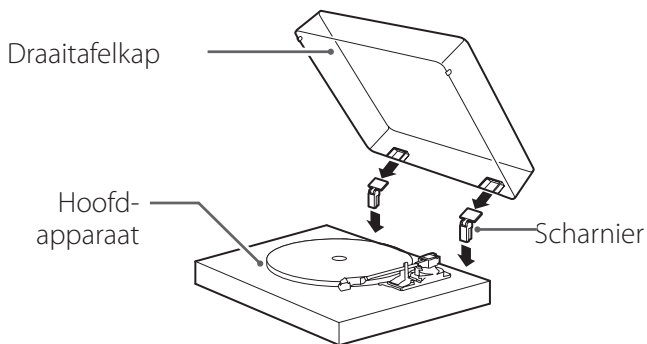
Draaitafelkap

De rubber voeten bevestigen



Bevestig de rubber voeten aan de linker- en rechterkant van de draaitafel, zoals in de illustratie wordt weergegeven.

De draaitafelkap bevestigen

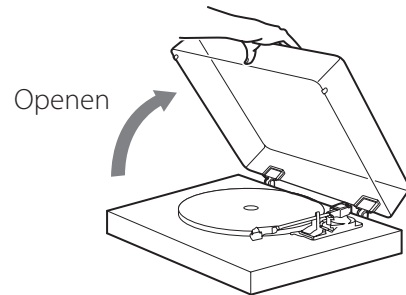


- 1 Steek de scharnieren volledig in de scharnierhouders aan de linker en rechter achterkant van het hoofdapparaat.**
- 2 Breng de bovenkanten van de scharnieren op één lijn met de scharnierhouders van de draaitafelkap en schuif deze erin.**

De draaitafelkap verwijderen

Houd de draaitafelkap aan beide kanten vast en wil deze langzaam omhoog om te verwijderen uit de scharnieren van het apparaat. Verwijder vervolgens de scharnieren van de draaitafelkap.

De draaitafelkap openen en sluiten



Openen

Houd de voorkant van de draaitafelkap vast en heel deze voorzichtig open totdat hij stuit. De draaitafelkap blijft in deze positie openstaan.

Sluiten

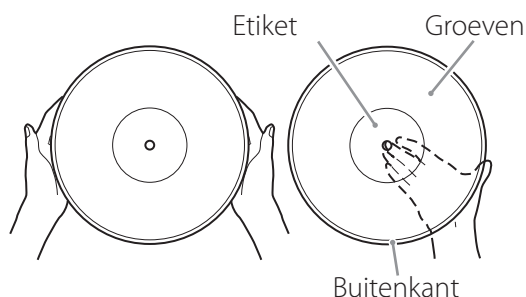
Laat de draaitafelkap voorzichtig zakken tot deze is gesloten.

⚠ Voortkom dat uw hand klem komt te zitten, bijvoorbeeld bij het openen en sluiten van de draaitafelkap.

Omgaan met grammofonplaten

Grammofonplaten vasthouden

Vermijd het aanraken van de groeven als een grammofonplaat uit de hoes wordt gehaald en wordt vastgehouden. Houd de grammofonplaat vast bij het etiket en aan de zijkant of met beide handen aan de zijkanten.



Reinigen

- Vingerafdrukken en vuil op een grammofonplaat kunnen ruis en het haperen van het geluid veroorzaken, maar ook de plaat zelf en de naald beschadigen. Gebruik in de handel verkrijgbare platenreiniger om grammofonplaten te reinigen. Gebruik geen oplosmiddel of andere vloeistoffen dan platenreiniger. Dergelijke chemicaliën kunnen het oppervlak van de plaat beschadigen.
- Veeg over het oppervlak van de grammofonplaat met de platenreiniger in een ronde beweging in de richting van de groeven.



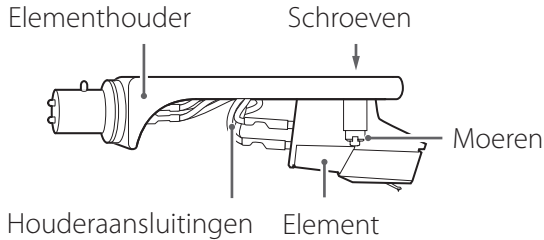
Voorzorgsmaatregelen

- Bewaar grammofonplaten niet op plaatsen die blootstaan aan direct zonlicht of die uitzonderlijk heet of vochtig zijn. Als een grammofonplaat aan dergelijke condities wordt blootgesteld kan deze vervormen of op een andere manier schade oplopen.
- Grammofonplaten niet op elkaar stapelen of onder zware objecten plaatsen. Grammofonplaten niet voor langere tijd schuin bewaren. Hierdoor kan vervorming of andere schade ontstaan.
- Zorg dat de groeven niet in direct contact komen met harde objecten. Hierdoor kunnen krassen ontstaan.
- Bewaar een grammofonplaat na afspelen altijd in de hoes. Een onbeschermde grammofonplaat kan vervormen of er kunnen krassen op komen.
- Gebruik geen platen met krassen.

Het element verwisselen

Verwijder voor het verwisselen van het element eerst de elementhouder van de draaitafelarm.

- We adviseren om de naaldbescherming op de naald te laten terwijl u het element verwisselt.

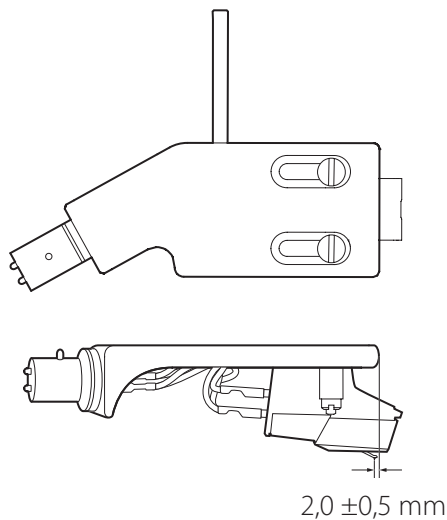


1 Maak de aansluitingen van de elementhouder los van het element.

2 Maak de schroeven los en verwijder het element.

3 Maak het nieuwe element vast en draai de schroeven aan.

Zie de onderstaande illustratie voor de positie van de schroeven als deze worden bevestigd.



4 Sluit de aansluitingen van de elementhouder aan op het element.

- De signalen en kleuren van de elementaansluitingen worden hieronder weergegeven.

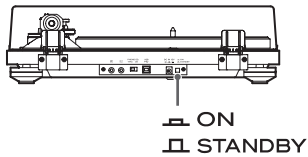
Signaal	Kleur
Linker kanaal +	Wit
Linker kanaal -	Blauw
Rechter kanaal +	Rood
Rechter kanaal -	Groen

5 Balanceer de draaitafelarm en pas de naalddruk aan.

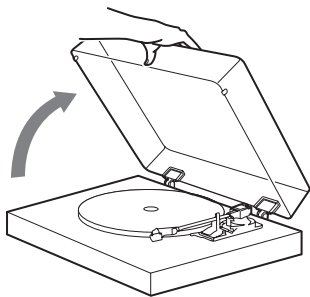
Volg de aanwijzingen in volgende aanwijzingen in "De draaitafelarm balanceren en de naalddruk aanpassen" op pagina 88.

Grammofoonplaten afspelen

- 1 Druk op de toets STANDBY/ON aan de achterkant van het apparaat om het in te schakelen.**



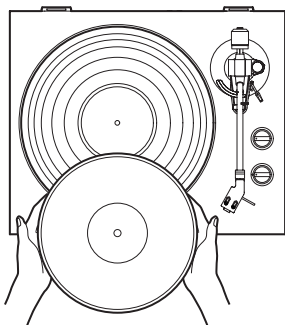
- 2 Open de draaitafelkap langzaam.**



- ⚠ Voorkom dat uw hand klem komt te zitten, bijvoorbeeld bij het openen en sluiten van de draaitafelkap.**

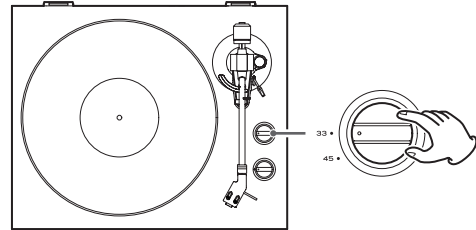
- 3 Plaats een grammofoonplaat op de draaitafel.**

Gebruik bij het afspelen van een 45-toeren-single met een groot middengat de meegeleverde adapter.

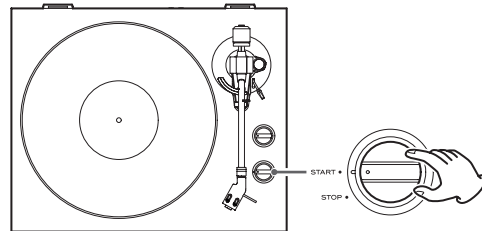


- 4 Stel het juiste toerental (RPM) voor de grammofoonplaat in.**

Het toerental kan worden ingesteld op 33 1/3 of 45 RPM (omwentelingen per minuut).

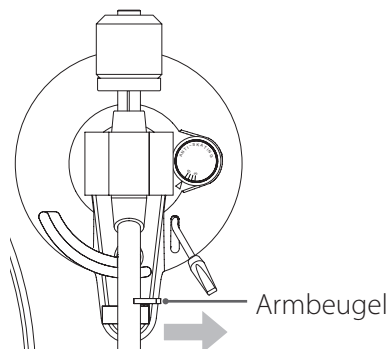


- 5 Draai de draaiknop START/STOP naar START om de draaitafel te starten.**



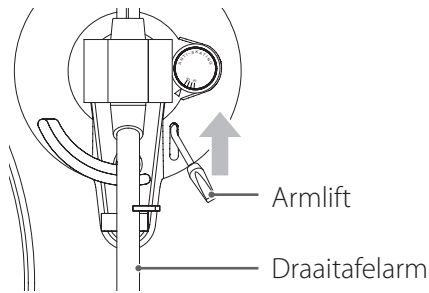
- Als de draaiknop START/STOP naar START wordt gedraaid begint de draaitafel te draaien en de blauwe LED gaat branden.

- 6 Beweeg de armbeugel voorzichtig naar rechts om de draaitafelarm vrij te maken.**



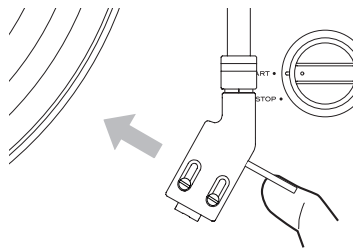
Basisbediening (vervolg)

7 Breng de armlift omhoog.



- De armlift kan ook omlaag blijven, waarbij de draaitafelarm handmatig boven de grammofoonplaat kan worden gebracht.

8 Breng de draaitafelarm naar de rand van de grammofoonplaat of naar de track vanaf waar u met afspelen wilt starten.



9 Breng de armlift omlaag.

Breng de draaitafelarm langzaam omlaag tot de naald op de plaat terecht komt en het afspelen begint.

- Wij adviseren om tijdens het afspelen van grammofoonplaten de draaitafelkap te sluiten om stofvorming te vermijden.

⚠ Plaats geen objecten op de draaitafelkap. Objecten op de kap kunnen storing veroorzaken als gevolg van trillingen of ze kunnen van de kap vallen, vooral tijdens afspelen.

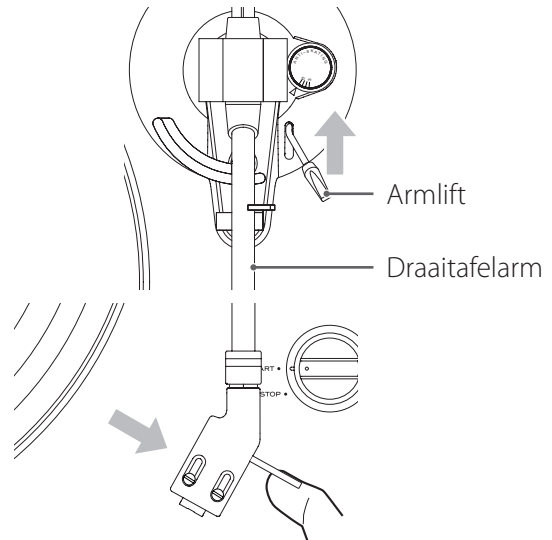
LET OP

- Raak tijdens afspelen de draaitafelarm of de draaiende grammofoonplaat niet aan.
- Stop het draaien van de draaitafel niet tijdens afspelen.

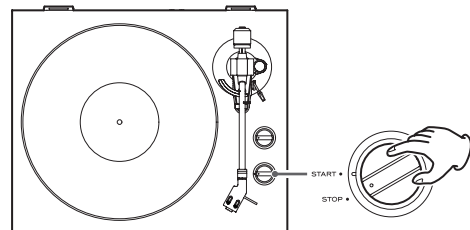
Als het geluidsvolume te hoog is, kan tijdens het afspelen van een grammofoonplaat feedback optreden. Als dit gebeurt, verlaag dan het volume van de versterker.

Als het afspelen is voltooid

1 Breng de armlift omhoog of til de elementhouder aan de haak op en breng de draaitafelarm naar de rustpositie.



2 Draai de draaiknop START/STOP naar STOP om de draaitafel te stoppen.



- Als de draaitafel stopt gaat de blauwe LED uit.

Opnemen met een computer

Sluit deze draaitafelarm aan op een computer om met behulp van de meegeleverde USB-kabel audiosignalen te converteren van een grammofoonplaat naar digitale data en naar een computer te verzenden.

Ondersteunde besturingssystemen

Computers met de volgende besturingssystemen kunnen via USB op dit apparaat worden aangesloten.

Windows

- Windows 7 (32-bit, 64-bit)
- Windows 8 (32-bit, 64-bit)
- Windows 8.1 (32-bit, 64-bit)
(vanaf september 2014)

Mac OS X

- OS X Lion 10.7
- OS X Mountain Lion 10.8
- OS X Mavericks 10.9
(vanaf september 2014)

Als u niet een van de bovenstaande besturingssystemen gebruikt, is de werking niet gegarandeerd.

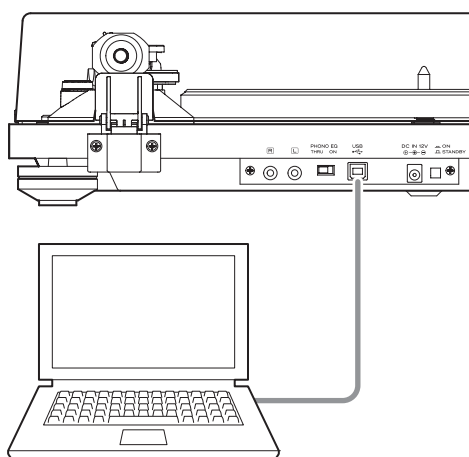
- Dit apparaat werkt met het standaard OS-stuurprogramma, dus er hoeft geen speciaal stuurprogramma te worden geïnstalleerd.

Aansluiten op een computer

1 Schakel de computer in.

Controleer of het besturingssysteem correct werkt.

2 Sluit de computer en dit apparaat op elkaar aan met de USB-kabel.



3 Druk op de toets **STANDBY/ON** van dit apparaat om het in te schakelen.

Als de verbinding tot stand is gebracht, detecteert de computer automatisch de USB-poort van dit apparaat en wordt deze geïdentificeerd als "USB Audio CODEC".

- Om audio van deze draaitafel met een computer te kunnen opnemen moet u eerst software installeren waarmee audio op de computer kan worden opgenomen. U kunt de audio-opnamesoftware van uw eigen keus afzonderlijk kopen of gratis software zoals Audacity (<http://audacity.sourceforge.net/>) van internet downloaden. Audacity is gratis software die niet wordt ondersteund door TEAC.
- Vermijd het volgende als er verbinding is met een computer via USB en er audio wordt opgenomen. Hierdoor kan de computer onjuist gaan functioneren. Sluit de opnamesoftware op de computer altijd af, alvorens de volgende handelingen te verrichten.
 - De USB-kabel losmaken
 - Schakel het apparaat op standby

Computerinstellingen

Het volgende voorbeeld behandelt de instellingen die moeten worden gemaakt met behulp van Windows 7.

1 Selecteer **Configuratiescherm** in het menu **"Start"**.

2 Klik op **"Geluid"**.

3 Klik op het tabblad **"Opnemen"** en controleer of **"USB Audio CODEC"** is ingesteld als **"Standaardapparaat"**.

4 Selecteer **"Microphone USB Audio CODEC"** en klik op de toets **"Eigenschappen"**.

5 Klik op het tabblad **"Geavanceerd"**.

6 Selecteer in het vervolgkeuzemenu **"Standaard indeling"** **"16 bit, 48000 Hz (DVD-kwaliteit)"**.

7 Klik op **"OK"**.

Problemen oplossen

Als u een probleem met dit apparaat ervaart, controleer dan eerst de volgende onderdelen alvorens service aan te vragen. Er kan ook een andere oorzaak voor het probleem zijn dan dit apparaat. Controleer ook of de aangesloten apparaten op de juiste manier worden gebruikt. Als er nog steeds niet correct werkt, neem dan contact op met de leverancier waar u het apparaat heeft gekocht.

Geen stroom.

- ➔ Controleer of de netadapter in het stopcontact is gestoken. Druk vervolgens op de toets STANDBY/ON om het apparaat in te schakelen (pagina 90).

Er wordt geen geluid voortgebracht.

- ➔ Zet bij aansluiten van de analoge audio-uitgangen van dit apparaat op de analoge audioingangen van een versterker of andere apparatuur de schakelaar PHONO EQ (instelling audioingang) op ON (pagina 90).

Afspelen is niet mogelijk; er is ruis te horen.

- ➔ Controleer of het witte plastic kapje van de naald is verwijderd.
- ➔ Reinig de naald (pagina 89).
- ➔ Als de naald is versleten, vervang deze dan (pagina 89).
- ➔ Plaats dit apparaat zover mogelijk van TV's, magnetrons en andere apparatuur die elektromagnetische golven uitzendt.

De toonhoogte is niet correct.

- ➔ Stel het toerental (RPM) in zoals op de grammofoonplaat aangegeven (pagina 95).

Het geluid hapert.

- ➔ Trillingen kunnen haperingen veroorzaken. Plaats dit apparaat op een stabiele locatie.
- ➔ Als de plaat verontreinigd is, veeg deze dan schoon.
- ➔ Gebruik geen grammofoonplaten met krassen.
- ➔ Balanceer de draaitafelarm en pas de naalddruk opnieuw aan (pagina 88).

Als de naalddruk lager is dan voor het element aanbevolen, kan het geluid sneller gaan haperen.

Specificaties

Draaitafel

Aandrijving	Snaaraandrijving
Motor	Gelijkstroommotor
Toerental	33 1/3 rpm, 45 rpm
Toerental variatie	±2 %
Wow en flutter	0,2 %
Signaal/ruisverhouding	.67 dB of hoger (A-gewogen, 20 kHz LPF)
Draaitafel	Gegoten aluminium 30 cm diameter

Draaitafelarm

Type arm	Rechte draaitafelarm met statische balans
Effectieve armlengte	223 mm
Variatiebereik naaldruk	0–5 g
Toegestaan gewicht element	3,5–6,5 g

Element

Type	MM
Uitgangsvoltage	2,5 mV ±3 dB
Naaldruk	2,0 ±0,5 g
Gewicht element	5,7 ±0,5 g
Inclusief gewicht elementhouder	10 g (inclusief schroeven, moeren en bedrading)

Uitgangsvoltage

PHONO EQ THRU	2,5 mV ±3 dB
PHONO EQ ON	155 mV (–16 dBV)
Uitgangen	RCA

USB-poort

USB-poort die voeding kan ontvangen van computer USB-poorten (volledige snelheid)

USB-aansluiting type B

Ondersteuning USB-voeding 5 V, 500 mA

- Sluit het apparaat met de meegeleverde USB-kabel aan op een computer om hierdoor voeding te ontvangen.

Algemeen

Vermogen netadapter	
Ingang	AC 100–240 V, 50–60 Hz
Uitgang	12 V, 500 mA
Opgenomen vermogen	
Standby	0,5 W of minder
On (START)	1,5 W of minder
Gewicht	4,9 kg
Temperatuurbereik voor gebruik	.5 °C tot 35 °C
Afmetingen (B × H × D, inclusief uitstekende delen)	420 × 356 × 117 mm

- Prestatiegegevens zijn gespecificeerd bij 20 °C.

Meegeleverde accessoires

Rubber mat	× 1
45 RPM adapter	× 1
Contragewicht	× 1
Elementhouder	× 1
AT95E MM element (gefabricerd door Audio-Technica)	voorgeïnstalleerd
Draaitafel	× 1
Draaitafelkap	× 1
Rubber voeten voor draaitafelkap	× 2
Scharnieren	× 2
Audiokabel	× 1
USB-kabel	× 1
Netadapter (GPE053A-120050-Z)	× 1
Gebruikershandleiding (dit document)	× 1
Garantiekaart	× 1 (alleen voor klanten in Verenigde Staten en Canada)

- Specificaties en uiterlijk kunnen worden gewijzigd zonder voorafgaande kennisgeving.
- Gewicht en afmetingen zijn benaderingen.
- Afbeeldingen in deze gebruikershandleiding kunnen enigszins afwijken van de productiemodellen.

VIKTIGA SÄKERHETSINSTRUKTIONER

- Utsätt inte denna apparat för dropp eller stänk.
- Ställ inga föremål som innehåller vätska, t.ex. vaser, på apparaten.
- Installera inte apparaten i ett slutet utrymme såsom en bokhylla eller liknande.
- Apparaten drar nominella icke-operativ ström från vägguttaget med dess STRÖM eller STANDBY/ON-knappen inte i ON-läge.
- Apparaten ska placeras tillräckligt nära vägguttaget så att du lätt kan nå nätsladden när som helst.
- Nätkontakten används som frånkopplingsenhet och frånkopplingsenheten ska vara driftsduglig.
- Försiktighet bör iaktas vid användning av öronsnäckor eller hörlurar med produkten eftersom överdrivet ljudtryck (volym) från öronsnäckor eller hörlurar kan orsaka hörselskador.

FÖRSÄKRAN OM ÖVERENSSTÄMMELSE

Vi, TEAC AUDIO EUROPE, Liegnitzer Straße 6, 82194 Gröbenzell, Tyskland, försäkrar på vårt eget ansvar, att TEAC-produkten som beskrivs i denna manual överensstämmer med motsvarande tekniska standard.




FÖRSIKTIGHET


Ändringar eller modifieringar av denna utrustning som inte uttryckligen godkänds av TEAC CORPORATION för samtycke kommer att göra användarens garanti ogiltig.

For kunder i Europa

Kassering av elektrisk och elektronisk utrustning

- Alla elektriska och elektroniska produkter bör kasseras separat från hushållsavfall, helst via insamlingsanläggningar som bestäms av regeringen eller lokala myndigheter.
- Genom att avyttra elektrisk och elektronisk utrustning på rätt sätt, kommer du att spara värdefulla resurser och förhindrar eventuella negativa effekter på människors hälsa och på miljön.
- Felaktig kassering av avfall från elektriska och elektroniska produkter kan få allvarliga effekter på miljön och människors hälsa. Detta på grund av förekomsten av farliga ämnen i utrustningen.
- Symbolen för elektriskt och elektroniskt avfall (WEEE), som visar en soptunna som har kryssats över, indikerar att elektrisk och elektronisk utrustning måste samlas in och kasseras separat från hushållsavfallet. 
- Återlämnings- och insamlingsystem finns tillgängliga för slutanvändare. För mer detaljerad information om avfallshandling av gammal elektrisk och elektronisk utrustning, var god kontakta din kommun, renhållningsverket eller den butik där du köpte utrustningen.

Avfallshandling av batterier och/eller ackumulatorer

- Förbrukade batterier och/eller ackumulatorer bör kasseras separat från hushållsavfall, helst via insamlingsanläggningar som bestäms av regeringen eller lokala myndigheter.
- Genom att kassera förbrukade batterier och/eller ackumulatorer på rätt sätt hjälper du till att spara värdefulla resurser och förhindrar eventuella negativa effekter på människors hälsa och på miljön.
- Felaktig avfallshandling av förbrukade batterier och/eller ackumulatorer kan få allvarliga effekter på miljön och människors hälsa på grund av förekomsten av farliga ämnen i dem.
- WEEE symbolen, som visar en soptunna som har kryssats över, visar att batterier och/eller ackumulatorer måste samlas in och kasseras separat från hushållsavfallet. 
Pb, Hg, Cd
Om ett batteri eller ackumulatören innehåller mer än de specificerade värdena av bly (Pb), kvicksilver (Hg) och/eller kadmium (Cd) enligt definitionen i batteridirektivet (2006/66/EC), kommer de kemiska symbolerna för dessa element visas under WEEE symbolen.
- Återlämnings- och insamlingsystem finns tillgängliga för slutanvändare. För mer detaljerad information om avfallshandling av förbrukade batterier och/eller ackumulatorer, kontakta din kommun, renhållningsverket eller den butik där du köpte dem.

Innehåll

Tack för att du har valt TEAC. Läs noggrant denna bruksanvisning, för att få ut enhetens bästa prestanda.

VIKTIGA SÄKERHETSINSTRUKTIONER	100
Före användning	101
Förbereda skivspelaren	103
Anmärkning om skivstylusar	105
Anslutningar	106
Namn/funktion på enhetens delar	107
Skivspelarens skydd	108
Hantera skivor	109
Byta patron	110
Grundläggande användning	111
Spela in med datorn	113
Felsökning	114
Specifikationer	115

Före användning

Medföljande delar

Kontrollera lådan för att vara säker på att den innehåller all medföljande tillbehör nedan. Kontakta butiken där du köpte enheten om något av dessa tillbehör saknas eller har skadats under transporten.

- Gummimatta × 1
- 45 RPM-adapter × 1
- Motvikt × 1
- Headshell × 1
 - Förinstallerad AT95E MM-patron (tillverkad av Audio-Technica)
- Skivspelare × 1
- Skivspelarskydd × 1
- Gummifot för skivspelarens lock × 2
- Gångjärn × 2
- Ljudkabel × 1
- USB-kabel × 1
- Nätadapter (GPE053A-120050-Z) × 1
- Bruksanvisning (detta dokument) × 1
 - Förvara bruksanvisningen på ett säkert ställe för framtida referens.
- Garantisedel × 1 (endast för kunder i USA och Kanada)
 - Se baksidan av detta dokument för information om garantin i Europa och andra länder eller områden.

Försiktighetsåtgärder för användning

- Placera inget på skivspelarens skydd. Föremål på skyddet skulle kunna orsaka buller på grund av vibrationer eller falla ner, framför allt vid uppspelning.
- Undvik att placera enheten i direkt solljus, nära till värmekällor eller i liknande förhållanden. Placera inte enheten på en förstärkare eller annan utrustning som kan generera värme som överskrider driftstemperaturnivån av denna enhet. Om du gör så, kan det komma till missfärgningar, deformationer och fel funktion.
- Eftersom enheten kan bli varm vid bruk, låt det alltid vara tillräckligt plats runt den, så att den kan ventileras. När du installerar den här enheten, lämna lite utrymme (minst 20 cm) mellan enheten och andra enheter och väggar för att möjliggöra god värmeavledning.
När du placerar den i en hylla, lämna till exempel minst 35 cm öppet ovanför och 10 cm öppet bakom. Underlåtenhet att tillhandahålla dessa luckor kan orsaka att värme alstras inuti och orsaka brand.
- **FLYTTA INTE ENHETEN UNDER UPPSPELNINGEN.** Skivan roterar medan uppspelning. Lyft eller flytta inte enheten under uppspelningen. Detta skadar väldigt mycket grammofonskivan, stylusen, patronen eller enheten.
- Innan du omplaceras eller flyttar på enheten, skall du alltid ta ut skivan. Om du flyttar enheten med en grammofonskiva på skivspelaren, skulle grammofonskivan, stylusen eller patronen kunna skadas och orsaka felfunktion.
- Spänningen som försörjer enheten skall matcha spänningen som står på den bakre panelen. Om du tvivlar angående detta, kontakta en elektriker.

Underhåll

Om enhetens yta blir smutsig, torka av den med en mjuk trasa eller använd utspädd och mild, flytande tvål. Låt enhetens yta torka helt innan du använder enheten.

- Använd inte kemiska rengöringsstrasor, förtunnare eller liknande ämnen, eftersom de kan skada enhetens yta.

FÖRSIKTIGHET

För säkerhets skull dra ut nätsladden ur vägguttaget före rengöring.

Förbereda skivspelaren

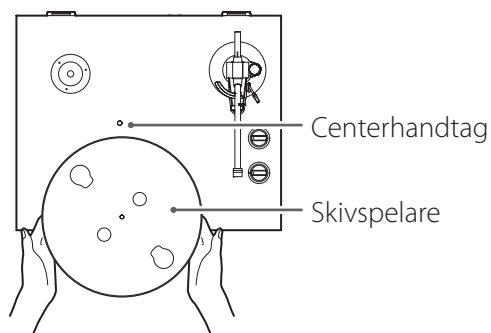
Håll enheten i vänteläge medan du konfigurerar (E på sidorna 106 och 107).

1 Placera den på en flat yta.

Eftersom höjden på enheten fötter inte kan justeras, kontrollera att du placerar den på en flat yta.

2 Installera skivspelaren.

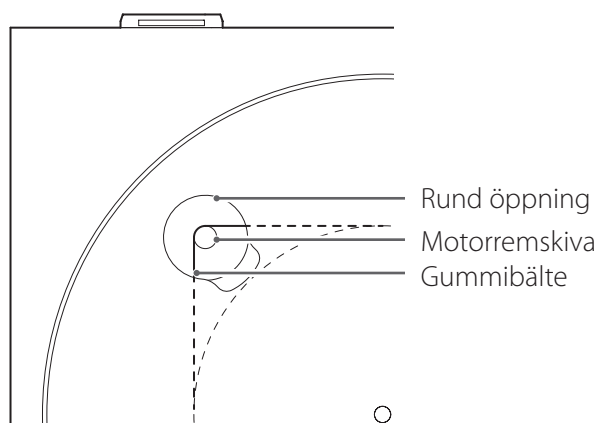
Justera skivspelaren till mellanhandtaget och installera den.



3 Linda bältet runt motorremskivan.

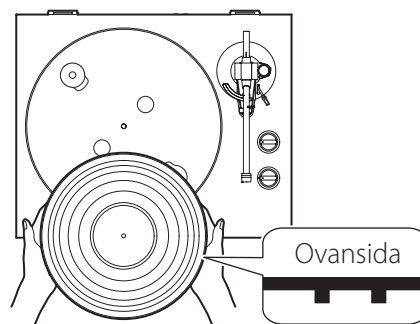
Använd ett finger för att dra gummibältet så att den är lindad runt subdisken genom den runda öppningen och linda den runt motorremskivan.

- Var försiktig att gummit inte vrids.
- Vrid med skivspelaren flera gånger för att kontrollera att den är säkrad.



4 Placera gummimattan.

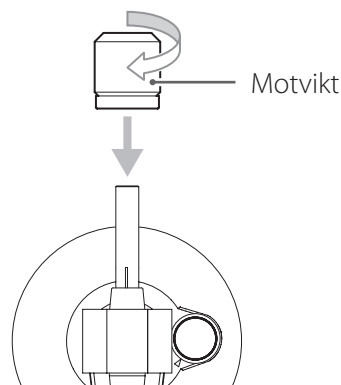
Placera den skyddande gummimattan som medföljer skivspelaren före användning.



- Gummimattan har en övre sida och en nedre sida. Som det visas på bilden, sidan med den räfflade koncentriska cirkeln skall placeras nedåt.

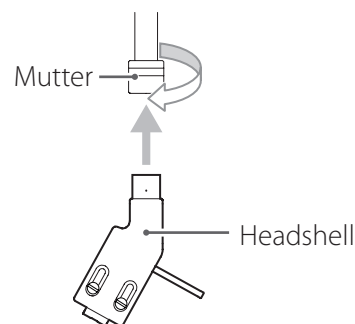
5 Installera motvikten.

Placera motvikten över kanten av tonarmen och vrid den medurs för att dra åt den.



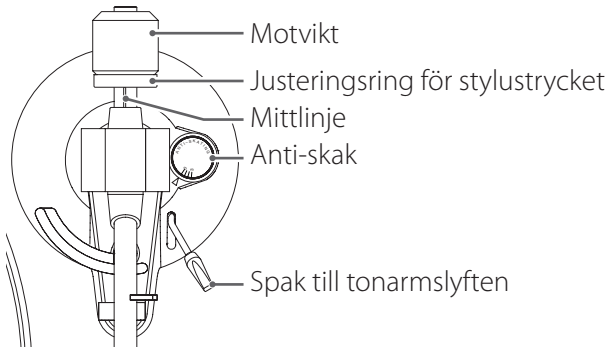
6 Installera headshellen.

Placera headshellen på änden av tonarmen och vrid med muttern för att säkra den på plats.



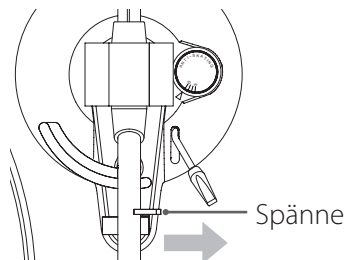
Förbereda skivspelaren (fortsättning)

Balansera ut tonarmen och justera stylusstrycket



1 Ställ in anti-skak-ratten till noll.

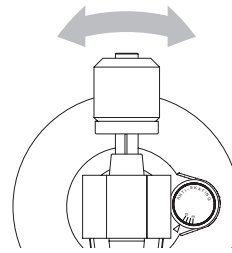
2 Flytta tonarmens spänne till höger för att lossna tonarmen.



3 Lyft tonarmen och sätt den lite till vänster.

4 Sänk tonarmen.

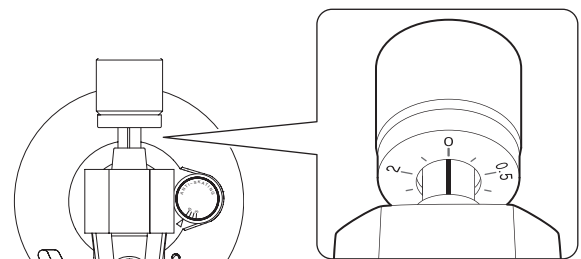
5 Vrid med motvikten och justerade den att tonarmen är vågrät.



- Ta bort patronstylusens skyddslock innan du justerar.
- Var försiktig att patronstylusen inte kommer i kontakt med enheten.

6 Sätt tonarmen till dess originalposition och flytta med tonarmens knäppen till vänster, för att låsa den på plats.

7 Vrid med justeringsringen för stylusstrycket, så att mittlinjen står på 0 på skalan.

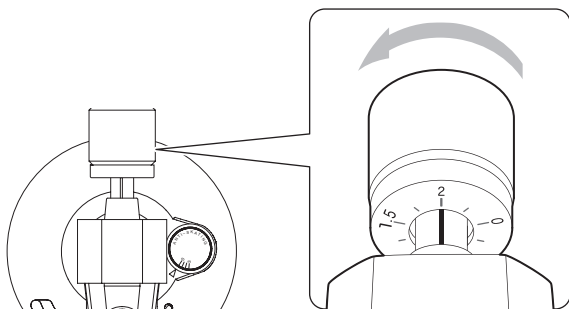


- Var försiktig att motvikten inte vrids.

Anmärkning om skivstylusar

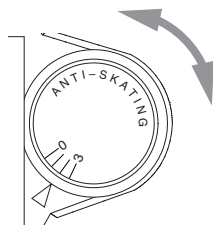
8 Vrid med motvikten, så att justeringsringens skala för stylusstrycket matchar stylusstrycket som specificeras för patronen.

- Stylusstrycket av den medföljande patronen är 2,0 g.
Vrid den till 2 på motviktsskalan, när du använder den medföljande patronen.



9 Justera anti-skak-ratten.

Starta med den inställd till 2 och justera medan du spelar upp skivan (sida 111) till positionen där den vänstra och högra volymen är balanserad.



- Inspelningsstylus är exakta delar, alltså skall du hantera dem försiktigt för att förhindra att deras spetsar böjs eller skadas. Om stylusen blir böjd eller skadad, kommer den att kanske inte kunna följa ljudräfflorna exakt och skulle kunna skada skivorna eller orsaka annan felfunktion.
- Om stylusen blir smutsig, använd en kommersiellt tillgänglig stylusrengörare eller liknande produkt för att rengöra den.
- Skrubba inte stylusens spets med våld med något hårt. Torka inte av stylusen med en förtunnare eller andra kemikalier. Det skulle kunna skada den.

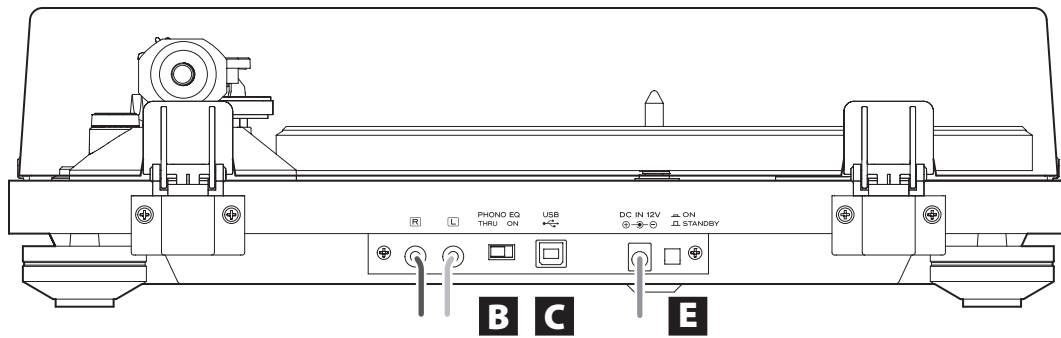
Byta ut stylusen

Den medföljande patronen är en Audio-Technica AT95E. Köp en ersättningsstylus för AT95E-patronen hos till exempel återförsäljaren där du köpte denna enhet. Följ anvisningarna för byte i manualen för ersättningsstylus.

FÖRSIKTIGHET

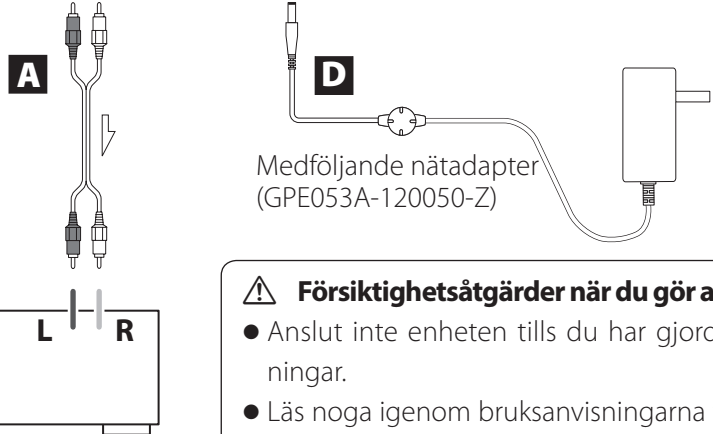
- Tryck på STANDBY/ON-knappen för att ställa enheten i vänteläge.
- Var försiktig att du inte skadar din hand eller utrustningen.
- Tillåt inte att små barn utav olyckshändelse sväljer små stylusar.

Anslutningar



När PHONO EQ är ON
Anslut ljudingångsjacken till förstärkaren o.s.v.

När PHONO EQ är THRU
Anslut PHONO-ingångar till förstärkaren o.s.v.

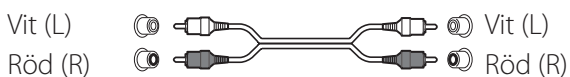


⚠️ Försiktighetsåtgärder när du gör anslutningar

- Anslut inte enheten tills du har gjort alla anslutningar.
- Läs noga igenom bruksanvisningarna för de enheter som du ansluter och följ deras instruktioner när du gör anslutningar.

A Analoga ljudutgångskontakter (L/R)

Dessa matar ut analoga ljudsignaler. Inställningen för PHONO EQ-brytare ändrar typen av utmatningssignalen. Använd den medföljande ljudkabel (eller kommersiellt tillgängliga kablar) för att ansluta den andra utrustningen till utgångsjacken på denna enhet.



B PHONO EQ-brytare (inställning för ljudutmatning)

ON

Signaler som har förstärkts av den inbyggda frekvenskorrigeringen matas ut från det analoga ljudutgångsjacket (L/R).

THRU

MM-patronsignalen matas ut direkt genom det analoga ljudutgångsjacket (L/R). Använd denna när du ansluter utrustning som har PHONO-ingångar.

- Vid leverans från fabriken, är detta inställt på ON.

FÖRSIKTIGHET

När inställd på ON, om du ansluter PHONO-ingången till till exempel en förstärkare, kommer utmatningen från högtalarna och hörlurarna vara väldigt hög. Det skulle kunna skada utrustningen eller din hörsel.

C USB-port (USB B-typ)

Anslut denna till USB-porter på datorn för att konvertera ljudsignalen från denna enhet till digital och mata den till datorn (sida 113).

D DC-ingångskontakt

Efter att du har slutfört alla andra anslutningar, anslut den medföljande nätadaptern (GPE053A-120050-Z) till detta jack.

Bekräfta att strömkontakten av nätadaptern är ansluten till strömuttaget.

- Koppla från nätsladden från uttaget om du inte skall använda enheten över en längre tidsperiod.
- Använd inte en annan nätadapter än den som medföljde (GPE053A-120050-Z).

⚠ Var noga med att ansluta nätsladden till ett eluttag som levererar rätt spänning.

Anslutning till ett uttag som levererar fel spänning skulle kunna orsaka brand eller elektrisk chock.

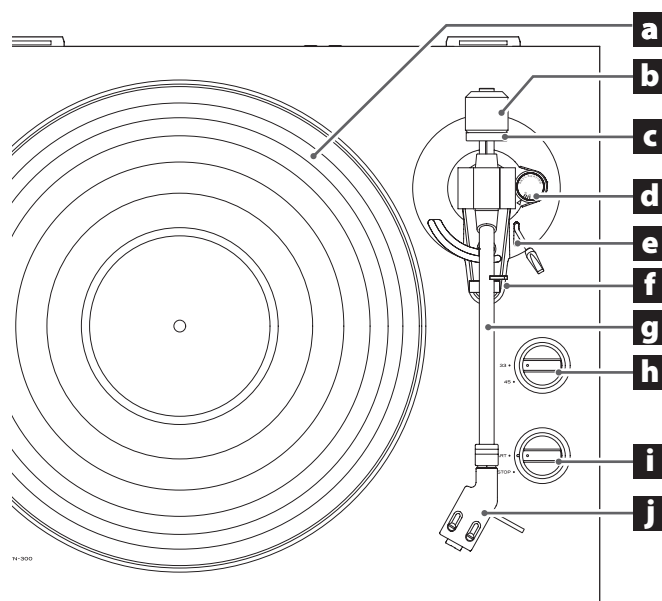
Håll stickkontakten när du ansluter den till ett eluttag eller drar ut den. Dra eller ryck aldrig i nätsladden.

Koppla från nätsladden från uttaget om du inte skall använda enheten över en längre tidsperiod.

E STANDBY/ON-knapp

Tryck på STANDBY/ON-knappen för att sätta på enheten eller sätta den i vänteläget.

Namn/funktion på enhetens delar



a Skivspelare

Lägg en skiva i mitten på skivspelaren.

b Motvikt

c Justeringsring för stylusstrycket

d Anti-skak-ratt

e Spak till tonarmslyften

Använd denna spak för att lyfta tonarmen och sänka den till skivan.

f Tonarmhållare

Detta är vilopositionen för tonarmen. Tryck mjukt spännet till höger för att lossna tonarmen innan du spelar upp skivan.

g Tonarm

h Ratt för inställning av rotations-hastighet

Ställ in rotationshastigheten (RPM), så att den passar skivan.

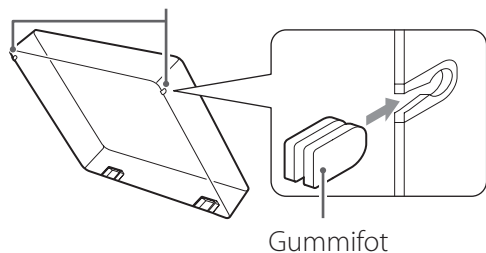
i START/STOP-ratt för skivspelarens rotation

j Headshell

Skivspelarens skydd

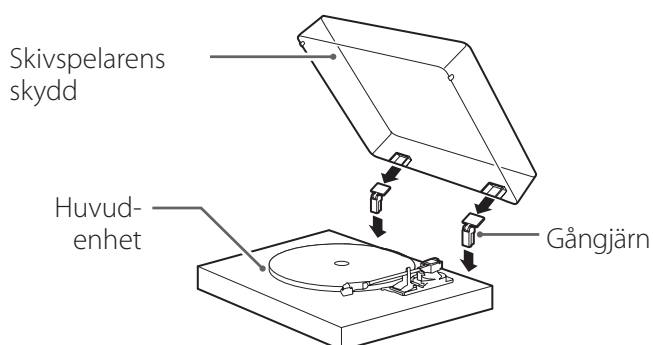
Montera gummifoten

Monteringspunkter för gummifoten



Montera gummifoten på vänster och höger sida av skivspelarens lock som det visas i bilden.

Sätta på skivspelarens skydd



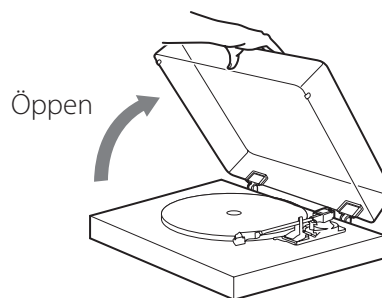
1 Sätt gångjärn komplett i gångjärnhållarna på vänster och höger slut av huvudenhetens baksida.

2 Rätta upp toppen av gångjärn med skivspelarens gångjärnhållare och sätt in dem.

Ta bort skivspelarens skydd

Håll båda kanter av skivspelarens skydd och lyft den sakta för att ta bort den tillsammans med gångjärn från enheten. Sedan ta bort gångjärn från skivspelarens skydd.

Öppna och stänga skivspelarens skydd



Öppna

Håll framkanten av skivspelarens skydd och lyft den försiktigt för att öppna den helt tills den stoppas. Skivspelarens skydd kan vara öppet i denna position.

Stänga

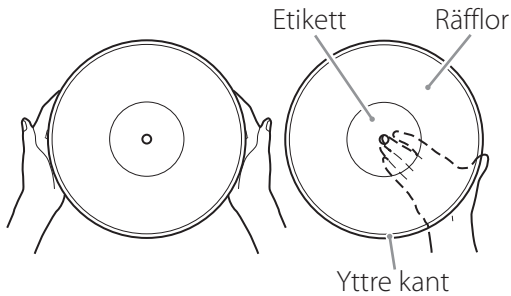
Sänk mjukt skivspelarens skydd tills den stängs.

⚠ var försiktig att du inte klämmer din hand när du t ex öppnar och stänger skivspelarens skydd.

Hantera skivor

Hålla skivor

När du håller en skiva eller tar ut den från sitt omslag, undvik att röra räfflorna genom att hålla skivan vid dess etikett och kanten med en hand eller genom att hålla den vid dess kant med båda händer.



Rengöring

- Fingeravtryck eller damm på en skiva kan orsaka buller och ljudet kan hoppa samt kan skivan skadas och även stylusen. Använd en kommersiellt tillgänglig skivrenörare för att rengöra skivor. Använd inte en förtunnare eller något annat än en skivrenörare. Sådana kemikalier kan skada skivans yta.
- Om du använder en skivrenörare, torka av skivan yta i kretsrelse, genom att följa räfflorna.



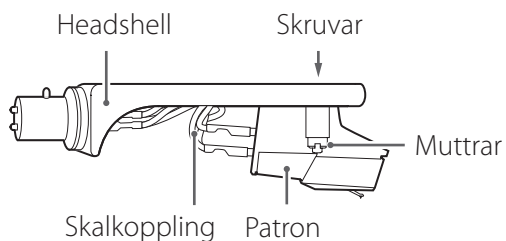
Försiktighetsåtgärder

- Lämna inte skivorna på platser där de utsätts för direkt solljus eller på väldigt varma och fuktiga platser. Om du lämnar en skiva under sådana omständigheter under en längre tid, kan det orsaka att den blir skev eller andra skador.
- Lägg inte flera skivor på varandra eller placera inte tunga objekt på dem. Lämna inte heller skivor i ett hörn för en längre tidsperiod. De skulle kunna bli skeva eller skadade på ett annat sätt.
- Låt inte hårda objekt direkt röra vid ljudräfflorna. Det skulle kunna orsaka repor.
- När du har spelat klart en skiva, placera den alltid tillbaka i sitt omslag för lagring. Om du lämnar skivor oskyddade, kan de bli skeva eller repiga.
- Använd inte spruckna skivor.

Byta patron

För att byta patron, ta först bort headshellen från tonarmen.

- Vi rekommenderar att du låter patronnålens skyddslock vara på, medan du byter patronen.

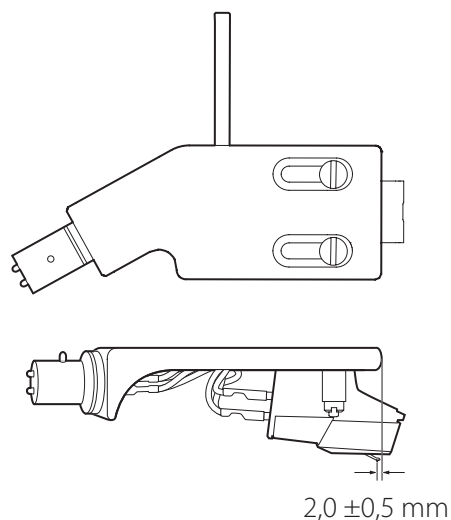


1 Koppla från skalkopplingens terminal från patronen.

2 Lossna skruvar och ta bort patronen.

3 Sätt in ny patron och dra åt skruvarna.

Se bilderna nedan, vilken position skruvarna skall ha när de är monterade.



4 Anslut skalkopplingens styrterminal till patronen.

- Signalen och färgen på skalkopplingen visas nedan.

Signal	Färg
Vänster kanal +	Vit
Vänster kanal -	Blå
Höger kanal +	Röd
Höger kanal -	Grön

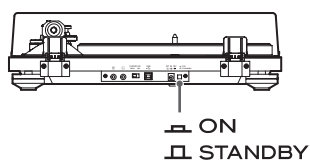
5 Balansera ut tonarmen och justera stylstrycket.

Följ anvisningarna i "Balansera ut tonarmen och justera stylstrycket" på sidan 104.

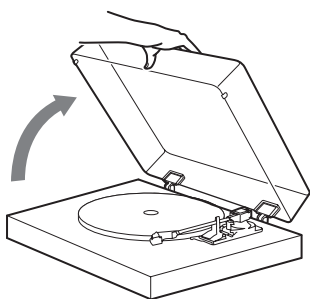
Grundläggande användning

Spela upp skivor

- 1 Tryck på STANDBY/ON-knappen på baksidan av enheten för att sätta på den.**



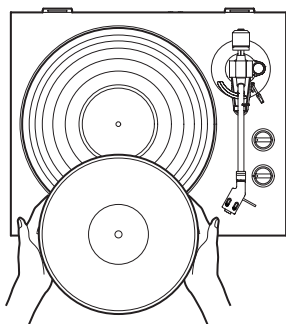
- 2 Öppna försiktigt skivspelarens skydd.**



- ⚠ Var försiktig att du inte klämmer din hand när du t ex öppnar och stänger skivspelarens skydd.**

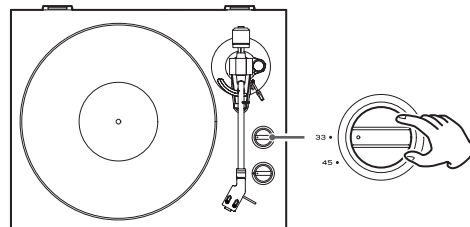
- 3 Lägg en skiva på skivspelaren.**

När du spelar 45 RPM enskilda skivor med stora hål, använd den medföljande adaptern.

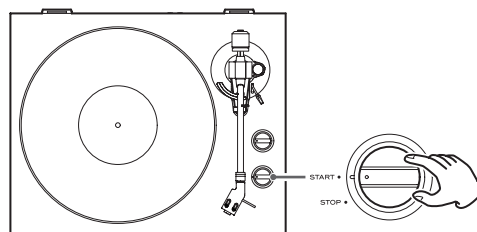


- 4 Ställ in enligt skivans rotationshastighet (RPM).**

Rotationshastigheten kan ställas in på 33 1/3 eller 45 RPM.

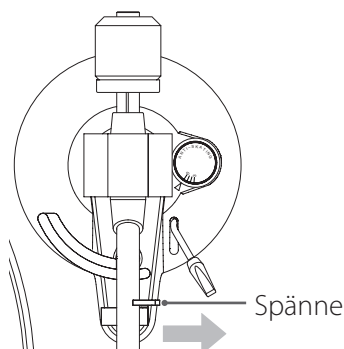


- 5 Vrid med START/STOP-ratten till START för att starta skivspelaren.**



- När START/STOP-ratten är inställd på START, kommer skivspelaren att börja rotera och den blå LED-lampen kommer att lysa.

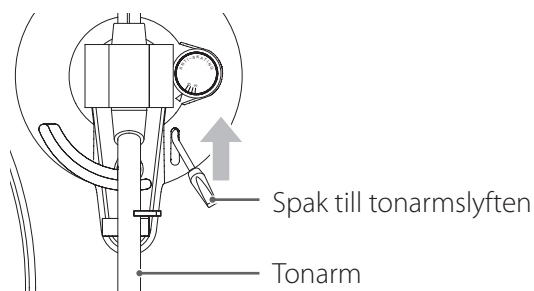
- 6 Flytta tonarmens spänne till höger för att lossna tonarmen.**



Fortsättning på nästa sida →

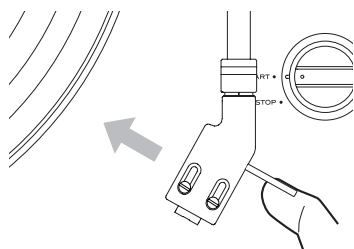
Grundläggande drift (fortsättning)

7 Lyft tonarmen.



- Du kan också låta spaken vara nere och flytta den höjda tonarmen över skivan och sedan sänka tonarmen mjukt för att starta uppspelningen.

8 Flytta tonarmen till skivans kant eller spåret där du vill starta uppspelningen.



9 Sänk tonarmen.

Sänk tonarmen långsamt till stylusen rör vid skivan och uppspelningen börjar.

- Vi rekommenderar att du stänger locket till skivspelaren medan du spelar upp skivan för att undvika damm.

⚠ Placera inget på skivspelarens skydd. Föremål på skyddet skulle kunna orsaka buller på grund av vibrationer eller falla ner, framför allt vid uppspelning.

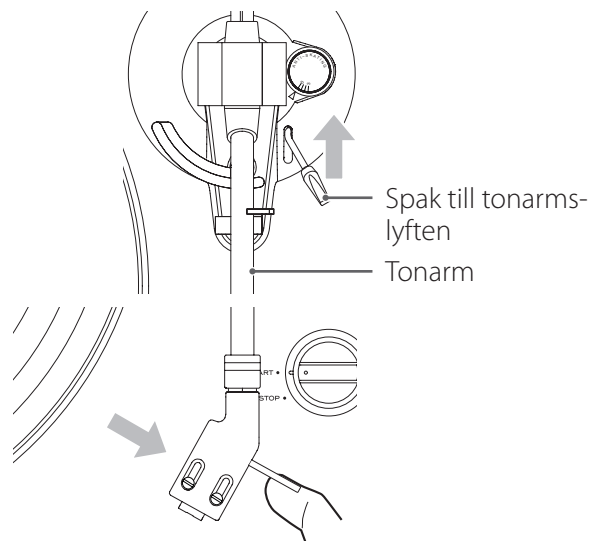
FÖRSIKTIGHET

- Medan uppspelning, rör inte vid tonarmen eller den roterande skivan.
- Stoppa inte skivspelarens rotation medan uppspelning.

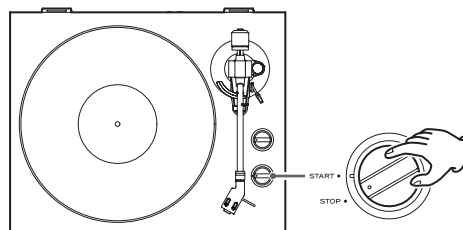
Medan skivan spelas upp, kan det komma till återkoppling, om volymen är för hög. Om detta händer, sänk förstärkarens volymen.

När uppspelningen avslutas

1 Lyft lätt tonarmen eller headshell-kroken och sätt tillbaka tonarmen till dess viloposition.



2 Vrid med START/STOP-ratten till STOP för att stoppa skivspelaren.



- När skivspelaren stoppar, kommer den blåa LED-lampan sluta lysa.

Spela in med datorn

Anslut skivspelaren till en dator med den medföljande USB-kabeln för att konvertera ljudsignaler från skivan till digital data och skicka dem till datorn.

Operativsystem som stöds

Datorer som kör med de följande operativsystem kan anslutas med USB till denna enhet.

Windows

Windows 7 (32 bitars, 64 bitars)
Windows 8 (32 bitars, 64 bitars)
Windows 8.1 (32 bitars, 64 bitars)
(sedan september 2014)

Mac OS X

OS X Lion 10.7
OS X Mountain Lion 10.8
OS X Mavericks 10.9
(sedan september 2014)

Användning med andra operativsystem än de ovan garanteras inte.

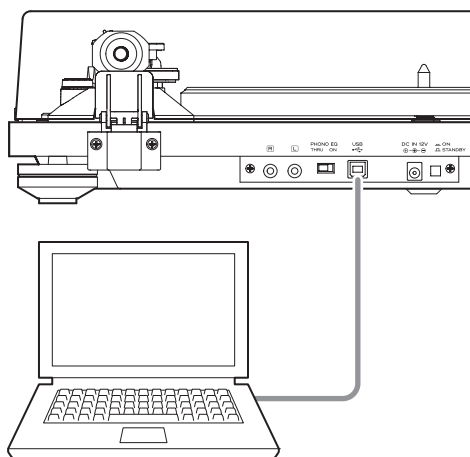
- Denna enhet kommer att köras med standard OS-drivrutin, så det finns ingen anledning att installera en speciell drivrutin.

Ansluta till datorn

1 Sätt på datorn.

Kontrollera att operativsystemet fungerar korrekt.

2 Använd USB-kabeln för att ansluta datorn till denna enhet.



3 Tryck på enhetens STANDBY/ON-knapp för att slå på den.

När de är anslutna, kommer datorn att automatiskt identifiera enhetens USB-port och identifiera den som "USB Audio CODEC".

- För att spela in ljud från skivspelaren med en dator, måste du först installera programvaran som kan användas för ljudinspelning på datorn. Du kan köpa programvaran för ljudinspelning som du föredrar separat eller ladda ned en gratis programvara som Audacity (<http://audacity.sourceforge.net/>) från Internet. Som gratis programvara, stöds Audacity inte av TEAC.
- Vid anslutning till en dator med USB och när du spelar in ljud, gör inget av det följande. Det kan få datorn att sluta fungera. Stäng alltid datorn programvara för inspelning innan du gör följande.
 - Koppla bort USB-kabeln
 - Sätt enheten i vänteläge

Datorinställningar

Följande exempel förklarar inställningar som skall göras med Windows 7.

1 Från Startmenyn, välj Kontrollpanel.

2 Klicka på "Ljud".

3 Klicka på fliken "Inspelning" och kontrollera att "USB Audio CODEC" är inställd som "Standardenhet".

4 Välj "Microphone USB Audio CODEC" och klicka på knappen "Egenskaper".

5 Klicka på fliken "Avancerad".

6 Från listmenyn "Standardformat", välj "2 kanal, 16 bit, 48 000 Hz (DVD-kvalitet)".

7 Klicka "OK".

Om du får problem med enheten, kontrollera följande innan du begär service. Något annat än denna enhet kan också orsaka problemet. Vänligen kontrollera att de anslutna apparat också används korrekt.

Om denna enhet fortfarande inte fungerar korrekt, kontakta återförsäljaren, där du köpte enheten.

Allmänt

- ➔ Bekräfta att nätadaptern är ansluten till uttaget. Tryck sedan på STANDBY/ON-knappen för att slå på enheten (sida 106).

Inget ljud.

- ➔ När du ansluter denna enhetens analoga ljudutgångsjack till ljudingångsjack på en förstärkare eller annan utrustning, ställ PHONO EQ-brytaren (inställning för ljudutmatning) till ON (sida 106).

Uppspelning är inte möjlig; det finns buller.

- ➔ Bekräfta att stylusens skydd (gjord utav vit plast) har tagits bort.
- ➔ Rengör stylusen (sida 105).
- ➔ Om stylusen är sliten, byt ut den (sida 105).
- ➔ Placera enheten så lång borta från teven, mikron och andra apparat som utstrålar elektromagnetiska vågor som det går.

Tonhöjden är fel.

- ➔ Ställ in rotationshastigheten (RPM), så att den passar skivan (sida 111).

Ljudet hoppar.

- ➔ Vibrationer kan orsaka hoppande. Placera denna enhet på en stabil plats.
- ➔ Om skivan är smutsig, torka av den rent.
- ➔ Använd inte repiga skivor.
- ➔ Balansera ut tonarmen och justera om stylustrycket (sida 104).

Om stylustrycket är lägre än värdet avsedd för patronen, kommer skivan mer sannolikt att hoppa.

Specifikationer

Skivspelare

Drivrutinsystem.....	Banddrivrutin
Motor.....	DC-motor
Rotationshastighet.....	33 1/3 rpm, 45 rpm
Variation i rotationshastighet.....	±2 %
Svaj.....	0,2 %
S/N-förhållande.....	67 dB(A, 20 kHz LPF) eller högre
Skivspelare.....	Aluminiumgjutjärn 30 cm diameter

Tonarm

Armtyper	
Statiskt balanserad tonarm med rakt rör	
Effektiv armlängd.....	223 mm
Variationsintervall av stylstrycket.....	0–5 g
Acceptabel patronvikt.....	3,5–6,5 g

Patron

Typ.....	MM
Utmatningsspänning.....	2,5 mV ±3 dB
Stylstryck.....	2,0–0,5 g
Patronvikt.....	5,7 ±0,5 g
Inkluderad headshell-vikt.....	10 g (inklusive skruvar, muttrar och kablar)

Utmatningsspänning

PHONO EQ THRU.....	2,5 mV ±3 dB
PHONO EQ ON.....	155 mV (–16 dBV)
Utgångskontakter.....	RCA

USB-port

USB-porten kan ta emot ström från datorns USB-bussar (full hastighet).....	USB-anslutning Typ B
USB-buss och strömstöd.....	5 V, 500 mA

- Använd den medföljande USB-kabeln för att ansluta enheten till en dator för att motta ström från den.

Allmänt

Ström från nätadaptern	
Ingång.....	AC 100–240 V, 50–60 Hz
Utgång.....	12 V, 500 mA
Strömförbrukning	
Viloläge.....	0,5 W eller mindre
På (START).....	1,5 W eller mindre
Vikt.....	4,9 kg
Intervall för drifttemperatur.....	5–35 °C
Mått (B × H × D, inklusive utskjutande delar)	420 × 356 × 117 mm

- Prestandadata är specificerade vid 20 °C.

Medföljande tillbehör

Gummimatta × 1
45 RPM-adapter × 1
Motvikt × 1
Headshell × 1
Förinstallerad AT95E MM-patron (tillverkad av Audio-Technica)
Skivspelare × 1
Skivspelarskydd × 1
Gummifot för skivspelarens lock × 2
Gångjärn × 2
Ljudkabel × 1
USB-kabel × 1
Nätadapter (GPE053A-120050-Z) × 1
Bruksanvisning (detta dokument) × 1
Garantisedel × 1 (endast för kunder i USA och Kanada)

- Specifikationer och utseende kan ändras utan föregående meddelande.
- Vikt och mått är ungefärlig.
- Illustrationer i denna bruksanvisning kan skilja sig något från produktionsmodellerna.

WARRANTY/GARANTIE/GARANTÍA/GARANTIE/GARANZIA/GARANTIE/GARANTI

Europe/Europa

This product is subject to the legal warranty regulations of the country of purchase. In case of a defect or a problem, please contact the dealer where you bought the product.

Ce produit est sujet aux réglementations concernant la garantie légale dans le pays d'achat. En cas de défaut ou de problème, veuillez contacter le revendeur chez qui vous avez acheté le produit.

Las condiciones de garantía de este aparato están sujetas a las disposiciones legales sobre garantía del país en el que ha sido adquirido. En caso de garantía, debe dirigirse al establecimiento donde adquirió el aparato.

Dieses Gerät unterliegt den gesetzlichen Gewährleistungsbestimmungen des Landes, in dem es erworben wurde. Bitte wenden Sie sich im Gewährleistungsfall an den Händler, bei dem sie das Gerät erworben haben.

Questo apparecchio è conforme alle norme sulla garanzia vigenti nel rispettivo Paese in cui esso è stato acquistato. Si prega di rivolgersi al proprio commerciante, presso il quale è stato acquistato l'apparecchio,

nel caso in cui si voglia richiedere una prestazione in garanzia.

Dit product valt onder de wettelijke garantieregelingen van het land waar het is aangeschaft. Neem bij een defect of probleem contact op met de leverancier waar u het product heeft gekocht.

För denna produkt gäller det lagliga garantireglingar av landet där köpet gjordes. Vid fel eller problem kontakta vänligen återförsäljaren, där du köpte produkten.

In other countries/areas

This warranty gives you specific legal rights, and you may also have other rights that vary by country, state or province.

If you have a warranty claim or request, please contact the dealer where you bought the product.

该保证书赋予了顾客特定的合法权利，并且因国家，州或省等地域的不同，顾客可能拥有其他权利。如需申请或要求保修，请与购买本产品的销售店进行联系。

TEAC

TEAC CORPORATION	1-47 Ochiai, Tama-shi, Tokyo 206-8530 Japan	Phone: +81-42-356-9156
TEAC AMERICA, INC.	1834 Gage Road, Montebello, California 90640 U.S.A.	Phone: +1-323-726-0303
TEAC AUDIO EUROPE	Liegnitzer Straße 6, 82194 Gröbenzell, Germany	Phone: +49-8142-4208-141

This device has a serial number located on its rear panel. Please record the serial number and retain it for your records.

Model name: TN-300 Serial number: _____

0914.MA-2111A