

SMART FINDER L110

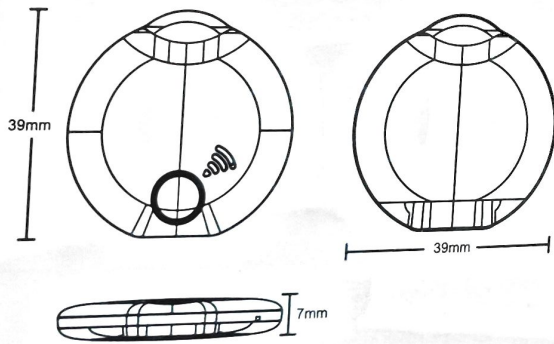
Finding easy for your wallet, phone, keys, toys and other important items.



User manual

V1.0

Get to know the Device



Getting Started

Download the App

Search for "Tuya Smart" App on the Google play or Apple App Store to download the App.

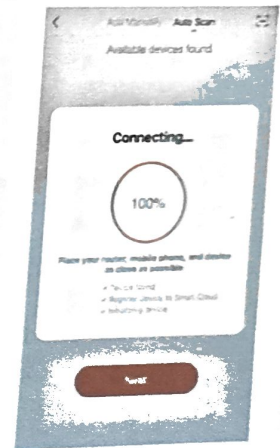


Tuya Smart
Smart Life Smart Living

Registration or login

Open the App to register a new account or login with your existed account.


4 Tap "Next" to finish the pairing, you will see "Added" when it pa successfully.



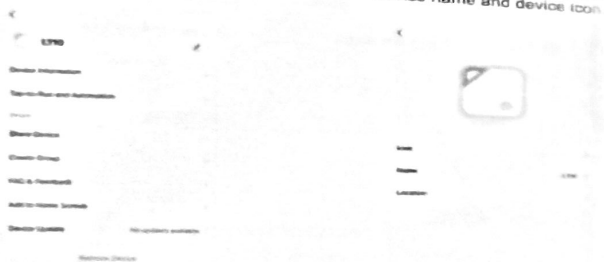
Added.



Sharing, Rename the device and Set the device icon

Tap  at the upper right corner to go to device settings.

Tap the device name to edit the device name and device icon.



Tap "Share Device" to share the device to your family or your friends.

Before you share the device, please confirm that your friend or your family member has the App account. There is no limit to the number of people sharing.

Specifications

Features	Specifications
Model	L110
Size	39x39x7 mm
Weight	8.3g
Battery	CR2032
Wireless	Bluetooth 4.2
Wireless distance	Outdoor 35m

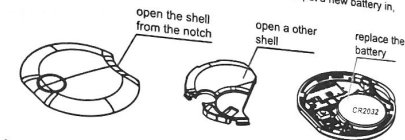
FAQ

What the effective distance between the phone and the device?

The effective distance is determined by the environment. In empty environment (Not obstructed place), it can reach a maximum of 35 meters. In office or home, there are walls or other barriers, the distance will be shorter, about 10-20 meters.

What is the battery type and how to replace the battery?

The battery is CR2032 cell button. One battery can work for about 12 months. Open the shell from the notch, take out the battery, then put a new battery in, buckle the shell.



How to unbind the device from the phone?

Tap the upper right corner to go to device settings, then tap "Remove Device" to unbind.

How to share the device to others?

Please follow below steps:

1. Confirm the added people has an account of the App.
2. Find the "Share device" option, then follow the info.

How to use the lanyard?

You can use a lanyard directly.

