

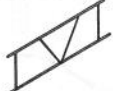

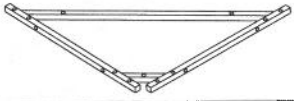



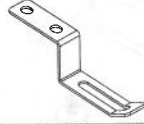








PARTS LIST


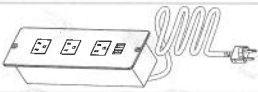

THE PART NUMBER CAN BE FOUND ON THE SIDE OF THE PART, EITHER STAMPED OR ON A STICKER
ITEMS ARE NOT SHOWN TO SCALE.

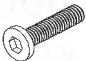
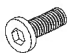

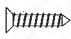

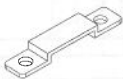



IF THERE ARE ANY MISSING PARTS OR DAMAGED PARTS, PLEASE EMAIL US AT mrironstone@hotmail.com
FIRST FOR HELP

#	DESCRIPTION		QTY.
A	Leg Frame		2
B	Leg Frame		2
C	Lower Frame		2
D	Connection Frame		1
E	Middle Frame		1
F	Side Bracket		2
G	Middle Bracket		2
H	Connecting Bar		1
I	Headphone Hook		1
J	Cup Holder		1
K	Upper Bar		4
L	Desktop		1
M	Desktop		1
N	Middle Desktop		1
O	Side Monitor Shelf		2

PARTS LIST

EXTRA HARDWARE INCLUDED FOR YOUR CONVENIENCE ITEMS ARE NOT SHOWN TO SCALE.



#	DESCRIPTION		QTY.
P	Middle Monitor Shelf		1
Q	Power Outlet		1
R	LED Light & Remote Control		1

	HARDWARE		QTY.
①	M6X40mm		30
②	M6X25mm		23
③	M6X12mm		4
④	M3X12mm		14
⑤	Wood Dowel		4
⑥	Connecting Piece		6
⑦	Foot		6
⑧	Allen Wrench		1
⑨	Screwdriver		1

⚠ CAUTION

READ THE INSTRUCTION MANUAL BEFORE ASSEMBLING

- OPEN THE HARDWARE AS NEEDED
- ASSEMBLE IN AN AREA WITH PLENTY OF SPACE
- READ EACH STEP BEFORE BEGINNING CONSTRUCTION
- NEVER FORCE THE SCREWS OR FITTINGS
- KEEP THIS MANUAL FOR FUTURE REFERENCE
- TIGHTEN ALL THE SCREWS EVERY 6 MONTHS
- DO NOT SHIFT OR DRAG THE PRODUCT AFTER ASSEMBLY
- POWER TOOLS SHOULD NOT BE USED TO ASSEMBLE THIS PRODUCT

	YES
	NO

⚠ WARNING:

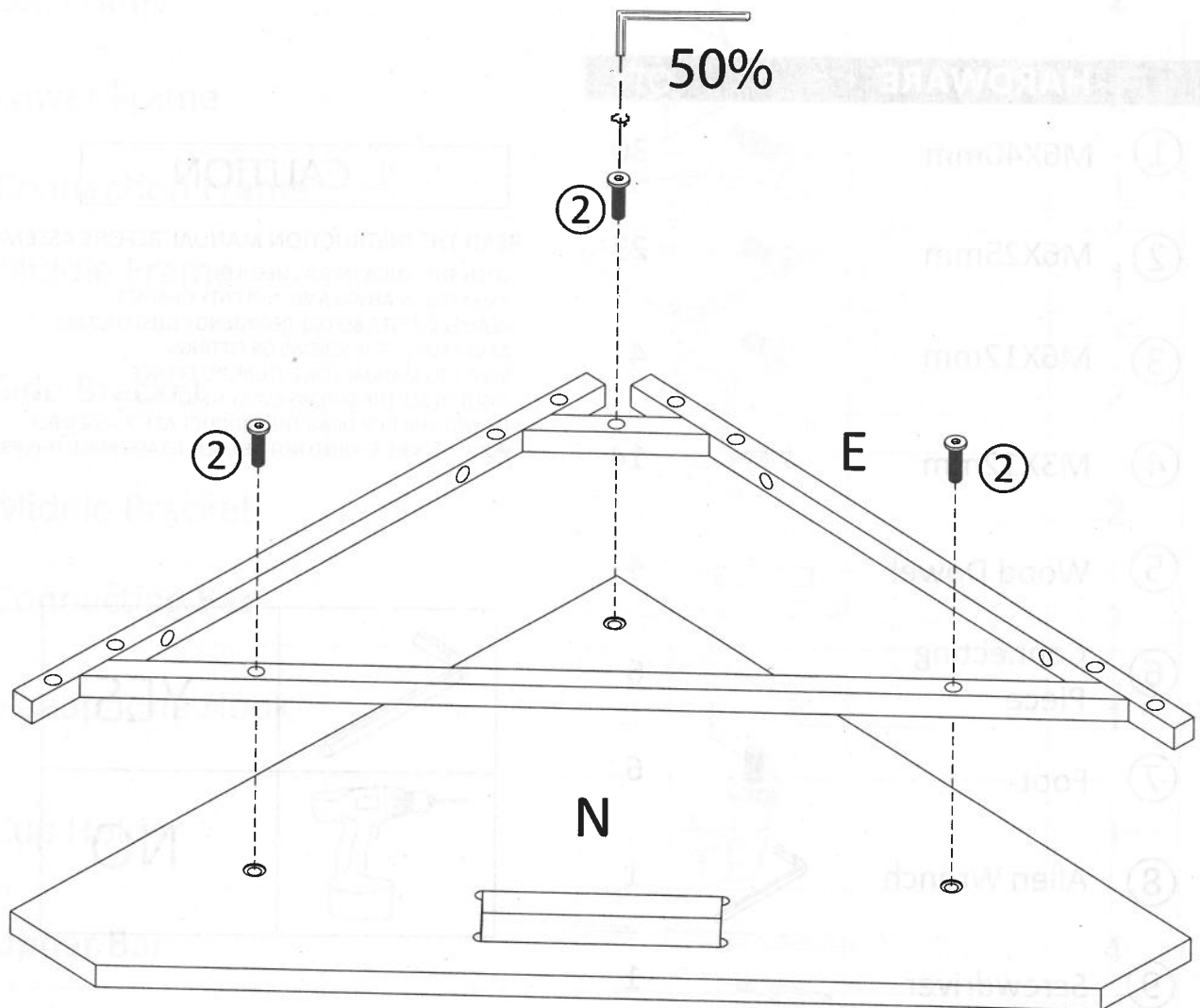
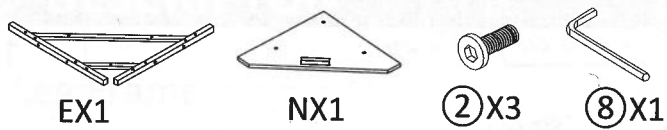
If you use a power screwdriver for screwing, please be aware to slow down the speed of the power screwdriver and make sure the bolts/screws are NOT over-tightened. Failure to do so may result in collapse/bending the tubing.

ASSEMBLY INSTRUCTIONS (LD05)

STEP 1

Lay down the Middle Desktop (N) back side up on the floor.

Attach Middle Frame (E) to Middle Desktop (N) using three Screws (2) and tighten the screws to 50% tightness.



WARNING:
Do NOT Over-tighten the Bolts/ Screws. Failure to do so may result in collapsing the tubing.

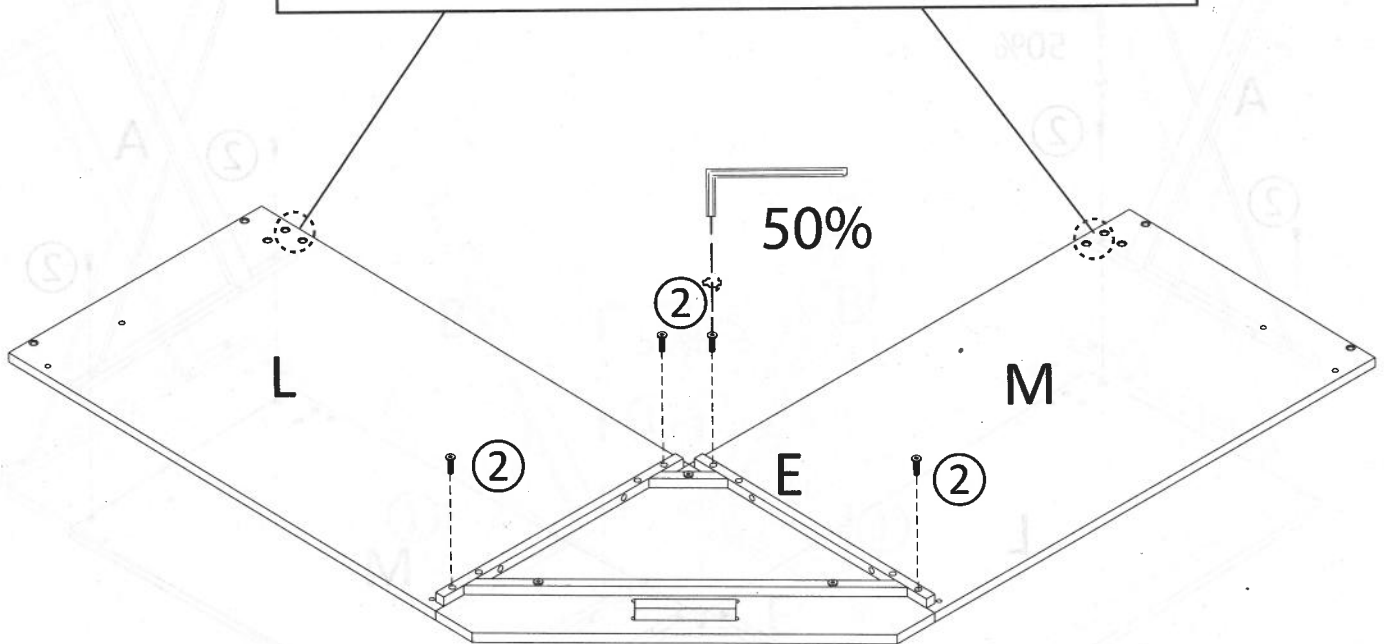
ASSEMBLY INSTRUCTIONS (LD05)

STEP 2

Attach Desktop (L) and Desktop (M) to Middle Frame (E) using four Screws (2) and tighten the screws to 50% tightness.



Attention: please make sure the Desktop (L) and Desktop (M) are in the right direction.



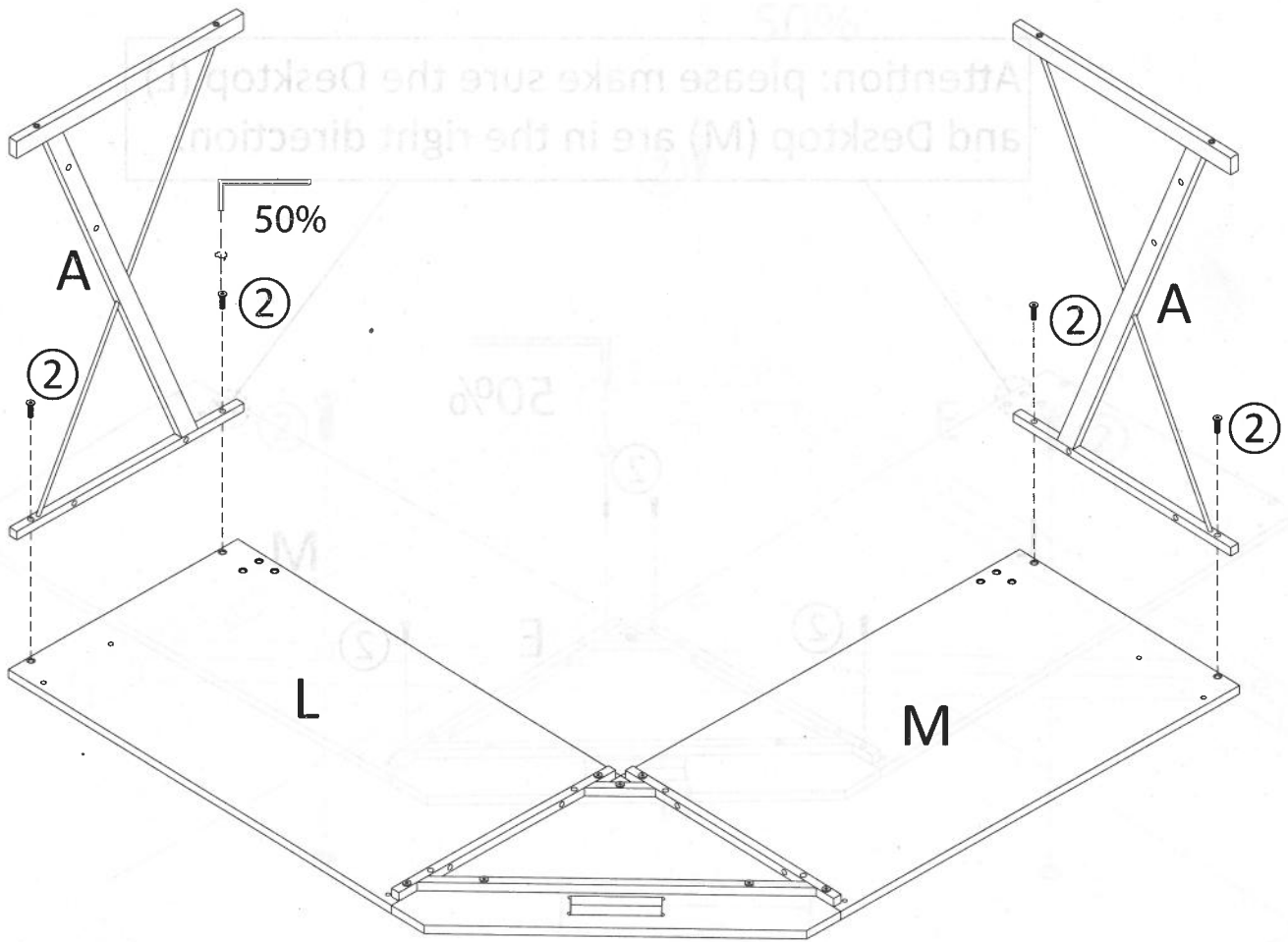
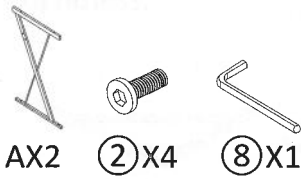
WARNING:

Do NOT Over-tighten the Bolts/ Screws. Failure to do so may result in collapsing the tubing.

ASSEMBLY INSTRUCTIONS (LD05)

STEP 3

Attach two Leg Frames (A) to Desktop (L) and (M) using four Screws (2) and tighten the screws to 50% tightness.



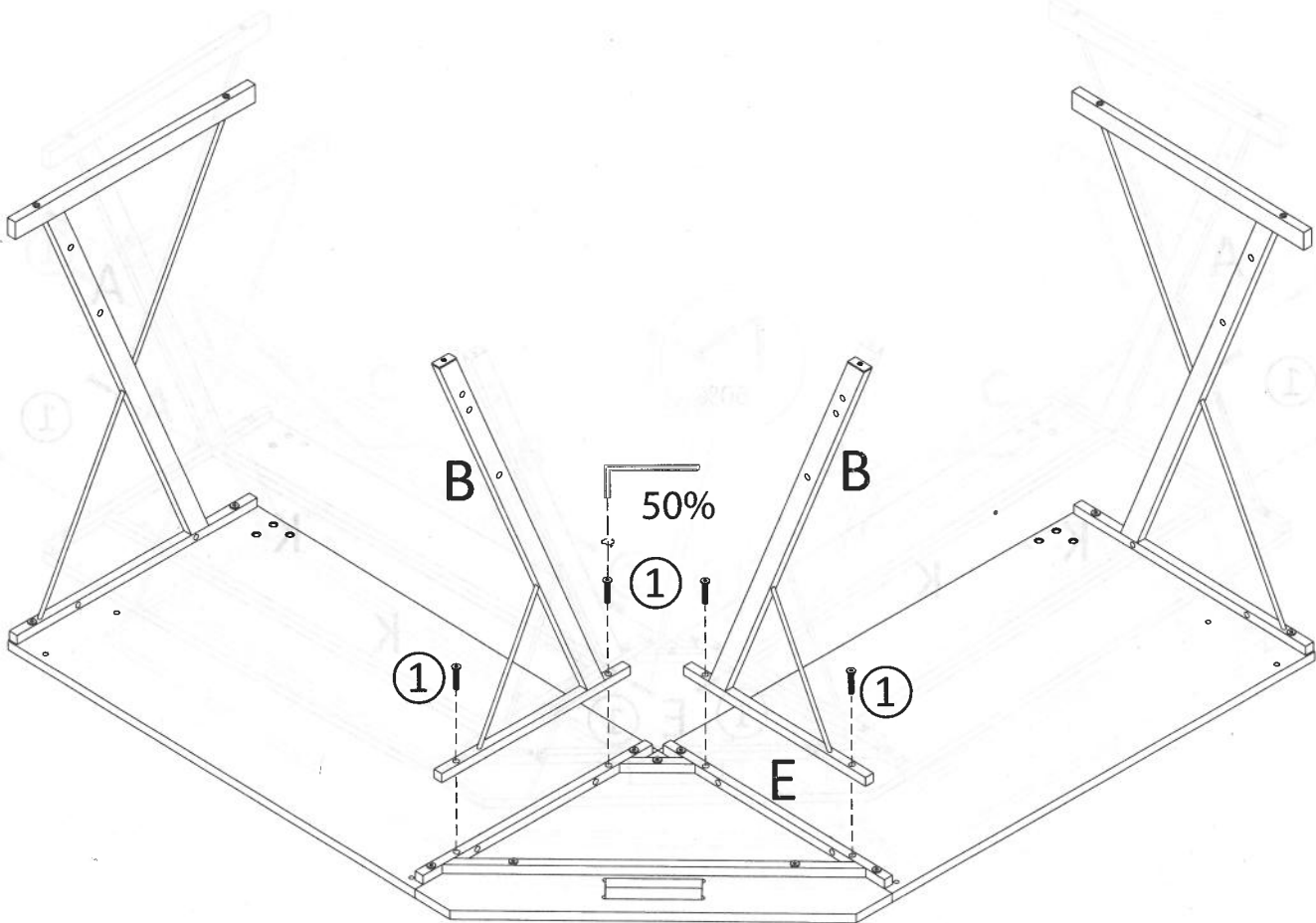
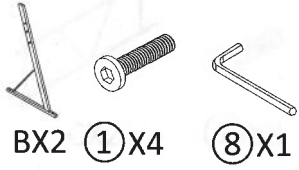
WARNING:

Do NOT Over-tighten the Bolts/ Screws. Failure to do so may result in collapsing the tubing.

ASSEMBLY INSTRUCTIONS (LD05)

STEP 4

Attach Leg Frames (B) to Middle Frame (E) using four Screws ① and tighten the screws to 50% tightness.



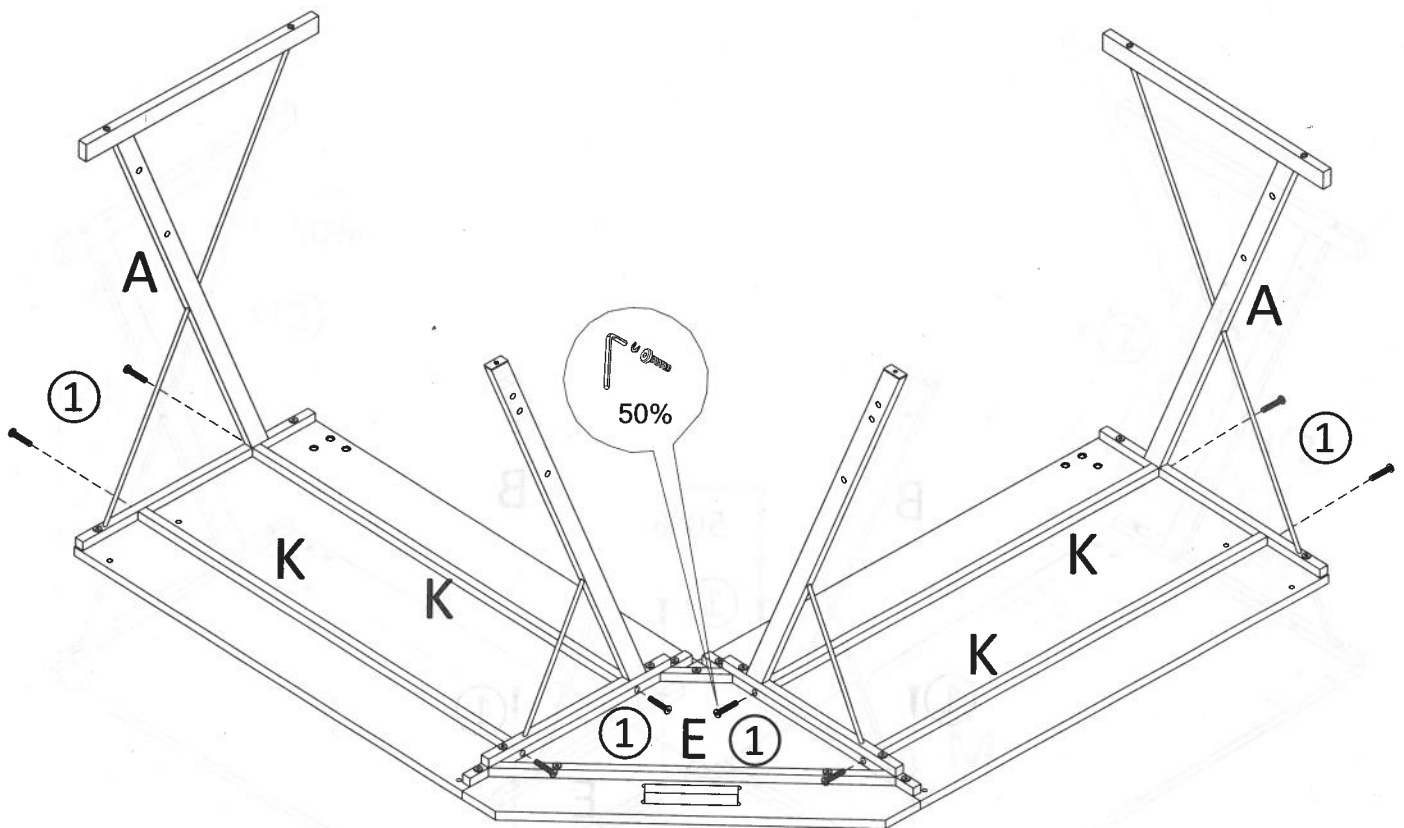
WARNING:

Do NOT Over-tighten the Bolts/ Screws. Failure to do so may result in collapsing the tubing.

ASSEMBLY INSTRUCTIONS (LD05)

STEP 5

Attach four Upper Bars (K) to Middle Frames (E) and Leg Frames (A) using eight Screws ① and tighten the screws to 50% tightness.



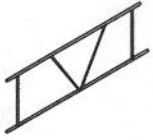
WARNING:

Do NOT Over-tighten the Bolts/ Screws. Failure to do so may result in collapsing the tubing.

ASSEMBLY INSTRUCTIONS (LD05)

STEP 6

Attach two Lower Frames (C) to Leg Frames (A) and Leg Frames (B) using eight Screws ① and tighten the screws to 50% tightness.



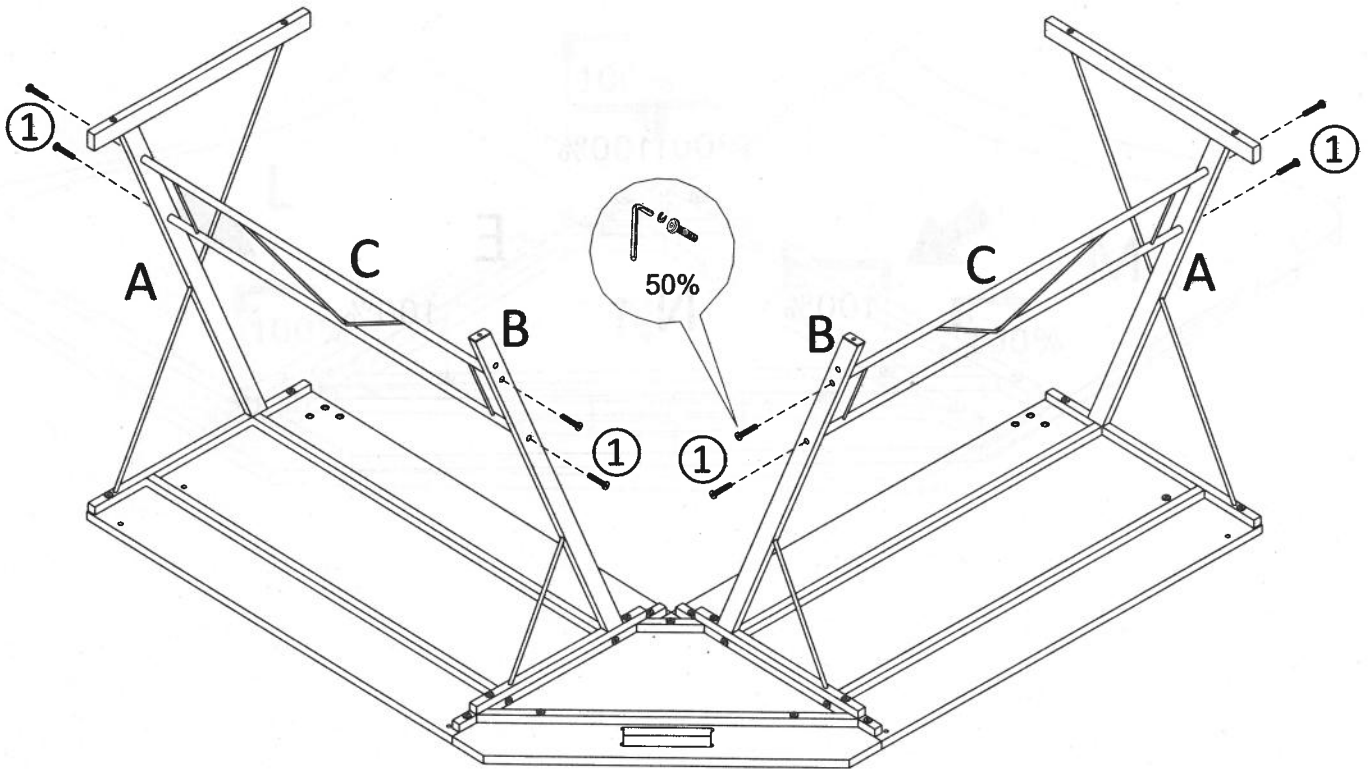
CX2



①X8



⑧X1



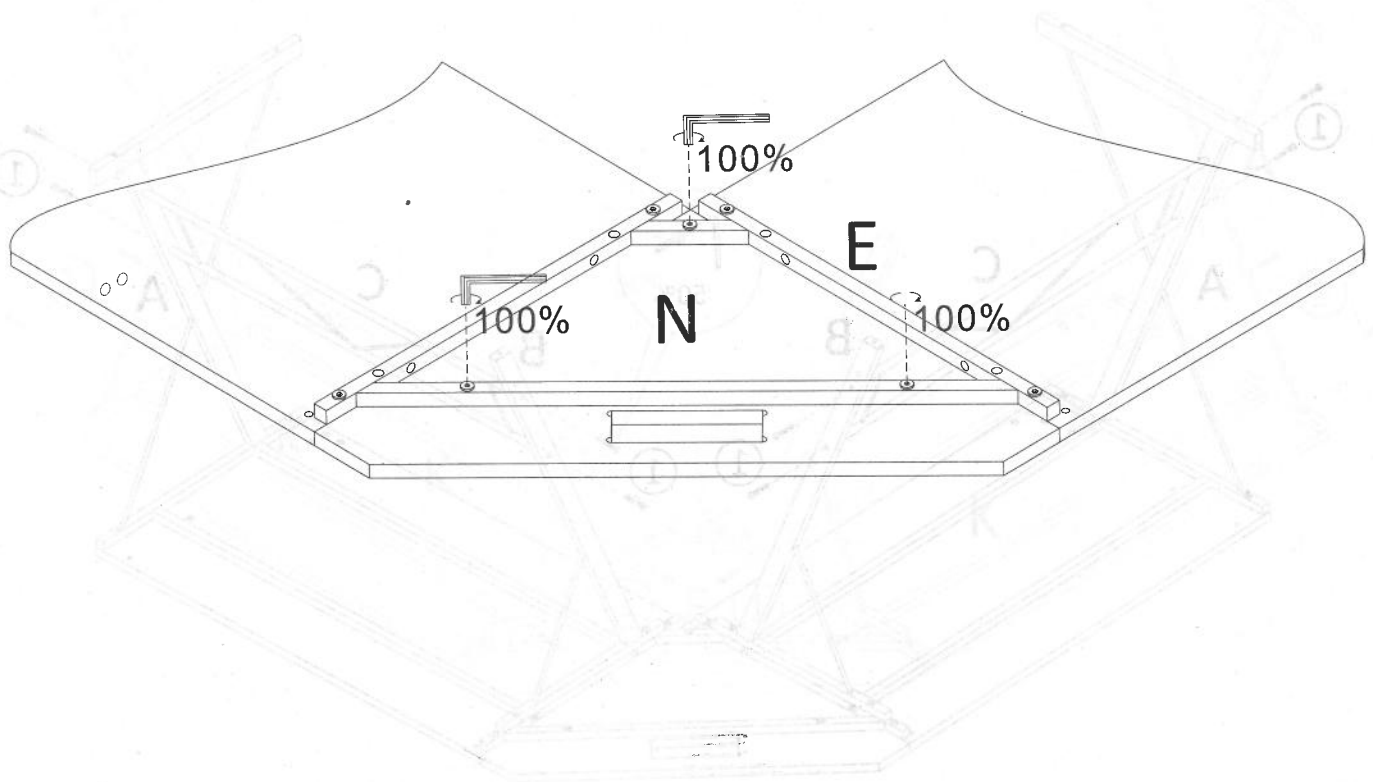
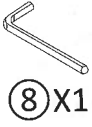
WARNING:

Do NOT Over-tighten the Bolts/ Screws. Failure to do so may result in collapsing the tubing.

ASSEMBLY INSTRUCTIONS (LD05)

STEP 7

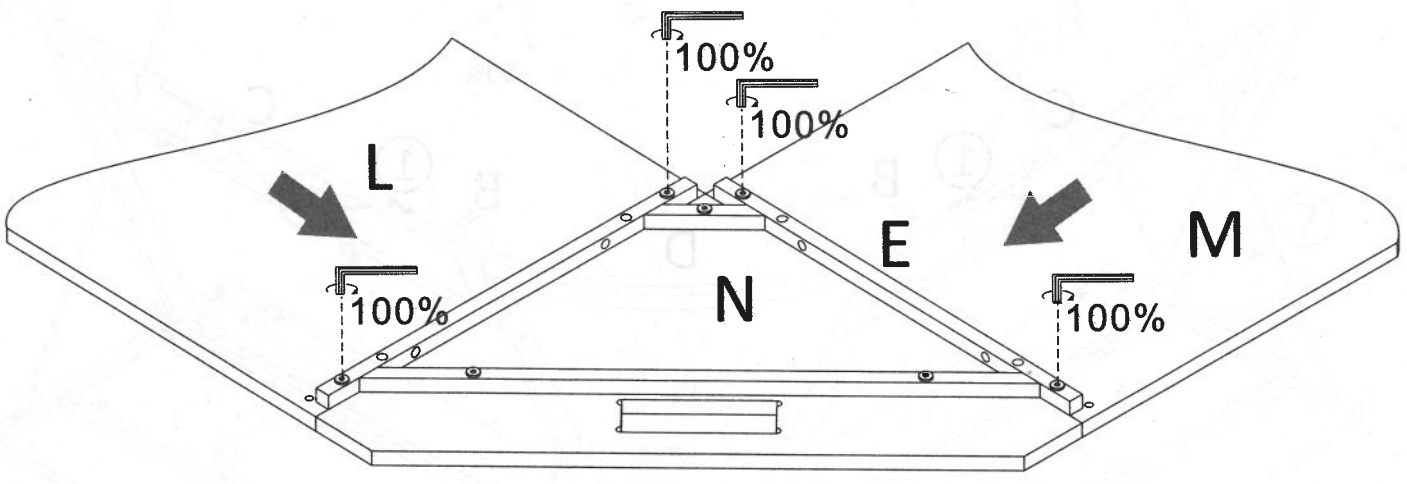
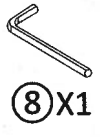
Tighten the three Screws on Middle Desktop (N).



WARNING:
Do NOT Over-tighten the Bolts/ Screws. Failure to do so may result in collapsing the tubing.

STEP 8 -----

Please make sure Desktop (L) and (M) and Middle Desktop (N) are seamless and properly matched before tightening screws as shown below.



WARNING:
Do NOT Over-tighten the Bolts/ Screws. Failure to do so may result in collapsing the tubing.

ASSEMBLY INSTRUCTIONS (LD05)

STEP 9

Attach Connection Frame (D) to Leg Frames (B) using two Screws ① and tighten the screws to 50% tightness.



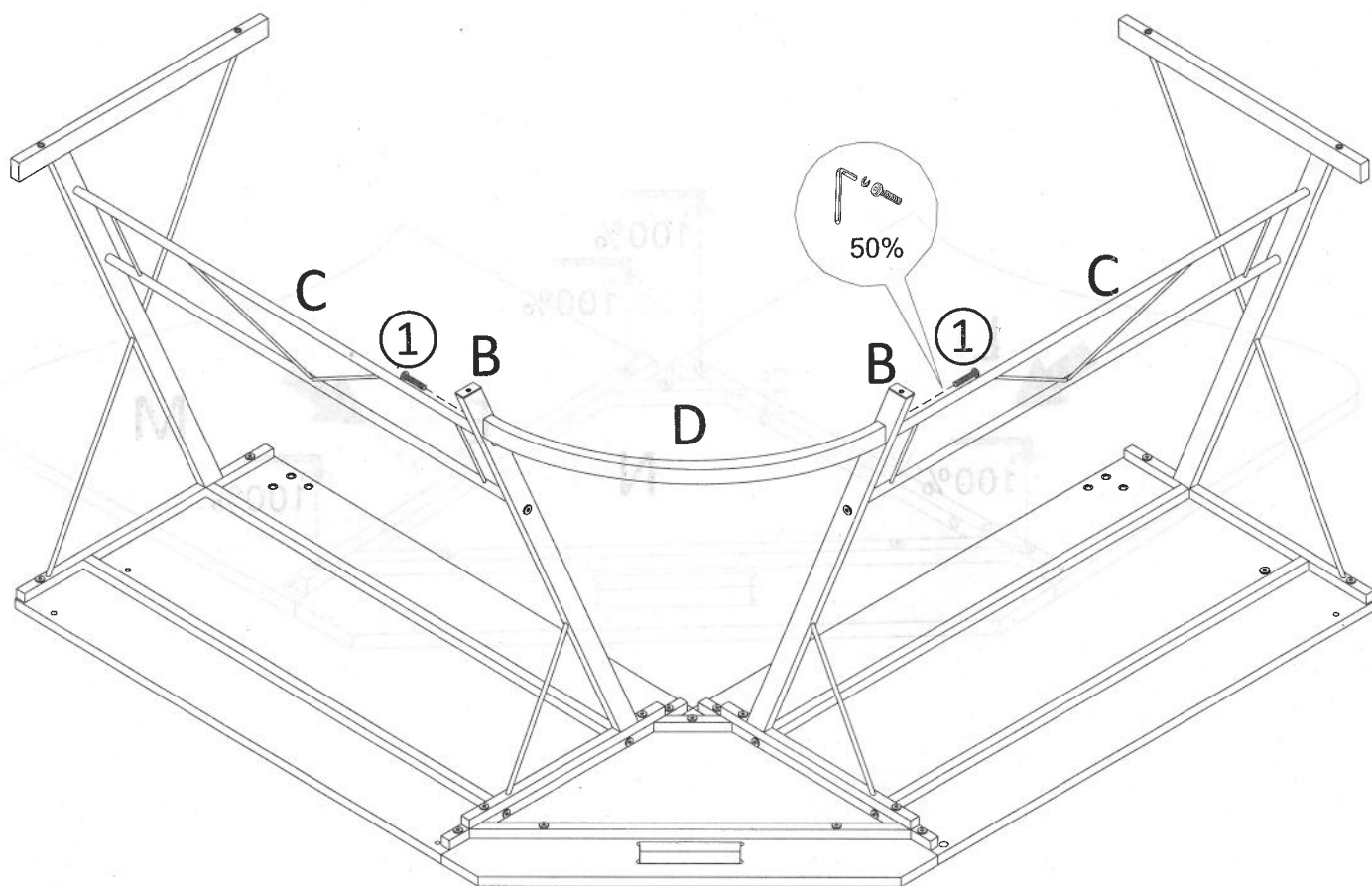
DX1



① X2



⑧ X1



WARNING:

Do NOT Over-tighten the Bolts/ Screws. Failure to do so may result in collapsing the tubing.

ASSEMBLY INSTRUCTIONS (LD05)

STEP 10

1. Attach six Feet (7) to Leg Frames (A) and (B).
2. Then attach Cup Holder (J) and Headphone Hook (I) to the Desktop (L) and (M) by using 4 screws (3).
3. Tighten all the screws as shown below to 100% tightness.



JX1



IX1



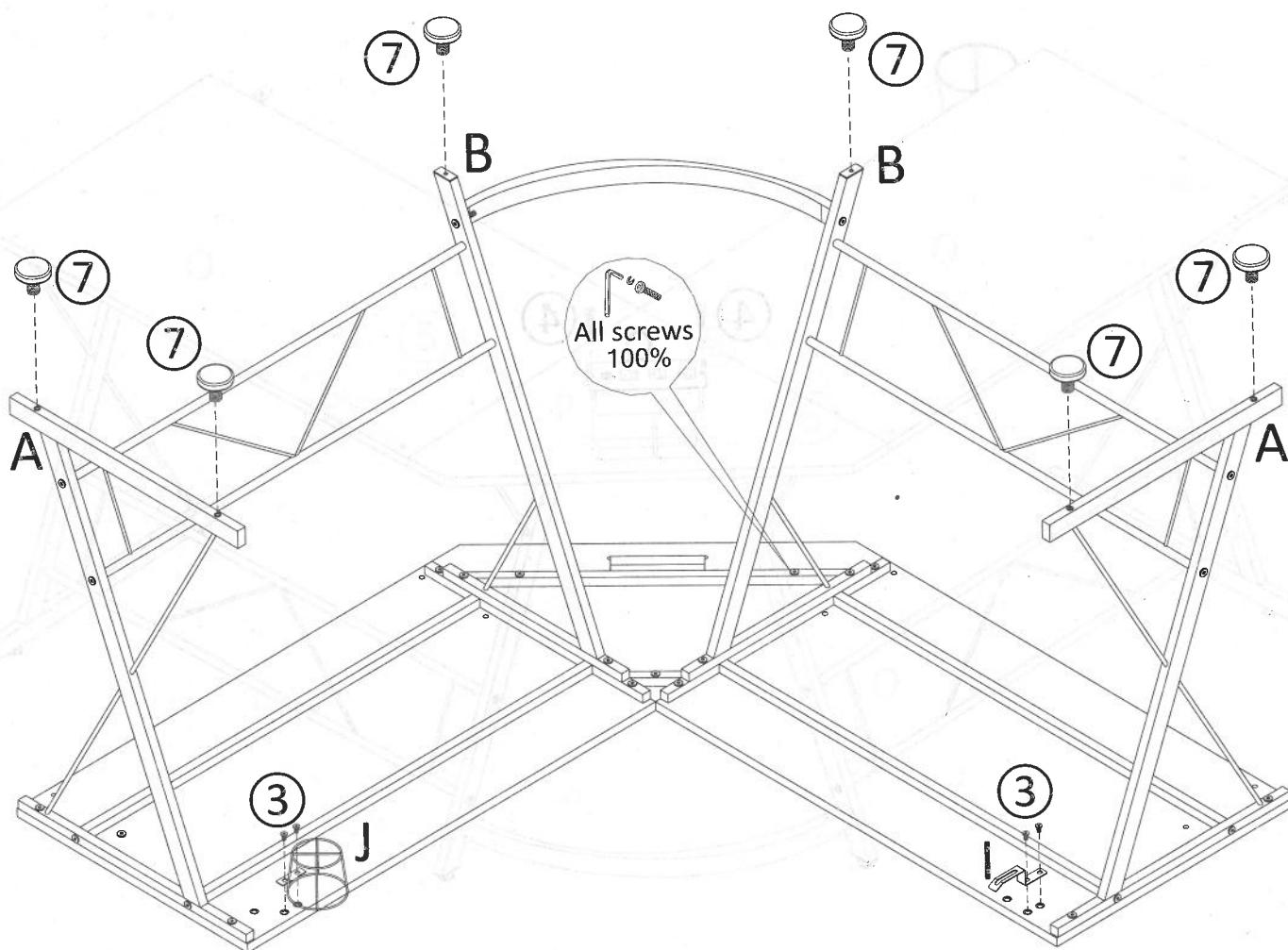
(3)X4



(7)X6



(8)X1



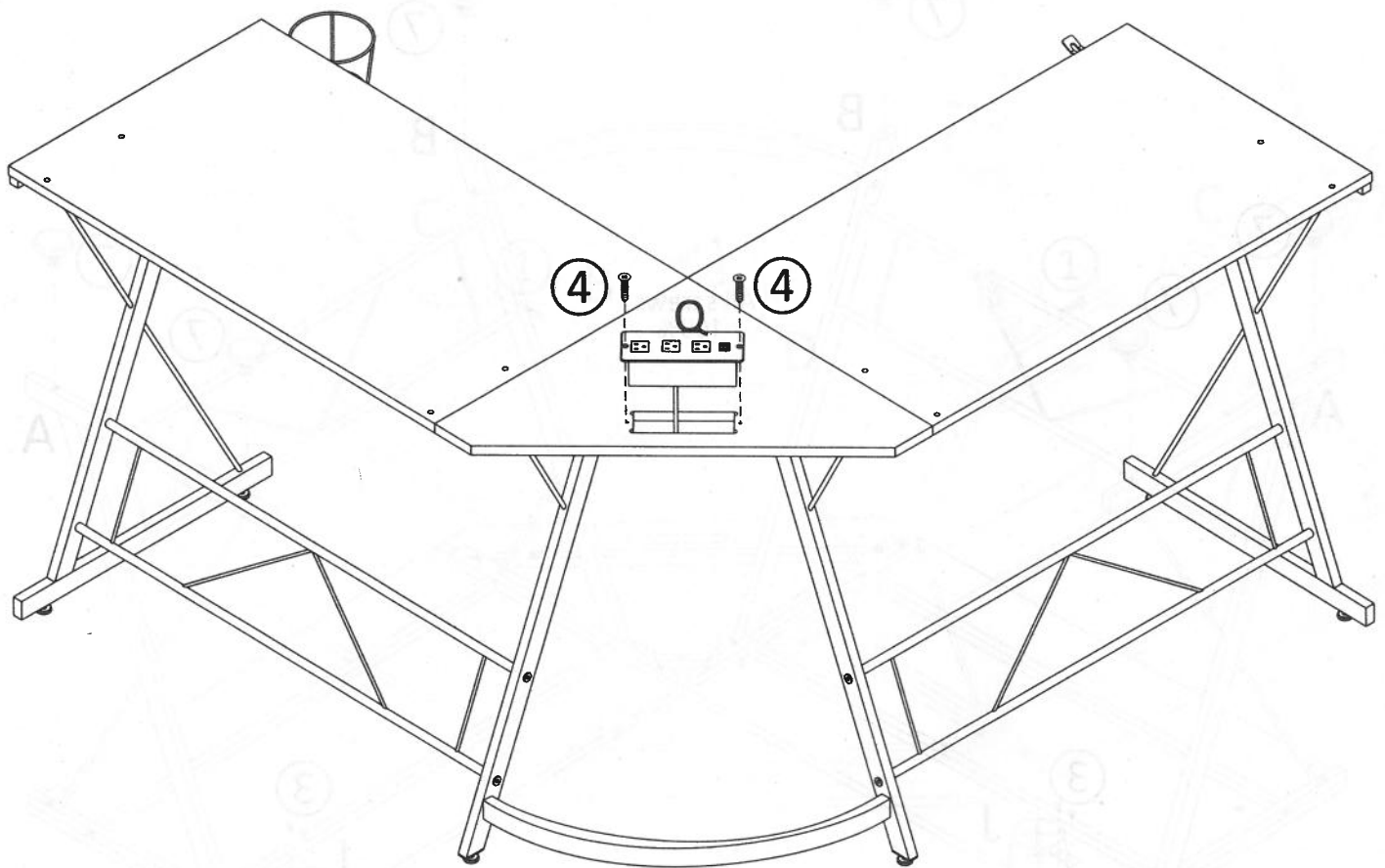
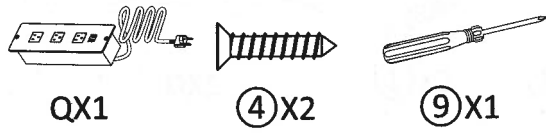
Attention:

The positions of Cup Holder and Headphone Hook can be placed on left or right freely!

ASSEMBLY INSTRUCTIONS (LD05)

STEP 11

Then attach the Power Outlet (Q) to the Middle Desktop (N) by using 2 screws ④.



Attention: The positions of Cup Holder and Headphone Hook can be placed on left or right freely. Please you do.

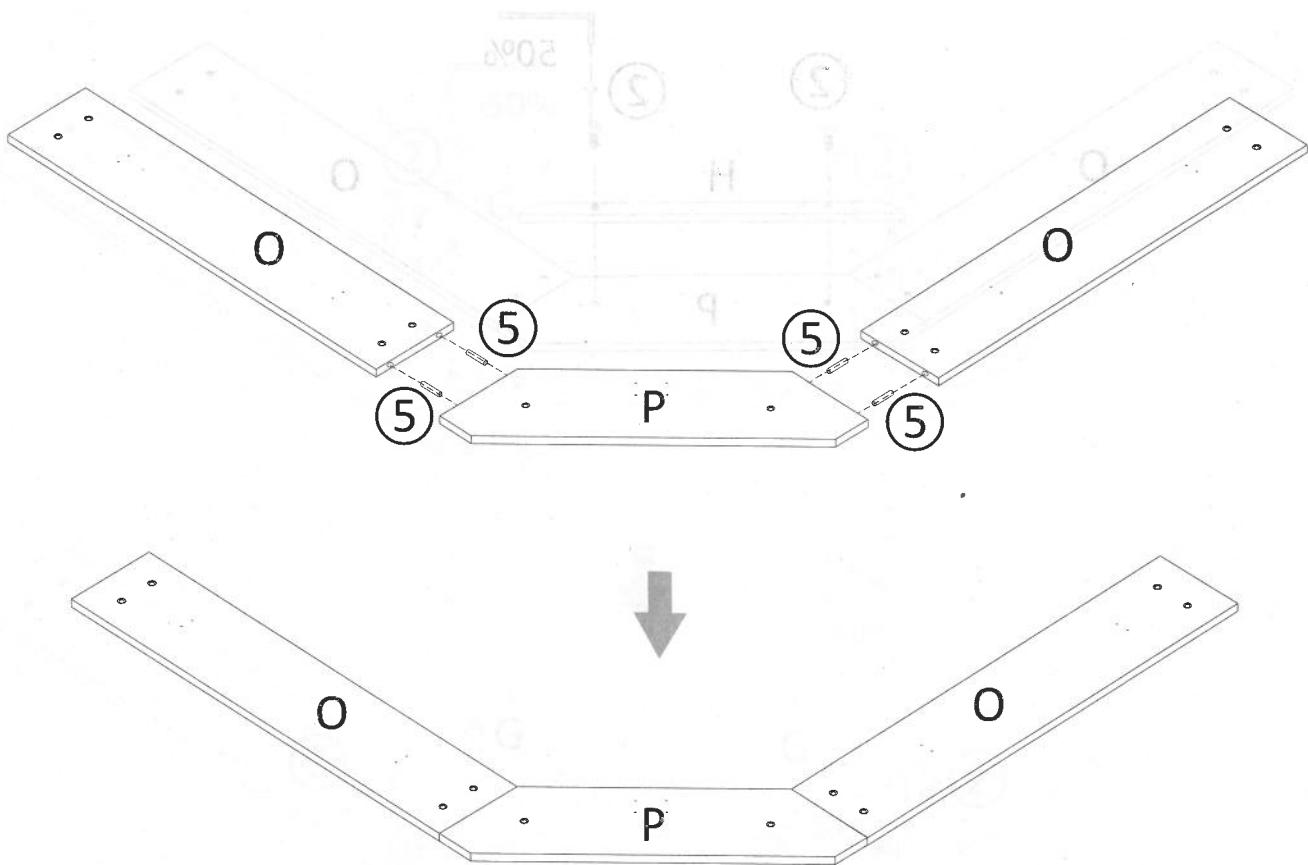
ASSEMBLY INSTRUCTIONS (LD05)

STEP 12

First, turn two Side Monitor Shelves (O) and Middle Monitor Shelf (P) upside down on a flat ground;

Secondly, inserting four Wood Dowels (5) into each side of the Middle Monitor Shelf (P);

Then attach two Side Monitor Shelves (O) in parallel to the Middle Monitor Shelf (P).



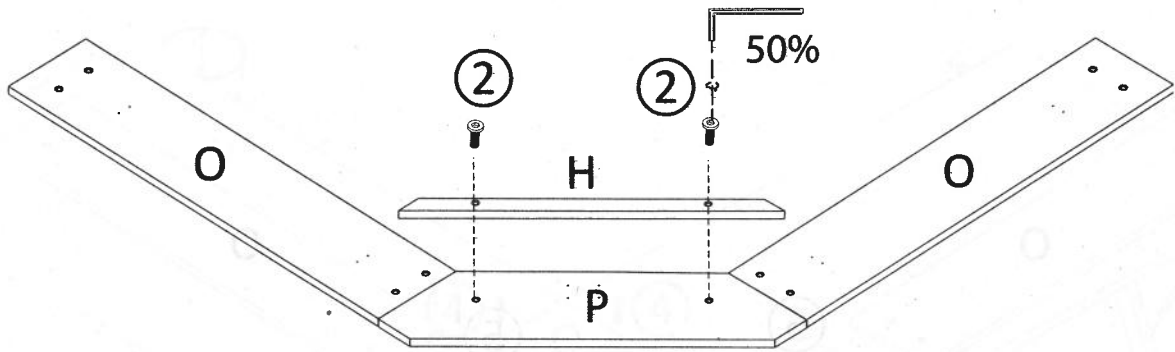
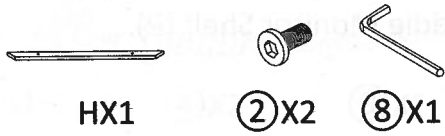
WARNING:

Please pay attention to doing this step on flat ground or desktop, which will be helpful to connect the three parts more fluently.

ASSEMBLY INSTRUCTIONS (LD05)

STEP 13

Attach Connecting Bar (H) to the Middle Monitor Shelf (P) by using two screws (2) to 50% tightness.



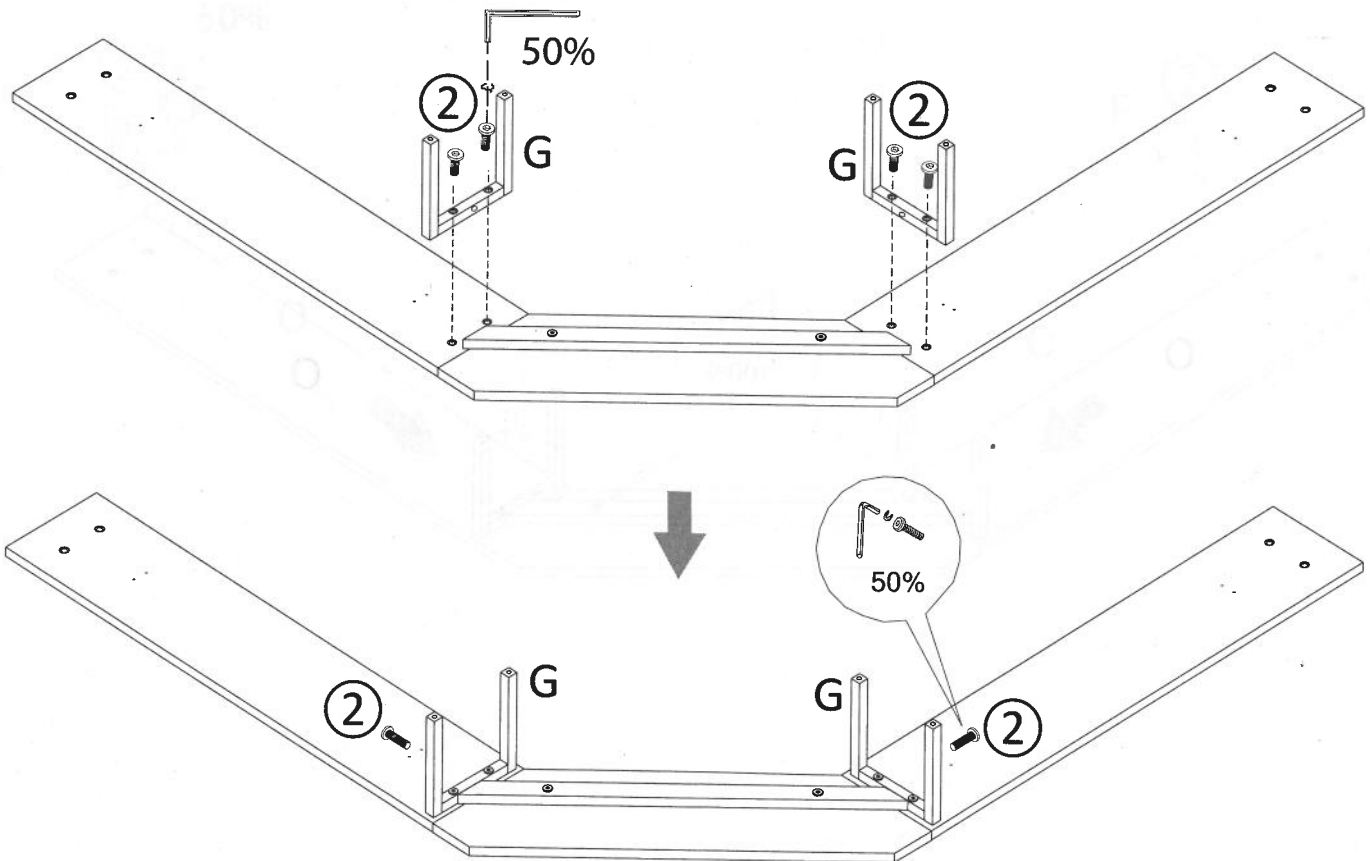
WARNING:

Do NOT Over-tighten the Bolts/ Screws. Failure to do so may result in collapsing the tubing.

ASSEMBLY INSTRUCTIONS (LD05)

STEP 14

Attach two Middle Brackets (G) to the Side Monitor Shelves (O) by using four screws (2) to 50% tightness and to the Connecting Bar (H) by using two screws (2) to 50% tightness.



WARNING:

Do NOT Over-tighten the Bolts/ Screws. Failure to do so may result in collapsing the tubing.

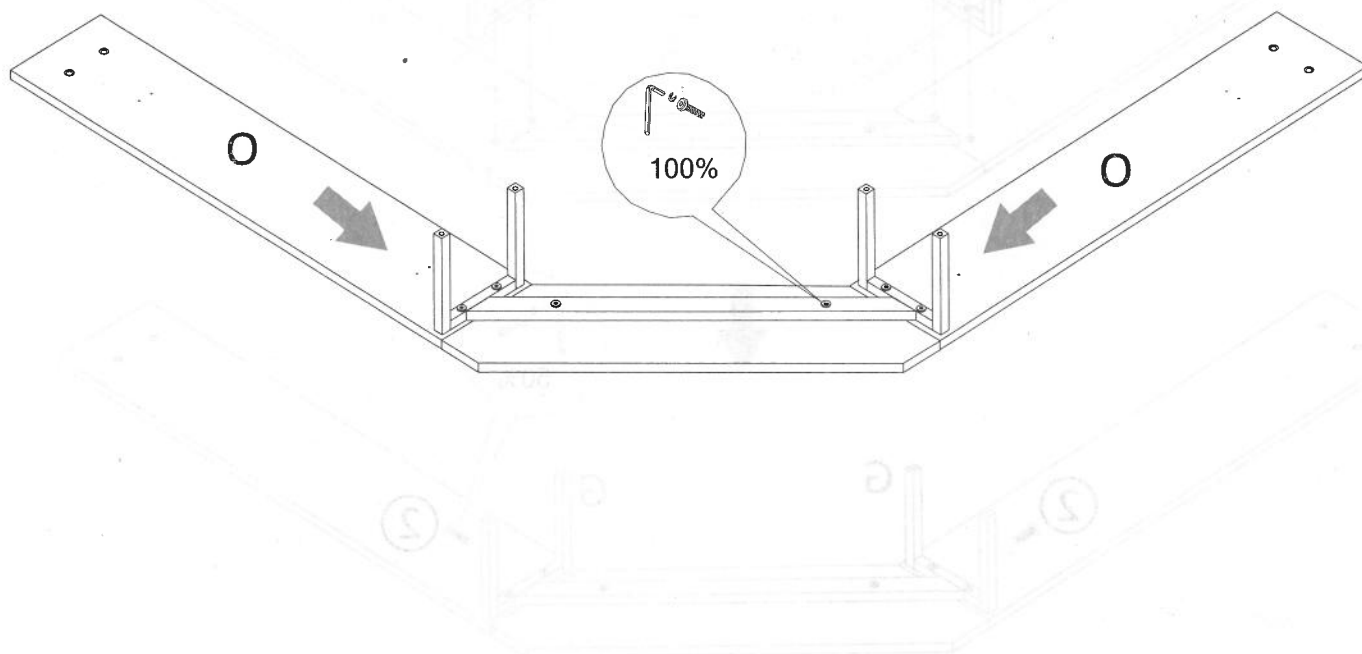
ASSEMBLY INSTRUCTIONS (LD05)

STEP 15

Please make sure that the two Side Monitor Shelves (O) and the Middle Monitor Shelf (P) are seamless and properly matched, then tighten these 8 screws to 100% tightness.



⑧X1



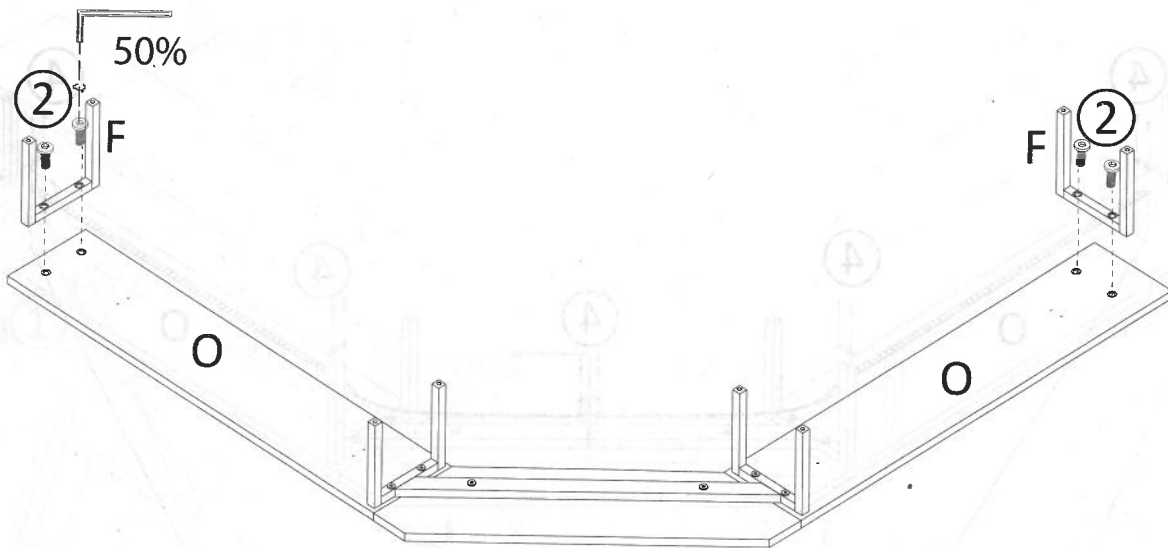
NOTICE:

You can tighten these 8 screws to 100% tightness after making sure there is no gap between the three shelves.

ASSEMBLY INSTRUCTIONS (LD05)

STEP 16

Attach two Side Brackets (F) to the two Side Monitor Shelves (O) by using 4 screws (2) to 50% tightness.



WARNING:

Do NOT Over-tighten the Bolts/ Screws. Failure to do so may result in collapsing the tubing.

ASSEMBLY INSTRUCTIONS (LD05)

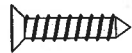
STEP 17

Tear off the sticker of the light strip, and stick the Led light strip to the position of the Desktop (L) and Desktop(M) as shown below.

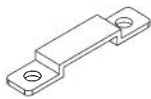
Then attach 6 Connecting Pieces (6) to the Desktop (L) and (M) and Middle Desktop (N) by using 12 screws (4)



RX1



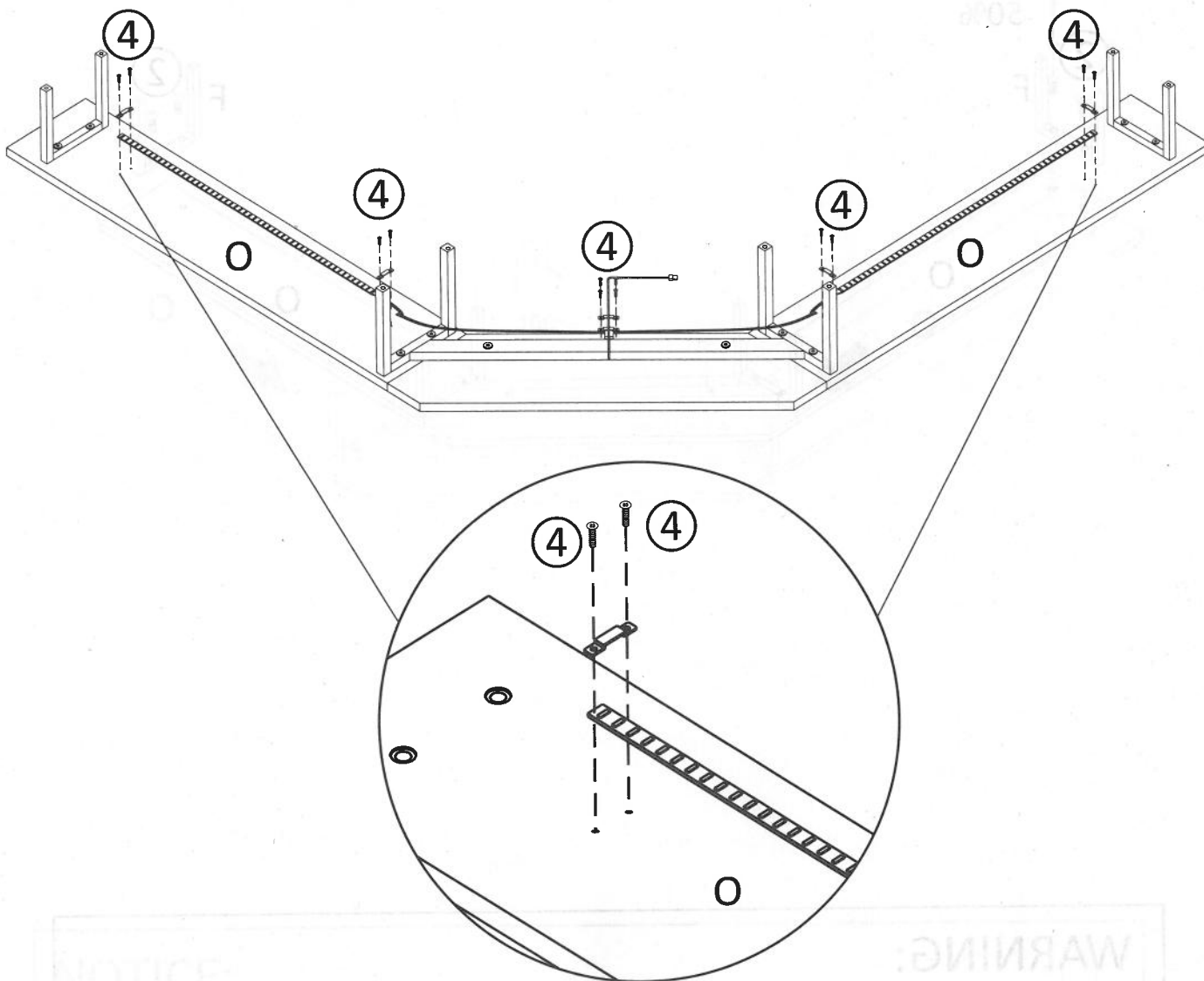
(4)X12



(6)X6



(9)X1



WARNING: Do NOT Over-tighten the Bolts/ Screws. Failure to do so may result in collapsing the tubing.

ASSEMBLY INSTRUCTIONS (LD05)

STEP 18

Final step

Turn upside down the whole Monitor Shelves and attach it to the Desktop by using 8 screws ①

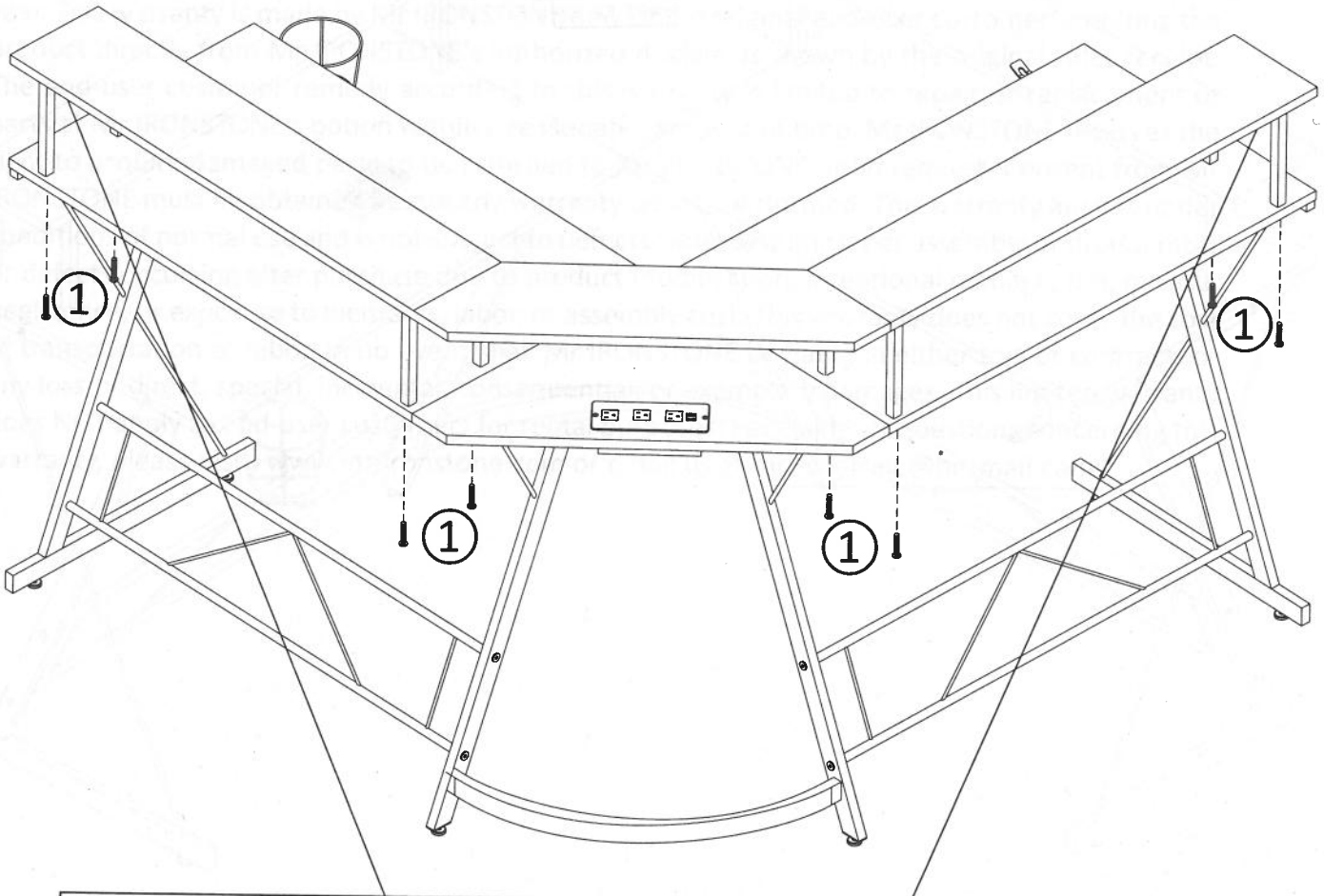
Attention: You can use the screws ① to assemble the Middle Brackets (G) first, and then assemble the Side Brackets (F).



① X8



⑧ X1



Remember to tighten these screws to 100% tightness at last.

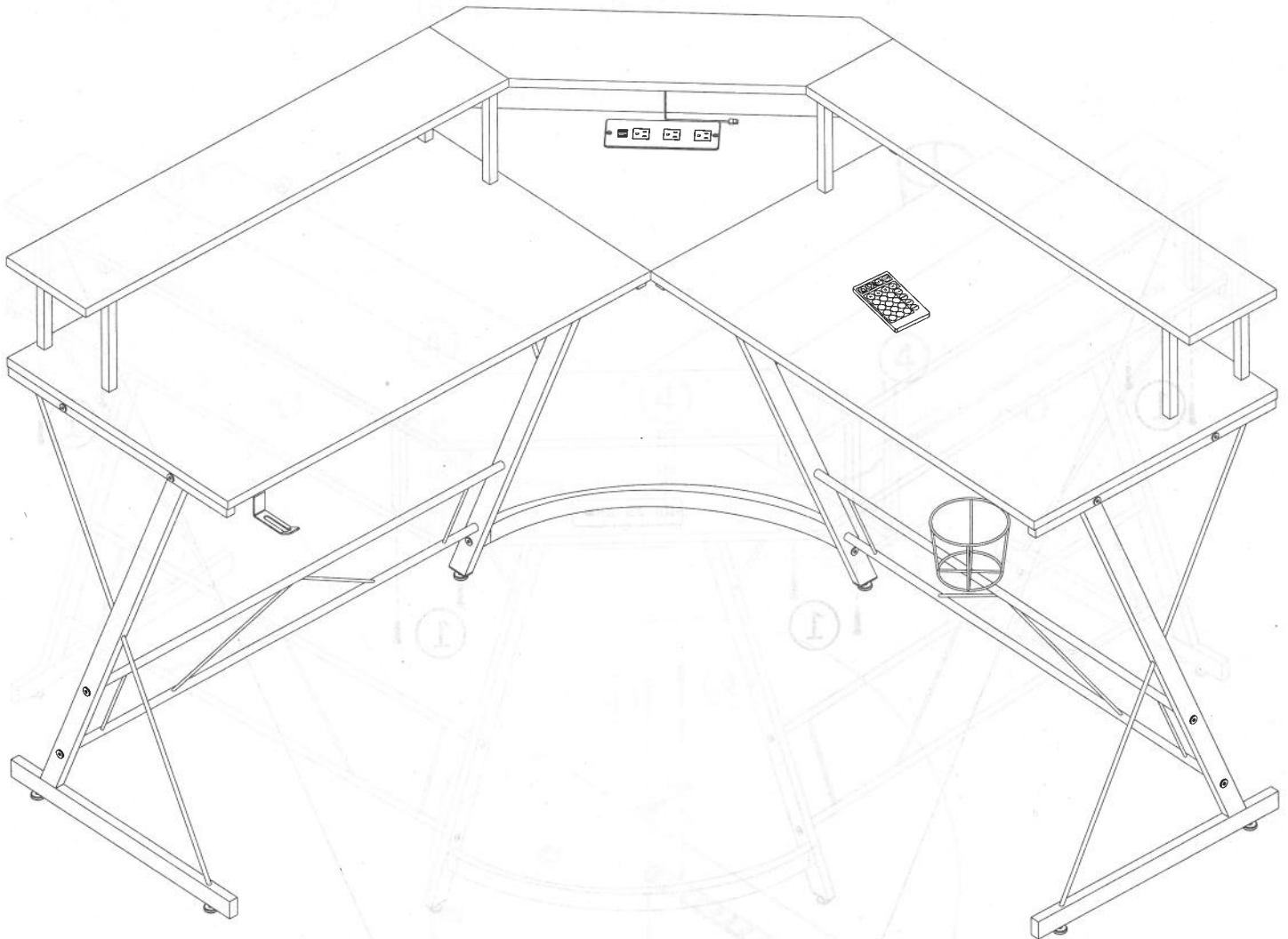
ASSEMBLY INSTRUCTIONS (LD05)

STEP 19

CONGRATULATIONS! Assembling complete!

Please make sure that all the screws are 100% tightened.

ATTENTION: IF YOU ENCOUNTER ANY PROBLEMS DURING ASSEMBLING, PLEASE FEEL FREE TO CONTACT US FOR HELP!



Remember to tighten these screws to 100% tightness at last.