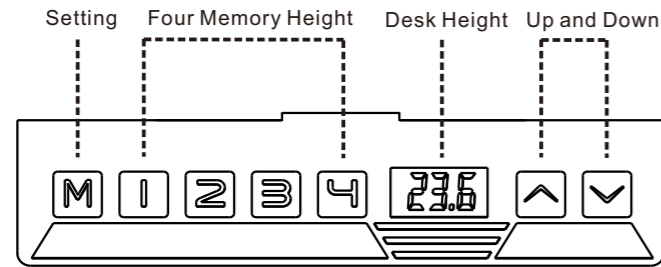


Ready To Use



Before Plugging the table into the outlet, make sure that

- The lift columns are level and set at the lowest position.
- All the screws are tightened, to avoid the desk making noise and wobbling.

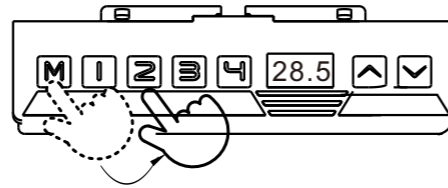
Activate the desk by following the next steps.

- Please press button down and hold for 10-15 seconds until it stutters and beeps.
- Release the button, then your desk is ready to use.

Operation Guide

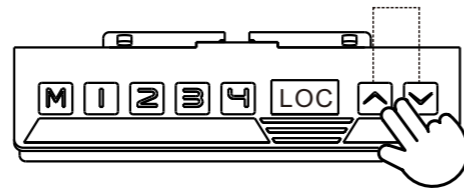
1. Memory desired height

- Press button "M", display show "S-" with flash.
- Press number and set desired position.



2. Advanced Safety feature- lock and unlock the table.

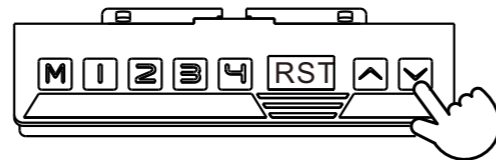
- Press button up and down at same time for 5 seconds, display "LOC"
- All single button will be inactive and table will be unable to move.
- Pressing button up and down together will unlock the keypad and release the LOC



3. Reset the table

When display show Error code or RST, Please reset the table.

- Unplug the power cord from the control box.
- Unplug the cable that links the keypad to the control box.
- Wait 30 minutes and plug all the cables in again.
- Do the reset: please press button down and hold for 10-15 seconds until it stutters and beeps.



Press by holding
10-15 seconds

If the keypad displays HOT, please unplug and replug and let it cool off for a couple of minutes before proceeding again.

Assembly Instruction



**-Office Desk
-Electric lifting table**

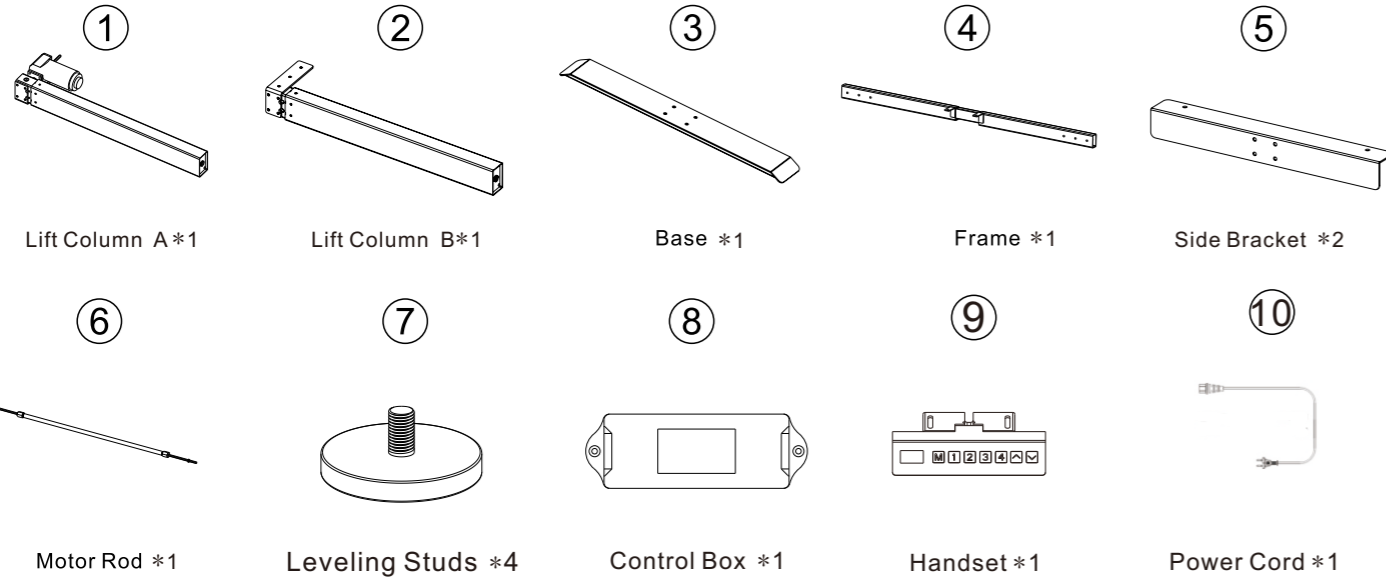
Installation tips



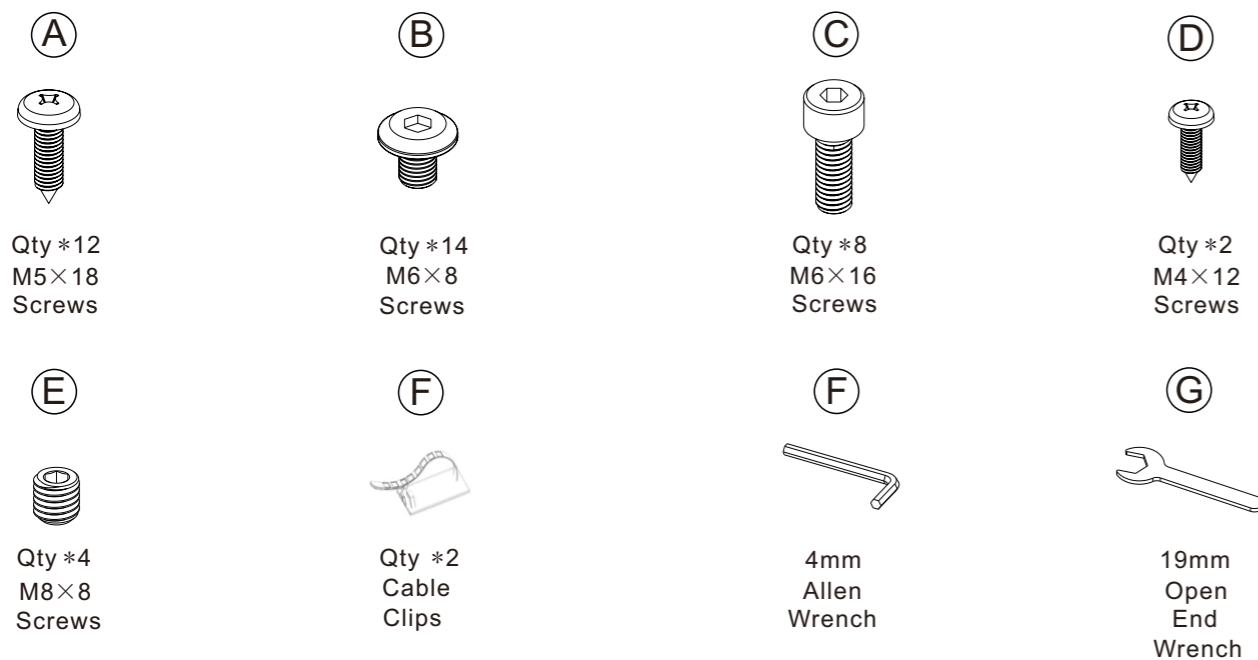
Please don't tighten the screws completely and go back later for a final tightening of all the screws after pieces are aligned with each other.

Lay a mat or old blanket out to assemble onto so the floor and the furniture doesn't get scratched or damaged during building.

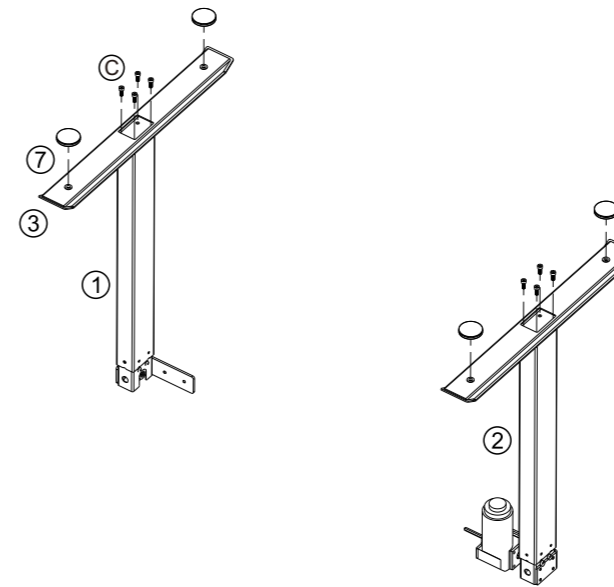
Part List



Accessory Kit

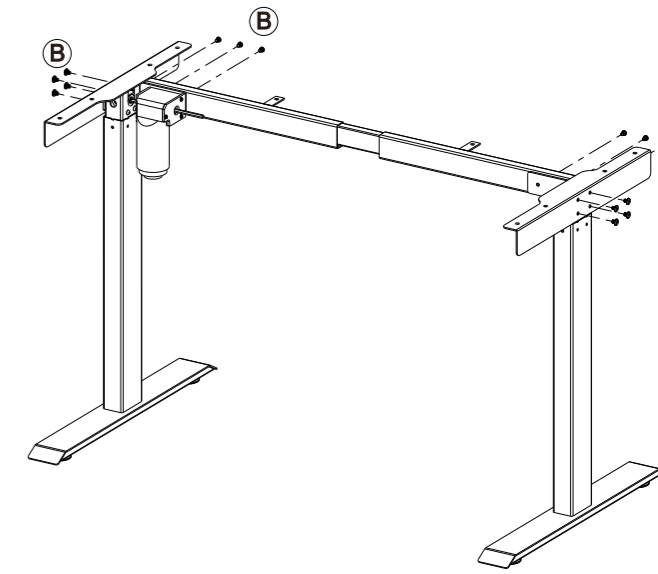


STEP 1:



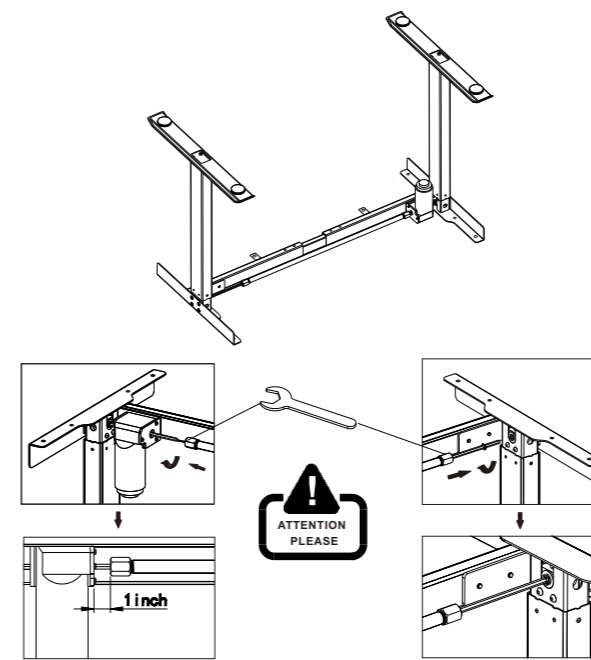
- ① Lift Column A *1
- ② Lift Column B *1
- ③ Base *2
- Ⓑ Leveling Studs *4
- Ⓒ M6×16 Screws *8

STEP 2:



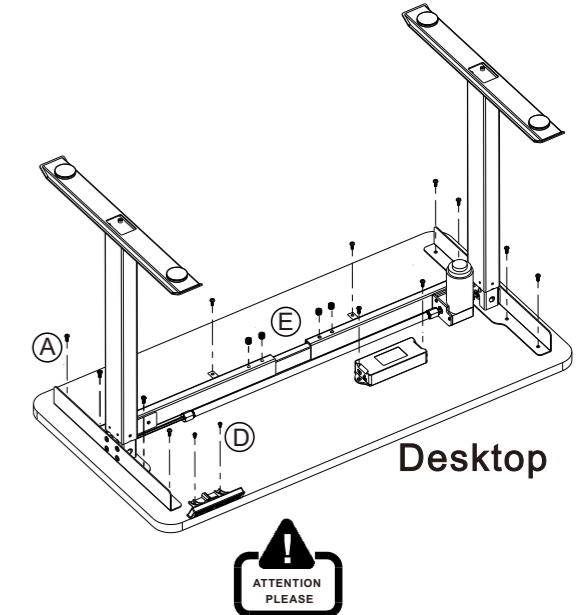
- ④ Frame *1
- ⑤ Side Bracket *2
- Ⓑ M6×8 Screws *14

STEP 3:



- ⑥ Motor Rod *1

STEP 4:



- Ⓐ M5×18 Screws *12
- Ⓓ M4×12 Screws *2
- Ⓔ M8×8 Screws *4