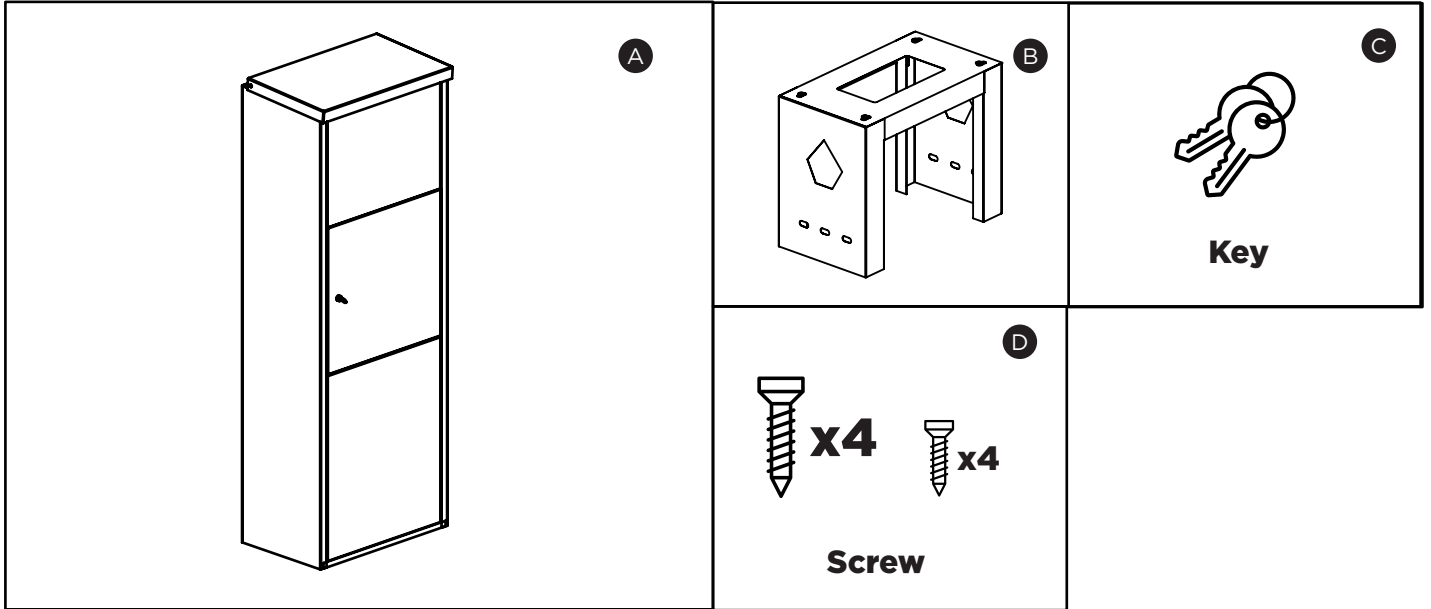
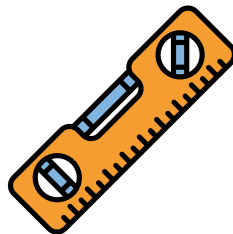
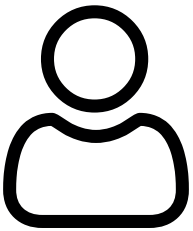


Box Contents



One Person Montage



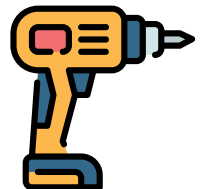
Water Level



Shovel

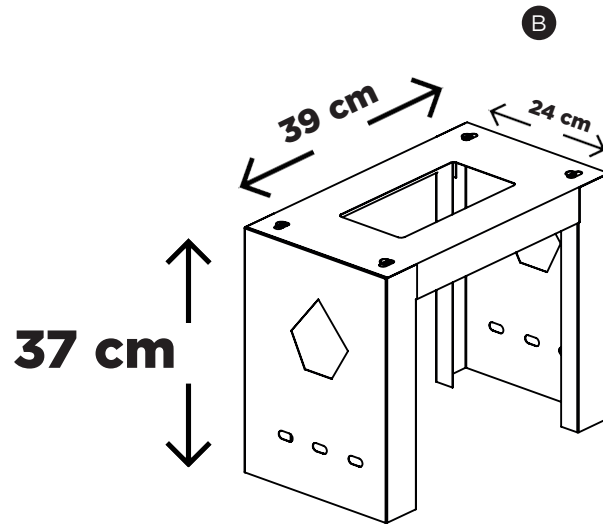


Hoe

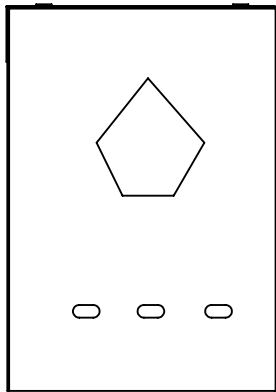


Drill

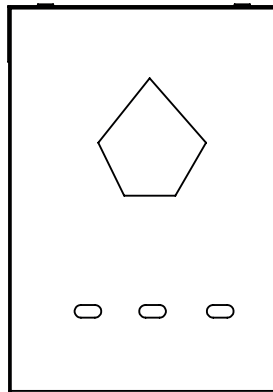
1



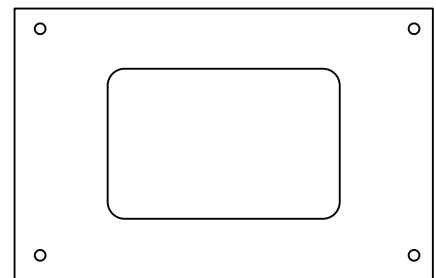
A1 - Left Side



B1 - Right Side

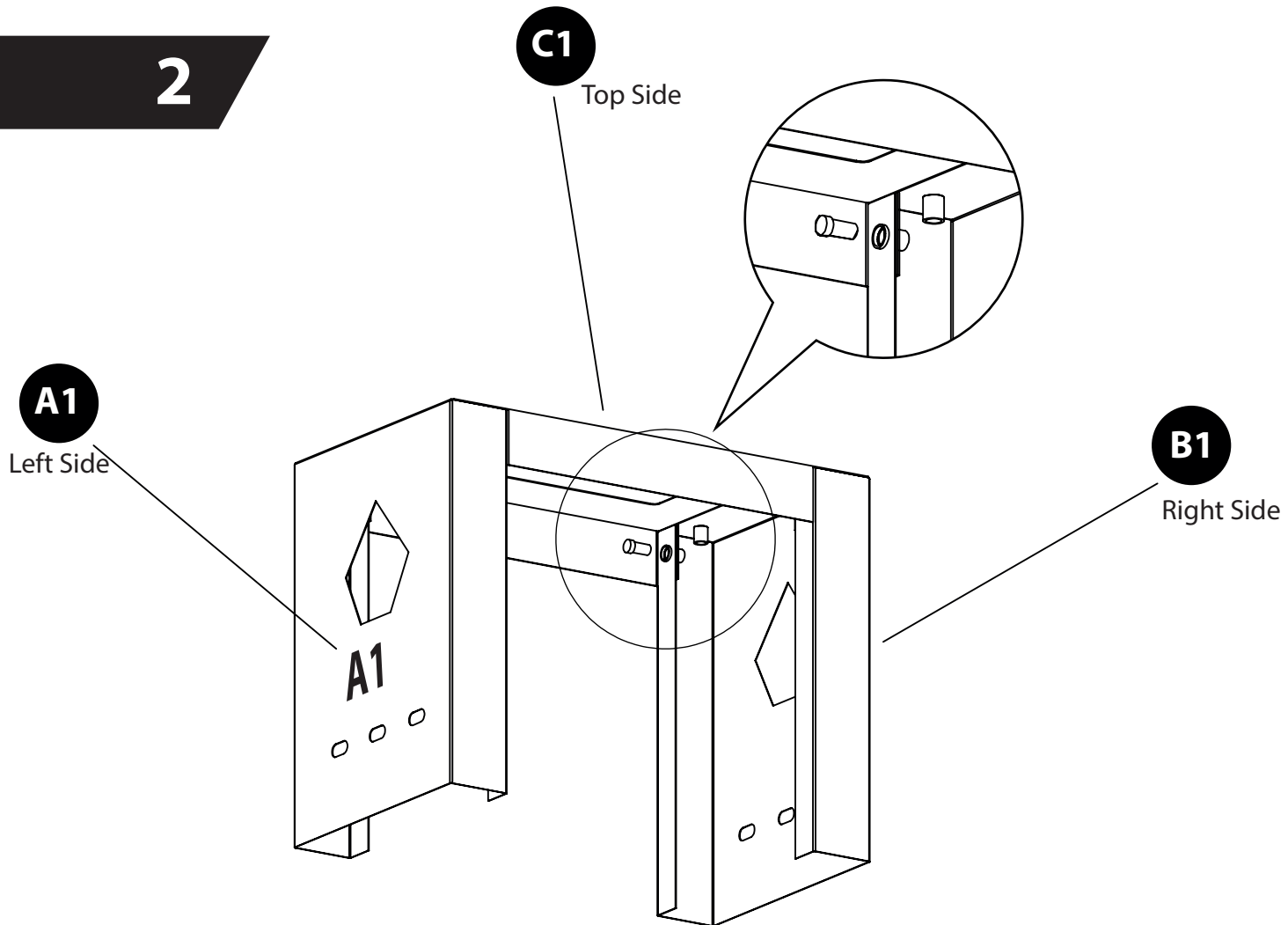


C1-Top



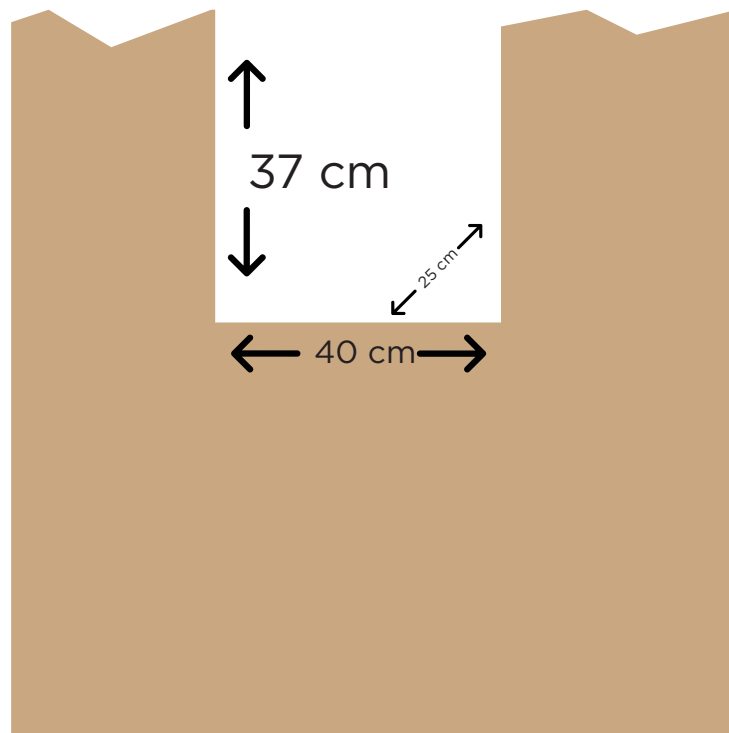
The underground part of the product consists of 3 parts.

2



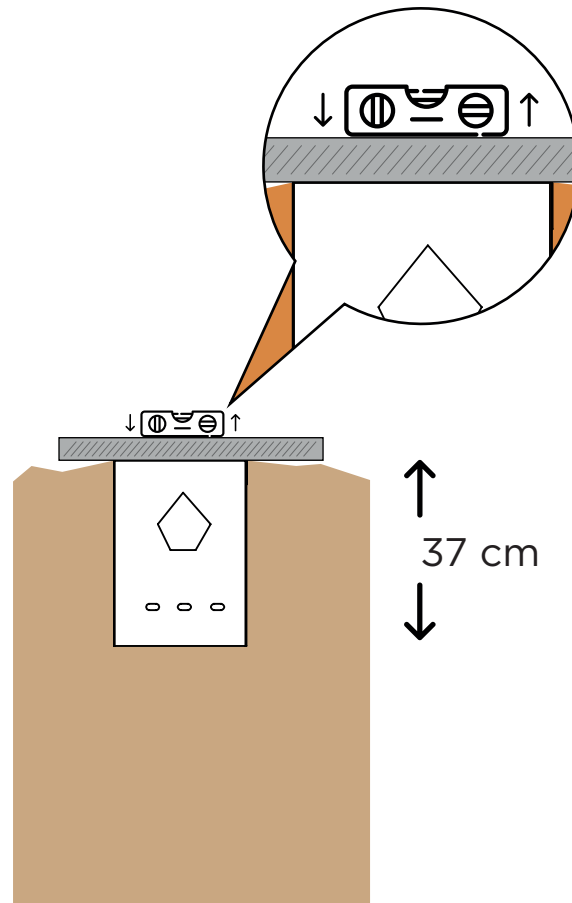
It will be joined together in 3 pieces with 4 screws.

3



Make a hole 40 cm wide, 25 cm depth and 37 cm length where you want to put the mailbox.

4

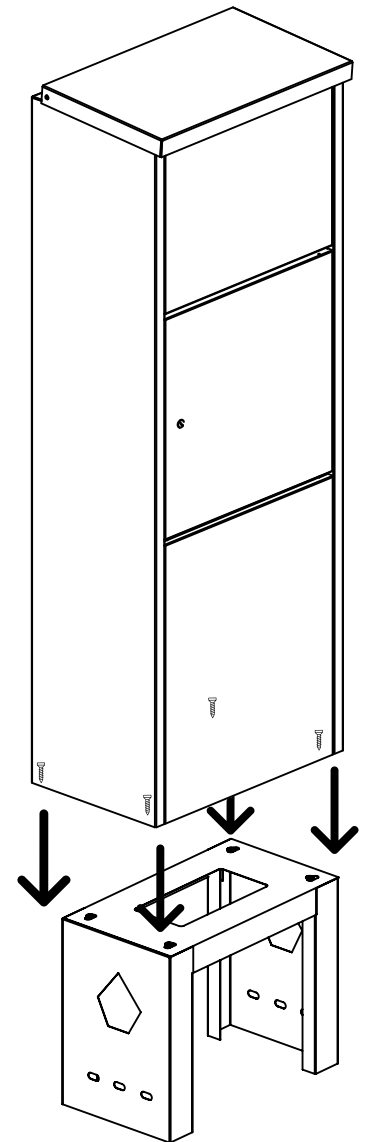
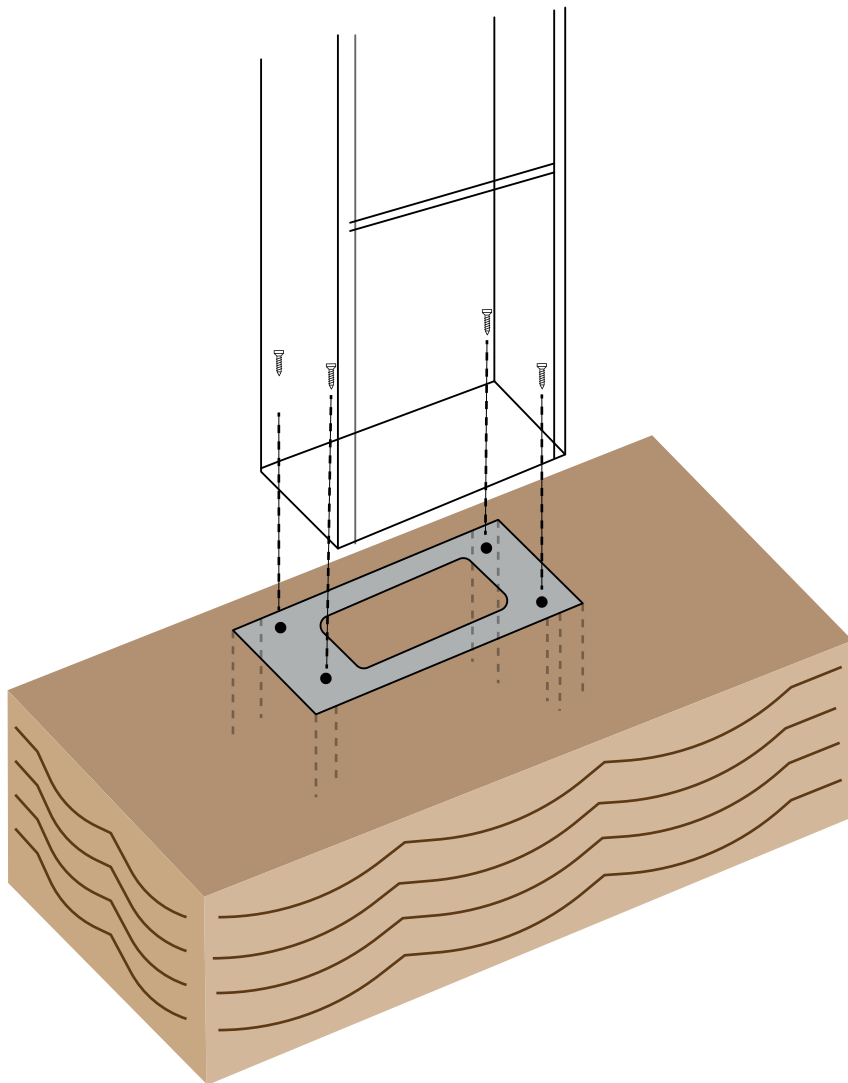


The tripod should be placed in the ground with the help of a spirit level. Afterwards, the tripod is fixed to the ground with the help of the removed soil, sand or concrete.

Required Tools



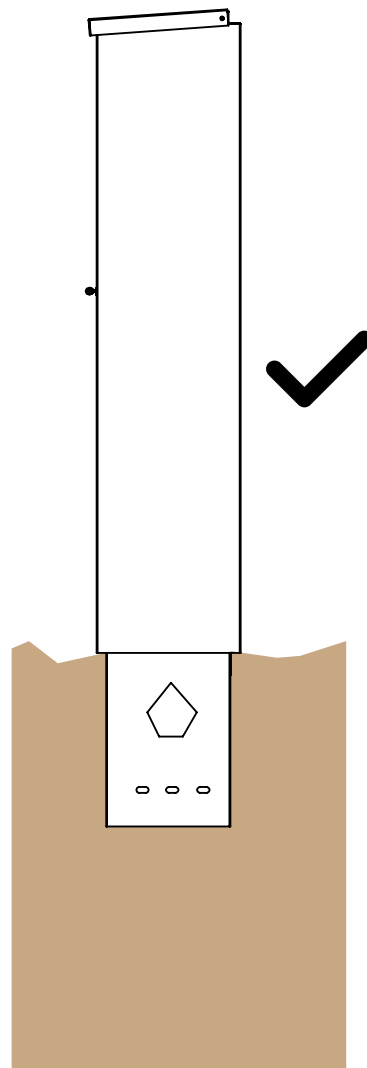
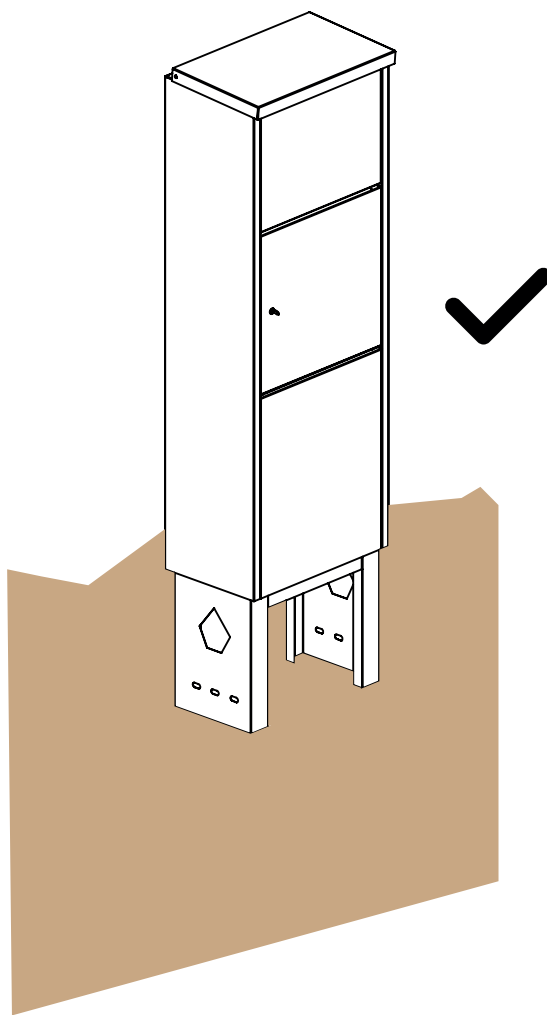
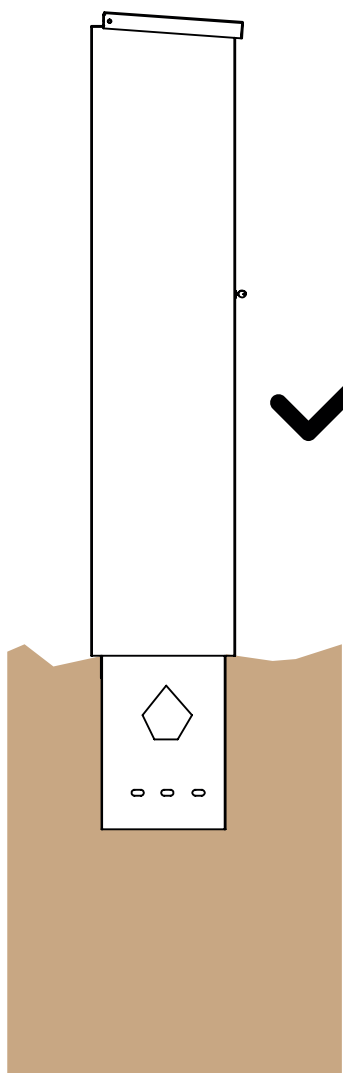
5



After the tripod is fixed to the ground, the mailbox is placed on the tripod. With the help of 4 screws from the inside of the mailbox, the tripod and the upper part of the mailbox are combined.

6

6



veehaus

📍 Aydam BV Industrieweg 6 E
4104 AR Culemborg Nederland

🌐 www.veehaus.eu

✉ info@veehaus.eu