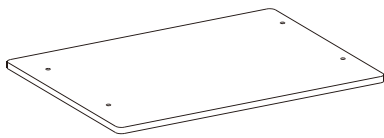
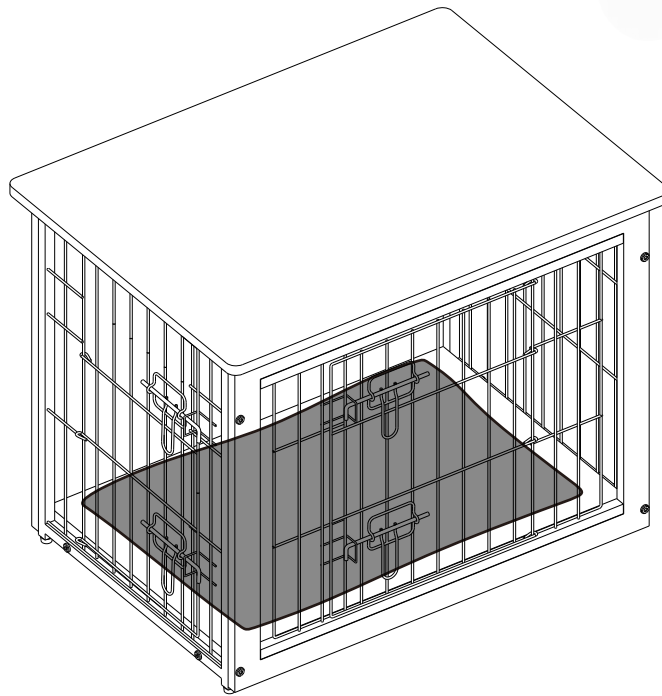
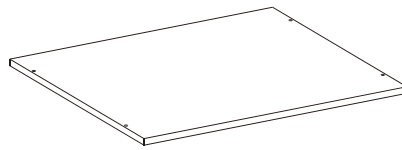


ABOUT TOPMAST

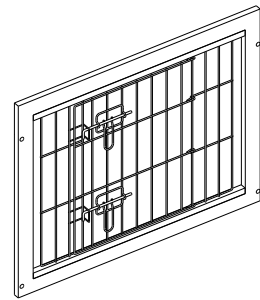
With Topmast, you can pamper your pet while feeling confident that their products are made with your pet's well-being in mind. Topmast is a brand that you can trust to provide the very best for your furry friend.



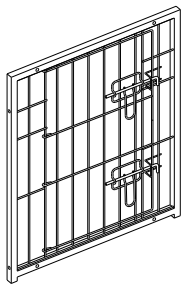
A x 1



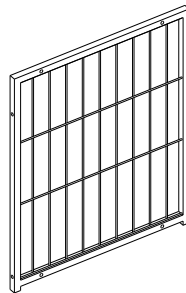
B x 1



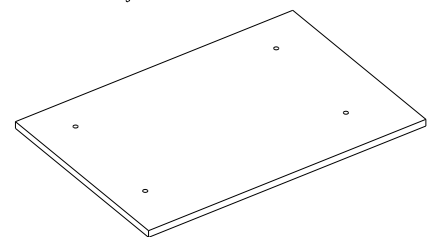
C x 1



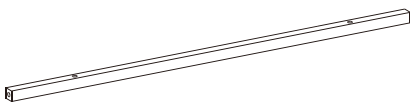
D x 1



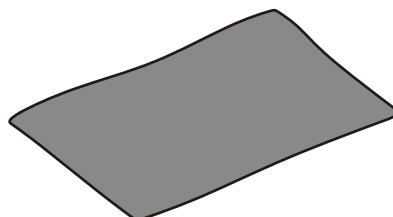
E x 1



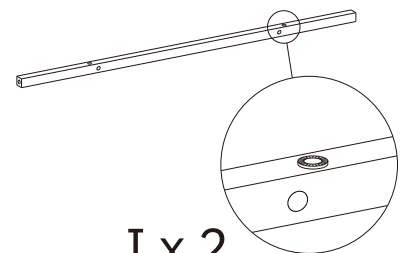
F x 1



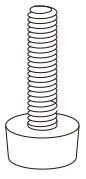
G x 2



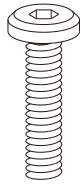
H x 1



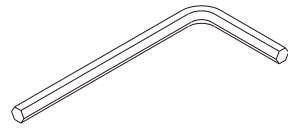
I x 2



J x 5

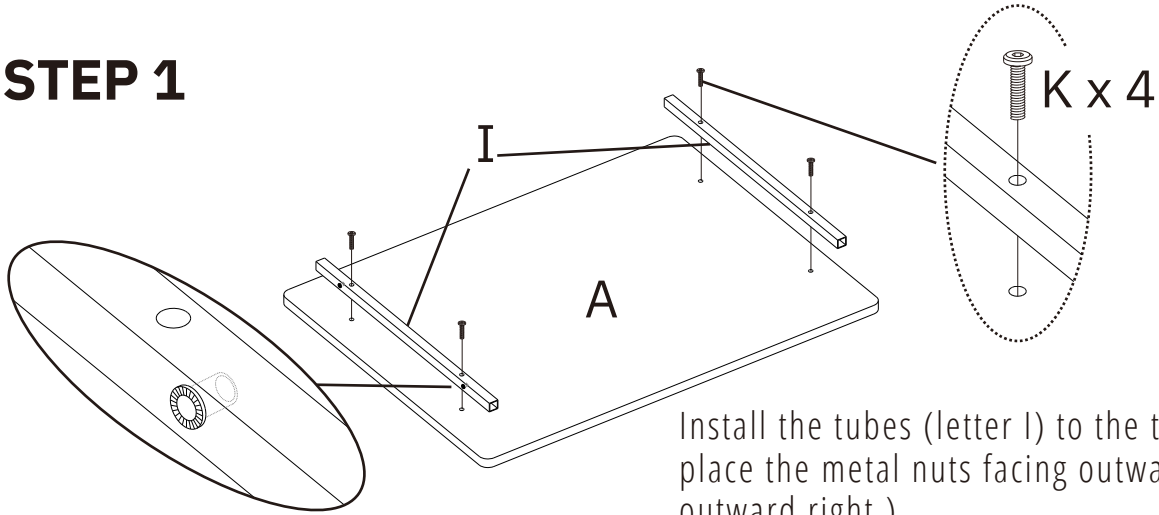


K x 26



M x 1

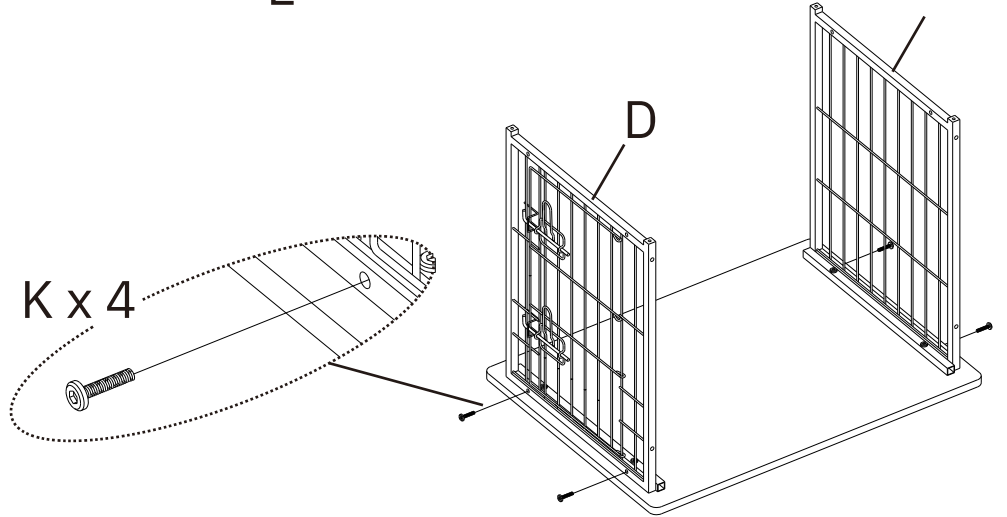
STEP 1



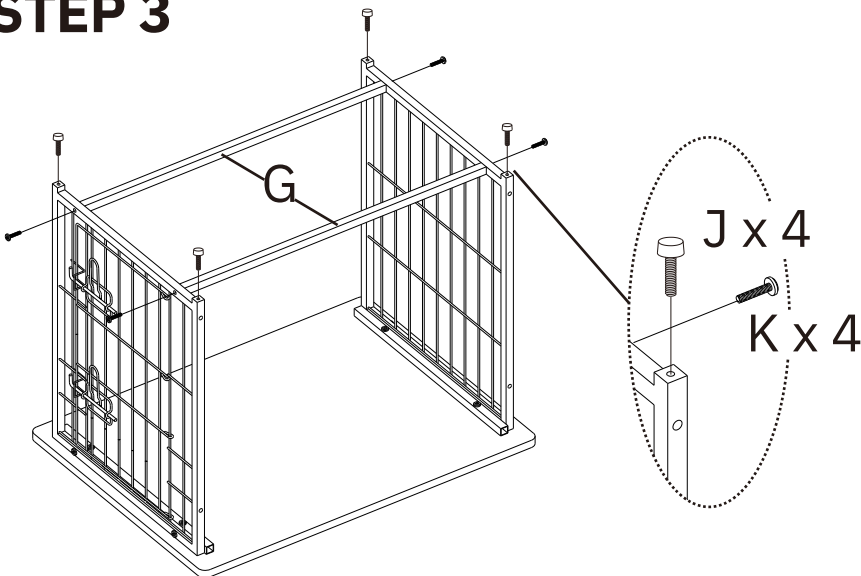
Install the tubes (letter I) to the top plate A. (Note: place the metal nuts facing outward left and outward right.)

STEP 2

Install panel D and E on the tubes (letter I); (Note: Do not swing panel D or E.)

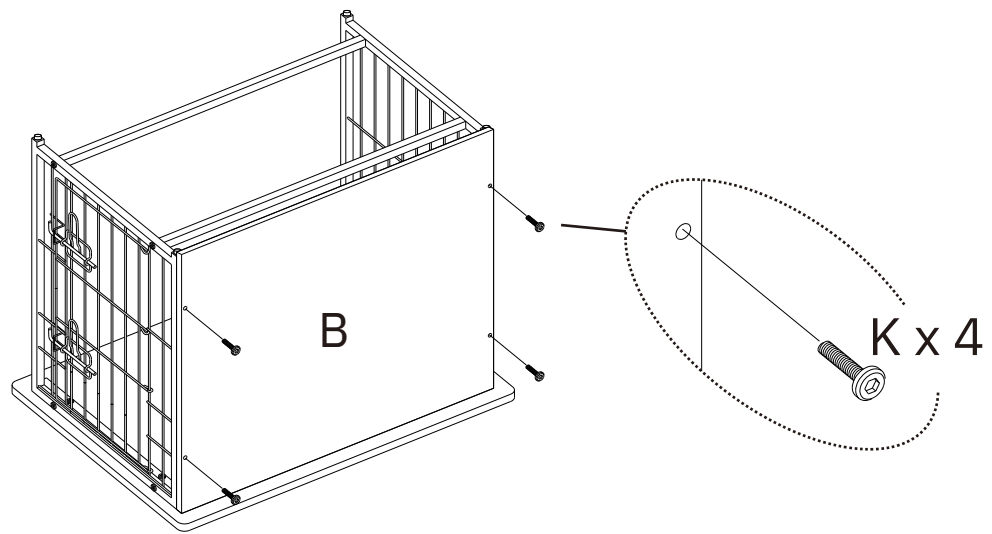


STEP 3



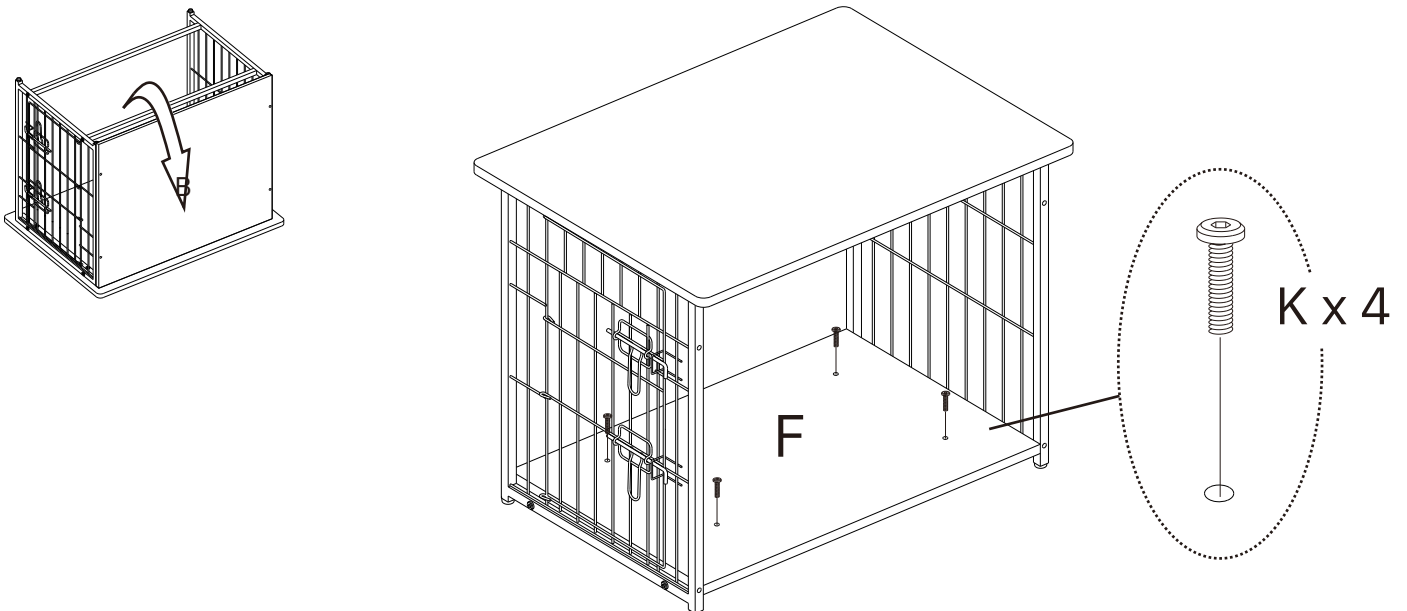
Connect panel D and E with tubes (letter G), metal nuts facing panel A, then install leveling feet. (Note: hold tube G with one hand, screw with the other hand, install one tube first, then the other, and finally tighten the 4 screws.)

STEP 4



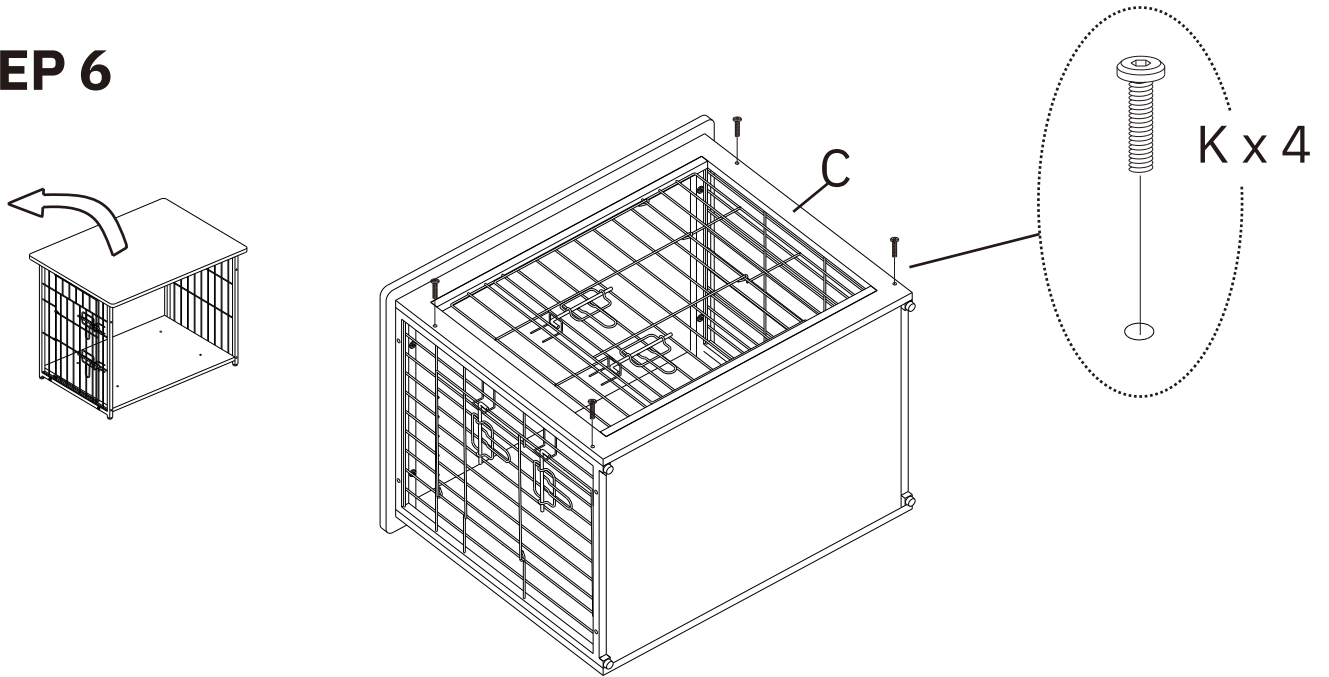
Connect panel D and E with backplane B.(Note: Because panel B has a corrective effect,so please align the 4 holes with 4 screws first and then tighten the 4 screws).

STEP 5



Rotate 180°to square the product and install the base plate F to the tube G.(Note: Because panel F has a corrective effect,so please align the 4 holes with 4 screws first and then tighten the 4 screws.)

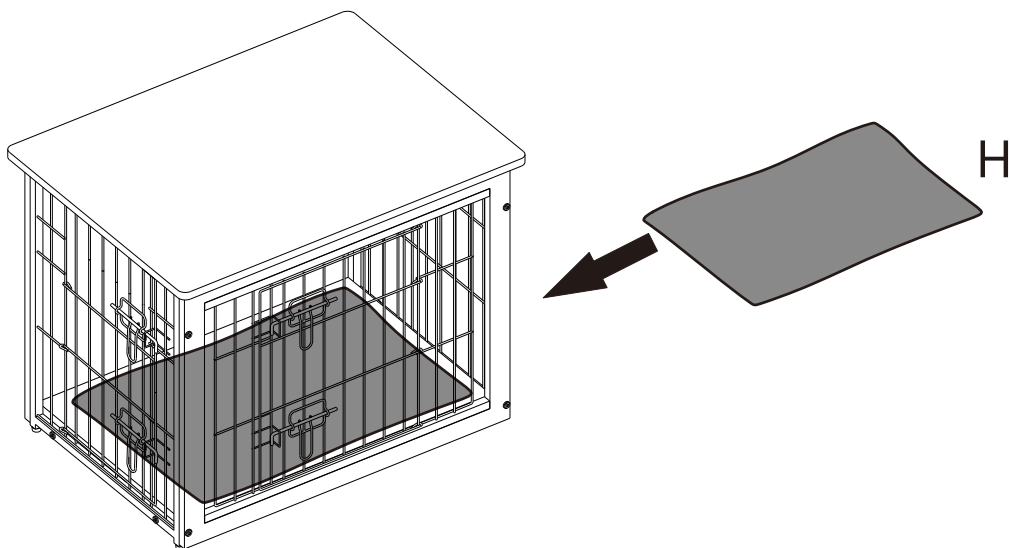
STEP 6



Rotate 90° to put the product down and connect panel D and E with front panel C. (Note: Because panel C has a corrective effect, so please align the 4 holes with the 4 screws first, then tighten the 4 screws.)

STEP 7

Rotate 90° to square up the product, open the door and put the mat H in.



Warm tips:

1. Because the holes in panels D and E are identical, you can swap the positions of panels D and E to meet your different directions.
2. If you need any help, please contact Topmast customer service team, we are honored to serve you!