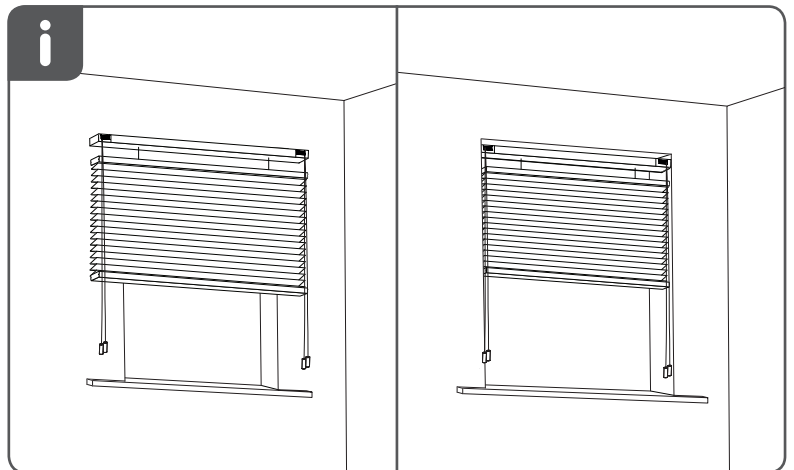
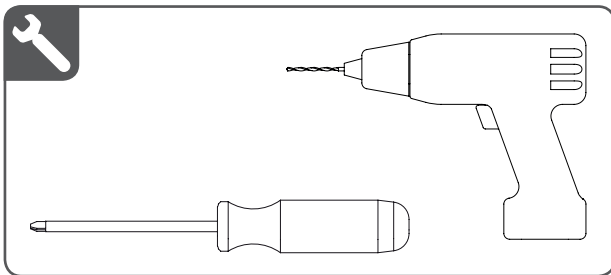
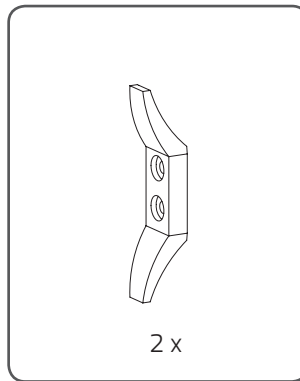
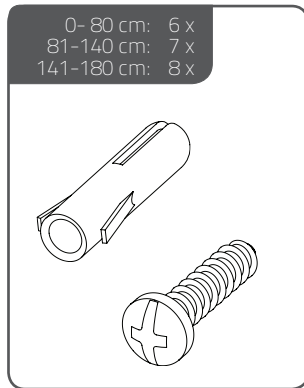
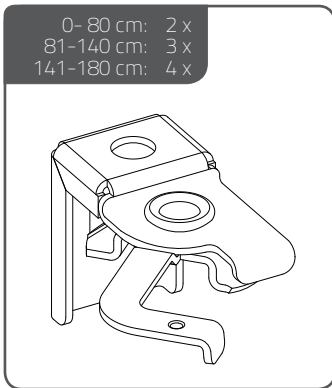
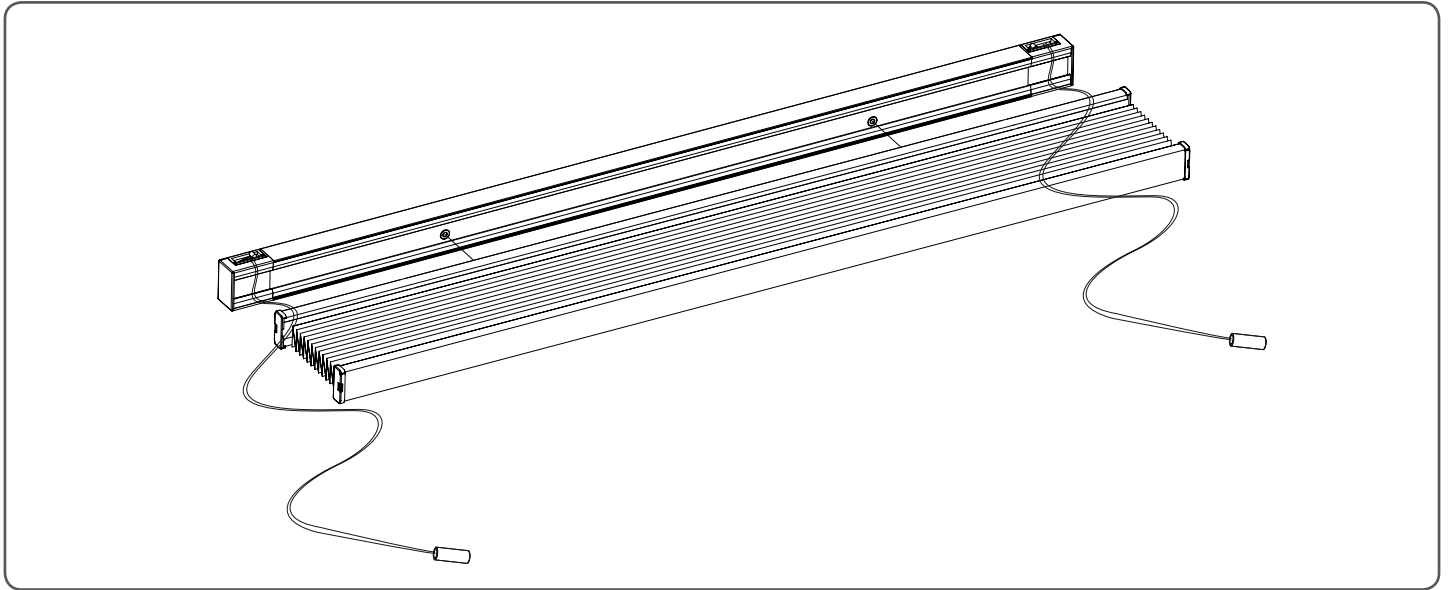


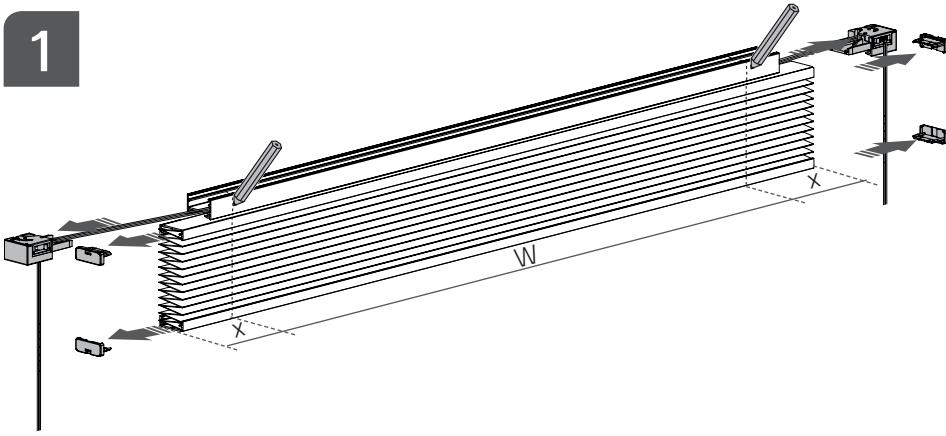


Assembly guidance Pleated Cordlock

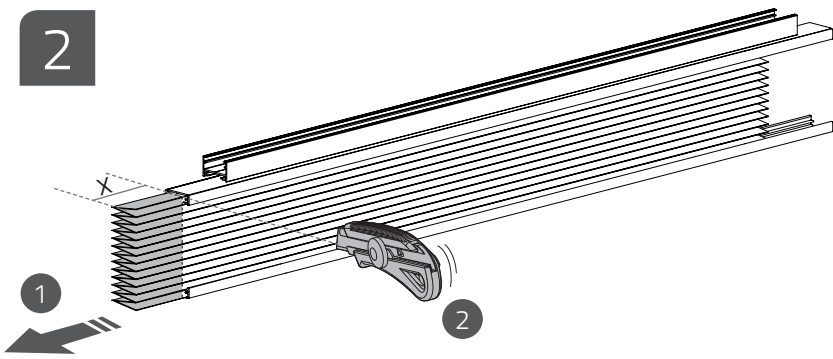




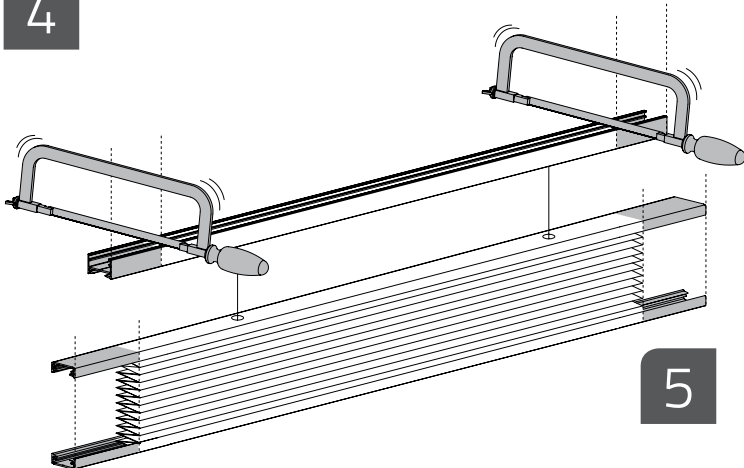
1



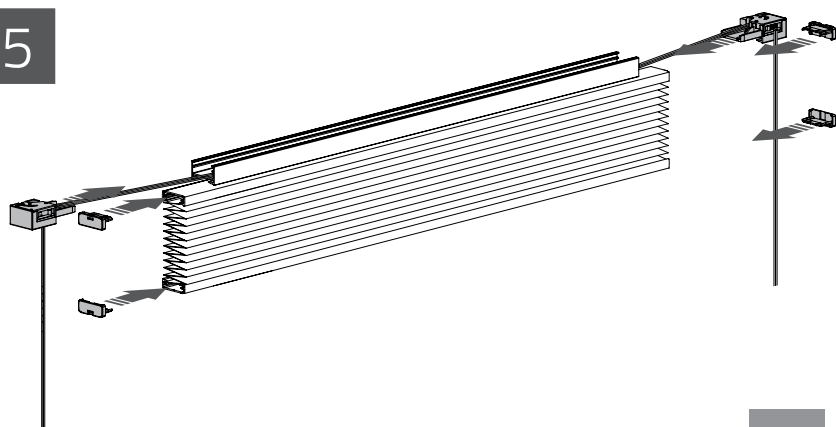
2



4



5



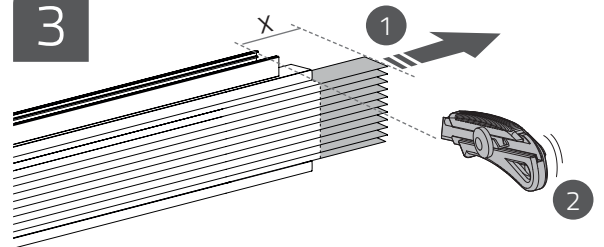
i

W

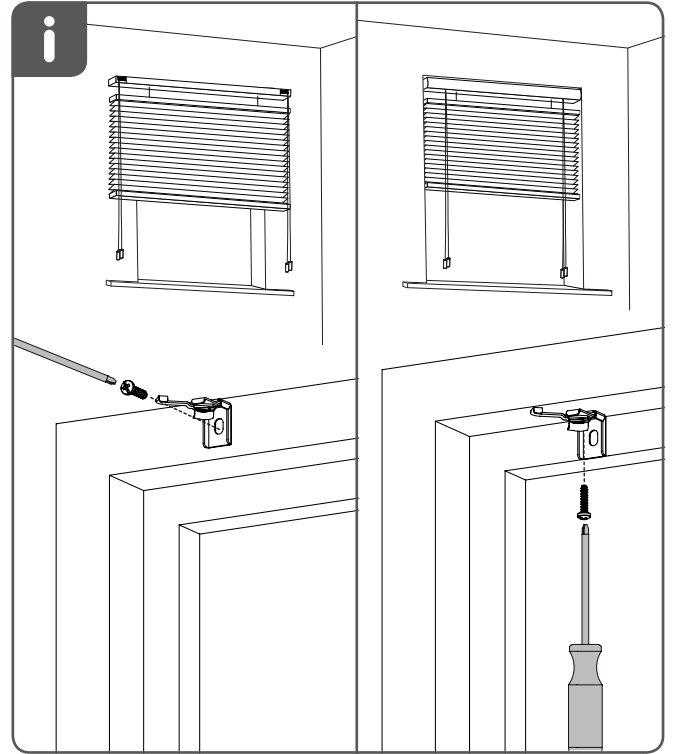
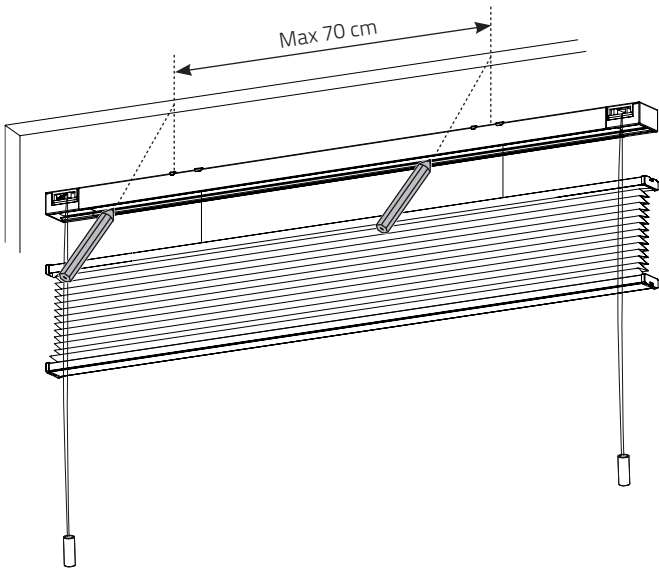
W

| W | X max | W min |
|------|-------|-------|
| 400 | 40 | 320 |
| 600 | 110 | 380 |
| 800 | 110 | 580 |
| 1000 | 110 | 780 |
| 1200 | 110 | 980 |
| 1400 | 110 | 1180 |
| 1600 | 110 | 1380 |

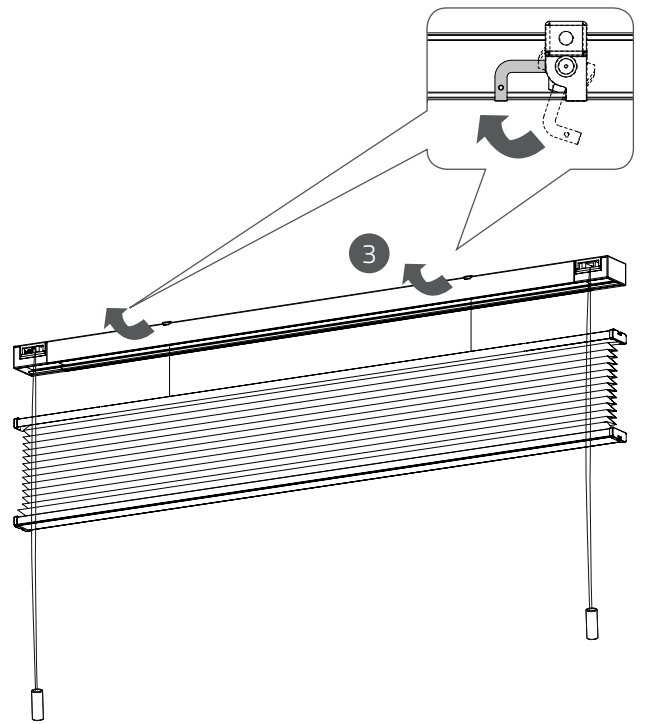
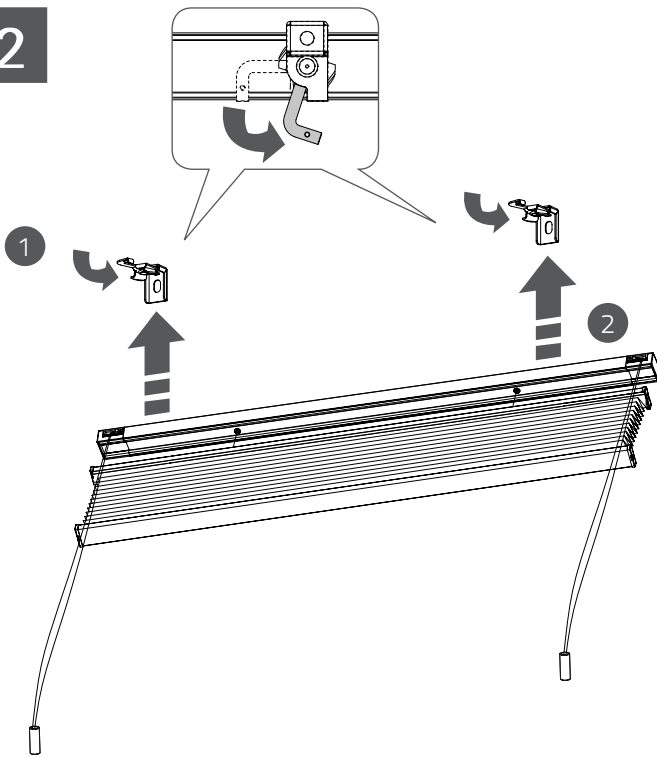
3



1



2



i

