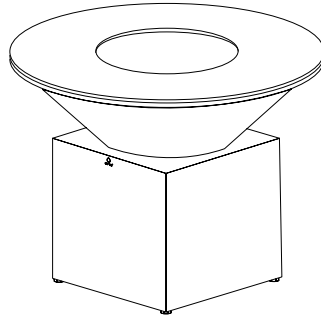
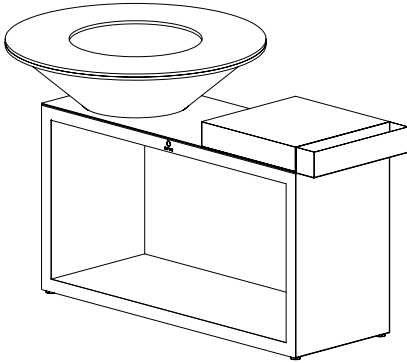
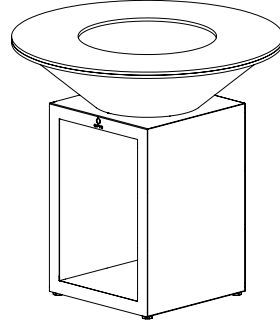
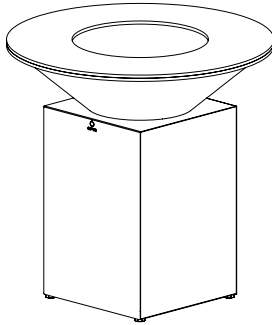




OFYR®

MANUAL



OFYR COOKING UNITS - CLASSIC





EN	Your language can be found from page	4
DE	Ihre Sprache finden Sie ab Seite	18
FR	Trouvez votre langue à partir de la page	32
NL	Uw taal begint op pagina	46
ES	Su idioma comienza en página	60
IT	Le vostre lingue inizia a pagina	74



EN Your language not found? Please take a view with this QR-code.
DE Ihre Sprache nicht gefunden? Mit diesem QR-Code erhalten Sie weitere Information.
FR Vous ne trouvez pas la langue qu'il vous faut ? Veuillez utiliser ce code QR.
NL Uw taal niet gevonden? Probeer eens met deze QR-code.
ES ¿No encuentra su idioma? Eche un vistazo con este código QR.
IT Non hai trovato la tua lingua? Dai un'occhiata con questo QR-code.



TABLE OF CONTENT

1. INTRODUCTION	6
1.1 OFYR® Classic 85 and 100, Corten or Black or Concrete (only 100)	6
1.2 OFYR® Classic Storage 85 and 100, Corten or Black	6
1.3 OFYR® Island 85 and 100, Corten or Black	6
1.4 OFYR® XL	6
2. SAFETY AND SETUP INSTRUCTIONS	7
3. USE	8
3.1 Firewood	8
3.2 Storage space	9
3.3 Make a fire	9
3.4 First time use	10
3.4.1 First fire	10
3.4.2 Which cooking oil to use	10
3.4.3 Time needed to heat the cooking plate	10
3.4.4 Removing factory oil from the cooking plate	10
3.4.5 Managing the fire	10
4. FIRST COOKING	11
5. EXTINGUISHING THE FIRE AND REMOVING ASHES	11
5.1 Extinguishing the fire	
5.2 Removing ashes	
6. MAINTENANCE TIPS	11
6.1 The cooking plate	11
6.2 The cone	12
6.3 The base	12
6.4 Black products	13
7. DISCLAIMERS	13
7.1 Safety and setup-, intended use- and maintenance instructions/tips	13
7.2 Corten steel	13
7.3 Black-coated steel	13

8. WARRANTY TERMS PER ELEMENT	14
<hr/>	
9. WOODEN BLOCKS	14
<hr/>	
9.1 Intended use	14
9.2 Maintenance tips	15
10. CERAMIC BLOCKS	15
<hr/>	
10.1 Intended use	15
10.2 Maintenance tips	15
11. ASSEMBLY INSTRUCTIONS	16
<hr/>	
11.1 Assembly instructions - OFYR® Classic 85 and 100, Corten and Black, OFYR® Classic Storage 85 and 100, Corten and Black, and OFYR® XL	16
11.2 Assembly instructions - OFYR® Island 85 and 100, Corten and Black	17

SYMBOLS & ICONS



Danger! Risk of serious or deadly injury or severe product damage.



Warning! Risk of injury or product damage.



Notice! Useful information.

1. INTRODUCTION

THANK YOU FOR PURCHASING AN OFYR® PRODUCT. THIS MANUAL IS INTENDED FOR YOUR OFYR® CLASSIC (85 OR 100, CORTEN OR BLACK), OFYR® CLASSIC STORAGE (85 OR 100, CORTEN OR BLACK), OFYR® CLASSIC CONCRETE 100, OFYR® ISLAND (85 OR 100, CORTEN OR BLACK, TEAK WOOD BLOCK OR CERAMIC DARK GREY BLOCK) AND OFYR® XL.

1.1 OFYR® CLASSIC 85 AND 100, CORTEN OR BLACK OR CONCRETE (ONLY 100)

These outdoor Cooking Units consist of a closed base in either Corten steel, Black-coated steel or Concrete (only 100), a cone in Corten steel or Black-coated steel, as well as a black steel cooking plate.

.....

1.2 OFYR® CLASSIC STORAGE 85 AND 100, CORTEN OR BLACK

These outdoor Cooking Units consist of an open base for under-counter wood storage and cone, both in Corten steel or Black-coated steel, as well as a black steel cooking plate.

.....

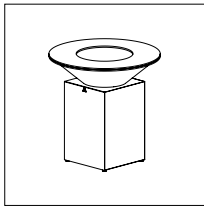
1.3 OFYR® ISLAND 85 AND 100, CORTEN OR BLACK

These outdoor kitchen like outdoor Cooking Units consist of an open base for under-counter wood storage, a handy accessories tray and a cone, all three in both Corten steel or Black-coated steel, a black steel cooking plate as well as a chopping board in either Teak wood or Ceramic dark grey.

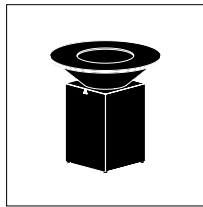
.....

1.4 OFYR® XL

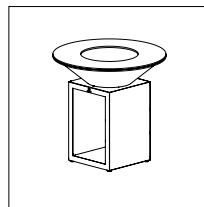
This outdoor Cooking Unit does consist of a closed base and cone, both in Corten steel, as well as a black steel cooking plate.



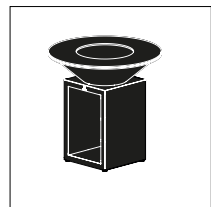
OFYR® Classic
Corten



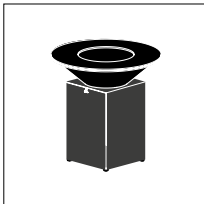
OFYR® Classic
Black



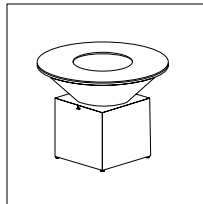
OFYR® Classic
Storage Corten



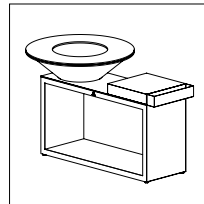
OFYR® Classic
Storage Corten



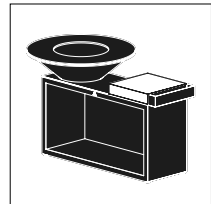
OFYR® Classic
Concrete



OFYR® XL



OFYR® Island
Corten



OFYR® Island
Black

2. SAFETY INSTRUCTIONS



Due to the considerable weight of the elements unpacking and placing of the product should be done by at least 2 people. In case of the OFYR® XL even 4 people.



To prevent the formation of blurs on the edges of the steel cooking plate of your OFYR® Cooking Unit, do not roll the cooking plate during transport. As a result of blurs the top can no longer be scraped down properly with the spatula.



While the corrosion is still superficial, the Corten steel elements may cause orange stains on clothes, skin, and the surface they stand on. When it rains, corrosive water may also run off these elements, which may permanently stain light-toned stone or wooden surfaces.



When placing the cooking plate on the cone with 2 people (the XL with 4 people), the safest way is to place it halfway and then pull it over the cone from one side until it clicks into place. If the cooking plate does not fit the cone levelly, you can turn it until the ring settles over the cone. We recommend the use of gloves when placing the cooking plate. Also please be careful not to stain your clothes when touching the Corten steel elements.



The OFYR® Cooking Units Black and Concrete are more sensitive to damage during setup and use because of its coating. The edges of the Concrete base are very vulnerable during setup.



Only place your OFYR® Cooking Unit on a hard, leveled, heat resistant and stable surface.



Do not shift the OFYR® Cooking Units after they are set up. This may cause damage to the adjustable feet or the rivet nuts with which they are attached.



Do not use the adjustable feet to change the overall height of your OFYR® Cooking Unit. The unit may become unstable if the adjustable feet are extended by more than 10mm.



The use of pure alcohol, petrol or other chemical substances when lighting or re-lighting fires is very dangerous and may affect the food on the cooking plate. Only use firelighters that comply with EN 1860-3.



Never leave your OFYR® Cooking Unit unattended during use.



Keep children and pets away from the OFYR® Cooking Unit during use and after use when the unit is still warm.



Never use an OFYR® Cooking Unit indoors or in a partially or fully closed-off space. This causes an excess of dangerous fumes that may result in carbon monoxide poisoning.



Make sure that the area around your OFYR® Cooking Unit is clear of any flammable materials.



When using tropical hardwood for heating your OFYR® Cooking Unit, only use smaller quantities at the same time. The amount of heat generated by this type of wood is such, that larger quantities used at the same time will cause the cooking plate to warp.



Ashes can stay very hot for a long period of time. Sometimes even for more days. Therefore, before disposing of your ashes in a regular bin, always first put them in an empty zinc bin and throw water over them so that they are completely wet. Only then dispose of them in your regular bin.



Never extinguish the fire using water

3. USE

THE ITEMS MENTIONED BELOW ARE ALSO EXPLAINED THROUGH VIDEOS ON WWW.OFYR.COM.

3.1 FIREWOOD

- Use very dry wood with max. 20% humidity.
- Our preferred wood is beech wood which becomes thick charcoal. Ash wood also works well.
- Be very careful with using tropical hardwood which becomes very hot. When using too much of it the plate might warp (see Fig. 1).
- Also charcoal can be used but preferably in combination with firewood.



With the OFYR® Gloves the mass of coals is easily shifted around if you want to direct the heat elsewhere (see Fig.2).

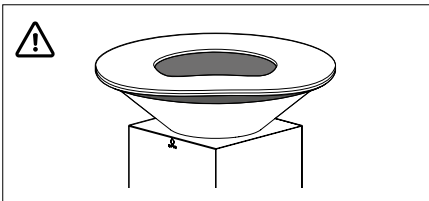


Fig. 1 - Warped cooking plate due to using too much tropical hardwood at the same time

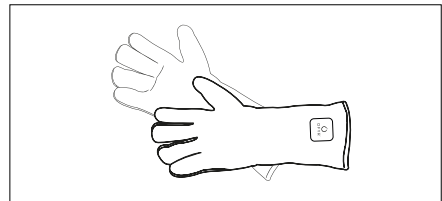


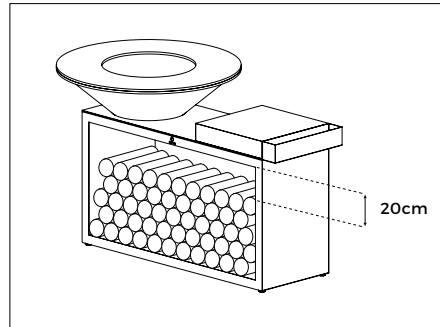
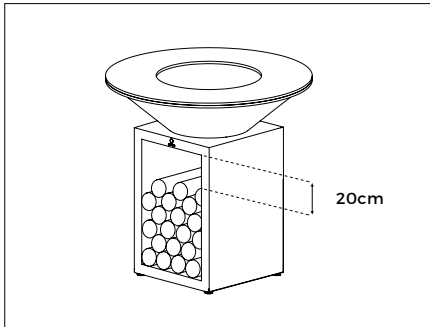
Fig. 2 - OFYR Gloves

3.2 STORAGE SPACE

When storing logs or other items in the storage space of your OFYR® Classic Storage or your OFYR® Island, always leave a free space of at least 20cm below the cone, because the plate under the cone becomes very hot.



When placing logs or other items closer to this very hot bottom, they can catch fire, which can cause very dangerous situations.



3.3 MAKE A FIRE

Stack the pieces of wood two by two, as if you were building a log cabin (see Fig. 3), with the bark facing outwards to further prevent smoke formation.



Smoke formation when lighting a fire or when adding new firewood can be prevented for the most part by using our OFYR® Buffadoo blowpipe (see Fig. 4), causing the new wood to catch fire almost instantly.



The ideal size for the logs is around 10 x 30 cm. We advise against using larger pieces of wood. These do tend to catch fire quickly, but generally do not burn down properly due to the lack of space for oxygen in the cone.



For an evening of cooking (4-5 hours) you will need in average around two OFYR® Wood Bags of around 50 liters each, depending on the outdoor temperature and the weather conditions.

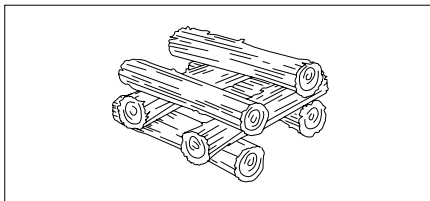


Fig. 3 - Stack the pieces of wood two by two.

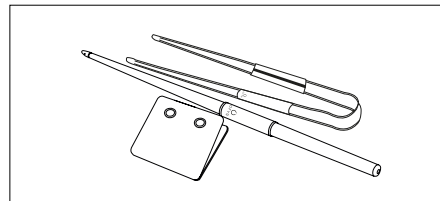


Fig. 4 - OFYR Buffadoo set

3.4 FIRST TIME USE

3.4.1 First fire

Please proceed as mentioned above, but it is important to light a smaller fire for roughly 30 minutes to allow the cooking plate to settle properly. During manufacture, the middle of the cooking plate was pressed down just slightly. When the cooking plate is heated, it will bend down even further, but if you light too big a fire during your initial use of your OFYR® Cooking Unit, this may cause the cooking plate to bend down too far during future use. It is very important to prepare the cooking plate properly using the procedure outlined above. In some cases, the cooking plate may instead bulge upwards in the middle and thus become convex (see Fig. 5). This means the steel is incorrectly stressed. If this happens, please contact your dealer.

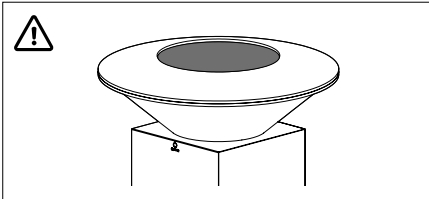


Fig. 5 - Upwards bulged cooking plate

3.4.2 Which cooking oil to use

It is best to use vegetable oil. We recommend using olive oil the first 2-3 times you use your OFYR® Cooking Unit. Olive oil has a lower combustion point, which will help the cooking plate get a nice brown-black hue. After the first few uses, you can start using oil types with higher combustion points, such as sunflower oil or groundnut oil.

3.4.3 Time needed to heat the cooking plate



The outdoor temperature is an important factor for the time needed to heat the cooking plate properly. This time can range from 25-30 minutes during spring and summer to 45-60 minutes during fall and winter. The cooking plate is 12mm thick, so it needs a decent fire to heat the plate properly.

3.4.4 Removing factory oil from the cooking plate

Once the cooking plate is really well heated, drizzle on olive oil and spread it with a kitchen towel. The olive oil will mix with the factory oil and will make it easy to remove the factory oil. If olive oil is put on the plate when this is not well heated, what comes off is a sticky black substance that is not easy to remove. Drizzle on olive oil 2-3 times. Then scrape down the cooking plate with the supplemented spatula and push the scrapings into the fire. We also have a PRO spatula in our product range for intensive use in a professional environment. Once all you can manage to scrape off is beige scrapings, the cooking plate is clean and ready for use. Simply drizzle on olive oil once more and spread it out and start cooking!

3.4.5 Managing the fire

Depending on the weather conditions and the outdoor temperature, the cooking plate will reach a temperature of around 300 °C on the inner edge and around 200 °C on the outer edge. To do so, build a fire using the wood cabin method mentioned above. Once your initial fire's wood is burning properly, spread out the hot mass under the edges of the cooking plate and add new wood in the middle with the bark facing up. Repeat the process for the entire duration that you wish to keep the cooking plate hot. You will notice that it will take a lot more wood during autumn and winter to keep the cooking plate hot than during spring and summer. If there is a breeze, the cooking plate will be hottest where the wind leaves the OFYR® Cooking Unit, i.e. in the direction of the wind. You can compensate for this by pushing more hot coals into the opposite direction.

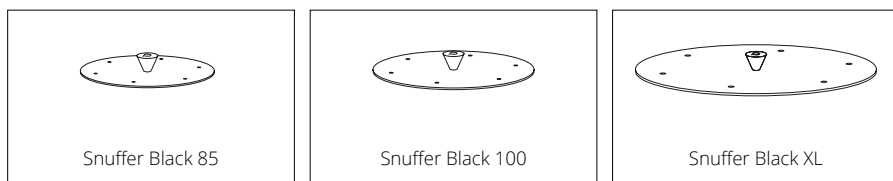
4. FIRST COOKING

ON WWW.OFYR.COM THERE ARE VARIOUS SHORT VIDEOS EXPLAINING COOKING TECHNIQUES FOR OFYR. OUR OFYR COOKBOOK "THE ART OF OUTDOOR COOKING" CONTAINS 72 EASY-TO-FOLLOW RECIPES FOR HOME USE WITH SIMPLE, TASTY INGREDIENTS.

5. EXTINGUISHING THE FIRE

5.1 EXTINGUISHING THE FIRE

The best way is to let the fire die out on its own. For safety reasons the flames can be covered by the Snuffer 85, 100 and XL. However, the fire will not die out when the Snuffer is put on the plate, because there is still some air supply. When covering the fire for a longer period of time with the Snuffer, such will cause strong smoke formation. When then removing the Snuffer, such might lead to sudden and big flames due to sudden air supply. Hot ashes and charcoal that remain from the burned down firewood, can be covered by the Snuffer in order to avoid these to be blown away.



5.2 REMOVING ASHES

Ashes can stay very hot for a long period of time. Sometimes even for more days. Therefore, before disposing of your ashes in a regular bin, always first put them in an empty zinc bin and throw water over them so that they are completely wet. Only then dispose of them in your regular bin.

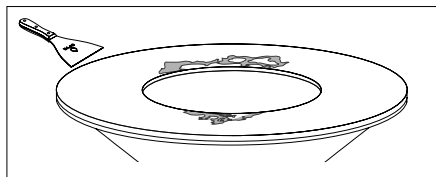
6. MAINTENANCE TIPS

THE ITEMS MENTIONED BELOW ARE ALSO EXPLAINED THROUGH VIDEOS ON WWW.OFYR.COM.

6.1 THE COOKING PLATE

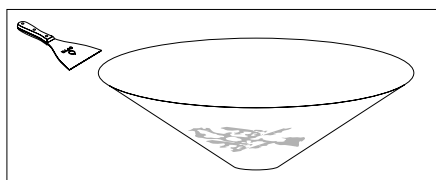
- The cooking plate is made of black steel and will corrode if oil is not properly baked into it. Once the oil has properly been baked in, only minor corrosion will develop. When the cooking plate is not used for longer periods of time, we recommend treating it with oil every 15-30 days. The amount of corrosion does very much depend on the climate. Salty, humid air is obviously much worse than dry air. Because treating a cold cooking plate with cooking oil does not work too easily, using a spray bottle with pan coating is more efficient.

- If you use your OFYR® Cooking Unit a lot, a smooth layer of carbon residue will build up on the cooking plate, making it extra smooth and extra comfortable to use. From time to time, this layer might come off here and there. When you spot it chipping in places, simply scrape off the chips using the spatula, and rub on new oil. The carbon residue layer will gradually renew itself this way.



6.2 THE CONE

- To prevent the cone from getting clogged, the ashes need to be removed after every use.
- If wed ash is left for a too long period in the cone or if the OFYR Cooking Unit is in a very wet or salty region, steel chips may form on both the inside and outside of the Corten steel cones. These chips can easily be removed with the spatula. The video “Maintenance of the OFYR Corten Cone” clearly shows how to proceed.

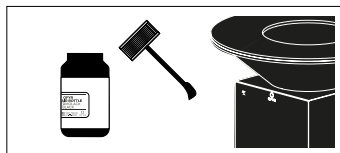


6.3 THE BASE

- While cooking oil splashes may form on the base. From the Corten steel bases these splashes cannot be removed. However, the entire Corten steel base can be treated with oil using a kitchen towel making the splashes invisible. Such treatment will make the entire base darker. When it rains, slightly greasy water may run off the Corten base, which may permanently stain light-toned stone or wooden surfaces.
- The Concrete base has been treated with wax in order to make the surface shiny. Due to weather and sunlight this shiny appearance will disappear over time. Therefore the Concrete comes with additional wax to make the base shiny again.

6.4 BLACK PRODUCTS

- Although the coating of the Black Cooking Units is very strong, it is always possible that scratches will occur. Therefore with every Black Cooking Unit a touch up bottle comes for free, which can be used to repair minor damage.



7. DISCLAIMERS

7.1 SAFETY AND SETUP-, INTENDED USE- AND MAINTENANCE INSTRUCTIONS/TIPS

We are not liable for any injuries or damages as a consequence of not following our safety and setup-, intended use- and maintenance instructions/tips.

7.2 CORTEN STEEL

OFYR® Corten Cooking Units are made of Corten steel: a metal with a natural layer of corrosion that protects against rust perforation. OFYR® Corten Cooking Units come with the additional service that the corrosion process has already started by the time they are delivered. Upon delivery, it takes another 6-12 months for the initial corrosion to turn into a fully protective layer.

- i** The unit's color may change over time as the corrosion process may not yet have fully unfolded. We are not liable for any color changes.
- i** Any Corten steel components that are less corroded than others upon delivery are not eligible for replacement. All components will corrode naturally over time under influence of the weather. We are not liable for any differences of corrosion between different elements.
- i** While the corrosion is still superficial, the Corten steel elements may cause orange stains on clothes, skin, and the surface they stand on. When it rains, corrosive water may also run off these elements, which may permanently stain light-toned stone or wooden surfaces. We are not liable for stains as a consequence of corrosion.

7.3 BLACK-COATED STEEL

- i** Please note that the OFYR® Cooking Units Black have a coating and are thus more sensitive to damage during setup and use. We are not liable for any damage consequential damage resulting from the setup or use of your OFYR® Cooking Unit Black.
- i** Due to weather and sunlight the coating can be subject to discolouration. We are not liable for such discolouration.

8. WARRANTY TERMS PER ELEMENT

A limited lifetime guarantee applies to the material and construction of all OFYR® Cooking units for the original buyers or owners, provided that they purchased their unit from an authorised dealer and registered their warranty in the required manner through OFYR Club at www.ofyr.club.

	B2C	B2B
Cooking Plate	5 years	3 years
Cone Corten steel	2 years	1 years
Base Corten steel	5 years	3 years
Coated steel elements	2 years	1 year
Concrete elements	2 years	1 year
Wooden & Ceramic Blocks	2 years	1 year

This warranty covers manufacturing defects. It applies to the original buyers or owners of an OFYR® Cooking Units Corten and OFYR® Cooking Units Black provided that;

- They purchased their unit from an authorized dealer
- They assembled, used and maintained the OFYR® Cooking Unit according to the instructions in this manual.



NOT COVERED BY WARRANTY

- Wear, corrosion, deformation and discolouration of parts exposed to fire;
- Corrosion and discolouration caused by external influences;
- Visual irregularities inherent to the manufacturing process;
- Damages caused by not following our safety and setup-, intended use- and maintenance instructions/tips.

9. WOODEN BLOCKS

All wooden blocks are made from Teak wood. Teak's high oil content, high tensile strength and tight grain make it particularly suitable where weather resistance is desired.

9.1 INTENDED USE

- Wood is a natural product and should therefore be stored indoors.
- Do not use the wooden boards as a chopping board.
Using sharp objects causes irreparable damage.
- Do not use heavy objects as exerting large forces on the wooden block can cause irreparable damage.

9.2 MAINTENANCE TIPS

- Before the first use: Clean the worktop thoroughly with a mild detergent.
- Use a damp cloth and mild detergent for daily cleaning.
Make sure to clean the block after every use.
- Cleaning of persistent stains: use a damp cloth or a sponge (no scourer) with a mild detergent.
- Clean the wood in the direction of the nerve to retain the quality of the material.
- Dry the block after cleaning.
- All teak wooden boards have been treated with vegetable oil in order to protect them against dirt and humidity. We recommend that users of these products will also treat these boards at least once a year with such oil and in case of frequent use more often.



Do not clean the wooden boards with corrosive substances or clean them in a dishwasher.



The wooden block should be stored indoors, in a dry place with low humidity. Large temperature differences and humidity may cause the wood to warp.

10. CERAMIC BLOCKS

Ceramics are industrially manufactured, baked products. A print is added to the top layer of clay, the main component, which then is baked on an extremely high temperature. Distinctive element of ceramics are its very practical characteristics: it is hygienic and resistant to stains, scratches and heat.

10.1 INTENDED USE

- Ceramics are weather proof and can be stored outdoors on a permanent basis.
- Ceramics are a very compact and tough mass, making it relatively vulnerable for impact damaging. Therefore, be careful with for example heavy objects, because the impact of these falling on a worktop might cause irreparable damage.
- We recommend using a cutting board to prevent your knives from getting blunt.
- Avoid contact with acetone and with extremely aggressive cleaning agents such as metal cleaners, drain cleaners and other products with a pH-value <2 or >12.
- Never stand on the ceramic block.

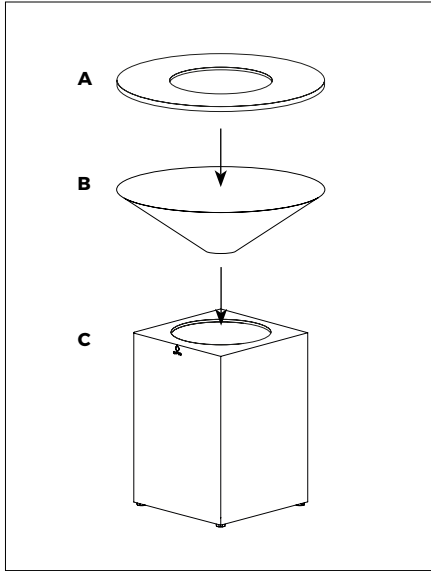
10.2 MAINTENANCE TIPS

- Before the first use: remove possible glue residues with a plastic scraper and clean the worktop thoroughly with a mild detergent.
- Use a damp cloth with a mild detergent for daily cleaning.
Make sure to clean the block after use.
- Clean the block more intensive a few times a year.
- Cleaning of persistent stains: use a mild detergent with a damp cloth or sponge (no scourer).
- Do not clean the blocks in the dishwasher.

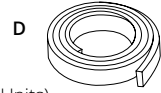
11. ASSEMBLY INSTRUCTIONS

11.1 ASSEMBLY INSTRUCTIONS

OFYR CLASSIC CORTEN / BLACK 85 AND 100, OFYR CLASSIC STORAGE CORTEN / BLACK 85 AND 100, OFYR CLASSIC CONCRETE 100 AND OFYR XL

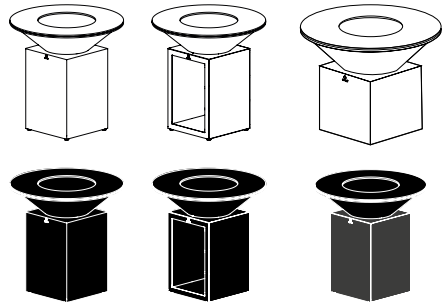


- A Plate
- B Cone
- C Base
- D Felt (Only for the Black Units)

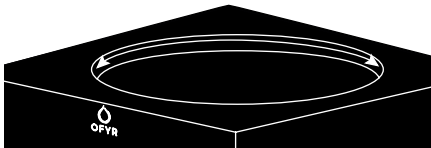


The OFYR Cooking Unit should be placed and assembled by two persons as the components are too heavy for one person to carry.

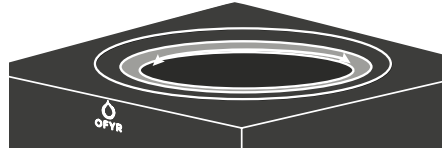
The OFYR XL we strongly advice to be assembled by 4 persons.



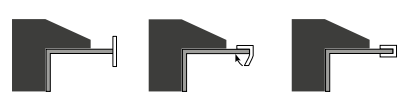
BLACK LINE - PLACE THE FELT



CONCRETE LINE - PLACE THE FELT



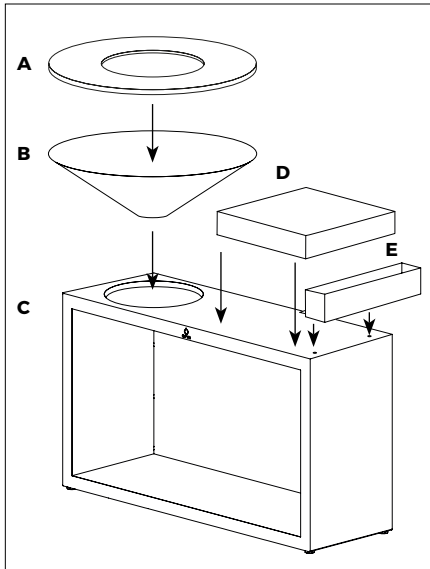
Place the felt on the inner side of the base, disabling direct contact between cone and base.



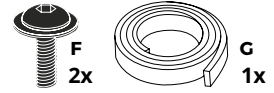
- A. Place the middle part of the felt against the galvanized steel.
- B. Fold the felt equally divided around the galvanized ring.
- C. Then place the cone in the ring.

11. ASSEMBLY INSTRUCTIONS

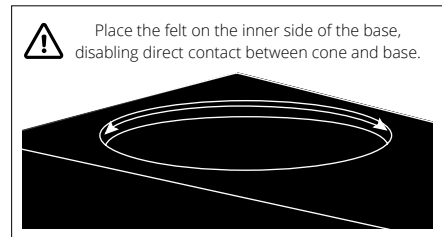
11.2 ASSEMBLY INSTRUCTIONS OFYR ISLAND CORTEN / BLACK 85 AND 100



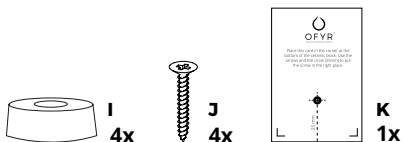
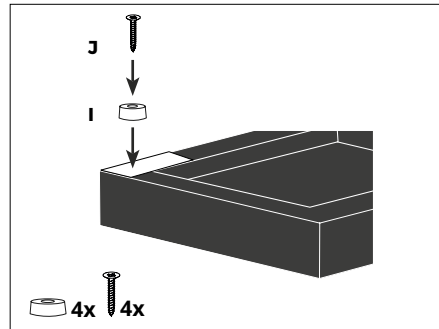
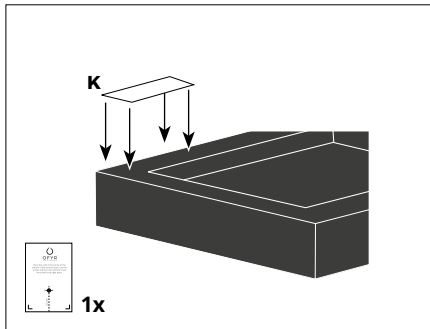
- A Plate
- B Cone
- C Base
- D Block
- E Tooltray
- F Screw for tooltray
- G Felt (Only for the Black Units)



The OFYR Cooking Unit should be placed and assembled by two persons as the components are too heavy for one person to carry.



i Only for ceramic block



INHALTSVERZEICHNIS

1. EINLEITUNG	20
1.1 OFYR® Classic 85 und 100, Corten or Schwarz oder Concrete (nur 100)	20
1.2 OFYR® Classic Storage 85 und 100, Corten oder Schwarz	20
1.3 OFYR® Island 85 und 100, Corten oder Schwarz	20
1.4 OFYR® XL	20
2. SICHERHEITS- UND GEBRAUCHSHINWEISE	21
3. VERWENDUNG	22
3.1 Brennholzablage	22
3.2 Ablage	23
3.3 Feuer machen	23
3.4 Erstmalige Verwendung	24
3.4.1 Das erste Feuer	24
3.4.2 Welches Speiseöl soll verwendet werden?	24
3.4.3 Für die Erwärmung der Grillplatte benötigte Zeit	24
3.4.4 Entfernung von der Schutzwachsschicht (ungiftig)	24
3.4.5 Umgang mit dem Feuer	24
4. ERSTMALIGES GRILLEN	25
5. LÖSCHEN DES FEUERS UND ENTFERNEN DER ASCHE	25
5.1 Löschen des Feuers	25
5.2 Entfernen der Asche	25
6. WARTUNGSTIPPS	25
6.1 Die Grillplatte	25
6.2 Der Kegel	26
6.3 Der Sockel	26
6.4 Schwarze Produkte	26
7. HAFTUNGSAUSSCHLUSS	27
7.1 Sicherheits- und Aufstellungs-, Gebrauchs- und Wartungsanweisungen/Tipps	27
7.2 Cortenstahl	27
7.3 Schwarz beschichteter Stahl	27

8. GARANTIEBEDINGUNGEN PRO ELEMENT	28
<hr/>	
9. HOLZELEMENTE	28
<hr/>	
9.1 Vorgesehene Verwendung	28
9.2 Tipps zur Wartung	29
10. KERAMIK-ELEMENTE	29
<hr/>	
10.1 Vorgesehene Verwendung	29
10.2 Tipps zur Wartung	29
11. MONTAGEANLEITUNGEN	30
<hr/>	
11.1 Montageanleitungen - OFYR® Classic 85 und 100, Corten und Schwarz, OFYR® Classic Storage 85 und 100, Corten, Schwarz, und OFYR® XL	30
11.2 Montageanleitungen - OFYR® Island 85 und 100, Corten und Black	31

SYMBOLS UND IKONEN



Gefahr! Gefahr von schweren oder tödlichen Verletzungen oder schweren Produktschäden.



Warnung! Verletzungsgefahr oder Produktschäden



Zum Beachten! Nützliche Informationen.

1. EINLEITUNG

VIELEN DANK, DASS SIE EIN OFYR® PRODUKT GEKAUFT HABEN. DIESES HANDBUCH IST FÜR IHR OFYR® CLASSIC (85 ODER 100, CORTEN ODER SCHWARZ), OFYR® CLASSIC STORAGE (85 ODER 100, CORTEN ODER SCHWARZ), OFYR® CLASSIC CONCRETE 100, OFYR® ISLAND (85 ODER 100, CORTEN ODER SCHWARZ, TEAKHOLZBLOCK ODER DUNKELGRAUER KERAMIKBLOCK) UND OFYR® XL.

1.1 OFYR® CLASSIC 85 UND 100, CORTEN, SCHWARZ ODER CONCRETE (NUR 100)

Diese Kocheinheiten für den Außenbereich bestehen aus einem geschlossenen Sockel aus Cortenstahl, schwarz beschichtetem Stahl oder Beton (nur 100), einem Kegel aus Cortenstahl oder schwarz beschichtetem Stahl sowie einer schwarzen Stahlkochplatte.

1.2 OFYR® CLASSIC STORAGE 85 UND 100, CORTEN ODER SCHWARZ

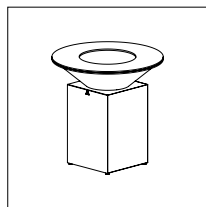
Die OFYR® Grills für den Außenbereich bestehen aus einem offenen Sockel für die Holzlagerung und einem Kegel, beide aus Cortenstahl oder schwarz beschichtetem Stahl, sowie einer Kochplatte aus schwarzem Stahl.

1.3 OFYR® ISLAND 85 UND 100, CORTEN ODER SCHWARZ

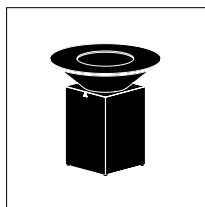
Die OFYR® Grills für den Außenbereich bestehen aus einem offenen Sockel zur Aufbewahrung von Holz im Korpus, einer Zubehörablage und einem Kegel, alle drei aus Cortenstahl, schwarz beschichtetem Stahl, einer Kochplatte aus Carbonstahl sowie einem Schneidebrett aus Teakholz oder dunkelgrauer Keramik.

1.4 OFYR® XL

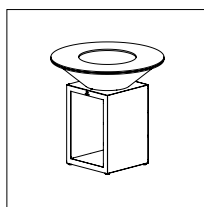
Diese OFYR® Grill für den Außenbereich besteht aus einem geschlossenen Sockel und Kegel, beide aus Cortenstahl, sowie einer Kochplatte aus Carbonstahl.



OFYR® Classic
Corten



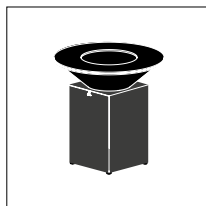
OFYR® Classic
Black



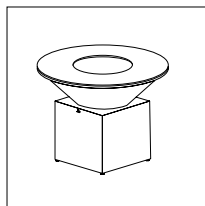
OFYR® Classic
Storage Corten



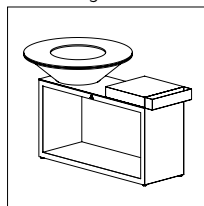
OFYR® Classic
Storage Corten



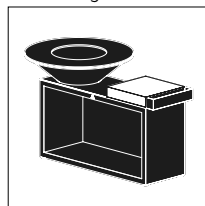
OFYR® Classic
Concrete



OFYR® XL



OFYR® Island
Corten



OFYR® Island
Black

2. SICHERHEITSHINWEISE



Aufgrund des beträchtlichen Gewichts der Einzelteile sollte das Auspacken, Aufbauen und Platzieren des Produkts von mindestens 2 Personen vorgenommen werden. Beim OFYR® XL sogar 4 Personen.



Um Beschädigungen an den Kanten der Stahlgrillplatte Ihres OFYR® Grills zu vermeiden, rollen Sie die Grillplatte nicht zum Transportieren. Als Folge eventueller Beschädigungen kann die Oberseite nicht mehr richtig mit dem Spachtel abgeschabt werden.



Auch wenn die Korrosion nur oberflächlich ist, können die Cortenstahl-Elemente orangefarbene Flecken auf Kleidung, Haut und der Standfläche, auf der sie stehen, verursachen. Wenn es regnet, kann auch Rostwasser von diesen Elementen ablaufen, was zu dauerhaften Flecken auf hell getönten Stein- oder Holzoberflächen führen kann.



Wenn Sie die Grillplatte mit 2 Personen auf den Kegel legen (der XL mit 4 Personen), ist es am sichersten, wenn Sie sie zur Hälfte auflegen und dann von einer Seite über den Kegel ziehen, bis sie einrastet. Wenn die Grillplatte nicht eben auf den Konus passt, sollten Sie sie drehen, bis der Ring auf dem Kegel einrastet. Wir empfehlen die Verwendung von Handschuhen beim Platzieren der Grillplatte. Achten Sie bitte auch darauf, Ihre Kleidung nicht zu verunreinigen, wenn Sie die Cortenstahl-Elemente berühren.



Aufgrund ihrer Beschichtung ist der OFYR® Grills Black und Concrete während des Aufbaus und bei der Benutzung vor Beschädigungen zu schützen. Die Kanten des Betonssockels sind während des Aufbaus sehr empfindlich



Stellen Sie Ihren OFYR® Grill nur auf eine harte, ebene, hitzebeständige und stabile Oberfläche.



Verschieben Sie die OFYR® Grills nach dem Aufstellen nicht. Dadurch können die Stellfüße oder die Nietmuttern, mit denen sie befestigt sind, beschädigt werden.



Verwenden Sie die verstellbaren Füße nicht, um die Gesamthöhe Ihrer OFYR® Grill zu verändern. Die Einheit kann instabil werden, wenn die Stellfüße um mehr als 10 mm herausgedreht werden.



Die Verwendung von reinem Alkohol, Benzin oder anderen chemischen Substanzen beim Anzünden von Feuer ist sehr gefährlich und kann die Lebensmittel auf der Grillplatte beeinträchtigen. Verwenden Sie nur Feueranzünder, die der EN 1860-3 entsprechen.



Lassen Sie Ihren OFYR® Grill während des Gebrauchs niemals unbeaufsichtigt.



Halten Sie Kinder und Haustiere vom OFYR® Grill während des Gebrauchs fern sowie nach dem Gebrauch, wenn das Gerät noch warm ist.



Halten Sie Kinder und Haustiere vom OFYR® Grill während des Gebrauchs fern sowie nach dem Gebrauch, wenn das Gerät noch warm ist.



Stellen Sie sicher, dass der Bereich um Ihren OFYR® Grill frei von brennbaren Materialien ist.



Wenn Sie tropisches Hartholz zum Befeuern Ihres OFYR® Grill verwenden, verwenden Sie nur kleinere Mengen zur gleichen Zeit. Die von dieser Holzart erzeugte Wärmemenge ist so groß, dass größere Mengen, die zur gleichen Zeit verwendet werden, zu einer Verformung der Grillplatte führen können.



Wenn Sie tropisches Hartholz zum Befeuern Ihres OFYR® Grill verwenden, verwenden Sie nur kleinere Mengen zur gleichen Zeit. Die von dieser Holzart erzeugte Wärmemenge ist so groß, dass größere Mengen, die zur gleichen Zeit verwendet werden, zu einer Verformung der Grillplatte führen können.



Löschen Sie das Feuer niemals mit Wasser

3. VERWENDUNG

DIE UNTEN GENANNTEN PUNKTE WERDEN AUCH DURCH VIDEOS AUF WWW.OFYR.COM ERKLÄRT

3.1 FEUERHOLZ

- Verwenden Sie sehr trockenes Holz mit max. 20% Feuchtigkeit.
- Unser bevorzugtes Holz ist Buchenholz, das zu dicker Holzkohle wird. Eschenholz funktioniert auch gut.
- Seien Sie sehr vorsichtig bei der Verwendung von tropischem Hartholz, das sehr heiß wird. Wenn zu viel davon verwendet wird, kann sich die Platte verziehen (siehe Abb. 1).
- Auch Holzkohle kann verwendet werden, jedoch vorzugsweise in Kombination mit Brennholz.



Mit den OFYR®-Handschuhen lässt sich die Masse der Kohlen leicht verschieben, wenn Sie die Wärme anderswohin leiten wollen (siehe Abb.2).

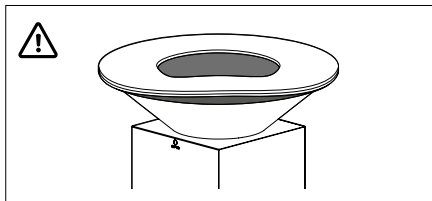


Fig. 1 - Verzogene Grillplatte durch die gleichzeitige Verwendung von zu viel tropischem Hartholz

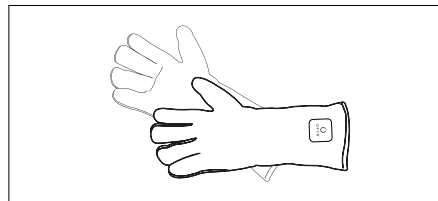


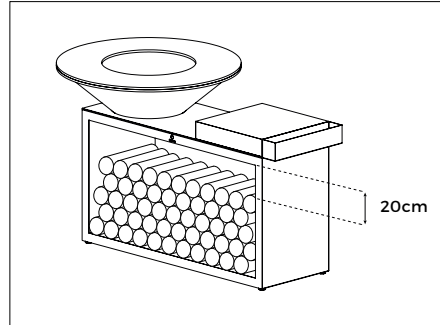
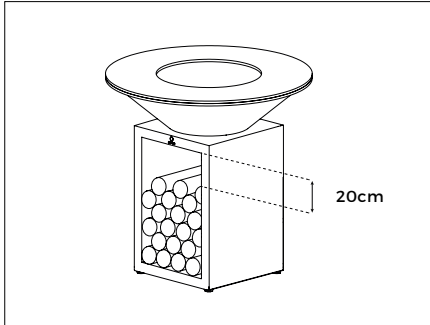
Fig. 2 - OFYR®-Handschuhe

3.2 SPEICHERRAUM

Wenn Sie Holzscheite oder andere Gegenstände im Stauraum Ihres OFYR® Classic Storage oder Ihres OFYR® Island aufbewahren, lassen Sie immer einen Freiraum von mindestens 20 cm unter der Aschewanne, da die Aschewanne unter dem Kegel sehr heiß wird.



Wenn Holzscheite oder andere Gegenstände näher an die Schale gelegt werden, können sie Feuer fangen, was zu sehr gefährlichen Situationen führen kann.



3.3 FEUER MACHEN

Stapeln Sie die Holzstücke paarweise, als ob Sie ein Blockhaus bauen würden (siehe Abb. 3), wobei die Rinde nach außen zeigt, um die Rauchbildung weiter zu verhindern.



Rauchbildung beim Anzünden eines Feuers oder beim Nachlegen von neuem Brennholz kann durch den Einsatz unseres OFYR®-Buffadoo (siehe Abb. 4) weitgehend verhindert werden, so dass das neue Holz fast augenblicklich Feuer fängt.



Die ideale Abmessung für das Brennholz beträgt etwa 10 x 30 cm. Von der Verwendung größerer Holzteile raten wir ab. Diese neigen zwar dazu, schnell Feuer zu fangen, brennen aber in der Regel nicht richtig ab, da im Kegel nicht genügend Platz für Sauerstoff vorhanden ist.



Für einen Grillabend (4-5 Stunden) benötigen Sie im Durchschnitt etwa zwei OFYR®-Holzbeutel zu je etwa 50 Liter, abhängig von der Außentemperatur und den Wetterbedingungen.

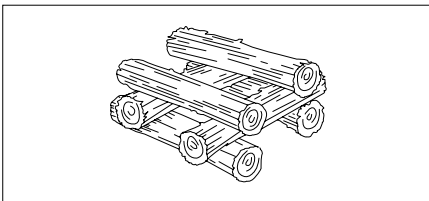


Fig. 3 - Stapeln Sie die Holzstücke paarweise.

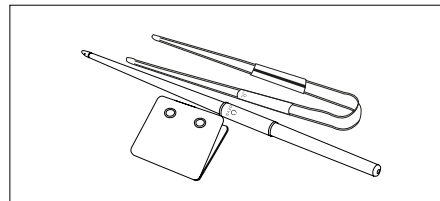


Fig. 4 - OFYR Buffadoo-Set

3.4 ERSTE VERWENDUNG

3.4.1 Das erste Feuer

Bitte gehen Sie wie oben erwähnt vor, aber es ist wichtig, ein kleineres Feuer für etwa 30 Minuten anzuzünden, damit sich die Grillplatte richtig setzen kann. Bei der Herstellung wurde die Mitte der Grillplatte leicht nach unten gedrückt. Wenn Sie jedoch bei der ersten Verwendung Ihres OFYR® Grill ein zu großes Feuer anzünden, kann dies dazu führen, dass sich die Grillplatte bei der späteren Verwendung zu weit nach unten biegt. Es ist sehr wichtig, die Grillplatte mit dem oben beschriebenen Verfahren richtig vorzubereiten. In einigen Fällen kann sich die Grillplatte stattdessen in der Mitte nach oben wölben und dadurch konvex werden (siehe Abb. 5). Dies bedeutet, dass der Stahl falsch beansprucht wird. Wenden Sie sich in diesem Fall bitte an Ihren Händler.

.....

3.4.2 Welches Speiseöl soll verwendet werden?

Am besten ist es, Pflanzenöl zu verwenden. Wir empfehlen, die ersten 2-3 Mal Olivenöl zu verwenden, wenn Sie Ihre OFYR® Grill benutzen. Olivenöl hat einen niedrigeren Verbrennungspunkt, was dazu beiträgt, dass die Grillplatte einen schönen braunschwarzen Farbton erhält. Nach den ersten paar Benutzungen können Sie damit beginnen, Ölsorten mit höherem Brennpunkt zu verwenden, wie z.B. Sonnenblumenöl oder Erdnussöl.

.....

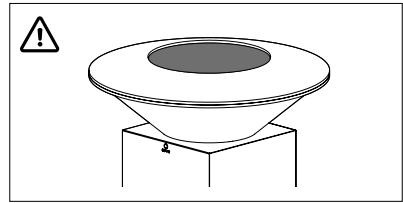


Fig. 5 - Upwards bulged cooking plate

3.4.3 Für die Erwärmung der Grillplatte benötigte Zeit



Die Außentemperatur ist ein wichtiger Faktor für die Zeit, die benötigt wird, um die Grillplatte richtig zu erhitzen. Diese Zeit kann von 25-30 Minuten im Frühling und Sommer bis zu 45-60 Minuten im Herbst und Winter reichen. Die Grillplatte ist 12 mm dick, so dass sie ein anständiges Feuer benötigen, um die Platte richtig zu erhitzen.

.....

3.4.4 Entfernung von der Schutzwachsschicht (ungiftig)

Wenn die Grillplatte wirklich gut erhitzt ist, träufeln Sie Olivenöl auf und verteilen Sie es mit einem Küchentuch. Das Olivenöl wird sich mit dem Schutzwachs vermischen und der Schutzwachs lässt sich leicht entfernen. Wenn Olivenöl auf die nicht gut erhitzte Platte gegeben wird, löst sich eine klebrige schwarze Substanz ab, die nicht leicht zu entfernen ist. Tröpfeln Sie 2-3 Mal Olivenöl auf die Platte und vereiben Sie es. Schaben Sie dann die Grillplatte mit dem beiliegenden Spatel ab und schieben Sie die Substanz in das Feuer. Wir haben auch einen PRO-Spachtel für den intensiven Gebrauch in einer professionellen Umgebung in unserem Sortiment. Sobald Sie nur noch die beigefarbene Beschichtung abkratzen können, ist die Grillplatte sauber und einsatzbereit. Einfach noch einmal mit Olivenöl beträufeln, verteilen und mit dem Grillen beginnen!

.....

3.4.5 Umgang mit dem Feuer

Abhängig von den Wetterbedingungen und der Außentemperatur erreicht die Grillplatte eine Temperatur von ca. 300 °C am inneren Rand und ca. 200 °C am äußeren Rand. Machen Sie dazu ein Feuer mit der oben erwähnten Holzhüttenmethode. Sobald das Holz Ihres ersten Feuers richtig brennt, verteilen Sie die heiße Masse unter den Rändern der Grillplatte und fügen in der Mitte neues Holz mit der Rinde nach oben hinzu. Wiederholen Sie den Vorgang für die gesamte Dauer, die Sie die Grillplatte warm halten möchten. Sie werden feststellen, dass im Herbst und Winter viel mehr Holz benötigt wird, um die Grillplatte warm zu halten, als im Frühjahr und Sommer. Wenn eine Brise weht, ist die Grillplatte dort am heißesten, wo der Wind den OFYR® Grill verlässt, d.h. in Windrichtung. Sie können dies ausgleichen, indem Sie mehr heiße Kohlen in die entgegengesetzte Richtung drücken.

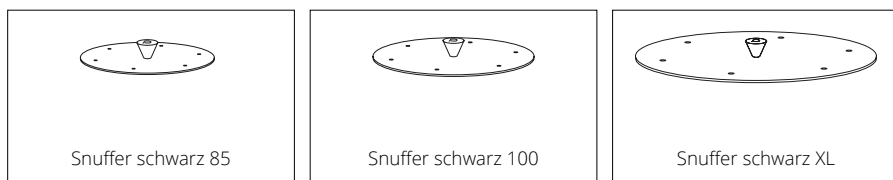
4. ERSTES GRILLEN

AUF WWW.OFYR.COM GIBT ES VERSCHIEDENE KURZE VIDEOS, DIE GRILLTECHNIKEN FÜR IHREN OFYR ERKLÄREN. UNSER KOCHBUCH "THE ART OF OUTDOOR COOKING" ENTHÄLT 72 LEICHT VERSTÄNDLICHE REZEPTE FÜR DEN HAUSGEBRAUCH MIT EINFACHEN, SCHMACKHAFTEN ZUTATEN.

5. LÖSCHEN DES FEUERS

5.1 LÖSCHEN DES FEUERS

Der beste Weg ist, das Feuer von selbst ausbrennen zu lassen. Aus Sicherheitsgründen können die Flammen mit dem Snuffer 85, 100 oder XL erstickt werden. Das Feuer erlischt wenn der Snuffer auf die Platte gelegt wird. Das Feuer erlischt nur sehr langsam, wenn der Snuffer auf die Platte gelegt wird, weil es noch immer etwas Sauerstoffversorgung gibt. !!!Achtung!!! Wenn dann die Abdeckung entfernt wird, kann dies aufgrund der plötzlichen Luftzufuhr (Sauerstoffzufuhr) zu einer Rauchgasentzündung führen (Stichflammen). Heiße Asche und Holzkohle, die vom verbrannten Brennholz zurückbleiben, können abgedeckt werden durch den Snuffer, um zu vermeiden, dass diese weggeblasen werden.



5.2 ENTFERNEN DER ASCHEN

Asche kann über einen langen Zeitraum sehr heiß bleiben. Manchmal sogar für mehrere Tage. Bevor Sie Ihre Asche in einen normalen Abfalleimer entsorgen, geben Sie sie immer zuerst in einen leeren Zinkbehälter und gießen Sie Wasser darüber, so dass die Asche vollständig durchnässt ist. Erst dann entsorgen Sie sie in Ihren normalen Abfalleimer.

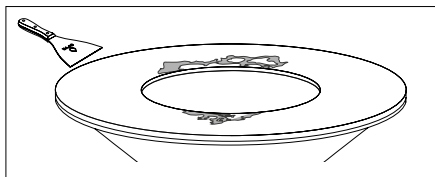
6. WARTUNGSTIPPS

DIE UNTEN GENANNTEN PUNKTE WERDEN AUCH DURCH VIDEOS AUF WWW.OFYR.COM ERKLÄRT.

6.1 DIE GRILLPLATTE

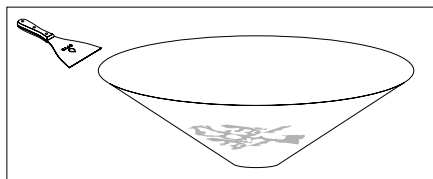
- Die Grillplatte besteht aus schwarzem Stahl und wird korrodieren, wenn das Öl nicht richtig eingebrannt wird. Sobald das Öl richtig eingebrannt ist, entsteht nur noch geringe Korrosion. Wenn die Grillplatte für längere Zeit nicht benutzt wird, empfehlen wir, sie alle 15-30 Tage mit Öl zu behandeln. Das Ausmaß der Korrosion hängt sehr stark vom Klima ab. Salzhaltige, feuchte Luft ist natürlich viel schlechter als trockene Luft. Da die Behandlung einer kalten Grillplatte mit Speiseöl nicht so einfach funktioniert, ist die Verwendung einer Sprühflasche (z.B. Backtrennspray) effizienter.

- Wenn Sie Ihren OFYR® Grill viel benutzen, bildet sich auf der Grillplatte eine glatte Patina, wodurch sie besonders glatt und besonders bequem zu benutzen ist. Von Zeit zu Zeit kann sich diese Schicht hier und da ablösen. Wenn Sie an einigen Stellen Absplitterungen feststellen, kratzen Sie die Späne einfach mit dem Spachtel ab und reiben Sie neues Öl auf. Auf diese Weise erneuert sich die Patina nach und nach von selbst.



6.2 DER KEGEL

- Um ein Verstopfen des Kegels zu verhindern, muss die Asche nach jedem Gebrauch entfernt werden.
- Wenn die Asche zu lange im Kegel belassen wird oder wenn sich der OFYR® Grill in einer sehr feuchten oder salzhaltigen Umfeld befindet, können sich Stahlspäne sowohl an der Innen- als auch an der Außenseite der Cortenstahl-Kegel bilden. Diese Späne können leicht mit dem Spatel entfernt werden. Das Video "Wartung des OFYR-Corten-Kegels" zeigt deutlich, wie vorzugehen ist.

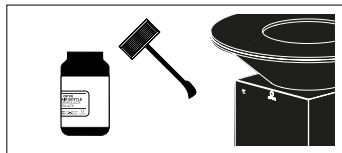


6.3 DER SOCKEL

- Während des Grillens können sich Ölspritzer auf dem Sockel bilden. Von den Cortenstahl-Sockeln können diese Spritzer nicht entfernt werden. Der gesamte Cortenstahl-Sockel kann jedoch mit einem Küchentuch mit Öl behandelt werden, so dass die Spritzer nicht sichtbar sind. Durch eine solche Behandlung wird der gesamte Sockel dunkler. Wenn es regnet, kann leicht fetthaltiges Wasser von der Corten-Sockel runterlaufen, das auf hellen Stein- oder Holzoberflächen dauerhafte Flecken hinterlassen kann.
- Der Betonsockel wurde mit Wachs behandelt, um die Oberfläche glänzend zu machen. Aufgrund von Witterungseinflüssen und Sonnenlicht wird dieses glänzende Aussehen mit der Zeit verschwinden. Deshalb wird der Concret mit zusätzlichem Wachs geliefert, um den Untergrund nachzubehandeln.

6.4 SCHWARZE PRODUKTE

- Obwohl die Beschichtung des Schwarzen Grills sehr widerstandsfähig ist, ist es immer möglich, dass Kratzer entstehen. Deshalb erhalten Sie zu jedem schwarzen Grill eine Gratis-Flasche mit Ausbesserungslack, mit der Sie kleinere Schäden reparieren können.



7. HAFTUNGSAUSSCHLUSS

7.1 SICHERHEITS- UND AUFSTELLUNGS-, GEBRAUCHS- UND WARTUNGSANWEISUNGEN/TIPPS

Wir sind nicht haftbar für Verletzungen oder Schäden als Folge der Nichtbeachtung unserer Sicherheits- und Aufstellungs-, bestimmungsgemäßen Verwendungs- und Wartungsanweisungen/Tipps.

7.2 CORTENSTAHL

OFYR® Grills Corten werden aus Cortenstahl hergestellt: ein Metall mit einer natürlichen Korrosionsschicht, die vor Durchrostung schützt. OFYR® Grills Corten werden mit dem zusätzlichen Service geliefert, dass der Korrosionsprozess bereits begonnen hat, wenn sie ausgeliefert werden. Nach der Lieferung dauert es weitere 6-12 Monate, bis die anfängliche Korrosion sich in eine vollständig schützende Schicht verwandelt.

- i** Die Farbe der Anlage kann sich im Laufe der Zeit ändern, da der Korrosionsprozess noch nicht vollständig entfaltet ist. Wir haften nicht für eventuelle Farbveränderungen.
- i** Cortenstahl-Komponenten, die bei der Lieferung weniger korrodiert sind als andere, können nicht ersetzt werden. Alle Komponenten korrodieren im Laufe der Zeit unter Witterungseinfluss auf natürliche Weise. Wir haften nicht für Korrosionsunterschiede zwischen verschiedenen Elementen.
- i** Während die Korrosion noch oberflächlich ist, können die Cortenstahl-Elemente orangefarbene Flecken auf Kleidung, Haut und der Oberfläche, auf der sie stehen, verursachen. Wenn es regnet, kann auch korrosives Wasser von diesen Elementen ablaufen, was zu dauerhaften Flecken auf hell getönten Stein- oder Holzoberflächen führen kann. Wir haften nicht für Flecken als Folge von Korrosion.

7.3 SCHWARZ BESCHICHTETER STAHL

- i** Bitte beachten Sie, dass die OFYR® Grills Black eine Beschichtung haben und daher empfindlicher auf Beschädigungen beim Aufbau und Gebrauch reagieren. Wir haften nicht für eventuelle Folgeschäden, die durch den Aufbau oder den Gebrauch Ihrer OFYR® Grills Black entstehen.
- i** Durch Witterung und Sonneneinstrahlung kann es zu Verfärbungen der Beschichtung kommen. Für solche Verfärbungen übernehmen wir keine Haftung.

8. GARANTIEBEDINGUNGEN PRO ELEMENT

Eine beschränkte lebenslange Garantie gilt für das Material und die Konstruktion aller OFYR® Grills für die ursprünglichen Käufer oder Besitzer, vorausgesetzt, dass sie ihre Kocheinheit von einem autorisierten Händler gekauft und ihre Garantie in der erforderlichen Weise über den OFYR-Club unter www.ofyr.club registriert haben.

	B2C	B2B
Grillplatte	5 Jahre	3 Jahre
Kegel Corten-Stahl	2 Jahre	1 Jahr
Sockel Corten-Stahl	5 Jahre	3 Jahre
Beschichtete Stahlelemente	2 Jahre	1 Jahr
Konkrete Elemente	2 Jahre	1 Jahr
Holz- und Keramikelemente	2 Jahre	1 Jahr

Diese Garantie deckt Herstellungsfehler ab. Sie gilt für die ursprünglichen Käufer oder Besitzer eines OFYR® Grills Corten und OFYR® Grills Black, vorausgesetzt, dass

- Sie haben ihr Gerät bei einem autorisierten Händler gekauft.
- Sie haben den OFYR® Grill gemäß den Anweisungen in diesem Handbuch zusammengebaut, verwendet und gewartet.



NICHT DURCH GARANTIE ABGEDECKT

- Abnutzung, Korrosion, Verformung und Verfärbung von Teilen, die dem Feuer ausgesetzt sind;
- Korrosion und Verfärbung durch äußere Einflüsse;
- Dem Herstellungsprozess inhärente visuelle Unregelmäßigkeiten;
- Schäden, die durch die Nichtbeachtung unserer Sicherheits- und Aufstellungs-, bestimmungsgemäßen Verwendungs- und Wartungsanweisungen/Tipps entstehen.

9. HOLZELEMENTE

Alle Holzelemente sind aus Teakholz gefertigt. Der hohe Ölgehalt, die hohe Zugfestigkeit und die dichte Maserung von Teakholz machen es besonders geeignet, wo Wetterbeständigkeit gefragt ist.

9.1 VERWENDUNGSZWECK

- Holz ist ein Naturprodukt und sollte daher in Innenräumen gelagert werden.
- Verwenden Sie die Holzbretter nicht als Schneidebrett. Die Verwendung scharfer Gegenstände verursacht irreparable Schäden.
- Verwenden Sie keine schweren Gegenstände, da das Ausüben großer Kräfte auf das Holzelement irreparable Schäden verursachen kann.

9.2 WARTUNGSTIPPS

- Vor der ersten Benutzung: Reinigen Sie die Arbeitsplatte gründlich mit einem milden Reinigungsmittel.
- Verwenden Sie für die tägliche Reinigung ein feuchtes Tuch und ein mildes Reinigungsmittel. Achten Sie darauf, den Block nach jedem Gebrauch zu reinigen.
- Reinigung von hartnäckigen Flecken: Verwenden Sie ein feuchtes Tuch oder einen Schwamm (kein Scheuermittel) mit einem milden Reinigungsmittel.
- Reinigen Sie das Holz in Richtung des Nervs, um die Qualität des Materials zu erhalten.
- Trocknen Sie den Block nach der Reinigung.
- Alle Teakholzbretter wurden mit Pflanzenöl behandelt, um sie vor Schmutz und Feuchtigkeit zu schützen. Wir empfehlen den Anwendern dieser Produkte, auch diese Bretter mindestens einmal im Jahr mit diesem Öl zu behandeln und bei häufiger Verwendung öfter.



Reinigen Sie die Holzbretter nicht mit ätzenden Substanzen oder in der Spülmaschine.



Der Holzbrett sollte in Innenräumen an einem trockenen Ort mit geringer Luftfeuchtigkeit gelagert werden. Große Temperatur- und Feuchtigkeitsunterschiede können zum Verziehen des Holzes führen.

10. KERAMIK-ELEMENTE

Keramiken sind industriell hergestellte, gebrannte Produkte. Auf die oberste Schicht aus Ton, dem Hauptbestandteil, wird ein Druck aufgebracht, der dann bei extrem hoher Temperatur gebrannt wird. Kennzeichnend für Keramik sind ihre sehr praktischen Eigenschaften: sie ist hygienisch und resistent gegen Flecken, Kratzer und Hitze.

10.1 VERWENDUNGSZWECK

- Keramik ist witterungsbeständig und kann dauerhaft im Freien gelagert werden.
- Keramik ist eine sehr kompakte und zähe Masse, was sie relativ anfällig für Schlagschäden macht. Seien Sie daher z.B. mit schweren Gegenständen vorsichtig, da diese beim Aufprall auf eine Arbeitsplatte irreparable Schäden verursachen können.
- Wir empfehlen die Verwendung eines Schneidebrettes, um zu verhindern, dass Ihre Messer stumpf werden.
- Vermeiden Sie den Kontakt mit Aceton und mit extrem aggressiven Reinigungsmitteln wie Metallreinigern, Abflussreinigern und anderen Produkten mit einem pH-Wert <2 oder >12.
- Stellen Sie sich niemals auf das Keramik-Element.

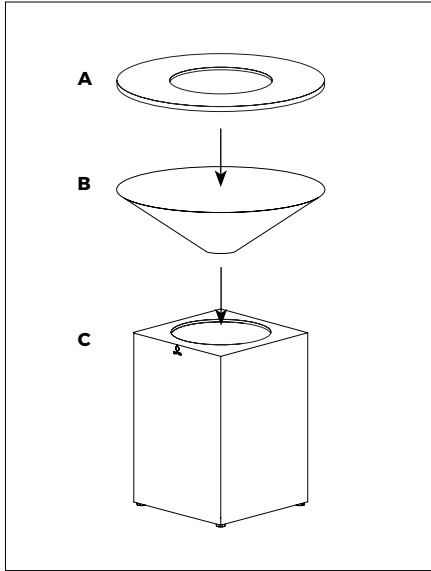
10.2 WARTUNGSTIPPS

- Vor dem ersten Gebrauch: Entfernen Sie eventuelle Kleberückstände mit einem Kunststoffschaber und reinigen Sie die Arbeitsplatte gründlich mit einem milden Reinigungsmittel.
- Verwenden Sie für die tägliche Reinigung ein feuchtes Tuch mit einem milden Reinigungsmittel. Achten Sie darauf, den Block nach Gebrauch zu reinigen.
- Reinigen Sie den Block einige Male im Jahr intensiver.
- Reinigung von hartnäckigen Flecken: Verwenden Sie ein mildes Reinigungsmittel mit einem feuchten Tuch oder Schwamm (kein Scheuermittel).
- Reinigen Sie die Blöcke nicht in der Spülmaschine.

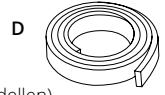
11. MONTAGEANLEITUNGEN

11.1 MONTAGEANLEITUNGEN

OFYR CLASSIC CORTEN / SCHWARZ 85 UND 100, OFYR CLASSIC STORAGE CORTEN / SCHWARZ 85 UND 100, OFYR CLASSIC CONCRETE 100 UND OFYR XL

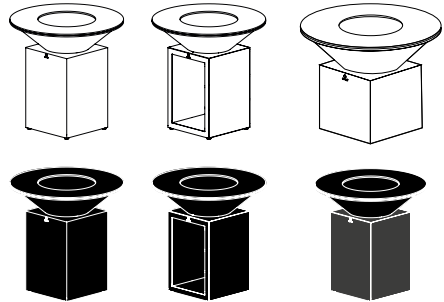


- A Platte
- B Kegel
- C Sockel
- D Filzband (nur bei schwarzen Modellen)

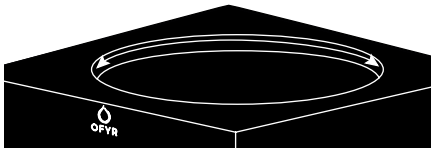


Die OFYR® Grill sollte von zwei Personen aufgestellt und zusammengebaut werden, da die Komponenten zu schwer sind, um von einer Person getragen werden zu können.

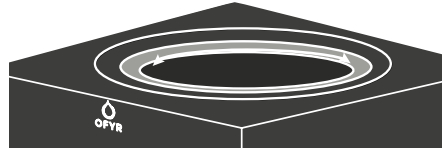
Wir empfehlen dringend, den OFYR XL von 4 Personen zusammenzubauen.



SCHWARZE MODELLE- FILZ MONTIEREN


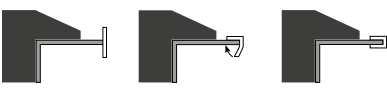


CONCRETE - FILZ MONTIEREN





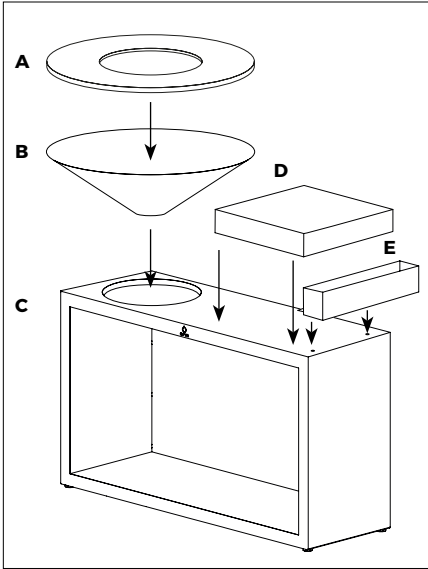

Kleben Sie den Filz auf die Kante von dem runden Ausschnitt im Sockels, um den direkten Kontakt zwischen Kegel und Sockel zu verhindern.

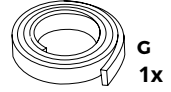
- A. Legen Sie den mittleren Teil des Filzes gegen den verzinkten Stahl.
- B. Den Filz gleichmäßig verteilt um den verzinkten Ring falten.
- C. Setzen Sie dann den Konus in den Ring.

11. MONTAGEANLEITUNGEN

11.2 MONTAGEANLEITUNGEN OFYR ISLAND CORTEN / BLACK 85 UND 100



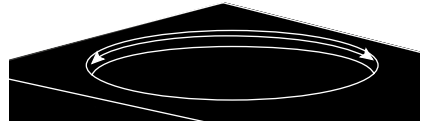
- A** Platte
B Kegel
C Sockel
D Holzauflage
E Zubehörhalterung
F Schrauben für Halterung
G Filzband (nur bei schwarzen Modellen)



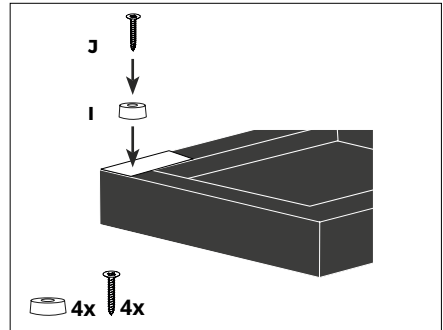
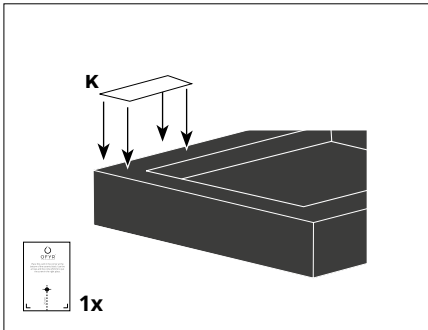
Die OFYR-Kocheinheit sollte von zwei Personen aufgestellt und zusammengebaut werden, da die Komponenten zu schwer sind, um von einer Person getragen werden zu können.



Kleben Sie den Filz auf die Kante von dem runden Ausschnitt im Sockel, um den direkten Kontakt zwischen Kegel und Sockel zu verhindern.



Nur für die Keramikauflage



4x



4x



1x

TABLE DES MATIÈRES

1. INTRODUCTION	34
1.1 OFYR® Classic 85 et 100, Corten, Black ou Concrete (100 uniquement)	34
1.2 OFYR® Classic Storage 85 et 100, Corten ou Black	34
1.3 OFYR® Island 85 et 100, Corten ou Black	34
1.4 OFYR® XL	34
2. INSTRUCTIONS DE SÉCURITÉ ET D'INSTALLATION	35
3. UTILISATION	36
3.1 Bois de chauffage	36
3.2 Espace de stockage	37
3.3 Faire un feu	37
3.4 Première utilisation	38
3.4.1 Premier allumage	38
3.4.2 Quelle huile de cuisson faut-il utiliser ?	38
3.4.3 Temps nécessaire à la chauffe de la plaque de cuisson	38
3.4.4 Élimination des résidus de l'huile d'origine de la plaque de cuisson	38
3.4.5 Gestion du feu	38
4. PREMIÈRE CUISSON	39
5. EXTINCTION DU FEU ET RETRAIT DES CENDRES	39
5.1 Extinction du feu	39
5.2 Élimination des cendres	39
6. CONSEILS D'ENTRETIEN	39
6.1 La plaque de cuisson	39
6.2 La vasque	40
6.3 Le socle	40
6.4 Produits Black	41
7. CLAUSES DE NON-RESPONSABILITÉ	41
7.1 Conseils/Instructions en matière de sécurité, d'installation, d'usage conforme et d'entretien	41
7.2 Acier Corten	41
7.3 Acier laqué noir	41

8. CONDITIONS DE GARANTIE PAR ÉLÉMENT	42
9. PLANS DE TRAVAIL EN BOIS	42
9.1 Usage conforme	42
9.2 Conseils d'entretien	43
10. PLANS DE TRAVAIL EN CÉRAMIQUE	43
10.1 Usage conforme	43
10.2 Conseils d'entretien	43
11. INSTRUCTIONS DE MONTAGE	44
11.1 Instructions de montage - OFYR® Classic 85 et 100, Corten et Black, OFYR® Classic Storage 85 et 100, Corten et Black, et OFYR® XL,	44
11.2 Instructions de montage - OFYR® Island 85 et 100, Corten et Black	45

SYMBOLES ET ICÔNES



Danger ! Risque de blessures graves ou mortelles, ou d'endommagement sévère du produit.



Avertissement ! Risque de blessures ou d'endommagement du produit.



Avis ! Informations utiles..

1. INTRODUCTION

NOUS VOUS REMERCIONS D'AVOIR ACHETÉ UN PRODUIT OFYR®. CE MODE D'EMPLOI EST DESTINÉ A VOTRE OFYR® CLASSIC (85 OU 100, CORTEN OU BLACK), OFYR® CLASSIC STORAGE (85 OU 100, CORTEN OU BLACK), OFYR® CLASSIC CONCRETE 100, OFYR® ISLAND (85 OU 100, CORTEN OU BLACK, PLAN DE TRAVAIL EN BOIS DE TECK OU EN CERAMIQUE GRIS ANTHRACITE) ET OFYR® XL.

.....

1.1 OFYR® CLASSIC 85 ET 100, CORTEN, BLACK OU CONCRETE (100 UNIQUEMENT)

Ces unités de cuisson extérieures se composent d'un socle fermé en acier Corten, acier thermo laqué noir ou en béton (100 uniquement), d'une vasque en acier Corten ou en acier thermo laqué noir, ainsi que d'une plaque de cuisson en acier.

.....

1.2 OFYR® CLASSIC STORAGE 85 ET 100, CORTEN OU BLACK

Ces unités de cuisson extérieures se composent d'un socle ouvert pour le rangement du bois et d'une vasque en acier Corten ou en acier thermo laqué noir ainsi qu'une plaque de cuisson en acier.

.....

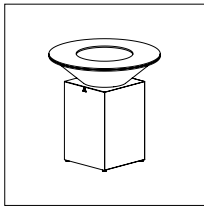
1.3 OFYR® ISLAND 85 ET 100, CORTEN OU BLACK

Ces cuisines d'extérieur comme les unités de cuisson extérieures se composent d'un socle ouvert pour le rangement du bois, d'un bac fonctionnel et d'une vasque, tous les trois en acier Corten ou en acier thermo laqué noir, d'une plaque de cuisson en acier ainsi que d'un plan de travail en bois de teck ou en céramique gris foncé.

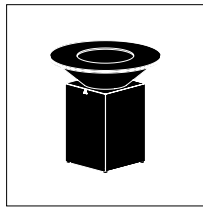
.....

1.4 OFYR® XL

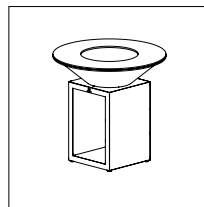
Cette unité de cuisson extérieure se compose d'un socle fermé et d'une vasque, tous deux en acier Corten, ainsi que d'une plaque de cuisson en acier.



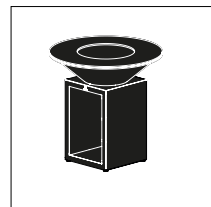
OFYR® Classic
Corten



OFYR® Classic
Black



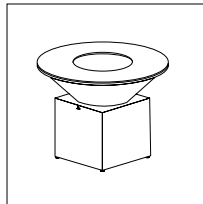
OFYR® Classic
Storage Corten



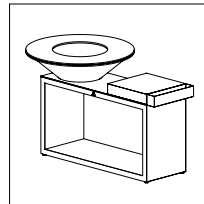
OFYR® Classic
Storage Corten



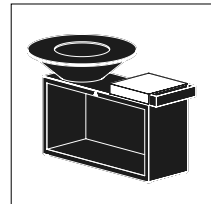
OFYR® Classic
Concrete



OFYR® XL



OFYR® island
Corten



OFYR® Island
Black

2. INSTRUCTIONS DE SÉCURITÉ ET D'INSTALLATION



En raison du poids considérable des éléments, le déballage et l'installation produit doit être effectué par au moins 2 personnes. Dans le cas du montage de l'OFYR® XL, nous vous recommandons d'être 4 personnes.



Pour éviter la formation d'éclats sur les bords de la plaque de cuisson en acier de votre unité de cuisson OFYR®, ne la faites pas rouler pour la transporter. Les éclats entraînent l'impossibilité de gratter convenablement la surface à l'aide de la spatule.



Tant que la corrosion reste superficielle, les éléments en acier Corten peuvent provoquer des taches sur les vêtements, la peau et la surface sur laquelle ils reposent. En cas de pluie, l'eau corrosive peut également ruisseler de ces éléments, ce qui causerait des taches permanentes sur les surfaces en pierre claire ou en bois.



Lors de l'installation de la plaque de cuisson sur la vasque par 2 personnes (OFYR XL avec 4 personnes), la manière la plus sûre est de la placer à moitié et de la tirer délicatement d'un côté sur la vasque jusqu'à ce qu'elle se mette correctement en place. Si la plaque de cuisson ne s'adapte pas correctement sur la vasque, faites-la tourner jusqu'à ce que l'anneau soit parfaitement en place. Nous recommandons l'usage de gants lors de l'installation de la plaque de cuisson. Veillez également à ne pas tacher vos vêtements en touchant les éléments en acier Corten.



L'unité de cuisson OFYR® Black et Concrete est plus sensible aux dommages lors de l'installation en raison de son revêtement. Les bords du socle en béton sont particulièrement fragiles.



Placez votre unité de cuisson OFYR® sur une surface dure, à niveau, résistante à la chaleur et stable.



Ne pas déplacer les unités de cuisson OFYR® après leur installation. Cela peut endommager les pieds réglables ou les écrous à rivets avec lesquels ils sont fixés.



Ne pas utiliser les pieds réglables pour modifier la hauteur totale de votre unité de cuisson OFYR®. L'unité peut devenir instable si les pieds réglables sont allongés de plus de 10 mm.



L'utilisation d'alcool pur, d'essence ou de toute autre substance chimique pour allumer le feu est extrêmement dangereuse et peut affecter la nourriture posée sur la plaque de cuisson. Utilisez uniquement des allume-feu conformes à la norme EN 1860-3.



Ne laissez jamais votre unité de cuisson OFYR® sans surveillance pendant l'utilisation.



Tenez les enfants et les animaux domestiques éloignés de l'unité de cuisson OFYR® pendant l'utilisation et après usage lorsqu'elle est encore chaude.



N'utilisez jamais l'unité de cuisson OFYR® à l'intérieur ou dans un espace partiellement ou entièrement fermé. Ceci entraînerait un excès de fumées nocives susceptibles de provoquer un empoisonnement au monoxyde de carbone.



Assurez-vous que la zone autour de l'unité de cuisson OFYR® est exempte de matériaux inflammables.



Si vous utilisez du bois tropical pour chauffer votre unité de cuisson OFYR®, n'en mettez qu'une petite quantité à la fois. Le niveau de chaleur généré par ce type de bois est tel qu'une grande quantité simultanée entraînerait la déformation de la plaque de cuisson.



Les cendres peuvent rester chaudes très longtemps. Parfois même pendant plusieurs jours. Dès lors, avant de jeter vos cendres dans une poubelle normale, déposez-les toujours dans un seau en zinc et arrosez-les d'eau de façon à ce qu'elles soient complètement mouillées. À ce moment-là seulement, vous pouvez les jeter dans une poubelle normale.



N'éteignez jamais le feu avec de l'eau.

3. UTILISATION

LES ÉLÉMENTS MENTIONNÉS CI-DESSOUS SONT ÉGALEMENT EXPLIQUÉS AU MOYEN DE VIDÉOS SUR LE SITE WWW.OFYR.COM

3.1 BOIS DE CHAUFFAGE

- Utilisez du bois bien sec avec un maximum de 20 % d'humidité.
- Nous recommandons le bois de hêtre qui se transforme en charbon épais. Le bois de frêne est également une bonne option.
- Faites très attention si vous utilisez du bois tropical, car il peut dégager énormément de chaleur. Si vous en utilisez de trop, la plaque peut se déformer (voir Figure 1).
- Le charbon peut également être utilisé, mais préférablement avec du bois de chauffage.



Les gants OFYR® permettent de déplacer facilement les braises afin de diriger la chaleur vers un autre endroit au sein de la vasque (voir Figure 2).

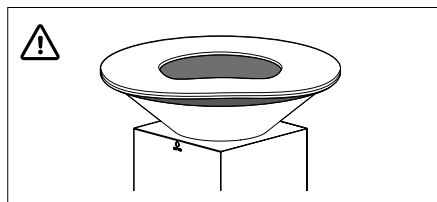


Fig. 1 - Plaque de cuisson déformée en raison d'une trop grande quantité de bois tropical utilisée à la fois

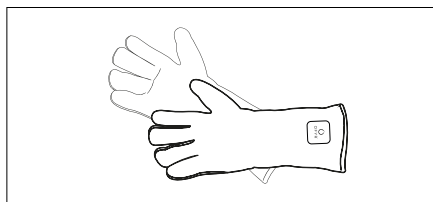


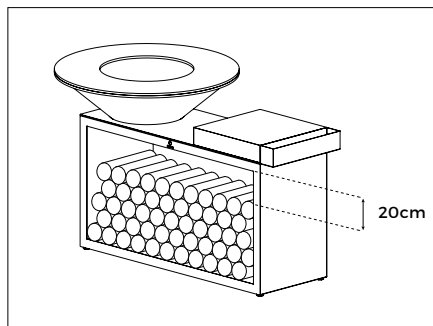
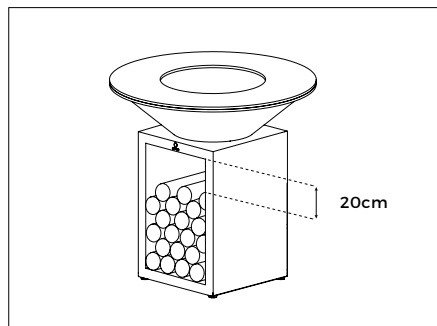
Fig. 2 - Gants OFYR

3.2 ESPACE DE RANGEMENT

Lors du stockage de bûches ou d'autres éléments dans l'espace de rangement de votre OFYR® Classic Storage ou OFYR® Island, laissez toujours un espace libre d'au moins 20 cm sous le bac à cendres situé sous la vasque, car ce bac peut devenir très chaud.



Lorsque vous placez des bûches ou d'autres articles près du fond de la vasque, ils peuvent prendre feu, ce qui peut provoquer des situations très dangereuses.



3.3 FAIRE UN FEU

Empilez les morceaux de bois deux par deux, comme si vous construisiez une cabane en bois (voir Figure 3), avec l'écorce vers l'extérieur pour éviter la formation de fumée.



La formation de fumée lors de l'allumage d'un feu ou de l'ajout de bois peut être évitée en grande partie grâce à l'utilisation de notre soufflet à bouche OFYR® Buffadoo (voir Figure 4), permettant d'insuffler de l'air et de stimuler les flammes quasiment dès l'allumage.



La taille idéale des bûches est d'environ 10 x 30 cm. Nous déconseillons l'utilisation de morceaux plus grands. Ceux-ci ont en effet tendance à prendre feu rapidement, mais ne brûlent généralement pas correctement en raison de l'absence d'oxygène dans la vasque.



Pour une soirée de cuisson (de 4 à 5 heures), il vous faudra environ deux sacs à bois OFYR® de 50 litres chacun en fonction de la température extérieure et des conditions météorologiques.

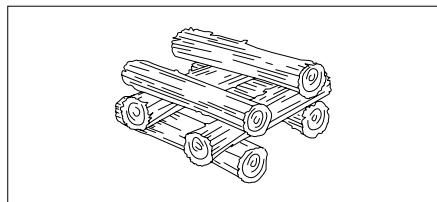


Fig. 3 - Empilez les bûches de bois deux par deux.

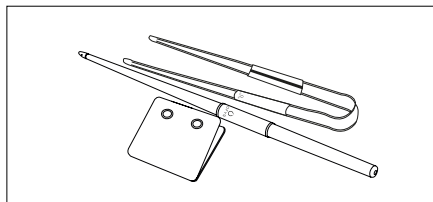


Fig. 4 - Set Buffadoo OFYR

3.4 PREMIÈRE UTILISATION

3.4.1 Premier allumage

Veillez procéder en suivant les instructions ci-dessus. Il est toutefois important d'allumer un petit feu d'environ 30 minutes afin de permettre l'installation correcte de la plaque de cuisson. Lors de la fabrication, le milieu de la plaque de cuisson a été doucement pressé. Lorsque la plaque de cuisson sera chaude, elle se pliera un peu plus. Donc, si vous allumez un feu trop grand lors du premier allumage de votre unité de cuisson OFYR®, la plaque de cuisson pourrait se plier de trop. Il est essentiel de préparer la plaque de cuisson correctement en suivant la procédure ci-dessous. Dans certains cas, la plaque de cuisson peut gonfler en son milieu et donc devenir convexe (voir Figure 5). Cela signifierait que l'acier n'a pas été correctement pressé. Si cela se produit, contactez votre revendeur.

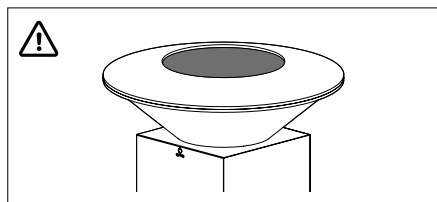


Fig. 5 - Plaque de cuisson convexe

3.4.2 Quelle huile de cuisson faut-il utiliser ?

Nous recommandons l'utilisation d'une huile végétale. Nous recommandons l'huile d'olive lors des 2 ou 3 premières utilisations de l'unité de cuisson OFYR®. L'huile d'olive a un point de combustion plus bas, ce qui permettra à la plaque de cuisson d'obtenir une jolie teinte brun-noir. Après quelques utilisations, vous pouvez commencer à utiliser des huiles ayant un point de combustion plus élevé, telles que l'huile de tournesol ou d'arachide.

3.4.3 Temps nécessaire à la chauffe de la plaque de cuisson



La température extérieure est un facteur important pour le temps nécessaire à la chauffe correcte de la plaque de cuisson. Cela peut prendre 25 à 30 minutes au printemps et en été, et 45 à 0 minutes en automne et en hiver. La plaque de cuisson a une épaisseur de 12 mm. Il lui faut donc un feu minimum pour chauffer correctement.

3.4.4 Élimination des résidus de l'huile d'origine sur la plaque de cuisson

Une fois que la plaque de cuisson est bien chaude, versez un filet d'huile d'olive et étalez-la à l'aide d'un linge de cuisine. L'huile d'olive se mélangera à l'huile de fabrication, ce qui facilitera l'élimination des résidus d'huile. Si l'huile d'olive est appliquée avant que la plaque ne soit bien chaude, il en résultera une substance collante noirâtre difficile à enlever. Versez un filet d'huile d'olive 2 ou 3 fois. Grattez ensuite la plaque de cuisson à l'aide de la spatule fournie et poussez les résidus vers le feu. Notre gamme de produits comprend également une spatule PRO pour un usage intensif dans un environnement professionnel. Lorsque tout ce que vous parvenez à gratter sont des résidus de couleur beige, la plaque de cuisson est propre et prête à être utilisée. Versez simplement encore un peu d'huile d'olive, étalez-la et commencez à cuisiner !

3.4.5 Gestion du feu

En fonction des conditions météorologiques et de la température extérieure, la plaque de cuisson peut atteindre une température d'environ 300 °C vers le bord intérieur et 200 °C vers le bord extérieur. Pour y parvenir, faites un feu selon la méthode de la cabane en bois expliquée ci-dessus. Une fois que votre feu a bien pris, étalez la masse chaude sous les bords de la plaque de cuisson et ajoutez une nouvelle bûche au milieu, écorce vers le haut. Répétez le processus pendant tout le temps où vous voulez garder la plaque de cuisson chaude. Vous constaterez qu'il faut beaucoup plus de bois pour garder la plaque de cuisson chaude en automne et en hiver par rapport au printemps et à l'été. En cas de vent, la plaque de cuisson sera plus chaude là où le vent quitte l'unité de cuisson OFYR®, c'est-à-dire dans la direction du vent. Vous pouvez compenser cela en poussant les braises chaudes dans la direction opposée.

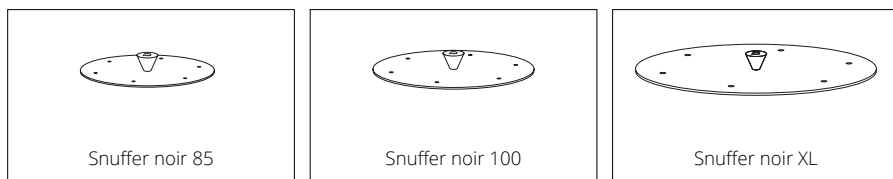
4. PREMIÈRE CUISSON

SUR LE SITE WWW.OFYR.COM, VOUS TROUVEREZ DIFFÉRENTES COURTES VIDÉOS EXPLIQUANT LES TECHNIQUES DE CUISSON SUR OFYR. NOTRE LIVRE DE CUISINE « OFYR LIVRE DE RECETTES N°1 » CONTIENT 72 RECETTES ÉLABORÉES AVEC DES INGRÉDIENTS À LA FOIS SIMPLES ET SAVOUREUX QUE FAMILLE ET AMIS APPRÉCIERONT.

5. EXTINCTION DU FEU

5.1 EXTINCTION DU FEU

La meilleure façon d'éteindre le feu est de laisser le feu s'éteindre lui-même. Pour des raisons de sécurité, les flammes peuvent être couvertes par le OFYR Snuffer 85, 100 ou XL. Cependant, le feu ne s'éteindra pas lorsque le OFYR Snuffer est placé sur la plaque, car il y a encore un peu d'air. Si le OFYR Snuffer couvre le feu pendant une période plus longue, il y aura une forte formation de fumée. Si l'on enlève rapidement le OFYR Snuffer, cela peut provoquer des flammes soudaines et importantes en raison de l'arrivée soudaine d'air. Les cendres chaudes et le charbon de bois qui restent du bois brûlé peuvent être couverts par le Snuffer afin d'éviter qu'ils ne soient emportés par le vent.



5.2 ÉLIMINATION DES CENDRES

Les cendres peuvent rester chaudes très longtemps. Parfois même pendant plusieurs jours. Dès lors, avant de jeter vos cendres dans une poubelle normale, déposez-les toujours dans un seau en zinc et arrosez-les d'eau de façon à ce qu'elles soient complètement mouillées. À ce moment-là seulement, vous pouvez les jeter dans une poubelle normale.

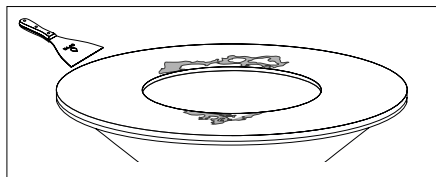
6. CONSEILS D'ENTRETIEN

LES ÉLÉMENTS MENTIONNÉS CI-DESSOUS SONT ÉGALEMENT EXPLIQUÉS AU MOYEN DE VIDÉOS SUR LE SITE WWW.OFYR.COM.

6.1 LA PLAQUE DE CUISSON

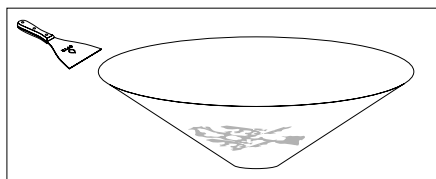
- La plaque de cuisson est fabriquée en acier noir et peut rouiller si elle n'est pas correctement « culottée ». Une fois qu'elle a bien été culottée à l'aide d'huile, seule une corrosion mineure se développera. Si la plaque de cuisson n'est pas utilisée pendant une longue période, nous recommandons de la traiter avec de l'huile d'origine végétale tous les 15 à 30 jours. La corrosion dépend principalement du climat. Il est évident qu'un air salin et humide est plus nuisible pour la plaque qu'un air sec. Comme il n'est pas facile de traiter une plaque de cuisson froide avec de l'huile de cuisson, nous recommandons d'utiliser un spray de cuisson.

- Si vous utilisez souvent votre unité de cuisson OFYR®, une couche lisse de résidus de carbone s'accumulera sur la plaque de cuisson, ce qui la rendra ultra lisse et très facile à utiliser. De temps en temps, cette couche peut s'enlever ici et là. Lorsque vous remarquez qu'elle s'écaille par endroits, grattez simplement les éclats à l'aide de la spatule et appliquez à nouveau de l'huile. Ainsi, la couche de résidus de carbone se renouvellera d'elle-même petit à petit.



6.2 LA VASQUE

- Pour éviter que la vasque ne soit obstruée, il convient de retirer les cendres après chaque utilisation.
- Si des cendres mouillées restent trop longtemps dans la vasque ou si l'unité de cuisson OFYR se trouve dans une région très humide ou salée, de la rouille peut se former à l'intérieur et à l'extérieur de la vasque. Cette rouille peut facilement être enlevée à l'aide de la spatule. La vidéo « Entretien de la plaque de cuisson OFYR Corten » vous montre clairement comment procéder.

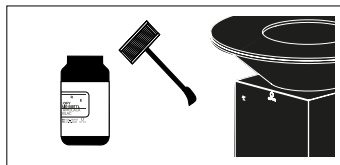


6.3 LE SOCLE

- Lors de la cuisson, le socle peut être éclaboussé d'huile. Sur les socles en acier Corten, ces éclaboussures ne peuvent pas être retirées. Toutefois, l'intégralité du socle en acier Corten peut être traitée avec de l'huile et un linge de cuisine, rendant ainsi les éclaboussures invisibles. Ce traitement rendra le socle plus foncé. En cas de pluie, de l'eau légèrement grasse peut s'écouler du socle en acier Corten, ce qui causerait des taches permanentes sur les surfaces en pierre claire ou en bois.
- Le socle en béton a été traité avec de la cire afin de rendre la surface brillante. En raison des conditions météorologiques et de la lumière du soleil, cette apparence brillante disparaîtra avec le temps. Par conséquent, le béton est livré avec de la cire supplémentaire pour rendre la base brillante à nouveau.

6.4 PRODUITS BLACK

- Bien que le laquage des unités de cuisson Black soit très résistant, il est toujours possible que des éraflures apparaissent. Un flacon de retouche est donc fourni gratuitement avec chaque unité de cuisson Black et permet de réparer les dommages mineurs.



7. CLAUSES DE NON-RESPONSABILITÉ

7.1 CONSEILS/INSTRUCTIONS EN MATIÈRE DE SÉCURITÉ, D'INSTALLATION, D'USAGE CONFORME ET D'ENTRETIEN

Nous ne sommes pas responsables des blessures ou des dommages résultant du non-respect de nos conseils/instructions en matière de sécurité, d'installation, d'usage conforme et d'entretien.

7.2 ACIER CORTEN

Les unités de cuisson OFYR® sont fabriquées en acier Corten, un acier avec une corrosion superficielle provoquée, qui offre une grande protection contre la corrosion. Lors de la livraison des unités de cuisson OFYR® en acier Corten, le processus de corrosion a déjà démarré. Il faudra entre 6 et 12 mois pour que la corrosion initiale devienne une couche de protection complète.

- i** La couleur de l'unité peut varier avec le temps étant donné que le processus de corrosion peut ne pas encore être terminé. Nous ne sommes pas responsables du changement de couleur.
- i** Tous les éléments en acier Corten qui sont moins corrodés que les autres à la livraison ne peuvent pas prétendre au remplacement. Tous les composants se corroderont naturellement avec le temps et l'influence des éléments extérieurs. Nous ne sommes pas responsables des différences de corrosion entre les différents éléments.
- i** Tant que la corrosion est superficielle, les éléments en acier Corten peuvent entraîner des taches oranges sur les vêtements, sur la peau et toute surface sur laquelle ils reposent. En cas de pluie, l'eau corrosive peut également s'écouler de ces éléments, ce qui provoquerait des taches permanentes sur les surfaces en pierre claire ou en bois. Nous ne sommes pas responsables des taches résultant de la corrosion.

7.3 ACIER LAQUÉ NOIR

- i** Notez que les unités de cuisson OFYR® Black sont dotées d'un revêtement et sont donc plus sensibles aux dommages lors de l'installation et de l'utilisation. Nous ne sommes pas responsables des dommages résultant de l'installation ou de l'utilisation de votre unité de cuisson OFYR® Black.
- i** En raison des éléments extérieurs et du rayonnement du soleil, le revêtement peut se décolorer. Nous ne sommes pas responsables de cette décoloration.

8. CONDITIONS DE LA GARANTIE PAR ÉLÉMENT

Une garantie limitée dans le temps s'applique au matériel et à la construction de toutes les unités de cuisson OFYR® pour les acheteurs ou les propriétaires d'origine. Ils doivent avoir acheté leur unité auprès d'un revendeur agréé et enregistré leur garantie de la manière requise via l'OFYR Club à l'adresse www.ofyr.club.

	B2C	B2B
Plaque de cuisson	5 ans	3 ans
Vasque en acier Corten	2 ans	1 an
Socle en acier Corten	5 ans	3 ans
Éléments en acier laqué noir	2 ans	1 an
Plans de travail en bois et en céramique	2 ans	1 an
Wooden & Ceramic Blocks	2 ans	1 an

Cette garantie couvre les défauts de fabrication. Elle s'applique aux acheteurs ou aux propriétaires d'origine des unités de cuisson OFYR® en acier Corten et OFYR® Black à condition que :

- Ils aient acheté leur unité auprès d'un revendeur agréé ;
- Ils aient assemblé, utilisé et entretenu leur unité de cuisson OFYR® conformément aux instructions reprises dans ce manuel.



NE SONT PAS COUVERTS PAR LA GARANTIE

- Usure, corrosion, déformation et décoloration des parties exposées au feu ;
- Corrosion et décoloration causées par des facteurs externes ;
- Irrégularités visuelles inhérentes au processus de fabrication ;
- Dommages causés par le non-respect de nos conseils/instructions en matière de sécurité, d'installation, d'usage prévu et d'entretien.

9. PLANS DE TRAVAIL EN BOIS

Tous les plans de travail en bois sont fabriqués en teck. Sa forte teneur en huile, sa résistance à la traction et son grain serré font du teck un matériau particulièrement adéquat lorsqu'il est question de résister aux éléments extérieurs.

9.1 USAGE CONFORME

- Le bois est un produit naturel et il doit donc être stocké à l'intérieur.
- N'utilisez pas les plans de travail en bois comme planches à découper. L'utilisation d'objets tranchants cause des dommages irréversibles.
- N'utilisez pas d'objets lourds, car exercer une grande force sur le plan de travail en bois peut entraîner des dommages irréversibles.

9.2 CONSEILS D'ENTRETIEN

- Avant la première utilisation : Nettoyez soigneusement le plan de travail à l'aide d'un détergent doux.
- Utilisez un linge humide et un détergent doux pour le nettoyage quotidien. Assurez-vous de nettoyer le plan de travail après chaque utilisation.
- Nettoyage des taches tenaces : utilisez un linge humide ou une éponge (pas de tampon à récurer) avec un détergent doux.
- Nettoyez le bois dans le sens des nervures afin de conserver la qualité du matériau.
- Séchez le plan de travail après l'avoir nettoyé.
- Tous les plans de travail en bois de teck ont été traités avec de l'huile végétale afin de les protéger de la poussière et de l'humidité. Nous recommandons aux utilisateurs de ces plans de travail de les traiter également une fois par an avec une telle huile, voire même plus souvent en cas d'usage fréquent.



Ne nettoyez pas les plans de travail en bois avec des substances corrosives et ne les mettez pas dans le lave-vaisselle.



Le plan de travail en bois doit être stocké à l'intérieur, dans un emplacement sec à faible taux d'humidité. De grandes différences de températures ainsi que l'humidité peuvent entraîner des déformations du bois.

10. PLANS DE TRAVAIL EN CÉRAMIQUE

La céramique est un produit cuit fabriqué de manière industrielle. Une impression est ajoutée sur le dessus de la couche d'argile, le composant principal, qui est ensuite cuite à température très élevée. La céramique se distingue par ses caractéristiques ultra pratiques : elle est hygiénique, résistante aux taches, aux éraflures et à la chaleur.

10.1 USAGE CONFORME

- La céramique est résistante aux éléments extérieurs et peut donc être stockée à l'extérieur tout au long de l'année.
- La céramique est une masse dure et très compacte, ce qui la rend relativement vulnérable aux impacts. Faites donc très attention, par exemple, avec des objets lourds, car l'impact qu'ils pourraient avoir en tombant sur le plan de travail pourrait causer des dommages irréversibles.
- Nous vous recommandons l'utilisation d'une planche à découper afin d'éviter d'émousser vos couteaux.
- Évitez l'utilisation d'acétone et de tout autre produit de nettoyage agressif tel que les produits de nettoyage pour métaux, de nettoyage à sec et autres produits ayant un pH inférieur à 2 ou supérieur à 12.
- Ne montez jamais sur le plan de travail céramique.

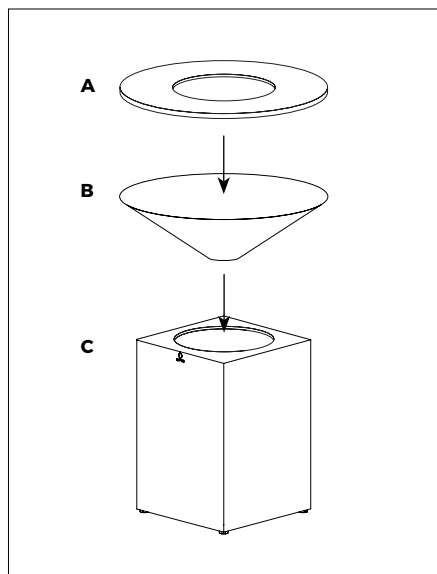
10.2 CONSEILS D'ENTRETIEN

- Avant la première utilisation : retirez tout résidu éventuel de colle à l'aide d'un grattoir en plastique et nettoyez soigneusement le plan de travail à l'aide d'un détergent doux.
- Utilisez un linge humide et un détergent doux pour le nettoyage quotidien. Assurez-vous de nettoyer le plan de travail après chaque utilisation.
- Nettoyez le plan de travail plus en profondeur plusieurs fois par an.
- Nettoyage des taches tenaces : utilisez un détergent doux et un linge humide ou une éponge (pas de tampon à récurer).
- Ne nettoyez pas les plans de travail à l'aide du lave-vaisselle.

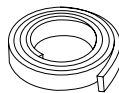
11. INSTRUCTIONS DE MONTAGE

11.1 INSTRUCTIONS DE MONTAGE

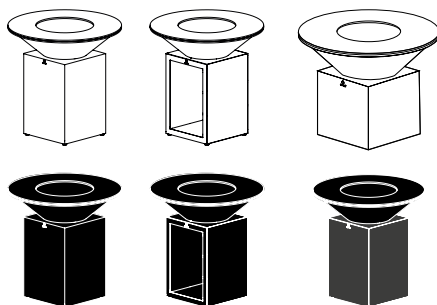
OFYR CLASSIC CORTEN / BLACK 85 ET 100, OFYR CLASSIC STORAGE CORTEN / BLACK 85 ET 100, OFYR CLASSIC CONCRETE 100 ET OFYR XL



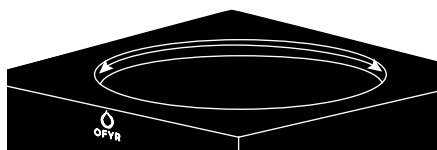
- A Plaque de cuisson
- B Vasque
- C Socle
- D Ceinture en feutre (uniquement pour les modèles Black)



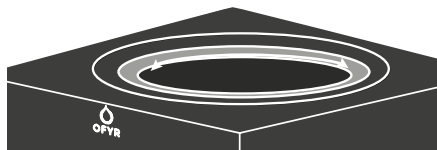
L'unité de cuisson OFYR doit être placée et assemblée par deux personnes car les éléments sont trop lourds pour être transportés par une seule personne. Pour l'OFYR XL, nous conseillons fortement de l'assembler avec 4 personnes.



GAMME BLACK METTEZ LA CEINTURE EN FEUTRE



GAMME CONCRETE METTEZ LA CEINTURE EN FEUTRE



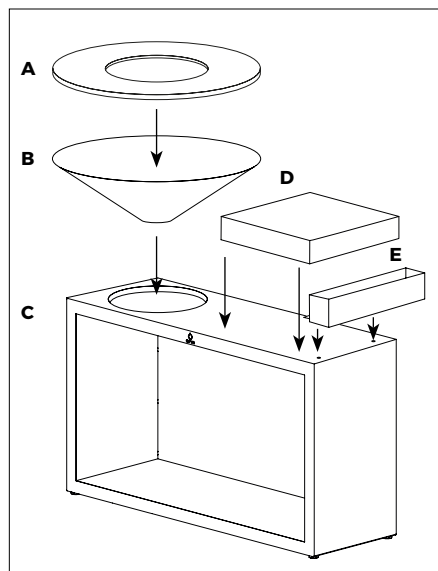
Placez le feutre sur l'intérieur du socle, évitant le contact direct entre la vasque et le socle.



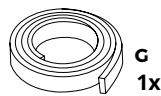
- A. Placez le milieu de la ceinture contre l'acier galvanisé.
- B. Pliez le feutre divisé de manière égale autour de l'anneau galvanisé.
- C. Puis, placez la vasque dans l'anneau.

11. INSTRUCTIONS DE MONTAGE

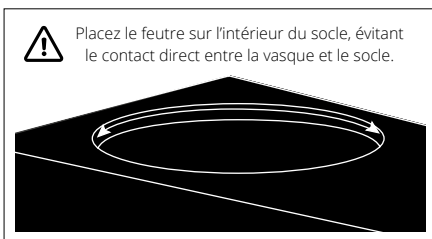
11.2 INSTRUCTIONS DE MONTAGE OFYR ISLAND CORTEN / BLACK 85 ET 100



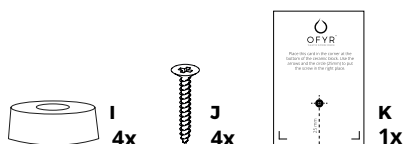
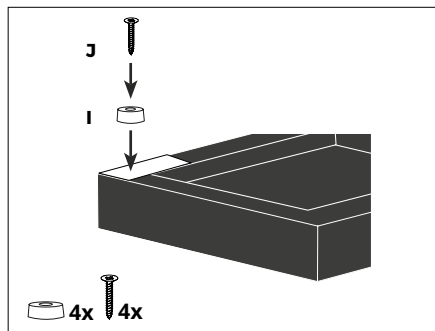
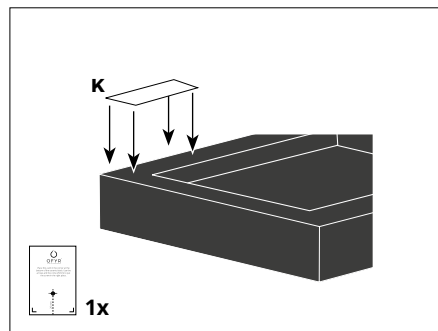
- A Plaque de cuisson
 - B Vasque
 - C Socle
 - D Plan de travail
 - E Bac de rangement
 - F Vis pour bac de rangement
 - G Ceinture en feutre
- (uniquement pour les modèles Black)



L'unité de cuisson OFYR doit être placée et assemblée par deux personnes car les éléments sont trop lourds pour être transportés par une seule personne.



i Uniquement pour les plans de travail en céramique



INHOUDSOPGAVE

1. INLEIDING	48
1.1 OFYR® Classic 85 en 100, Corten of Black of Concrete (alleen 100)	48
1.2 OFYR® Classic Storage 85 en 100, Corten of Black	48
1.3 OFYR® Island 85 en 100, Corten of Black	48
1.4 OFYR® XL	48
2. VEILIGHEIDS- EN INSTALLATIEVOORSCHRIFTEN	49
3. GEBRUIK	50
3.1 Brandhout	50
3.2 Opslagruimte	51
3.3 Vuur aanmaken	51
3.4 Eerste gebruik	52
3.4.1 Eerste vuur	52
3.4.2 Welke bakolie gebruiken	52
3.4.3 Tijd nodig om de kookplaat op te warmen	52
3.4.4 Fabrieksolie van de kookplaat verwijderen	52
3.4.5 Het vuur controleren	52
4. EERSTE KEER KOKEN	53
5. HET VUUR BLUSSEN EN DE AS VERWIJDEREN	53
5.1 Het vuur blussen	53
5.2 Het as verwijderen	53
6. ONDERHOUDSTIPS	53
6.1 De kookplaat	53
6.2 De kegel	54
6.3 De sokkel	54
6.4 Black producten	55
7. DISCLAIMERS	55
7.1 Veiligheids- en installatie-, gebruiks- en onderhoudsinstructies/tips	55
7.2 Cortenstaal	55
7.3 Zwart gecoat staal	55

8. GARANTIEVOORWAARDEN PER ONDERDEEL	56
9. HOUTEN BLOKKEN	56
9.1 Beoogd gebruik	56
9.2 Onderhoudstips	57
10. KERAMISCHE BLOKKEN	57
10.1 Beoogd gebruik	57
10.2 Onderhoudstips	57
11. MONTAGE-INSTRUCTIES	58
11.1 Montage instructies - OFYR® Classic 85 en 100, Corten en Black, OFYR® Classic Storage 85 en 100, Corten en Black, en OFYR® XL	58
11.2 Montage instructies - OFYR® Island 85 en 100, Corten en Black	59

SYMBOLLEN EN PICTOGRAMMEN



Gevaar! Risico op ernstig of dodelijk letsel of ernstige schade aan het product



Waarschuwing! Risico op letsel of schade aan het product.



Opmerking! Nuttige informatie.

1. INLEIDING

BEDANKT VOOR DE AANKOOP VAN EEN OFYR® PRODUCT. DEZE HANDLEIDING IS BEDOELD VOOR UW OFYR® CLASSIC (85 OF 100, CORTEN OF ZWART), OFYR® CLASSIC STORAGE (85 OF 100, CORTEN OF ZWART), OFYR® CLASSIC CONCRETE 100, OFYR® ISLAND (85 OF 100, CORTEN OF BLACK, TEAKHOUTEN BLOK OF KERAMISCH DONKERGRIJS BLOK) EN OFYR® XL.

1.1 OFYR® CLASSIC 85 EN 100, CORTEN OF BLACK OF CONCRETE (SLECHTS 100)

Deze buitenkooktoestellen bestaan uit een gesloten sokkel in Cortenstaal, zwart gecoat staal of beton (alleen 100), een kegel in cortenstaal of zwart gecoat staal, en een zwart stalen kookplaat.

.....

1.2 OFYR® CLASSIC STORAGE 85 EN 100, CORTEN OF BLACKK

Deze buitenkooktoestellen bestaan uit een open sokkel voor de opslag van hout en een kegel, beide in cortenstaal of zwart gecoat staal, en een zwart stalen kookplaat.

.....

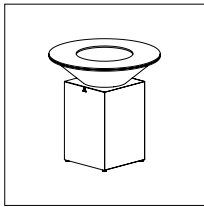
1.3 OFYR® ISLAND 85 AND 100, CORTEN OF BLACK

Deze buitenkooktoestellen bestaan uit een open sokkel voor de opslag van hout, een handig accessoirebakje en een kegel, alle drie in zowel cortenstaal als zwart gecoat staal, een zwart stalen kookplaat en een snijplank van teakhout of donkergrijs keramiek.

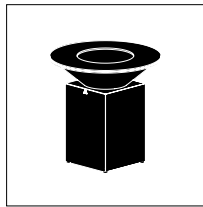
.....

1.4 OFYR® XL

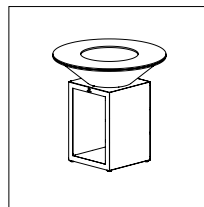
Deze buitenkookunit bestaat uit een gesloten sokkel en kegel, beide in cortenstaal en een zwart stalen kookplaat.



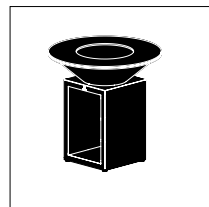
OFYR Classic
Corten



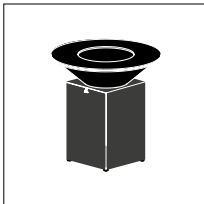
OFYR Classic
Black



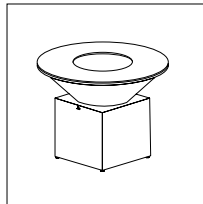
OFYR Classic
Storage Corten



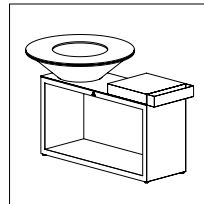
OFYR Classic
Storage Corten



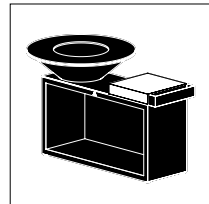
OFYR Classic
Concrete



OFYR XL



OFYR island
Corten



OFYR Island
Black

2. VEILIGHEIDSINSTRUCTIES



Vanwege het aanzienlijke gewicht van de elementen moet het uitpakken en plaatsen van het product door ten minste 2 personen gebeuren. In het geval van de OFYR® XL zelfs 4 personen.



Om bramen aan de randen van de stalen kookplaat van je OFYR®-kooktoestel te voorkomen, is het aangeraden om de kookplaat tijdens het transport niet te rollen. In geval van bramen is het niet meer mogelijk om de bovenkant schoon te schrapen met een spatel.



Omdat de corrosie nog steeds oppervlakkig is, kunnen de onderdelen in Cortenstaal oranje vlekken veroorzaken op kleding, huid en het oppervlak waarop ze staan. Bij regen, kan er ook roestwater van deze onderdelen aflopen, en permanente vlekken veroorzaken op licht getinte stenen of houten oppervlakken.



De veiligste manier om de kookplaat op de kegel te plaatsen is met 2 personen (de XL met 4 personen). Plaats deze halverwege, om hem vervolgens van de andere kant over de kegel te trekken totdat hij op zijn plaats klikt. Als de kookplaat niet recht op de kegel past, kun u hem draaien totdat de ring over de kegel valt. We raden het gebruik van handschoenen aan bij het plaatsen van de kookplaat. Zorg er ook voor dat u geen vlekken maakt op uw kleding wanneer u de onderdelen in Cortenstaal aanraakt.



De OFYR®-kooktoestellen Black zijn door hun coating gevoeliger voor beschadiging tijdens de installatie en het gebruik. De randen van de Beton sokkel zijn zeer kwetsbaar tijdens de montage.



Het OFYR®-kooktoestel dient uitsluitend op een hard, waterpas, hittebestendig en stabiel oppervlak geplaatst te worden.



Verplaats de OFYR®-kooktoestellen niet nadat ze zijn opgesteld. Dit kan leiden tot schade aan de voetjes of de blindklinkmoeren waarmee ze bevestigd zijn.



De verstelbare voetjes dienen niet gebruikt te worden om de totale hoogte van uw OFYR®-kooktoestel aan te passen. Als de verstelbare voetjes meer dan 10 mm worden uitgedraaid kan het toestel onstabiel worden.



Het gebruik van pure alcohol, benzine of andere chemische stoffen bij het aansteken van het vuur is zeer gevaarlijk en kan het voedsel op de kookplaat aantasten. Gebruik alleen aanmaakblokjes die voldoen aan EN 1860-3.



Laat uw OFYR®-kooktoestel tijdens het gebruik nooit onbeheerd achter.



Houd kinderen en huisdieren uit de buurt van het OFYR®-kooktoestel tijdens het gebruik en na het gebruik, wanneer het toestel nog warm is.



Gebruik het OFYR®-kooktoestel nooit binnenshuis of in een gedeeltelijk of volledig afgesloten ruimte. Dit kan een teveel aan gevaarlijke dampen genereren die kunnen leiden tot koolmonoxidevergiftiging.



Zorg er voor dat er in de buurt van je OFYR®-kooktoestel geen brandbare materialen zijn.



Indien u tropisch hardhout gebruikt bij het opwarmen van uw OFYR®-kooktoestel, is het raadzaam om kleine hoeveelheden tegelijkertijd te gebruiken. De hoeveelheid warmte die door deze houtsoort wordt opgewekt is zodanig, dat bij een grotere hoeveelheid tegelijkertijd de kookplaat gaat vervormen.



De as kan lange tijd erg heet blijven. Soms zelfs meerdere dagen. Voordat u de as in een gewone vuilnisbak doet, dien u deze eerst in een lege zinkbak te doen en er water overheen te gooien zodat de as helemaal nat is. Gooi de as pas nadien in een gewone vuilnisbak.



Gebruik nooit water om het vuur te blussen.

3. GEBRUIK

DE ONDERSTAANDE PUNTEN WORDEN OOK UITGELEGD VIA VIDEO'S OP WWW.OFYR.COM

3.1 BRANDHOUT

- Gebruik zeer droog hout met max. 20 % vochtigheid.
- Onze voorkeur gaat uit naar beukenhout dat dikke houtskool wordt. Essenhout werkt ook goed.
- Wees heel voorzichtig met het gebruik van tropisch hardhout, daar dit erg heet wordt. Bij teveel gebruik kan de plaat zich vervormen (zie Fig. 1).
- U kunt ook gebruik maken van houtskool, maar bij voorkeur in combinatie met brandhout.



Met de OFYR®-handschoenen kunt u de massa kolen gemakkelijk verplaatsen, als u de warmte ergens anders naartoe wilt leiden (zie Fig. 2).

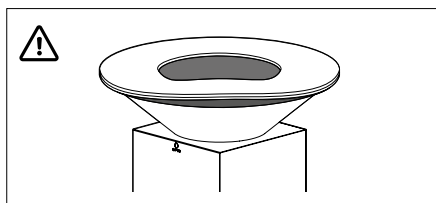


Fig. 1 - Vervormde plaat door het gebruik van te veel tropisch hardhout tegelijkertijd

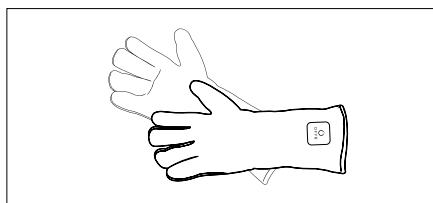


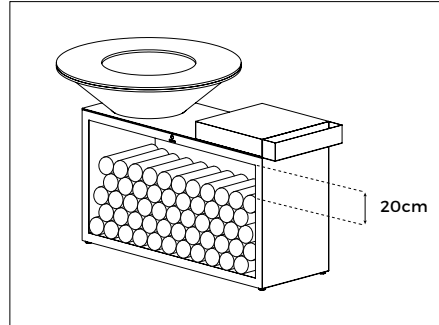
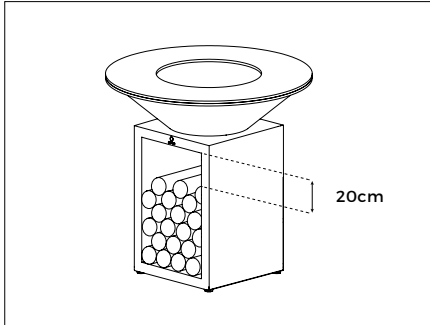
Fig. 2 - OFYR-handschoenen

3.2 OPSLAGRUIMTE

Wanneer u houtblokken of andere zaken opbergt in de opslagruimte van uw OFYR® Classic Storage of uw OFYR® Island, dient u ervoor de te zorgen dat er altijd een vrije ruimte van minimaal 20 cm is onder de asbak, omdat de asbak onder de kegel erg heet wordt.



Houtblokken of andere voorwerpen kunnen vlam vatten als dicht bij deze zeer hete bodem geplaatst worden, wat zeer gevaarlijke situaties kan veroorzaken.



3.3 VUUR AANMAKEN

Stapel de blokken hout twee op twee, alsof u een blokhut bouwt (zie Fig. 3), met de schorskant naar buiten gericht om rookvorming te voorkomen.



U kunt rookvorming bij het aansteken van het vuur of bij het toevoegen van nieuw brandhout grotendeels voorkomen door gebruik te maken van onze OFYR® Buffadoo blaaspip (zie Fig. 4), waardoor het nieuwe hout vrijwel onmiddellijk vuur vat.



Het ideale formaat voor de houtblokken is ongeveer 10 x 30 cm. We raden af om grotere blokken hout te gebruiken. Deze hebben de neiging snel vuur te vatten, maar branden over het algemeen niet goed op vanwege het gebrek aan ruimte voor zuurstof in de kegel.



Voor een avondje koken (4 tot 5 uur) heeft u gemiddeld ongeveer twee OFYR® houttassen van elk ongeveer 50 liter nodig, afhankelijk van de buitentemperatuur en de weersomstandigheden.

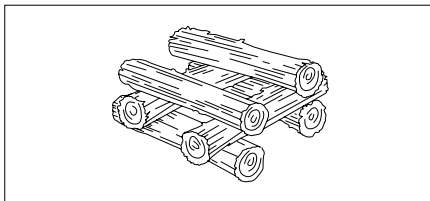


Fig. 3 - Stapel de houtblokken twee op twee.

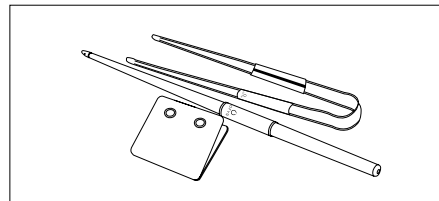


Fig. 4 - OFYR Buffadoo set

3.4 EERSTE GEBRUIK

3.4.1 Eerste vuur

Volg de procedure zoals hierboven. Het is belangrijk om een kleiner vuur aan te maken gedurende ongeveer 30 minuten, zodat de kookplaat zich goed kan zetten. Tijdens de fabricage werd het midden van de kookplaat licht ingedrukt. Bij het opwarmen van de kookplaat, zal deze verder naar beneden buigen. Indien bij het eerste gebruik van het OFYR®-kooktoestel het vuur te groot is, kan dit ervoor zorgen dat de kookplaat bij later gebruik te ver naar beneden buigt. Het is erg belangrijk om de kookplaat goed voor te bereiden volgens de hierboven beschreven procedure. In sommige gevallen kan de kookplaat in het midden naar boven buigen en daardoor convex worden (zie Fig. 5). Dit betekent dat het staal een verkeerde spanning heeft. Indien dit het geval is, neem dan contact op met uw dealer.

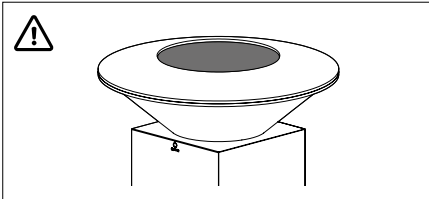


Fig. 5 - Upwards bulged cooking plate

3.4.2 Welke bakolie gebruiken

Gebruik bij voorkeur plantaardige olie.

We raden u aan olijfolie te gebruiken bij eerste 2 à 3 keer dat u het OFYR®-kooktoestel gebruikt. Olijfolie heeft een lager verbrandingspunt, waardoor de kookplaat een mooie bruinzwarte tint krijgt. Na de eerste paar toepassingen kunt u oliën met een hoger verbrandingspunt gebruiken, zoals zonnebloemolie of arachideolie.

3.4.3 Tijd nodig om de kookplaat op te warmen



De buitentemperatuur speelt een belangrijke rol bij de tijd die nodig is om de kookplaat goed op te warmen. Deze tijd kan variëren tussen 25 en 30 minuten in de lente en zomer tot 45 à 60 minuten in de herfst en winter. De kookplaat heeft een dikte van 12 mm en vergt dus behoorlijk wat vuur om deze goed op te warmen.

3.4.4 Fabrieksolie van de kookplaat verwijderen

Zodra de kookplaat echt goed is opgewarmd, besprenkel u hem met olijfolie en wrijft u deze in over de gehele plaat met een theedoek. De olijfolie vermengt zich met de fabrieksolie, waardoor het gemakkelijker is om deze te verwijderen. Als u olijfolie op de plaat giet terwijl deze nog niet goed opgewarmd is, komt er een kleverige zwarte stof vrij die niet gemakkelijk te verwijderen is. Herhaal dit proces 2 tot 3 keer. Schraap vervolgens de kookplaat met de bijgevoegde spatel en duw het schraapsel in het vuur. In ons assortiment vindt u eveneens een PRO spatel voor intensief gebruik in een professionele omgeving. Zodra alleen nog beige schraapsel van de plaat komt, is de kookplaat klaar om gebruikt te worden. Besprenkel hem nog een keer met olijfolie en wrijf deze uit en begin met koken!

3.4.5 Het vuur controleren

Afhankelijk van de weersomstandigheden en de buitentemperatuur kan de kookplaat een temperatuur bereiken van ongeveer 300°C aan de binnenrand en ongeveer 200°C aan de buitenrand. Om deze temperaturen te bereiken, dient u een vuur op te bouwen volgens de bovengenoemde blokhutmethode. Zodra het hout van uw eerste vuur goed brandt, verspreid u de hete massa onder de randen van de kookplaat en voegt u nieuw hout toe in het midden, met de schorskant naar boven. Herhaal het proces zolang u de kookplaat warm wilt houden. U zult merken dat u in de herfst en winter veel meer hout nodig hebt om de kookplaat warm te houden dan in de lente en zomer. Als het waait, is de kookplaat het heetst waar de wind het OFYR®-kooktoestel verlaat, dus in de richting van de wind. U kunt dit compenseren door meer hete kolen onder de rand in de tegenovergestelde richting te duwen.

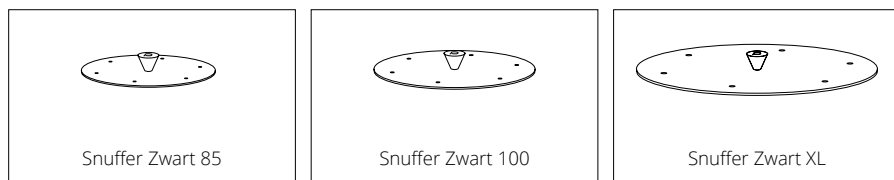
4. EERSTE KEER KOKEN

OP WWW.OFYR.COM STAAN DIVERSE KORTE VIDEO'S DIE DE KOOKTECHNIEKEN VOOR OFYR UITLEGGEN. ONS OFYR KOOKBOEK 'THE ART OF OUTDOOR COOKING' BEVAT 72 GEMAKKELIJK TE VOLGEN RECEPTEN VOOR THUIS MET SIMPELE, SMAAKVOLLE INGREDIËNTEN.

5. HET VUUR BLUSSEN

5.1 HET VUUR BLUSSEN

Het verdient de voorkeur om het vuur zelf uit te laten gaan. Voor veiligheidsredenen kunnen de vlammen afgedekt worden met de Snuffer 85, 100 of XL. Het vuur zal echter niet uitgaan door afdekking met deze deksel, omdat er nog steeds enige zuurstoftoevoer is. Als het vuur langere tijd met de Snuffer afgedekt wordt, zal er sterke rookvorming optreden. Als de Snuffer vervolgens verwijderd wordt, kunnen er grote vlammen ontstaan door de plotselinge zuurstoftoevoer. Hete as en kolen die als resten van het opgebrachte hout overblijven kunnen met de Snuffer afgedekt worden om te vermijden dat deze wegwaaien.



5.2 DE AS VERWIJDEREN

De as kan lange tijd erg heet blijven. Soms zelfs meerdere dagen. Voordat u de as in een gewone vuilnisbak doet, dient u deze eerst in een lege zinkbak te doen en er water overheen te gooien zodat de as helemaal nat is. Gooi de as pas nadien in een gewone vuilnisbak.

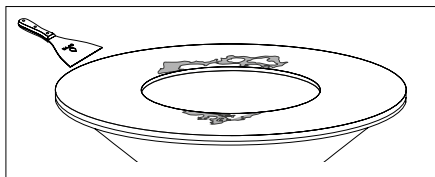
6. ONDERHOUDSTIPS

DE ONDERSTAANDE PUNTEN WORDEN OOK UITGELEGD VIA VIDEO'S OP WWW.OFYR.COM.

6.1 DE KOOKPLAAT

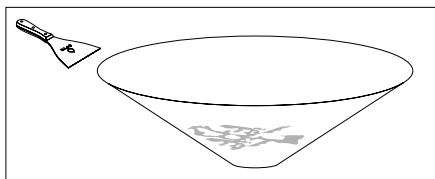
- De kookplaat is gemaakt van zwart staal en zal roesten wanneer de olie niet voldoende ingebrand wordt. Zodra de olie goed is ingebrand, zal er slechts geringe corrosie ontstaan. Wanneer de kookplaat voor lange tijd niet wordt gebruikt, raden we aan deze om de 15 tot 30 dagen met olie te behandelen. De hoeveelheid corrosie is sterk afhankelijk van het klimaat. Zoute, vochtige lucht heeft natuurlijk meer invloed dan droge lucht. Het is niet aangeraden om een koude kookplaat te behandelen met bakolie. Gebruik in de plaats een spuitbus met paninvetter.

- Als u uw OFYR®-kooktoestel veelvuldig gebruikt, zal er zich een gladde koolstoflaag op de kookplaat ontstaan, waardoor deze extra glad en extra comfortabel wordt. Af en toe kan deze laag hier en daar barsten. Als u merkt dat deze op sommige plaatsen schilfert, kan u de schilfers er eenvoudig afschrappen met de hulp van een spatel en wrijft u er opnieuw olie op. Op deze manier zal koolstoflaag zich geleidelijk vernieuwen.



6.2 DE KEGEL

- Om te voorkomen dat de kegel verstopt raakt, dient u de as na elk gebruik te verwijderen.
- Als de vochtige as te lang in de kegel blijft of als de OFYR Cooking Unit zich in een zeer natte of zoute omgeving bevindt, kunnen er zowel aan de binnenkant als aan buitenkant van de kegel in het Cortenstaal staalschilfers ontstaan. Deze schilfers kunnen gemakkelijk verwijderd worden met de hulp van de spatel. De video 'Onderhoud van de OFYR Corten kegel' laat duidelijk zien hoe dit gedaan moet worden.

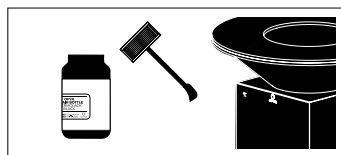


6.3 DE SOKKEL

- Tijdens het koken kunnen er oliespetters op de sokkel terecht komen. Deze kunnen niet verwijderd worden van de Corten-stalen sokkels. U kunt echter wel de gehele sokkel met olie en een theedoek behandelen, waardoor de spetters onzichtbaar worden. Een dergelijke behandeling maakt de hele sokkel donkerder. Als het regent, kan er licht vettig water van de Corten-sokkel lopen, wat permanente vlekken kan veroorzaken op licht getinte stenen of houten oppervlakken.
- De betonnen sokkel is behandeld met was om het oppervlak glanzend te maken. Door het weer en het zonlicht zal de glans in de loop van de tijd verdwijnen. Daarom worden de Concrete kooktoestellen geleverd met extra was om de sokkel weer te laten glanzen.

6.4 BLACK PRODUCTEN

- Hoewel de coating van de Black Cooking Units erg robuust is, is het altijd mogelijk dat er krassen ontstaan. Daarom wordt bij elke Black Cooking Unit een gratis retoucheerfles meegeleverd, die gebruikt kan worden om kleine beschadigingen te herstellen.



7. DISCLAIMERS

7.1 VEILIGHEIDS-, INSTALLATIE-, GEBRUIKS- EN ONDERHOUDSVOORSCHRIFTEN/TIPS

Wij zijn niet aansprakelijk voor enig letsel of schade als gevolg van het niet opvolgen van onze veiligheids-, installatie-, gebruiks- en onderhoudsvoorschriften/tips.

7.2 CORTENSTAAL

De OFYR® Corten Cooking Units zijn gemaakt uit Cortenstaal: een metaal met een natuurlijke corrosielaag die beschermt tegen roestperforatie. De OFYR® Corten Cooking Units worden zo geleverd dat het corrosieproces al begonnen is. Na levering duurt het nog 6 tot 12 maanden voordat de oorspronkelijke corrosie omgezet wordt in een volledig beschermende laag.

- i** De kleur van het toestel kan in de loop van de tijd wijzigen omdat het corrosieproces mogelijk nog niet volledig is afgelopen. Wij zijn niet aansprakelijk voor dergelijke verkleuring.
- i** Onderdelen in Cortenstaal die bij levering minder gecorrodeerd zijn dan andere, komen niet in aanmerking voor vervanging. Alle onderdelen zullen na verloop van tijd op natuurlijke wijze corroderen onder invloed van het weer. Wij zijn niet aansprakelijk voor eventuele verschillen in corrosie tussen de verschillende onderdelen.
- i** Hoewel de corrosie oppervlakkig is, kunnen de onderdelen in Cortenstaal oranje vlekken veroorzaken op kleding, huid en het oppervlak waarop ze staan. Bij regen, kan er ook roestwater van deze onderdelen afvloeien, wat permanente vlekken kan veroorzaken op licht getinte stenen of houten oppervlakken. Wij zijn niet aansprakelijk voor vlekken als gevolg van corrosie.

7.3 ZWART GEOCOAT STAAL

- i** Houd er rekening mee dat het OFYR®-kooktoestel Black een coating heeft en daardoor gevoeliger is voor beschadiging tijdens installatie en gebruik. Wij zijn niet aansprakelijk voor enige gevolgschade als gevolg van de installatie of het gebruik van uw OFYR®-kooktoestel Black.
- i** Door weersinvloeden en zonlicht kan de coating verkleuren. Wij zijn niet aansprakelijk voor dergelijke verkleuring.

8. GARANTIEVOORWAARDEN PER ELEMENT

Er geldt een beperkte tijdsgebonden garantie op het materiaal en de constructie van alle OFYR®-kooktoestellen voor de oorspronkelijke kopers of eigenaars, op voorwaarde dat ze hun kooktoestel bij een erkende dealer hebben gekocht en hun garantie op de vereiste manier hebben geregistreerd via de OFYR Club op www.ofyr.club.

	B2C	B2B
Kookplaat	5 jaar	3 jaar
Kegel in Cortenstaal	2 jaar	1 jaar
Sokkel in Cortenstaal	5 jaar	3 jaar
Gecoate stalen onderdelen	2 jaar	1 jaar
Concrete onderdelen	2 jaar	1 jaar
Houten en keramische blokken	2 jaar	1 jaar

Deze garantie dekt fabricagefouten. Ze is van toepassing op de oorspronkelijke kopers of eigenaars van een OFYR®-kooktoestel Corten en OFYR®-kooktoestel Black, op voorwaarde dat:

- Ze hun toestel gekocht hebben bij een erkende dealer
- Ze het OFYR®-kooktoestel gemonteerd, gebruikt en onderhouden hebben volgens de instructies in deze handleiding.



NIET GEDEKT DOOR GARANTIE

- Slijtage, corrosie, vervorming en verkleuring van aan vuur blootgestelde onderdelen;
- Corrosie en verkleuring veroorzaakt door invloeden van buitenaf;
- Visuele onregelmatigheden die inherent zijn aan het fabricageproces;
- Schade veroorzaakt door het niet opvolgen van onze veiligheids-, installatie-, gebruiks- en onderhoudsinstructies/tips.

9. HOUTEN BLOKKEN

Alle houten blokken zijn gemaakt van Teakhout. Het hoge oliegehalte, de hoge treksterkte en de strakke korrel van Teakhout maken het bijzonder geschikt waar weersbestendigheid gewenst is.

9.1 BEOOGD GEBRUIK

- Hout is een natuurlijk product en moet daarom binnenshuis worden opgeslagen.
- Gebruik de houten blokken niet als snijplank. Het gebruik van scherpe voorwerpen veroorzaakt onherstelbare schade.
- Gebruik geen zware voorwerpen, omdat de grote last die wordt uitgeoefend op het houten blok onherstelbare schade kan veroorzaken.

9.2 ONDERHOUDSTIPS

- Voor het eerste gebruik: reinig het werkblad grondig met een mild schoonmaakmiddel.
- Gebruik voor de dagelijkse reiniging een vochtige doek en een mild reinigingsmiddel. Zorg ervoor dat je het blok na elk gebruik schoonmaakt.
- Reiniging van hardnekkige vlekken: gebruik een vochtige doek of een spons (geen schuursponsje) samen met een mild schoonmaakmiddel.
- Reinig het hout in de richting van de nerf om de kwaliteit van het materiaal te behouden.
- Droog het blok na het reinigen.
- Alle teakhouten blokken zijn behandeld met plantaardige olie om ze te beschermen tegen vuil en vocht. Wij raden de gebruikers van deze producten ook aan om deze blokken minimaal één keer per jaar met dergelijke olie te behandelen. Indien nodig vaker, bij veelvuldig gebruik.



Reinig de houten blokken niet met bijtende stoffen en reinig ze niet in de vaatwasser.



Het houten blok moet binnen worden opgeslagen, op een droge plaats met een lage luchtvochtigheid. Door grote temperatuurverschillen en vochtigheid kan het hout kromtrekken.

10. KERAMISCHE BLOKKEN

Keramik is een industrieel vervaardigd, gebakken product. Op de bovenste kleilaag, het hoofdbestanddeel, wordt een print aangebracht, die vervolgens op extreem hoge temperatuur wordt gebakken. Kenmerkend voor keramik zijn de zeer praktische eigenschappen: het is hygiënisch en bestand tegen vlekken, krassen en hitte.

10.1 BEOOGD GEBRUIK

- Keramik is weerbestendig en kan permanent buiten worden opgeslagen.
- Keramik is een zeer compacte en taai massa, waardoor het relatief kwetsbaar is voor impactschade. Wees daarom voorzichtig met bijvoorbeeld zware voorwerpen, want de impact wanneer deze op een werkblad vallen kan onherstelbare schade veroorzaken.
- We raden ook aan om een snijplank te gebruiken, om te voorkomen dat uw messen bot worden.
- Vermijd contact met aceton en met extreem agressieve schoonmaakmiddelen, zoals metaalreinigers, drainagereinigingsmiddelen en andere producten met een pH-waarde <2 of >12.
- Ga nooit op het keramische blok staan.

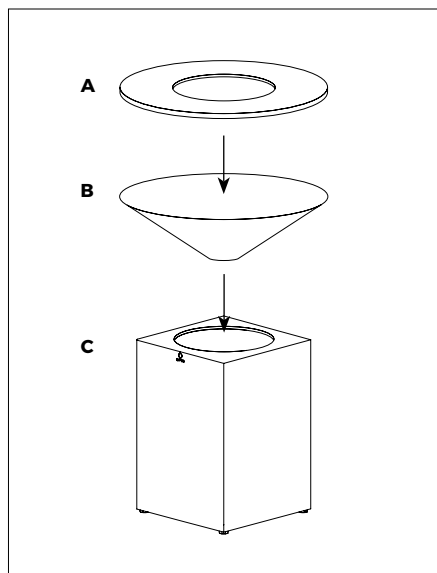
10.2 ONDERHOUDSTIPS

- Voor het eerste gebruik: verwijder de eventuele lijmresten met een plastic schraper en reinig het werkblad grondig met een mild schoonmaakmiddel.
- Gebruik voor de dagelijkse reiniging een vochtige doek met een mild reinigingsmiddel. Zorg ervoor dat u het blok na elk gebruik schoonmaakt.
- Maak het blok een paar keer per jaar intensiever schoon.
- Reiniging van hardnekkige vlekken: gebruik een mild schoonmaakmiddel samen met een vochtige doek of spons (geen schuursponsje).
- Maak de blokken niet schoon in de vaatwasser.

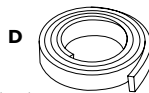
11. MONTAGE-INSTRUCTIES

11.1 MONTAGE INSTRUCTIES

OFYR CLASSIC CORTEN / BLACK 85 EN 100, OFYR CLASSIC STORAGE CORTEN / BLACK 85 EN 100, OFYR CLASSIC CONCRETE 100 EN OFYR XL

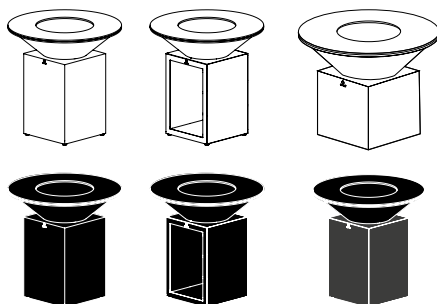


- A. Kookplaat
- B. Kegel
- C. Sokkel
- D. Vilt (alleen voor de zwarte eenheden)

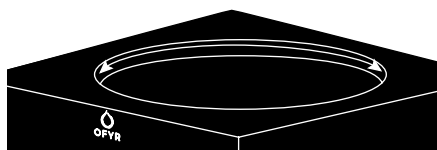


Het OFYR-kooktoestel moet door twee personen worden geplaatst en gemonteerd, omdat de onderdelen te zwaar zijn voor één persoon.

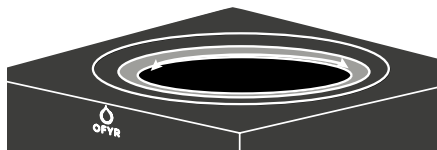
Het wordt sterk aangeraden om de OFYR XL met 4 personen te assembleren.



BLACK LIJN - PLAATSEN VAN HET VILT



CONCRETE LIJN - PLAATSEN VAN HET VILT



Plaats het vilt aan de binnenkant van de sokkel, waardoor direct contact tussen kegel en sokkel wordt uitgesloten.

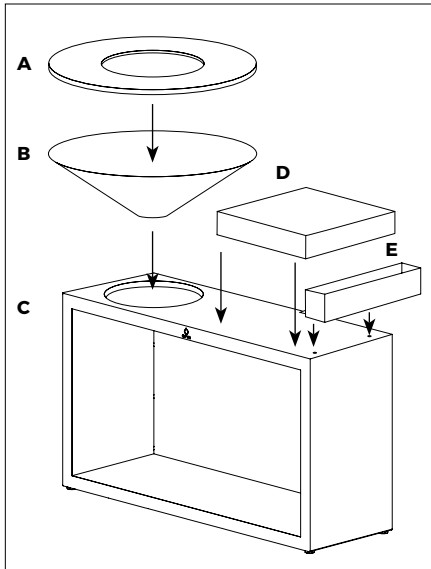


- A. Plaats het middelste deel van het vilt tegen het gegalvaniseerde staal.
- B. Vouw het vilt gelijkmatig verdeeld om de gegalvaniseerde ring.
- C. Plaats dan de kegel in de ring.

11. MONTAGE-INSTRUCTIES

11.2 MONTAGE INSTRUCTIES

OFYR ISLAND CORTEN / BLACK 85 EN 100



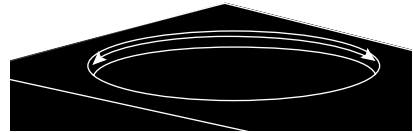
- A. Kookplaat
- B. Kegel
- C. Sokkel
- D. Blok
- E. Houder
- F. Schroeven voor houder
- G. Vilt (alleen voor de zwarte toestellen)



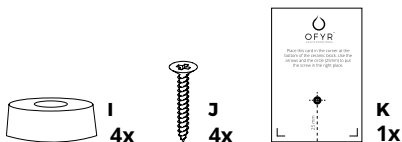
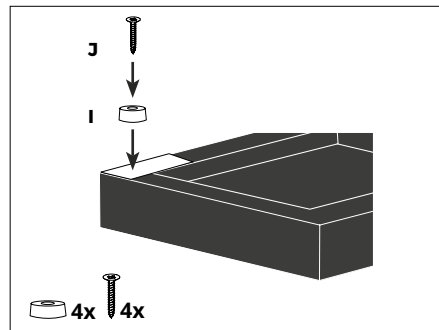
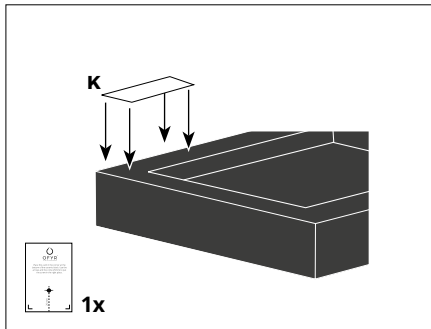
De OFYR-kookunit moet door twee personen worden geplaatst en gemonteerd, omdat de onderdelen te zwaar zijn voor één persoon.



Plaats het vilt aan de binnenkant van de sokkel, waardoor direct contact tussen kegel en sokkel wordt uitgesloten.



i Alleen voor keramisch blok



ÍNDICE

1. INTRODUCCIÓN	62
1.1 OFYR® Classic 85 y 100, Corten, Black o Concrete (sólo en 100)	62
1.2 OFYR® Classic Storage 85 y 100, Corten o Black	62
1.3 OFYR® Island 85 y 100, Corten o Black	62
1.4 OFYR® XL	62
2. SEGURIDAD E INSTRUCCIONES DE MONTAJE	63
3. USO	64
3.1 Leña	64
3.2 Espacio de almacenamiento	65
3.3 Cómo hacer fuego	65
3.4 Primer uso	66
3.4.1 Primer fuego	66
3.4.2 Qué aceite de cocina utilizar	66
3.4.3 Tiempo necesario para calentar la plancha	66
3.4.4 Cómo quitar el aceite de fábrica de la plancha	66
3.4.5 Cómo controlar el fuego	66
4. CÓMO CONTROLAR EL FUEGO	67
5. CÓMO APAGAR EL FUEGO Y RETIRAR LAS CENIZAS	67
5.1 Cómo apagar el fuego	67
5.2 Cómo retirar las cenizas	67
6. CONSEJOS DE MANTENIMIENTO	67
6.1 La plancha	67
6.2 El cono	68
6.3 La base	68
6.4 Productos de color negro	69
7. DESCARGOS DE RESPONSABILIDAD	69
7.1 Instrucciones y consejos de seguridad, de uso previsto y de mantenimiento	69
7.2 Acero corten	69
7.3 Acero lacado en negro	69

8. CONDICIONES DE GARANTÍA POR ELEMENTO	70
<hr/>	
9. BLOQUES DE MADERA	70
<hr/>	
9.1 Uso previsto	70
9.2 Consejos de mantenimiento	71
10. BLOQUES DE CERÁMICA	71
<hr/>	
10.1 Uso previsto	71
10.2 Consejos de mantenimiento	71
11. INSTRUCCIONES DE MONTAJE	72
<hr/>	
11.1 Instrucciones de montaje - OFYR® Classic 85 y 100, Corten y Black, OFYR® Classic Storage 85 y 100, Corten y Black y OFYR® XL.	72
11.2 Instrucciones de montaje - OFYR® Island 85 y 100, Corten o Black.	73

SÍMBOLOS E ICONOS



¡Peligro! Riesgo de lesiones graves o mortales o de daños graves en el producto.



¡Advertencia! Riesgo de lesiones o daños en el producto



¡Aviso! Información útil.

1. INTRODUCCIÓN

GRACIAS PARA COMPRAR UN PRODUCTO OFYR®. ESTE MANUAL ESTA INTENCIONADO A SU OFYR® CLASSIC (85 O 100, CORTEN O BLACK), OFYR® CLASSIC STORAGE (85 O 100, CORTEN O BLACK), OFYR® CLASSIC CONCRETE 100, OFYR® ISLAND (85 O 100, CORTEN O BLACK, BLOQUE DE TECA O UN BLOQUE DE CERAMICA GRIS OSCURO) Y OFYR® XL.

1.1 OFYR® CLASSIC 85 Y 100, CORTEN O BLACK O CONCRETE (SÓLO EN 100).

Estas cocinas exteriores consisten en un pedestal cerrado de acero corten, acero revestido de negro o hormigón (sólo en 100), un cono de acero corten o acero revestido de negro y una plancha de acero.

.....

1.2 OFYR® CLASSIC STORAGE 85 Y 100, CORTEN O BLACK

Estas cocinas exteriores consisten en un pedestal abierto para guardar madera y un cono, ambos en acero corten o acero revestido de negro y una plancha de acero.

.....

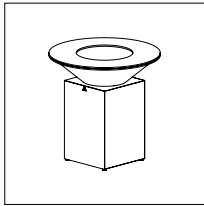
1.3 OFYR® ISLAND 85 Y 100, CORTEN O BLACK

Estas cocinas exteriores consisten en una base abierta para guardar madera, una bandeja práctica para accesorios y un cono. Los tres son disponible en acero corten, acero revestido de negro, una plancha de acero y una mesa para cortar en madera de teca o cerámica en gris oscura.

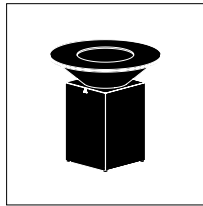
.....

1.4 OFYR® XL

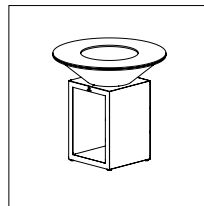
Esta cocina exterior consiste en un pedestal y un cono cerrado, ambos de acero corten y una plancha de acero.



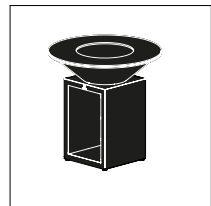
OFYR® Classic
Corten



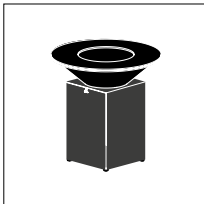
OFYR® Classic
Black



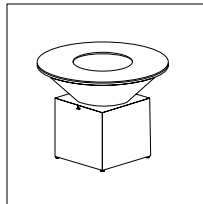
OFYR® Classic
Storage Corten



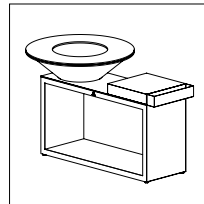
OFYR® Classic
Storage Corten



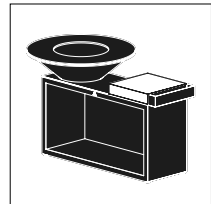
OFYR® Classic
Concrete



OFYR® XL



OFYR® island
Corten



OFYR® Island
Black

2. INSTRUCCIONES DE SEGURIDAD



Debido al considerable peso de los elementos, deberán participar al menos 2 personas en el desembalaje y la colocación del producto. En el caso del OFYR® XL incluso 4 personas.



Para evitar que aparezcan irregularidades en los bordes de la plancha de acero de su unidad de cocina OFYR®, no haga rodar la plancha durante el transporte. Si aparecen irregularidades, la parte superior ya no se podrá raspar adecuadamente con la espátula.



Aunque la corrosión es superficial, los elementos de acero corten pueden ocasionar manchas anaranjadas en la ropa, la piel y la superficie sobre la que se encuentren. Bajo la lluvia, también es posible que salga agua corrosiva de estos elementos, la cual puede manchar permanentemente superficies de piedra o madera de tono claro.



Para colocar la plancha de cocina en el cono entre 2 personas (el XL con 4 personas), el procedimiento más seguro es colocarla a medias y luego tirar de ella sobre el cono desde un lado hasta que quede encajada en su sitio. Si la plancha no encaja en el cono quedándose a nivel, puede girarla hasta que el anillo se asiente sobre el cono. Recomendamos el uso de guantes al colocar la plancha. Al tocar los elementos de acero corten, también conviene prestar atención para no mancharse la ropa.



Las unidades de cocina OFYR® negras son más sensibles a los daños durante la instalación, ya que están lacadas. Los bordes de la base de hormigón son muy vulnerables durante el montaje.



Coloque su unidad de cocina OFYR® únicamente sobre una superficie dura, nivelada, resistente al calor y estable.



No cambie las componentes del OFYR® después de que se hayan instalado. Esto puede causar daños a los pies ajustables o a las tuercas remachables con las que están fijadas.



No utilice los pies ajustables para cambiar la altura de la unidad de cocina OFYR®. La unidad puede volver a estar inestable si los pies están extendidos a más de 10mm.



El uso de alcohol puro, gasolina u otras sustancias químicas al encender los fuegos es muy peligroso y puede afectar a la comida colocada sobre la plancha. Sólo use encendedores que cumplan con la norma EN 1860-3.



Nunca deje su unidad de cocina OFYR® desatendida durante el uso.



Mantenga a los niños y a los animales de compañía alejados de la unidad de cocina OFYR® durante el uso y después del uso, mientras la unidad permanezca caliente.



Nunca utilice una unidad de cocina OFYR® en interiores o en un espacio parcial o totalmente cerrado. Esto ocasiona un exceso de humos peligrosos que pueden producir una intoxicación por monóxido de carbono.



Asegúrese de que no haya ningún material inflamable en la zona de alrededor de la unidad de cocina OFYR®.



Cuando utilice madera dura tropical para calentar la unidad de cocina OFYR®, añada cantidades pequeñas cada vez. La cantidad de calor generada por este tipo de madera es tal que si se utilizan cantidades iguales a las de otras maderas, la plancha se puede deformar.



Las cenizas pueden permanecer muy calientes durante un largo tiempo; a veces incluso durante más días. Por lo tanto, antes de desechar las cenizas en un cubo normal, póngalas primero en un cubo de zinc vacío y vierta agua sobre ellas para que queden completamente empapadas. A partir de entonces sí se podrán desechar en su cubo habitual.



No apague nunca el fuego con agua.

3. USO

LOS ELEMENTOS QUE SE MENCIONAN A CONTINUACIÓN TAMBIÉN SE EXPLICAN POR VÍDEO EN WWW.OFYR.COM

3.1 LEÑA

- Utilícese leña muy seca con un máximo de 20% de humedad.
- Nuestra leña preferida es la madera de haya, la cual se convierte en carbón grueso. La madera de fresno también funciona bien.
- Tenga mucho cuidado con el uso de madera dura tropical, la cual genera mucho calor. Si se usa demasiada cantidad de ella, la placa podría deformarse (véase Fig. 1).
- También se puede utilizar carbón vegetal, pero preferiblemente en combinación con leña.



El uso de los guantes OFYR® permite desplazar la masa de carbón con facilidad si se quiere dirigir el calor a otro lugar (véase Fig. 2).

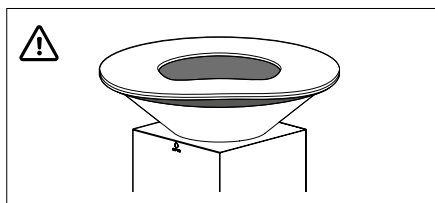


Fig. 1 - Plancha deformada debido al uso de demasiada madera tropical al mismo tiempo

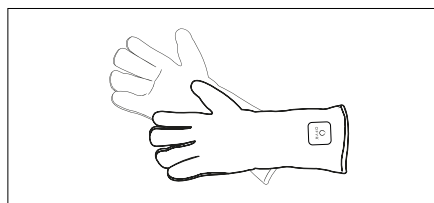


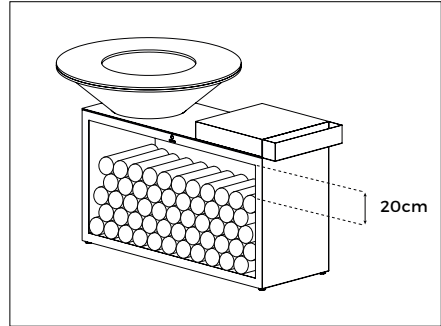
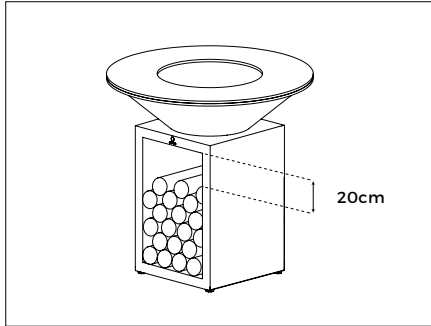
Fig. 2 - Guantes OFYR

3.2 ESPACIO DE ALMACENAMIENTO

Al almacenar troncos u otros objetos en el espacio de almacenamiento de la OFYR® Classic Storage o OFYR® Island, deje siempre un espacio libre de al menos 10 cm bajo el cenicero, ya que el cenicero se calienta mucho bajo el cono.



Cuando se colocan troncos o otros cosas muy cerca del fondo muy caliente, lo pueden inflamarse, que puede causar situaciones muy peligrosas.



ES

3.3 CÓMO HACER FUEGO

Apile los pedazos de madera de dos en dos, como si estuviera construyendo una cabaña de troncos (véase Fig. 3), con la corteza hacia afuera para evitar aún más la formación de humo.



La formación de humo al encender el fuego o al añadir más leña puede evitarse en mayoría utilizando nuestro soplador OFYR® Buffadoo (véase Fig. 4), el cual permite que la nueva madera prenda fuego casi instantáneamente.



El tamaño ideal de los troncos es de unos 10 x 30 cm. Aconsejamos no utilizar trozos de madera más grandes. Estos tienden a prender fuego rápidamente, pero no suelen quemarse adecuadamente debido a la falta de espacio para el oxígeno en el cono.



Para cocinar una tarde-noche (4-5 horas) se necesitan como media alrededor de dos bolsas de leña OFYR® de unos 50 litros cada una, dependiendo de la temperatura exterior y las condiciones climáticas.

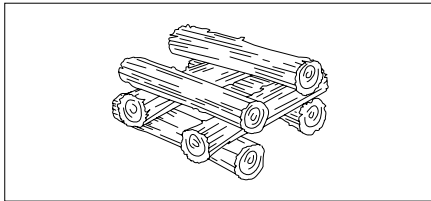


Fig. 3 - Apile los pedazos de leña de dos en dos.

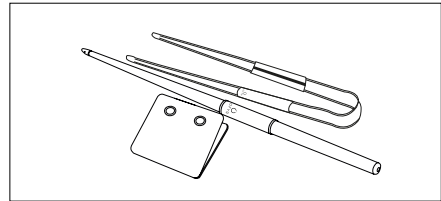


Fig. 4 - Set OFYR Buffadoo

3.4 PRIMER USO

3.4.1 Primer fuego

Sírvase proceder como se mencionó anteriormente, pero es importante encender un fuego más pequeño durante unos 30 minutos para permitir que la plancha se asiente correctamente. Durante la fabricación, el centro de la plancha se presionó ligeramente hacia abajo. Cuando la plancha se calienta, se inclina aún más, pero si enciende un fuego demasiado grande la primera vez que utilice la unidad de cocina OFYR®, puede que la plancha se incline demasiado las próximas veces que la utilice. Es muy importante preparar correctamente la plancha siguiendo el procedimiento descrito anteriormente. En algunos casos, la plancha puede por el contrario abultarse hacia arriba por el centro y convertirse así en convexa (véase Fig. 5). Esto significa que el acero está mal tensado. Si sucede esto, póngase en contacto con su distribuidor.

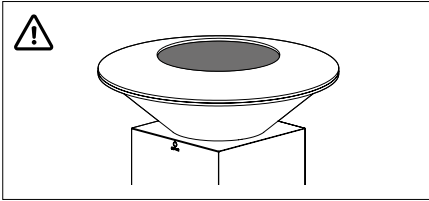


Fig. 5 - Upwards bulged cooking plate

3.4.2 Qué aceite de cocina utilizar

Es mejor emplear aceite vegetal. Recomendamos aceite de oliva las 2 o 3 primeras veces que utilice su unidad de cocina OFYR®. El aceite de oliva tiene un punto de combustión más bajo, lo cual contribuirá a lograr un bonito tono marrón-negro. Después de los primeros usos, podrá empezar a usar tipos de aceite con puntos de combustión más altos, como el aceite de girasol o el aceite de cacahuete.

3.4.3 Tiempo necesario para calentar la plancha



La temperatura exterior es un factor importante para determinar el tiempo necesario para calentar la plancha correctamente. Este tiempo puede ir de 25 a 30 minutos durante la primavera y el verano y de 45 a 60 minutos durante el otoño y el invierno. La plancha tiene 12 mm de grosor, por lo cual hace falta un fuego consistente para calentarla correctamente.

3.4.4 Cómo quitar el aceite de fábrica de la plancha

Una vez que la plancha esté bien calentada, rocíe aceite de oliva por encima y espárzalo con un paño de cocina. El aceite de oliva se mezclará con el aceite de fábrica y facilitará la extracción del aceite de fábrica. Si se pone aceite de oliva en la plancha cuando no está bien calentada, lo que sale es una sustancia negra pegajosa que no es fácil de quitar. Rocíe aceite de oliva 2 o 3 veces. Seguidamente, raspe la plancha con la espátula incluida y arroje los restos al fuego. También ofrecemos una espátula PRO en nuestra gama de productos, para uso intensivo en un entorno profesional. En cuanto solamente salgan virutas de color beis al raspar, la plancha habrá quedado limpia y estará lista para utilizarse. Basta con rociar aceite de oliva una vez más, extenderlo y empezar a cocinar.

3.4.5 Cómo controlar el fuego

Según las condiciones climáticas y la temperatura exterior, la plancha alcanzará una temperatura de alrededor de 300 °C en el borde interior y de alrededor de 200 °C en el borde exterior. Haga fuego empleando el método de la cabaña de madera mencionado anteriormente. Una vez que la leña del primer fuego esté ardiendo correctamente, extienda la masa caliente bajo los bordes de la plancha y añada leña nueva en el centro con la corteza hacia arriba. Repita el proceso durante todo el tiempo en que desee mantener la plancha caliente. Observará que hará falta mucha más leña para mantener la plancha caliente en otoño e invierno que en primavera y verano. Si hay brisa, la plancha estará más caliente allá donde el viento salga de la unidad de cocina OFYR®, es decir, siguiendo la dirección del viento. Puede compensar empujando más carbón caliente en la dirección opuesta.

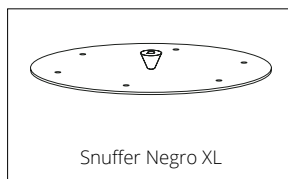
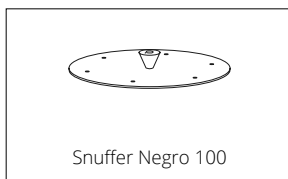
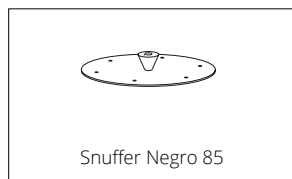
4. PRIMERA VEZ QUE SE COCINA

EN WWW.OFYR.COM HAY VARIOS VÍDEOS CORTOS QUE EXPLICAN LAS TÉCNICAS DE COCINA PARA OFYR. NUESTRO LIBRO DE COCINA "THE ART OF OUTDOOR COOKING" (EL ARTE DE LA COCINA AL AIRE LIBRE) CONTIENE 72 RECETAS FÁCILES PARA USO DOMÉSTICO CON INGREDIENTES SENCILLOS Y SABROSOS.

5. CÓMO APAGAR EL FUEGO

5.1 CÓMO APAGAR EL FUEGO

La mejor manera es permitir que el fuego se extinga por sí mismo. Por razones de seguridad, las llamas pueden ser cubiertas por el Snuffer 85, 100 o XL. Sin embargo, el fuego no se extinguirá cuando se ponga la Snuffer en la plancha, porque todavía hay algo de aire. Si se cubre el fuego durante un período de tiempo más largo con el Snuffer, se producirá una fuerte formación de humo. Cuando se quita la Snuffer, esto puede conducir a repentinidad y grandes llamas debido al repentino suministro de aire. Las cenizas calientes y el carbón que quedan de la leña quemada, pueden ser cubiertos por el Snuffer para evitar que sean soplados por el viento.



5.2 CÓMO RETIRAR LAS CENIZAS

Las cenizas pueden permanecer muy calientes durante un largo tiempo; a veces incluso durante más días. Por lo tanto, antes de desechar las cenizas en un cubo normal, póngalas primero en un cubo de zinc vacío y vierta agua sobre ellas para que queden completamente empapadas. A partir de entonces sí se podrán desechar en su cubo habitual.

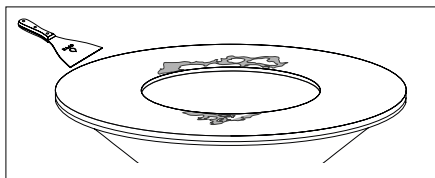
6. CONSEJOS DE MANTENIMIENTO

LOS ELEMENTOS QUE SE MENCIONAN A CONTINUACIÓN TAMBIÉN SE EXPLICAN POR VÍDEO EN WWW.OFYR.COM.

6.1 LA PLANCHA

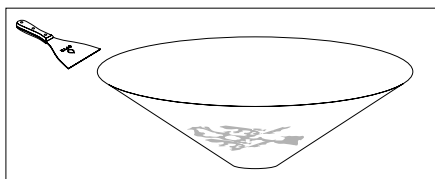
- La plancha es de acero negro y sufrirá corrosión si no se impregna adecuadamente de aceite. Una vez impregnada adecuadamente, la corrosión será mínima. Cuando la plancha no se utiliza durante largos periodos, se recomienda tratarla con aceite cada 15-30 días. La cantidad de corrosión depende mucho del clima. El aire salado y húmedo es obviamente mucho más agresivo que el aire seco. Resulta más eficiente utilizar revestimiento en aerosol para sartenes que tratar una plancha fría con aceite de cocina.

- Si utiliza muy a menudo la unidad de cocina OFYR®, se acumulará una capa lisa de residuos de carbono en la superficie; la plancha quedará sumamente lisa y será mucho más cómoda de usar. De vez en cuando, esta capa puede desprenderse parcialmente. En este caso bastará con raspar las virutas con la espátula en las partes donde se hayan desprendido y frotar con aceite nuevo. La capa de residuos de carbono se renovará gradualmente de esta manera.



6.2 EL CONO

- Para evitar que se obstruya el cono, es necesario retirar las cenizas después de cada uso.
- Si se deja ceniza húmeda durante un periodo demasiado largo en el cono o si la unidad de cocina OFYR se encuentra en una región muy húmeda o salada, se pueden formar virutas de acero tanto en el interior como en el exterior de los conos de acero corten. Estas virutas se pueden quitar fácilmente con la espátula. El video "Maintenance of the OFYR Corten Cone" (Mantenimiento del cono de corten OFYR) indica claramente cómo proceder.

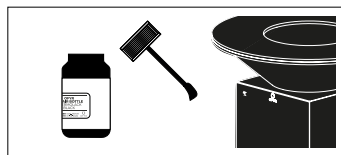


6.3 LA BASE

- Durante la cocción, pueden acumularse salpicaduras de aceite en la base. Estas salpicaduras no se pueden eliminar de las bases de acero corten. No obstante, se puede tratar toda la base de acero corten aplicándole aceite con un paño de cocina, lo que ocultará completamente las salpicaduras. Este tratamiento hará que toda la base cobre un tono más oscuro. Bajo la lluvia, es posible que salga agua ligeramente grisienta de la base de corten, lo que puede manchar permanentemente las superficies de piedra o madera de tono claro.
- La base de hormigón ha sido tratado con cera para hacer la superficie brillante. Debido al clima y a la luz del sol, este superficie brillante puede desaparecer con el tiempo. Por lo tanto el hormigón viene con cera adicional para hacer la base brilla de nuevo.

6.4 PRODUCTOS DE COLOR NEGRO

- Aunque el lacado de las unidades de cocina negras es muy resistente, siempre es posible que se produzcan arañazos. Por lo tanto, cada unidad de cocina de color negro incluye gratuitamente un bote para retoques que se puede utilizar para reparar daños menores.



7. DESCARGOS DE RESPONSABILIDAD

7.1 INSTRUCCIONES Y CONSEJOS DE SEGURIDAD, DE USO PREVISTO Y DE MANTENIMIENTO

No nos hacemos responsables de ninguna lesión o daño como consecuencia de no respetar nuestras instrucciones de seguridad y configuración, de uso previsto y de mantenimiento.

7.2 ACERO CORTEN

Las unidades de cocina OFYR® Corten están compuestas de acero corten: un metal con una capa natural de corrosión que protege contra la perforación del óxido. Las unidades de cocina OFYR® Corten ofrecen el servicio adicional de que el proceso de corrosión ya ha comenzado cuando se entregan. Tras la entrega, harán falta otros 6-12 meses para que la corrosión inicial se convierta en una capa totalmente protectora.

- i** El color de la unidad puede cambiar con el tiempo, ya que el proceso de corrosión puede no haberse desarrollado completamente. No somos responsables de ningún cambio de color.
- i** Los componentes de acero corten que estén menos corroídos que otros al ser entregados no pueden ser reemplazados. Todos los componentes se corroerán naturalmente con el tiempo bajo la influencia del clima. No somos responsables de ninguna diferencia de corrosión entre los diferentes elementos
- i** Aunque la corrosión es superficial, los elementos de acero corten pueden ocasionar manchas anaranjadas en la ropa, la piel y la superficie sobre la que se encuentren. Bajo la lluvia, también es posible que salga agua corrosiva de estos elementos, la cual puede manchar permanentemente superficies de piedra o madera de tono claro. No somos responsables de las manchas como consecuencia de la corrosión.

7.3 ACERO LACADO EN NEGRO

- i** Tenga en cuenta que las unidades de cocina OFYR® Black están lacadas, por lo cual son más sensibles a los daños durante el montaje y el uso. No nos hacemos responsables de ningún daño que resulte del montaje o el uso de su unidad de cocina OFYR® Black.
- i** Debido al clima y a la luz solar, el lacado puede exponerse a la decoloración. No somos responsables de dicha decoloración.

8. CONDICIONES DE GARANTÍA POR ELEMENTO

Se aplica una garantía limitada de por vida al material y a la fabricación de todas las unidades de cocina OFYR® para los compradores o propietarios originales, siempre y cuando hayan comprado su unidad a un distribuidor autorizado y hayan registrado su garantía según lo estipulado, a través del Club OFYR en www.ofyr.club.

	B2C	B2B
Plancha	5 años	3 años
Cono de acero corten	2 años	1 año
Base de acero corten	5 años	3 años
Elementos de acero lacado	2 años	1 año
Elementos de hormigón	2 años	1 año
Bloques de madera y cerámica	2 años	1 año

Esta garantía cubre los defectos de fabricación. Se aplica a los compradores o propietarios originales de una unidad de cocina OFYR® Corten y de una unidad de cocina OFYR® Black siempre que:

- Hayan comprado su unidad a un distribuidor autorizado
- Hayan montado, utilizado y mantenido la unidad de cocina OFYR® de acuerdo con las instrucciones de este manual.



NO CUBIERTO POR LA GARANTÍA

- Desgaste, corrosión, deformación y decoloración de las partes expuestas al fuego;
 - Corrosión y decoloración causada por influencias externas;
 - Irregularidades visuales inherentes al proceso de fabricación;
 - Daños causados por no seguir nuestras instrucciones y consejos de seguridad y configuración, uso previsto y mantenimiento..
-

9. BLOQUES DE MADERA

Todos los bloques de madera están hechos de madera de teca. El alto contenido de aceite de la teca, su alta resistencia a la tensión y su grano de alta densidad la hacen especialmente adecuada cuando se busca resistencia a la intemperie.

.....

9.1 USO PREVISTO

- La madera es un producto natural y por lo tanto debe almacenarse en el interior.
- No utilice las tablas de madera como tablas de cortar. El uso de objetos afilados causa daños irreparables.
- No utilice objetos pesados, ya que al ejercer grandes fuerzas sobre el bloque de madera se pueden causar daños irreparables.

9.2 CONSEJOS DE MANTENIMIENTO

- Antes del primer uso: Limpie la encimera a fondo con un detergente suave.
- Use un paño húmedo y un detergente suave para la limpieza diaria. Asegúrese de limpiar el bloque después de cada uso.
- Limpieza de manchas persistentes: use un paño húmedo o una esponja (sin estropajo) con un detergente suave.
- Limpie la madera en la dirección de los nervios para mantener la calidad del material. Seque el bloque después de limpiarlo.
- Todas las tablas de madera de teca se han tratado con aceite vegetal para protegerlas de la suciedad y la humedad. Recomendamos que los usuarios de estos productos también traten estas tablas al menos una vez al año con dicho aceite y más a menudo en caso de uso frecuente.



No limpie las tablas de madera con sustancias corrosivas ni en el lavavajillas.



El bloque de madera debe almacenarse en el interior, en un lugar seco (con escasa humedad). Las grandes diferencias de temperatura y humedad pueden hacer que la madera se deforme.

10. BLOQUES DE CERÁMICA

La cerámica es un producto manufacturado y horneado industrialmente. Se añade una impresión a la capa superior de barro, el componente principal, que luego se hornea a una temperatura extremadamente alta. El elemento distintivo de la cerámica son sus características muy prácticas: es higiénica y resistente a las manchas, los arañazos y el calor.

10.1 USO PREVISTO

- La cerámica es resistente a la intemperie y puede almacenarse en exteriores de forma permanente.
- La cerámica es una masa muy compacta y resistente, lo que la hace relativamente vulnerable a los daños por impacto. Por lo tanto, se debe tener cuidado, por ejemplo, con los objetos pesados, porque el impacto de estos al caer sobre una encimera puede causar daños irreparables.
- Recomendamos utilizar una tabla de cortar para evitar que los cuchillos se desafilan.
- Evite el contacto con acetona y con agentes de limpieza extremadamente agresivos como los limpiadores de metales, limpiadores de desagües y otros productos con un valor de pH inferior a 2 o superior a 12.
- Nunca se ponga de pie sobre un bloque de cerámica.

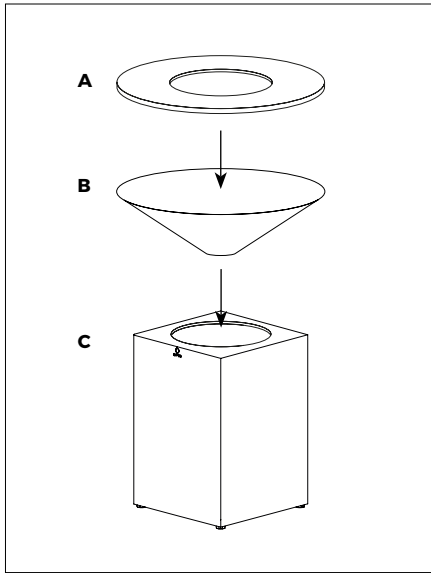
10.2 CONSEJOS DE MANTENIMIENTO

- Antes del primer uso: elimine los posibles residuos de cola con un raspador de plástico y limpie la encimera a fondo con un detergente suave.
- Use un paño húmedo con un detergente suave para la limpieza diaria. Asegúrese de limpiar el bloque después de usarlo.
- Limpie el bloque de forma más intensiva unas cuantas veces al año.
- Limpieza de manchas persistentes: utilice un detergente suave con un paño o esponja húmeda (sin estropajo).
- No limpie los bloques en el lavavajillas.

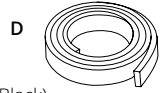
11. INSTRUCCIONES DE MONTAJE

11.1 INSTRUCCIONES DE MONTAJE

OFYR CLASSIC CORTEN / BLACK 85 Y 100, OFYR CLASSIC STORAGE CORTEN / BLACK 85 Y 100, OFYR CLASSIC CONCRETE 100 Y OFYR XL

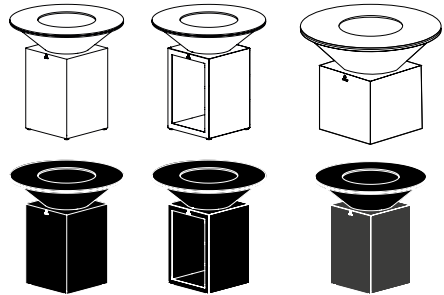


- A Plancha
- B Cono
- C Base
- D Filtro (Sólo para las unidades Black)

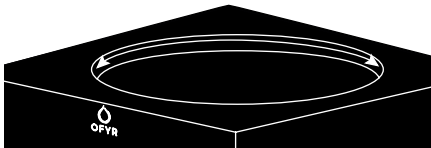


La unidad de cocina OFYR® debe ser colocado y ensamblado por dos personas, ya que los componentes son demasiado pesados para que los lleve una sola persona.

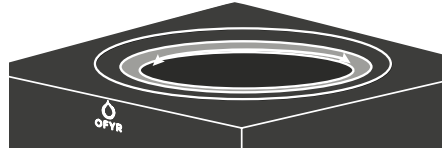
El OFYR XL le recomendamos fuertemente que sea ensamblado por 4 personas.



BLACK LINE - COLOCAR EL FIELTRO


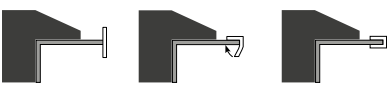


CONCRETE LINE - COLOCAR EL FIELTRO






Coloque el filtro en la parte interior de la base, deshabilitando el contacto directo entre el cono y la base.

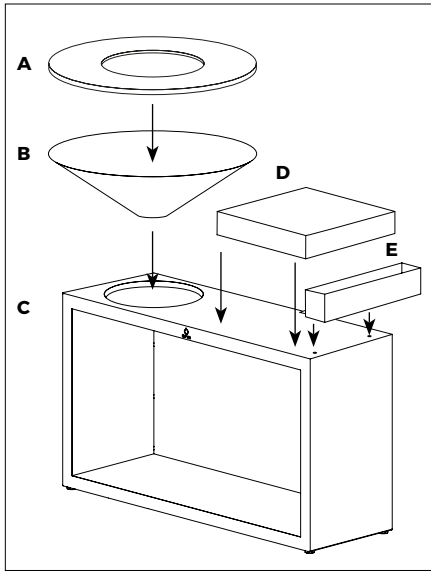



- A. Coloca la parte media del filtro contra el acero galvanizado
- B. Doblar el filtro dividido por igual alrededor del anillo galvanizado.
- C. Entonces coloca el cono en el anillo.

11. INSTRUCCIONES DE MONTAJE

11.2 INSTRUCCIONES DE MONTAJE

OFYR ISLAND CORTEN / BLACK 85 Y 100



A Plancha

B Cono

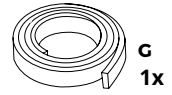
C Base

D Bloque

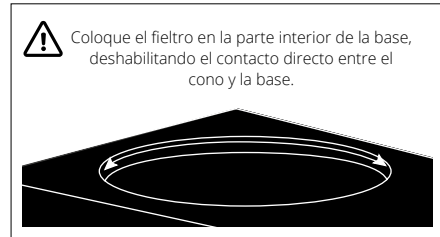
E Tooltray

F Tornillo para Tooltray

G Filtro (Sólo para las unidades Black)



La unidad de cocina OFYR® debe ser colocado y ensamblado por dos personas, ya que los componentes son demasiado pesados para que los lleve una sola persona.



i Solo para un bloque de cerámica.

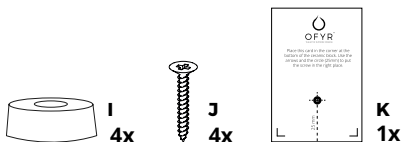
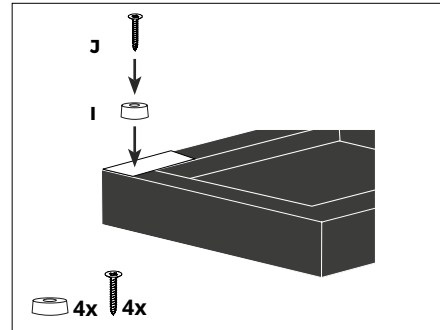
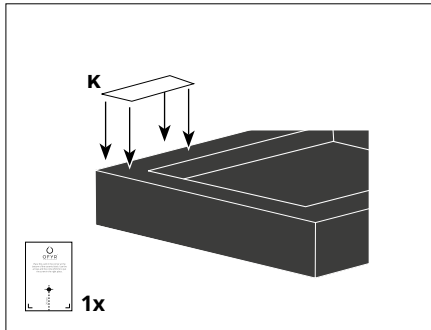


TABELLA DEI CONTENUTI

1. INTRODUZIONE	76
1.1 OFYR® Classic 85 e 100, Corten o Black o Concrete (solo 100)	76
1.2 OFYR® Classic Storage 85 e 100, Corten o Black	76
1.3 OFYR® Island 85 e 100, Corten o Black	76
1.4 OFYR® XL	76
2. ISTRUZIONI DI SICUREZZA E DI MONTAGGIO	77
3. USO	78
3.1 Legna da ardere	78
3.2 Stoccaggio legna	79
3.3 Come accendere il fuoco	79
3.4 Primo utilizzo	80
3.4.1 Prima accensione	80
3.4.2 Quale tipo di olio utilizzare	80
3.4.3 Tempo necessario per riscaldare la piastra di cottura	80
3.4.4 Rimozione dell'olio di protezione dalla piastra di cottura	80
3.4.5 Gestire il fuoco	80
4. PRIMA COTTURA	81
5. SPEGNIMENTO DEL FUOCO E RIMOZIONE DELLA CENERE	81
5.1 Spegnimento del fuoco	81
5.2 Rimozione della cenere	81
6. SUGGERIMENTI PER LA MANUTENZIONE	81
6.1 La piastra di cottura	81
6.2 Il Cono	82
6.3 La Base	82
6.4 Prodotti Black	83
7. AVVERTENZE	83
7.1 Istruzioni e suggerimenti per la sicurezza e il montaggio, la destinazione d'uso e la manutenzione	83
7.2 Acciaio Corten	83
7.3 Acciaio con rivestimento nero	83

8. CONDIZIONI DI GARANZIA PER ELEMENTO	84
9. BLOCCHI DI LEGNO	84
9.1 Destinazione d'uso	84
9.2 Suggerimenti per la manutenzione	85
10. BLOCCHI DI CERAMICA	85
10.1 Destinazione d'uso	85
10.2 Suggerimenti per la manutenzione	85
11. ISTRUZIONI PER IL MONTAGGIO	86
11.1 Istruzioni di montaggio - OFYR® Classic 85 e 100, Corten e nero, OFYR® Classic Storage 85 e 100, Corten e nero e OFYR® XL	86
11.2 Istruzioni di montaggio - OFYR® Island 85 e 100, Corten e Black	87

SIMBOLI E ICONE



Pericolo! Rischio di lesioni serie o mortali o gravi danni al prodotto.



Attenzione! Rischio di danni al prodotto



Precauzioni! Informazioni utili.

1. INTRODUZIONE

GRAZIE PER L'ACQUISTO DI UN PRODOTTO OFYR®. QUESTO MANUALE È DESTINATO AL TUO OFYR® CLASSIC (85 O 100, CORTEN O NERO), OFYR® CLASSIC STORAGE (85 O 100, CORTEN O NERO), OFYR® CLASSIC CONCRETE 100, OFYR® ISLAND (85 O 100, CORTEN O NERO, BLOCCO DI LEGNO TEAK O BLOCCO GRIGIO SCURO CERAMICO) E OFYR® XL.

1.1 OFYR® CLASSIC 85 E 100, CORTEN O NERO O CONCRETE (SOLO 100)

Queste unità di cottura esterne sono costituite da una base chiusa in acciaio corten, acciaio rivestito nero o cemento (solo 100), un cono in acciaio corten o acciaio rivestito nero, nonché una piastra di cottura in acciaio nero.

.....

1.2 OFYR® CLASSIC STORAGE 85 E 100, CORTEN O NERO

Queste unità di cottura esterne sono costituite da una base aperta per lo stoccaggio della legna, sia in acciaio Corten o acciaio con rivestimento nero e della piastra di cottura in acciaio nero.

.....

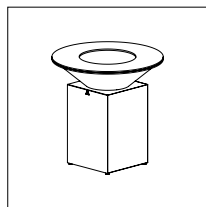
1.3 OFYR® ISLAND 85 AND 100, CORTEN OR BLACK

Queste cucine da esterno sono costituite da una base aperta per la conservazione della legna, un pratico porta accessori e un cono, tutti e tre in acciaio Corten o acciaio con rivestimento nero, una piastra di cottura in acciaio nero e un tagliere in legno di teak o grigio scuro in ceramica.

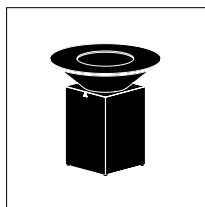
.....

1.4 OFYR® XL

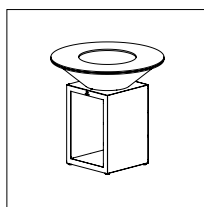
Questa unità di cottura esterna è costituita da una base e un cono chiusi, entrambi in acciaio Corten, nonché una piastra di cottura in acciaio nero.



OFYR® Classic
Corten



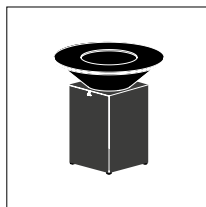
OFYR® Classic
Black



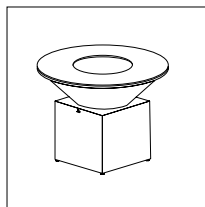
OFYR® Classic
Storage Corten



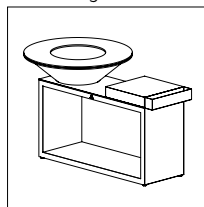
OFYR® Classic
Storage Corten



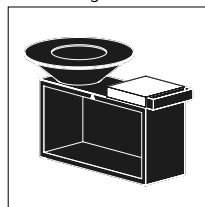
OFYR® Classic
Concrete



OFYR® XL



OFYR® island
Corten



OFYR® Island
Black

2. ISTRUZIONI DI SICUREZZA



A causa del notevole peso degli elementi, il disimballaggio e il posizionamento del prodotto devono essere eseguiti da almeno 2 persone. Nel caso dell'OFYR® XL anche 4 persone.



Per evitare danni ai bordi della piastra di cottura in acciaio, fare attenzione durante il trasporto. In caso di danni, la parte superiore non potrà più essere raschiata correttamente con la spatola.



Sebbene la corrosione sia ancora superficiale, gli elementi in acciaio Corten possono causare macchie arancioni su vestiti, pelle e superfici su cui si trovano. Quando piove, l'acqua corrosiva potrebbe fuoriuscire da questi elementi, macchiando in modo permanente pietre chiare o superfici in legno.



Il modo più sicuro di posizionare la piastra di cottura è metterla a metà sul cono con due persone (la XL con 4 persone) e tirarla poi da un lato fino a farla scattare in posizione. Se la piastra di cottura non si adatta perfettamente al cono, è possibile ruotarla fino a quando l'anello si ferma sul cono. Si consiglia l'uso di guanti quando si posiziona la piastra di cottura. Inoltre, fare attenzione a non macchiare i vestiti quando si toccano gli elementi in acciaio Corten.



Le unità di cottura OFYR® Black e Concrete sono più sensibili ai danni durante il montaggio e l'uso a causa del loro rivestimento. I bordi della base in cemento sono molto vulnerabili durante l'installazione.



Posizionare l'unità di cottura OFYR® su una superficie dura, livellata, resistente al calore e stabile.



Non spostare le unità di cottura OFYR® dopo averle installate. Ciò può causare danni ai piedini regolabili o ai dadi dei rivetti con cui sono fissati.



Non utilizzare i piedini regolabili per modificare l'altezza complessiva dell'unità di cottura OFYR®. L'unità potrebbe diventare instabile se i piedini regolabili sono estesi di oltre 10 mm.



Quando si accende il fuoco, l'uso di alcool puro, benzina o altre sostanze chimiche è molto pericoloso e potrebbe contaminare il cibo sulla piastra di cottura. Utilizzare solo accendifuoco conformi alla norma EN 1860-3.



Non lasciare mai l'unità di cottura OFYR® incustodita durante l'uso.



Tenere lontani bambini e animali domestici dall'unità di cottura OFYR® durante e dopo l'uso, quando l'unità è ancora calda.



Non utilizzare mai l'unità di cottura OFYR® all'interno o in uno spazio parzialmente o completamente chiuso. Ciò provocherebbe un eccesso di fumi pericolosi che possono causare avvelenamento da monossido di carbonio.



Assicurarsi che l'area intorno all'unità di cottura OFYR® sia libera da materiali infiammabili.



Quando si utilizza legno duro tropicale per riscaldare l'unità di cottura OFYR®, usarne solo piccole quantità contemporaneamente. La quantità di calore generata da questo tipo di legno è tale che l'utilizzo di grandi quantità causerebbe la deformazione della piastra di cottura.



Le ceneri possono rimanere molto calde a lungo. A volte anche per più giorni. Pertanto, prima di smaltirle in un normale bidone, metterle in un contenitore di zinco vuoto e gettarvi sopra dell'acqua per bagnarle completamente. Solo allora sarà possibile smaltirle nel cestino.



Non spegnere mai il fuoco con acqua

3. USO

PUOI VEDERE GLI ARTICOLI MENZIONATI SOTTO ANCHE TRAMITE VIDEO SU WWW.OFYR.COM

3.1 LEGNA DA ARDERE

- Usare legna molto secca con max. 20% di umidità
- Il nostro legno preferito è il legno di faggio che bruciando diventa carbonella. Anche il legno di frassino va bene.
- Fare molta attenzione all'uso del legno tropicale che tende a scaldarsi molto. Usato in grandi quantità, potrebbe deformare la piastra di cottura (vedere Fig. 1).
- Può essere usato anche il carbone, ma preferibilmente in combinazione con legna da ardere.



Con i guanti OFYR® puoi spostare facilmente la massa di carbone per dirigere il calore in altre direzioni (vedere Fig.2).

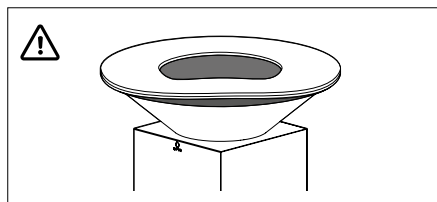


Fig. 1 - Piastra di cottura deformata a causa dell'utilizzo di grandi quantità di legno tropicale

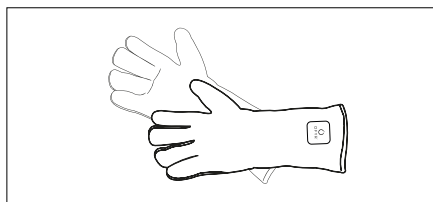


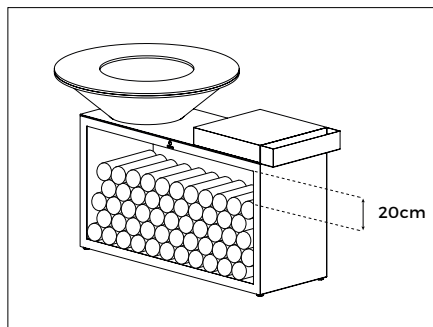
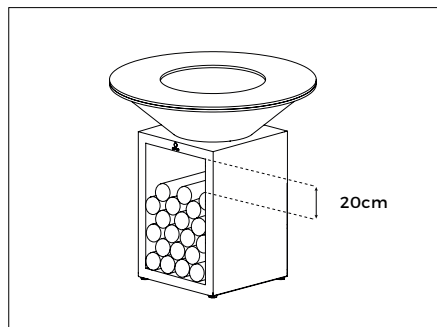
Fig. 2 - Guanti OFYR

3.2 SPAZIO DI STOCCAGGIO

Quando si conservano tronchi o altri elementi nello spazio di stoccaggio di OFYR® Classic Storage 100 o OFYR® Island 100, lasciare sempre uno spazio libero di almeno 20 cm sotto il raccogli cenere, poiché quest'ultimo può diventare molto caldo.



Quando si posizionano tronchi o altri oggetti a questo fondo molto caldo, possono prendere fuoco, questo può causare situazioni pericolose.



3.3 ACCENDERE IL FUOCO

Impilare i pezzi di legno due per due, come per costruire una capanna (vedi Fig. 3), con la corteccia rivolta verso l'esterno per prevenire ulteriormente la formazione di fumo.



Per limitare la formazione di fumo quando si accende un fuoco o si aggiunge nuova legna, puoi usare il nostro soffietto OFYR® Buffadoo (vedi Fig. 4), che permette alla legna di bruciare quasi all'istante.



La dimensione ideale dei ceppi è di circa 10 x 30 cm. Si sconsiglia di utilizzare pezzi di legno più grandi. Questi tendono a bruciare rapidamente, ma l'aria non riuscirà a circolare correttamente nel cono.



Per una cottura (di circa 4-5 ore) avrai bisogno in media di circa due sacchetti di legno OFYR® da circa 50 litri ciascuno, a seconda della temperatura esterna e delle condizioni meteorologiche.

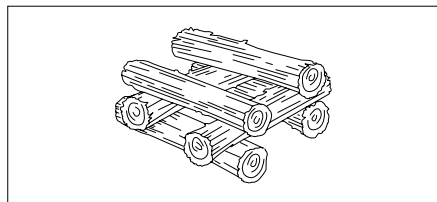


Fig. 3 - Impilare i pezzi di legno due per due.

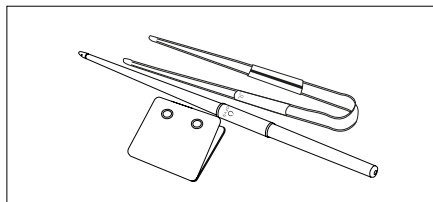


Fig. 4 - Set OFYR Buffadoo

3.4 PRIMO UTILIZZO

3.4.1 Prima accensione

Procedere come indicato sopra, ma è importante accendere un fuoco piccolo per circa 30 minuti per consentire alla piastra di cottura di stabilizzarsi correttamente. Durante la produzione, il centro della piastra di cottura viene premuto leggermente. Quando la piastra viene riscaldata, si abbasserà ulteriormente, ma se durante l'uso iniziale si accende un fuoco troppo grande, ciò potrebbe causare un abbassamento eccessivo della piastra durante l'uso futuro. È molto importante preparare correttamente la piastra di cottura utilizzando la procedura descritta sopra. In alcuni casi, la piastra potrebbe invece rigonfiarsi verso l'alto nel mezzo e quindi diventare convessa (vedi Fig. 5). Ciò significa che l'acciaio non è sollecitato correttamente. In tal caso, contattare il proprio rivenditore.

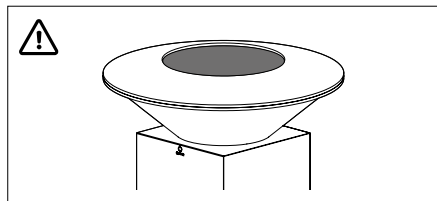


Fig. 5 - Piastra di cottura bombata verso l'alto

3.4.2 Quale olio da cucina usare

È meglio usare olio vegetale. Si consiglia di utilizzare l'olio d'oliva le prime 2-3 volte in cui si utilizza l'unità di cottura OFYR®. L'olio d'oliva ha un punto di combustione più basso, che aiuterà la piastra a raggiungere una bella tonalità marrone-nera. Dopo i primi utilizzi, puoi iniziare a utilizzare tipi di olio con punti di combustione più elevati, come l'olio di semi di girasole o di arachidi.

3.4.3 Tempo necessario per riscaldare la piastra di cottura



La temperatura esterna incide sulle tempistiche necessarie a riscaldare correttamente la piastra di cottura. Questo tempo può variare da 25-30 minuti in primavera ed estate, a 45-60 minuti in autunno e inverno. La piastra di cottura ha uno spessore di 12 mm, quindi ha bisogno di un fuoco discreto per riscaldarsi correttamente.

3.4.4 Rimozione dell'olio di protezione dalla piastra di cottura

Una volta che la piastra di cottura è ben riscaldata, spruzzare l'olio d'oliva e stenderlo con un panno da cucina. L'olio d'oliva si mescolerà con l'olio di fabbrica e faciliterà la rimozione di quest'ultimo. Se l'olio d'oliva viene steso quando la piastra non è ben riscaldata, ne uscirà una sostanza nera appiccicosa, difficile da rimuovere. Spruzzare l'olio d'oliva 2-3 volte. Quindi raschiare la piastra con la spatola integrata e spingere i residui nel fuoco. Abbiamo anche una spatola PRO nella nostra gamma di prodotti per un uso intensivo in un ambiente professionale. Una volta rimasti solo residui di colore beige, la piastra sarà pulita e pronta per l'uso. Basta ricoprire con olio d'oliva ancora una volta, stenderlo e iniziare a cucinare!

3.4.5 Gestire il fuoco

A seconda delle condizioni meteorologiche e della temperatura esterna, la piastra di cottura raggiungerà una temperatura di circa 300°C sul bordo interno e di circa 200°C sul bordo esterno. Per fare ciò, accendere il fuoco usando il metodo della capanna di legno sopra menzionato. Una volta che la legna inizia a bruciare correttamente, distribuire la massa calda sotto i bordi della piastra e aggiungere nuova legna nel mezzo, con la corteccia rivolta verso l'alto. Ripetere la procedura fino a che si desidera mantenere calda la piastra di cottura. Sarà necessaria molta più legna in autunno e in inverno per mantenere calda la piastra, che durante la primavera e l'estate. Se c'è brezza, la piastra sarà più calda nella direzione del vento. Per compensare ciò, spingere più carboni ardenti nella direzione opposta.

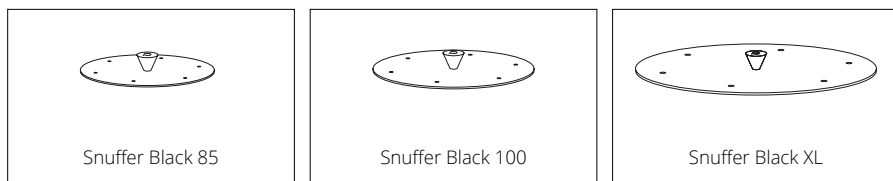
4. PRIMA COTTURA

SU WWW.OFYR.COM CI SONO BREVI VIDEO CHE MOSTRANO VARIE TECNICHE DI COTTURA. IL NOSTRO RICETTARIO "THE ART OF OUTDOOR COOKING" CONTIENE 72 RICETTE FACILI DA FARE A CASA CON INGREDIENTI SEMPLICI E GUSTOSI.

5. SPEGNIMENTO DEL FUOCO

5.1 SPEGNIMENTO DEL FUOCO

La soluzione migliore è quella di lasciare spegnere il fuoco da solo. Per motivi di sicurezza le fiamme possono essere coperte dallo Snuffer 85, 100 o XL. Il fuoco non si spegnerà quando il coperchio verrà messo sulla piastra, per la presenza di aria. Quanto il fuoco viene coperto con lo Snuffer, causerà un pò di fumo. Fare attenzione a quando si toglie lo Snuffer, potrebbero verificarsi fiamme improvise a causa della presenza dell'aria. La cenere calda e il carbone che rimangono dalla legna bruciata possono essere coperti dallo Snuffer per evitare che vengano spazzati via.



5.2 RIMOZIONE DELLA CENERE

Le ceneri possono rimanere calde a lungo. A volte anche per più giorni. Pertanto, prima di smaltirle in un normale bidone, metterle in un contenitore di zinco vuoto e gettarvi sopra dell'acqua per bagnarle completamente. Solo allora sarà possibile smaltirle nel cestino.

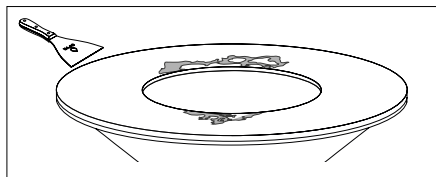
6. SUGGERIMENTI PER LA MANUTENZIONE

PUOI VEDERE GLI ARTICOLI MENZIONATI SOTTO ANCHE TRAMITE VIDEO SU WWW.OFYR.COM.

6.1 LA PIASTRA DI COTTURA

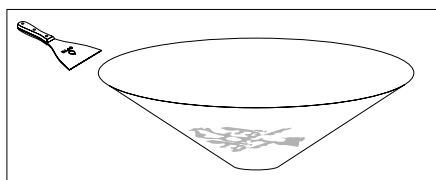
- La piastra di cottura è in acciaio al carbonio nero e si corrode se non viene adeguatamente riscaldata e cosparsa d'olio. Una volta penetrato l'olio, si svilupperà solo una leggera corrosione. Quando la piastra non viene utilizzata per periodi di tempo lunghi, si consiglia di trattarla con olio ogni 15-30 giorni. La corrosione dipende molto dal clima. Ovviamente, un clima umido e salmastoso è peggiore di un clima secco. Poiché il trattamento di una piastra di cottura a freddo con olio da cucina non dà buoni risultati, l'uso di uno spray da cucina antiaderente risulta più efficiente.

- Se si usa spesso l'unità di cottura OFYR®, sulla piastra si accumulerà uno strato liscio di residui di carbone, che la renderanno più liscia ed estremamente facile da usare. Di tanto in tanto, questo strato potrebbe staccarsi qua e là. Quando si scheggia in alcuni punti, raschiare semplicemente le crosticine usando la spatola e strofinare di nuovo con olio. In questo modo, lo strato di carbone residuo si ripristinerà gradualmente.



6.2 IL CONO

- Per evitare l'intasamento del cono, è necessario rimuovere la cenere dopo ogni utilizzo.
- Se nel cono viene lasciata della cenere troppo a lungo o se l'unità di cottura OFYR si trova in una zona molto umida o salmastra, possono formarsi trucioli di acciaio sia all'interno che all'esterno dei coni di acciaio Corten. Questi trucioli possono essere facilmente rimossi con la spatola. Il video "Manutenzione del cono OFYR" Corten mostra chiaramente come procedere.

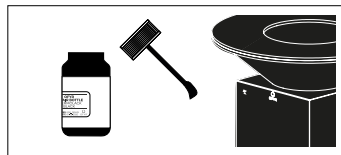


6.3 LA BASE

- Durante la cottura, la base si può schizzare d'olio. Questi schizzi non possono essere rimossi dalle basi in acciaio Corten. Tuttavia, l'intera base può essere trattata con olio usando un panno da cucina che rende invisibili gli schizzi. Tale trattamento renderà l'intera base più scura. Quando piove, l'acqua leggermente unta potrebbe fuoriuscire dalla base e macchiare in modo permanente pietre chiare o superfici in legno.
- La base in cemento è stata trattata con cera per rendere brillante la superficie. Con il passare del tempo e della luce solare questo aspetto brillante scomparirà nel tempo. Pertanto OFYR Concrete viene fornito con cera aggiuntiva per rendere di nuovo brillante la base.

6.4 PRODOTTI BLACK

- Sebbene il rivestimento delle unità di cottura Black sia molto resistente, è sempre possibile che si graffino. Pertanto, con ciascuna di queste unità, è incluso un flacone per ritocchi, che può essere utilizzato per riparare piccoli danni.



7. AVVERTENZE

7.1 ISTRUZIONI E SUGGERIMENTI PER LA SICUREZZA E IL MONTAGGIO, LA DESTINAZIONE D'USO E LA MANUTENZIONE

Non siamo responsabili per eventuali lesioni o danni a seguito della mancata osservanza delle istruzioni/suggerimenti per la sicurezza e il montaggio, la destinazione d'uso e la manutenzione.

7.2 ACCIAIO CORTEN

Le unità di cottura OFYR® Corten sono realizzate in Corten, un acciaio dotato di uno strato naturale di corrosione, che lo protegge dalle perforazioni causate dalla ruggine. Dalla consegna, sono necessari altri 6-12 mesi affinché la corrosione iniziale si trasformi in uno strato completamente protettivo.

- i** Il colore del rivestimento potrebbe cambiare nel tempo poiché il processo di corrosione potrebbe non essere ancora completamente terminato. Non siamo responsabili per eventuali variazioni di colore.
 - i** Eventuali componenti in acciaio Corten che, alla consegna, sono meno corrosivi di altri, non possono essere sostituiti. Tutti i componenti si corroderanno naturalmente nel tempo a causa delle condizioni meteorologiche. Non siamo responsabili per eventuali differenze di corrosione tra gli elementi.
 - i** Sebbene la corrosione sia ancora superficiale, gli elementi in acciaio Corten possono causare macchie arancioni su vestiti, pelle e superfici su cui si trovano. Quando piove, l'acqua corrosiva potrebbe fuoriuscire da questi elementi, macchiando in modo permanente pietre chiare o superfici in legno. Non siamo responsabili per le macchie causate dalla corrosione.
-

7.3 ACCIAIO CON RIVESTIMENTO NERO

- i** Si noti che l'unità di cottura OFYR® Black ha un rivestimento ed è quindi più sensibile ai danni durante il montaggio e l'uso. Non siamo responsabili per eventuali danni derivanti dal montaggio o dall'uso.
- i** A causa delle condizioni atmosferiche e della luce solare il rivestimento potrebbe essere soggetto a scolorimento. Non siamo responsabili per tale scolorimento.

8. CONDIZIONI DI GARANZIA PER ELEMENTO

Una garanzia a vita limitata si applica al materiale e alla costruzione di tutte le unità di cottura OFYR® per gli acquirenti o i proprietari originali, a condizione che abbiano acquistato la loro unità da un rivenditore autorizzato e registrato la garanzia nel modo richiesto tramite OFYR Club su www.ofyr.club.

	B2C	B2B
Piastra di cottura	5 anni	3 anni
Cono in acciaio Corten	2 anni	1 anno
Base in acciaio Corten	5 anni	3 anni
Elementi in acciaio rivestito	2 anni	1 anno
Elementi del Concrete	2 anni	1 anno
Blocchi Di Legno & Ceramica	2 anni	1 anno

Questa garanzia copre i difetti di fabbricazione. Si applica agli acquirenti o ai proprietari originali dell'unità di cottura OFYR® Corten e OFYR® Black a condizione che

- Abbiamo acquistato la loro unità da un rivenditore autorizzato
- Abbiamo assemblato, utilizzato e mantenuto l'unità di cottura OFYR® secondo le istruzioni contenute in questo manuale.



ESCLUSIONI DI GARANZIA

- Usura, corrosione, deformazione e scolorimento delle parti esposte al fuoco;
- Corrosione e scolorimento causati da agenti esterni;
- Irregolarità visive relative al processo di fabbricazione;
- Danni causati dalla mancata osservanza delle nostre istruzioni e suggerimenti per la sicurezza e il montaggio, la destinazione d'uso e la manutenzione.

9. BLOCCHI DI LEGNO

Tutti i blocchi di legno sono realizzati in legno Teak. L'alto contenuto di olio del teak, l'elevata resistenza alla trazione e la grana fitta, lo rendono particolarmente adatto ove sia richiesta resistenza agli agenti atmosferici.

9.1 DESTINAZIONE D'USO

- Il legno è un prodotto naturale e deve quindi essere conservato all'interno.
- Non utilizzare le tavole di legno come tagliere. L'uso di oggetti appuntiti provoca danni irreparabili.
- Non usare oggetti pesanti sul blocco di legno perchè potrebbero causare danni irreparabili.

9.2 SUGGERIMENTI PER LA MANUTENZIONE

- Prima del primo utilizzo: pulire a fondo il piano di lavoro con un detergente delicato.
- Usare un panno umido e un detergente delicato per la pulizia quotidiana. Assicurarsi di pulire il blocco dopo ogni utilizzo.
- Pulizia di macchie persistenti: usare un panno umido o una spugna (no paglietta) con un detergente delicato.
- Pulire il legno nella direzione del nervo per conservare la qualità del materiale.
- Asciugare il blocco dopo la pulizia.
- Tutte le tavole di legno teak sono state trattate con olio vegetale per proteggerle dallo sporco e dall'umidità. Raccomandiamo di trattare anche queste tavole almeno una volta all'anno con tale olio vegetale, o più spesso, in caso di uso frequente.



Non pulire le tavole di legno con sostanze corrosive né in lavastoviglie.



Il blocco di legno deve essere conservato all'interno, in un luogo asciutto, con bassa umidità. Grandi differenze di temperatura e umidità possono causare la deformazione del legno.

10. BLOCCHI DI CERAMICA

Le ceramiche sono prodotti industriali da forno. Una stampa viene aggiunta allo strato superiore di argilla, la componente principale, che viene quindi cotta a una temperatura estremamente elevata. Elemento distintivo della ceramica sono le sue caratteristiche molto pratiche: è igienica e resistente a macchie, graffi e calore.

10.1 DESTINAZIONE D'USO

- La ceramica è resistente alle intemperie e può essere conservata all'aperto su base permanente.
- La ceramica è una massa molto compatta e resistente, relativamente vulnerabile a danni da impatto. Pertanto, fare attenzione, ad esempio, a oggetti pesanti, poiché l'impatto di tali cadute su un piano di lavoro potrebbe causare danni irreparabili.
- Consigliamo di utilizzare un tagliere per evitare che i coltelli si smussino.
- Evitare il contatto con acetone e con detergenti estremamente aggressivi come detergenti per metalli, detergenti di scarico e altri prodotti con un pH <2 o > 12.
- Non salire mai sul blocco di ceramica.

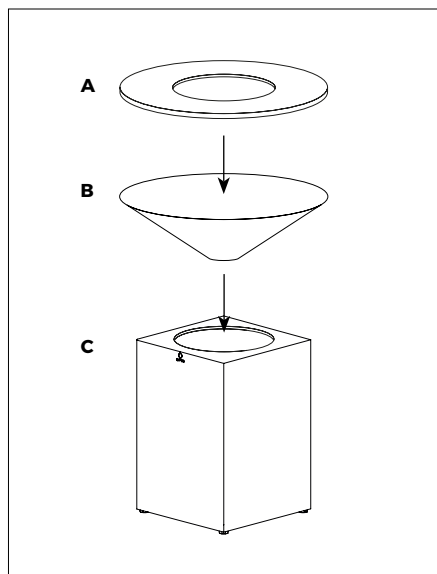
10.2 SUGGERIMENTI PER LA MANUTENZIONE

- Prima del primo utilizzo: rimuovere eventuali residui di colla con un raschietto di plastica e pulire a fondo il piano di lavoro con un detergente delicato.
- Usare un panno umido con un detergente delicato per la pulizia quotidiana. Assicurarsi di pulire il blocco dopo l'uso.
- Alcune volte l'anno, pulire il blocco più accuratamente.
- Pulizia di macchie persistenti: usare un detergente delicato con un panno umido o una spugna (no paglietta).
- Non pulire i blocchi in lavastoviglie.

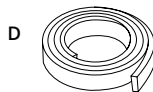
11. ISTRUZIONI PER IL MONTAGGIO

11.1 ISTRUZIONI PER IL MONTAGGIO

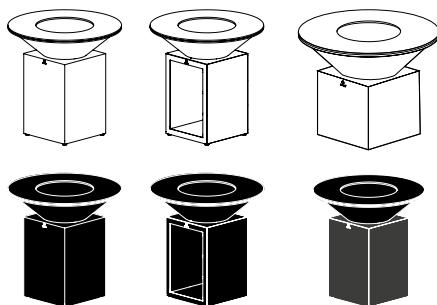
OFYR CLASSIC CORTEN / BLACK 85 E 100, OFYR CLASSIC STORAGE CORTEN / BLACK 85 E 100, OFYR CLASSIC CONCRETE 100 E OFYR XL



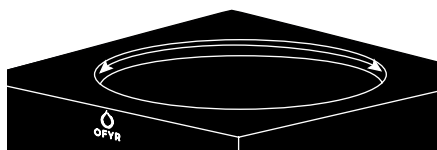
- A Piatto
- B Cono
- C Base
- D Feltro (solo per le unità nere)



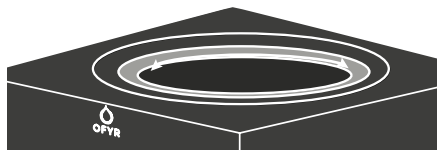
L'unità di cottura OFYR deve essere posizionata e assemblata da due persone poiché i componenti sono troppo pesanti per essere trasportati da una persona. OFYR XL consigliamo vivamente di essere assemblati da 4 persone.



LINEA NERA - POSIZIONA IL FELTRO



LINEA CONCRETE - POSIZIONA IL FELTRO



Posizionare il feltro sul lato interno della base, disabilitando il contatto diretto tra cono e base.

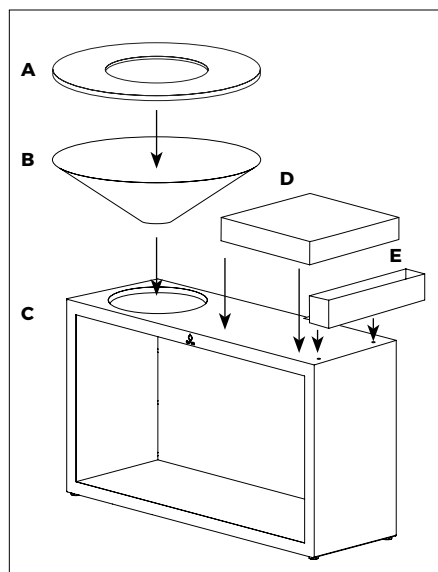


- A. Posizionare la parte centrale del feltro contro l'acciaio zincato.
- B. Piegare il feltro equamente diviso attorno all'anello zincato.
- C. Quindi posizionare il cono nell'anello.

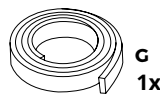
11. ISTRUZIONI PER IL MONTAGGIO

11.2 ISTRUZIONI PER IL MONTAGGIO

OFYR ISLAND CORTEN / NERO 85 E 100



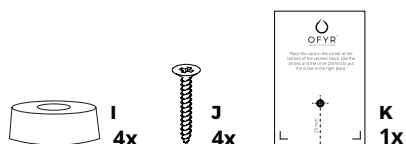
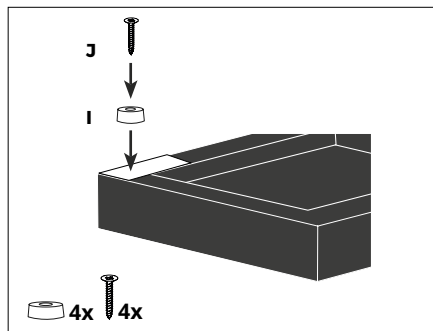
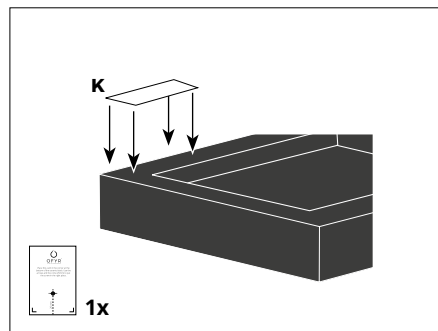
- A Piatto
- B Cono
- C Base
- D Bloccare
- E Vassoio portautensili
- F Vite per portautensili
- G Feltro (solo per le unità nere)



L'unità di cottura OFYR deve essere posizionata e assemblata da due persone poiché i componenti sono troppo pesanti per essere trasportati da una persona.



i Solo per i Blocchi in Ceramica



For further information, please contact one of our official distributors or dealers.
www.ofyr.com/store-locator

Copyright OFYR.

All rights reserved.

OFYR Global B.V.

Gewenten 43A
4704 RE Roosendaal
Nederland

+31 (0)165 74 31 10
info@ofyr.com
www.ofyr.com



The design of some OFYR products have EU registration under no 02580431-0001/2, no 003122373-0001 and no 007454590-0001. US Design Patents are registered under no US D798099 S and no US D830095 S.



APRIL 2020 - V01

