

CVM-VM10-K(1,2,3,4)

Mini & Flexible Smartphone Video Kit



User Manual

Foreword

Thanks for purchasing Comica Multi-functional Smartphone Video Kit, it's designed in many different combinations for your versatile use, and integrated into multi-functions like: 'Bluetooth One-touch Control'、'Exquisite Smartphone Clamp'、'Extensible with Flexible Combinations' etc., which can make your shooting more professional.

To ensure the safety of the product, please carefully read the user manual for correct installation and operation.

Notice

1. Be careful to follow the assembly steps, otherwise, the parts cannot be paired, which will affect the use.
2. This product has a variety of assembly methods, please assemble correctly according to the needs of users.
3. Bluetooth remote control is an electronic component. Do not use it in rain or humid environment.
4. This product has many small parts, please do not swallow it to avoid life-threatening
5. Do not throw away used batteries, so as to avoid environmental pollution.
6. This Bluetooth remote control is small in size, so please do not place it at will, causing loss and affecting use.
7. Please read the user manual carefully before using.

Main Features

- . Detachable Electronic Bluetooth Remote Control for One-touch Video Shooting;
- . Compatible with both IOS and Android System;
- . Exquisite Smartphone Clamp, Easy to Install;
- . Extensible with Flexible Combination;
- . Fit for External Accessories like Microphones, LED lights, etc;
- . All Metal Material with CNC Processing, Solid and Durable;



One-touch
control



Detachable Bluetooth
remote control



Easy to install



Flexible
combination



Support
IOS and Android



CNC
processing

Package Contents

CVM-VM10-K1 Package Contents :

1. Microphone
2. Flexible Smartphone Clamp
3. Ordinary Handle Grip (1/4 screw)
4. TRS-TRRS Audio Output Cable for Smartphone
5. WindMuff
6. Portable Case
7. User Manual
8. Warranty Card



①



②



③



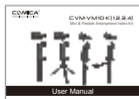
④



⑤



⑥



⑦



⑧

CVM-VM10-K2 Package Contents :

1. Microphone
2. Flexible Smartphone Clamp
3. Tripod
4. TRS-TRRS Audio Output Cable for Smartphone
5. WindMuff
6. Portable Case
7. User Manual
8. Warranty Card



①



②



③



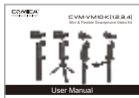
④



⑤



⑥



⑦



⑧

CVM-VM10-K3 Package Contents :

1. Microphone
2. Flexible Smartphone Clamp
3. Electronic Handle Grip
4. Handle Grip Screw
5. TRS-TRRS Audio Output Cable for Smartphone
6. WindMuff
7. Portable Case
8. User Manual
9. Warranty Card



①



②



③



④



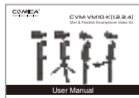
⑤



⑥



⑦



⑧



⑨

CVM-VM10-K4 Package Contents :

1. Microphone
2. Flexible Smartphone Clamp
3. Ordinary Handle Grip(3/8 Screw Hole)
4. Handle Grip Screw
5. Connecting Rod
6. Cold Shoe
7. Connecting Screw
8. TRS-TRRS Audio Output Cable for Smartphone
9. Windmuff
10. Portable Case
11. User Manual
12. Warranty Card



①



②



③



④



⑤



⑥



⑦



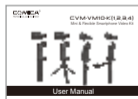
⑧



⑨



⑩



⑪

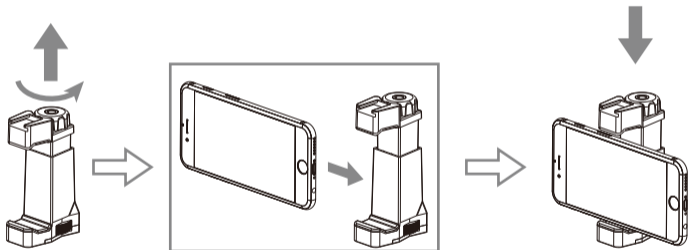


⑫

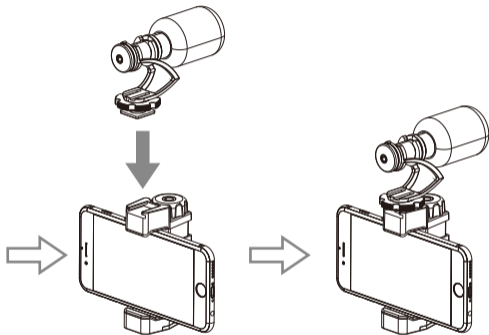
Installation Instructions

Flexible Smartphone Clamp:

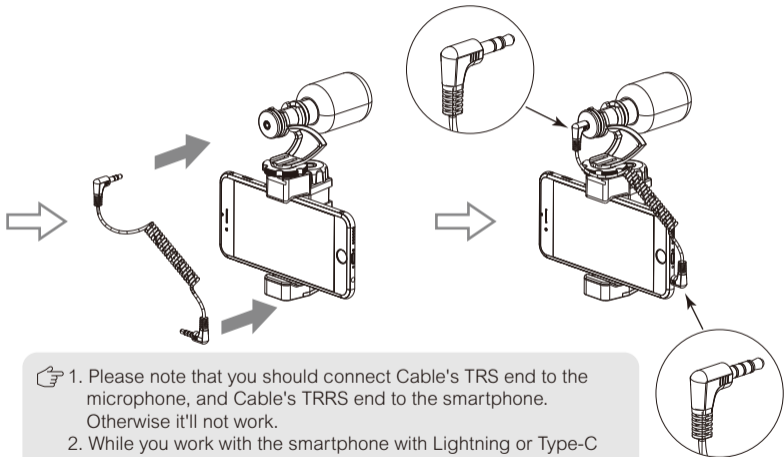
1. Install your smartphone onto the flexible smartphone clamp



2. Connect the microphone to the Smartphone clamp



3. Connect the microphone to your smartphone with TRS-TRRS audio output cable

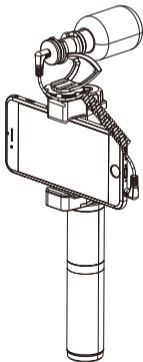
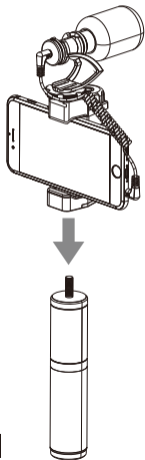


- 👉 1. Please note that you should connect Cable's TRS end to the microphone, and Cable's TRRS end to the smartphone. Otherwise it'll not work.
- 2. While you work with the smartphone with Lightning or Type-C interface, you should buy(3.5mm-Lightning, 3.5mm-Type-C) and connect the cable adapter separately.

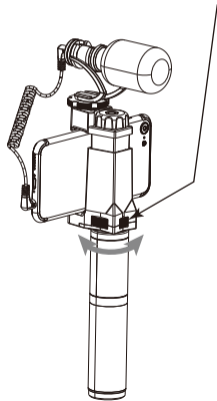
Handle Grip

CVM-VM10-K1 Kits :

Install the flexible smartphone clamp to the ordinary handle Grip (with 1/4 Screw), then fixing them through smartphone clamp locking screw.

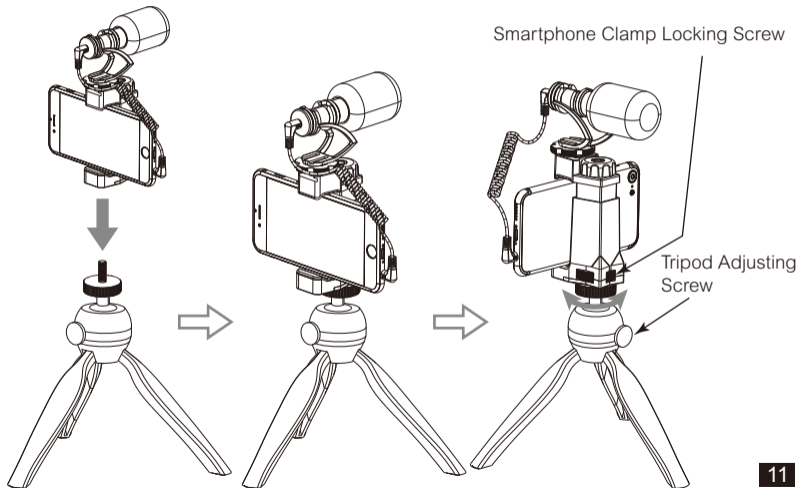


Smartphone Clamp Locking Screw



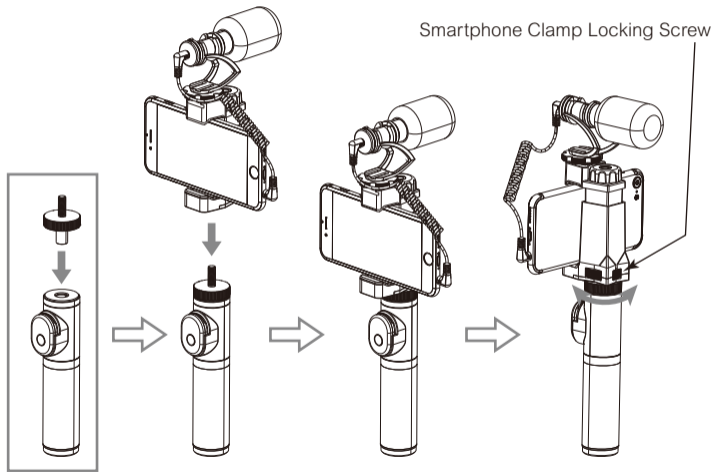
CVM-VM10-K2 Kits :

Install the flexible smartphone clamp to the tripod, then fixing them through smartphone clamp locking screw, and adjust to the suitable angle for shooting.



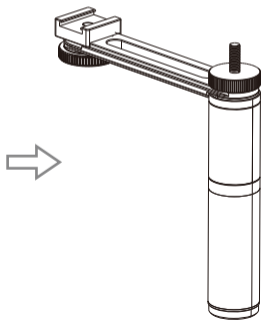
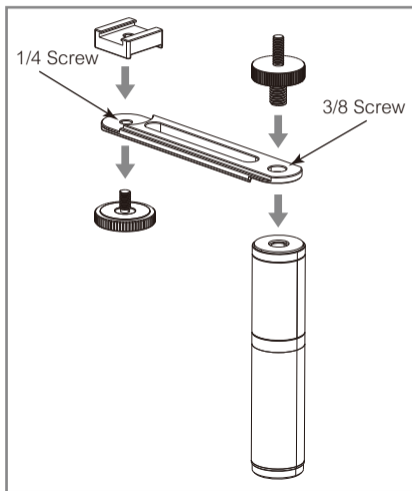
CVM-VM10-K3 Kits :

Install the smartphone clamp to the electronic handle grip, lock them through smartphone locking screw.

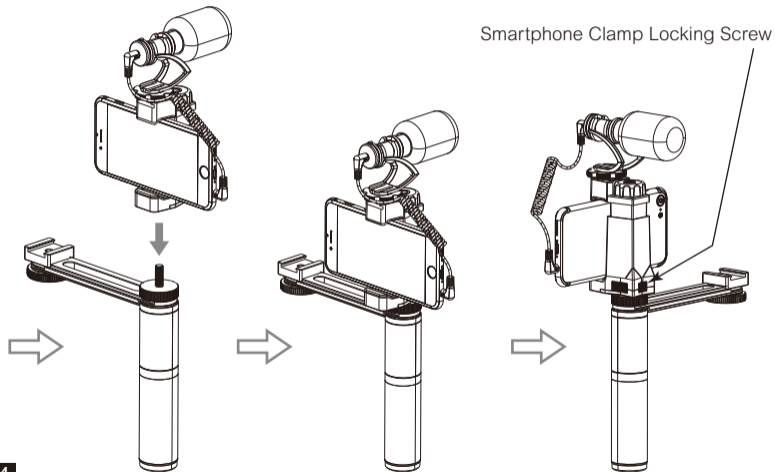


CVM-VM10-K4 Kits :

1. Install the cold shoe, connecting thread screw, ordinary thread screw and connecting rod to ordinary handle grip (with 3/8 Screw)



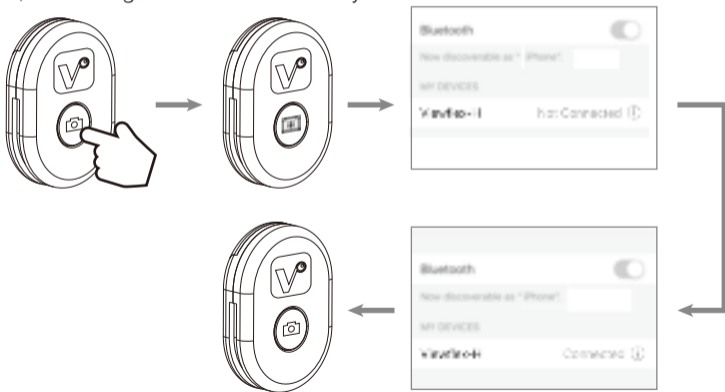
2. Install the flexible smartphone clamp to ordinary handle grip(with 3/8 Screw), then lock them through smartphone clamp screw



Bluetooth Remote control Instruction

First Step: Start the Bluetooth Remote Control

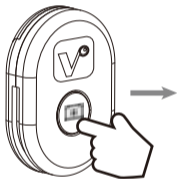
Press and hold for 2 seconds to start the Bluetooth remote control. When the blue light flickers, find and connect the ViewFlex-H on the smartphone Bluetooth device. If it is connected, the blue light will go out; if it is not connected, the blue light will flicker once every second



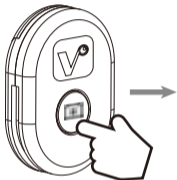
Second Step: Functional operation

Photo Mode:

1. (In the Bluetooth remote control state) When the phone is connected to the ViewFlex-H Bluetooth device, adjust the smartphone to the photo mode. At this time, the Bluetooth remote control button can replace the smartphone photo button. Short press once, the green light will flicker 3 times and take a picture



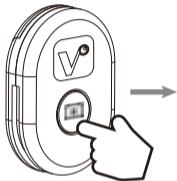
2. Press and hold the Bluetooth remote control button for three seconds, when the green light is on, release the button, and the green light flickers 3 times, the smartphone enters the automatic continuous shooting mode (The continuous shooting time lasts for 3 seconds, and the number of photos is subject to the smartphone)



 Continuous shooting function is only used for rear camera

Video Mode:

Enter the smartphone video mode, short press the Bluetooth remote control button, the smartphone starts recording, press the Bluetooth remote control button again, then the green light flickers 3 times and the video recording ends



Bluetooth Disconnection:

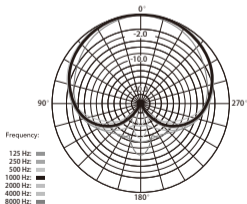
1. Automatic disconnect
After 10 minutes of no operation, Bluetooth remote control automatically turns off.
2. Manual disconnect
Press and hold the Bluetooth remote control button for 6 seconds. When the blue light is on and start flickering once every second, the smartphone is disconnected from the Bluetooth remote control, and you can reconnect different smartphones

Specification

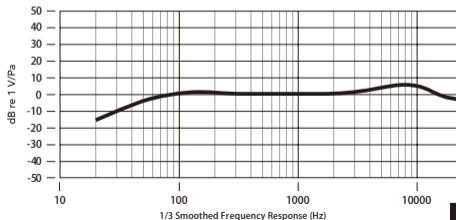
Microphone

Polar Pattern	Cardioid
Frequency Range	60Hz~20kHz
Sensitivity	-33dB \pm 2dB
Signal/Noise	>75dB
Maximum SPL	>105dB
Operating Voltage	1.0V~10V

Polar Pattern



Frequency Response



Bluetooth Remote

Version	3.0
Effective Distance	10m
Battery	CR2032 x 1
Power off automatilly while no operation	10 Minutes
Size	35x25x8.4mm

CVM-VM10-K(1,2,3,4)

多功能手机专用摄像套装



用户使用说明书

前言

感谢您购买Comica/科唛 CVM-VM10-K (1, 2, 3, 4) 多功能手机专用摄像套装。

本产品采用平衡稳定结构设计而成，集成了“一键控制视频拍摄”；“可拆卸远程电子蓝牙遥控”；“兼容IOS和安卓系统”；“手机夹设计精巧易安装”；“延展性强，多种灵活组合”；可外接麦克风，补光灯等附件设备等功能，让您的拍摄技术更具专业水准！

为保证产品的安全，请在使用前严格阅读本说明书，并正确组装及操作。

注意事项

1. 注意按照步骤装配，否则会造成零件无法配对影响使用；
2. 本产品有多种组装模式，请根据使用需要正确组装；
3. 蓝牙遥控属于电子部件，请勿在雨中或潮湿环境中使用；
4. 本产品小零部件众多，请勿吞食，造成生命危险；
5. 废旧电池请勿随地丢弃，造成环境污染；
6. 本蓝牙遥控体积小巧，请勿随意放置，造成丢失影响使用；
7. 使用前请仔细阅读说明书；

产品主要功能

- . 可拆卸远程电子蓝牙遥控，一键控制视频拍摄；
- . 兼容IOS和安卓系统；
- . 手机夹设计精巧易安装；
- . 延展性强，多种灵活组合；
- . 可外接麦克风，补光灯等附件设备；
- . 全金属CNC加工而成，稳固耐用；



一键控制



蓝牙控制



简易安装



组合灵活



兼容IOS和安卓系统



CNC加工

包装清单

CVM-VM10-K1套装:

1. 麦克风
2. 多功能手机夹
3. 普通手柄（1/4螺丝）
4. TRS-TRRS音频输出线
5. 防风毛
6. 便携包
7. 说明书
8. 保修卡



①



②



③



④



⑤



⑥



⑦



⑧

CVM-VM10-K2套装:

1. 麦克风
2. 多功能手机夹
3. 三角架
4. TRS-TRRS音频输出线
5. 防风毛
6. 便携包
7. 说明书
8. 保修卡



①



②



③



④



⑤



⑥



⑦



⑧

CVM-VM10-K3套装:

1. 麦克风
2. 多功能手机夹
3. 电子手柄
4. 手柄螺丝
5. TRS-TRRS 音频输出线
6. 防风毛
7. 便携包
8. 说明书
9. 保修卡



①



②



③



④



⑤



⑥



⑦



⑧



⑨

CVM-VM10-K4套装:

1. 麦克风
2. 多功能手机夹
3. 普通手柄 (3/8孔)
4. 手柄螺丝
5. 连接杆
6. 冷靴
7. 锁紧螺丝
8. TRS-TRRS 音频输出线
9. 防风毛
10. 便携包
11. 说明书
12. 保修卡



①



②



③



④



⑤



⑥



⑦



⑧



⑨



⑩



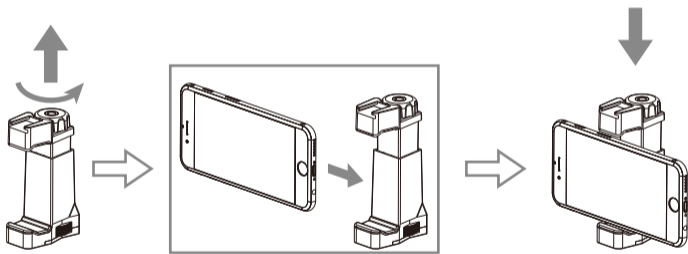
⑪



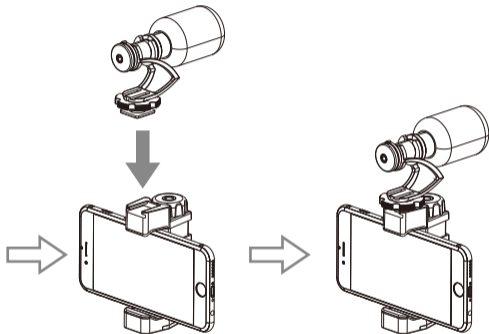
⑫

多功能手机夹的安装：

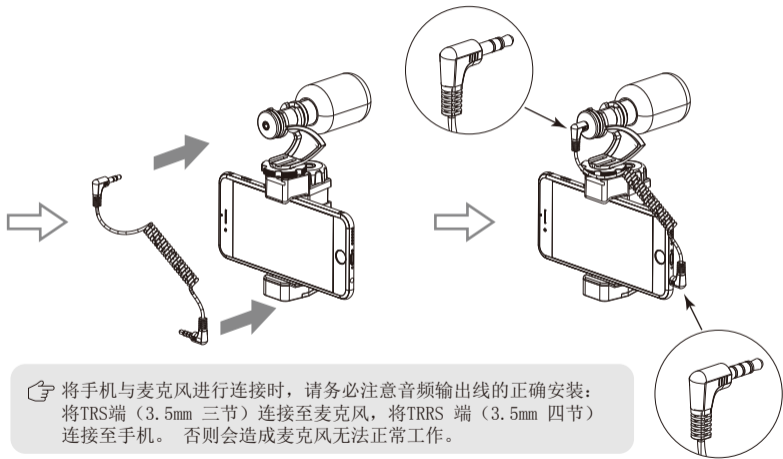
1. 把手机安装到多功能手机夹上



2. 把麦克风安装到多功能手机夹上



3. 通过“TRS-TRRS音频输出线”将麦克风和手机连接

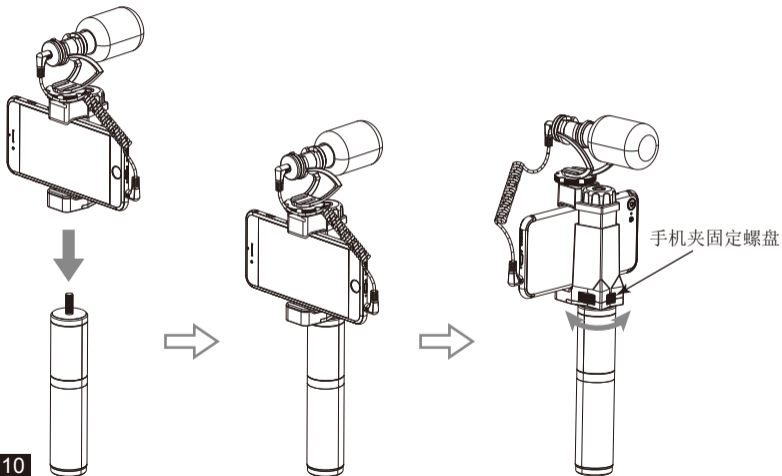


👉 将手机与麦克风进行连接时，请务必注意音频输出线的正确安装：将TRS端（3.5mm 三节）连接至麦克风，将TRRS端（3.5mm 四节）连接至手机。否则会造成麦克风无法正常工作。

手柄的安装

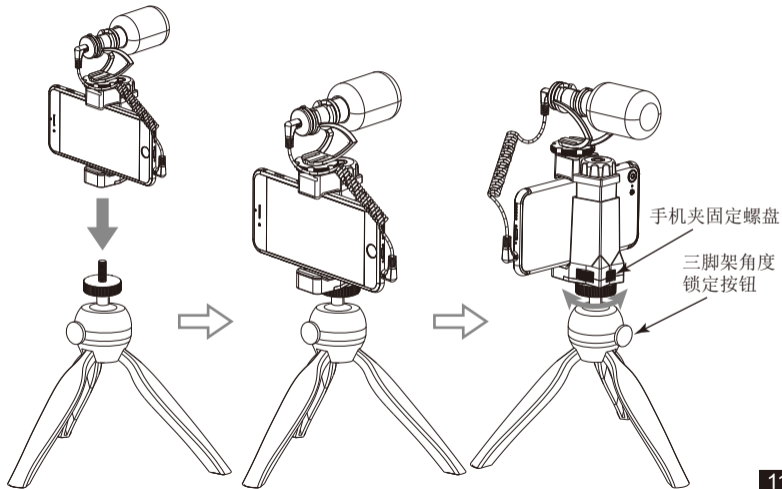
CVM-VM10-K1套装:

把多功能手机夹安装到普通手柄（带1/4螺丝）上，通过手机夹固定螺盘固定



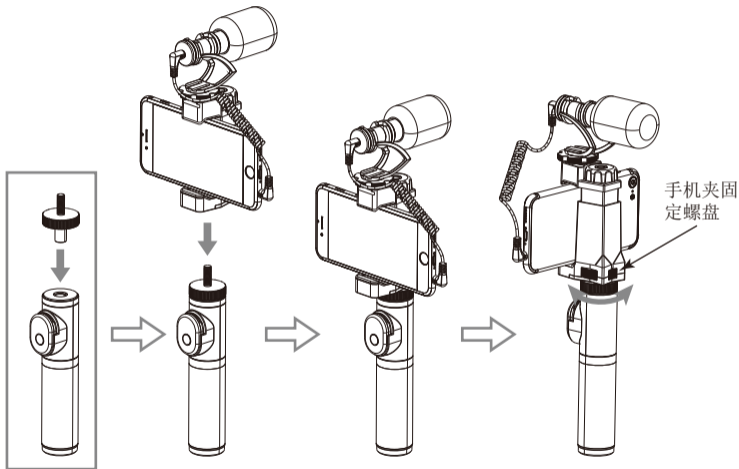
CVM-VM10-K2套装:

把多功能手机夹安装到三角架上，通过手机夹固定螺盘固定，通过三脚架角度锁定按钮调整适当的角度



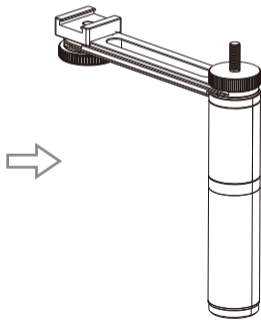
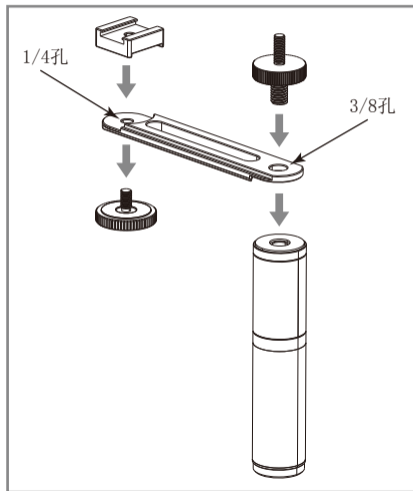
CVM-VM10-K3套装:

连接接头螺丝至电子手柄，把多功能手机夹安装至电子手柄，通过手机夹固定螺盘固定

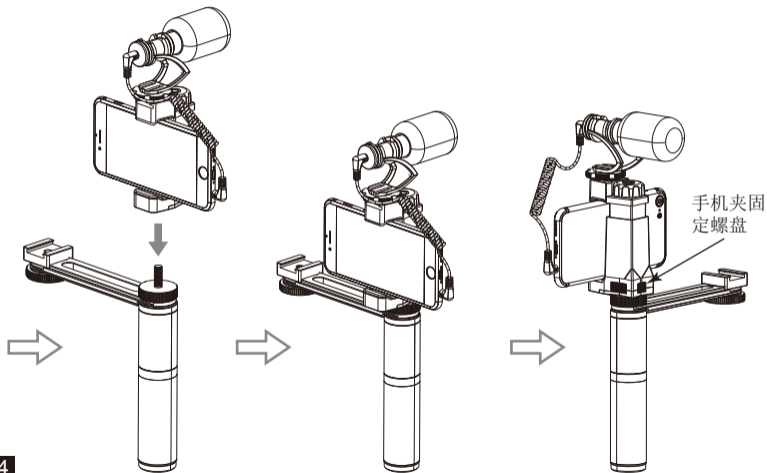


CVM-VM10-K4套装:

1. 将冷靴、接头螺丝、锁紧螺丝和连接杆等部件按照图示方向安装至普通手柄（3/8孔）



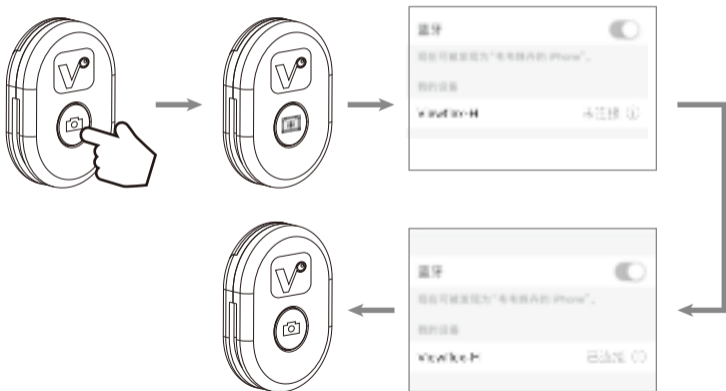
2. 将多功能手机夹安装至普通手柄(3/8孔), 通过手机夹固定螺盘固定



蓝牙遥控使用说明

第一步启动蓝牙遥控：

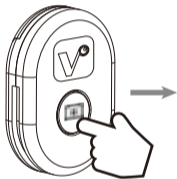
长按2秒启动蓝牙遥控，当蓝灯闪烁后，在手机蓝牙设备上查看Viewflex-H蓝牙设备，这时点击连接，如果连接上，则蓝灯熄灭；如没连接上，蓝灯间隔1秒闪烁一次。



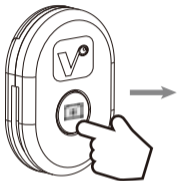
第二步功能操作：

拍照：

- 1.（在蓝牙遥控开机状态下）在手机连接上Viewflex-H蓝牙设备时，将手机调至拍照界面，这时蓝牙遥控按键可代替手机拍照按键，短按一次，绿灯会连闪三次，拍照一张；

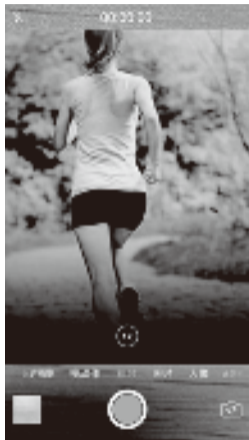
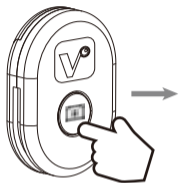


2. 若长按3秒蓝牙遥控按键，当绿灯亮后，松开按键，绿灯闪3下后，手机进入自动连拍模式（连拍时长3秒，根据手机性能拍照张数不定）



👉 连拍功能只用于后置摄像头

录像：进入手机摄像界面，短按蓝牙遥控按键，手机开始录像，再按一次蓝牙遥控按键，这时绿灯闪3下，视频录制结束。



断开连接：

1. 自动断开

无操作10分钟后，蓝牙遥控将自动关闭

2. 手动断开

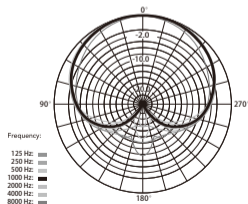
长按蓝牙遥控按键6秒，至蓝灯亮屏开始每间隔一秒闪烁一次，则手机与蓝牙遥控断开连接，这时可重新连接不同的手机。

技术参数

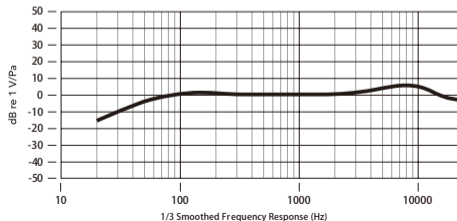
麦克风

指向性	心型
频率范围	60Hz~20kHz
灵敏度	-33dB ±2dB
信噪比	>75dB
最大声压等级	>105dB
工作电压	1.0V~10V

指向图



频率响应图



蓝牙遥控器

蓝牙版本	3.0
有效距离	10m
电池	CR2032 x 1
无操作自动关机时间	10分钟
尺寸	35x25x8.4mm



www.comica-audio.com

The COMICA logo is trademark which is registered and owned by Commlite Technology Co.,Ltd
Email: support@comica-audio.com