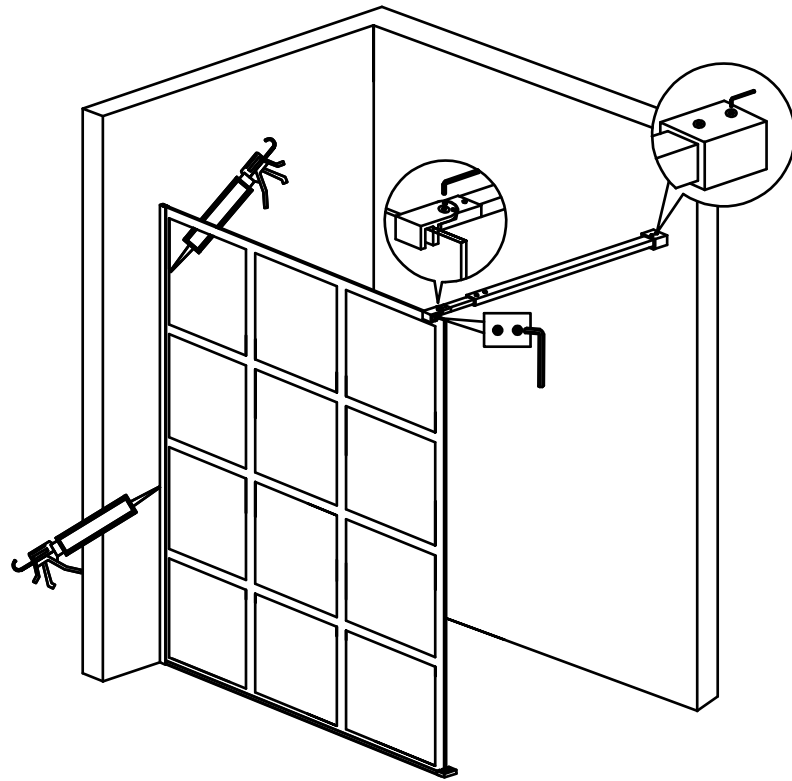
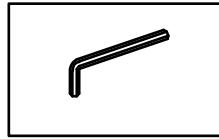
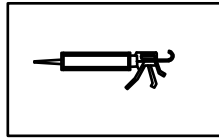
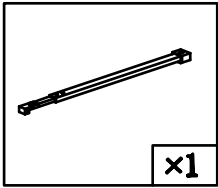
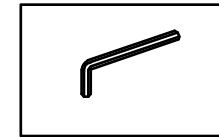
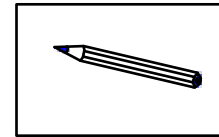
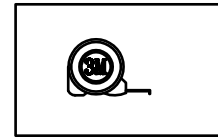
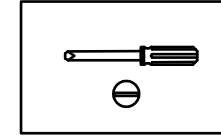
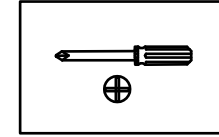
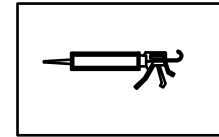
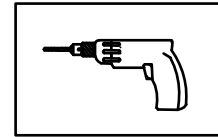
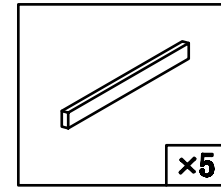
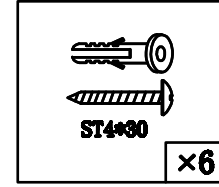
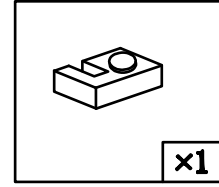
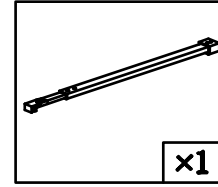
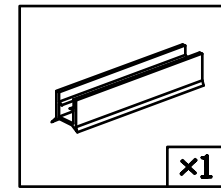
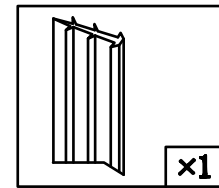
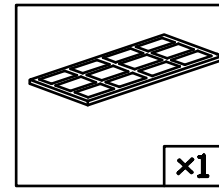
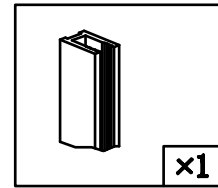


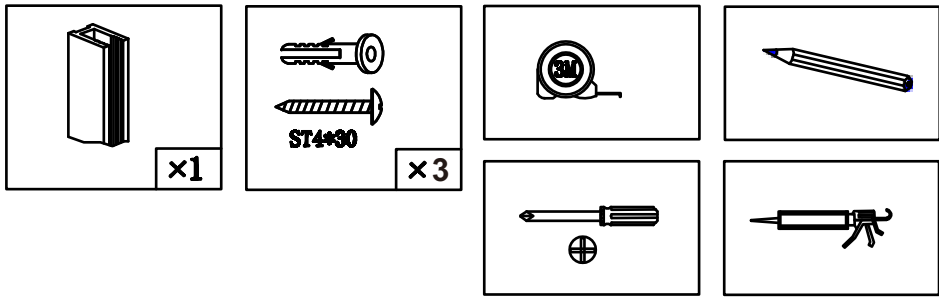
9



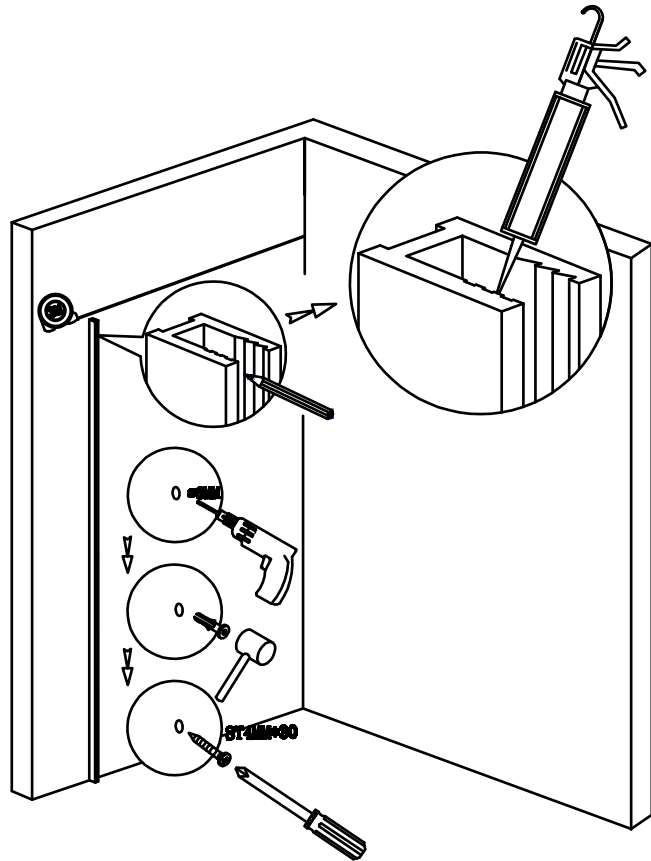
8



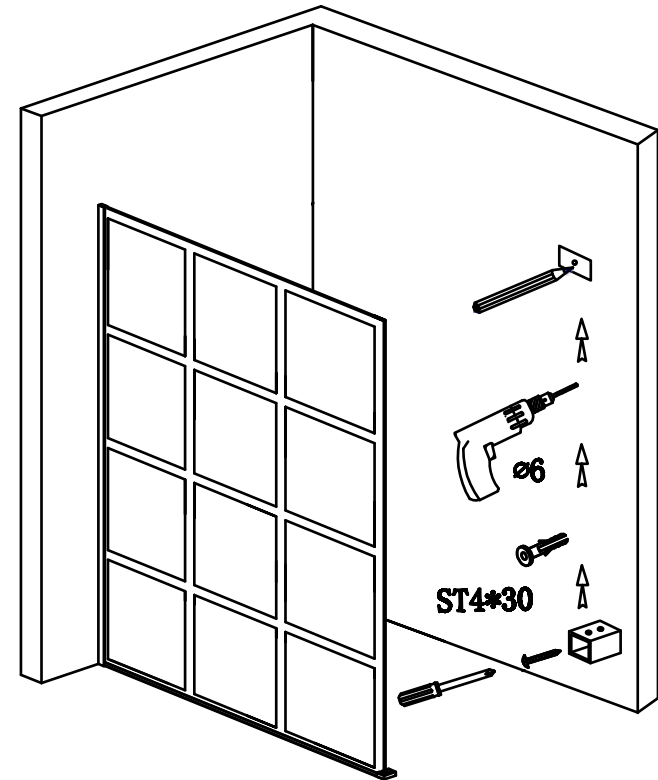
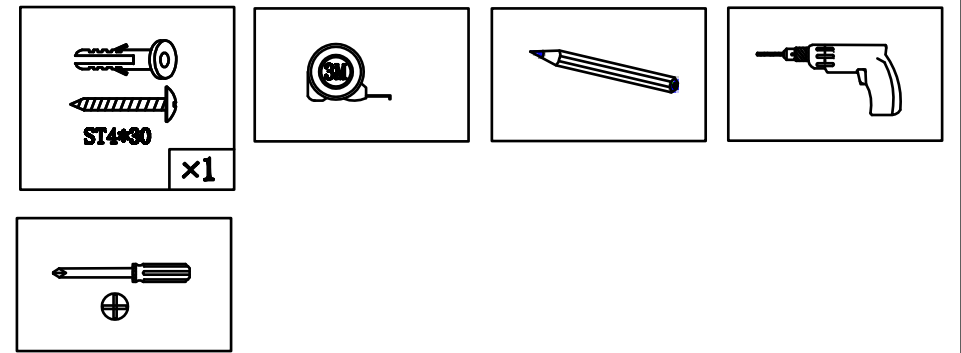
1



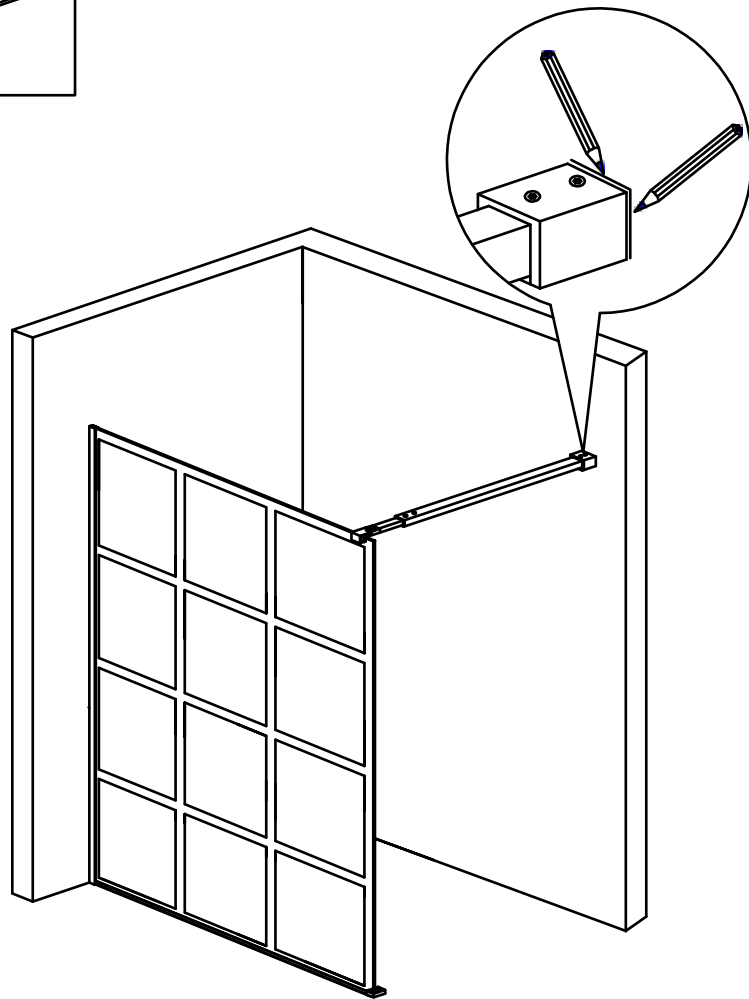
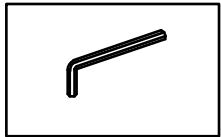
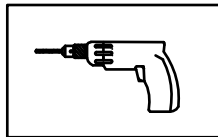
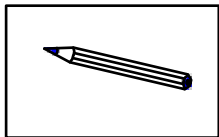
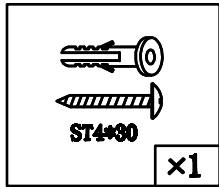
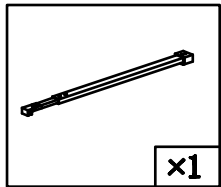
**ATTENTION TO THE SIDE FOR SILICON**



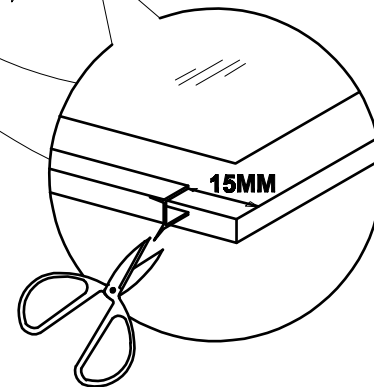
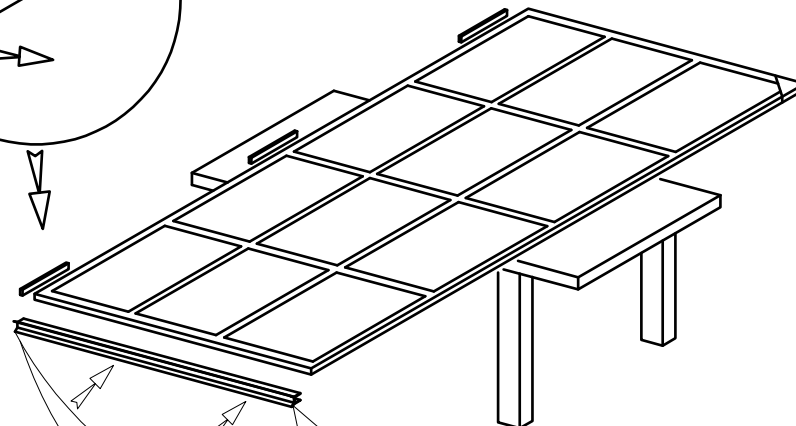
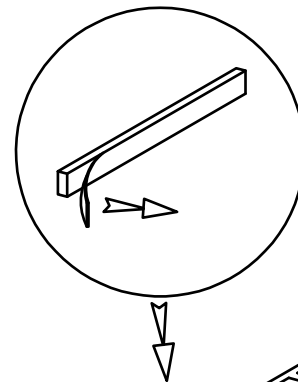
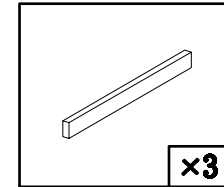
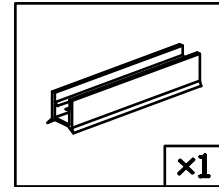
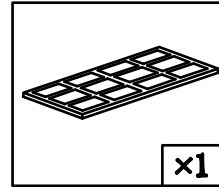
**2**



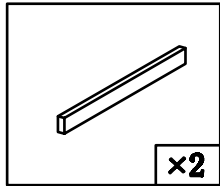
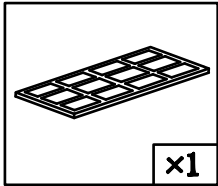
**7**



6



3



**ATTENTION : MOVE SLOWLY !**

