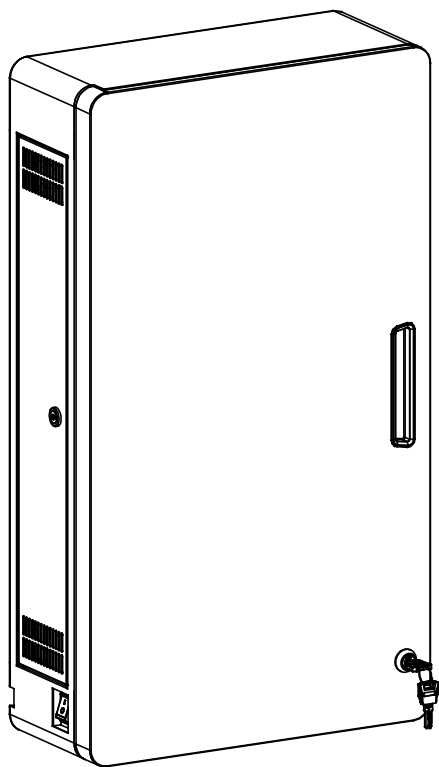
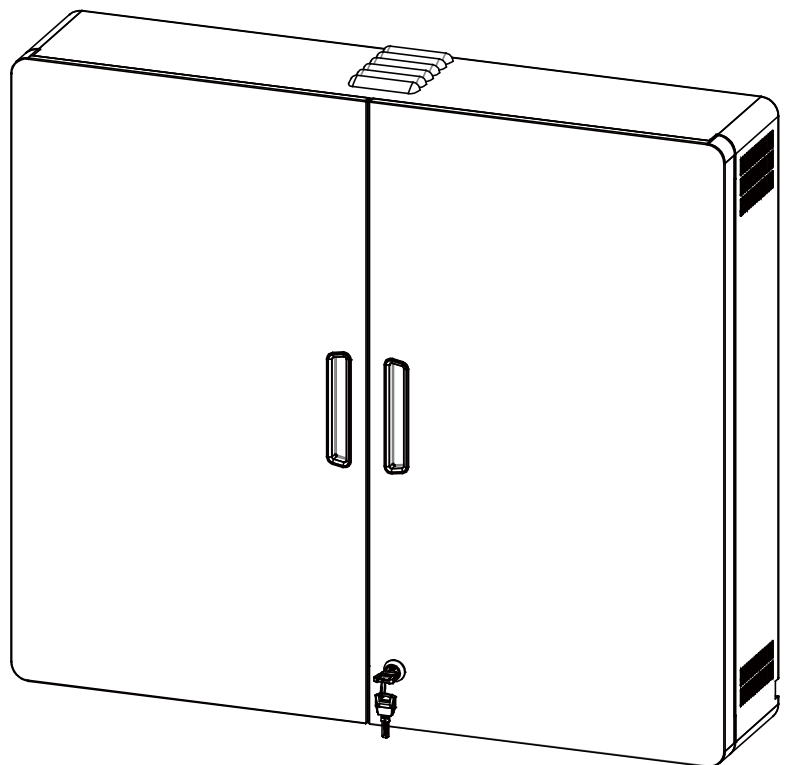


# 8/16 Port Wall Charging Cabinet



8 Port



16 Port





IVOL



Habraken 2327  
5507TK, Veldhoven  
The Netherlands  
Tel: +31 (0)40-2542823  
info@ivol.nl

# Hazard Symbols Review

These symbols alert users of a safety condition that demands attention. All users should be able to recognize and understand the significance of the following Safety Hazards if encountered on the product or within the documentation. Children who are not able to recognize and respond appropriately to safety alert should not use this product without adult supervision!

Symbol	Signal Word	Level of Hazard
	NOTE	A Note indicates important information that helps you make better use of this product.
	CAUTION	A CAUTION indicates either potential damage to hardware or loss of data and tells you how to avoid the problem.
	WARNING	A WARNING indicates either potential for property damage, personal injury, or death.
	ELECTRICAL	An electrical indicates an impending electrical hazard which, if not avoided, may result in personal injury, fire and /or death.

## Safety



**WARNING:** Please consult with appropriate engineering, architectural or construction professional to ensure that the mounting solution is mounted properly to handle applied loads.



**CAUTION:** Make sure the cabinet is level to the wall surface. Do not over-tighten the bolts.



8 Port  
 $\leq 29.54 \text{ lbs. (13.4kg)}$

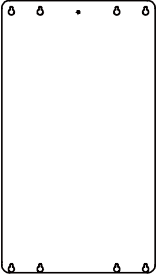
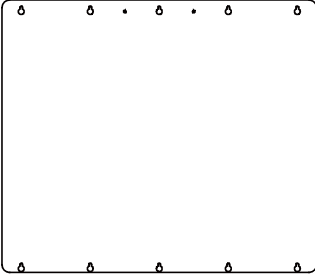


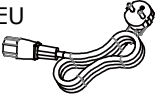
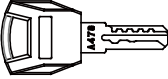
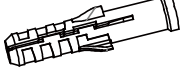
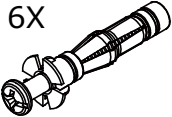



**CAUTION:** Do not exceed maximum listed weight capacity. Serious injury or property damage may occur.



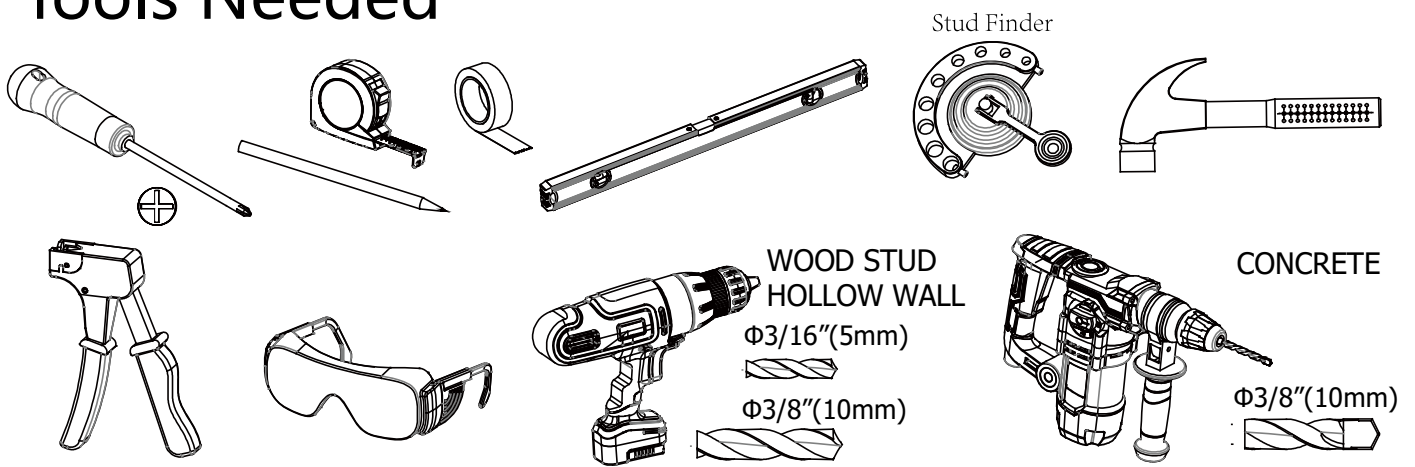
16 Port  
 $\leq 59.08 \text{ lbs. (26.8kg)}$

**CAUTION:** Do not exceed maximum listed weight capacity. Serious injury or property damage may occur.

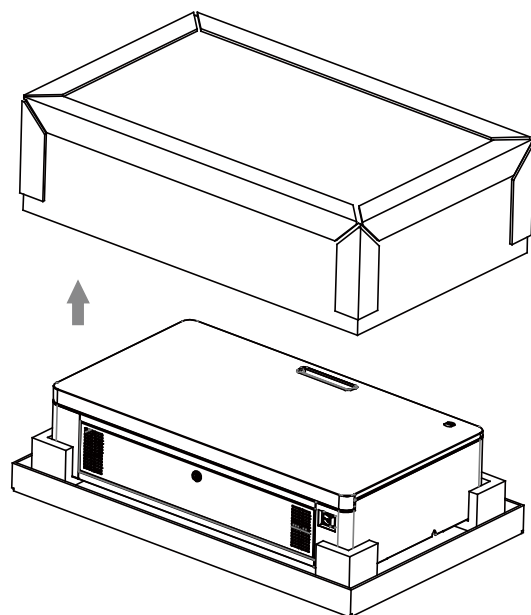
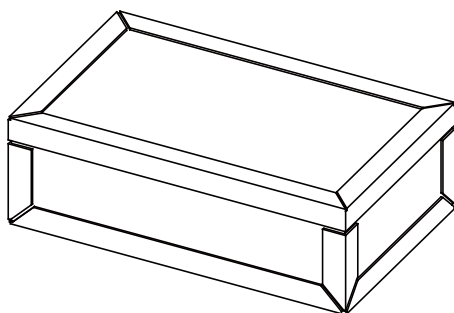
# Components

<p>1X (Only For 8 Port)</p> 	<p>1X (Only For 16 Port)</p> 	<p>1X Switzerland</p>  <p>1X UK</p>  <p>1X EU</p> 	<p>2X</p> 	<p>9X For 8 Port 12X For 16 Port</p> 	<p>6X</p> 
			<p>2X</p> 	<p>9X For 8 Port 12X For 16 Port</p> 	<p>1X</p> 

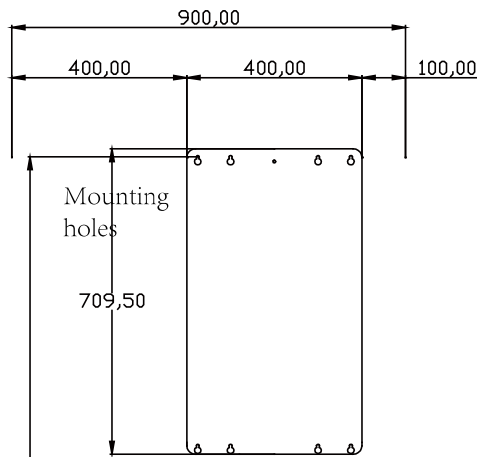
## Tools Needed



# 1 Remove Internal Packaging



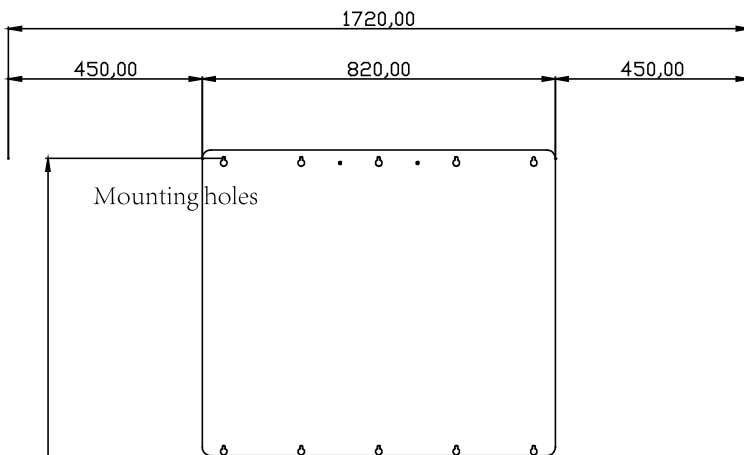
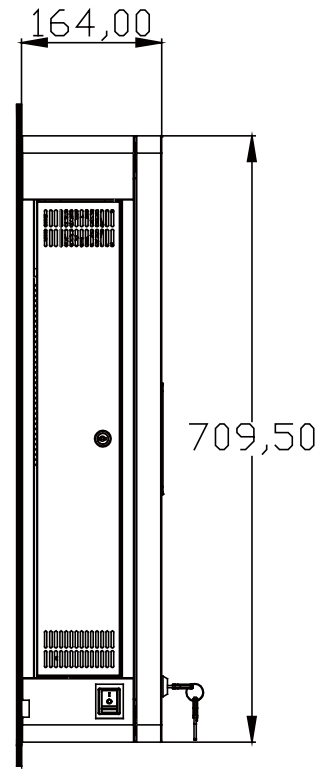
# 2 Mounting Considerations



**62"-68"**  
 (158-173mm)  
 Recommended Mounting Height Above Floor

Please edit height range if needed

**8 Port**

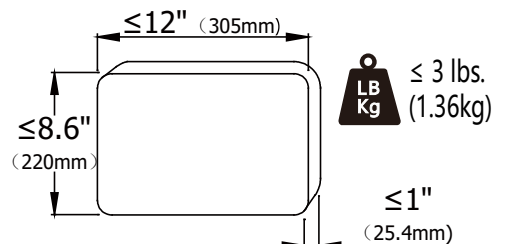


**62"-68"**  
 (158-173mm)  
 Recommended Mounting Height Above Floor

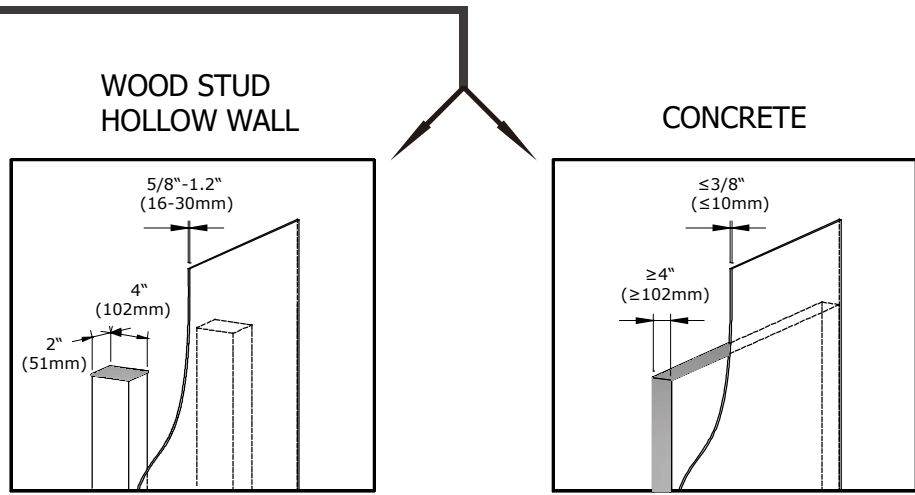
Please edit height range if needed

**16 Port**

Individual tablet weight:  
 Individual dimensions (including cover):



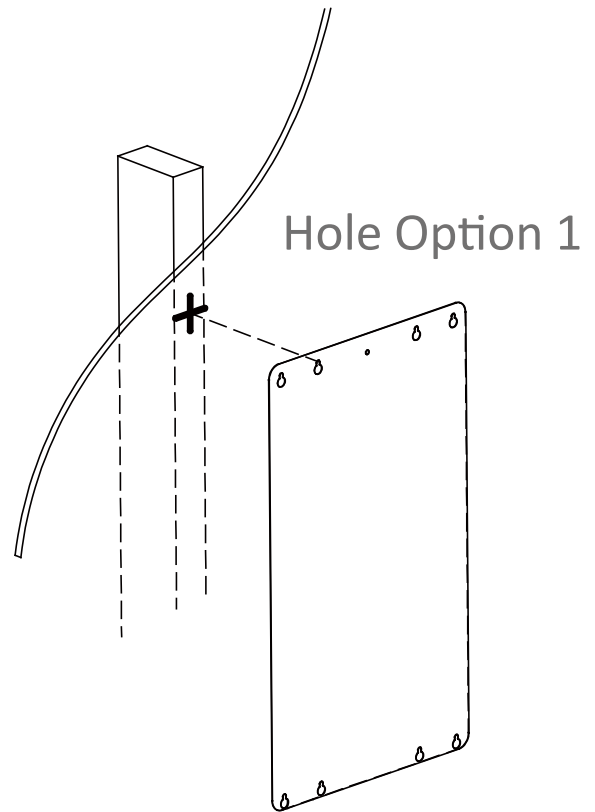
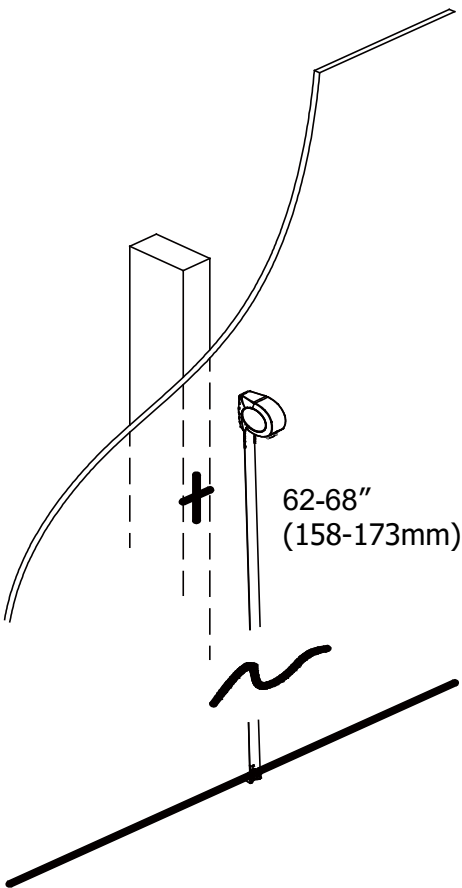
3



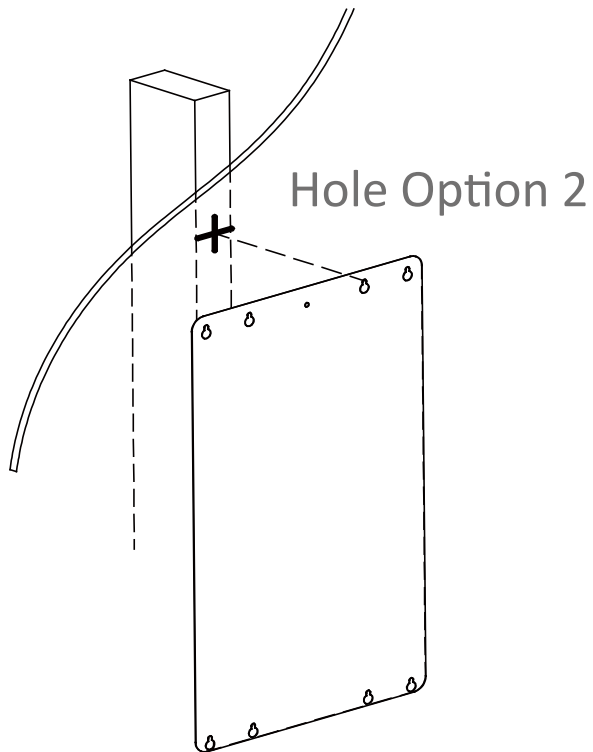
# Wood Stud Hollow Wall For 8 Port

**a.** Find stud and draw a mark, 62"-68"(158-173cm) from floor

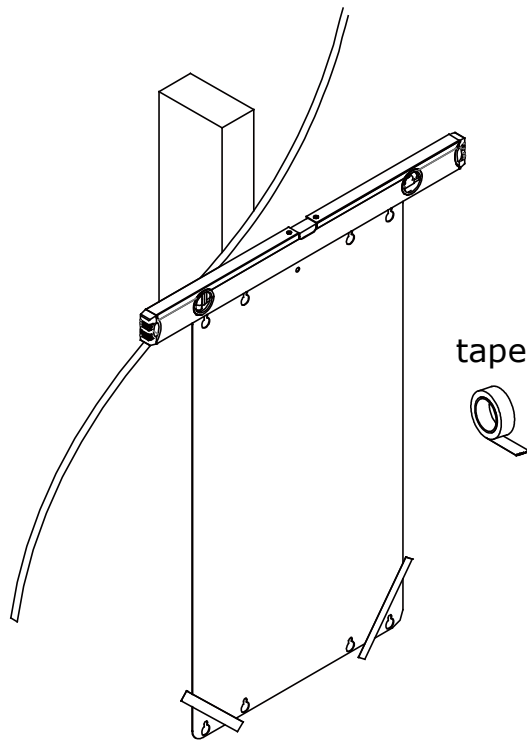
**b.** Place template on wall lining up the chosen hole



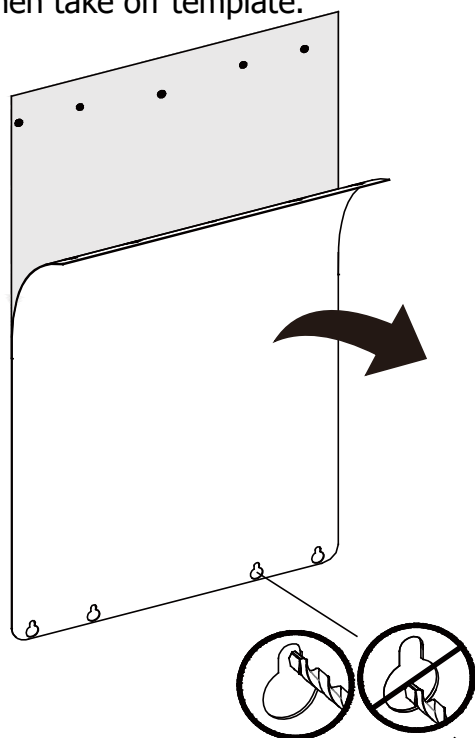
# Wood Stud Hollow Wall For 8 Port



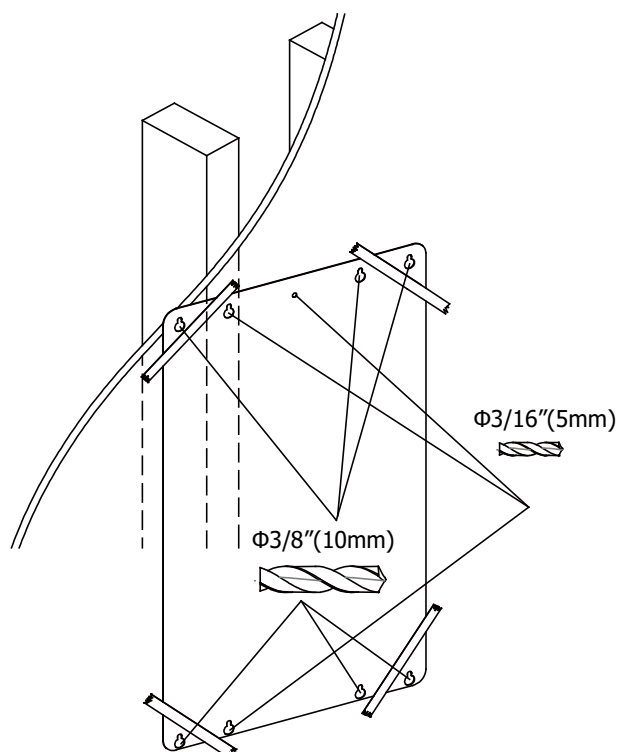
C. Level and secure template to wall



d. Draw marks through holes of template,  
Then take off template.



e. Use suitable drill bit when drilling  
holes, refer to below picture.

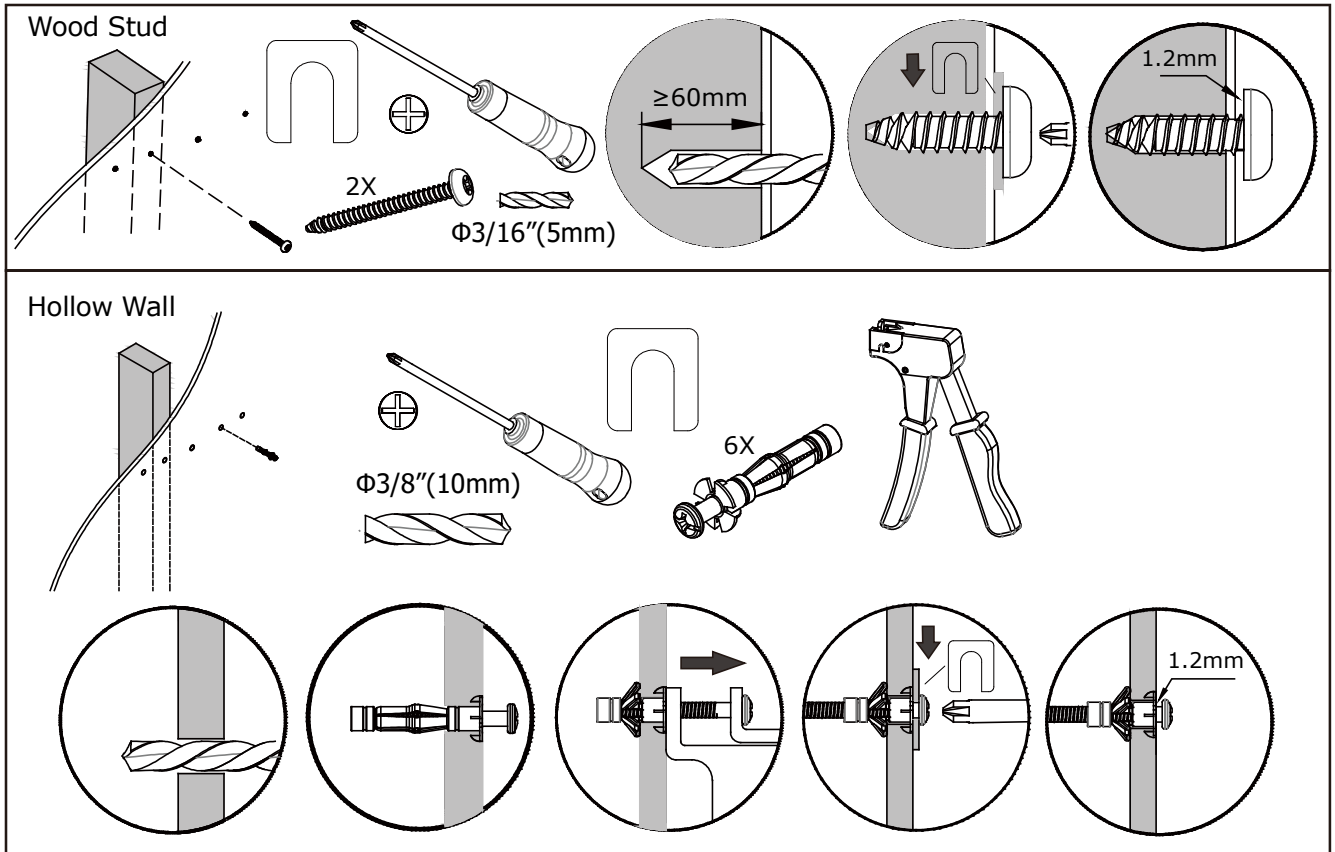


# Wood Stud

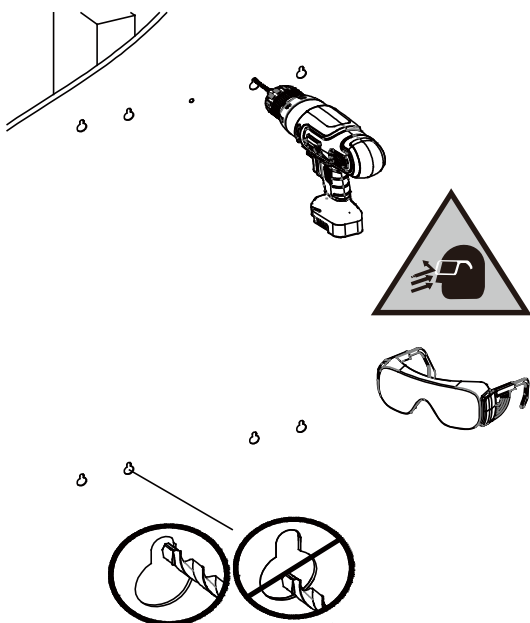
## Hollow Wall For 8 Port



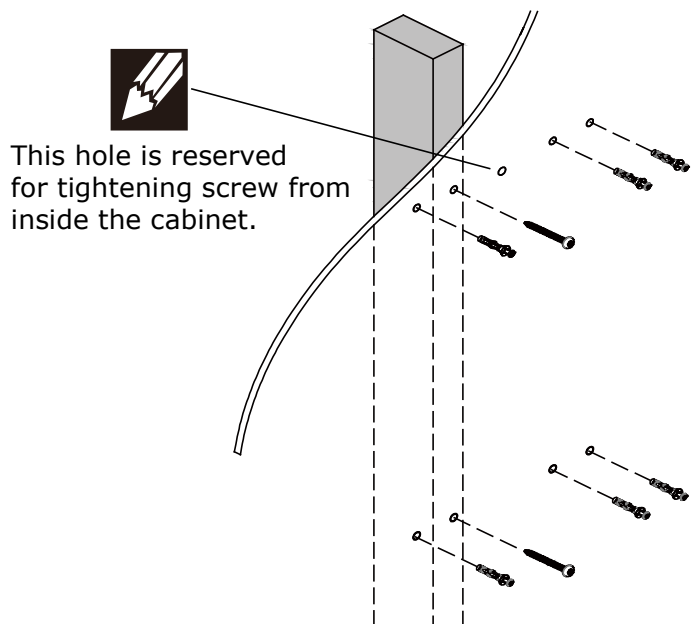
Note: Use the  $\Phi 3/16''$ (5mm) drill bit when drilling directly into the wood stud.  
 Use the  $\Phi 3/8''$ (10mm) drill bit when drilling into the hollow wall for the anchors.  
 Use hollow wall anchors where ever a screw does not get inserted directly into the wood stud.



**f.** Drill 5 holes at the top.  
 Drill 4 holes at the bottom.

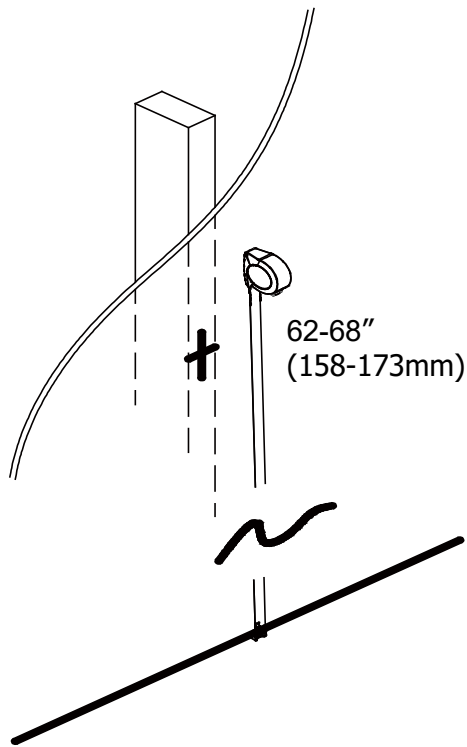


**g.** Insert anchors to wall then tighten screws.

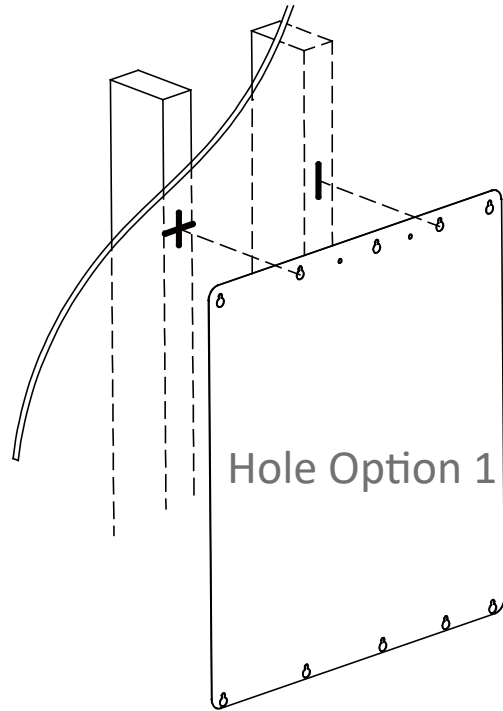


# Wood Stud Hollow Wall For 16 Port

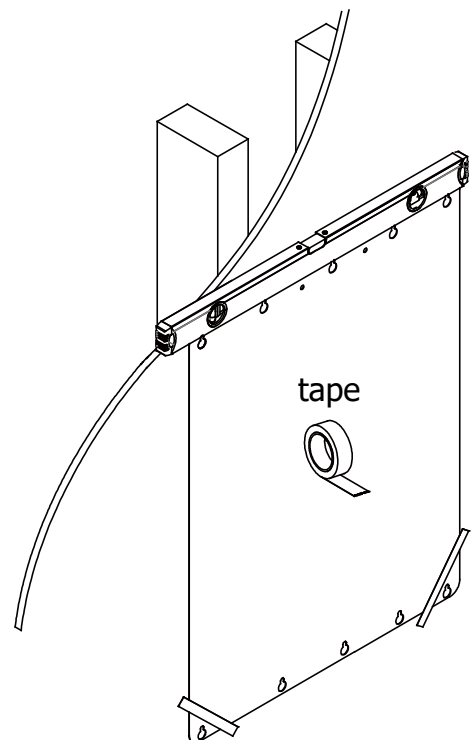
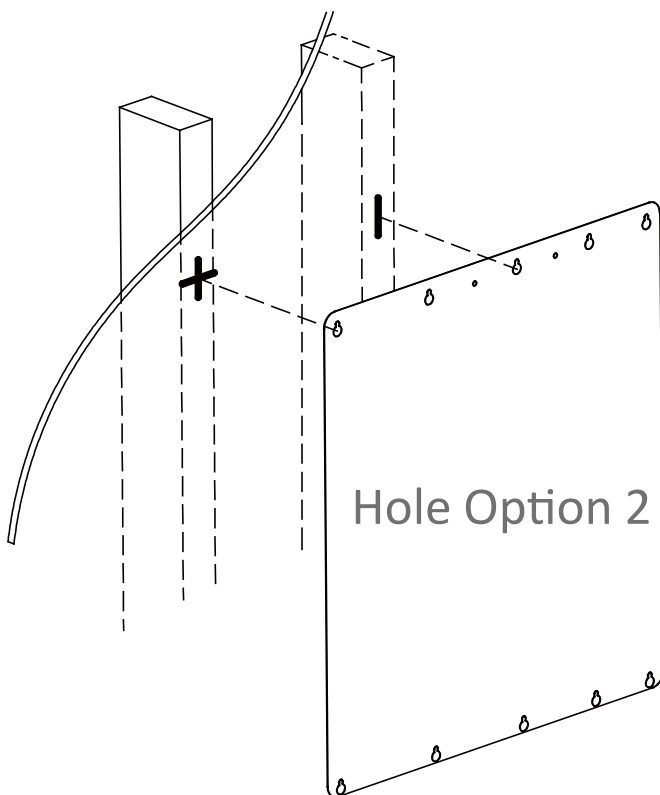
**a.** Find stud and draw a mark,  
62"-68"(158-173cm) from floor.



**b.** Put template on wall lining up  
the chosen holes



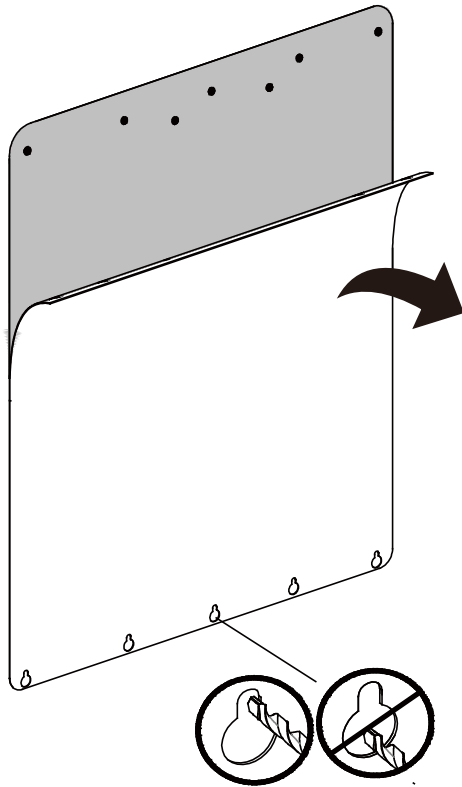
**C.** Level and secure template to wall



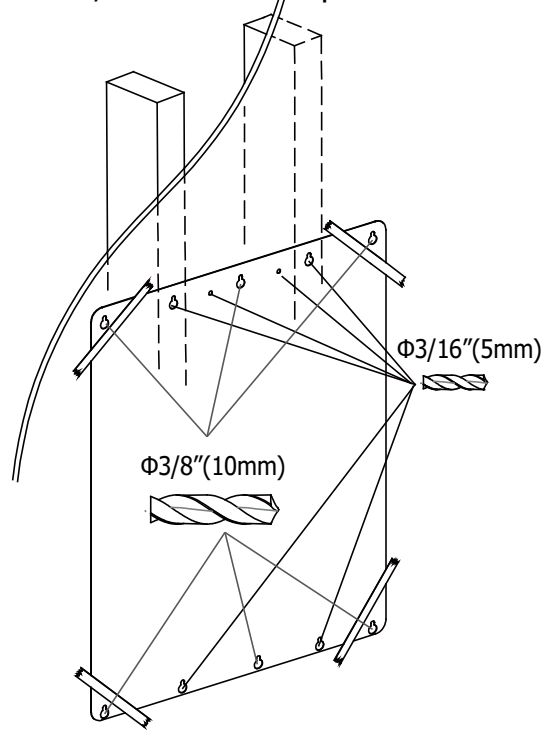


# Wood Stud Hollow Wall For 16 Port

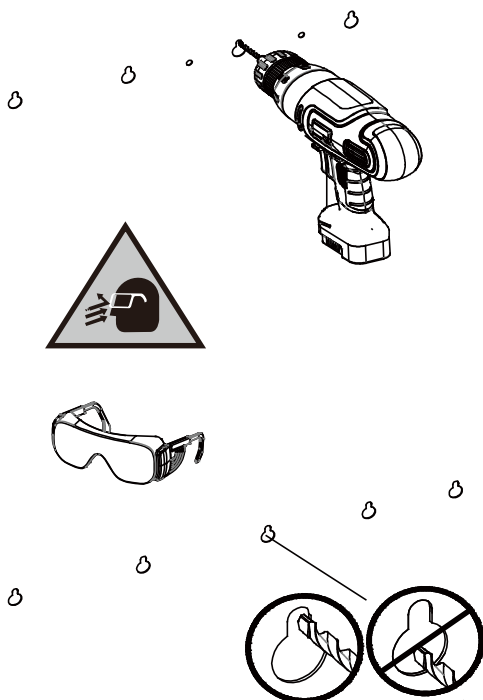
**d.** Draw marks through holes of template, then take off template.



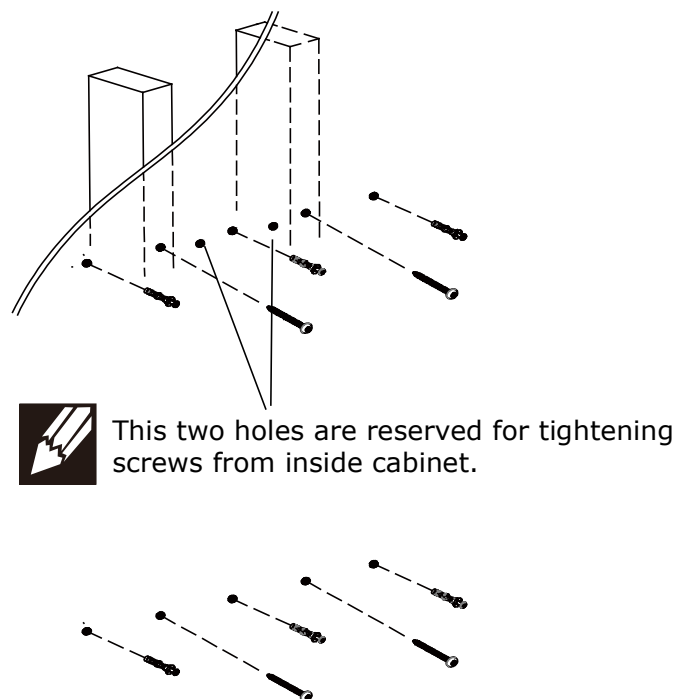
**e.** Use suitable drill bit when drilling holes, refer to below picture.



**f.** Drill 7 holes at the top.  
Drill 5 holes at the bottom



**g.** Insert anchors to wall then tighten screws.

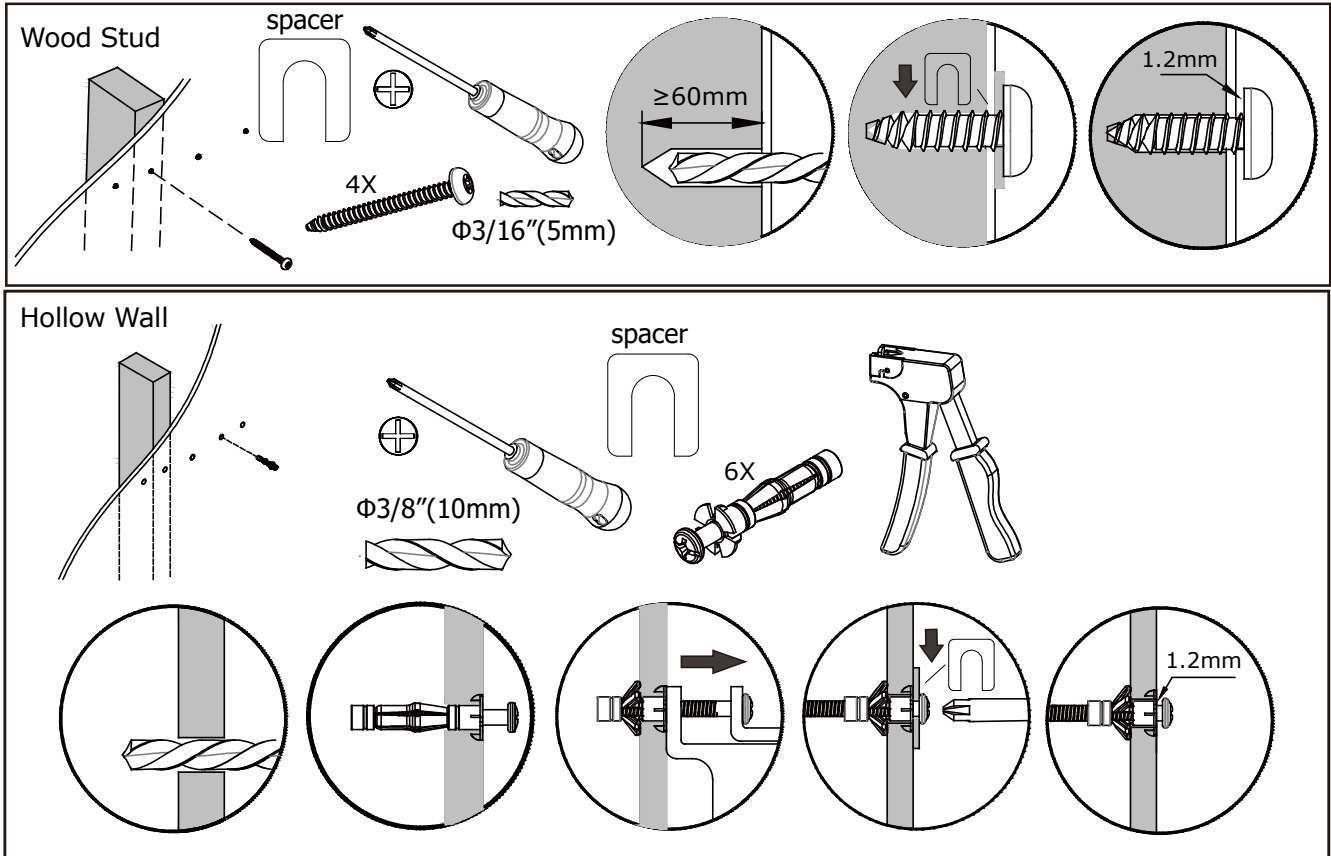


# Wood Stud

## Hollow Wall For 16 Port

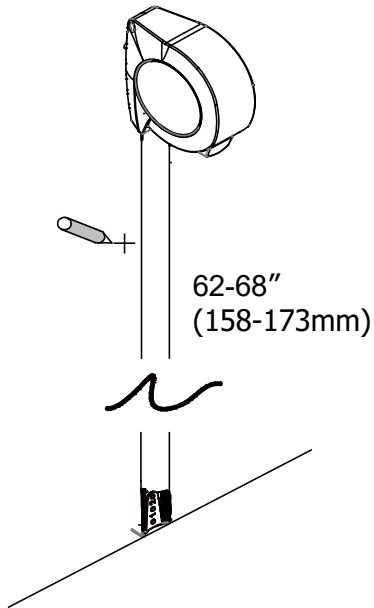


Note: Use the  $\Phi 3/16''$  (5mm) drill bit when drilling directly into the wood stud.  
Use the  $\Phi 3/8''$  (10mm) drill bit when drilling into the hollow wall for the anchors.  
Use hollow wall anchors where ever a screw does not get inserted directly into the wood stud.

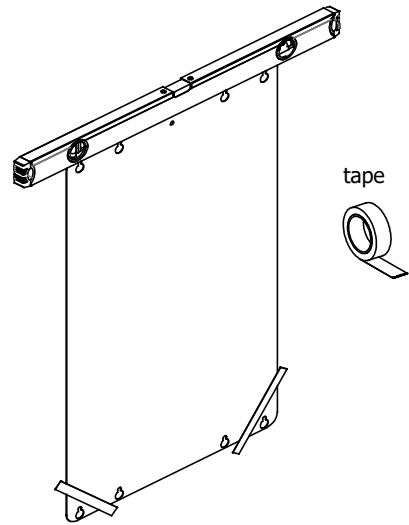


# CONCRETE For 8 Port

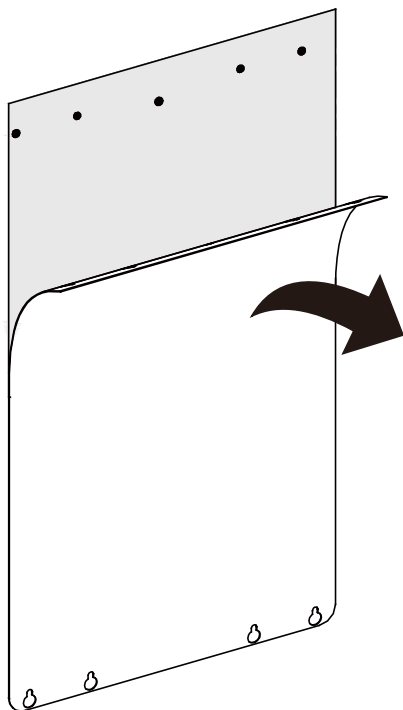
a. Draw a mark on wall  
62"-68"(158-173cm) from floor.



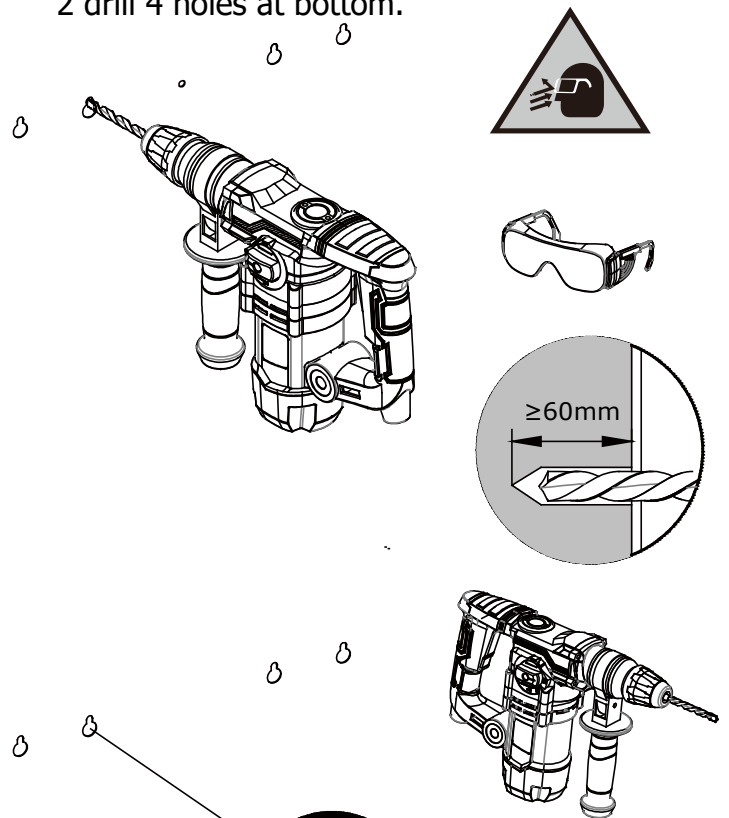
b. Level and secure template to wall.



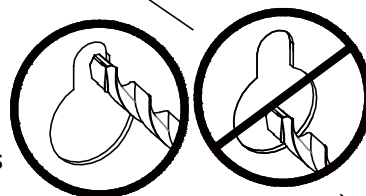
c. Draw marks through template, then take off template.



d. 1 drill 5 holes at top.  
2 drill 4 holes at bottom.



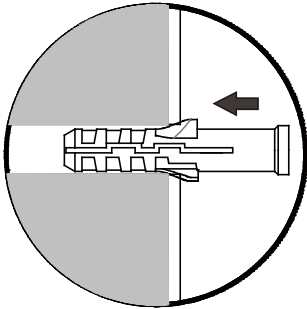
Mounting holes must be at least 2-3/8"(60mm) deep and must be located within solid concrete, not mortar or covering material. If you drill into an area of concrete that is not solid, reposition mounting holes until both anchors can be fully inserted into solid concrete!



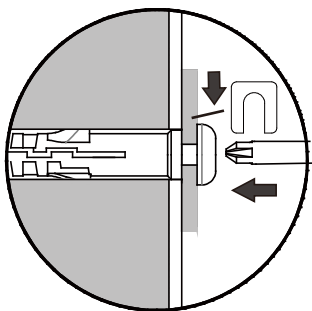
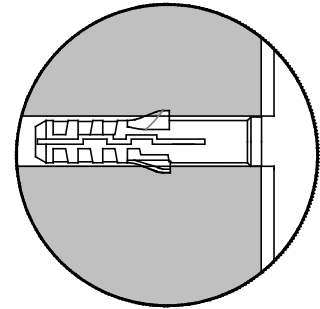
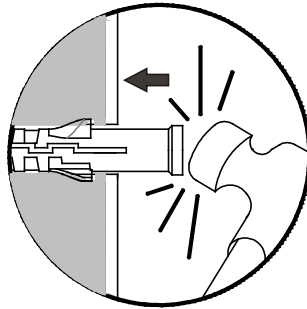
$\phi 3/8'' (10mm)$   
:

# CONCRETE For 8 Port

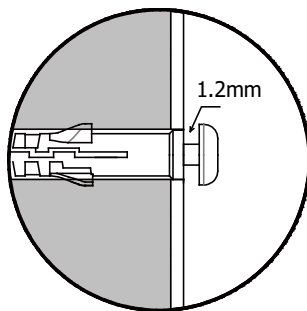
e. Installation of anchors & screws,



Insert anchors into holes.



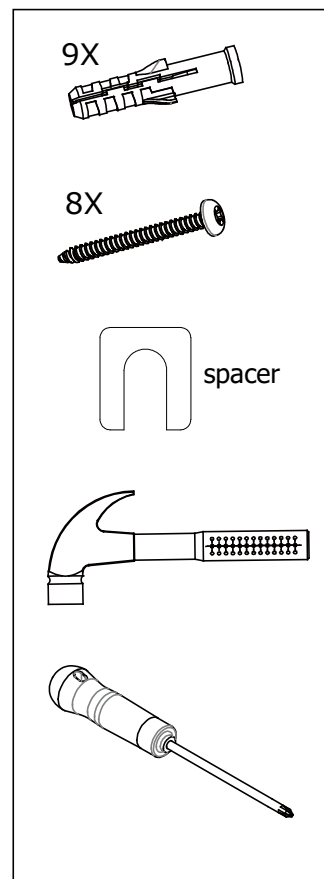
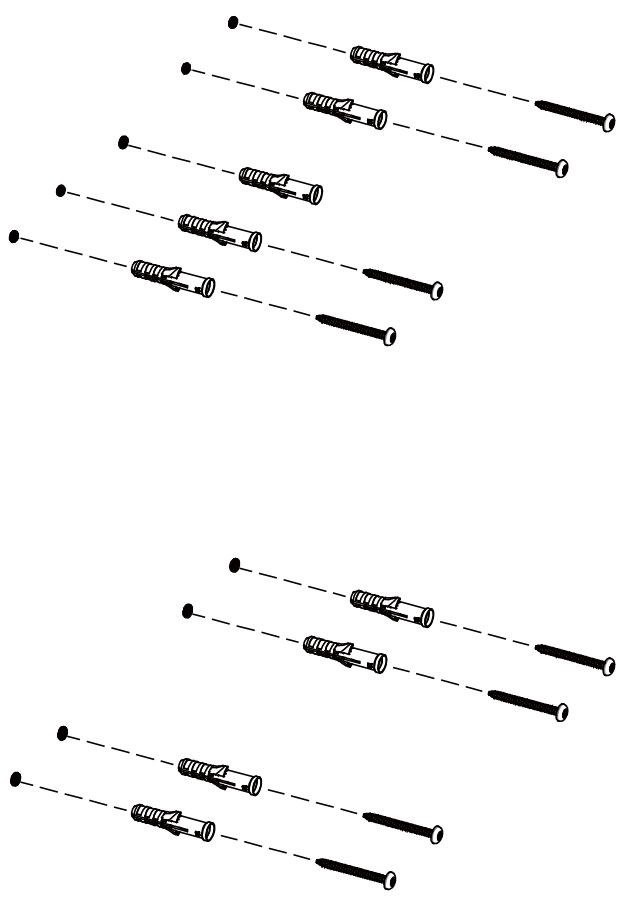
Insert a spacer between wall and screw, tighten screw



Remove spacer

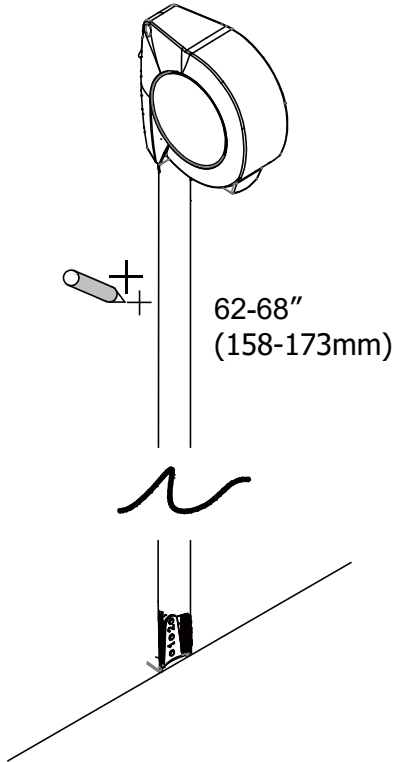


Anchors that are not fully set in solid concrete will not support the applied load resulting in an unstable, unsafe condition which could lead to personal injury and /or property damage. Consult a construction professional if you have any doubt about what this means in regard to your particular situation.

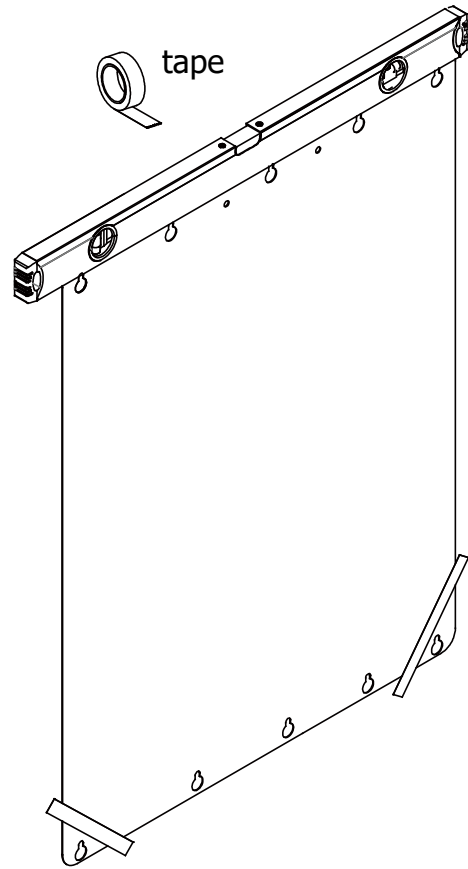


# CONCRETE For 16 Port

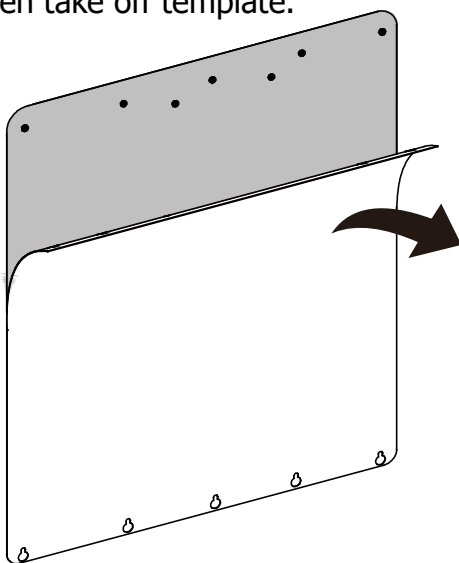
a. Draw a mark on the wall  
62"-68"(158-173cm) from floor.



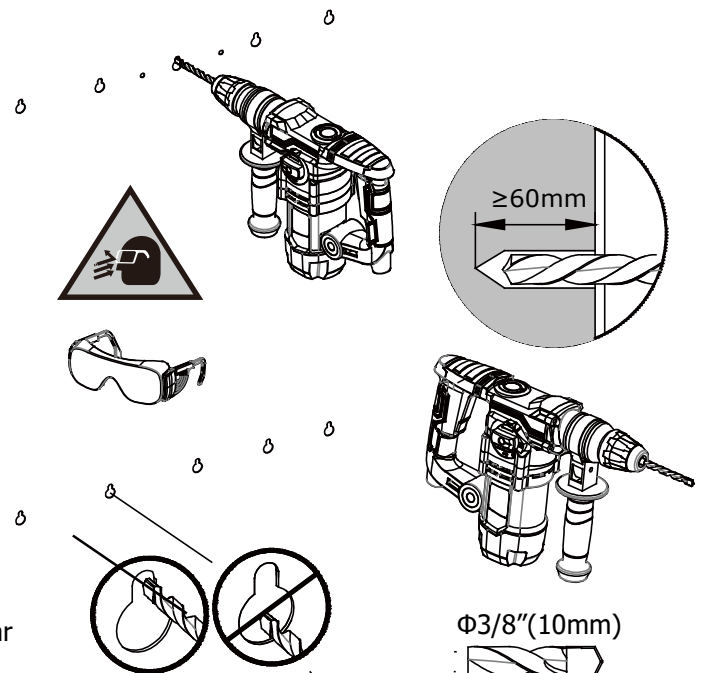
b. Level and secure template to wall.



c. Draw marks through template,  
then take off template.



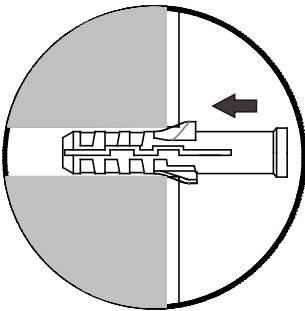
d. 1 Drill 7 holes at top.  
2 Drill 5 holes at bottom.



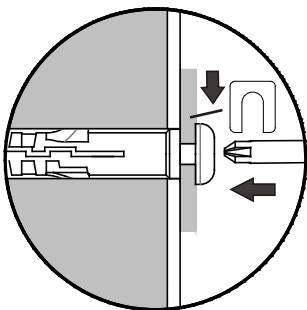
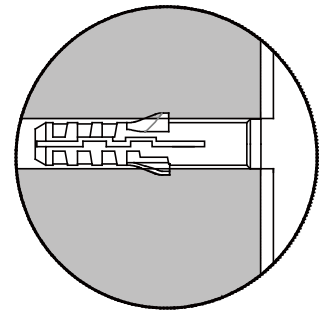
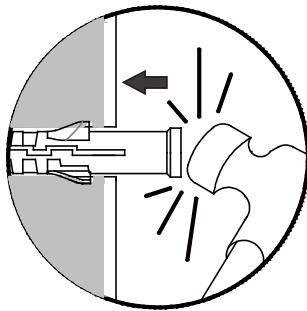
Mounting holes must be at least 2-3/8"(60mm) deep and must be located within solid concrete, not mortar or covering material. If you drill into an area of concrete that is not solid, reposition mounting holes until both anchors can be fully inserted into solid concrete!

# CONCRETE For 16 Port

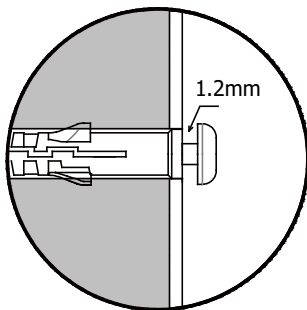
e. Installation of anchors and screws.



Insert anchors into holes.



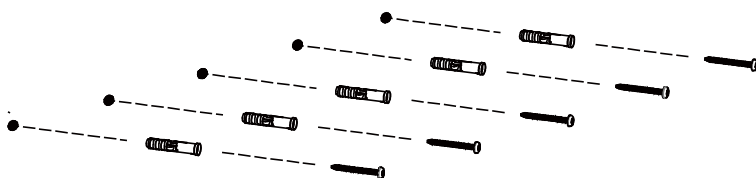
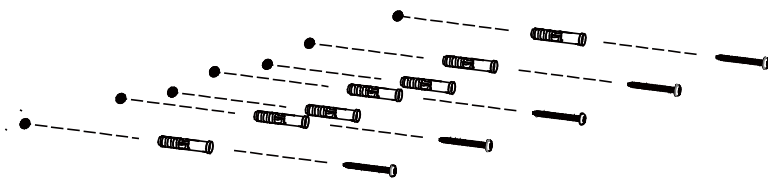
Insert a spacer between wall and screw, tighten screw



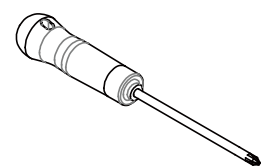
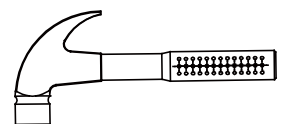
Remove spacer



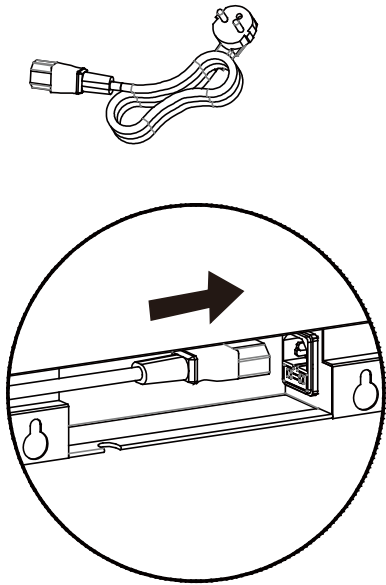
Anchors that are not fully set in solid concrete will not support the applied load resulting in an unstable, unsafe condition which could lead to personal injury and /or property damage. Consult a construction professional if you have any doubt about what this means in regard to your particular situation.



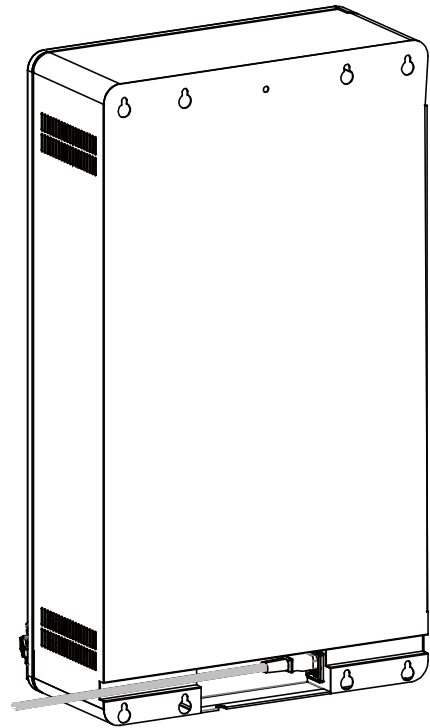
spacer



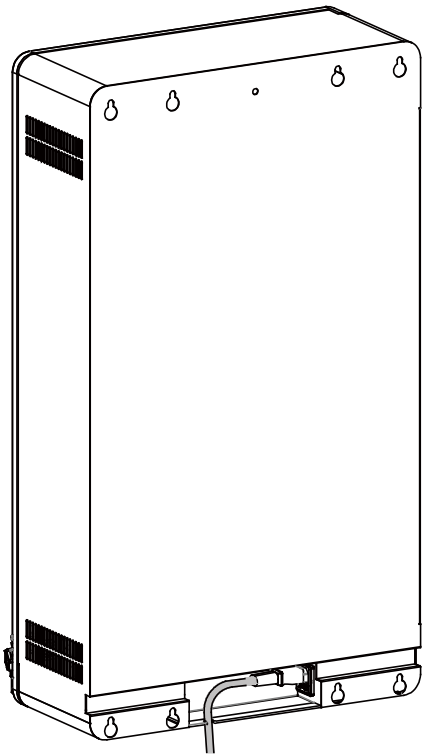
# 4 Plug power cable into power inlet



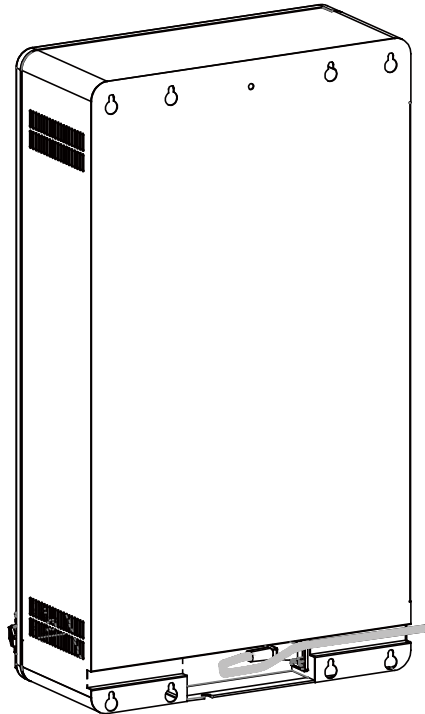
Note: Option of way of leading through power cable depends on the location of wall socket.



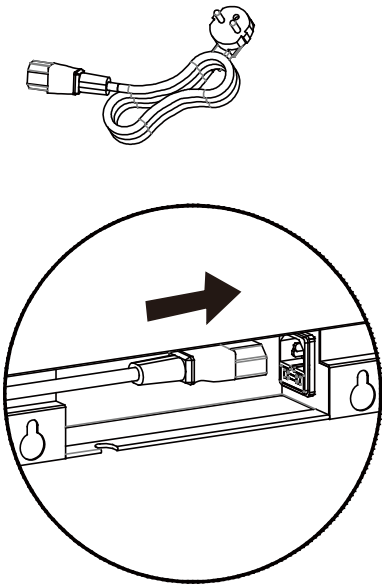
Option 1



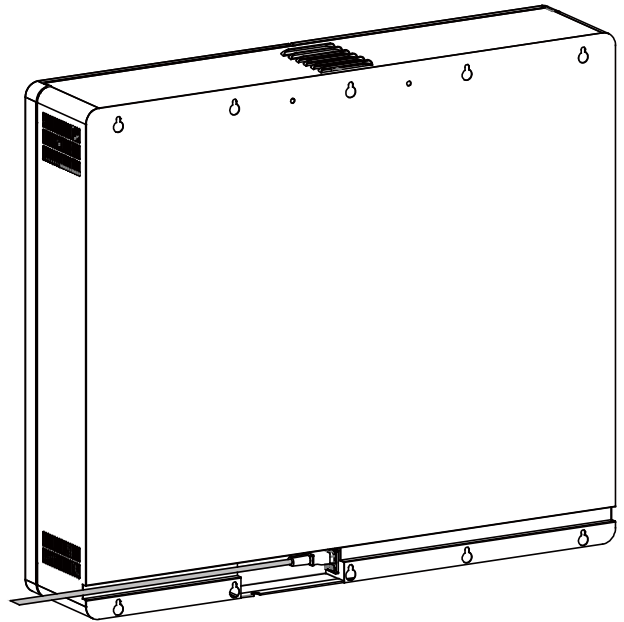
Option 2



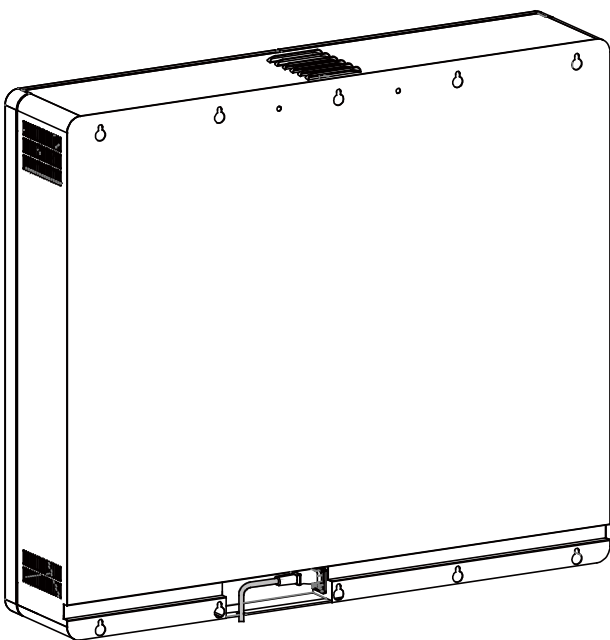
Option 3



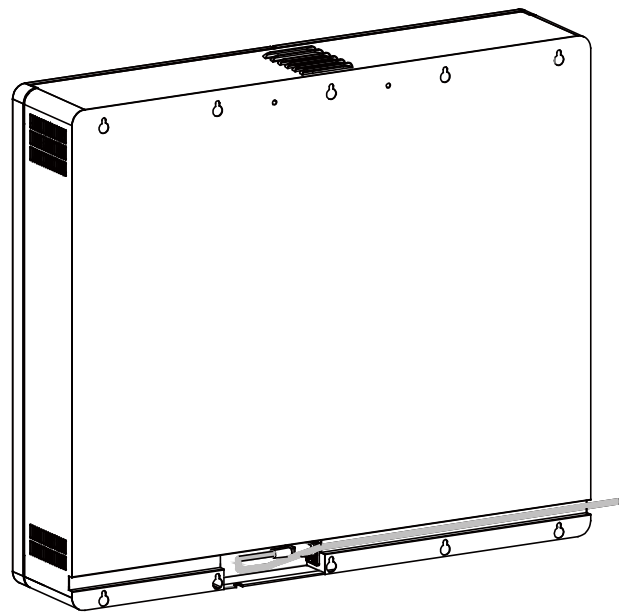
Note: Option of way of leading through power cable depends on the location of wall socket.



Option 1



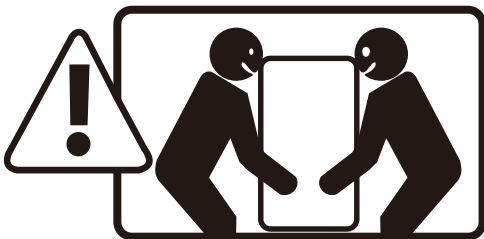
Option 2



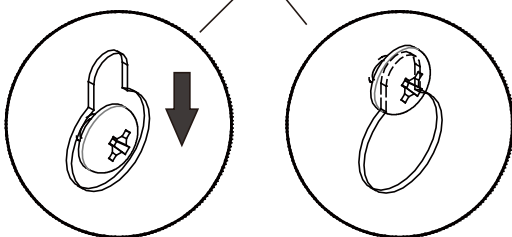
Option 3



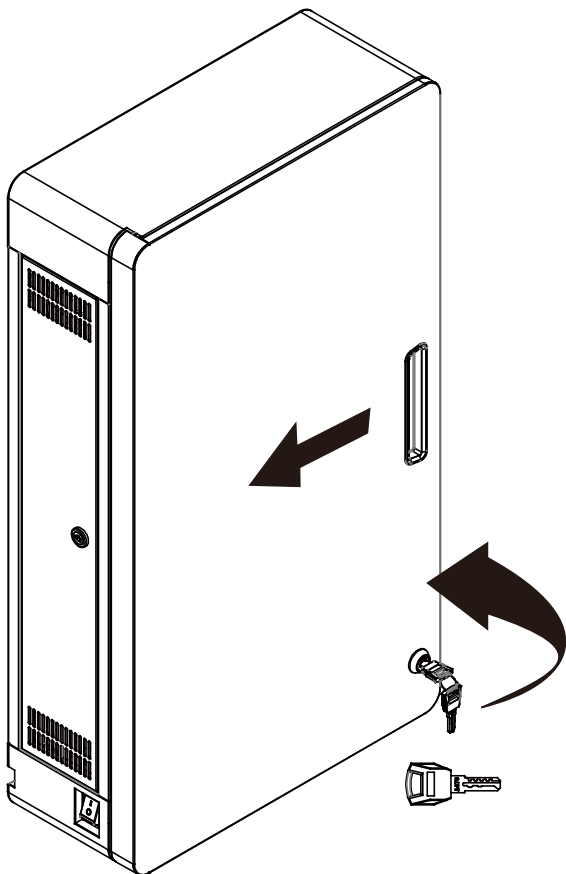
# 5 Hang wall cabinet onto screws.



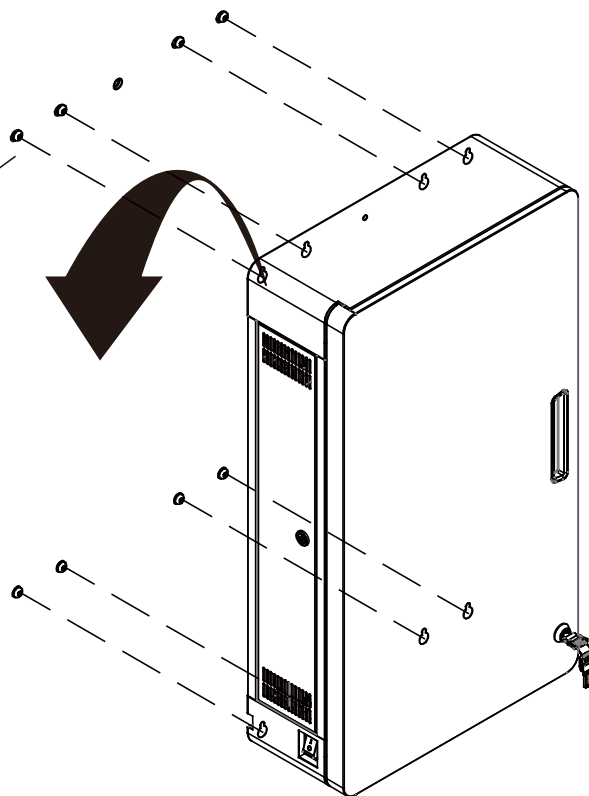
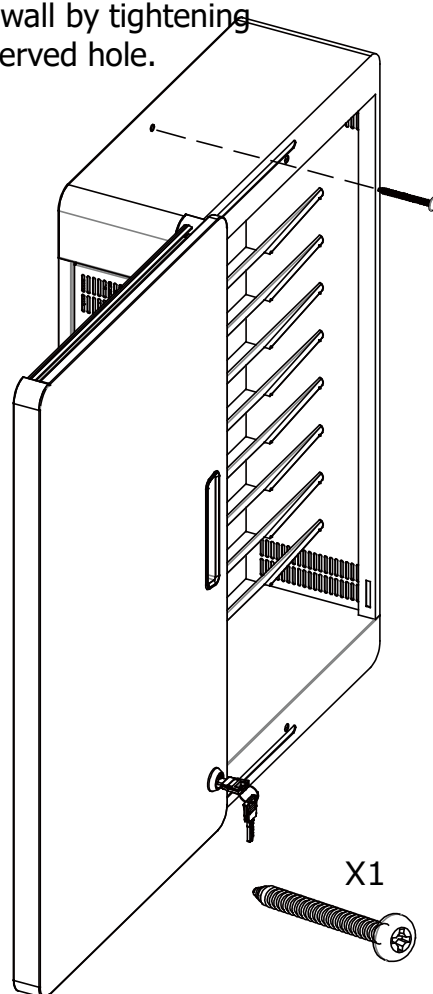
**Warning:** 2 people are required to lift this product.

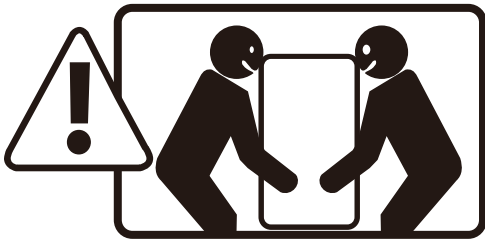


Unlock door by turning key, Push door to the left to open.

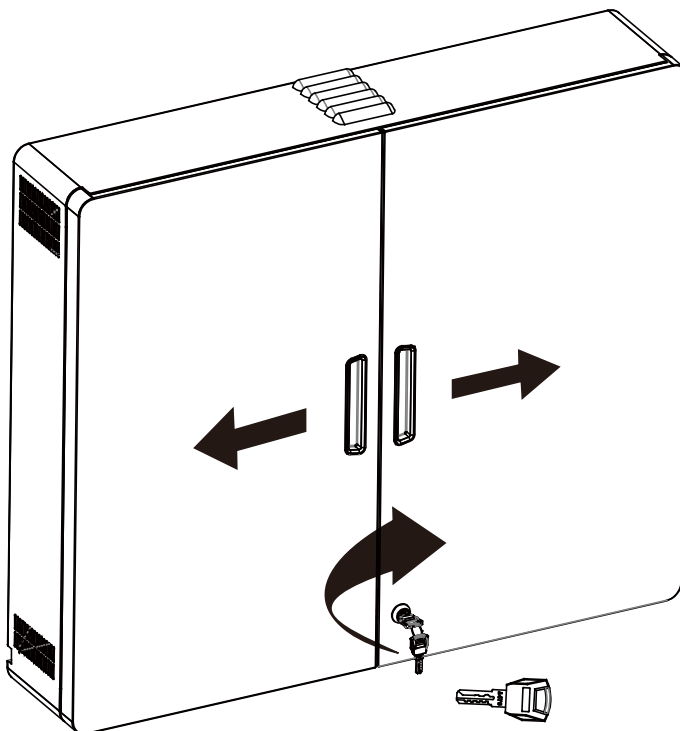
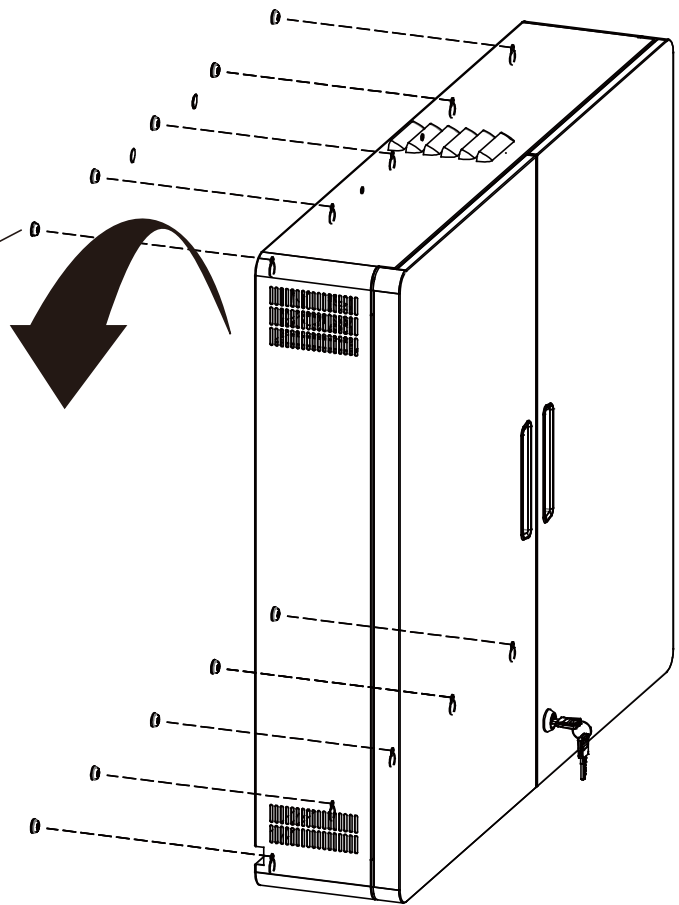
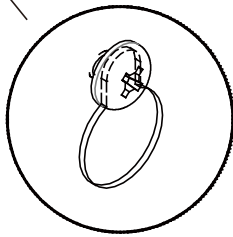
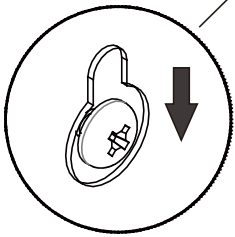


Secure cabinet to wall by tightening screw through reserved hole.

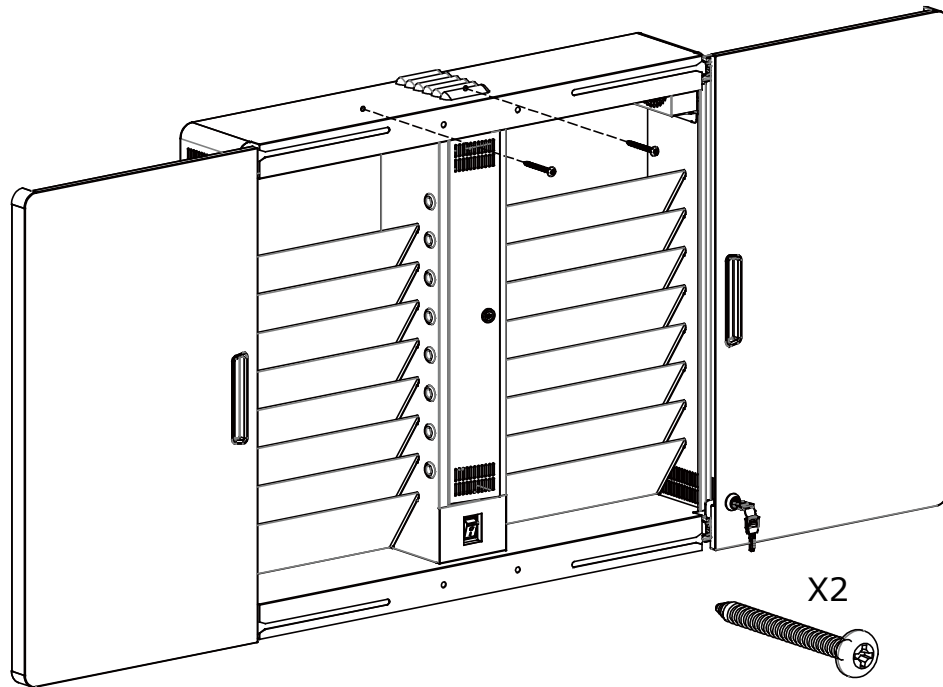




**Warning:** 2 people are required to lift this product.

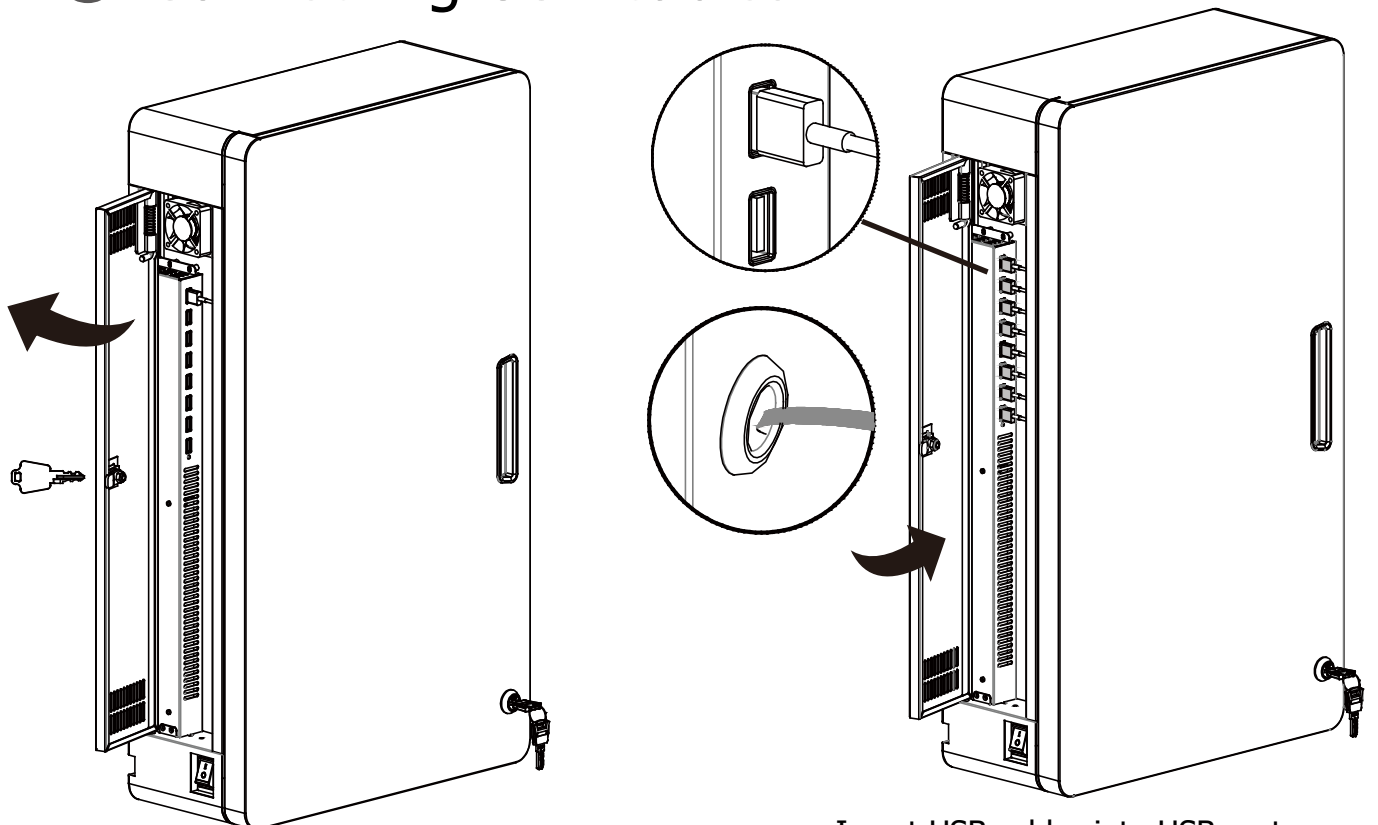


Unlock doors by turning the key, push the doors in arrow pointed directions to open.



**Secure cabinet to wall by tightening 2 screws through the reserved 2 holes.**

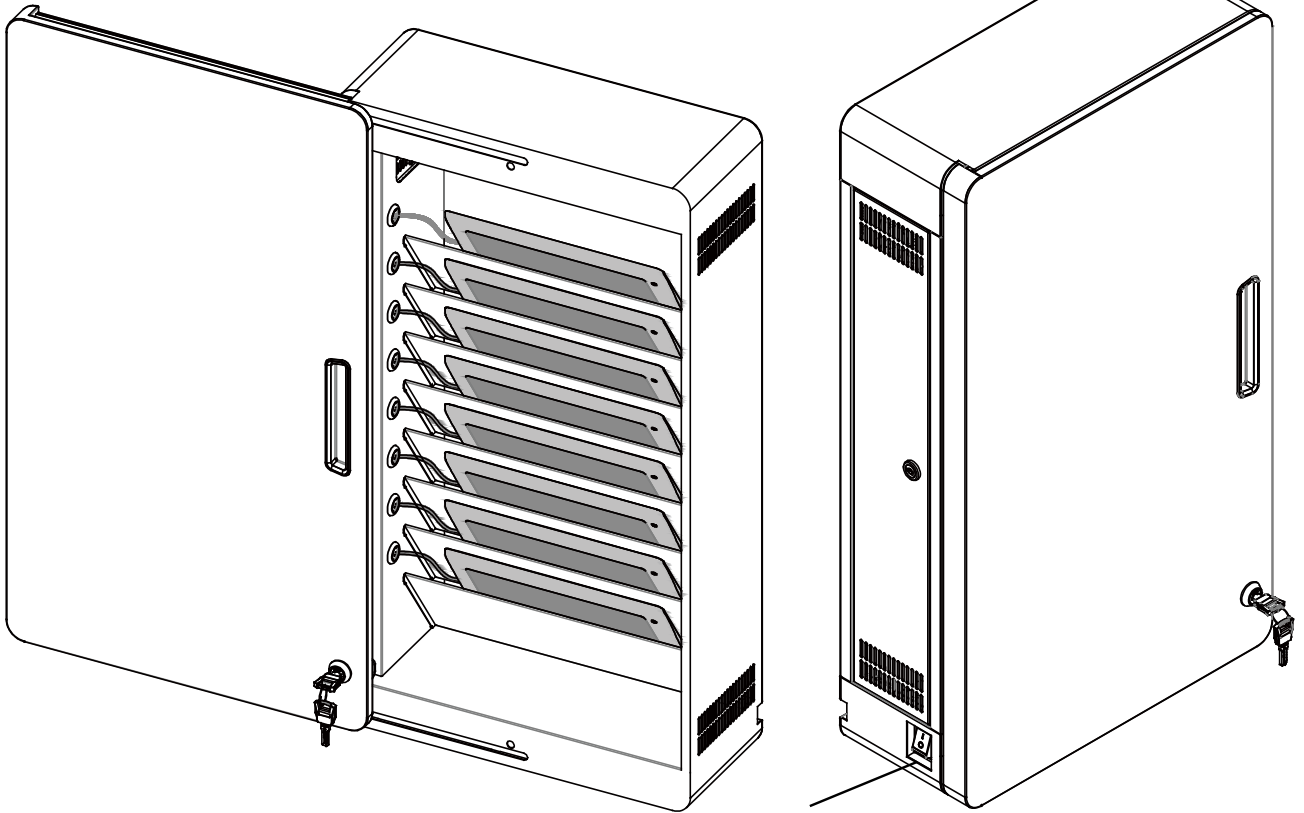
## 6 Connecting USB cables



**Use the key to open the side-door**

**Insert USB cables into USB ports, route cables through access holes.**

## 8 ports cabinet

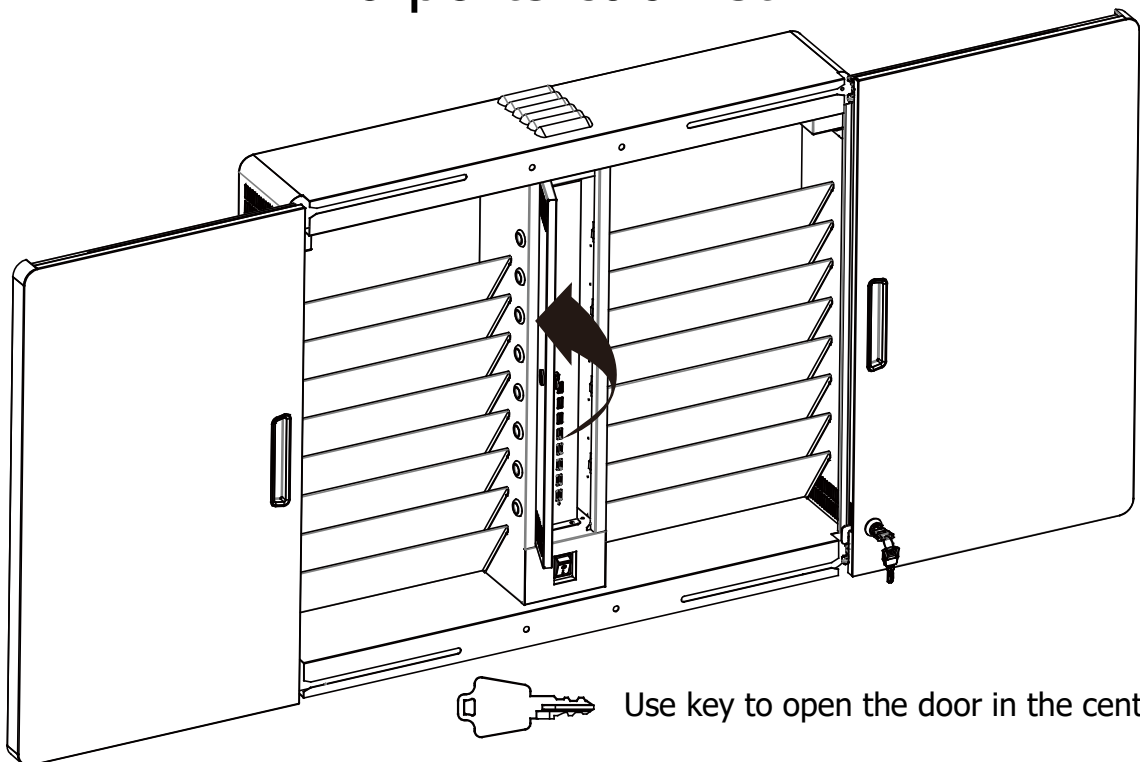


POWER SWITCH

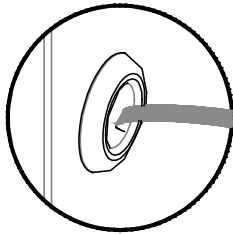
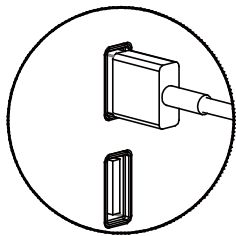
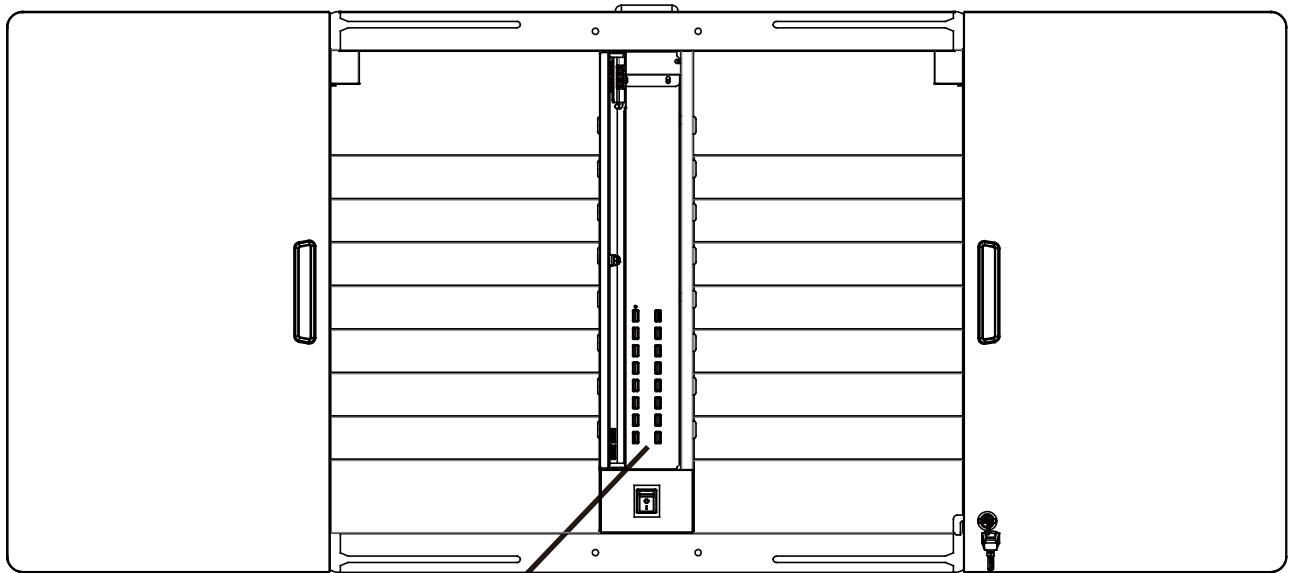
Plug cables into tablets

Turn on power switch

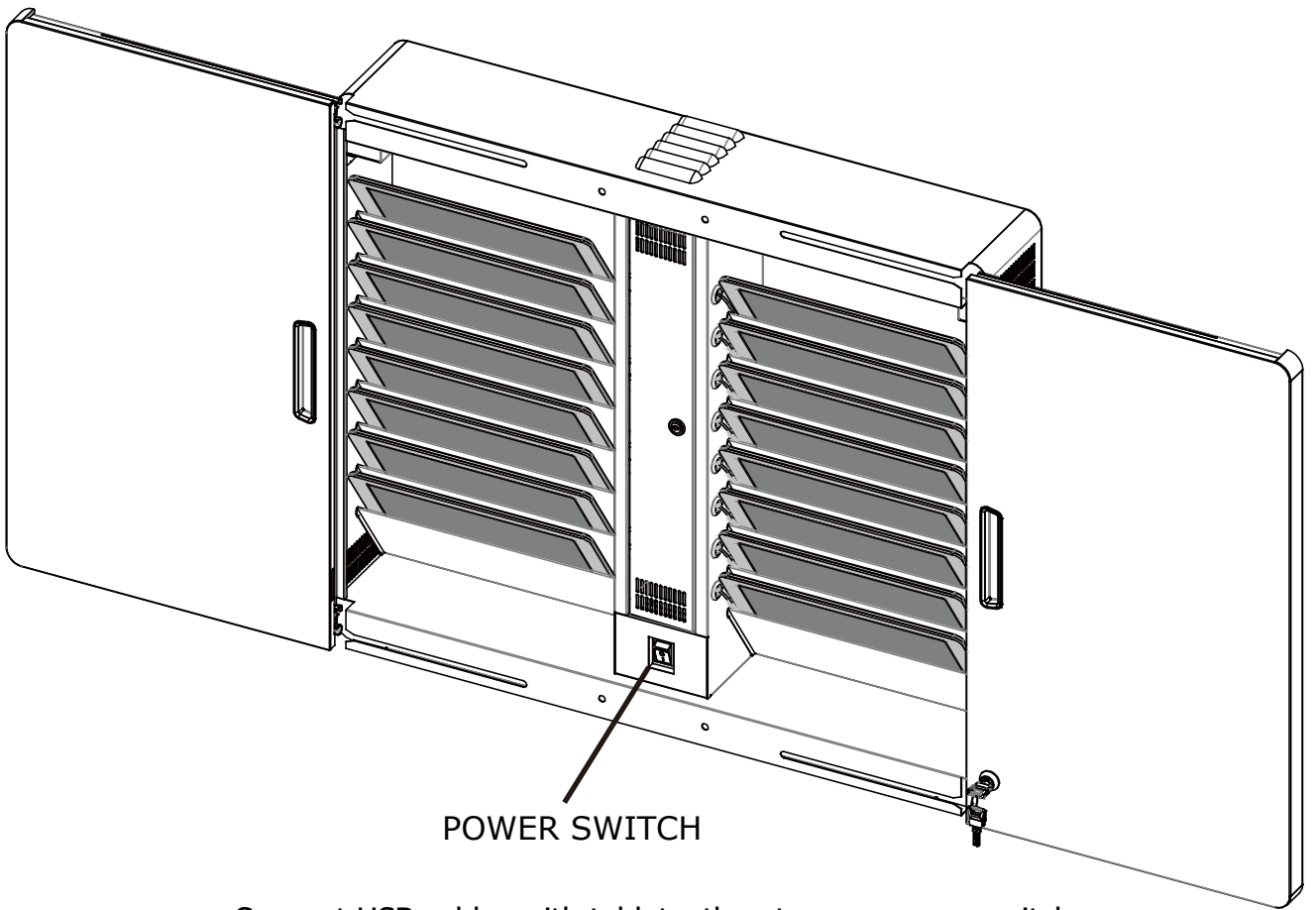
## 16 ports cabinet



Use key to open the door in the center.



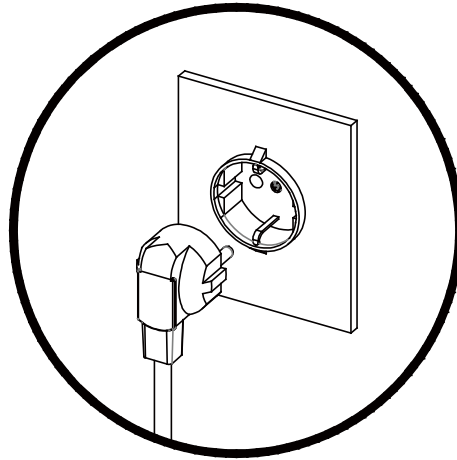
Insert USB cables into USB ports, then route cables through access holes.



POWER SWITCH

Connect USB cables with tablets, then turn on power switch

# 7 Tablet charging



Plug power cable into wall socket to start charging.

## 8 Specifications

### Dimensions

PW01A-08U 15.75"W\*27.95"H\*6.46"D  
(400\*710\*164mm)

PW01A-16U 32.28"W\*27.95"H\*6.46"D  
(820Wx710x164mm)

### Weight

PW01A-08U (15Kg)

PW01A-16U (30Kg)

### Rated weight capacity

PW01A-08U ≤ 29.54 lbs.(13.4kg)

PW01A-16U ≤ 59.08 lbs.(26.8kg)

### Max. tablet size

Up to H ≤ 8.6"(220mm)

L ≤ 12"(305mm)

D ≤ 1"(25.4mm)

### Cooling/ventilation

One continuous operation fan for PW01A-08U.

One continuous operation fan and two temp controlled fan for PW01A-16U.

### Shipping dimensions

PW01A-08U 32.3"L\*20.5"H\*10.6"D  
(82x52x27cm)

PW01A-16U 36.2"L\*32.3"H\*10.6"D  
(92x82x27cm)

### Power system

PW01A-08U

Input :100-240V ~ 50/60Hz 2A

Output: 5V DC 2.4A per port

PW01A-16U

Input :100-240V ~ 50/60Hz 4A

Output: 5V DC 2.4A per port

### Environmental

Temperature range:

Operation: 0°C -30°C

Storage: -20°C -60°C

Relative humidity (max)

Operation: 10%-90% (non condensing)

Storage: 5%-95% (non condensing)

Altitude(Max): 2000m (6562 ft)

### Compatibility

Tablets

### Shipping Weight

PW01A-08U (15Kg)

PW01A-16U (30Kg)

# Cleaning and Maintenance

## Equipment Electric Safety

There are specific risks associated with the use of equipment having power cables. You must be aware of, and avoid these risks when this product is located in close proximity to children.



**Warning:** Failure to observe the following electrical safety notices can result in fire or death by electric shock.



### Electrical cables can be hazardous. Misuse can result in fire or death by electrical shock.

- Double pole / Neutral fusing
- Inspect power cables thoroughly before each use.
- Do not use cables that are damaged.
- Insert the plug completely into the outlet.
- Grasp the plug to remove from the outlet.
- Do not unplug by pulling on the cable.
- Do not use excessive force to make connections.
- Do not plug the cable into an extension cable.
- Do not remove, bend or modify any metal prongs or pins of cable.
- Do not drive, drag or place objects over the cable.
- Do not walk on the cable.
- Avoid overheating. Uncoil the cable and do not cover it with any material.
- Do not run cable through doorways, holes in ceilings, walls or floors.



### Keep this product away from water.

- Do not use when wet.
- Do not place this product in close proximity to flammable liquids or gases.



This product is intended for use only with loading as indicated. Use with loads greater than indicated may result in instability causing possible injury.



The power cord acts as the connect/disconnect device switching power on and off. The socket outlet shall be installed near the equipment and shall be easily accessible.



**Caution:** Changes or modifications not expressly approved by IVOL could void the user's authority to operate the equipment.

## Use Safety

There are specific risks associated with the use of this product (for charging or storage). You must be aware of, and avoid these risks when this product is located in close proximity to children.



**Warning:** Failure to observe the following use safety notices may result in serious personal injury or equipment damage.



### Only adults should use this product.

- Do not allow anyone to climb or hang on this product.
- Do not block the fans and vent openings. To prevent overheating, leave at least 102mm (4-inch) clearance around fans and vents.
- This product is designed to be used indoors only.
- Do not use this product to store equipment other than what has been noted in this guide.
- Do not use this product to store liquids or cleaning supplies.
- Do not place heavy objects on this product.
- The maximum weight capacity of 8 ports cabinet is 29.54 lbs (13.4kg)
- The maximum weight capacity of 16 ports cabinet is 59.08 lbs (26.8kg)