



# UniversalGardenTidy | UniversalGardenTidy 2300 | UniversalGardenTidy 3000

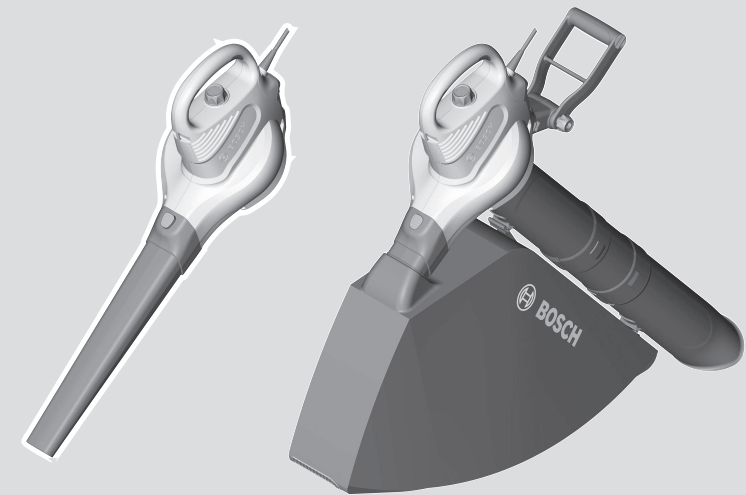
Robert Bosch Power Tools GmbH  
70538 Stuttgart  
GERMANY

[www.bosch-pt.com](http://www.bosch-pt.com)

F 016 L94 043 (2020.09) 0 / 52



F 016 L94 043



- en Original instructions
- ar دليل التشغيل الأصلي
- fa دفترچه راهنمای اصلی



English .....	Page	3
عربي .....	الصفحة	12
فارسی .....	صفحه	21

CE .....

## English

### Safety Notes

**Warning! Read all safety warnings and all instructions. Make yourself familiar with the controls and the proper use of the product. Please keep the instructions safe for later use!**

### Explanation of symbols on the product



General hazard safety alert.



Read instruction manual.



Make sure that bystanders are not injured by foreign objects being thrown away.



Warning: Keep a safe distance to the product when operating.



Rotating fan. Keep hands, feet, long hair or loose clothes out of the openings while the product is running.



Keep hands, feet or loose clothes out of the the openings while the product is running.



Make sure that bystanders are not injured through foreign objects thrown from the product. Keep bystanders a safe distance away from the product.



Wear eye and ear protection.



Do not use the product in the rain or leave it outdoors when it is raining.



Switch off and remove mains plug from socket outlet before adjusting, cleaning, maintenance or if the cable is entangled or if the cable is cut or damaged and before leaving the product unattended for any period.



Wait until all product components have completely stopped before touching them. The fan continues to rotate after the product is switched off and can cause injury.



Operate the product only in the position intended for the operating mode. This product is not designed to be held inverted during vacuum mode.

### Operation

- ▶ Never allow children or people unfamiliar with these instructions to use the product. Local regulations may restrict the age of the operator. When not in use store the product out of reach of children.
- ▶ This product is not intended for use by persons (including children) with reduced physical, sensory or mental capabilities, or lack of experience and knowledge, unless they have been given supervision or instruction concerning use of the appliance by a

- person responsible for their safety. Children should be supervised to ensure that they do not play with the product.
- ▶ Never operate the product while people, especially children or pets, are nearby.
  - ▶ The user is responsible for accidents or hazards occurring to other people or their property.
  - ▶ Other persons and animals should remain at a distance of 3 metres or more when the product is being used. The operator is responsible for third persons in the working area.
  - ▶ Use the product only in daylight or good artificial light.
  - ▶ Never operate the product when you are tired, ill or under the influence of alcohol, drugs or medicine.
  - ▶ Avoid operating the product in bad weather conditions especially when there is a risk of lightning.
  - ▶ Always wear substantial clothing on the upper body and limbs when operating this product.
  - ▶ Do not use open toe rubber shoes or sandals when using this machine. Always wear sturdy shoes and long trousers (see figures **C** and **L**).
  - ▶ Failure to keep loose clothing from being drawn into air intake could result in personal injury.
  - ▶ Failure to keep long hair tied back and away from the air inlet could result in personal injury.
  - ▶ Operate the product only with the nozzle and/or vacuum tube mounted.
  - ▶ Thoroughly inspect the area where the product is to be used and remove all wires and other foreign objects.
  - ▶ Check cable for damage before starting work and replace if necessary. Keep cable away from heat, oil and sharp edges.
  - ▶ Always direct the cable to the rear away from the product.
  - ▶ Never operate the product with defective guards or shields, or without safety devices, for example collection bag in place.
  - ▶ Always ensure all handles and guards supplied are fitted when using the product. Never attempt to use an incomplete product or one fitted with an unauthorized modification.
  - ▶ While operating the product always be sure of a safe and secure operating position at all times.
  - ▶ Always be aware of your surroundings and stay alert for possible hazards that you may not hear whilst operating the leaf blower/garden vacuum.
  - ▶ Do not over reach and keep your balance at all times.
  - ▶ Always be sure of your footing on slopes.
  - ▶ Walk, never run.
  - ▶ Keep all cooling air inlets clear of debris.

- ▶ Never blow debris in the direction of bystanders.
- ▶ Do not carry the product by the cable.
- ▶ The wearing of a face mask is recommended.
- ▶ Wait until all product components have completely stopped before touching them. The fan continues to rotate after the product is switched off and can cause injury.

▶ **Do not modify the product.** Unauthorized modifications may impair the safety of your product and may result in increased noise and vibration.

▶ When in vacuum mode, objects other than leaves and garden waste, as stipulated in the Intended Use, could be collected.

Do not vacuum solid objects such as big branches, broken glass, pieces of metal and stones.

▶ A worn fan or blower housing (chips, cracks, nicks) may cause an increased risk of injury from thrown foreign objects. If the fan or blower housing are damaged, consult the Bosch hotline.

▶ In rare cases (e.g. prolonged use in hot, dry conditions) a blower vacuum can generate an electrostatic charge, that may be felt on contact with the product.

- Before checking, clearing a blockage or working on the product
- After a collision with a foreign object. Inspect the product for damage and make repairs as necessary
- If the product starts to vibrate abnormally (check immediately)

### Connecting to the mains

- ▶ The voltage of the power source must correspond with the data on the type plate of the product.
- ▶ We recommend that this product is only connected into a socket which is protected by a circuit-breaker that would be actuated by a 30 mA residual current.
- ▶ Only use or replace power supply cables for this product which correspond to the types indicated by the manufacturer. Contact the Service Centre to do this.
- ▶ Never touch the mains plug with wet hands.
- ▶ Do not run over, crush or pull the power supply cord or extension cord, otherwise it may be damaged. Protect the cable from heat, oil and sharp edges.
- ▶ The extension lead must have a cross section in accordance with the operating instructions and be protected against splashed water. The connection must not be in water.

### Remove the plug from the socket:

- Whenever you leave the product

## Electrical Safety



**Warning! Switch the product off and pull the mains plug before any maintenance or cleaning. The same applies when the mains cable is damaged, cut or entangled.**

- ▶ **Motor Protector fitted! Motor fitted with safety overload protection. If motor stops working, allow a few minutes to cool, before re-starting.**
- ▶ **If a cord becomes damaged during use, disconnect the supply cord from the mains immediately. DO NOT TOUCH THE CORD BEFORE DISCONNECTING THE SUPPLY.**

Your product is double insulated for safety and requires no earth connection. The operating voltage is 230 V AC, 50 Hz (for non-EU countries 220 V, 240 V as applicable). Contact your Bosch Service Centre for details. If in doubt contact a qualified electrician or the nearest Bosch Service Centre.

For increased electrical safety use a Residual Current Device (RCD) with a tripping current of not more than 30 mA. Always check your RCD every time you use it.

Keep the supply cables away from moving hazardous parts and avoid damage to the cables; this can lead to contact with live parts.

The connections (plugs and sockets) should be kept dry and off the ground.

The supply cables must be inspected for signs of damage at regular intervals and may only be used if in perfect condition.

If the supply cable on the product is damaged, it must only be replaced by a Bosch Service Centre. Only use approved extension cables.

Use only extension cords, cables, leads and cable reels that comply with EN 61242/IEC 61242 or IEC 60884-2-7 and are of type H05VV-F or H05RN-F.

If you want to use an extension cable when operating your product, only the following cable dimensions should be used:

- Nominal conductor area of 1.25 mm<sup>2</sup> or 1.5 mm<sup>2</sup>
- Maximum length 30 m for a Cord Extension Set or maximum length of 60 m for a Cable Reel with Residual Current Device (RCD).

Note: If an extension cable is used it must be earthed and connected through the plug to the earth cable of your supply network in accordance with prescribed safety regulations.

If in doubt contact a qualified electrician or the nearest Bosch Service Centre.



**WARNING! Inadequate extension cables can be dangerous. Extension cable, plug and socket must be of water-tight construction and intended for outdoor use.**

For products **not sold in GB:**

**WARNING:** For your safety, it is required that the plug attached to the product is connected with the extension cord. The coupling of the extension cord must be protected against splash water, be made of rubber or coated with rubber. The extension cord must be used with a cable strain relief.











► **Products sold in GB only:**

- Your product is fitted with an BS 1363/A approved electric plug with internal fuse (ASTA approved to BS 1362).
- If the plug is not suitable for your socket outlets, it should be cut off and an appropriate plug fitted in its place by an authorised customer service agent. The replacement plug should have the same fuse rating as the original plug.
- The severed plug must be disposed of to avoid a possible shock hazard and should never be inserted into a mains socket elsewhere.

- **Products that are only sold in AUS and NZ:** Use a residual current device (RCD) with a nominal residual current of 30 mA or less.

## Symbols

The following symbols are important for reading and understanding the original instructions. Please take note of the symbols and their meaning. The correct interpretation of the symbols will help you to use the product in a better and safer manner.

Symbol	Meaning
	Blow Mode
	Vacuum Mode
	Movement direction
	Reaction direction
	Switching On
	Switching Off
	Permitted action
	Prohibited action
	Wear protective gloves
	Only operate the product with mounted vacuum tube.

## Intended Use

The product is intended for domestic use, for blowing and collecting leaves and garden waste at ground level such as grass clippings in the area around the garden and house.

The product is **not intended for use as a shredder**.

It can be dangerous to operate any product in a manner other than as specifically intended. Misuse can result in personal injury.

## Product Features (see figure A)

The numbering of the product features refers to the illustration of the product on the graphics pages.

- (1) On/Off switch with controller for airflow speed
- (2) Motor unit
- (3) Fastening screw for safety cover or vacuum tube
- (4) Safety cover (blow mode)
- (5) Handle on vacuum tube (vacuum mode)
- (6) Screw for handle adjustment
- (7) Vacuum tube (vacuum mode)
- (8) Hook for shoulder strap
- (9) Shoulder strap
- (10) Collection bag (vacuum mode)

- (11) Button for unlocking nozzle or collection bag  
 (12) Nozzle (blow mode)

- (13) Loop for shoulder strap hooks

## Technical Data

Leaf blower/Garden Vacuum Cleaner		UniversalGardenTidy	UniversalGardenTidy 2300	UniversalGardenTidy 3000
Article number		<b>3 600 HB1 000</b> <b>3 600 HB1 030</b> <b>3 600 HB1 070</b>	<b>3 600 HB1 002</b> <b>3 600 HB1 032</b> <b>3 600 HB1 072</b>	<b>3 600 HB1 001</b> <b>3 600 HB1 041</b> <b>3 600 HB1 071</b>
Rated power input	W	1800	1600 – 2300	1600 – 3000
Airflow speed, max.	km/h	165 – 285	165 – 285	165 – 285
Volume flow rate, max.	l/s	160	160	160
Shredding ratio		12:1	12:1	12:1
Collection bag capacity	l	45	45	50
Weight (blow mode)	kg	3.4	3.4	3.4
Weight (vacuum mode)	kg	4.7	4.7	4.7
Protection class		□/II	□/II	□/II
Serial number		see type plate on product		

The specifications apply to a rated voltage [U] of 230 V. These specifications may vary at different voltages and in country-specific models.

## Noise/Vibration Information

		Vacuum Mode	Blow Mode
Noise emission values determined according to <b>EN 50636-2-100</b> .			
Typically the A-weighted noise levels of the product are:			
– Sound pressure level	dB(A)	<b>86</b>	<b>83</b>
– Sound power level	dB(A)	<b>98</b>	<b>96</b>
– Uncertainty K	dB	<b>= 2.5</b>	<b>= 2.5</b>
Vibration total values $a_{\text{h}}$ (triaux vector sum) and uncertainty K determined according to <b>EN 50636-2-100</b>			
– Vibration emission value $a_{\text{h}}$	$\text{m/s}^2$	<b>&lt; 2.5</b>	<b>&lt; 2.5</b>
– Uncertainty K	$\text{m/s}^2$	<b>= 1.5</b>	<b>= 1.5</b>

## Blow Mode

### Assembly (see figure B)

- **Before any work on the product, disconnect supply cord from the mains.**

Slide the nozzle (12) onto the motor unit. Take care not to pinch your fingers during assembly.

Mount the safety cover (4) onto the motor unit. For this, place the safety cover (4) into the hinge on the motor unit. Position the safety cover (4) against the motor unit and screw in fastening screw (3) until fully tight and clicks are heard to secure the safety cover.

### Operating (see figures C and D)

Make sure that the cable is not in your way while working. To **switch on**, turn the On/Off switch (1) clockwise until it clicks.

The airflow speed is variable. To increase the airflow speed, turn the On/Off switch (1) clockwise.

To reduce the speed, turn the On/Off switch (1) anticlockwise.

To **switch off**, turn the On/Off switch (1) anticlockwise until it clicks.

Set the On/Off switch (1) of the product to "0" before disconnecting the mains voltage or pulling the mains plug.

### Disassembling (see figure E)

- **Before any work on the product, disconnect supply cord from the mains.**

Press button (11) in and remove the nozzle (12).

Loosen the fastening screw (3). Remove the safety cover (4) and store it securely.

## Vacuum Mode

### Assembling (see figures F and G)

- **Before any work on the product, disconnect supply cord from the mains.**

Connect the three parts of the vacuum tube (7). Take care not to pinch your fingers during assembly.

Mount the vacuum tube (7) onto the motor unit. Insert the vacuum tube (7) into the hinge on the motor unit. Raise the vacuum tube (7) to align the fastening screw with main housing, and screw in the fastening screw (3) until fully tight and clicks are heard to secure the vacuum tube.

Mount the collection bag (10) to the motor unit and attach the bag clips to the hooks on the vacuum tube. Take care not to pinch your fingers during assembly.

### Mounting the shoulder strap (see figure H)

Fasten the shoulder strap (9) with both hooks (8) to the shoulder strap loops (13). Adjust the shoulder strap (9) so that it comfortably carries the weight of the product and can be guided easily.

### Mounting and Adjusting the handle (see figures I and J)

To attach the handle, place the handle (5) over the holders on the tube, then insert the screw (6) through the handle and tighten.

To adjust the angle, loosen the screw (6), move the handle (5) up or down to the desired working position and then tighten the screw (6) again.

### Operating (see figures K, L and M)

Beware of trip hazards such as the supply cable or unattended product. Make sure that the cable is not in your way while working. Fasten the cable in the cable holder on the side of the auxiliary handle. (see figure K)

To **switch on**, turn the On/Off switch (1) clockwise until it clicks.

The airflow speed is variable. To increase the airflow speed, turn the On/Off switch (1) clockwise.

To reduce the speed, turn the On/Off switch (1) anticlockwise.

Direct the vacuum tube towards the debris that you want to collect. If no debris is collected/moved, increase the airflow speed.

To **switch off**, turn the On/Off switch (1) anticlockwise until it clicks.

Set the On/Off switch (1) of the product to "0" before disconnecting the mains voltage or pulling the mains plug.

### Disassembling (see figures N and O)

- **Before carrying out any work on the product, disconnect supply cord from the mains.**

To empty the collection bag (10), press button (11) and remove the collection bag (10). Remove the clips from the vacuum tube (7). Open the zip and empty the collection bag (10) as required.

To disassemble, press button (11) and remove the collection bag (10). Remove the clips from the vacuum tube (7). Take care not to pinch your fingers during disassembly.

Loosen the fastening screw (3). Remove the vacuum tube (7) and store it securely.

## Working Advice

When operating, always point the nozzle/vacuum tube towards the ground.

Do not blow hot, flammable or explosive material.

The product is only suitable for foliage and garden waste.

Please inspect the area for little animals and hard objects before using the product.

Do not vacuum liquids, plastic bags, cans, pine cones, branches larger than 5 mm ( $\varnothing > 5$  mm), cloth, tissues and pegs.

The motor will only start, if the following parts are assembled correctly:

- **vacuum tube and collection bag in vacuum mode**
- **nozzle and safety cover in blow mode**

## Troubleshooting



Problem	Possible Cause	Corrective Measure
Product does not run	Components not assembled correctly, safety interlock activated	See "assembly". Check that the tube and the safety cover (Blow Mode) or the tube and the collection bag (Vacuum Mode) are fully assembled, clicks are heard.
	Power turned off	Turn power on.
	Mains socket faulty	Use another socket.
	Extension cable damaged	Inspect cable, replace if damaged.

Problem	Possible Cause	Corrective Measure
	Fuse faulty / blown	Replace fuse.
	Motor protector has activated	Allow motor to cool down and check that fan is not blocked.
Product runs intermittently	Extension cable damaged	Inspect cable, replace if damaged.
	Internal wiring of product defective	Contact Service Agent.
	On/Off switch defective	Contact Service Agent.
	Motor protector has activated	Allow motor to cool down and check that fan is not blocked.
Excessive vibrations/ noise	Product defective or blocked	Check the fan area for debris and clean if necessary. Contact Service agent if no difference identified.
Product does not blow/vacuum	Tube obstructed	Clear tube.
Tube cannot be mounted on the product	Incorrect assembly	See "assembly".
Vacuuming speed slows down	Collection bag full	Empty collection bag.
	Bag inlet connector obstructed	Clear out bag inlet connector. Check fan area for debris and clean if necessary.
	Fan/volute blocked with debris.	Clean fan and volute. See "maintenance".
Whistling sound in the vacuum tube	Fan/volute blocked with debris.	Clean fan and volute. See "maintenance".
Machine does not blow	Fan obstructed	Switch off product, pull mains plug and clear out obstruction as necessary (wear gloves).
Variable speed not working	Component fault	Contact Service Agent.

## Maintenance and Service

### Maintenance, cleaning and Storage (see figures P and Q)

- ▶ **Before any work on the product, disconnect supply cord from the mains.**
- ▶ **For safe and proper working, always keep the product clean.**

For optimum use, clean the fan and the area around the fan after each use.

To ensure safe and efficient operation, always keep the product and the ventilation slots clean.

Remove dirt on the product or the collection bag with a moist cloth or stiff brush.

Never spray the product with water.

Never immerse the product in water.

Store the product in a secure, dry place, out of the reach of children.

Do not place other objects on the product.

Keep all nuts, bolts and screws tight to ensure safe working with the product.

Check the collection bag frequently for wear or deterioration.

Inspect the product and replace worn or damaged parts for safety.

Ensure replacement parts fitted are Bosch-approved.

### After-Sales Service and Application Service

Our after-sales service responds to your questions concerning maintenance and repair of your product as well as spare parts. You can find explosion drawings and information on spare parts at: [www.bosch-pt.com](http://www.bosch-pt.com)

The Bosch product use advice team will be happy to help you with any questions about our products and their accessories.

In all correspondence and spare parts orders, please always include the 10-digit article number given on the nameplate of the product.

#### Great Britain

Robert Bosch Ltd. (B.S.C.)

P.O. Box 98

Broadwater Park

North Orbital Road

Denham Uxbridge

UB 9 5HJ

At [www.bosch-pt.co.uk](http://www.bosch-pt.co.uk) you can order spare parts or arrange the collection of a product in need of servicing or repair.

Tel. Service: (0344) 7360109

E-Mail: [boschservicecentre@bosch.com](mailto:boschservicecentre@bosch.com)

#### You can find further service addresses at:

[www.bosch-pt.com/serviceaddresses](http://www.bosch-pt.com/serviceaddresses)

## Disposal

The product, accessories and packaging should be sorted for environmental-friendly recycling.



Do not dispose of products into household waste!

### Only for EU countries:

According to the European Directive 2012/19/EU on Waste Electrical and Electronic Equipment and its implementation into national law, products that are no longer usable must be collected separately and disposed of in an environmentally friendly manner.

إبقاء الآخرين على بعد آمن عن الجهاز.

ارتدِ واقية سمع ونظارات واقية.



لا تستعمل الجهاز أثناء هطول الأمطار ولا تعرضه للمطر.



اطفئ الجهاز واسحب قابس الشبكة الكهربائية



من المقبس قبل إجراء أعمال الضبط أو التنظيف أو الصيانة، أو إن تشابك



أو انقطع أو تلف كابل الشبكة الكهربائية أو إن كنت سترك الجهاز دون مراقبة.

انتظر إلى أن تتوقف جميع أجزاء الجهاز عن الحركة بشكل كامل قبل أن



تلمسها. يتابع المنفاخ دورانه بعد الإطفاء وقد يؤدي إلى حدوث الإصابات.

استعمل الجهاز فقط بالوضع المخصص لنوع التشغيل المستخدم. لا



يصلح الجهاز للمسك به بشكل معاكس بأسلوب شطف أوراق الشجر.



## التشغيل

◀ لا تسمح للأطفال أو للأشخاص الغير مطلعين على هذه التعليمات أبدا أن يستعملوا جهاز الحديقة. يجوز أن تحد الأحكام الوطنية من سن المستخدم. احتفظ بجهاز الحديقة

## عربي

### ملاحظات الأمان

تنبيه! اقرأ التعليمات التالية بإمعان. تمرّس على استخدام عناصر الاستخدام وعلى الاستعمال المخصص للجهاز. يرجى الاحتفاظ بتعليمات التشغيل هذه بمكان آمن للرجوع إليها في المستقبل.

### شرح الرموز على الجهاز

ملاحظة خطر عامة.



اقرأ تعليمات التشغيل هذه.



احرص على عدم إصابة الأشخاص المتواجدين بالجوار بسبب الأجسام الخارجية المتطايرة.



تحذير: حافظ على مسافة آمنة تبعدك عن الجهاز عند التشغيل.



منفاخ دوار. لا تضع يديك أو قدميك أو الشعر الطويل أو الملابس الواسعة في الفتحات أثناء عمل الجهاز.



لا تضع يديك أو قدميك أو الملابس الواسعة في الفتحات أثناء عمل الجهاز.



احرص على عدم إصابة الأشخاص الموجودين على مقربة منك من خلال الأجسام الغريبة المنفوخة من الجهاز. احرص على



- ◀ لا تعمل بواسطة الجهاز عندما تكون ظروف الطقس رديئة ولاسيما عند بدء العواصف.
- ◀ ارتد دائما ثياب متينة بجسمك العلوي وذراعيك عندما تستخدم هذا الجهاز.
- ◀ لا ترتد أحذية مطاطية مفتوحة أو صنادل عندما تستخدم الجهاز. ارتد أحذية متينة وبنطال طويل دائما (راجع الصورتين C و L).
- ◀ احرص على عدم إمكانية شطف الثياب الفضفاضة إلى داخل الامداد بالهواء، إذ قد يؤدي ذلك إلى الإصابات.
- ◀ في حالة الشعر الطويل احرص على ربطه خلف الرأس اتجنب إمكانية شطفه إلى داخل مصدر الهواء، إذ قد يؤدي ذلك إلى الإصابات.
- ◀ شغل الجهاز فقط مع المنفث أو انبوب الشفط المركبين.
- ◀ افحص السطح المرغوب معالجته بدقة وأبعد جميع الأسلاك وغيرها من الأجسام الغريبة.
- ◀ افحص خط الوصل/كبل التمديد قبل كل استعمال عما إن كان تالفا واستبدله إن تطلب الأمر ذلك. احم خط الوصل/كبل التمديد من الحرارة والزيت والحواف الحادة.
- ◀ وجه الكبل دائما نحو الخلف مبعدا إياه عن الجهاز.
- ◀ لا تستخدم الجهاز أبدا بلا تجهيزات الوقاية، الأغشية أو بلا تجهيزات الأمان، مثلا كيس الجمع.
- ◀ احرص على تركيب جميع المقابض وتجهيزات الأمان بعيدا عن تناول الأطفال عندما لا يتم استخدامه.
- ◀ لم يخصص هذا الجهاز للاستعمال من قبل الأشخاص (بما فيهم الأطفال) ذوي المقدرات الجسدية أو الحسية أو العقلية المحدودة أو القليلي الخبرة و/أو المعدومي المعرفة، إلا إذا تم مراقبتهم من قبل شخص مسؤول عن أمانهم أو إذا تم تزودهم بالمعلومات عن كيفية استخدام الجهاز من قبل هذا الشخص. ينبغي مراقبة الأطفال لضمان عدم لعبهم بالجهاز.
- ◀ لا تستخدم الجهاز أبدا أثناء تواجد الأشخاص الآخرين أو الأطفال أو الحيوانات على مقربة مباشرة منه.
- ◀ إن المستخدم أو المستعمل هو الذي يحمل مسؤولية الحادث أو الإصابات التي تصيب الأشخاص الآخرين أو ممتلكاتهم.
- ◀ لا يجوز أن يتواجد الأشخاص الآخرين أو الحيوانات ضمن مجال يبلغ 3 أمتار أثناء التشغيل. يتحمل المستخدم المسؤولية ضمن مجال العمل.
- ◀ استخدم الجهاز فقط أثناء ضوء النهار أو مع الإضاءة الاصطناعية الجيدة.
- ◀ لا تستخدم الجهاز إن كنت مرهقا أو مريضا أو إن كنت تحت تأثير الكحول أو المخدرات أو الأدوية.

تؤدي إلى زيادة الضجيج والاهتزازات.  
 ◀ بأسلوب الشفط يمكن شفط أغراض غير نفايات الأشجار والحديقة المخصصة لهذا النوع من التشغيل.  
 لا تشفط الأغراض الصلبة كالأغصان الكبيرة، شظايا الزجاج، القطع المعدنية والحجارة.  
 ◀ تزداد مخاطر التعرض للإصابات من خلال الأغراض الغريبة المقذوفة عند تلف المنفاخ أو الهيكل (الشظايا، الشقوق، الحزوز). اتصل بخطوط الاستشارة المباشرة بشركة بوش في حال وجود تلف بالمنفاخ أو الهيكل.  
 ◀ في حالات نادرة (مثلاً عند استعمال الجهاز لمدة طويلة في الظروف الحارة والجافة) قد يخلق فراغ المروحة شحنة كهروستاتيكية يمكن الشعور بها عند ملامسة الجهاز.

### اسحب قابس الشبكة الكهربائية من المقبس:

- دائماً عندما تبتعد عن الجهاز
- عندما تفحص الجهاز أو عندما تزيل الاستعصاء أو عندما تقوم ببعض الأعمال بالجهاز
- بعد الاصطدام بجسم خارجي.
- افحص الجهاز فوراً على توأجد التلف وإسمح بتصليحه إن تطلب الأمر ذلك
- إن بدأ الجهاز بالاهتزاز بشكل غريب (افحصه فوراً)

- المرفقة عند تشغيل الجهاز. لا تحاول أبداً أن تقوم بتشغيل جهاز لم يتم تركيبه بشكل كامل أو جهاز تم تعديله بطريقة غير مسموحة.
- ◀ احرص دائماً على الوقوف بثبات والمحافظة على التوازن عند تشغيل الجهاز.
- ◀ اعمل بوعي وترقب المخاطر المحتملة التي قد لا تسمعها أثناء العمل بواسطة منفاخ الأوراق/ شافطة الحديقة.
- ◀ تجنب الأوضاع الجسدية الغير طبيعية وحافظ دائماً على توازنك.
- ◀ احرص على الوقوف بثبات دائماً على السطوح المنحدرة.
- ◀ ينبغي المشي بهدوء دائماً، ولا يجوز السير بسرعة أبداً.
- ◀ حافظ على إبقاء جميع فتحات التهوية خالية من الأوساخ.
- ◀ لا تنفخ الأوساخ/أوراق الشجر أبداً إلى اتجاه الأشخاص الموجودين على مقربة منك.
- ◀ لا تحمل الجهاز من قبل الكبل الكهربائي.
- ◀ يُنصح بارتداء قناع لوقاية التنفس.
- ◀ انتظر إلى أن تتوقف جميع أجزاء الجهاز عن الحركة بشكل كامل قبل أن تلمسها. يتابع المنفاخ دورانه بعد الإطفاء وقد يؤدي إلى حدوث الإصابات.
- ◀ لا تقوم بتعديل الجهاز. إن التعديلات الغير مسموحة قد تؤثر سلباً على أمان الجهاز وقد

◀ **لقد تم تركيب وقاية للمحرك!**  
لقد تم تجهيز المحرك بوقاية  
من فرط التحميل. إن توقف  
المحرك، فاتركه ليبرد عدة  
دقائق قبل إعادة تشغيله.

◀ **اسحب قابس الشبكة**  
**الكهربائية من المقبس فوراً**  
**إن تم إتلاف الكبل أثناء**  
**العمل. لا تلمس الكبل التالف**  
**قبل أن تسحب قابس الشبكة**  
**الكهربائية.**

لسلامتك الشخصية تم عزل الجهاز  
وهو لا يحتاج إلى تأريض. يبلغ جهد  
التشغيل 230 فولت تيار متناوب،  
50 هرتز (لغير دول الاتحاد  
الأوروبي أيضاً 220 فولت أو  
240 فولت). استخدم كبلات  
التمديد المسموحة والمرخصة  
فقط. يعثر على المزيد من  
المعلومات لدى مركز الوكالة  
لخدمة الزبائن.

لزيادة الأمان استخدم مفتاح  
للوقاية من التيار المتخلف (RCD)  
مناسب لتيار متخلف حتى 30 ميلي  
أمبير كحد أقصى. ينبغي أن يُفحص  
مفتاح الوقاية هذا قبل كل  
استعمال.

حافظ على إبعاد كبل الشبكة  
الكهربائية وكبل التمديد عن  
الأجزاء المتحركة وتجنب أي تلف  
بالكبلات لكي تتجنب التلامس مع  
الأجزاء المكهربة.

ينبغي أن تكون وصلات الكبلات  
(كبل الشبكة الكهربائية  
والمقابس) جافة ولا يجب أن  
تكون موضوعة على الأرض.

## الوصل بالكهرباء

◀ يجب أن يتوافق جهد منبع التيار  
مع المعلومات المذكورة على  
لافتة طراز الجهاز.  
◀ ينصح بوصل هذا الجهاز فقط  
بمقبس تم تأمينه بمفتاح 30  
ميلي أمبير للوقاية من التيار  
المتخلف.

◀ استخدم أو استبدل بهذا الجهاز  
فقط كبلات الوصل بالشبكة  
الكهربائية التي تتوافق مع  
معلومات المنتج. راجع مركز  
الخدمات من أجل ذلك.

◀ لا تلمس قابس الشبكة  
الكهربائية بواسطة اليدين  
المبتلئين إطلاقاً.

◀ لا تعبر خط الوصل بالشبكة  
الكهربائية أو كبل التمديد  
بواسطة السيارة ولا تقمطهما أو  
تسحبهما، فقد يؤدي ذلك إلى  
إتلافهما. احم الكبل من الحرارة  
والزيت والحواف الحادة.

◀ يجب أن يمتاز كبل التمديد  
بالقطر المذكور في تعليمات  
التشغيل كما يجب أن يكون  
محمياً من رذاذ الماء. لا يجوز أن  
تضع قارئة الوصل في الماء.

## الأمان الكهربائي

**تنبيه! اطفئ الجهاز قبل**  
**إجراء أعمال الصيانة**  
**والتنظيف واسحب**




**قابس الشبكة الكهربائية.**  
**يطبق ذلك أيضاً في حال تلف**  
**أو قص أو التلف كبل الشبكة**  
**الكهربائية.**

## خطيرة. يجب أن تكون كبلات التمديد والقوابس والقارنات من النوعية المعزولة ضد الماء والمخصصة للاستعمال الخارجي.

ملحوظة خاصة بالمنتجات التي لا تباع في بريطانيا: تنبيه: يطلب للمحافظة على أمانك أن يتم وصل القابس المركب على الجهاز بكابل التمديد. يجب أن تكون قارنة كابل التطويل محمية من رذاذ الماء، فإما أن تكون مصنوعة من المطاط أو تكون مغطاة بالمطاط. يجب استخدام كابل التطويل مع تجهيزة إعتاق ضد الشد.

### الرموز

قد تكون الرموز التالية ذات أهمية من أجل قراءة وفهم تعليمات التشغيل. يرجى حفظ الرموز ومعناها. يساعدك تفسير الرموز بشكل صحيح على استعمال الجهاز بطريقة أفضل وأكثر أماناً.

الرمز	المعنى
	اسلوب نغف أوراق الشجر
	اسلوب شفط أوراق الشجر
	اتجاه الحركة
	جهة رد الفعل
	التشغيل
	الإطفاء
	تصرف مسموح
	عمل ممنوع

يجب أن يتم فحص كبلات الشبكة الكهربائية وكبلات التمديد بشكل منتظم على ظهور علامات التلف ويجوز استخدامها فقط إن كانت بحالة سليمة.

إن تلف كابل الشبكة الكهربائية بالجهاز، فلا يجوز أن يتم تصليحه إلا من قبل مركز خدمة وكالة شركة بوش. اقتصر على استخدام كبلات التطويل المسموح بها.

استخدم فقط كوابل التمديد والكوابل والخطوط وبكرات الكابل من النوع H05VV-F أو H05RN-F والتي توافق المقياس IEC أو EN 61242/IEC 61242-2-7.60884.

إن أردت أن تستخدم كابل تمديد لتشغيل الجهاز، فيطلب المحافظة على أقطار النواقل التالية:

- قطر الناقل 1,25 مم<sup>2</sup> أو 1,5 مم<sup>2</sup>

- الطول الأقصى 30 م لكبلات التمديد أو 60 م لملفات الكبلات مع مفتاح وقاية من التيار المتخلف

ملحوظة: إن تم استخدام كابل تمديد، توجب أن يمتاز - كما تم وصفه بتعليمات الأمان - بناقل وقائي يتم وصله عبر القابس بالناقل الوقائي بشبكتك الكهربائية للتأريض. يفضل أن تستشير كهربائي متخصص أو مركز صيانة بوش في حال الشك.

**احترس! إن كبلات التمديد المخالفة للأحكام قد تكون**



## الأجزاء المصورة (راجع الصورة A)

- يستند ترقيم الأجزاء المصورة إلى رسوم الجهاز الموجودة في صفحات الرسوم التخطيطية.
- (1) مفتاح التشغيل/الإطفاء مع منظم لسرعة تدفق الهواء
  - (2) وحدة المحرك
  - (3) لولب تثبيت لغطاء الوقاية أو أنبوب الشفط
  - (4) غطاء الوقاية (اسلوب نفخ أوراق الشجر)
  - (5) مقبض على أنبوب الشفط (اسلوب شفط أوراق الشجر)
  - (6) لولب لضبط المقبض
  - (7) أنبوب الشفط (اسلوب شفط أوراق الشجر)
  - (8) خطاف لحزام الحمل
  - (9) حزام الحمل
  - (10) كيس الجمع (اسلوب شفط أوراق الشجر)
  - (11) زر فك إقفال المنفذ أو كيس الجمع
  - (12) منفث (اسلوب نفخ أوراق الشجر)
  - (13) عروة لخطاف حزام الحمل

### الرمز

ارتد قفازات واقية



استخدم الجهاز فقط مع تركيب أنبوب الشفط.



## الاستعمال المخصص

إن الجهاز مخصص للاستعمال المنزلي، لنفخ وجمع أوراق الشجر وفضلات الحدائق الموجودة بالقرب من الأرض، مثلاً قصاصات الأعشاب، في منطقة ما حول المنزل والحديقة. لا يجوز استخدام الجهاز بمثابة آلة تفتيت. استخدام الأجهزة بأسلوب تشغيل آخر غير الوارد في التعليمات قد يكون خطيراً. يمكن أن تجرح نفسك عند استخدام الجهاز بأسلوب تشغيل آخر غير الوارد في التعليمات.

## البيانات الفنية

UniversalGardenTidy 3000	UniversalGardenTidy 2300	UniversalGardenTidy	منفاخ أوراق الشجر / شفاطة حديقة	رقم الصنف
3 600 HB1 001	3 600 HB1 002	3 600 HB1 000		
3 600 HB1 041	3 600 HB1 032	3 600 HB1 030		
3 600 HB1 071	3 600 HB1 072	3 600 HB1 070		
3000 - 1600	2300 - 1600	1800	واط	قدرة الدخل الاسمية
285 - 165	285 - 165	285 - 165	كم/سا	سرعة تدفق الهواء، الحد الأقصى
160	160	160	لتر/ثانية	حجم التدفق، الحد الأقصى
12:1	12:1	12:1		نسبة التقطيع
50	45	45	لتر	حجم كيس الجمع
3,4	3,4	3,4	كغ	الوزن (اسلوب نفخ أوراق الشجر)
4,7	4,7	4,7	كغ	الوزن (اسلوب شفط أوراق الشجر)
II/□	II/□	II/□		فئة الوقاية
راجع لافتة الطراز على الجهاز				الرقم المتسلسل

تسري البيانات على جهد اسمي [A] يبلغ 230 فولت. قد تختلف تلك البيانات حسب اختلاف الجهد والطرازات الخاصة بكل دولة.

ركب غطاء الوقاية (4) على وحدة المحرك. لتنفيذ ذلك، ادخل غطاء الوقاية (4) في المفصل الموجود على وحدة المحرك. ضع غطاء الوقاية (4) على وحدة المحرك، ولتثبيت غطاء الوقاية قم بتدوير لولب التثبيت (3) إلى النهاية، وعندها تسمع أصوات نقرة.

### التشغيل (راجع الصورتين C و D)

تأكد من عدم إعاقه الكابل أثناء العمل.

## اسلوب نفخ أوراق الشجر

### التركيب (راجع الصورة B)

◀ اسحب قابس الشبكة الكهربائية عن المقبس قبل إجراء جميع الأعمال بالجهاز.

ادفع المنفذ (12) إلى وحدة المحرك. احرس عند التركيب على عدم حضر واتحصار الأصابع.

### للتشغيل (راجع الصور M و L و K)

احذر من مخاطر التعثر، مثل الكابل أن منتج غير متبته إليه. تأكد من عدم إعاقة الكابل أثناء العمل. ثبت الكابل في حامل الكابل بجانب المقبض الإضافي. (راجع الصورة K)

**للتشغيل**، قم بتدوير مفتاح التشغيل/الإطفاء (1) باتجاه عقارب الساعة حتى تسمع صوت نقرة.

سرعة تدفق الهواء قابلة للضبط. لزيادة سرعة الهواء، قم بتدوير مفتاح التشغيل/الإطفاء (1) باتجاه عقارب الساعة.

لتخفيض سرعة الهواء، قم بتدوير مفتاح التشغيل/الإطفاء (1) بعكس اتجاه عقارب الساعة.

وجه الجهاز إلى النفايات التي تريد شطفها. عندما لا يتم جمع أو تحريك النفايات، ترتفع سرعة الهواء.

**للاطفاء**، قم بتدوير مفتاح التشغيل/الإطفاء (1) بعكس اتجاه عقارب الساعة حتى تسمع صوت نقرة.

ضع مفتاح التشغيل/الإطفاء (1) الموجود على الجهاز في الوضع 0 قبل أن تفصله عن جهد الشبكة أو قبل أن تسحب قابس الشبكة الكهربائية.

### الفك (راجع الصورتين N و O)

◀ اسحب قابس الشبكة الكهربائية عن المقبس قبل إجراء كل عمل بالجهاز.

لتفريغ كيس الجمع، (10)، اضغط الزر (11) وانزع كيس الجمع (10). فك المشابك عن أنبوب الشفط (7).

افتح السحاب وفرغ كيس الجمع (10) عند الحاجة. للفك، اضغط الزر (11) وانزع كيس الجمع (10). فك المشابك عن أنبوب الشفط (7). احرس عند الفك على عدم حضر واتحصار الأصابع.

حل لولب التثبيت (3). انزع أنبوب الشفط (7) واحفظه في مكان أمين.

### ملاحظات عمل

احفظ المنفذ/أنبوب الشفط دائماً على الأرض أثناء العمل.

لا تنفخ وتجمع المواد الساخنة أو القابلة للاحتراق أو الانفجار.

يصلح الجهاز فقط لشفط أوراق الأشجار وفضلات الحدائق.

افحص محيط العمل على تواجد الحيوانات الصغيرة والأغراض القاسية قبل البدء باستخدام الجهاز.

لا تشفط السوائل، الأكياس البلاستيكية، العلب، الصنوبر، الأغصان التي يزيد قطرها عن 5 مم، الأقمشة، المحارم الورقية وملقاط الغسيل.

ينطلق الممرح فقط إن تم تركيب القطع التالية بشكل صحيح:

- أنبوب الشفط وكيس الجمع في أسلوب شفط أوراق الشجر
- المنفذ وغطاء الوقاية في أسلوب نفخ أوراق الشجر

**للتشغيل**، قم بتدوير مفتاح التشغيل/الإطفاء (1) باتجاه عقارب الساعة حتى تسمع صوت نقرة.

سرعة تدفق الهواء قابلة للضبط. لزيادة سرعة الهواء، قم بتدوير مفتاح التشغيل/الإطفاء (1) باتجاه عقارب الساعة.

لتخفيض سرعة الهواء، قم بتدوير مفتاح التشغيل/الإطفاء (1) بعكس اتجاه عقارب الساعة.

**للاطفاء**، قم بتدوير مفتاح التشغيل/الإطفاء (1) باتجاه عقارب الساعة حتى تسمع صوت نقرة.

ضع مفتاح التشغيل/الإطفاء (1) الموجود على الجهاز في الوضع 0 قبل أن تفصله عن جهد الشبكة أو قبل أن تسحب قابس الشبكة الكهربائية.

### الفك (راجع الصورة E)

◀ اسحب قابس الشبكة الكهربائية عن المقبس قبل إجراء جميع الأعمال بالجهاز.

اضغط الزر (11) إلى الداخل وانزع المنفذ (12).

حل لولب التثبيت (3). انزع غطاء الوقاية (4) واحفظه في مكان أمين.

### أسلوب شفط أوراق الشجر

#### التركيب (راجع الصورتين F و G)

◀ اسحب قابس الشبكة الكهربائية عن المقبس قبل إجراء جميع الأعمال بالجهاز.

ركب الأجزاء الثلاثة لأنبوب الشفط (7) ببعضها البعض. احرس عند التركيب على عدم حضر واتحصار الأصابع.

ركب أنبوب الشفط (7) بوحددة الممرح. ادخل أنبوب الشفط (7) في المفصل الموجود على وحدة الممرح.

ارفع أنبوب الشفط (7)، ولتثبيت غطاء الوقاية قم بتدوير لولب التثبيت (3) إلى النهاية، وعندها تسمع صوت نقرة.

ركب كيس الجمع (10) بوحددة الممرح وثبت المشابيك الموجودة على كيس الجمع بالخطاطيف على أنبوب الشفط. احرس عند التركيب على عدم حضر واتحصار الأصابع.

#### تركيب حزام الحمل (راجع الصورة H)

ثبت حزام الحمل (9) بواسطة الخطافين (8) بعروتي حزام الحمل (13). اضبط حزام الحمل (9) بحيث يحمل وزن الجهاز وتتمكن من توجيه الجهاز جيداً.

#### تركيب وضبط المقبض (راجع الصورتين I و J)

لتركيب المقبض، ضع المقبض (5) على الحامل الموجود على الأنبوب، ثم ادفع اللولب (6) من خلال المقبض وشده.

لضبط الزاوية، حل اللولب (6) وممرح المقبض إلى الأعلى أو الأسفل حتى يكون في وضع العمل المطلوب، ثم أعد شد اللولب (6).

## البحث عن الأخطاء



العلاج	السبب المحتمل	الخطأ
راجع " التركيب ". تأكد من تركيب أنبوب الشفط وغطاء الوقاية (حالة نفخ أوراق الشجر) أو أنبوب الشفط وكيس الجمع (حالة شفط أوراق الشجر) بشكل كامل، عند التركيب يمكن سماع صوت نقرة.	الأجزاء غير مركبة بشكل صحيح، تم تشغيل قفل الأمان	الجهاز لا يعمل
افحصه وقم بتشغيله.	لا يوجد جهد كهربائي	
استخدم مقيساً آخرًا.	مقيس الشبكة الكهربائية تالف	
افحص الكابل واستبدله إن كان تالف.	كابل التمديد تالف	
استبدل المنصهر.	تم إطلاق المنصهر	
اترك المحرك ليبرد وافحص إن كان المنفاخ سيقتل.	تم إطلاق واقية المحرك	
افحص الكابل واستبدله إن كان تالف.	كابل التمديد تالف	الجهاز يشتغل بشكل متقطع
راجع خدمة الزبائن.	تلف الكوابل الداخلية بالجهاز	
راجع خدمة الزبائن.	مفتاح التشغيل والإطفاء تالف	
اترك المحرك ليبرد وافحص إن كان المنفاخ سيقتل.	تم إطلاق واقية المحرك	
افحص مجال التهوية إن كان متسخًا، ونظفه عند الحاجة. راجع خدمة الزبائن إذا لم تجد تحسين.	الجهاز تالف أو معاق	اهتزازات/أصوات شديدة
حرر المنفث/انبوب الشفط.	المنفث/انبوب الشفط مسدودان خطأ بالتركيب	الجهاز لا ينفخ/يشفط المنفث/انبوب الشفط لا يسمان بتركيبهما
راجع " التركيب ".	كيس الجمع ممتلئ	كثافة الشفط تتراجع
أفرغ كيس الجمع.	وصلة الربط بكيس الجمع مسدودة	
حرر وصلة الربط بكيس الجمع. افحص مجال التهوية إن كان متسخًا، ونظفه عند الحاجة.	المنفاخ/عجلة التهوية مسدودة بالأوساخ.	
نظف المنفاخ وعجلة التهوية. راجع " الصيانة ".	المنفاخ/عجلة التهوية مسدودة بالأوساخ.	صوت الصفيير في أنبوب الشفط
نظف المنفاخ وعجلة التهوية. راجع " الصيانة ".	المنفاخ مستعصم عن الحركة	جهاز الحديقة لا ينفخ الهواء
اطفئ الجهاز، اسحب قاسب الشبكة الكهربائية وأزل الاستعصاء (ارتد قفازات واقية).	خطأ في القطعة	نظام السرعة المتغيرة لا يعمل
راجع خدمة الزبائن.		

من أجل استعمال أمثل، نظف جهاز التهوية والمجال حول جهاز التهوية بعد كل استعمال.  
حافظ على نظافة الجهاز وشفوق التهوية، لكي تستطيع أن تعمل بشكل جيد وأمن.  
أزل الأوساخ عن الجهاز أو كيس الجمع بواسطة قطعة قماش رطبة أو فرشاة خشنة.  
لا تبخ الجهاز أبداً بواسطة الماء.  
لا تغطس الجهاز أبداً في الماء.  
خزن الجهاز في مكان آمن وجاف وبعيدا من مثال الأطفال.

## الصيانة والخدمة

## الصيانة والتنظيف والتخزين (راجع الصورتين P و Q)

- ◀ اسحب قاسب الشبكة الكهربائية عن المقبس قبل إجراء جميع الأعمال بالجهاز.
- ◀ حافظ على نظافة الجهاز، لكي تتمكن من العمل بشكل جيد وأمن.

لا تترك أغراض أخرى على الجهاز.  
تأكد من ثبات جميع الصواميل والمسامير واللواصق لضمان سلامة وأمان العمل بالجهاز.  
افحص مدى تلف واستهلاك كيس الجمع بانتظام.  
افحص الجهاز واستبدل القطع المستهلكة أو التالفة على سبيل الاحتياط.  
احرص على كون الأجزاء المستبدلة صنع بوش.

### خدمة العملاء واستشارات الاستخدام

يجب مركز خدمة العملاء على الأسئلة المتعلقة بإصلاح المنتج وصيانتها، بالإضافة لقطع الغيار. تجد الرسوم التفصيلية والمعلومات الخاصة بقطع الغيار في الموقع: [www.bosch-pt.com](http://www.bosch-pt.com)  
يسر فريق Bosch لاستشارات الاستخدام مساعدتك إذا كان لديك أي استفسارات بخصوص منتجاتنا وملحقاتها.  
يلزم ذكر رقم الصنف ذو الخانات العشر وفقاً للوحة صنع المنتج عند إرسال أية استفسارات أو طلبات قطع غيار.

تجد المزيد من عناوين الخدمة تحت:

[www.bosch-pt.com/serviceaddresses](http://www.bosch-pt.com/serviceaddresses)

### التخلص من العدة الكهربائية

يجب التخلص من الأجهزة والتوابع والتغليف بطريقة منصفة بالبيئة عن طريق النفايات القابلة لإعادة التصنيع.

لا تقم برمي الأجهزة والمنتجات الأخرى في النفايات المنزلية!



### فقط لدول الاتحاد الأوروبي:

حسب التوجيه الأوروبي 2012/19/EU بصدد الأجهزة الكهربائية والإلكترونية القديمة وتطبيقه ضمن القانون المحلي، يجب جمع وفصل المنتجات التي لم تعد صالحة للاستعمال والتخلص منها لمركز يقوم بإعادة استعمالها بطريقة محافظة على البيئة.

اشخاص نزدیک خود را در فاصله ایمن از محصول نگهدارید.

از عینک و گوشی ایمنی استفاده کنید.



ابزار باغبانی را در برابر باران حفظ کنید یا زیر باران رها نکنید.



قبل از انجام تنظیمات محصول، تمیز کردن، موقع کلاف شدن، پاره شدن یا آسیب دیدن کابل



محصول و یا حتی قرار دادن محصول بدون نظارت برای مدت کوتاه، آن را خاموش کنید و دوشاخه را از پریز درآورید.



قبل از تماس با قسمتهای محصول، بگذارید به طور کامل بایستند. دمنده پس



از خاموش شدن محصول برای مدتی در حرکت می ماند و می تواند باعث ایجاد جراحات شود.

از محصول تنها در وضعیت تعریف شده برای عملکرد



استفاده کنید. محصول برای نگه داشتن وارونه در حالت مکش برگ مناسب نیست.



## کاربری

◀ هرگز به کودکان یا سایر افراد نا آشنا اجازه استفاده از محصول را ندهید. مقررات مربوط به هر کشور می توانند سن کاربر را محدود کنند. چنانچه از محصول استفاده نمی

## فارسی

### دستورات ایمنی

توجه! همه دستورات ایمنی را به دقت بخوانید. خود را با قسمتهای کاربری و نحوه استفاده از ابزار باغبانی آشنا کنید. لطفا دفترچه راهنما را برای آینده خوب نگهداری کنید.

### توضیح علائم روی دستگاه

هشدارهای عمومی.



دفترچه ی راهنما را تا انتها بخوانید.



دقت کنید که افراد نزدیک شما با اجسام به هوا پرت شده زخمی



نشوند.

هشدار: هنگام کار ابزار با باغبانی، فاصله ایمنی را رعایت کنید.



دمنده در حال کار. با دستها و پاها، لباس گشاد نزدیک ورودی های محصول در حال چرخش نشوید.



با دستها و پاها، لباس گشاد نزدیک ورودی های محصول در حال چرخش



نشوید.

توجه کنید که اشخاص در نزدیکی شما بوسیله اجسام خارجی پرتاب شده از محصول زخمی نشوند.



- ◀ هنگام کاربرد محصول، کفشهای سر باز یا صندل نپوشید. کفش کار محکم و یک شلوار بلند بپوشید. (رجوع کنید به تصویر C و L).
- ◀ دقت کنید تا لباس گشاد به محل ورودی هوا کشیده نشود، چون منجر به جراحت می شود.
- ◀ دقت کنید که موهای بلند به پشت بسته باشد و به محل ورودی هوا کشیده نشود، چون منجر به جراحت می شود.
- ◀ محصول را همراه با نازل یا لوله ی مکش تعبیه شده بکار برید.
- ◀ سطح مورد کاربری را به دقت بررسی کنید و سیمها و سایر اجسام متفرقه را جدا کنید.
- ◀ قبل از هر بار استفاده کابل اتصال/رابط را از نظر آسیب دیدگی کنترل کنید و آن را در صورت لزوم تعویض نمایید.
- ◀ کابل اتصال/رابط را در برابر گرما، روغن و لبه های تیز محفوظ بدارید.
- ◀ کابل محصول را همواره از پشت آن عبور دهید.
- ◀ محصول را هرگز با تجهیزات محافظ آسیب دیده، سرپوش یا تجهیزات ایمنی مانند محافظ پرتاب و/یا کیسه جمع آوری علف بکار نگیرید.
- ◀ اطمینان حاصل کنید که همه تجهیزات ایمنی و دسته های ارسالی هنگام کار با محصول نصب شده باشند. سعی نکنید محصولی که بطور کامل نصب
- کنید، آن دور از دسترس کودکان نگهدارید.
- ◀ افراد (همچنین کودکان) دارای کاستیهای روحی و جسمی یا بدون تجربه یا آشنایی که نمی توانند محصول را با اطمینان بکار برند، نباید از محصول بدون نظارت یا توجیه روش کاربری بوسیله یک فرد مسؤو ل استفاده کنند. کودکان باید زیر نظر باشند تا اطمینان حاصل شود که آنها با محصول بازی نمی کنند.
- ◀ هرگز از محصول در صورت بودن اشخاص، بخصوص کودکان یا حیوانات در نزدیکی شما استفاده نکنید.
- ◀ کاربر در برابر حوادث یا خسارات روی اشخاص یا املاک مسؤو ل می باشد.
- ◀ نباید اشخاص یا حیوانات در محدوده 3 متری محل کار قرار گیرند. کاربر در محیط کار در برابر شخص سوم مسؤو ل است.
- ◀ محصول را فقط در روز روشن یا زیر نور مناسب چراغ بکار برید.
- ◀ اگر خسته یا بیمار هستید یا تحت تأثیر مواد مخدر، دارو یا الکل قرار دارید، از محصول استفاده نکنید.
- ◀ در صورت بد بودن هوا بخصوص هنگام رعد و برق با محصول کار نکنید.
- ◀ هنگام کار با ابزار باغبانی همواره یک لباس مقاوم روی بالاتنه و بازوها بپوشید

- ◀ نشده است یا دارای تغییرات غیر مجاز می باشد را بکار برید.
- ◀ هنگام کار با محصول به محکم بودن جایگاه خود توجه کنید و همیشه تعادل خود را حفظ کنید.
- ◀ در هنگام کار از محیط خود اطمینان حاصل کنید و به خطرات ممکن که حین مکش/دمش قابل شنیدن نیستن توجه داشته باشید.
- ◀ از گرفتن وضعیت غیر عادی بهره‌رزید و همواره تعادل خود را حفظ کنید.
- ◀ هنگام کار روی سطوح کج همیشه مطمئن گام بردارید.
- ◀ همواره آرام برانید، هرگز تند حرکت نکنید.
- ◀ تمام سوراخهای تهویه را عاری از آلودگی نگهدارید.
- ◀ آلودگی/برگ را هرگز به طرف افراد نزدیک به خود نرانید.
- ◀ محصول را هرگز بوسیله کابل حمل نکنید.
- ◀ توصیه می شود از ماسک ضد گرد و غبار استفاده کنید.
- ◀ قبل از تماس با قسمت‌های محصول، بگذارید به طور کامل بایستند. دمنده پس از خاموش شدن محصول برای مدتی در حرکت می ماند و می تواند باعث ایجاد جراحات شود.
- ◀ **محصول را دستکاری نکنید.** تغییرات غیر مجاز ممکن است ایمنی محصول شما را مختل و یا ایجاد سر و صدای شدید یا لرزش کنند.
- ◀ در حالت مکش ممکن است سایر اشیاء به غیر از موارد ذکر شده برای کاربری برگ و زباله های باغبانی به داخل کشیده شوند. اشیاء بزرگی مانند شاخه های بلند، خرده شیشه، تکه های فلزی و سنگ را چارو نکنید.
- ◀ یک پوسته بدنه یا بادزن آسیب دیده (تراشه، ترک، تکه ها) خطر جراحت را از طریق پرت شدن اجسام خارجی افزایش می دهد. در صورت آسیب دیدگی بادزن یا بدنه به خط ویژه یا هات لاین Bosch مراجعه کنید.
- ◀ در موارد کمی (مانند کاربری طولانی در شرایط خشک و داغ) ممکن است توسط نیروی خلأ دمنده یک بار الکترومغناطیسی ایجاد شود که هنگام تماس با محصول قابل لمس است.

### دو شاخه را از پریز بیرون بکشید:

- وقتی که خود را از محصول جدا می کنید
- هنگامی که محصول را کنترل می کنید، انسدادی را رفع یا روی آن کار می کنید
- پس از برخورد با یک جسم خارجی. محصول را از لحاظ آسیب دیدگی کنترل کنید و آن را بدهید در صورت نیاز سرویس کنند
- چنانچه محصول به طور غیر عادی شروع به لرزیدن کرد (فورا کنترل کنید)

## اتصال به برق

◀ ولتاژ منبع جریان برق باید با مقادیر موجود بر روی برچسب محصول مطابقت داشته باشد.  
 ▶ توصیه می شود، محصول را فقط به یک پریزی وصل کنید که مجهز به یک کلید حفاظ با جریان خطای حداکثر 30 میلی آمپر باشد.

◀ ولتاژ منبع جریان برق باید با مقادیر موجود بر روی برچسب محصول مطابقت داشته باشد؛ شماره ی سفارش و مدل، رجوع شود به دفترچه ی راهنما. جهت انجام این کار به مرکز خدمات مراجعه کنید.


◀ دوشاخه را هرگز با دست خیس نگیرید.

◀ کابل اتصال یا کابل رابط را لگد مال یا له نکنید، آن را نکشید، چون ممکن است آسیب ببیند. کابل اتصال/رابط را در برابر گرما، روغن و لبه های تیز محفوظ بدارید.

◀ کابل رابط بایستی مطابق با قطر مندرج در دفترچه راهنما و در برابر ورپاش آب مصون باشند. محل اتصال نباید در آب قرار گیرد.

## ایمنی الکتریکی

**توجه! محصول را قبل از سرویس یا تمیز کاری خاموش کنید و دوشاخه آنرا از شبکه برق بیرون بکشید. همین کار را در صورت بریدگی، آسیب دیدگی**



یا کلافه شدن کابل دستگاہ انجام دهید.

◀ یک حفاظ موتور نصب شده است! موتور به یک حفاظت از فشار زیاد مجهز می باشد. چنانچه موتور از حرکت ایستاد، بگذارید قبل از شروع مجدد برای چند دقیقه خنک شود.

◀ در صورت آسیب دیدگی کابل برق در حین کار، دوشاخه را فوراً از پریز بیرون بکشید. قبل از بیرون کشیدن کابل، به کابل آسیب دیده دست نزنید.

محصول جهت ایمنی شما عایق است و نیاز به ارت ندارد. ولتاژ مورد نیاز برابر است با 230 V AC, 50 Hz (برای کشورهای غیر اتحادیه اروپا 220 یا 240 V). تنها از کابل رابط مجاز استفاده کنید. اطلاعات مربوط را از نمایندگی مجاز بوش (خدمات پس از فروش) کسب کنید.

جهت افزایش ایمنی از یک کلید FI (RCD) با جریان خطای حداکثر 30 میلی آمپر استفاده شود. این کلید FI بایستی قبل از هر بار کار کنترل شود.

کابل برق یا کابل رابط را از تمام قسمتهای متحرک دور نگهدارید و از هر گونه آسیب دیدگی کابل جلوگیری کنید تا تماسی با قسمتهای حامل جریان برقرار نشود.

بوش در نزدیکی خود مراجعه کنید.

**احتیاط: کابل رابط غیر استاندارد ممکن است خطر ساز باشد. کابل رابط، دوشاخه و مادگی بایستی ضد آب و مناسب با محیط بیرون باشند.**



تذکر برای محصولاتی که در **انگلیس** فروخته نمی شوند: **توجه:** برای ایمنی شما لازم است که دوشاخه روی محصول به کابل رابط وصل باشد. کوپل کابل رابط بایستی در برابر وریاش آب مصون باشد، لاستیکی و یا با لاستیک پوشیده شده باشد. کابل رابط بایستی با بست لاستیکی بکار برده شود.

### علامت ها

علامتهای ذیل برای استفاده از چاروبرقی مهم می باشند. لطفا این علائم و معانی آنها را به خاطر بسپارید. فهم درست این علائم به شما جهت استفاده ی درست و ایمن از محصول کمک می کند.

معنی	علامت
حالت دممش برگ	
حالت مکش برگ	
مسیر یا جهت حرکت	
مسیر یا جهت عکس العمل	
نمونه روشن کردن	
نمونه خاموش کردن	
کاربری مجاز	

اتصالات کابل (پریز و دوشاخه) بایستی خشک باشند و روی زمین قرار نگیرند.

کابل برق و کابل رابط باید مرتب از لحاظ داشتن عیب و نقص کنترل و تنها در صورت بی عیب بودن بکار برده شود.

در صورت معیوب بودن کابل برق محصول باید آنرا فقط توسط تعمیرگاه های مجاز و خدمات پس از فروش ابزارآلات برقی بوش تعمیر کرد. تنها از کابل رابط مجاز استفاده کنید.

تنها از کابل رابط، کابل، سیم ها و قرقره کلافی استفاده کنید که با EN 61242/IEC 61242 یا IEC 60884-2-7 مطابقت دارند و از نوع H05VVV-F یا H05RN-F هستند.

چنانچه هنگام کار با محصول از یک کابل رابط استفاده می کنید، کابل های با قطر زیر لازم هستند:

- قطر 1,25 میلیمتر<sup>2</sup> یا 1,5 میلیمتر<sup>2</sup>

- بیشترین طول 30 متر برای کابل رابط یا 60 متر برای قرقره کابل دارای کلید حفاظت جریان خطا

تذکر: در صورت استفاده از کابل رابط بایستی کابل همانطور که در دستورات ایمنی ذکر شد، دارای محافظ ارت باشد که از طریق دوشاخه به محافظ ارت سیستم الکتریکی شما متصل است.

در موارد مشکوک به یک متخصص برقی یا نمایندگی مجاز

## اجزاء دستگاہ (رجوع شود به تصویر A)

شماره گذاری اجزای مصور، مربوط به تصویر محصول در صفحه ی تا شو می باشد.

- (1) کلید قطع و وصل با تنظیم کننده برای سرعت جریان هوا
- (2) واحد موتور
- (3) پیچ اتصال برای درپوش محافظ یا شلنگ مکش
- (4) درپوش محافظ (حالت دمش برگ)
- (5) دسته روی شلنگ مکش (حالت مکش برگ)
- (6) پیچ برای تنظیم دسته
- (7) شلنگ مکش (حالت مکش برگ)
- (8) قلاب برای حمل و نقل
- (9) کمربند حمل
- (10) کیسه جمع آوری (حالت مکش برگ)
- (11) دکمه برای آزاد کردن نازل یا کیسه جمع آوری
- (12) نازل (حالت دمش برگ)
- (13) محل قرارگیری قلاب کمربند حمل

معنی	علامت
عملکرد ممنوع و غیر مجاز	
از دستکش ایمنی استفاده کنید	
محصول را همراه با لوله ی مکش تعبیه شده بکار برید.	

## موارد استفاده از دستگاہ

محصول جهت جمع آوری برگ و زباله های باغ مثل چمن بریده شده در محیط خانه و باغ در نظر گرفته شده است.

ابزار باغبانی را نباید به عنوان دستگاہ خرد کننده استفاده کرد.

کاربرد محصول در موارد تعریف نشده ممکن است خطرناک باشد. در صورت کاربری خلاف مقررات امکان بروز جراحت وجود دارد.

## مشخصات فنی

UniversalGardenTidy 3000	UniversalGardenTidy 2300	UniversalGardenTidy	برگ جمع کن / دستگاہ مکنده باغبانی
<b>3 600 HB1 001</b>	<b>3 600 HB1 002</b>	<b>3 600 HB1 000</b>	شماره فنی
<b>3 600 HB1 041</b>	<b>3 600 HB1 032</b>	<b>3 600 HB1 030</b>	
<b>3 600 HB1 071</b>	<b>3 600 HB1 072</b>	<b>3 600 HB1 070</b>	
1600 - 3000	1600 - 2300	1800	W قدرت ورودی نامی
165 - 285	165 - 285	165 - 285	km/h سرعت جریان هوا، پیشینه
160	160	160	l/s حداکثر حجم جریان هوا، پیشینه
12:1	12:1	12:1	نسبت خردکنندگی
50	45	45	l حجم کیسه جمع آوری
3.4	3.4	3.4	kg وزن (حالت دمش برگ)
4.7	4.7	4.7	kg وزن (حالت مکش برگ)
II / □	II / □	II / □	کلاس ایمنی
رجوع کنید به برچسب روی محصول			شماره فنی/شماره سری

مقادیر برای ولتاژ نامی [U] 230 ولت میباشند. برای ولتاژهای مختلف و تولیدات مخصوص کشورها، ممکن است این مقادیر، متفاوت باشند.

نازل (12) را روی واحد موتور نصب کنید. دقت کنید که انگشتان گیر نکنند.

درپوش محافظ (4) را روی واحد موتور نصب کنید. درپوش محافظ (4) را در زانویی واحد موتور قرار دهید. درپوش محافظ (4) را روی واحد موتور قرار

## حالت دمش برگ

### نصب (رجوع شود به تصویر B)

قبل از هر گونه کار روی محصول، دوشاخه را از پریز بیرون بکشید.

برای تنظیم زاویه، پیچ (6) را باز کنید و آن را به بالا یا پایین به حالت کاری دلفواه برانید و سپس پیچ (6) را دوباره سفت نمایید.

### کاربری (رجوع کنید به تصاویر K, L, و M)

نسبت به سرنگون شدن یا کابل یا محصولی نظارت نشده دقت کنید. مطمئن شوید که کابل مزاحم کارتان نباشد. کابل را در نگهدارنده کابل واقع در طرف دستگیره کمکی محکم کنید. (رجوع کنید به تصویر K)

برای روشن کردن، کلید قطع و وصل (1) را تا کلیک کردن در جهت چرخش عقربه های ساعت بچرخانید. سرعت جریان هوا قابل انتخاب است. برای افزایش سرعت جریان هوا، کلید قطع و وصل (1) را در جهت چرخش عقربه های ساعت بچرخانید.

برای کاهش سرعت جریان هوا، کلید قطع و وصل (1) را در خلاف چرخش عقربه های ساعت بچرخانید. محصول را به طرف اشیائی بگیرید که می خواهید مکش کنید. چنانچه هیچ چیزی جا به جا یا جمع نشود، سرعت جریان هوا بیشتر می گردد.

برای خاموش کردن، کلید قطع و وصل (1) را تا کلیک کردن در خلاف جهت چرخش عقربه های ساعت بچرخانید تا کلیک کند.

پیش از درآوردن دوشاخه از پریز یا قطع جریان برق، کلید قطع و وصل (1) محصول را روی „0“، بگذارید.

### از هم باز کردن (رجوع کنید به تصاویر N و O)

قبل از هر گونه کار روی محصول، دوشاخه را از پریز بیرون بکشید.

برای تخلیه کیسه جمع آوری (10)، دکمه (11) را فشار دهید و کیسه جمع آوری (10) را بردارید. گیره های شلنگ مکش (7) را بردارید. زیپ را باز کنید و کیسه جمع آوری (10) را در صورت نیاز خالی نمایید.

برای از هم باز کردن دکمه (11) را فشار دهید و کیسه جمع آوری (10) را بردارید. گیره های شلنگ مکش (7) را بردارید. دقت کنید که انگشتان هنگام از هم باز کردن گیر نکنند.

پیچ اتصال (3) را باز کنید. شلنگ مکش (7) را بردارید و آن را مطمئن نگهداراری کنید.

### راهنمایی های عملی

نازل/لوله مکش را هنگام کار روی کف زمین نگهدارید.

مواد داغ، قابل اشتعال یا انفجار را باد ندهید. این محصول فقط برای مکش برگ و زباله های باغبانی در نظر گرفته شده است.

قبل از استفاده از محصول، محیط خود را از لحاظ وجود اشیاء سخت و حیوانات کوچک کنترل کنید.

از مکش مایعات، پاکتهای پلاستیکی، قوطی ها، بلوط، شاخه های دارای قطر بیشتر از 5 میلیمتر، پارچه ها، دستمال کاغذی و گیره ی رخت خودداری کنید.

موتور تنها در صورت نصب بودن درست این اجزاء روشن می شود:

دهید و برای تثبیت درپوش محافظ، پیچ اتصال (3) را تا انتها بپیچانید تا به طور ممسوس جا بیفتد.

### کاربری (رجوع کنید به تصاویر C و D)

مطمئن شوید که کابل مزاحم کارتان نباشد.

برای روشن کردن، کلید قطع و وصل (1) را تا کلیک کردن در جهت چرخش عقربه های ساعت بچرخانید. سرعت جریان هوا قابل انتخاب است. برای افزایش سرعت جریان هوا، کلید قطع و وصل (1) را در جهت چرخش عقربه های ساعت بچرخانید.

برای کاهش سرعت جریان هوا، کلید قطع و وصل (1) را در خلاف چرخش عقربه های ساعت بچرخانید.

برای خاموش کردن، کلید قطع و وصل (1) را تا کلیک کردن در خلاف جهت چرخش عقربه های ساعت بچرخانید تا کلیک کند.

پیش از درآوردن دوشاخه از پریز یا قطع جریان برق، کلید قطع و وصل (1) محصول را روی „0“، بگذارید.

### از هم باز کردن (رجوع شود به تصویر E)

قبل از هر گونه کار روی محصول، دوشاخه را از پریز بیرون بکشید.

دکمه (11) را فشار دهید و نازل (12) را بردارید.

پیچ اتصال (3) را باز کنید. درپوش محافظ (4) را بردارید و آن را مطمئن نگهداراری کنید.

### حالت مکش برگ

#### نصب (رجوع کنید به تصاویر F و G)

قبل از هر گونه کار روی محصول، دوشاخه را از پریز بیرون بکشید.

هر سه بخش شلنگ مکش (7) را به هم متصل کنید. دقت کنید که انگشتانان گیر نکنند.

شلنگ مکش (7) را روی واحد موتور نصب کنید.

شلنگ مکش (7) را در زانویی واحد موتور قرار دهید. شلنگ مکش (7) را بلند کنید و برای تثبیت درپوش محافظ، پیچ اتصال (3) را تا انتها بپیچانید تا به طور ممسوس جا بیفتد.

کیسه جمع آوری (10) را به واحد موتور وصل کنید و گیره های آن را به قلاب روی شلنگ مکش آویزان کنید. دقت کنید که انگشتانان گیر نکنند.

#### نصب کمربند حمل (رجوع شود به تصویر H)

کمربند حمل (9) را با هر دو قلاب (8) به حلقه های کمربند (13) متصل کنید. کمربند حمل (9) را طوری تنظیم کنید که وزن محصول را تحمل کند و شما نیز بتوانید آن را خوب پیدا کنید.

#### نصب و تنظیم دسته (رجوع کنید به تصویر I و J)

برای نصب دسته، دستگیره (5) را روی نگهدارنده واقع بر لوله بگذارید و پیچ (6) را از میان دسته عبور دهید و آن را محکم نمایید.

- در حالت مکش برگ، لوله مکش و کیسه جمع - در حالت دمش برگ، نازل و درپوش محافظ آوری

## جستجوی خطا



ایراد	دلیل ممکن	راهنمایی
محصول کار نمی کند	اجزاء درست نصب نشده اند، قفل ایمنی فعال است	رجوع شود به "نصب". کنترل کنید که شلنگ مکش و درپوش محافظ (حالت دمش برگ) یا شلنگ مکش و کیسه جمع آوری (حالت مکش برگ) کاملاً نصب باشند، صداهای کلیک به طور محسوس قابل شنیدن است.
	دستگاه به برق وصل نیست	کنترل کنید و وصل کنید.
	پریز برق خراب است	از پریز دیگر استفاده کنید.
	کابل رابط آسیب دیده است	کابل را کنترل کنید و در صورت آسیب دیدگی تعویض کنید.
	فیوز پریده است	فیوز را عوض کنید.
	محافظ موتور فعال شده است	بگذارید موتور خنک شود و دمنده را از لحاظ مسدود بودن کنترل کنید.
محصول با توقف کار می کند	کابل رابط آسیب دیده است	کابل را کنترل کنید و در صورت آسیب دیدگی تعویض کنید.
	اتصال درونی کابل‌های محصول معیوب است	به نمایندگی مراجعه کنید.
	کلید قطع و وصل خراب است	به نمایندگی مراجعه کنید.
	محافظ موتور فعال شده است	بگذارید موتور خنک شود و دمنده را از لحاظ مسدود بودن کنترل کنید.
لرزش شدید/سر و صدا	محصول خراب یا بلوکه شده است	بخش تهویه را از لحاظ آلودگی کنترل و در صورت نیاز تمیز کنید. در صورت رفع نشدن، به نمایندگی مراجعه کنید.
ابزار باغبانی نمی دمد/نمی مکد	نازل/لوله ی مکش مسدود است	نازل/لوله ی مکش را آزاد کنید.
نازل/لوله ی مکش نصب نمی شود	نصب اشتباه	رجوع شود به "نصب".
قدرت مکش کم است	کیسه پر است	کیسه جمع آوری را خالی کنید.
	تبدیل اتصال کیسه جمع آوری مسدود است	تبدیل اتصال کیسه جمع آوری را آزاد کنید. بخش تهویه را از لحاظ آلودگی کنترل و در صورت نیاز تمیز کنید.
	دمنده/پره تهویه با آلودگی مسدود شده است.	دمنده و پره تهویه را تمیز کنید. رجوع شود به "سرویس".
صدای سوت در لوله مکش	دمنده/پره تهویه با آلودگی مسدود شده است.	دمنده و پره تهویه را تمیز کنید. رجوع شود به "سرویس".
ابزار باغبانی باد نمی دهد	دمنده مسدود است	محصول را خاموش کنید و مانع را بر طرف کنید (از دستکش استفاده کنید).
انتخاب سرعت کار نمی کند	ایراد در اجزاء	به نمایندگی مراجعه کنید.

محصولات را داخل زباله دان خانگی  
نیاندازید!



**فقط برای کشورهای عضو اتحادیه اروپا:**  
طبق آئین نامه و دستورالعمل اروپائی 2012/19/EU  
در باره ی محصولات کهنه و تبدیل آن به حق ملی،  
پایه ابزارهای برقی غیرقابل استفاده را جداگانه جمع  
آوری کرد و نسبت به بازیافت مناسب با محیط زیست  
اقدام بعمل آورد.

## مراقبت و سرویس

**سرویس، تمیز کردن و نگهداری (رجوع  
کنید به تصویر P و Q)**

- ◀ قبل از هر گونه کار روی محصول، دوشاخه را  
از پریز بیرون بکشید.
- ◀ جهت کار کردن خوب و مطمئن، محصول را  
تمیز نگهدارید.

برای کاربری بهینه، شیر هوا و محدوده اطراف آن را  
پس از هر بار کاربرد تمیز کنید.  
محصول و درپچه ی تهویه را برای کارایی خوب و امن  
تمیز نگهدارید.

آلودگی را توسط یک دستمال مرطوب از محصول یا  
کیسه بزدايید.

مانع پاشش آب به محصول شوید.

محصول را در آب فرو نکنید.

محصول را در یک جای خشک، امن و دور از دسترس  
کودکان قرار دهید.

هیچ جسمی را روی محصول قرار ندهید.

از محکم بودن مهره ها، پین ها و پیچها مطمئن  
شوید تا وضعیت کار ایمنی برای محصول تضمین  
گردد.

مرتب کیسه جمع آوری را از نظر فرسودگی و تغییر  
شکل کنترل کنید.

محصول را کنترل کنید و قسمتهای فرسوده یا آسیب  
دیده را جهت اطمینان تعویض کنید.

مطمئن شوید که قطعات تعویضی از شرکت بوش  
باشند.

## خدمات و مشاوره با مشتریان

خدمات مشتری، به سؤالات شما درباره تعمیرات،  
سرویس و همچنین قطعات یدکی پاسخ خواهد داد.  
نقشههای سه بعدی و اطلاعات مربوط به قطعات  
یدکی را در تارنمای زیر مییابید:

[www.bosch-pt.com](http://www.bosch-pt.com)

گروه مشاوره به مشتریان Bosch با کمال میل به  
سؤالات شما درباره محصولات و متعلقات پاسخ می  
دهند.

برای هرگونه سؤال و یا سفارش قطعات یدکی، حتماً  
شماره فنی 10 رقمی کالا را مطابق برچسب روی ابزار  
برقی اطلاع دهید.

### ایران

روبرت بوش ایران - شرکت بوش تجارت پارس  
میدان ونک، خیابان شهید خدای، خیابان آفتاب  
ساختمان مادیران، شماره 3، طبقه سوم.

تهران 194834571

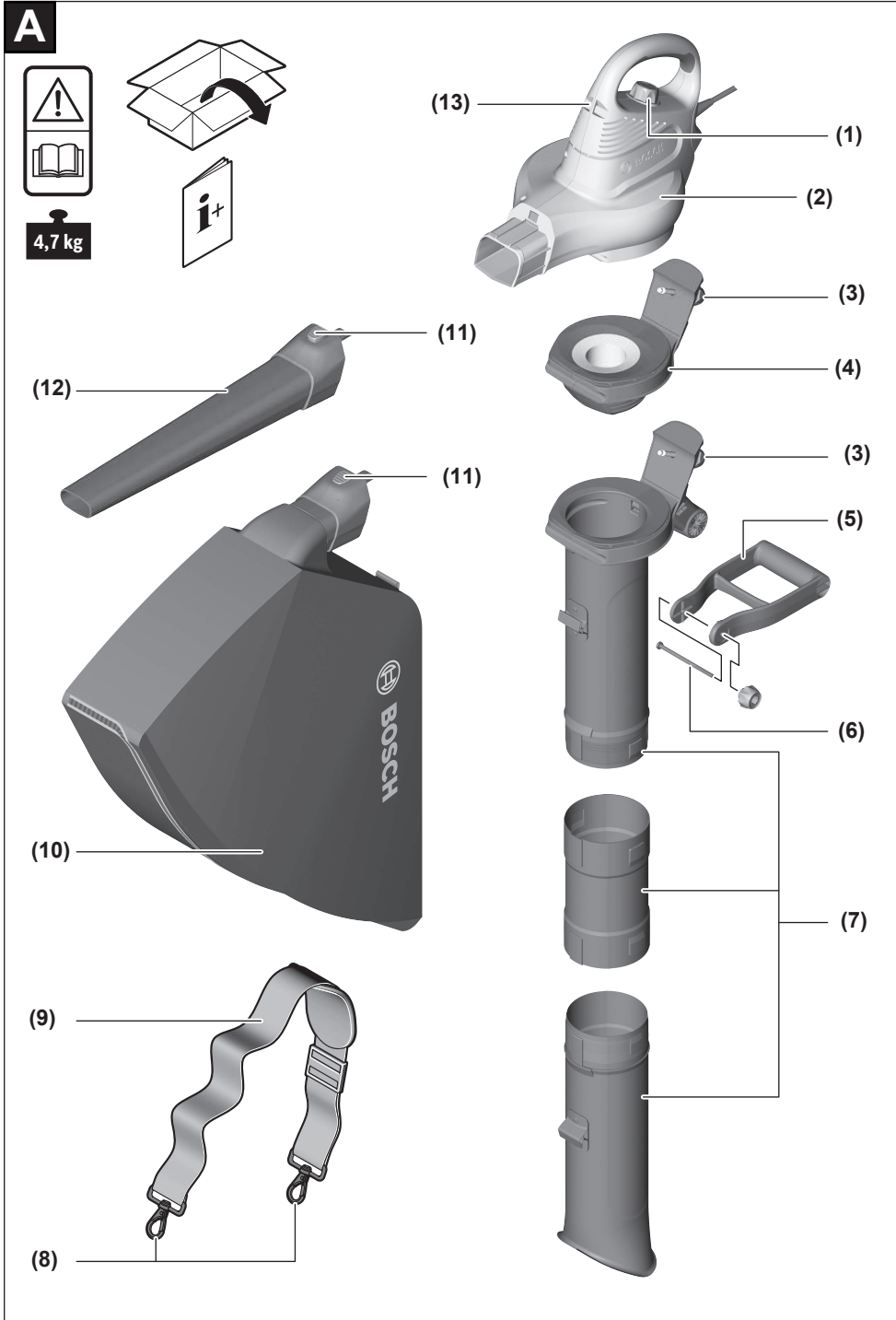
تلفن: 9821+ 42039000

**آدرس سایر دفاتر خدماتی را در ادامه ببینید:**

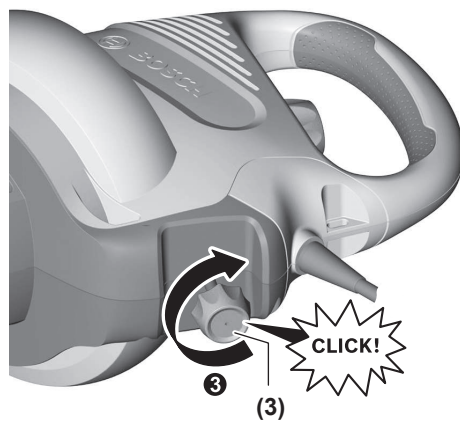
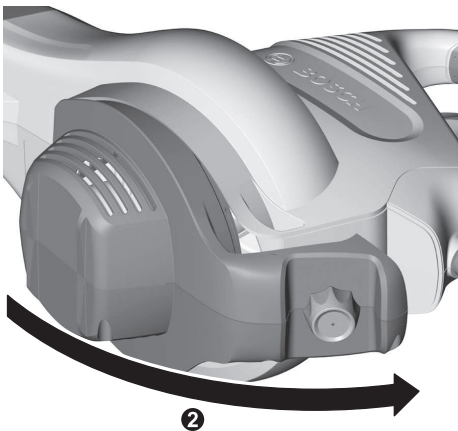
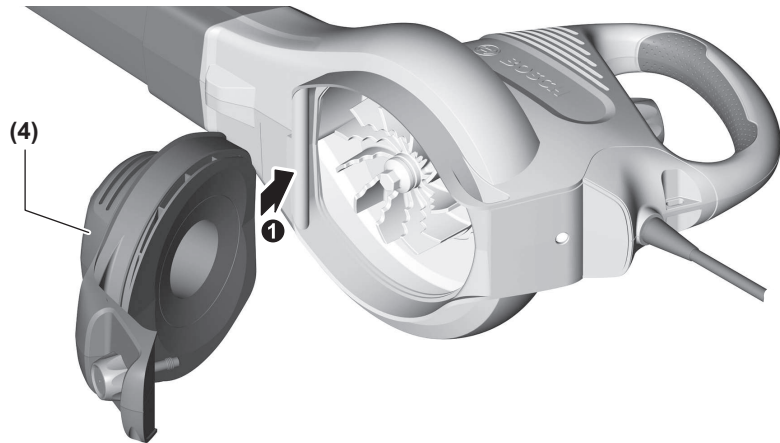
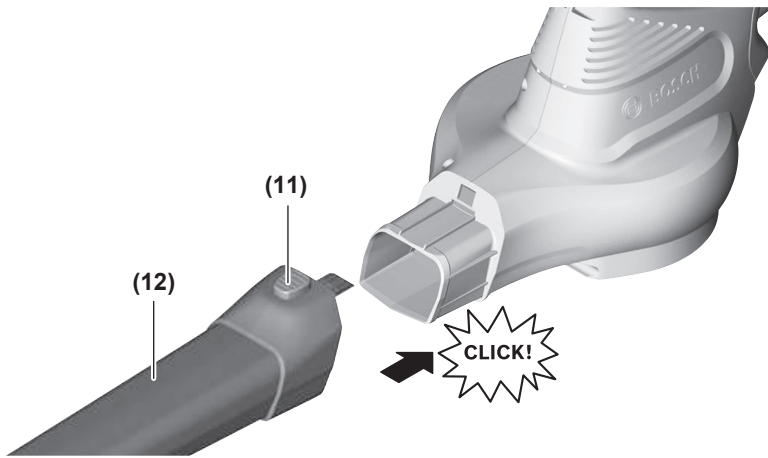
[www.bosch-pt.com/serviceaddresses](http://www.bosch-pt.com/serviceaddresses)

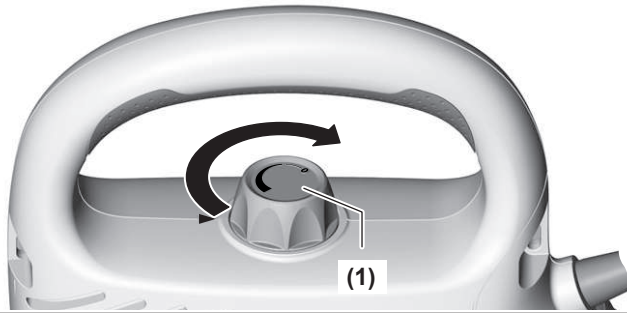
## از رده خارج کردن دستگاه

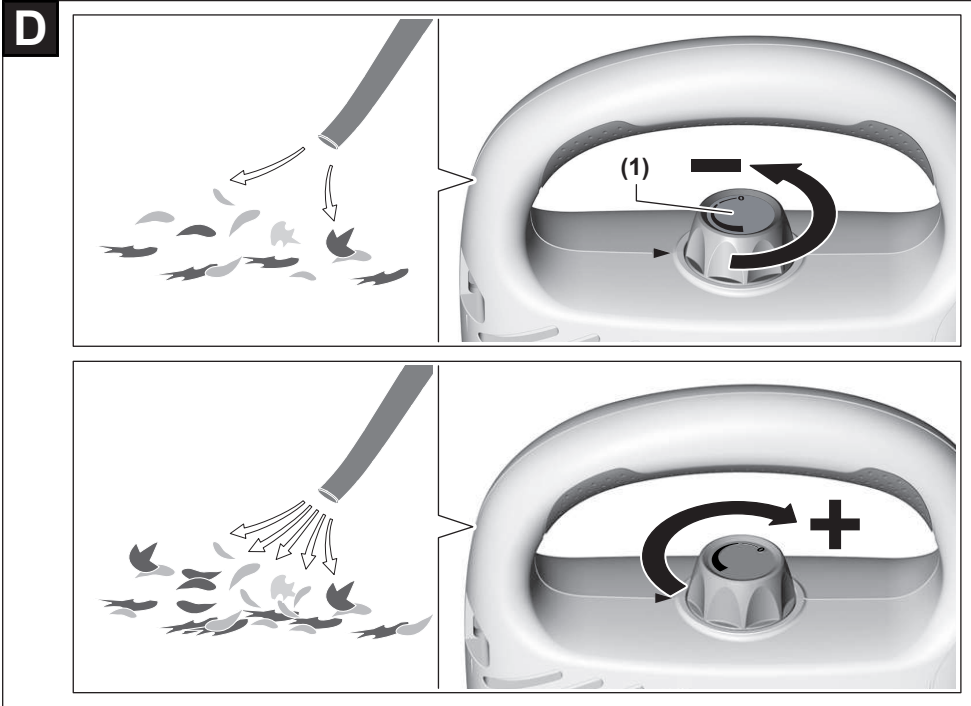
محصولات، متعلقات و بسته بندی آن، باید طبق  
مقررات حفظ محیط زیست از رده خارج و بازیافت  
شوند.

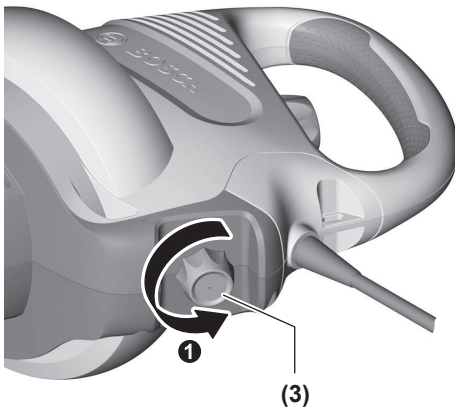
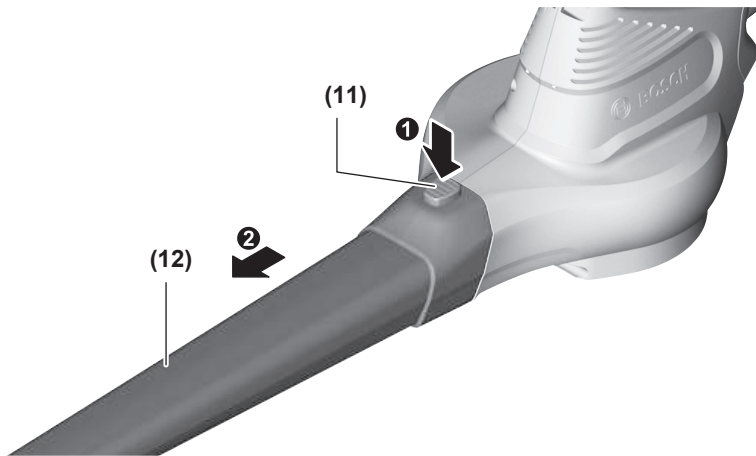


**B**

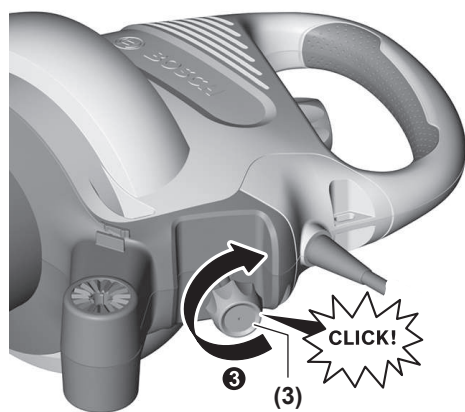
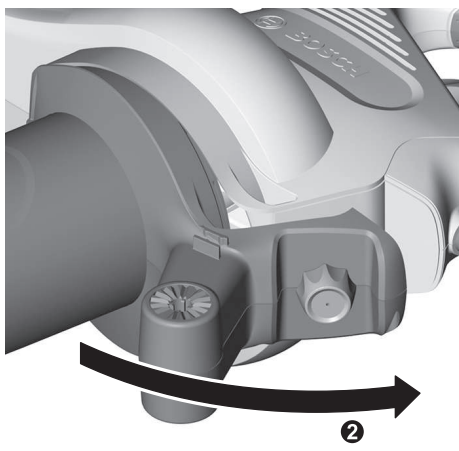
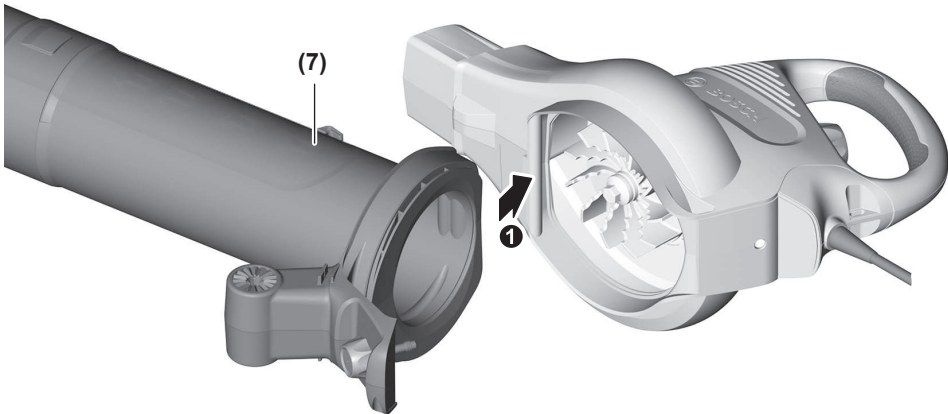
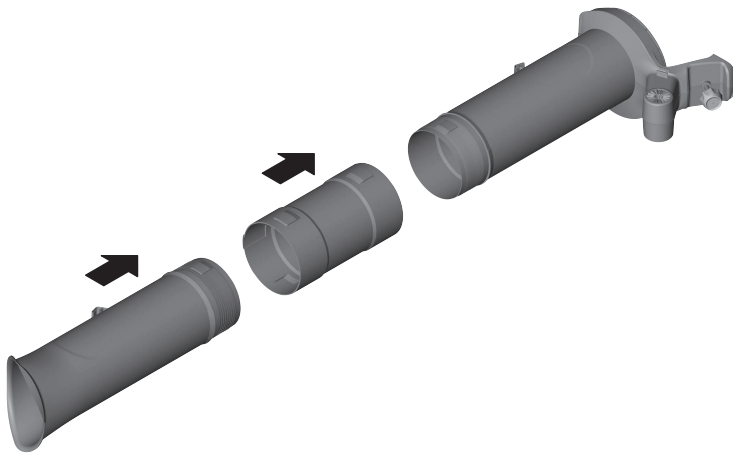


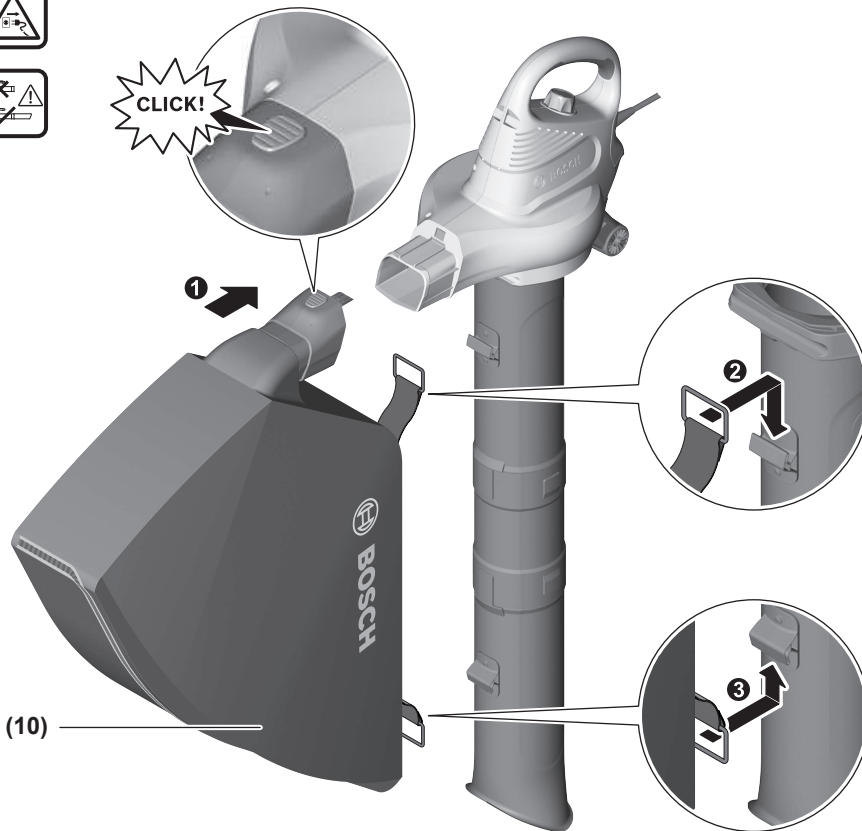
**C****I****O**



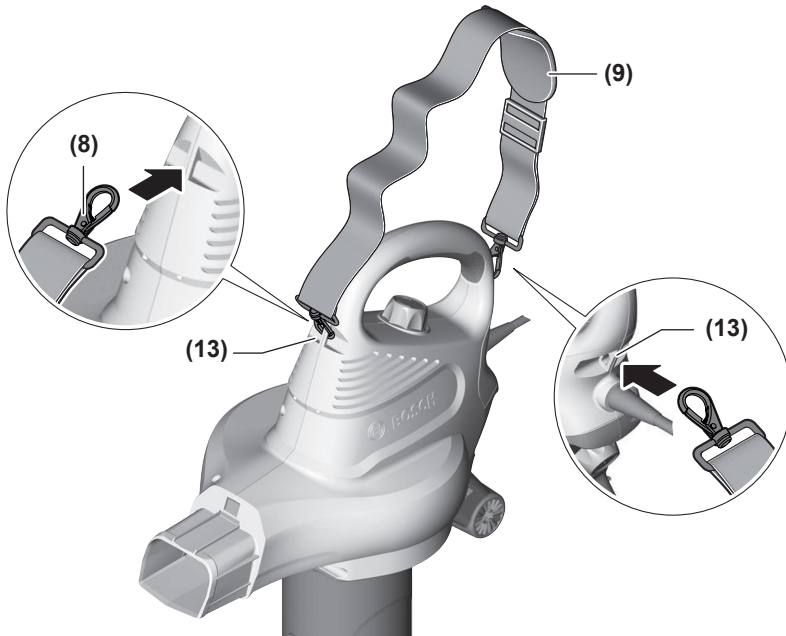
**E**

**F**

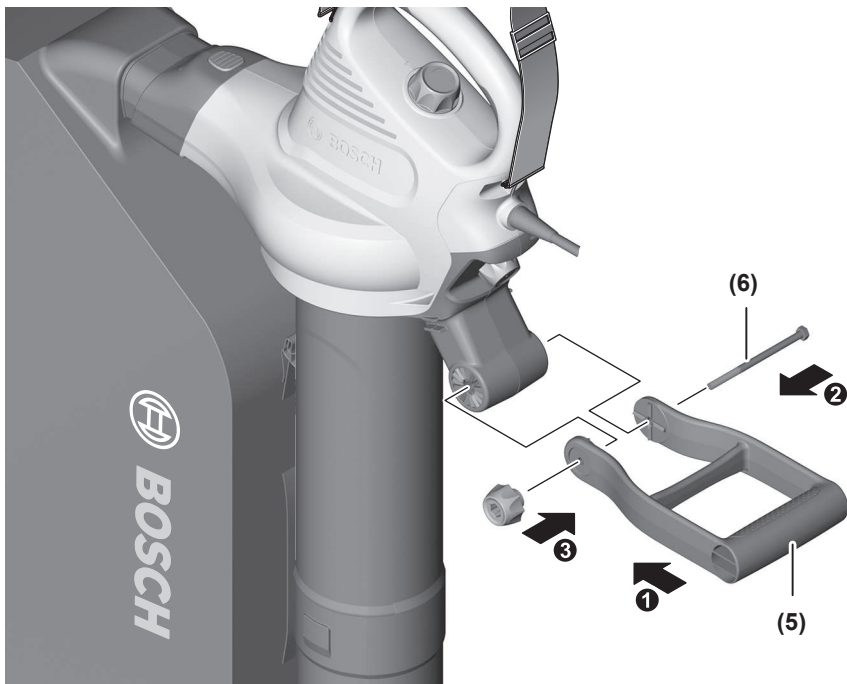


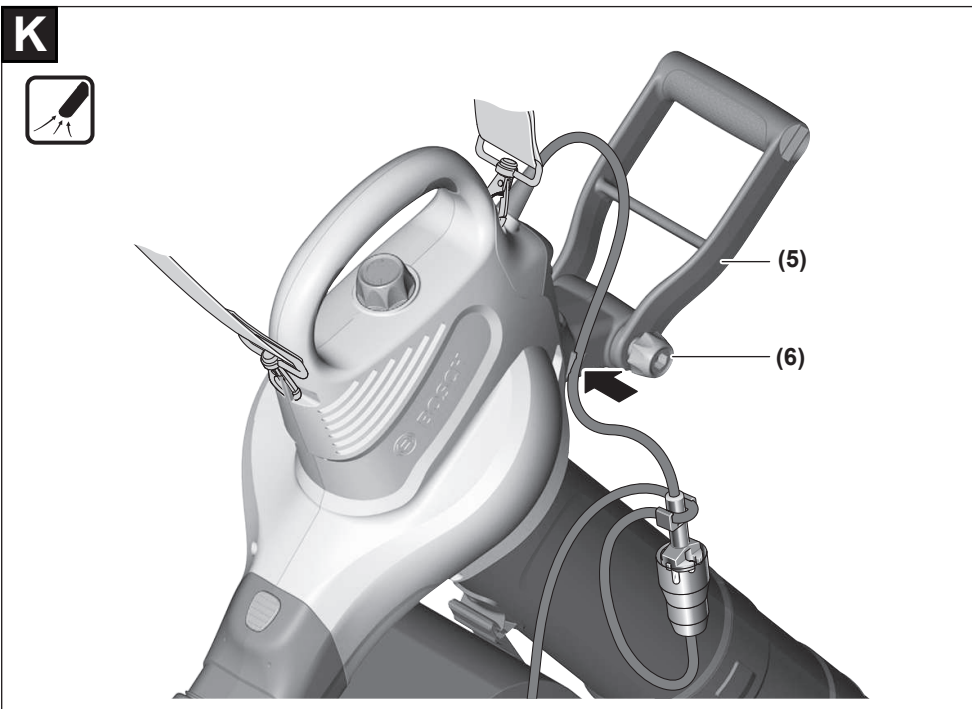
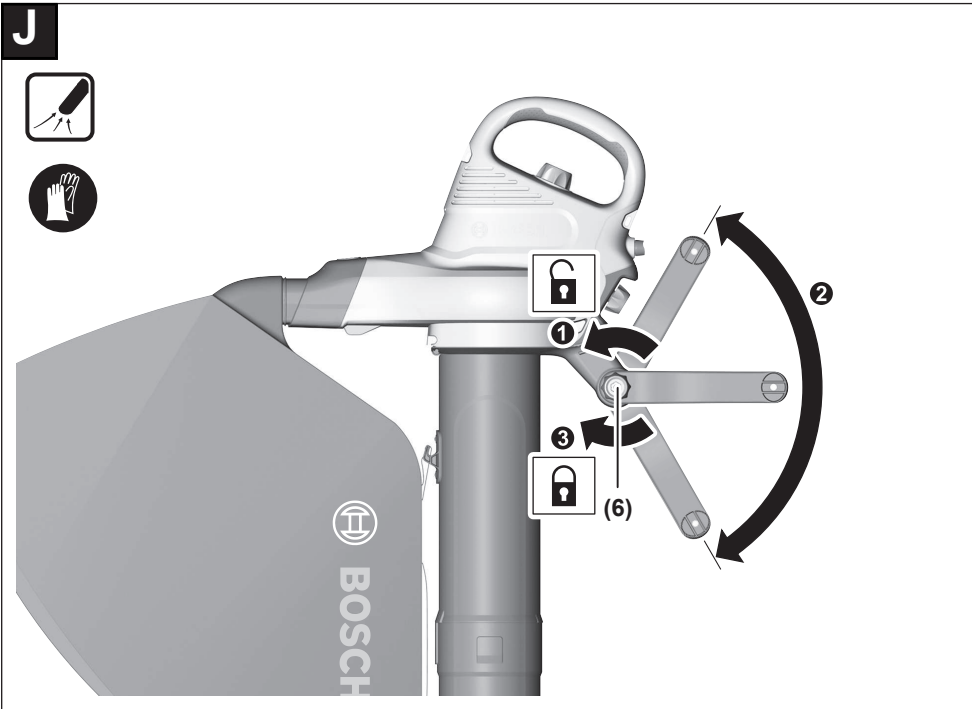
**G**

**H**

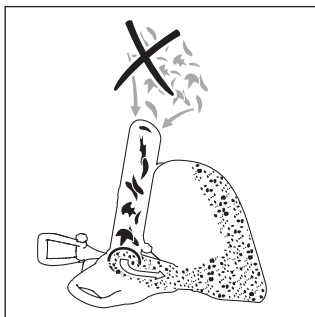
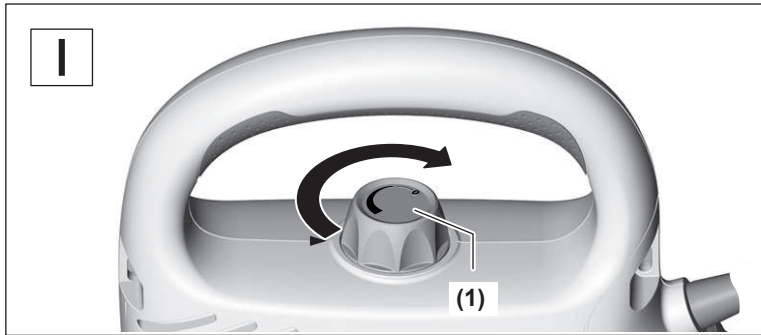


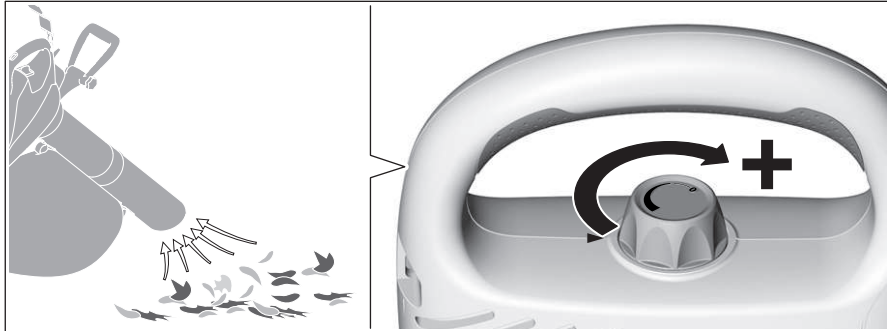
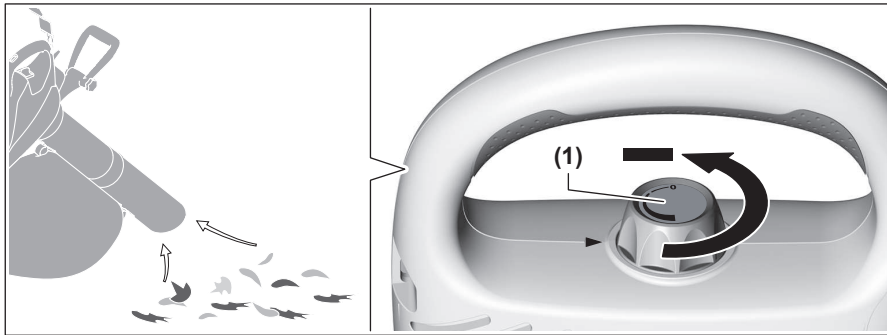
**I**



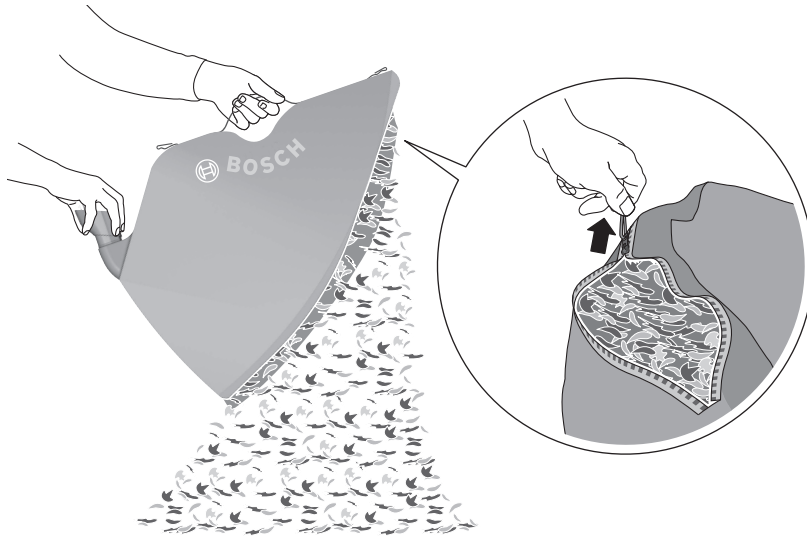
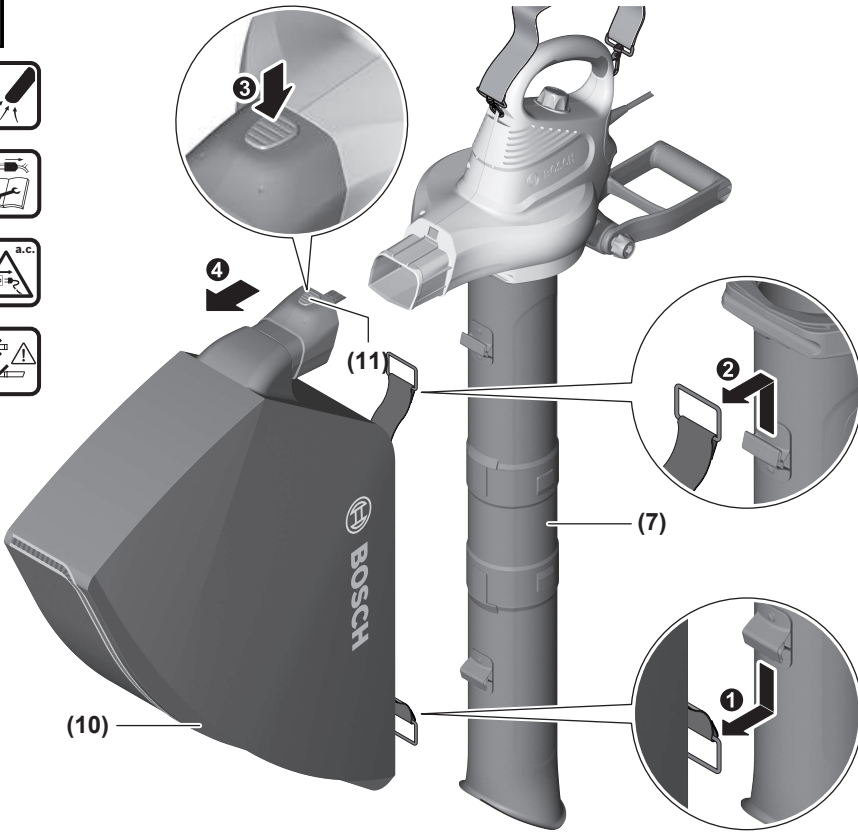


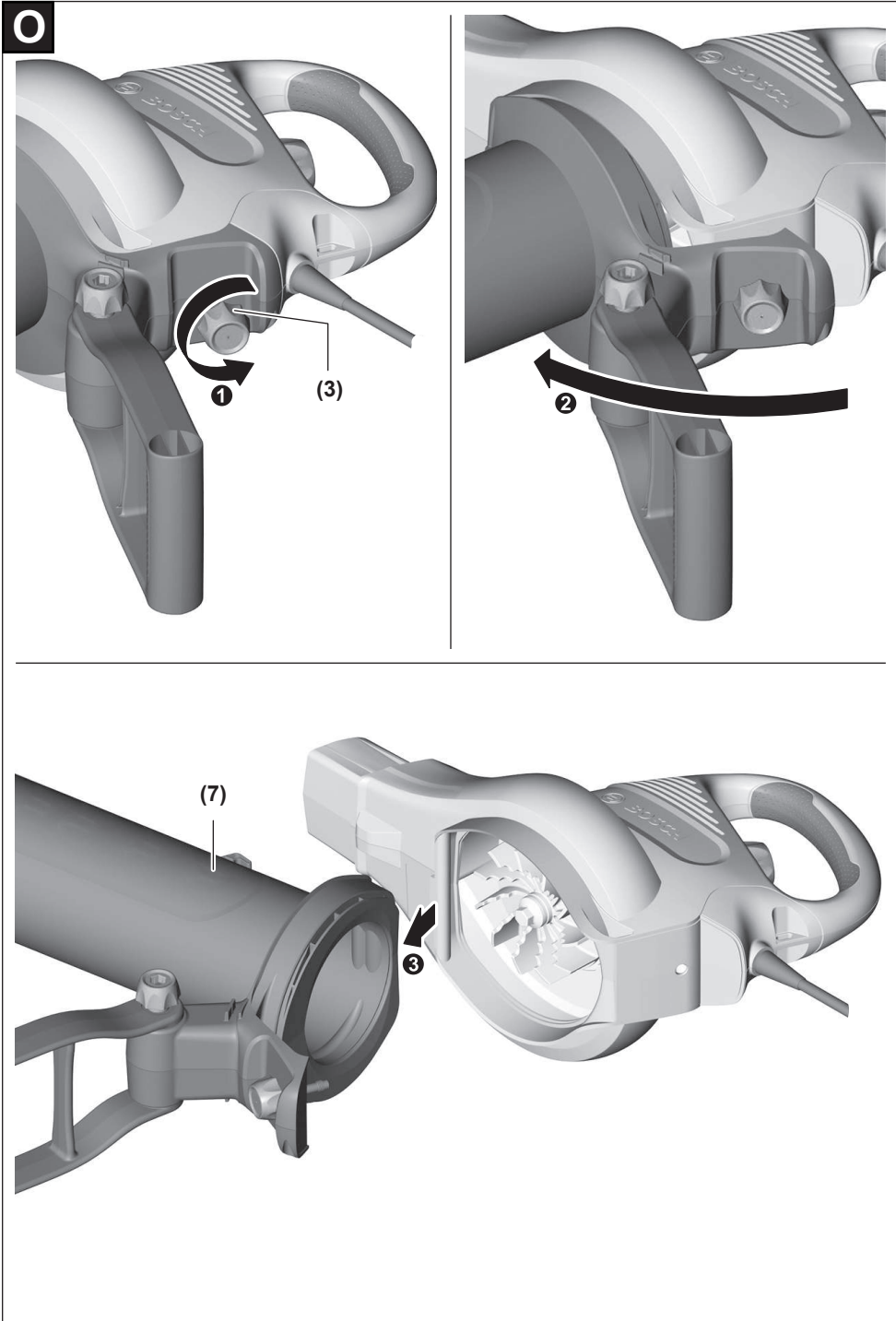
**L**



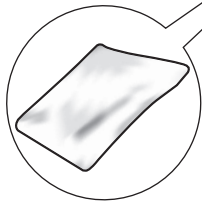
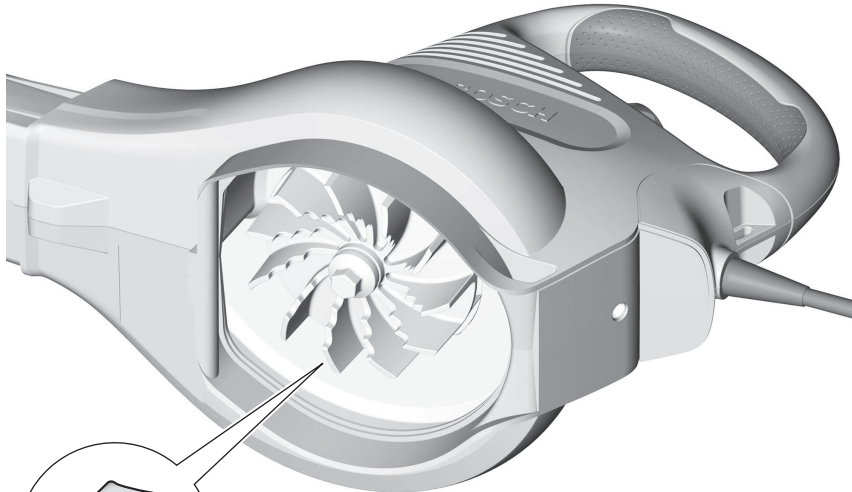
**M**

**N**

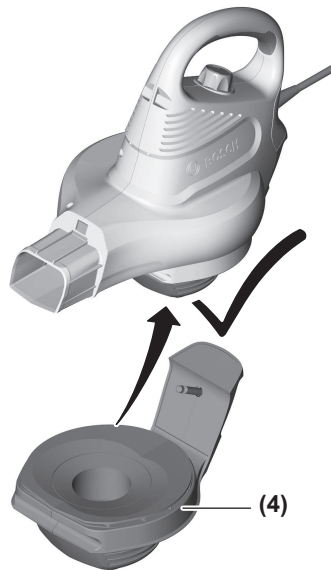




**P**



**Q**





<b>de</b>	<b>EU-Konformitätserklärung</b> <b>Laubgebläse/Gar-</b> <b>tensauger</b>	Sachnummer	Wir erklären in alleiniger Verantwortung, dass die genannten Produkte allen einschlägigen Bestimmungen der nachfolgend aufgeführten Richtlinien und Verordnungen entsprechen und mit folgenden Normen übereinstimmen.
<b>en</b>	<b>EU Declaration of Conformity</b> <b>Leaf blower/Garden Va-</b> <b>cuum Cleaner</b>	Article number	We declare under our sole responsibility that the stated products comply with all applicable provisions of the directives and regulations listed below and are in conformity with the following standards.
<b>fr</b>	<b>Déclaration de conformité UE</b> <b>Souffleur/aspirateur-</b> <b>souffleur</b>	N° d'article	Nous déclarons sous notre propre responsabilité que les produits décrits sont en conformité avec les directives, règlements normatifs et normes énumérés ci-dessous.
<b>es</b>	<b>Declaración de conformidad UE</b> <b>Soplador de hojarasca/</b> <b>aspirador para jardín</b>	Nº de artículo	Declaramos bajo nuestra exclusiva responsabilidad, que los productos nombrados cumplen con todas las disposiciones correspondientes de las Directivas y los Reglamentos mencionados a continuación y están en conformidad con las siguientes normas.
<b>pt</b>	<b>Declaração de Conformidade UE</b> <b>Soprador de folhas/</b> <b>aspirador de jardim</b>	N.º do produto	Declaramos sob nossa exclusiva responsabilidade que os produtos mencionados cumprem todas as disposições e os regulamentos indicados e estão em conformidade com as seguintes normas.
<b>it</b>	<b>Dichiarazione di conformità UE</b> <b>Soffiatore per foglie/</b> <b>aspiratore da giardino</b>	Codice prodotto	Dichiariamo sotto la nostra piena responsabilità che i prodotti indicati sono conformi a tutte le disposizioni pertinenti delle Direttive e dei Regolamenti elencati di seguito, nonché alle seguenti Normative.
<b>nl</b>	<b>EU-conformiteitsverklaring</b> <b>Bladblazer/tuinzuiger</b>	Productnummer	Wij verklaren op eigen verantwoordelijkheid dat de genoemde producten voldoen aan alle desbetreffende bepalingen van de hierna genoemde richtlijnen en verordeningen en overeenstemmen met de volgende normen.
<b>da</b>	<b>EU-overensstemmelseserklæring</b> <b>Løvbłæser/havesuger</b>	Typenummer	Vi erklærer som eneansvarlige, at det beskrevne produkt er i overensstemmelse med alle gældende bestemmelser i følgende direktiver og forordninger og opfylder følgende standarder.
<b>sv</b>	<b>EU-konformitetsförklaring</b> <b>Lövbłås/trädgårdssuga-</b> <b>re</b>	Produktnummer	Vi förklarar under eget ansvar att de nämnda produkterna uppfyller kraven i alla gällande bestämmelser i de nedan angivna direktiven och förordningarnas och att de stämmer överens med följande normer.
<b>no</b>	<b>EU-samsvarserklæring</b> <b>Løvbłæser/hagesuger</b>	Produktnummer	Vi erklærer under eneansvar at de nevnte produktene er i overensstemmelse med alle relevante bestemmelser i direktivene og forordningene nedenfor og med følgende standarder.
<b>fi</b>	<b>EU-vaatimustenmukaisuusvakuutus</b> <b>Lehtipuhallin/puutar-</b> <b>haimuri</b>	Tuotenumero	Vakuutamme täten, että mainitut tuotteet vastaavat kaikkia seuraavien direktiivien ja asetusten asiaankuuluvia vaatimuksia ja ovat seuraavien standardien vaatimusten mukaisia.
<b>el</b>	<b>Δήλωση πιστότητας ΕΕ</b> <b>Φοσητήρας φύλλων /</b> <b>αποροφητήρας κήπου</b>	Αριθμός ευρετηρίου	Δηλώνουμε με αποκλειστική μας ευθύνη, ότι τα αναφερόμενα προϊόντα αντιστοιχούν σε όλες τις σχετικές διατάξεις των πιο κάτω αναφερόμενων οδηγιών και κανονισμών και ταυτίζονται με τα ακόλουθα πρότυπα.
<b>tr</b>	<b>AB Uygunluk beyanı</b> <b>Yaprak üfleme makine-</b> <b>si/ bahçe süpürgesi</b>	Ürün kodu	Tek sorumlu olarak, tanımlanan ürünün aşağıdaki yönetmelik ve direktiflerin geçerli bütün hükümlerine ve aşağıdaki standartlara uygun olduğunu beyan ederiz.
<b>pl</b>	<b>Deklaracja zgodności UE</b> <b>Dmuchawa do liści/od-</b> <b>kurzacz ogrodowy</b>	Numer katalogowy	Oświadczamy z pełną odpowiedzialnością, że niniejsze produkty odpowiadają wszystkim wymaganiom poniżej wyszczególnionych dyrektyw i rozporządzeń, oraz że są zgodne z następującymi normami.

<b>cs</b>	<b>EU prohlášení oshodě</b> <b>Fukar listí/zahradní vysavač</b>	Objednací číslo	Prohlašujeme na výhradní zodpovědnost, že uvedený výrobek splňuje všechna příslušná ustanovení níže uvedených směrníc a nařízení a je v souladu s následujícími normami.*
<b>sk</b>	<b>EÚ vyhlásenie ozhode</b> <b>Odfukovač listia / záhradný vysávač</b>	Vecné číslo	Vyhlasujeme na výhradnú zodpovednosť, že uvedený výrobok spĺňa všetky príslušné ustanovenia nižšie uvedených smerníc a nariadení a je v súlade s nasledujúcimi normami:
<b>hu</b>	<b>EU konformitási nyilatkozat</b> <b>Lombfúvó / kerti elszívó</b>	Cikkszám	Egyedüli felelősséggel kijelentjük, hogy a megnevezett termék megfelelnek az alábbiakban felsorolásra kerülő irányelvek és rendeletek valamennyi idevágó előírásainak és megfelelnek a következő szabványoknak.
<b>ru</b>	<b>Заявление о соответствии ЕС</b> <b>Воздуходувка/ садовый пылесос</b>	Товарный №	Мы заявляем под нашу единоличную ответственность, что названные продукты соответствуют всем действующим предписаниям нижеуказанных директив и распоряжений, а также нижеуказанных норм.
<b>uk</b>	<b>Заява про відповідність ЄС</b> <b>Повітродувка/садовий пилосос</b>	Товарний номер	Мизаявляємо під нашу одноособову відповідальність, що названі вироби відповідають усім чинним положенням нищезначених директив і розпоряджень, а також нищезначеним нормам.
<b>kk</b>	<b>EO сәйкестік мағлұмдамасы</b> <b>Жапырақтар мен шөпті ауамен үрлеп жинағыш / Бақ үшін сорғыш құралы</b>	Өнім нөмірі	Өз жауапкершілікпен біз аталған өнімдер төменде жзылған директикалар мен жарлықтардың тиісті қағидаларына сәйкестігін және төмендегі нормаларға сай екенін білдіреміз.
<b>ro</b>	<b>Declarație de conformitate UE</b> <b>Suflantă de frunze/aspirator de grădină</b>	Număr de identificare	Declarăm pe proprie răspundere că produsele menționate corespund tuturor dispozițiilor relevante ale directivelor și regulamentărilor enumerate în cele ce urmează și sunt în conformitate cu următoarele standarde.
<b>bg</b>	<b>ЕС декларация за съответствие</b> <b>Машина за издухване на шума / градинска прахосмукачка</b>	Каталожен номер	С пълна отговорност ние декларираме, че посочените продукти отговарят на всички валидни изисквания на директивите и разпоредбите по-долу и съответства на следните стандарти.
<b>mk</b>	<b>EU-Изјава за сообразност</b> <b>Дувалка/Смукалка за двор</b>	Број на дел/артикл	Со целосна одговорност изјавуваме, дека опишаните производи се во согласност со сите релевантни одредби на следните регулативи и прописи и се во согласност со следните норми.
<b>sr</b>	<b>EU-izjava o usaglašenosti</b> <b>Duvač lišća/baštenski usisivač</b>	Broj predmeta	Na sopstvenu odgovornost izjavljujemo, da navedeni proizvodi odgovaraju svim dotičnim odredbama naknadno navedenih smernica u uredaba i da su u skladu sa sledećim standardima.
<b>sl</b>	<b>Izjava o skladnosti EU</b> <b>Puhalnik/vrtni sesalnik</b>	Številka artikla	Izjavljamo pod izključno odgovornostjo, da je omenjen izdelek v skladu z vsemi relevantnimi določili direktiv in uredb ter ustreza naslednjim standardom.
<b>hr</b>	<b>EU izjava o skladnosti</b> <b>Puhač lišća / vrtni usisivač</b>	Kataloški br.	Pod punom odgovornošću izjavljujemo da navedeni proizvodi odgovaraju svim relevantnim odredbama direktiva i propisima navedenima u nastavku i da su skladni sa sljedećim normama.
<b>et</b>	<b>EL-vastavusdeklaratsioon</b> <b>Lehepuhur / imur</b>	Tootenumber	Kinnitame ainuvastutatatena, et nimetatud tooted vastavad järgnevalt loetletud direktiivide ja määruste kõikidele asjaomastele nõuetele ja on kooskõlas järgmiste normidega.
<b>lv</b>	<b>Deklarācija par atbilstību ES standartiem</b> <b>Lapu aizpūtējs / dārza vakuumsūcējs</b>	Izstrādājuma numurs	Mēs ar pilnu atbildību paziņojam, ka šeit aplūkoti izstrādājumi atbilst visiem tālāk minētajās direktīvās un rīkojumos ietvertajām saistošajām nostādņēm, kā arī sekojošiem standartiem.

<b>lt</b>	<b>ES atitikties deklaracija</b>	Atsakingai pareiškiame, kad išvardyti gaminiai atitinka visus privalomus žemiau nurodytų direktyvų ir reglamentų reikalavimus ir šiuos standartus.
	<b>Lapų pūstuvai / sodo siurblys</b>	Gaminio numeris

<b>UniversalGardenTidy</b>	<b>3 600 HB1 000</b>	2006/42/EC 2014/30/EU 2011/65/EU 2000/14/EC
	<b>3 600 HB1 030</b>	
	<b>3 600 HB1 070</b>	
<b>UniversalGardenTidy 2300</b>	<b>3 600 HB1 002</b>	EN 60335-1:2012+A11:2014+A13:2017 +A1:2019+A2:2019+A14:2019
	<b>3 600 HB1 032</b>	EN 50636-2-100: 2014
	<b>3 600 HB1 072</b>	EN 55014-1:2017+A11:2020 EN 55014-2:2015
<b>UniversalGardenTidy 3000</b>	<b>3 600 HB1 001</b>	EN IEC 61000-3-2:2019
	<b>3 600 HB1 041</b>	EN61000-3-3:2013+A1:2019
	<b>3 600 HB1 071</b>	EN IEC 63000:2018

<b>de</b>	<p><b>Laubsaug-Modus:</b> 2000/14/EG: Gemessener Schalleistungspegel <b>98 dB(A)</b>, Unsicherheit K = <b>2.5 dB</b>, garantierter Schalleistungspegel <b>99 dB(A)</b></p> <p><b>Laubblas-Modus:</b> 2000/14/EG: Gemessener Schalleistungspegel <b>96 dB(A)</b>, Unsicherheit K = <b>2.5 dB</b>, garantierter Schalleistungspegel <b>97 dB(A)</b></p> <p>Bewertungsverfahren der Konformität gemäß Anhang V. Produktkategorie: <b>34, 35</b> Technische Unterlagen bei: *</p>
<b>en</b>	<p><b>Vacuum Mode:</b> 2000/14/EC: Measured sound power level <b>98 dB(A)</b>, uncertainty K = <b>2.5 dB</b>, guaranteed sound power level <b>99 dB(A)</b></p> <p><b>Blow Mode:</b> 2000/14/EC: Measured sound power level <b>96 dB(A)</b>, uncertainty K = <b>2.5 dB</b>, guaranteed sound power level <b>97 dB(A)</b></p> <p>Conformity assessment procedure in accordance with annex V. Product category: <b>34, 35</b> Technical file at: *</p>
<b>fr</b>	<p><b>Mode aspirer:</b> 2000/14/CE : niveau de puissance acoustique mesuré <b>98 dB(A)</b>, incertitude K = <b>2.5 dB</b>, niveau de puissance acoustique garanti <b>99 dB(A)</b></p> <p><b>Mode souffler:</b> 2000/14/CE : niveau de puissance acoustique mesuré <b>96 dB(A)</b>, incertitude K = <b>2.5 dB</b>, niveau de puissance acoustique garanti <b>97 dB(A)</b></p> <p>Procédure d'évaluation de conformité selon l'annexe V. Catégorie de produit : <b>34, 35</b> Dossier technique auprès de : *</p>
<b>es</b>	<p><b>Modo de aspiración:</b> 2000/14/CE: nivel medido de la potencia acústica <b>98 dB(A)</b>, tolerancia K = <b>2.5 dB</b>, nivel garantizado de la potencia acústica <b>99 dB(A)</b></p> <p><b>Modo de soplado:</b> 2000/14/CE: nivel medido de la potencia acústica <b>96 dB(A)</b>, tolerancia K = <b>2.5 dB</b>, nivel garantizado de la potencia acústica <b>97 dB(A)</b></p> <p>Método de evaluación de la conformidad según anexo V. Categoría de producto: <b>34, 35</b> Documentos técnicos de: *</p>
<b>pt</b>	<p><b>Modo para aspirar folhagem:</b> 2000/14/CE: Nível de potência acústica medido <b>98 dB(A)</b>, insegurança K = <b>2.5 dB</b>, nível de potência acústica garantido <b>99 dB(A)</b></p> <p><b>Modo para soprar folhagem:</b> 2000/14/CE: Nível de potência acústica medido <b>96 dB(A)</b>, insegurança K = <b>2.5 dB</b>, nível de potência acústica garantido <b>97 dB(A)</b></p> <p>Processo de avaliação da conformidade de acordo com o anexo V. Categoria de produto: <b>34, 35</b> Documentação técnica pertencente à: *</p>
<b>it</b>	<p><b>Modalità aspirazione foglie:</b> 2000/14/CE: livello di potenza sonora misurato <b>98 dB(A)</b>, incertezza K = <b>2.5 dB</b>, livello di potenza sonora garantito <b>99 dB(A)</b></p> <p><b>Modalità soffiatura foglie:</b> 2000/14/CE: livello di potenza sonora misurato <b>96 dB(A)</b>, incertezza K = <b>2.5 dB</b>, livello di potenza sonora garantito <b>97 dB(A)</b></p> <p>Procedimento di valutazione della conformità secondo l'Allegato V. Categoria prodotto: <b>34, 35</b> Documentazione Tecnica presso: *</p>
<b>nl</b>	<p><b>Gebruik als bladzuiger:</b> 2000/14/EG: gemeten geluidsvermogensniveau <b>98 dB(A)</b>, onzekerheid K = <b>2.5 dB</b>, gegarandeerd geluidsvermogensniveau <b>99 dB(A)</b></p> <p><b>Gebruik als bladblazer:</b> 2000/14/EG: gemeten geluidsvermogensniveau <b>96 dB(A)</b>, onzekerheid K = <b>2.5 dB</b>, gegarandeerd geluidsvermogensniveau <b>97 dB(A)</b></p> <p>Beoordelmethode van de overeenstemming volgens bijlage V. Productcategorie: <b>34, 35</b> Technisch dossier bij: *</p>
<b>da</b>	<p><b>Løvsuge-funktion:</b> 2000/14/EF: Målt lydeffektniveau <b>98 dB(A)</b>, usikkerhed K = <b>2.5 dB</b>, garanteret lydeffektniveau <b>99 dB(A)</b></p> <p><b>Løvblåse-funktion:</b> 2000/14/EF: Målt lydeffektniveau <b>96 dB(A)</b>, usikkerhed K = <b>2.5 dB</b>, garanteret lydeffektniveau <b>97 dB(A)</b></p> <p>Overensstemmelsesvurderingsprocedure som omhandlet i bilag V. Produktkategori: <b>34, 35</b> Tekniske bilag ved: *</p>

<b>sv</b>	<p><b>Lövsugläge:</b> 2000/14/EG: Uppmätt bullernivå <b>98</b> dB(A), osäkerhet K = <b>2.5</b> dB, garanterad bullernivå <b>99</b> dB(A)</p> <p><b>Lövläsläge:</b> 2000/14/EG: Uppmätt bullernivå <b>96</b> dB(A), osäkerhet K = <b>2.5</b> dB, garanterad bullernivå <b>97</b> dB(A)</p> <p>Konformitetens bedömningsmetod enligt bilaga V. Produktkategori: <b>34, 35</b></p> <p>Teknisk dokumentation: *</p>
<b>no</b>	<p><b>Løvsugings-modus:</b> 2000/14/EC: Målt lydeffektnivå <b>98</b> dB(A), usikkerhet K = <b>2.5</b> dB, garantert lydeffektnivå <b>99</b> dB(A)</p> <p><b>Løvlåslings-modus:</b> 2000/14/EC: Målt lydeffektnivå <b>96</b> dB(A), usikkerhet K = <b>2.5</b> dB, garantert lydeffektnivå <b>97</b> dB(A)</p> <p>Samsvarsvurderingsmetode i henhold til vedlegg V. Produktkategori: <b>34, 35</b></p> <p>Teknisk dokumentasjon hos: *</p>
<b>fi</b>	<p><b>Lehti-imurointitila:</b> 2000/14/EY: mitattu äänitehotaso <b>98</b> dB(A), epävarmuus K = <b>2.5</b> dB, taattu äänitehotaso <b>99</b> dB(A)</p> <p><b>Lehtipuhallustila:</b> 2000/14/EY: mitattu äänitehotaso <b>96</b> dB(A), epävarmuus K = <b>2.5</b> dB, taattu äänitehotaso <b>97</b> dB(A)</p> <p>Vaatumusten mukaisuuden arviointimenetelmä liitteen V mukaisesti. Tuotekategoria: <b>34, 35</b></p> <p>Tekniset asiakirjat saatavana: *</p>
<b>el</b>	<p><b>Λειτουργία αναρρόφησης φύλλων:</b> 2000/14/EK: Μετρημένη στάθμη ηχητικής ισχύος <b>98</b> dB(A), ανασφάλεια K = <b>2.5</b> dB, εγγυημένη στάθμη ηχητικής ισχύος <b>99</b> dB(A).</p> <p><b>Λειτουργία φυσήματος φύλλων:</b> 2000/14/EK: Μετρημένη στάθμη ηχητικής ισχύος <b>96</b> dB(A), ανασφάλεια K = <b>2.5</b> dB, εγγυημένη στάθμη ηχητικής ισχύος <b>97</b> dB(A).</p> <p>Διαδικασία αξιολόγησης της πιστότητας σύμφωνα με το παράρτημα V. Κατηγορία προϊόντος: <b>34, 35</b></p> <p>Τεχνικά έγγραφα στη:</p>
<b>tr</b>	<p><b>Yaprak emme modu:</b> 2000/14/EC: Ölçülen ses gücü seviyesi <b>98</b> dB(A), tolerans K = <b>2.5</b> dB, garanti edilen ses gücü seviyesi <b>99</b> dB(A)</p> <p><b>Yaprak üfleme modu:</b> 2000/14/EC: Ölçülen ses gücü seviyesi <b>96</b> dB(A), tolerans K = <b>2.5</b> dB, garanti edilen ses gücü seviyesi <b>97</b> dB(A)</p> <p>Uygunluk değerlendirme yöntemi ek V uyarınca. Ürün kategorisi: <b>34, 35</b></p> <p>Teknik belgelerin bulunduğu yer:</p>
<b>pl</b>	<p><b>Tryb zasysania liści:</b> 2000/14/WE: pomierzony poziom mocy akustycznej <b>98</b> dB(A), niepewność K = <b>2.5</b> dB, gwarantowany poziom mocy akustycznej <b>99</b> dB(A)</p> <p><b>Tryb zdmuchiwania liści:</b> 2000/14/WE: pomierzony poziom mocy akustycznej <b>96</b> dB(A), niepewność K = <b>2.5</b> dB, gwarantowany poziom mocy akustycznej <b>97</b> dB(A)</p> <p>Procedura oceny zgodności zgodnie z załącznikiem V. Kategoria produktów: <b>34, 35</b></p> <p>Dokumentacja techniczna: *</p>
<b>cs</b>	<p><b>Režim nasávání listí:</b> 2000/14/ES: změřená hladina akustického výkonu <b>98</b> dB(A), nejistota K = <b>2.5</b> dB, zaručená hladina akustického výkonu <b>99</b> dB(A)</p> <p><b>Režim foukání listí:</b> 2000/14/ES: změřená hladina akustického výkonu <b>96</b> dB(A), nejistota K = <b>2.5</b> dB, zaručená hladina akustického výkonu <b>97</b> dB(A)</p> <p>Metoda posouzení shody podle dodatku V. Kategorie výrobku: <b>34, 35</b></p> <p>Technické podklady u: *</p>
<b>sk</b>	<p><b>Pracovný režim vysávanie listia:</b> 2000/14/ES: odmeraná hladina akustického výkonu <b>98</b> dB(A), neistota K = <b>2.5</b> dB, zaručená hladina akustického výkonu <b>99</b> dB(A)</p> <p><b>Pracovný režim odfukovanie listia:</b> 2000/14/ES: odmeraná hladina akustického výkonu <b>96</b> dB(A), neistota K = <b>2.5</b> dB, zaručená hladina akustického výkonu <b>97</b> dB(A)</p> <p>Metóda posúdenia zhody podľa dodatku V. Kategória výrobku: <b>34, 35</b></p> <p>Technické podklady má spoločnosť: *</p>
<b>hu</b>	<p><b>Lombelszívó üzemmód:</b> 2000/14/EK: Mért hangteljesítmény-szint <b>98</b> dB(A), szórás K = <b>2.5</b> dB, garantált hangteljesítmény-szint <b>99</b> dB(A)</p>

**Lombfúvó üzemmód:** 2000/14/EK: Mért hangteljesítmény-szint **96** dB(A), szórási K = **2.5** dB, garantált hangteljesítmény-szint **97** dB(A)

A konformitás kiértékelési eljárást lásd a **V** Függelékben. Termékkategória: **34, 35**

Műszaki dokumentumok megőrzési pontja: \*

**ru** **Режим всасывания:** 2000/14/ЕС: Измеренный уровень звуковой мощности **98** дБ(А), погрешность K = **2.5** дБ, гарантированный уровень звуковой мощности **99** дБ(А)

**Режим сдувания листьев:** 2000/14/ЕС: Измеренный уровень звуковой мощности **96** дБ(А), погрешность K = **2.5** дБ, гарантированный уровень звуковой мощности **97** дБ(А)

Процедура оценки соответствия согласно приложения **V**. Категория продукта: **34, 35**

Техническая документация хранится у: \*

**uk** **Режим всмоктування:** 2000/14/ЕС: виміряна звукова потужність **98** дБ(А), похибка K = **2.5** дБ, гарантована звукова потужність **99** дБ(А)

**Режим здування листя:** 2000/14/ЕС: виміряна звукова потужність **96** дБ(А), похибка K = **2.5** дБ, гарантована звукова потужність **97** дБ(А)

Процедура оцінки відповідності відповідно до додатку **V**. Категорія продукту: **34, 35**

Технічна документація зберігається у: \*

**kk** **Жапырақтар мен шөпті сору режимі:** 2000/14/ЕС: Өлшелген дыбыс қаттылығы **98** дБ(А), дәлсіздік K = **2.5** дБ, кепілденген дыбыс қаттылығы **99** дБ(А)

**Ауа үрлеу режимі:** 2000/14/ЕС: Өлшелген дыбыс қаттылығы **96** дБ(А), дәлсіздік K = **2.5** дБ, кепілденген дыбыс қаттылығы **97** дБ(А)

Сәйкестікті анықтау әдісі **V** тіркелгісі бойынша. Өнім санаты: **34, 35**

Техникалық құжаттар: \*

**ro** **Modul de aspirare a frunzelor:** 2000/14/CE: Nivel măsurat al puterii sonore **98** dB(A), incertitudine K = **2.5** dB, nivel garantat al puterii sonore **99** dB(A)

**Modul de suflare a frunzelor:** 2000/14/CE: Nivel măsurat al puterii sonore **96** dB(A), incertitudine K = **2.5** dB, nivel garantat al puterii sonore **97** dB(A)

Procedură de evaluare a conformității potrivit Anexei **V**. Categorie produse: **34, 35**

Documentație tehnică la: \*

**bg** **Режим на засмукване на шума:** 2000/14/EO: измерено ниво на звуковата мощност **98** dB(A), неопределеност K = **2.5** dB, гарантирано ниво на мощността на звука **99** dB(A)

**Режим на издухване на шума:** 2000/14/EO: измерено ниво на звуковата мощност **96** dB(A), неопределеност K = **2.5** dB, гарантирано ниво на мощността на звука **97** dB(A)

Метод за оценка на съответствието съгласно приложение **V**. Категория продукт: **34, 35**

Техническа документация при: \*

**mk** **Модул за смукање:** 2000/14/ЕС: Измерено ниво на звучна јачина **98** dB(A), несигурност K = **2.5** dB, загарантирано ниво на звучна јачина **99** dB(A)

**Модул за дување:** 2000/14/ЕС: Измерено ниво на звучна јачина **96** dB(A), несигурност K = **2.5** dB, загарантирано ниво на звучна јачина **97** dB(A)

Постапка за процена на сообразноста според прилог **V**. Категорија на производ: **34, 35**

Техничка документација кај: \*

**sr** **Režim usisavanja lišća:** 2000/14/EC: izmereni nivo ostvarene buke **98** dB(A), nepouzdanost K = **2.5** dB, garantovani nivo ostvarene buke **99** dB(A)

**Režim ooduvavanja lišća:** 2000/14/EC: izmereni nivo ostvarene buke **96** dB(A), nepouzdanost K = **2.5** dB, garantovani nivo ostvarene buke **97** dB(A)

Postupak ocenjivanja usaglašenosti prema prilogu **V**. Kategorija proizvoda: **34, 35**

Tehnička dokumentacija kod: \*

**sl** **Modus sesanje listja:** 2000/14/ES: Izmerjena raven zvočne moči **98** dB(A), negotovost K = **2.5** dB, zagotovljena raven zvočne moči **99** dB(A)

**Modus puhanje listja:** 2000/14/ES: Izmerjena raven zvočne moči **96 dB(A)**, negotovost  $K = 2.5$  dB, zagotovljena raven zvočne moči **97 dB(A)**

Postopek za presojo skladnosti v skladu s prilogo **V**. Kategorija izdelka: **34, 35**  
Tehnična dokumentacija pri: \*

**hr Način rada za usisavanje lišča:** 2000/14/EZ: Izmerjena razina učinka buke **98 dB(A)**, nesigurnost  $K = 2.5$  dB, zadržana razina učinka buke **99 dB(A)**

**Način rada za otpuhivanje lišča:** 2000/14/EZ: Izmerjena razina učinka buke **96 dB(A)**, nesigurnost  $K = 2.5$  dB, zadržana razina učinka buke **97 dB(A)**

Postupak ocjenjivanja sukladnosti prema dodatku **V**. Kategorija proizvoda: **34, 35**  
Tehnička dokumentacija se može dobiti kod: \*

**et Imirežiim:** 2000/14/EÜ: Mõõdetud helivõimsustase **98 dB(A)**, mõõtemääramatus  $K = 2.5$  dB, garanteeritud helivõimsustase **99 dB(A)**

**Puhumisrežiim:** 2000/14/EÜ: Mõõdetud helivõimsustase **96 dB(A)**, mõõtemääramatus  $K = 2.5$  dB, garanteeritud helivõimsustase **97 dB(A)**

Vastavuse hindamise meetod vastavalt lisale **V**. Tootekategooria: **34, 35**  
Tehnilised dokumendid saadaval: \*

**lv Lapu uzsūkšanas režīms:** 2000/14/EK: izmērītais trokšņa jaudas līmenis ir **98 dB(A)**, izkliede  $K$  ir  $= 2.5$  dB, garantētais trokšņa jaudas līmenis ir **99 dB(A)**

**Lapu aizpūšanas režīms:** 2000/14/EK: izmērītais trokšņa jaudas līmenis ir **96 dB(A)**, izkliede  $K$  ir  $= 2.5$  dB, garantētais trokšņa jaudas līmenis ir **97 dB(A)**

Atbilstības novērtēšana ir veikta saskaņā ar pielikumu **V**. Izstrādājuma kategorija: **34, 35**  
Tehniskā dokumentācija no: \*

**it Lapu siurbimo režimas:** 2000/14/EB: išmatuotas garso galios lygis **98 dB(A)**, paklaida  $K = 2.5$  dB, garantuotas garso galios lygis **99 dB(A)**

**Lapu pūtimo režimas:** 2000/14/EB: išmatuotas garso galios lygis **96 dB(A)**, paklaida  $K = 2.5$  dB, garantuotas garso galios lygis **97 dB(A)**

Atitikties vertinimas atliktas pagal priedą **V**. Gaminio kategorija: **34, 35**  
Techninė dokumentacija saugoma: \*



**BOSCH**

\* Robert Bosch Power Tools GmbH,  
PT/ECS, 70538 Stuttgart, GERMANY

Henk Becker  
Chairman of Executive  
Management

Helmut Heinzelmann  
Head of Product Certification

*Henk Becker* i. V. *Helmut Heinzelmann*

Robert Bosch Power Tools GmbH, 70538 Stuttgart, GERMANY  
Stuttgart, **17.09.2020**