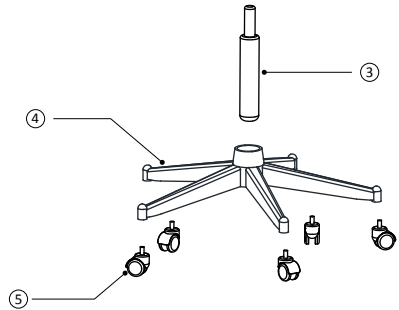
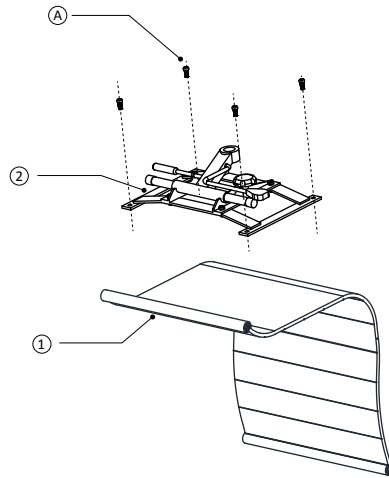


ASSEMBLY INSTRUCTION

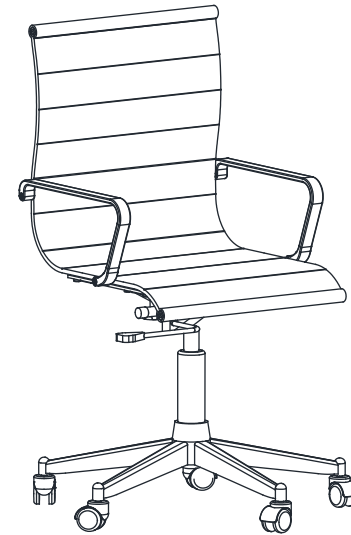
Remove all items from the carton. Verify all pieces before assembly.



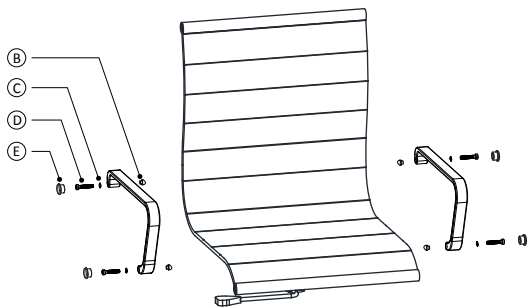
STEP 1



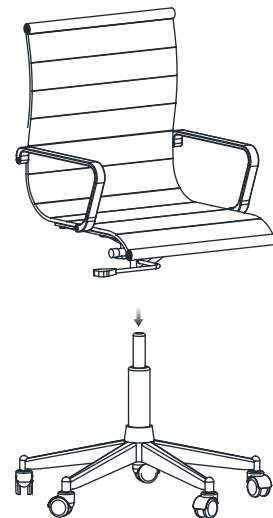
STEP 2



FINISH



STEP 3

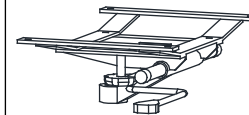


STEP 4

① Seat & Back



② Mechanism



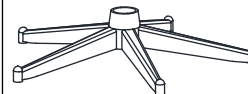
③ Armrest(1 pair)



④ Gas Lift



⑤ Base



⑤ Casters - x5



Accessories & Tools

① A
M8*16MM - x4



① B
x4



① C
x4



① D
M8*40MM - x4



① E
x4



① F
M6 - x1

