

PAE 35 HEPA

EN

OPERATING MANUAL
AIR COOLER



Table of contents

Notes regarding the operating manual..... 2

Safety 2

Information about the device..... 5

Transport and storage..... 6

Assembly and start-up..... 6

Operation 10

Available accessories..... 14

Errors and faults..... 14


Maintenance 15


Technical annex..... 20


Disposal 20

Notes regarding the operating manual


Symbols


 **Warning of electrical voltage**
This symbol indicates dangers to the life and health of persons due to electrical voltage.

 **Warning**
This signal word indicates a hazard with an average risk level which, if not avoided, can result in serious injury or death.

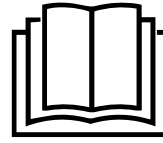
 **Caution**
This signal word indicates a hazard with a low risk level which, if not avoided, can result in minor or moderate injury.

Note
This signal word indicates important information (e.g. material damage), but does not indicate hazards.

 **Info**
Information marked with this symbol helps you to carry out your tasks quickly and safely.

 **Follow the manual**
Information marked with this symbol indicates that the operating manual must be observed.

You can download the current version of the operating manual and the EU declaration of conformity via the following link:




PAE 35 HEPA



<https://hub.trotec.com/?id=46126>

Safety

Read this manual carefully before starting or using the device. Always store the manual in the immediate vicinity of the device or its site of use.

-  **Warning**
Read all safety warnings and all instructions. Failure to follow the warnings and instructions may result in electric shock, fire and/or serious injury. **Save all warnings and instructions for future reference.**
- This appliance can be used by children aged from 8 years and above and persons with reduced physical, sensory or mental capabilities or lack of experience and knowledge if they have been given supervision or instruction concerning use of the appliance in a safe way and understand the hazards involved. Children shall not play with the appliance. Cleaning and user maintenance shall not be made by children without supervision.
- Do not use the device in potentially explosive rooms or areas and do not install it there.
 - Do not use the device in aggressive atmosphere.
 - Only put up the device in an upright, stable position on firm ground.
 - Let the device dry out after a wet clean. Do not operate it when wet.
 - Do not use the device with wet or damp hands.
 - Do not expose the device to directly squirting water.
 - Do not cover the device during operation.
 - Do not sit on the device.
 - This appliance is not a toy. Keep away from children and animals. Do not leave the device unattended during operation.
 - Check accessories and connection parts for possible damage prior to every use of the device. Do not use any defective devices or device parts.

- Ensure that all electric cables outside of the device are protected from damage (e.g. caused by animals). Never use the device if electric cables or the power connection are damaged!
- The mains connection must correspond to the specifications in the Technical annex.
- Insert the mains plug into a properly fused mains socket.
- Observe the device's power input, cable length and intended use when selecting extensions to the power cable. Completely unroll extension cables. Avoid electrical overload.
- Do not under any circumstances use the device if you detect damages on the mains plug or power cable. If the power cable is damaged, it must be replaced by the manufacturer, its service agent or similarly qualified persons in order to avoid a hazard. Defective power cables pose a serious health risk!
- Before carrying out maintenance, care or repair work on the device, remove the mains plug from the mains socket. Hold onto the mains plug while doing so.
- Switch the device off and disconnect the power cable from the mains socket when the device is not in use.
- When positioning the device, observe the minimum distances from walls and other objects as well as the storage and operating conditions specified in the Technical annex.
- Make sure that the air inlet and outlet are not obstructed.
- Make sure that the suction side is kept free of dirt and loose objects.
- Never insert any objects or limbs into the device.
- Do not remove any safety signs, stickers or labels from the device. Keep all safety signs, stickers and labels in legible condition.
- Only transport the device in an upright position with an emptied water tank.
- Empty and clean the water tank prior to storage or transport. Do not drink the water. Health hazard!
- Never leave water in the water tank when the appliance is not in use.
- Make sure that objects in the surroundings of the device do not become wet or damp. If moisture is present, the output must be reduced. Set the device to a lower level. If the output cannot be reduced, the device must only be operated in intervals. If necessary, switch the device off completely for a short time. Ensure that absorbent materials such as carpeting, curtains, sheers or tablecloths will not become damp.
- Note that high humidity levels may enhance the growth of biological organisms in the environment.
- Make sure that the water in the water tank is replaced every 3 days. Otherwise there is a risk of microorganisms growing in the water tank which presents a health hazard if they get into the air or water.
- Only fill the water tank with fresh drinking water, ice cubes made of fresh drinking water and / or suitable ice packs.
- Ice packs are not toys. Keep away from children and animals.
- Never open an ice pack. The liquid inside the ice packs can be harmful to health.
- Do not eat the ice that may form on the ice packs. Health hazard!
- Do not insert rechargeable batteries into the remote control.
- Do not use the device if it has been dropped or if it shows visible signs of damage.
- Only use original spare parts, for otherwise safe and functional operation cannot be ensured.
- Use the CR 2032 button battery type.
- Never charge batteries that cannot be recharged.
- Different types of batteries and new and used batteries must not be used together.
- Insert the batteries into the battery compartment according to the correct polarity.
- Remove discharged batteries from the device. Batteries contain materials hazardous to the environment. Dispose of the batteries according to the national regulations.
- Remove the batteries from the remote control if you will not be using the device for a longer period of time.
- Never short-circuit the supply terminal in the battery compartment!
- Do not swallow batteries! If a battery is swallowed, it can cause severe internal burns within 2 hours! These burns can lead to death!
- If you think batteries might have been swallowed or otherwise entered the body, seek medical attention immediately!
- Keep new and used batteries and an open battery compartment away from children.
- If the battery compartment does not close securely, stop using the product via the remote control.
- Switch the device off and disconnect the power cable from the mains socket before cleaning the device or before filling the water tank with water.

Intended use

Only use the device for cooling the air in interior spaces while adhering to and following the technical data.

Intended use comprises cooling the air in:

- living spaces
- museums
- warehouses and archives
- libraries
- call centres and computer rooms

Foreseeable misuse

- Do not place the device on wet or flooded ground.
- Do not place any objects, e.g. clothing, on the device.
- Do not use the device out of doors.
- Do not make any unauthorised modifications, alterations or structural changes to the device.
- Any use other than the intended use is regarded as a reasonably foreseeable misuse.

Personnel qualifications

People who use this device must:

- be aware of the dangers that occur when working with electric devices in damp areas.
- have read and understood the operating manual, especially the Safety chapter.



Maintenance tasks which require the housing to be opened must only be carried out by specialist electrical companies or by Trotec.

Safety signs and labels on the device

Note

Do not remove any safety signs, stickers or labels from the device. Keep all safety signs, stickers and labels in legible condition.

The following safety signs and labels are attached to the device:

Symbols	Meaning
	This symbol located on the device indicates that the filter has to be checked and, if necessary, to be cleaned prior to each operation. Replace the filter if it is defective. Do not insert a wet filter into the device. Wait until the filter has dried.
	This symbol located on the device indicates that the water tank should be cleaned every 3 days. Change the water in the water tank every 3 days. Disconnect the device from the mains before cleaning the water tank.

The following label is attached to the device in German and English.

Attention: Before switching on, remove the plastic bag of the HEPA filter!

Residual risks



Warning of electrical voltage

Work on the electrical components must only be carried out by an authorised specialist company!



Warning of electrical voltage

Before any work on the device, remove the mains plug from the mains socket!
Do not touch the mains plug with wet or damp hands. Hold onto the mains plug while pulling the power cable out of the mains socket.



Warning

The liquid inside the ice packs can be harmful to health!
If the liquid was swallowed, immediately seek medical attention.
If the liquid came into contact with your eyes, rinse with water and immediately consult an ophthalmologist.



Warning

Dangers can occur at the device when it is used by untrained people in an unprofessional or improper way! Observe the personnel qualifications!



Warning

The device is not a toy and does not belong in the hands of children.



Warning

Risk of suffocation!
Do not leave the packaging lying around. Children may use it as a dangerous toy.

Note

Do not operate the device without an air filter inserted into the air inlet!
Without the air filter, the inside of the device will be heavily contaminated. This could reduce the performance and result in damage to the device.

Behaviour in the event of an emergency

1. Switch the device off.
2. In an emergency, disconnect the device from the mains feed-in: Hold onto the mains plug while pulling the power cable out of the mains socket.
3. Do not reconnect a defective device to the mains.

Information about the device

Device description

The air cooler lowers the room temperature to a comfortable degree by evaporation-based cooling.

The device is filled with cold water or optionally with ice cubes and / or ice packs in order to cool down the incoming warm air at the evaporation filter and to blow out the cold air thus generated via the fan.

Besides its cooling function, the device can also be used for air freshening: thanks to an integrated air filter and the evaporation filter's honeycomb structure, the sucked-in air is filtered and humidified.

The fan speed can be set to three stages.

The discharge direction of the cooled air can be manually adjusted via the ventilation flaps as well as via the optionally selectable automatic swing mode.

The device has a night mode enabling ultra-silent operation at bedtime.

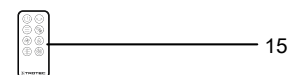
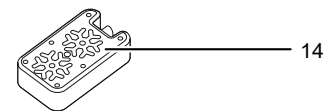
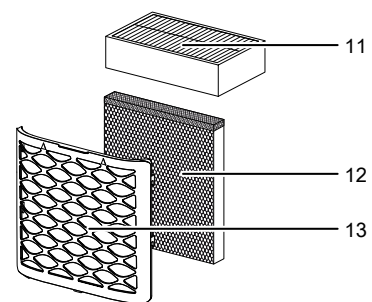
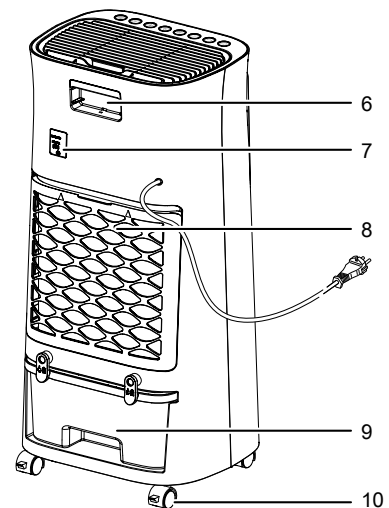
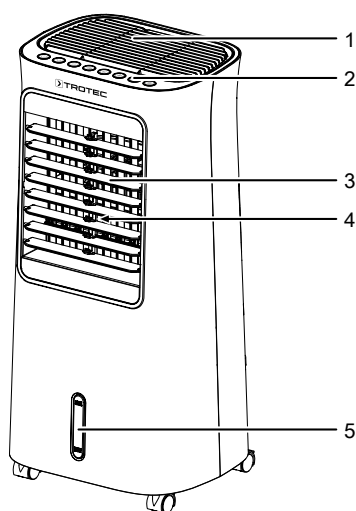
Moreover, using the timer function, the device can be switched on or off automatically with time delay.

The device comes with an air purification function. The HEPA filter purifies the air from pollen, viruses, dust mite residue, mould spores and other allergens.

Additionally, the device comes equipped with an ionizer which eliminates odours and bacteria from the room air.

The device can be operated via the control panel at the device or via the infrared remote control.

Device depiction



No.	Designation
1	Air inlet with HEPA filter
2	Control panel
3	Air outlet with adjustable ventilation flaps
4	Air flaps for swing function
5	Filling level indicator of the water tank
6	Transport handle with compartment for the remote control
7	Air quality sensor
8	Air inlet with air filter and evaporation filter
9	Water tank with locking clips
10	Wheels (rear wheels with parking brakes)
11	HEPA filter
12	Evaporation filter
13	Air filter
14	Ice pack
15	Remote control

Transport and storage

Note

If you store or transport the device improperly, the device may be damaged.

Note the information regarding transport and storage of the device.

Transport

To make the device easier to transport, it is fitted with wheels.

To make the device easier to transport, it is fitted with a carry handle.

Before transporting the device, observe the following:

- Switch the device off.
- Hold onto the mains plug while pulling the power cable out of the mains socket.
- Empty the water tank.
- Do not use the power cable to drag the device.
- Only wheel the device on a level and smooth surface.

After transporting the device, proceed as follows:

- Set up the device in an upright position after transport.
- Apply and lock the parking brakes at the wheels.

Storage

Before storing the device, proceed as follows:

- Empty and clean the water tank prior to storage (see chapter Maintenance).
- Allow the evaporation filter to dry prior to storage. Otherwise the device may distribute a musty smell after restart.
- Hold onto the mains plug while pulling the power cable out of the mains socket.

When the device is not being used, observe the following storage conditions:

- Store the device in a dry location and protected from frost and heat.
- Store the device in an upright position where it is protected from dust and direct sunlight.
- If required, use a cover to protect the device from invasive dust.
- Apply and lock the parking brakes at the wheels.
- Place no further devices or objects on top of the device to prevent it from being damaged.
- Remove batteries from the remote control.

The power cable can be reeled around the clips on the water tank for storage. To do so, please proceed as follows:

1. Turn the clips on the water tank into a horizontal position.
2. Wrap the power cable completely around the two clips.

Assembly and start-up

Scope of delivery

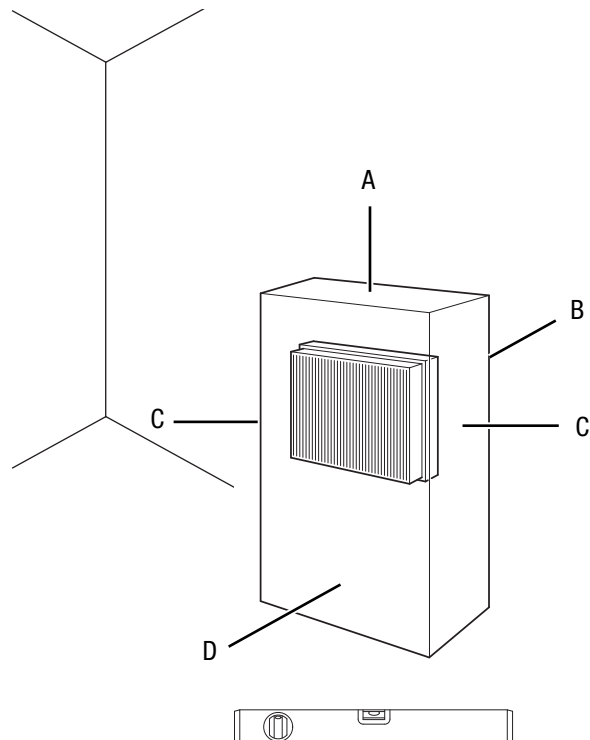
- 1 x Device
- 1 x Evaporation filter
- 1 x HEPA filter
- 1 x Air filter
- 1 x Ice pack
- 1 x Remote control
- 1 x Manual

Unpacking the device

1. Open the cardboard box and take the device out.
2. Completely remove the packaging.
3. Fully unwind the power cable. Make sure that the power cable is not damaged and that you do not damage it during unwinding.

Start-up

When positioning the device, observe the minimum distance from walls or other objects as described in the chapter Technical annex.



- Before restarting the device, check the condition of the power cable. If there are doubts as to the sound condition, contact the customer service.

- Only put up the device in an upright, stable position on firm ground.
- Do not create tripping hazards when laying the power cable or other electric cables, especially when positioning the device in the middle of the room. Use cable bridges.
- Make sure that extension cables are completely unrolled.
- Make sure that no curtains or other objects interfere with the air flow.

Observe the following before operating the device after a period of non-use or after the device has been stored:

- Clean the housing and the water tank prior to recommissioning (see chapter Maintenance).

Inserting batteries into the remote control



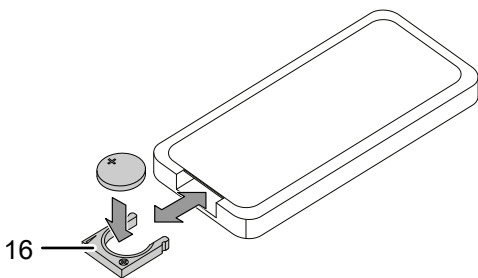
Warning of electrical voltage

Do not touch the battery compartment with wet or damp hands.

Note

Do not use rechargeable batteries!
Observe the Technical data for start-up.

1. Press the locking at the side of the battery compartment (16) together and pull the battery compartment out of the remote control.
2. Insert a type CR 2032 battery into the battery compartment (16) and slide the battery compartment back into the remote control.



Filling the water tank

The device requires fresh drinking water for air cooling.



Warning of electrical voltage

Before any work on the device, remove the mains plug from the mains socket!

Do not touch the mains plug with wet or damp hands. Hold onto the mains plug while pulling the power cable out of the mains socket.

Note

Fill the device with fresh drinking water only. The water temperature must not exceed 40 °C.



Info

If possible, change the water every 3 days to prevent bacterial growth.



Info

Optionally, you can put ice packs into the water tank for additional cooling.

Observe the following when using the ice packs:

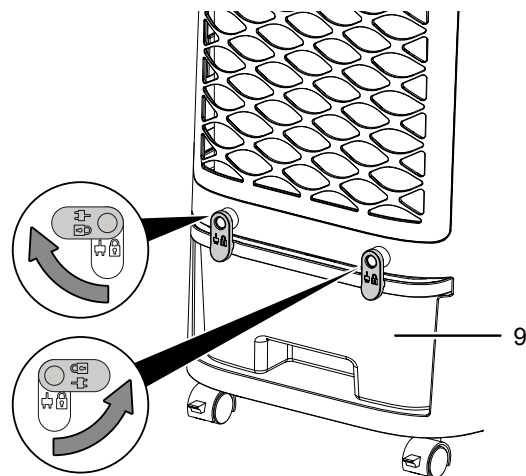
- Put the ice packs into a freezer for at least 4 hours before use.
- Put the ice packs into the water tank before filling water into the tank.



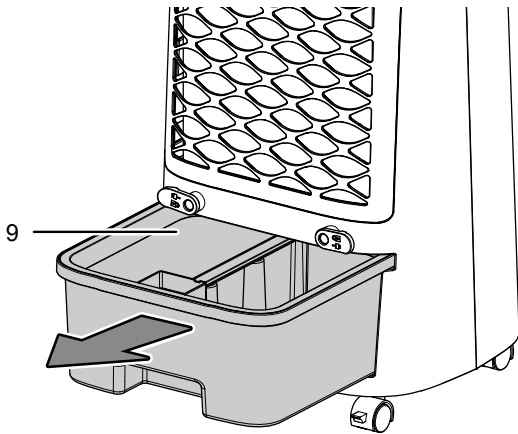
Info

When using ice packs at high outside temperatures, condensation may form at the water tank and drip onto the floor.

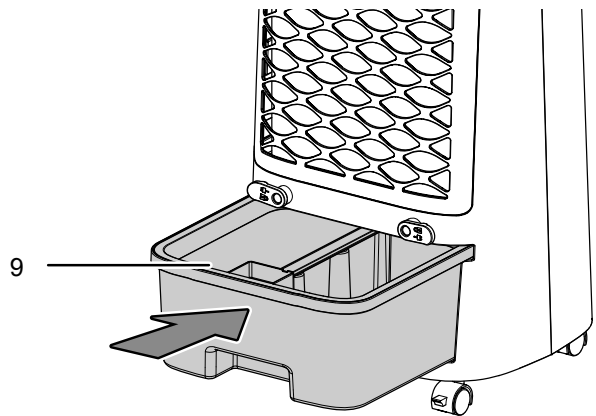
1. Disconnect the device from the mains before refilling water or putting ice packs into the device.
2. Release the water tank (9) by turning both clips from their vertical position into the horizontal position.



3. Remove the water tank (9) from the device.

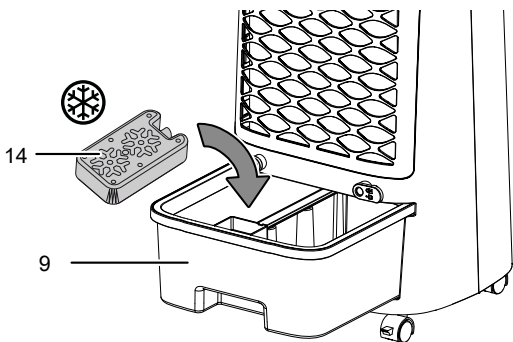


6. Refit the water tank (9) completely back into the device.

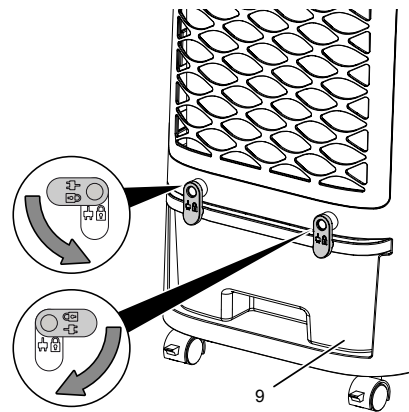


4. If required, put the ice packs (14) into the water tank (9) for additional cooling.

⇒ Observe the labelling on the bottom of the water tank. The ice packs can only be inserted into one side. Otherwise, the pump is blocked.

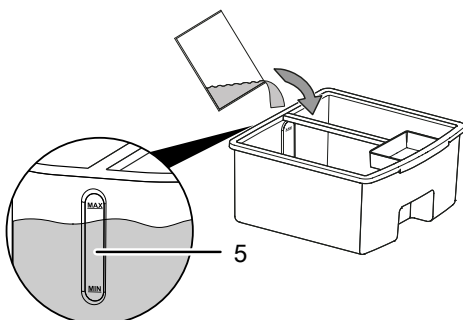


7. Lock the water tank (9) by turning the clips from their horizontal position into the vertical position.



5. Fill the water tank with fresh drinking water only (9). Optionally, you can add ice cubes made of drinking water for additional cooling.

⇒ Observe the minimum and maximum filling level at the filling level indicator (5). The water tank (9) must be filled up at least to minimum filling level to enable pump operation.



8. Make sure that the device is neither damp nor wet on the outside. Otherwise wipe it dry.

Inserting evaporation filter and air filter

Note

When set to air cooling mode, the device must not be operated without the evaporation filter, otherwise *cooling* will not work.

Note

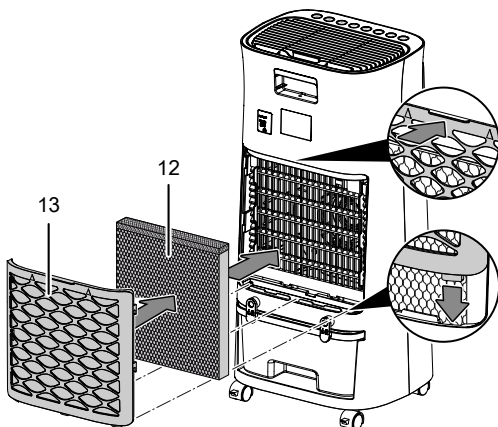
Do not operate the device without an air filter inserted into the air inlet!

Without the air filter, the inside of the device will be heavily contaminated. This could reduce the performance and result in damage to the device.

Note

For an even distribution of water please make sure that the top section of the evaporation filter is positioned at the top.

- Make sure that both the evaporation and the air filter are installed before switching the device on.



Inserting the HEPA filter

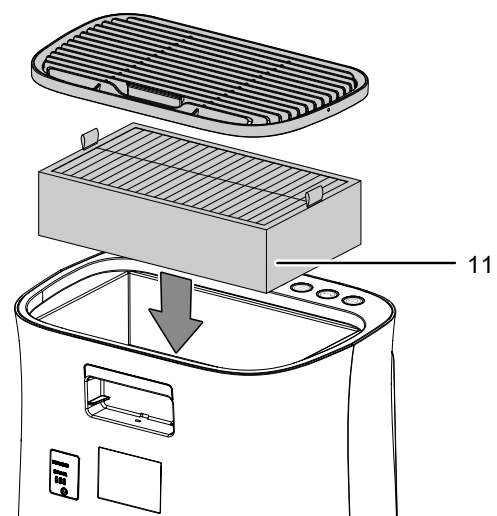
Note

Remove any packing material from the HEPA filter. To change the filter, proceed as described in the Maintenance chapter under Cleaning and replacing the HEPA filter.

Note

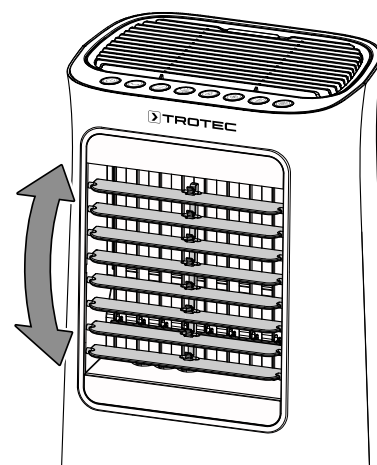
When set to air purification mode, the device must not be operated without the HEPA filter, otherwise air purification will not be ensured.

- Make sure that the HEPA filter is inserted before switching the device on.



Adjusting the ventilation flaps

- Prior to switching the device on, adjust the ventilation flaps at the air outlet.



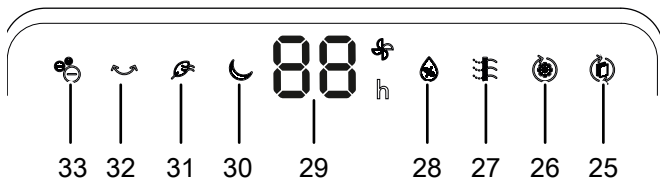
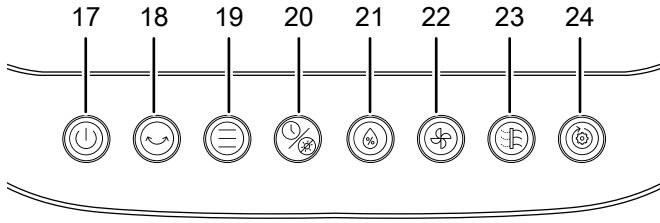
Connecting the power cable

- Insert the mains plug into a properly fused mains socket.

Operation

- Avoid open doors and windows.

Control panel

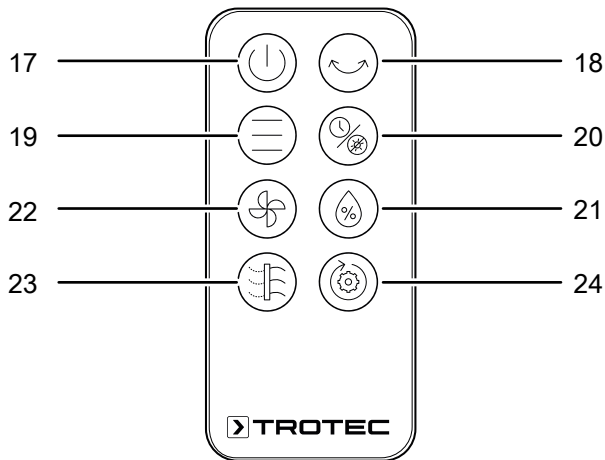


No.	Designation	Meaning
17	<i>On/off</i> button	Switching the device on or off
18	<i>Swing</i> button	Switching the swing function on or off
19	<i>Mode</i> button	Selecting the operating mode: <i>Air freshening</i> <i>Night mode</i>
20	<i>Timer</i> button	Switching the timer on or off: 1 h – 24 h Press this button for 3 seconds to switch the display illumination on or off
21	<i>Air cooling</i> button	Switching the <i>air cooling</i> mode on or off
22	<i>Speed</i> button	Setting the fan speed Press the button for 3 seconds to switch on the filter drying function
23	<i>Air purification</i> button	Switching the air purification function on and off Press the button for 3 seconds to perform the filter reset
24	<i>Automatic air purification</i> button	Switching the automatic air purification function on and off
25	<i>Filter</i> LED	Illuminated when the HEPA filter needs to be replaced
26	<i>Automatic air purification</i> LED	Illuminated when the automatic air purification function is activated
27	<i>Air purification</i> LED	Illuminated when air purification is activated

No.	Designation	Meaning
28	<i>Air cooling</i> LED	Is illuminated when the air cooling function is activated
29	Segment display	Fan speed indication stage 1 = low stage 2 = medium stage 3 = high Indication of the number of hours during timer programming (1 h – 24 h)
30	<i>Night mode</i> LED	Illuminated when <i>night mode</i> is activated
31	<i>Air freshening</i> LED	Illuminated when <i>air freshening</i> mode is activated
32	<i>Swing</i> LEDs	Illuminated when swing function is activated
33	<i>Ionization</i> LED	Is illuminated when the device is switched on Illuminated when ionizer function is activated

Remote control

All settings of the device can also be made using the remote control included in the scope of delivery.



No.	Designation	Meaning
17	<i>On/off</i> button	Switching the device on or off
18	<i>Swing</i> button	Switching the swing function on or off
19	<i>Mode</i> button	Selecting the operating mode: <i>Air freshening</i> <i>Night mode</i>
20	<i>Timer</i> button	Switching the timer on or off: 1 h – 24 h Press this button for 3 seconds to switch the display illumination on or off
21	<i>Air cooling</i> button	Switching the <i>air cooling</i> mode on or off
22	<i>Speed</i> button	Setting the fan speed Press the button for 3 seconds to switch on the filter drying function
23	<i>Air purification</i> button	Switching the air purification function on and off Press the button for 3 seconds to perform the filter reset
24	<i>Automatic air purification</i> button	Switching the automatic air purification function on and off

Switching the device on

Once you have completely installed the device as described in the chapter Assembly and start-up, you can switch it on:

1. Press the *on/off* button (17) on the device.
 - ⇒ The *ionization* LED (33) is illuminated.
 - ⇒ The device starts with the previously selected settings.

Setting the operating mode

The device comes with the following operating modes:

- *Air cooling*
- *Ventilation*
- *Air freshening*
- *Night mode*
- *Air purification*

Air cooling

The *air cooling* mode can be switched on in addition during all operating modes.

During *air cooling* mode, the pump is switched on and the water is distributed over the evaporation filter to cool the circulating air with water. In air cooling mode the air is humidified at the same time.

Please proceed as follows to activate *air cooling*:

- ✓ The water tank (9) must be filled up with water at least to the minimum filling level.
1. Press the *air cooling* button (21).
 - ⇒ The *air cooling* LED (28) is illuminated.
 - ⇒ The pump starts.
 2. Press the *Fan speed* button (22) to set the desired fan stage (1-3).
 - ⇒ The set fan stage and the symbol are indicated on the segment display (29).
 3. Press the *cooling* button (21) again to switch air cooling off.
 - ⇒ The *air cooling* LED (28) goes out.
 - ⇒ The device continues to run in the previously selected operating mode with the pump being switched off. The fan stage is maintained.

Note

When *Air cooling* mode is activated, the air and evaporation filter must not be removed, otherwise the water from the filter will drip down into the device.


Note

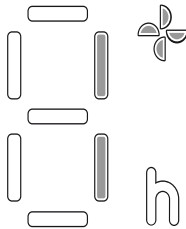
If there is only a small quantity or no water in the water tank, the air cooling mode is switched off after 45 seconds and an acoustic warning signal is emitted.

Ventilation

In *ventilation* mode, you can select all three fan speeds manually.

Please proceed as follows to adjust the fan speed:

1. Press the *Fan speed* button (22) until the desired fan stage is indicated on the segment display.
 - ⇒ The set fan stage and the  symbol are indicated on the segment display (29).



Air freshening

In *air freshening* mode, the fan speed increases and decreases alternately to generate a pleasant, natural air stream.

Please proceed as follows to activate *air freshening*:

1. Press the *Mode* button (19) until the *Air freshening* LED (31) is lit.
 - ⇒ The fan stages are automatically adjusted.

Night mode

In night mode, the device operates using a preset programme with different fan speeds to generate an air stream that is adapted to human sleeping habits.

Night mode can be activated in combination with the 3 fan stages and *air cooling*.

- At fan stage 1, the device runs permanently at this stage.
- At fan stage 2, the device automatically switches to fan stage 1 after an operating time of 30 minutes and keeps running at this speed.
- At fan stage 3, the device automatically switches to fan stage 2 after an operating time of 30 minutes. After another 30 minutes, the device automatically switches to fan stage 1 and runs permanently at this stage.

Proceed as follows to switch on the *Night mode*:

1. Press the *Mode* button (19) until the *Night mode* LED (30) is illuminated.
2. Press the *Fan speed* button (22) until the desired fan stage is indicated on the segment display (29).



Info

If you activate *air cooling*, an alarm signal will be emitted when the water tank is empty, even in night mode.

Ionization function

With this function, the room air is not only cleaned by means of the HEPA filter, but additionally by means of ions. The released ions remove pollen, dust, viruses and bacteria from the room air. The ionization function is activated permanently when you have switched on the device. The *ionization* LED (33) is lit when the ionization function is activated.

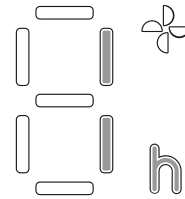
Setting the timer

The function can be set in addition in all operating modes.

The number of hours can be set in hourly increments (1 h to 24 h).

Automatic switch-on

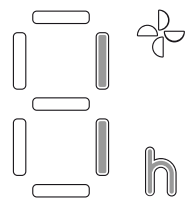
- ✓ The device is now in standby mode.
1. Press the *timer* button (20) until the desired set number of hours is shown on the segment display (29).
 - ⇒ The segment display (29) indicates the set number of hours and the **h** symbol.
 - ⇒ The set number of hours flashes in the segment display (29).



- ⇒ The device automatically starts in the previously selected operating modes after the set number of hours has elapsed.

Automatic switch-off

- ✓ The device is switched on.
1. Press the *timer* button (20) until the desired number of hours is shown on the segment display (29).
 - ⇒ The segment display (29) indicates the set number of hours and the **h** symbol.



- ⇒ The timer setting equals the desired number of hours.
- ⇒ The device switches off automatically after the set number of hours has elapsed.

Notes regarding automatic switch-on and switch-off:

- Pressing the *on/off* button (17) deactivates the automatic switch-on and switch-off function.

Swing function

The swing function can be switched on in any operating mode if required.

With the swing function being switched on, the vertical air flaps move automatically and ensure continuous air circulation.

1. Press the *swing* button (18) to switch the swing function on or off.

Air purification function

The device comes with an air purification function. The integrated air quality sensor (7) measures the air quality and the *Air purification* LED (27) is lit in colours according to the air quality measured.

Please proceed as follows to activate the air purification function:

1. Press the *Air purification* button (23) to activate the air purification function.
 - ⇒ The air quality sensor measures the air quality within one minute. The *Air purification* LED (27) is lit in corresponding colours.
 - ⇒ The device cleans the air automatically. The fan stage does not change.
2. Press the *Fan speed* button (22) to change the fan stage manually.
 - ⇒ The set fan stage and the symbol are indicated on the segment display (29).
3. Press the *Air purification* button (23) again to deactivate the air purification function.
 - ⇒ The *Air purification* LED (27) goes out.



Info

After you have deactivated the air purification function, the device continues running in all operating modes set before. Only the swing function is not saved.

Air quality LED	Meaning
Illuminated in green	good air quality
Illuminated in yellow	medium air quality
Illuminated in red	poor air quality

Automatic air purification function

The device has an automatic air purification function. The integrated air quality sensor (7) measures the air quality and the *Automatic air purification* LED (26) is lit in colours according to the air quality measured. The device adapts the fan speed to the air quality.

Please proceed as follows to activate the automatic air purification function:

1. Press the *Automatic air purification* button (24) to activate the automatic air purification function.
 - ⇒ The air quality sensor measures the air quality within one minute. The *Automatic air purification* LED (26) is lit in corresponding colours.

- ⇒ The fan stage changes in accordance with the air quality measured. The fan stage and the symbol are indicated on the segment display (29).
 - ⇒ The device cleans the air automatically.
2. Press the *Automatic air purification* button (24) again to deactivate the automatic air purification function.
 - ⇒ The *Automatic air purification* LED (26) goes out.



Info

After you have deactivated the air purification function, the device continues running in all operating modes set before. Only the swing function is not saved.

Air quality LED	PM2.5 value	Fan speed
Illuminated in green (good air quality)	0-35	Stage 1 (low fan speed)
Illuminated in yellow (medium air quality)	36-100	Stage 2 (low fan speed)
Illuminated in red (poor air quality)	≥ 101	Stage 3 (low fan speed)

Memory function

If you switch the device back on from standby mode, the settings selected for the operating mode and swing function are saved. Any activated timer, air freshening, night mode and filter drying function will not be saved in the device.

Adding water

For filling the water tank, proceed as described in the "Filling the water tank" section.

Evaporation filter drying function



Info

With the drying function you can also dry damp textiles, like for example curtains.

Note

Keep a safety distance of at least 1 m between the air inlet and the air outlet of the device and all combustible materials such as textiles, curtains, beds and sofas.

Carry out the evaporation filter drying function prior to storage.

To do so, please proceed as follows:

1. Press the *Fan speed* button on the control panel or the remote control for 3 seconds (22).
 - ⇒ The device switches to the highest fan stage for 20 min and then automatically switches to standby.
 - ⇒ The fan stage and the symbol are indicated on the segment display (29).
 - ⇒ No other functions or operating modes can be switched on.
2. Press the *On/Off* button on the control panel or the remote control (17) if you like to terminate the evaporation filter drying function prematurely.

Shutdown



Warning of electrical voltage

Do not touch the mains plug with wet or damp hands.

- Switch the device off.
- Hold onto the mains plug while pulling the power cable out of the mains socket.
- Empty and clean the water tank (see chapter Maintenance).
- Clean the device according to the Maintenance chapter.
- Store the device according to the Transport and storage chapter.

Available accessories



Warning

Only use accessories and additional equipment specified in the operating manual. Using insertion tools or accessories other than those specified in the operating manual may cause a risk of injury.

Designation	Article number
Evaporation filter PAE 35 HEPA	7,710,000,079
Air filter PAE 35 HEPA	7,710,000,068
HEPA filter PAE 35 HEPA	7,710,000,070

Errors and faults

The device has been checked for proper functioning several times during production. If malfunctions occur nonetheless, check the device according to the following list.

The device does not start:

- Check the power connection.
- Check the power cable and mains plug for damage.
- Check the on-site fusing.
- Wait for 10 minutes before restarting the device. If the device is not starting, have the electricians checked by a specialist company or by Trotec.

The device works with reduced or no capacity:

- Check the position of the horizontal ventilation flaps. They should be opened to the maximum.
- Check the air filter for dirt. If necessary, clean or replace the air filter.
- Check the minimum distance to walls or other objects. Position the device a little more in the room's centre if required.

The device is running, but there is no air cooling or pump operation:

- Check whether *air cooling* mode is activated.
- Check whether there are any objects blocking the pump inlet. Make sure that the pump inlet is not blocked.
- In case the pump does not operate despite a correctly filled water tank and activated air cooling mode, the pump might be defective. Please contact the customer service.
- Make sure that the pump is correctly installed and secured in the water tank (see Filling the water tank).

Water is leaking:

- Check the device for leaks.
- Check the water tank for tight fit.

The swing function is not working:

- The swing function motor might be defective. Please contact the customer service.

The device is loud or vibrates:

- Check whether the device is set up in a stable and upright position.

The device does not respond to the infrared remote control:

- Check whether the distance between remote control and device is too large and reduce it if necessary.
- Make sure there are no obstacles, such as furniture or walls, between the device and the remote control. Ensure visual contact between device and remote control.
- Check the charging status of the batteries and change them if required.
- If the batteries have just been changed, check them for correct polarity.

The device still does not operate correctly after these checks:

Please contact the customer service. If necessary, bring the device to an authorised specialist electrical company or to Trotec for repair.

Maintenance

Maintenance intervals

Maintenance and care interval	before every start-up	as needed	every 3 days	at least every 2 weeks	at least every 4 weeks	at least annually
Cleaning the water tank			X			
Check air inlets and outlets for dirt and foreign objects and clean if necessary	X				X	
Clean the exterior		X				X
Visually check the inside of the device for dirt		X				X
Check the air filter for dirt and foreign objects and clean if necessary	X			X		
Cleaning and replacing the HEPA filter		X				X
Replacing the evaporation filter		X				
Check for damage	X					
Check the attachment screws		X				X
Test run						X

Maintenance and care log

Device type:

Device number:

Maintenance and care interval	1	2	3	4	5	6	7	8	9	10	11	12	13	14	15	16
Cleaning the water tank																
Check air inlets and outlets for dirt and foreign objects and clean if necessary																
Clean the exterior																
Visually check the inside of the device for dirt																
Check the air filter for dirt and foreign objects and clean if necessary																
Cleaning and replacing the HEPA filter																
Replacing the evaporation filter																
Check for damage																
Check the attachment screws																
Test run																
Remarks:																

1. Date: Signature:	2. Date: Signature:	3. Date: Signature:	4. Date: Signature:
5. Date: Signature:	6. Date: Signature:	7. Date: Signature:	8. Date: Signature:
9. Date: Signature:	10. Date: Signature:	11. Date: Signature:	12. Date: Signature:
13. Date: Signature:	14. Date: Signature:	15. Date: Signature:	16. Date: Signature:

Activities required before starting maintenance



Warning of electrical voltage

Do not touch the mains plug with wet or damp hands.

- Switch the device off.
- Hold onto the mains plug while pulling the power cable out of the mains socket.

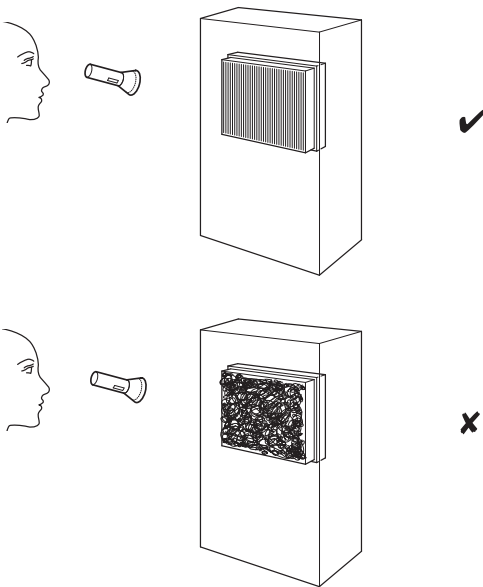


Warning of electrical voltage

Tasks which require the device to be opened must only be carried out by authorised specialist companies or by Trotec.

Visual inspection of the inside of the device for dirt

1. Remove the air filter.
2. Use a torch to illuminate the openings of the device.
3. Check the inside of the device for dirt.
4. If you see a thick layer of dust, have the inside of the device cleaned by a specialist electrical company or by Trotec.
5. Put the air filter back in.



Cleaning the housing

Clean the housing with a soft, damp and lint-free cloth. Make sure that no moisture enters the housing. Protect electrical components from moisture. Do not use any aggressive cleaning agents such as cleaning sprays, solvents, alcohol-based or abrasive cleaners to dampen the cloth.

Cleaning the water tank



Warning



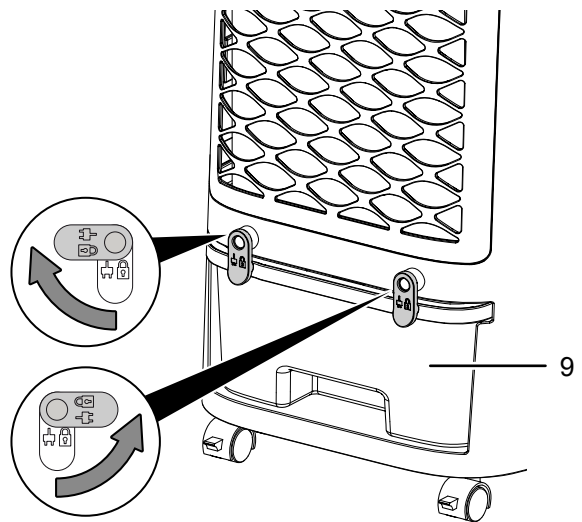
Use citric acid as cleaning/descaling agent for the water tank. Always wear gloves and protection glasses when cleaning the device since the acid may have caustic effects. Additionally, please observe the manufacturer's specifications and hazard warnings for citric acid.

Note

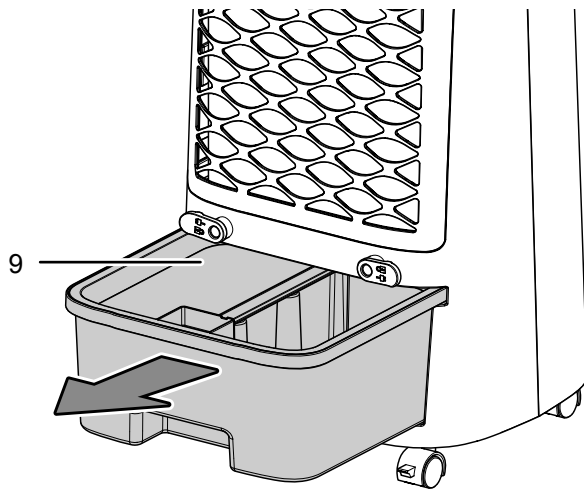
Clean the device with citric acid if you detect visible signs of limescale. To clean the device, heat it to max. 40 °C. Otherwise, the formation of citrate may cause damages to the device.

The water tank should be cleaned every 3 days if actively used. Empty and clean the water tank before a longer period of non-use or storage and prior to recommissioning (e.g. if the unit has been stored for several months and is dusty).

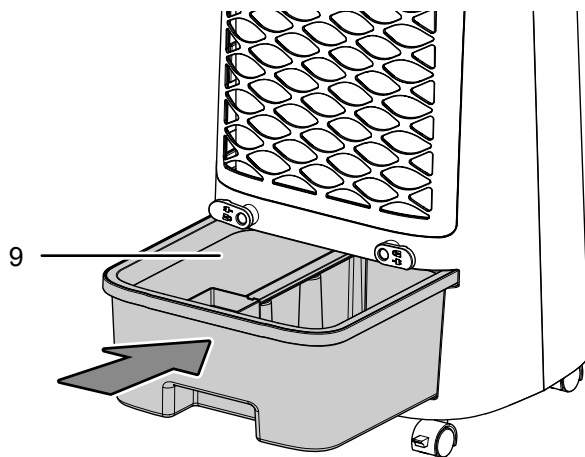
1. Release the water tank (9) by turning the clips from their vertical position into the horizontal position.



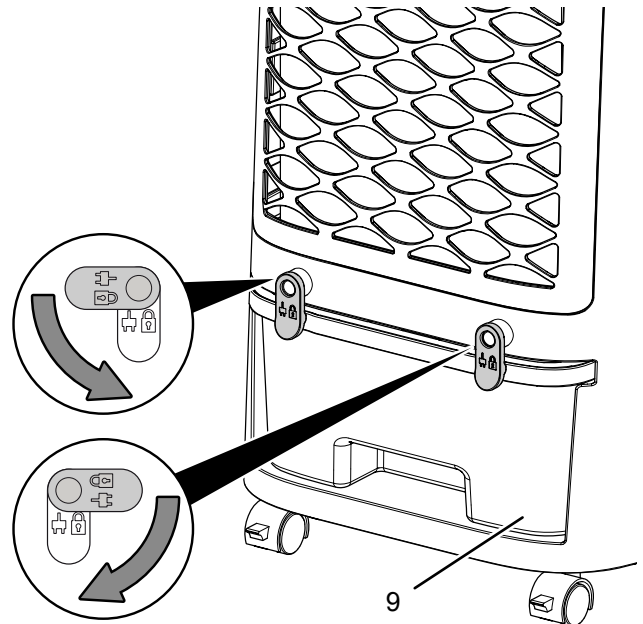
- Remove the water tank from the device.



- Thoroughly rinse the water tank (9) with citric acid (descaling agent). Allow the citric acid to work for max. 20 minutes.
- Then rinse the inside of the device with water.
- Dry the inside of the water tank with a lint-free cloth.
- Fill the water tank with fresh drinking water if you want to continue operation (see Adding water).
- Slide the water tank (9) completely back into the device.



- Lock the water tank (9) by turning the clips from their horizontal position into the vertical position.



- In doing so, make sure that the water tank (9) is inserted correctly, for otherwise the device cannot be switched back on.

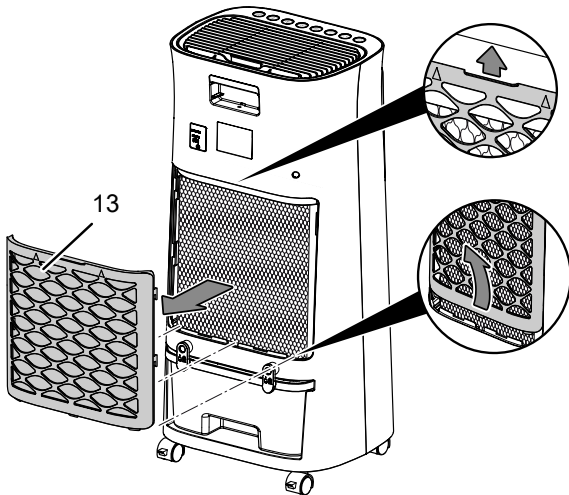
Cleaning the air filter

The air filter has to be cleaned as soon as it is dirty. This is brought to light e.g. by a reduced capacity (see chapter Errors and faults).

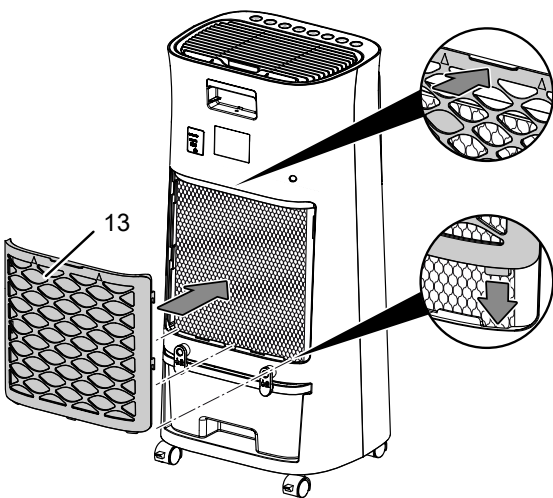
Warning

Ensure that the air filter is not worn or damaged. The corners and edges of the air filter must not be deformed or rounded. Before reinserting the air filter, make sure that it is undamaged and dry!

1. Remove the air inlet with air filter (13) from the device.



2. Clean the filter using a slightly damp, soft, lint-free cloth. If the filter is heavily contaminated, clean it with warm water mixed with a neutral cleaning agent.
3. Allow the filter to dry completely. Do not insert a wet filter into the device!
4. Reinsert the air inlet with air filter (13) into the device.



Replacing the evaporation filter

Note

When set to air cooling mode, the device must not be operated without the evaporation filter, otherwise *cooling* will not work.

Note

Do not operate the device without an inserted air filter! Without the air filter, the inside of the device will be heavily contaminated. This could reduce the performance and result in damage to the device.

Note

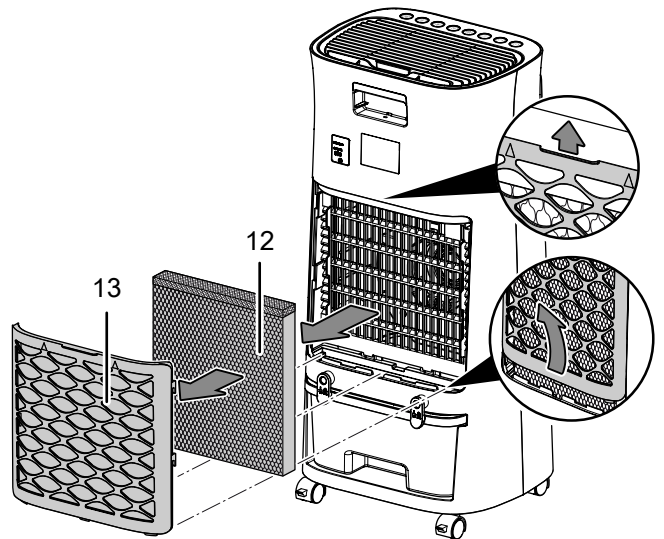
For an even distribution of water please make sure that the top section of the evaporation filter is positioned at the top.

The evaporation filter should be replaced in case of heavy soiling.

In standard operation, the interval for replacing the evaporation filter is approx. 1 year.

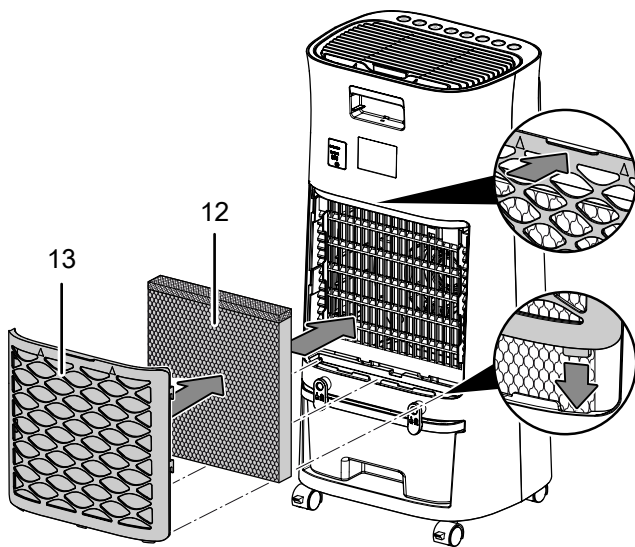
Allow the evaporation filter to dry before removing it from the device.

1. Remove the air filter (13) and evaporation filter (12) from the device.



2. Dispose of used evaporation filters according to the national regulations.

3. Reinsert both the air filter (13) and the new evaporation filter (12) into the device.



Cleaning and replacing the HEPA filter

Note

Do not operate the device without a HEPA filter inserted!

Note

The HEPA filter must be replaced if required.

Note

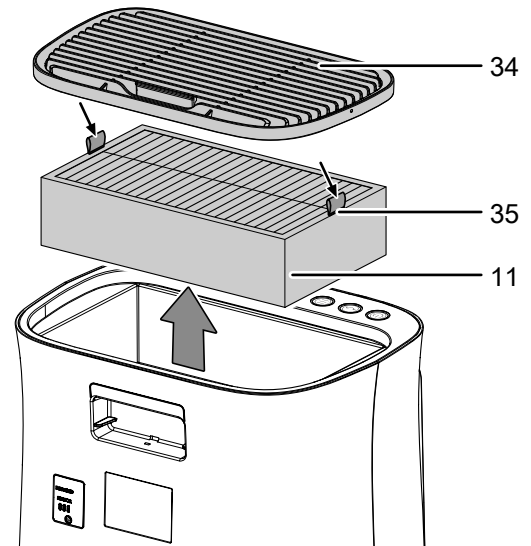
The lifetime of the HEPA filter depends on the ambient conditions and the application period of the device.

- The HEPA filter must be cleaned or replaced if it is very dirty. This is brought to light e.g. by a reduced capacity (see chapter Errors and faults). If the *Filter LED* (25) flashes, the filter must also be replaced.
- Make sure that the HEPA filter is installed before switching the device on.

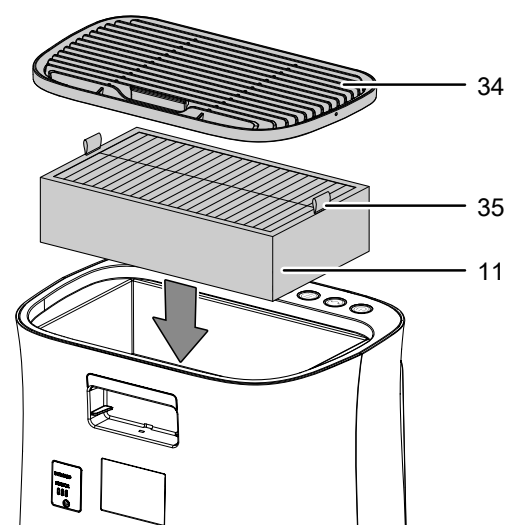
The operating life is approx. 1 year and depends on the degree of air pollution.

If required, visually inspect the HEPA filter for dirt.

1. Remove the grille (34) from the upper part of the device.
2. Remove the HEPA filter (11) from the device by pulling it out of the device by the flaps (35).



3. Clean the HEPA filter (11) with a dry, lint-free cloth if it is slightly dirty. If heavily soiled, dispose of the HEPA filter in accordance with the national regulations and remove the new HEPA filter from the plastic cover.
4. Reinsert the cleaned or new HEPA filter (11) into the device. Make sure that the strips (35) are positioned as indicated.



5. Place the grille (34) back onto the upper part of the device.
6. Press the *Air purification* button for 3 seconds (23) to carry out the filter reset.
⇒ The *Filter LED* (25) goes out.

Activities required after maintenance

If you want to continue using the device:

- Reconnect the device to the mains.

If you do not intend to use the device for a considerable time:

- Store the device according to the Transport and storage chapter.

Technical annex

Technical data

Parameter	Value
Model	PAE 35 HEPA
Evaporation capacity	800 ml/h
Air flow rate	250 m ³ /h
Mains connection	220–240 V / 50 Hz
Nominal current consumption	0.37 A
Power consumption	85 W
Sound pressure level (distance of 1 m)	56 dB(A)
Water tank capacity	6 l
Weight	6.5 kg
Dimensions (length x width x height)	255 x 310 x 670 mm
Minimum distance to walls and other objects:	
top (A):	100 cm
rear (B):	100 cm
sides (C):	100 cm
front (D):	100 cm
Remote control batteries	3 V CR2032

Disposal



The icon with the crossed-out waste bin on waste electrical or electronic equipment stipulates that this equipment must not be disposed of with the household waste at the end of its life. You will find collection points for free return of waste electrical and electronic equipment in your vicinity. The addresses can be obtained from your municipality or local administration. You can also find out about other return options that apply for many EU countries on the website <https://hub.trotec.com/?id=45090>. Otherwise, please contact an official recycling centre for electronic and electrical equipment authorised for your country.

The separate collection of waste electrical and electronic equipment aims to enable the re-use, recycling and other forms of recovery of waste equipment as well as to prevent negative effects for the environment and human health caused by the disposal of hazardous substances potentially contained in the equipment.



In the European Union, batteries and accumulators must not be treated as domestic waste, but must be disposed of professionally in accordance with Directive 2006/66/EC of the European Parliament and of the Council of 6 September 2006 on batteries and accumulators. Please dispose of batteries and accumulators according to the relevant legal requirements.

Only for United Kingdom

According to Waste Electrical and Electronic Equipment Regulations 2013 (2013/3113) and the Waste Batteries and Accumulators Regulations 2009 (2009/890), power tools that are no longer usable must be collected separately and disposed of in an environmentally friendly manner.

Trotec GmbH

Grebener Str. 7
D-52525 Heinsberg

☎ +49 2452 962-400

☎ +49 2452 962-200

✉ info@trotec.com

www.trotec.com