



# Blizzard

Smart mobile airconditioner

user manual | gebruikershandleiding | manuel d'utilisation  
manual de usuario | Bedienungsanleitung



duux®

# Thank you for choosing Duux.

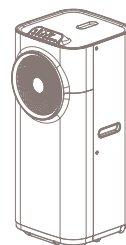
We're so glad you decided to read the instructions to your new Duux smart mobile airconditioning! Many users casually dismiss instructions and seek to figure it out on their own. But studies show that people who read instructions will get up to speed more quickly and efficiently than those who poke around with trial and error.

At Duux we believe in the importance of a comfortable and healthy living environment. Enhancing your well-being by designing appealing, functional and effective products is the passion that drives us every day. With our range of innovative air treatment products we aim to provide you the best possible indoor air quality.

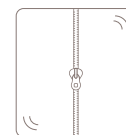
Unproductive working days, sweaty dinners or sleepless nights. Summers are getting longer and hotter each year, meaning it's time for a new best friend that'll make those days a lot more enjoyable. Meet Blizzard: a mobile airco with front output for extra efficient cooling. Its unconventional design makes it a true eye catcher, and the wheels and handles on both sides allow you move it wherever you want. So you'll always stay cool.

Read this manual carefully to get the most out of your Blizzard mobile airconditioner.

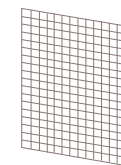
## Box contents



Blizzard



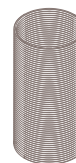
Window sealing set



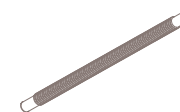
Activated carbon filter



Remote control



Exhaust pipe



Drainage pipe for continuous drainage



Connector for exhaust pipe



Adapter

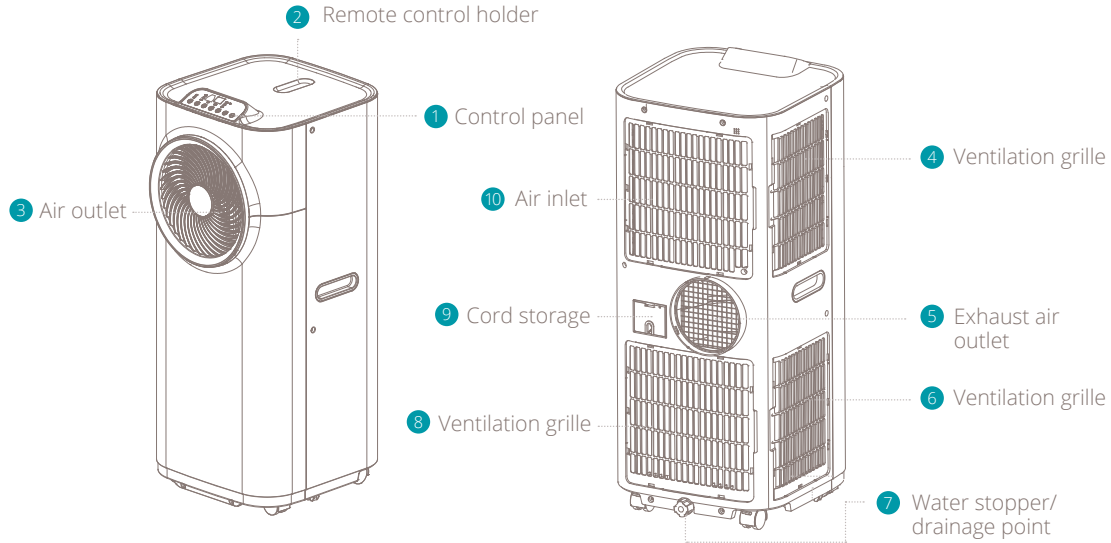


User guide

## Table of contents

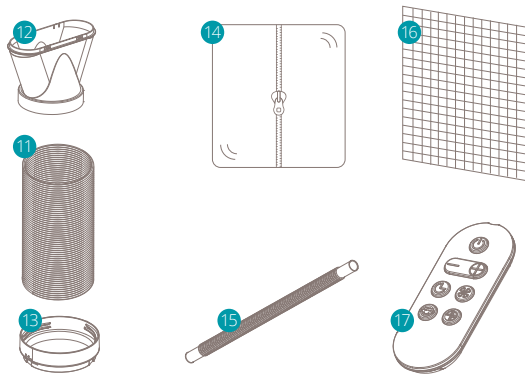
1. Product overview	4
2. Installation and use	5
3. Maintenance	11
4. Functions	12
5. Technical specifications	19
6. FAQ	20

# 1. Product overview



## Accessoires

- 11 Exhaust hose
- 12 Adaptor - for insertion over hose and into window spacer (or into hole in the wall/window).
- 13 Connector for exhaust pipe
- 14 Window kit
- 15 Drain tube for continuous drainage
- 16 Active carbon filter
- 17 Remote control



# 2. Installation and use

## Read before installation

- This appliance is filled with Propane gas R290. Strictly follow the manufacturer's instruction concerning use and repairs.
- Before using the device, please carefully read the entire instruction manual
- Do not install, operate or store the device in a room smaller than 7m<sup>2</sup> (DXMA04) / 10m<sup>2</sup> (DXMA05). This is due to the propane gas in the air conditioner. If it is stored in a space that is too small, this can cause a risk of explosion.



## ⚠ General cautions

- For indoor use only.
- Do not use in cabinet, closets, boats, caravans or similar locations.
- Do not use the device in swimming pools, washrooms or similar wet areas.
- Leave the device to stand for 12hours before connecting to the mains supply after transport or

- when it has been tilted (e.g. during cleaning).
- Only use the device in the upright position on a flat level surface (even during transport) and at least 50cm from any objects.
- Do not use the device in a potentially explosive environment containing combustible liquids, gases or dusts.
- Do not use the device in the vicinity of flammable or explosive substances or fuels. Never use any paint, cleaning sprays, anti-insect sprays or similar near the unit; this could deform the plastic or cause electrical damage.
- Ensure that there is at least 50cm between the sides of the device and any flammable, heating materials.
- Do not place objects on the device or restrict air inlet/outlet.
- Avoid the device from splashing water.
- Closely supervise any children and pets when the device is in use.
- This device can be used by children aged from 8 years and above and persons with reduced physical, sensory or mental capabilities or lack of experience and knowledge if they have been given supervision or instruction concerning use of the appliance in a safe way and understand the hazards involved.
- Keep children away from playing with the device.
- Cleaning and user maintenance shall not be

- made by children without supervision.
- Switch off and unplug the device when not in use.
- Never leave a functioning device unsupervised.
- Do not pull the unit along by the cord.
- Avoid over-twisting, -coiling, -pulling the power cord. Never use nylon or iron wire to tide the power cord.
- Make sure that the plug and socket remain visible and accessible at all the time.
- Do not use extension cords.
- Never reach to retrieve the unit if it has fallen in water. In such case, immediately pull the plug from the mains and have the unit checked before using it again.
- If the supplied power cord is damaged it must be replaced by an electrician or qualified person to avoid any hazard.
- The mains supply must confirm to the specification shown on the rating label on the back of the device.
- The appliance shall be installed in accordance with national wiring regulations.
- Do not exceed the recommended room size for max. efficiency.
- Close doors and windows for optimal efficiency.
- Keep curtains or blinds closed during the sunniest hours of the day.
- Keep filters clean.
- Once the room has reached the desired conditions, reduce the setting for temperature and ventilation.
- Do not turn on the device if you have discovered

damage to the appliance, cord or plug or if the device is malfunctioning or if there are signs of any other defect. Return the complete product to the point of purchase or to a certified electrician for inspection and/or repair. Always ask for original parts. The device (incl. cord and plug) may only be opened and/or repaired by properly authorized and qualified persons.

- Only a licensed professional is allowed to dismantle or modify the device.
- This device is to be used only for its prescribed purpose. Any other use is deemed to be a cause of misuse. The user/operator, not the manufacturer will be liable for any damage or injuries of any kind caused as a result of this.

## Read these warnings carefully

- This device contains R290 refrigerant. R290 is a refrigerant that complies with the relevant European directives. Never puncture the refrigerant circuit. R290 is flammable (GWP3)!
- Do not use any products other than those recommended by the manufacturer to speed up the defrosting process or for cleaning.
- The device must be stored in a room with no continuously working sources of ignition (for example: open fire, a working gas appliance or a working electric heating element).
- Do not pierce or burn any part of the device's cooling circuit. Do not place any light on the device.
- The device must be stored in such a way that no mechanical damage can occur. Refrigerants cannot contain any odour, so you cannot smell signs of a gas leak.
- National gas regulations must be observed.
- Keep the ventilation grills free from obstructions. Anyone involved in working on or penetrating a refrigerant circuit must be in possession of a current valid certificate issued by an industry-approved body authorised to do so.

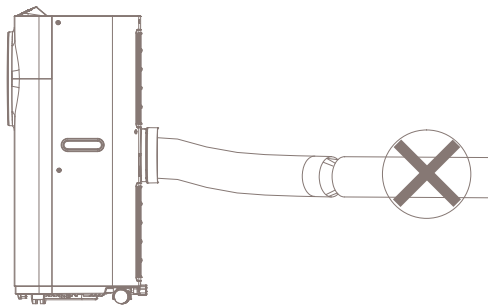
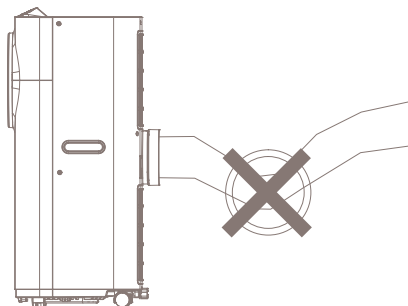
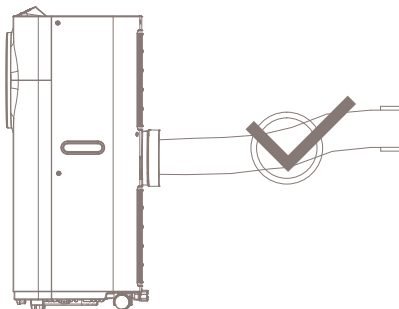
## Installation of the window kit

Blizzard is a portable air conditioner that may be moved from room to room. Please refer to the separate instructions on how to install the included window sealing set.

## Mounting of the exhaust pipe

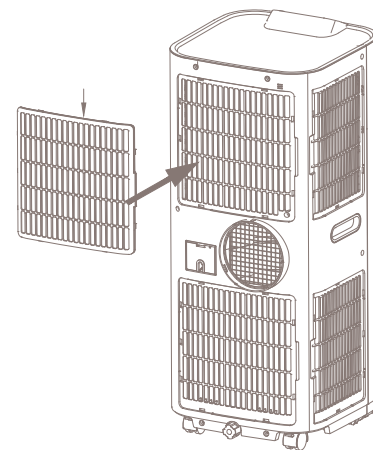
- Use only the hose provided and clip exhaust hose to the back of the air conditioner
- Avoid kinks and bends in the exhaust hose as this will cause expelled moist air to build up causing the unit to overheat and shut down. Figures below will show the correct position.
- The hose may be extended from 300mm to 1500mm but for maximum efficiency use the shortest length possible.

⚠ **Warning!** The length of the exhaust pipe is specially designed according to the specification of this product. Do not replace or prolong it with your own private hose as this could cause the unit to malfunction.



## Installation of the carbon filter

- 1 Carefully remove the upper grill at the back of the air conditioner.
- 2 Remove the filter from the unit.
- 3 Remove the active carbon filter from its plastic bag.
- 4 Insert the active carbon filter into the back of the unit.
- 5 Re-fit the filter inside the unit.
- 6 Place the grill back on the air conditioner.



## Installation of the remote control

- 1 Remove the lid.
- 2 Place the battery according to the instructions on the lid with the correct polarity.
- 3 Close the lid.

### ⚠ **Opmerking:**

- Only use 1x CR2032 3V batteries
- Non-rechargeable batteries are not to be recharged
- Exhausted batteries are to be removed from the remote control and safely disposed of
- If the remote control is to be stored unused for a long period, the battery should be removed
- The supply terminals are not to be short-circuited.

## Tips and recommendations

Neem voor het verkrijgen van het hoogste rendement van de airconditioner de volgende aanbevelingen in acht:

- To obtain the highest air conditioner efficiency, observe the following recommendations:
- Close windows and doors in the room to be air conditioned. The only exception is installation through a hole in the wall. In this case, it is recommended to leave a door or window ajar to ensure ventilation.
- Do not use the device in rooms with high humidity (e.g. laundry rooms).
- Protect the room from direct sunlight by closing the curtains and/or partially closing the blinds, thus ensuring highly economical operation (Fig. 21).
- Do not use the device outdoors.
- Make sure there are no heat sources in the room.
- Make sure that the air conditioner is placed on a flat floor.
- Do not place items on top of the air conditioner.
- Do not obstruct the air inlets.

**⚠ Attention!** *when the outside temperature is warm for a long period of time, this heat will also be noticeable in the house. Furniture, bedding, curtains, carpets and the like can retain a lot of heat. As a result, the air conditioner may need longer to cool the room.*

## 3. Maintenance

Always unplug the air conditioner from the mains before cleaning. To maximize the efficiency of the air conditioner, clean regularly.

### Cleaning the body

Use a soft, damp cloth to wipe the body clean. Never use aggressive chemicals, gasoline, detergents, chemically treated cloths, or other cleansing solutions. These all could possibly hurt the casing material.

### Cleaning the filter

Use a vacuum cleaner or tap the filter lightly to remove loose dust and dirt from the filters and then rinse thoroughly under running water (no hotter than 40°C). Dry thoroughly before replacing.

**⚠ Note:** *Never operate the unit without the filter.*

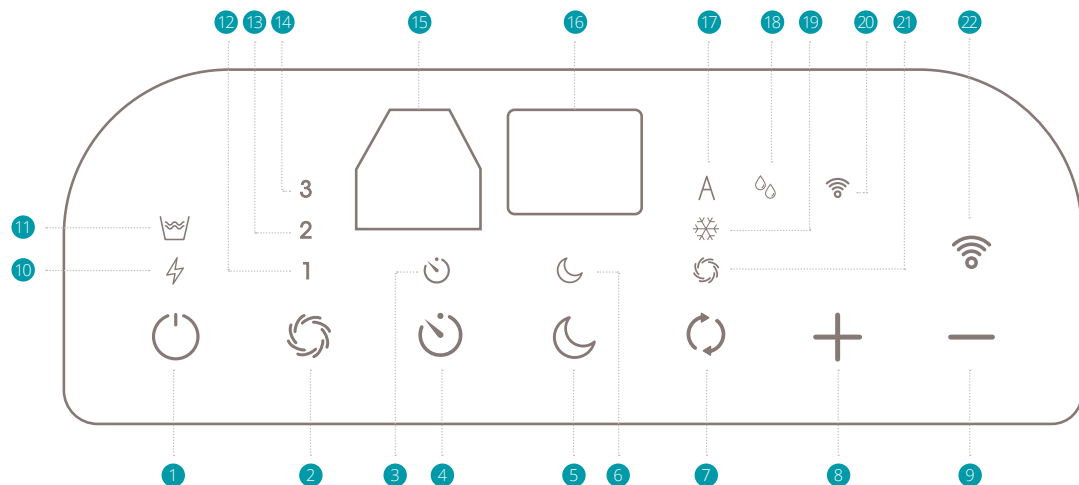
**⚠ Tip:** *clean the filter every 2 weeks. A clean filter improves the operation of the air conditioner! You can remove dust particles from the filter using a dry cloth or through careful use of a vacuum cleaner.*

**⚠ Attention:** *never use the air conditioner without a filter. This will lead to dust particles on the ribs which you will not be able to remove later.*

### Long term storage

- Drain any remaining water in the unit
- Operate the unit in ventilation mode only for a few hours to thoroughly dry the inside.
- Clean or change the filter.
- Unplug and store the power cord.
- Cover the device in a close carton or bag (not hotter than 40°C). Dry thoroughly before storing.
- Do not store the device in a room smaller than 7m<sup>2</sup> (DXMA04) / 10m<sup>2</sup> (DXMA05). This is due to the propane gas in the air conditioner. If it is stored in a space that is too small, this can cause a risk of explosion.

## 4. Functions



- 1 On/Off (power)
- 2 Speed (ventilation)
- 3 Timer indicator
- 4 Timer
- 5 Night mode
- 6 Night mode indicator
- 7 Select mode
- 8 Temperature up
- 9 Temperature down
- 10 Indicator for compressor operation
- 11 Full Water indicator

- 12 Low ventilation indicator
- 13 Middle ventilation indicator
- 14 High ventilation indicator
- 15 Receiver for remote control
- 16 LCD display
- 17 Auto mode indicator
- 18 Dehumidifying mode indicator
- 19 Cooling mode indicator
- 20 WiFi button/indicator
- 21 Fan mode indicator
- 22 WiFi button

### Power switch

- 1 Press the ON/OFF button and the unit will start. If the ambient temperature is:
  - Higher than 22°C, the unit will operate in cooling mode.
  - Higher than 20°C but below or equal to 22°C, the unit will operate in ventilation mode.
- 2 Indicators of the functions in progress are shown simultaneously.

**Note:** The display window shows the ambient room temperature from 0°C to 50°C.

- 3 To turn the unit off, press ON/OFF button again

### Select operation mode

Press the MODE button to select the preferred operation mode: automatic, cooling, fan or dehumidify. The indicator of your selected mode will illuminate.

### Cooling mode

When the air conditioner is in cooling mode, it cools the room. The compressor is then switched on. When the air conditioner has reached the desired temperature, it will switch to ventilation mode.

### Ventilation mode

In ventilation mode, the air conditioner will only ventilate. It circulates the air in the room, which has a cooling effect. The compressor will not switch on in this mode.

### Automatic mode

When the AUTO mode is active, the ventilation speed is automatically selected based on the ambient temperature (the relevant indicator lights up). The SPEED button is locked in AUTO mode.

### Setting the temperature

- 1 Press 'Temperature up' or 'Temperature down' button to regulate the temperature according to your preference.
- 2 The display window will show the desired temperature as you press 'Temperature up' or 'Temperature down' button. In stand-by mode, it will always show the ambient temperature.
- 3 The default factory setting of this machine is 24°C for cooling.

## Adjusting the ventilation speed

- 1 Press the SPEED button to choose the ventilation speed you prefer: high, medium or low. The indicator of high, medium or low ventilation will illuminate.

## Setting the timer

- 1 By pressing the TIMER button without using the other functions, you can activate a start delay. For example, if you set the timer to '2', the unit will automatically start after 2 hours.
- 2 Press the TIMER button to set a time-out (1 to 24 hours, the timer indicator will illuminate). When the set time has been reached, the machine will turn off automatically. The LCD display will show the hour(s) you set as you press the TIMER button.

## Night mode

- 1 When pressing the NIGHT mode button in cooling mode, the set temperature will increase with 1°C after one hour, another 1°C after two hours and then stays at that temperature.
- 2 In NIGHT mode, the ventilation will remain at low speed. By pressing the NIGHT mode button again, the temperature and ventilation speed will return to the previous settings.

- 3 The unit will shut down automatically when NIGHT mode is running for more than 12 hours.

**⚠ Note:** *the night mode is not available while the machine is operating in AUTO, Fan (ventilation) or Dehumidification mode.*

**⚠ Note:** *In night mode, the display will automatically dim after a few seconds. Press any key to reactive the control panel.*

## Self-diagnosis

This machine is equipped with self-diagnosis software. If the device is not working, the LCD display will show "E1" or "E2". When this occurs, please contact your point of purchase. All the above functions can also be performed with the supplied remote control. This remote control requires a cell battery CR2032 to operate.

**⚠ Note:**

- *To prolong the lifespan of the compressor, please wait at least 3 minutes before re-switching on the device after switching off.*
- *The cooling system will switch off if the ambient temperature is lower than the set one. However, the ventilation keeps operating on the set level. If the ambient temperature rises above the selected level, the cooling will return to work.*

## Drainage

During the process of cooling, some water will be extracted from the air into the unit. If the reservoir is full, both of the compressor and motor will switch off and the units will buzz (press any button to turn it off). The WATER FULL indicator will flash to show you. In this case, please empty the water by following the steps below:

- 1 Turn off the air conditioner and avoid moving it when the water tank is full.
- 2 Put a container (a water tray for example) underneath the drain hole.
- 3 Remove the drain knob & rubber plug from the drain hole and allow the water to drain out.
- 4 When the container is almost full, close the drain hole with the rubber plug and empty the water tray.
- 5 Repeat until the unit is fully empty.
- 6 Replace the rubber plug and firmly tighten the drain knob.
- 7 Switch on the device - the full water indicator should not be flashing anymore.

If you wish to operate the unit without the need to empty the water tank (continuous drainage), please follow these steps:

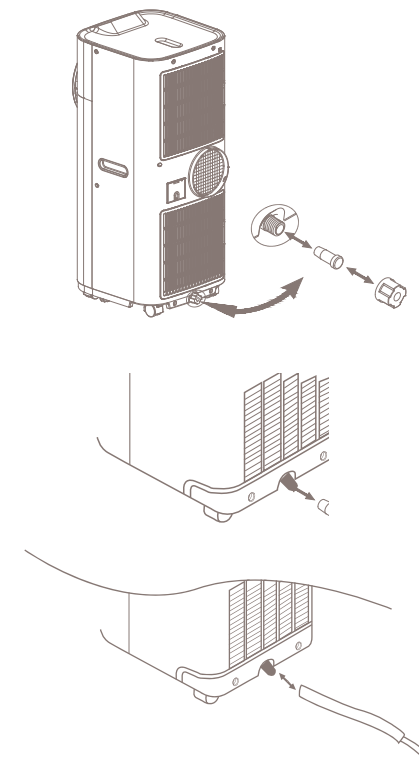
- Remove the drain knob and rubber plug and retain for future use.
- Connect the drain tube supplied to the water outlet as shown and locate the other end into a

drain.

- The drain tube may be extended by adding an extension tube and using a suitable connector.

**⚠ Note:**

- *The drain must be at or below the outlet level.*
- *The FULL WATER indicator will be disabled in this mode of drainage.*

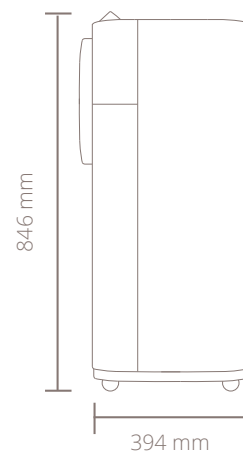
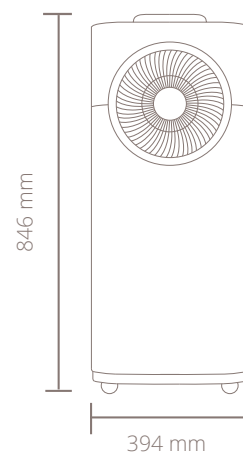






Cold arctic  
air delivered  
through an  
unconventional  
design.

## 5. Technical specifications



Cooling capacity:  
10.000/12.000btu/h



Power consumption:  
1-1150/1350W



Noise level:  
53-63dBa



Air volume:  
440/410m<sup>3</sup>/hr



Effective area:  
25/28m<sup>2</sup>



Operation modes:  
5 (auto, cooling, manual,  
dehumidifying, night mode)



Refrigerant:  
R290



Display:  
Digital LED



Control panel:  
Soft touch



Timer:  
0-24h



Model no.:  
DXMA04/05

The appearance  
and specification of  
the device may be  
changed without  
notice.

## 6. FAQ

### Q. The airconditioner does not turn on. What should I do?

- A. - Please check if the air conditioner is plugged in
- Please check for a possible power failure
- Please check if the WATER FULL indicator is blinking. If so, empty the water tank.
- Please check if the room temperature is below the set temperature. In that case, the device will not cool.

### Q. The device seems to have little effect. What is wrong or how can I improve this?

- A. - Please check if direct sunlight is entering the room. Close all curtain to keep the warmth outside.
- Close doors and windows
- Many people in the room rises the room temperature which makes it harder to reach the desired temperature
- Please check if there is something is the room that could produce a lot of heat (e.g. microwave)
- Please check if the air intake or output are blocked
- Please check if the room temperature is below the set temperature. In that case, the device will not cool.

### Q. The unit makes a lot of noise. What is wrong?

- A. Please check if the device is on a stable surface and not positioned unevenly. This could cause the compressor to make loud noise.

### Q. The compressor doesn't work. What is wrong?

- A. It could be possible that the overheat protection of the compressor is on. Wait a few minutes for the temperature to drop.

### Q. I see an error code. What does it mean?

- A. See below table with error codes and their explanations. In all cases, please contact your point of sale of local service point for repair.

E1	Resin head sensor on the evaporator broke down
E2	Copper head sensor on the discharge tube broke down
E3	Temperature Control (TC) sensor wire is loose or broke down. The compressor and fan motor will stop.
E4	When the TC sensor wire senses the temperature is $>$ or $=$ $130^{\circ}\text{C}$ for more than 5 seconds. The compressor and fan motor stop.

## Disposal

The European directive 2012 / 19 / CE on Waste Electrical and Electronic Equipment (WEEE), requires that old household electrical appliances must not be disposed in the normal unsorted municipal waste stream. Old appliances must be collected separately in order to optimize the recovery and recycling of the materials they contain and reduce the impact on human health and the environment. The crossed out "wheeled bin" symbol on the product reminds you of your obligation, that when you dispose of the appliance it must be separately collected. Consumers should contact their local authority or retailer for information concerning the correct disposal of their old appliance.



# Bedankt dat je voor Duux hebt gekozen.

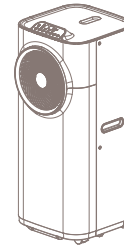
We zijn blij dat je hebt besloten om de handleiding van je nieuwe Duux mobiele airco te lezen! Veel gebruikers slaan de instructies over en gaan direct met het apparaat aan de slag. Echter verschillende studies tonen aan dat mensen die eerst de gebruikershandleiding lezen, sneller en efficiënter van start kunnen dan mensen die zomaar wat proberen.

Bij Duux geloven we in een comfortabele en gezonde leefomgeving voor iedereen. Het verbeteren van het binnenklimaat met aantrekkelijke, functionele en effectieve producten is onze dagelijkse passie. Met onze reeks van innovatieve luchtbehandelingsproducten streven we er naar om jou van de best mogelijke luchtkwaliteit te voorzien.

Onproductieve dagen, zweterige etentjes of slapeloze nachten: onze zomers worden elk jaar langer en heter. Tijd dus voor een nieuwe beste vriend die je dag een stuk aangenamer maakt. Dit is Blizzard: een mobiele airco met front output voor extra efficiënte verkoeling. Met zijn fraaie design is het een ware blikvanger. En dankzij de wielen en grepen aan weerszijden kun je hem overal neerzetten. Zo blijf je altijd koel.

Lees de handleiding goed door om het meeste uit je Blizzard mobiele airco te halen.

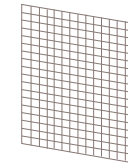
## Inhoud verpakking



Blizzard



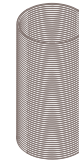
Raamafdichtingset



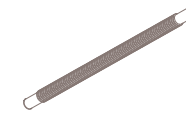
Actief koolstoffiler



Afstandsbediening



Uitlaatslang



Afvoerslang voor  
continue afvoer



Aansluitstuk voor uitlaatslang



Adapter

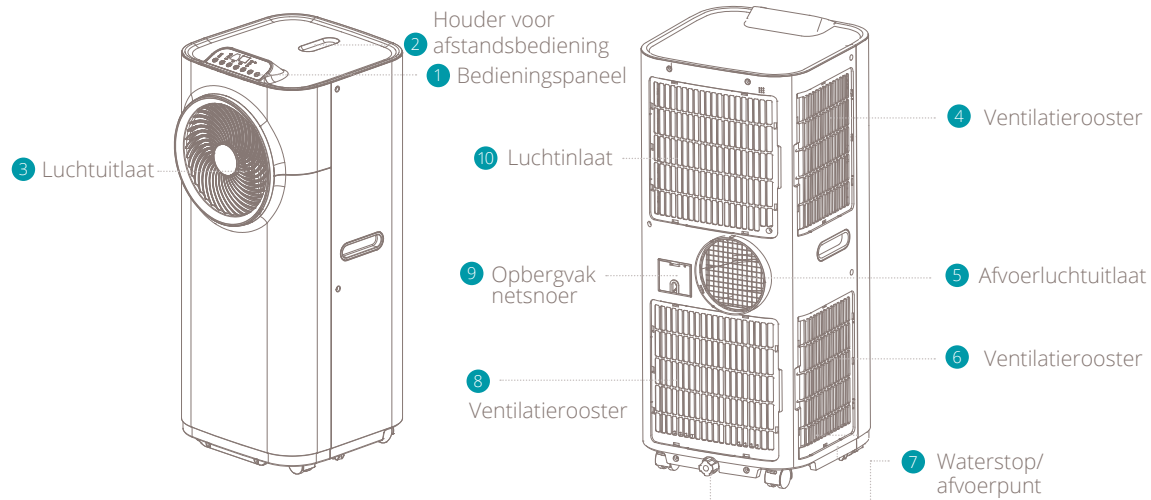


Gebruikershandleiding

## Inhoudsopgave

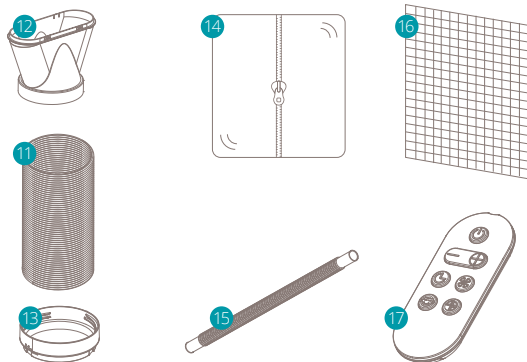
1. Productoverzicht	<b>24</b>
2. Installatie en gebruik	<b>25</b>
3. Onderhoud	<b>31</b>
4. Functies	<b>32</b>
5. Technische specificaties	<b>39</b>
6. Veelgestelde vragen FAQ	<b>40</b>

# 1. Productoverzicht



## Accessoires

- 11 Uitlaatslang
- 12 Adapter - om over slang en in raamschuif te plaatsen (of in een gat in de muur/het raam).
- 13 Aansluitstuk voor uitlaatslang
- 14 Raamafdichtingsset
- 15 Afvoerslang voor continue afvoer
- 16 Actieve-koolfilter
- 17 Afstandsbediening



# 2. Installatie en gebruik

## Lezen vóór installatie:

- Dit apparaat is gevuld met propaangas R290. Volg de instructie van de fabrikant met betrekking tot gebruik en reparaties strikt op.
- Lees eerst de hele handleiding aandachtig door voordat u het apparaat gaat gebruiken.
- Installeer, bedien of bewaar het apparaat niet in een ruimte kleiner dan 7m<sup>2</sup> (DXMA04) / 10m<sup>2</sup> (DXMA05). Dit heeft te maken met het propaangas wat zich in de airco bevindt. Wanneer deze in een te kleine ruimte wordt opgeslagen kan dit explosiegevaar veroorzaken.



## ⚠ Algemene waarschuwingen

- Uitsluitend binnenshuis gebruiken.
- Niet gebruiken in kasten, boten, caravans of soortgelijke plekken.
- Gebruik het apparaat niet in zwemgelegenheden, wasruimtes of soortgelijke vochtige omgevingen.
- Laat het apparaat na transport of nadat het is gekanteld (bv. tijdens het schoonmaken) 12 uur rechtop staan voordat u het op de netvoeding

aansluit.

- Zet het apparaat altijd rechtop op een vlak oppervlak (zelfs tijdens transport) en op ten minste 50 cm afstand van eventuele voorwerpen.
- Gebruik het apparaat niet in explosiegevaarlijke omgevingen met ontvlambare vloeistoffen, gassen of stof.
- Gebruik het apparaat niet in de buurt van ontvlambare of explosieve (brand)stoffen. Gebruik geen verf, reinigingsmiddelen, anti-insectmiddelen of soortgelijke middelen vlak bij het apparaat; dit kan het plastic vervormen of elektrische schade veroorzaken.
- Zorg ervoor dat de afstand tussen de zijkanten van het apparaat en eventuele ontvlambare verwarmingsbrandstoffen ten minste 50 cm bedraagt.
- Plaats geen objecten op het apparaat en houd de luchtinlaat/-uitlaat vrij.
- Laat het apparaat niet in contact komen met opspattend water.
- Houd kinderen en huisdieren nauwlettend in de gaten terwijl het apparaat in gebruik is.
- Dit apparaat kan worden gebruikt door kinderen vanaf 8 jaar en personen met verminderde lichamelijke, zintuiglijke of verstandelijke vermogens of een gebrek aan ervaring en kennis, mits ze onder toezicht staan of instructies hebben gekregen over hoe ze het apparaat op een veilige manier kunnen gebruiken en de risico's begrijpen.
- Zorg ervoor dat kinderen niet met het apparaat

spelen.

- Reiniging of onderhoud mag niet door kinderen worden uitgevoerd, tenzij onder toezicht.
- Schakel het apparaat uit en trek de stekker uit het stopcontact wanneer u het niet gebruikt.
- Houd altijd toezicht als het apparaat in gebruik is.
- Trek het apparaat niet voort via de kabel.
- Voorkom dat het netsnoer verdraaid, opgewikkeld of uitgerekt wordt. Gebruik nooit nylon of ijzerdraad om het netsnoer samen te binden.
- Zorg ervoor dat de stekker en het stopcontact te allen tijde zichtbaar en toegankelijk blijven.
- Gebruik geen verlengkabels.
- Probeer het apparaat niet te pakken als het in water is gevallen. Trek in dat geval onmiddellijk de stekker uit het stopcontact en laat het apparaat nakijken voordat u het weer in gebruik neemt.
- Indien het meegeleverde netsnoer beschadigd is, moet dit door een elektricien of gekwalificeerd persoon worden vervangen om gevaarlijke situaties te voorkomen.
- De voedingsspanning dient overeen te komen met de specificatie op het typeplaatje aan de achterzijde van het apparaat.
- Het apparaat moet overeenkomstig nationale bedradingsvoorschriften worden geïnstalleerd.
- Zet het apparaat niet in een ruimte die groter is dan aanbevolen voor maximale efficiëntie.
- Sluit deuren en ramen voor optimale efficiëntie.
- Houd gordijnen of jaloezieën dicht op de zonnigste uren van de dag.
- Houd de filters schoon.

- Pas de instellingen voor temperatuur en ventilatie aan wanneer de gewenste waarden zijn bereikt.
- Schakel het apparaat niet in als u merkt dat het apparaat, de kabel of de stekker beschadigd is of als het apparaat niet correct werkt of een ander defect vertoont. Breng het complete apparaat naar het verkooppunt of naar een gecertificeerde elektricien voor inspectie en/of reparatie. Vraag altijd om originele onderdelen. Het apparaat (incl. snoer en stekker) mag uitsluitend worden geopend en/of gerepareerd door daartoe bevoegde of gekwalificeerde personen.
- Alleen erkende professionals mogen het apparaat demonteren of aanpassen.
- Dit apparaat mag uitsluitend voor het bestemde doel worden gebruikt. Enig ander gebruik wordt gezien als oneigenlijk gebruik. De gebruiker/bediener en niet de fabrikant is aansprakelijk voor eventuele schade of letsel als gevolg hiervan.

## Lees deze waarschuwingen zorgvuldig

- Dit apparaat bevat het koelmiddel R290. R290 is een koudemiddel dat voldoet aan de relevante Europese richtlijnen. Perforeer het koudemiddelcircuit nooit. R290 is ontvlambaar (GWP3)!
- Gebruik geen andere middelen om het ontdooi proces te versnellen of te reinigen dan die welke door de fabrikant worden aanbevolen.
- Het apparaat moet worden opgeslagen in een ruimte zonder continu werkende ontstekingsbronnen (bijvoorbeeld: open vuur, een werkend gastoestel of een werkend elektrisch verwarmingselement).
- Doorboor of verbrand geen van de onderdelen van het koelcircuit van het apparaat. Zet geen licht op het apparaat.
- Het apparaat moet zo worden opgeslagen dat er geen mechanische schade kan ontstaan.
- Koelmiddelen kunnen geen geur bevatten, hierdoor kunt u signalen van een lekkage ruiken.
- De nationale gas voorschriften moeten worden nageleefd.
- Houd de ventilatieopeningen vrij van verstoppingen.
- Elke persoon die betrokken is bij het werken aan of inbreken in een koelmiddel circuit moet in het bezit zijn van een actueel geldig certificaat van een door de industrie erkende instantie, die hiervoor bevoegd is.

## Installatie van de raamafdichtingsset

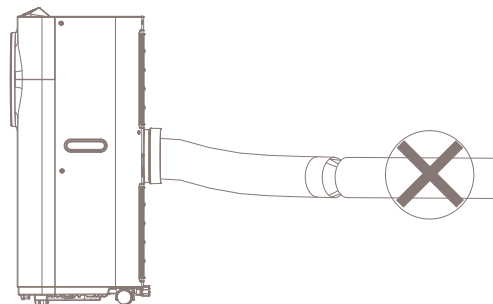
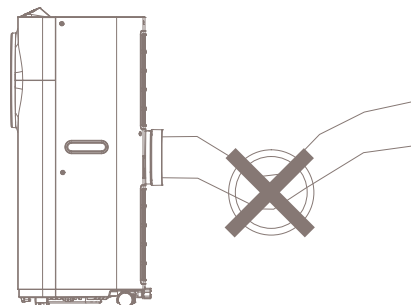
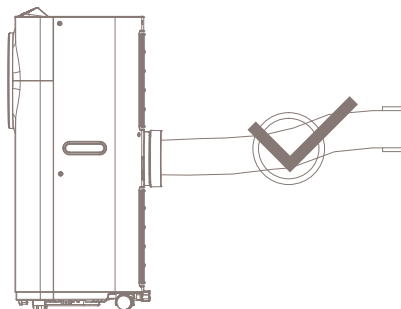
De Blizzard is een mobiele airco die van de ene naar de andere ruimte kan worden verplaatst.

Raadpleeg de afzonderlijke instructies voor de installatie van de bijgeleverde raamafdichtingsset.

## Montage van de uitlaatslang

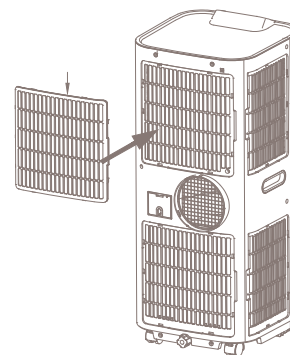
Gebruik uitsluitend de meegeleverde slang en breng deze aan de achterzijde van de airco aan.

- Voorkom dat de uitlaatslang verdraaid of geknikt is, aangezien dit tot een ophoping van vochtige lucht leidt, wat oververhitting en uitschakeling van het apparaat kan veroorzaken. De afbeeldingen onder tonen de correcte positie.
- De slang kan van 300 mm tot 1500 mm worden verlengd; voor maximale efficiëntie moet u de slang echter zo kort mogelijk houden.



## Installatie van het actieve-koolfilter

- 1 Verwijder voorzichtig het bovenste rooster aan de achterzijde van de airco.
- 2 Verwijder het filter van het apparaat.
- 3 Haal het actieve-koolfilter uit de plastic verpakking.
- 4 Plaats het actieve-koolfilter aan de achterzijde van het apparaat.
- 5 Installeer het filter in het apparaat.
- 6 Plaats het rooster terug in de airco.



**⚠ Waarschuwing!** De lengte van de uitlaatslang is specifiek afgestemd op de specificaties van dit apparaat. Vervang de slang niet door of verleng deze niet met een eigen slang, aangezien dit tot een storing van het apparaat kan leiden.

## Installatie van de afstandsbediening

- 1 Verwijder het deksel.
- 2 Plaats de batterij volgens de instructies op het deksel met de juiste polariteit.
- 3 Sluit het deksel.

### ⚠ **Opmerking:**

- Gebruik slechts één CR2032 3V-batterij.
- Niet-oplaadbare batterijen dienen niet te worden opgeladen.
- Lege batterijen dienen uit de afstandsbediening te worden gehaald en op een veilige manier te worden afgevoerd.
- Indien de afstandsbediening voor langere tijd ongebruikt wordt opgeborgen, dient de batterij te worden verwijderd.
- Er mag geen kortsluiting aan de aansluitblokken worden veroorzaakt.

## Tips en aanbevelingen

Neem voor het verkrijgen van het hoogste rendement van de airconditioner de volgende aanbevelingen in acht:

- Sluit ramen en deuren van de te conditioneren ruimte. De enige uitzondering is de installatie via een gat in de wand. In dat geval wordt het aanbevolen een deur of raam op een kier te zetten, zodat de luchtverversing wordt gewaarborgd.
- Gebruik het apparaat niet in ruimten met een hoge vochtigheidsgraad (bijv. wasserij).
- Bescherm de kamer tegen direct zonlicht door de gordijnen dicht te trekken en/of de luxaflex gedeeltelijk te sluiten, zodat een zeer zuinige werking wordt verkregen (afb. 21).
- Gebruik het apparaat niet buiten.
- Zorg ervoor dat er in de ruimte geen warmtebronnen zijn.
- Controleer dat de airconditioner is geplaatst op een vlakke vloer.
- Plaats geen voorwerpen op de airconditioner
- Belemmer de luchtinlaatopeningen niet

**⚠ Let op!** Wanneer de buitentemperatuur een langere periode warm is zal deze warmte ook in huis merkbaar zijn. Meubels, beddengoed, gordijn, tapijten en dergelijke houden flink wat warmte vast. De airco heeft daardoor mogelijk langer tijd nodig de ruimte te verkoelen.

## 3. Onderhoud

Trek altijd de stekker van de airco uit het stopcontact voordat u het apparaat schoonmaakt. Maak het apparaat regelmatig schoon voor maximale efficiëntie.

### De behuizing schoonmaken

Gebruik een zachte, vochtige doek om de behuizing schoon te vegen.

Gebruik nooit agressieve chemicaliën, benzine, reinigingsmiddelen, chemisch behandelde doeken of andere reinigungsoplossingen. Deze kunnen het behuizingsmateriaal beschadigen.

### Het filter schoonmaken

Gebruik een stofzuiger of tik zachtjes op het filter om stof en vuil te verwijderen en spoel de filters vervolgens grondig onder stromend water (max. 40 °C). Laat de filters goed drogen voordat u ze terugplaatst.

**⚠ Let op:** Gebruik het apparaat niet zonder de filters.

**⚠ Tip:** reinig het filter elke 2 weken. Een schone filter bevordert de werking van de airco! Je kunt het filter met een droge doek of voorzichtig met de stofzuiger ontzien van stofdeeltjes.

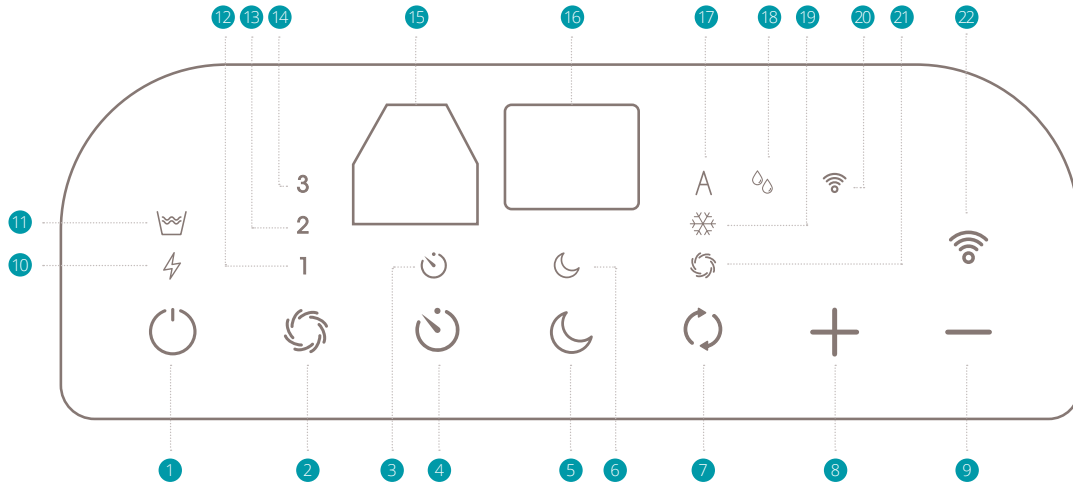
**⚠ Let op:** Gebruik de airco nooit zonder filter. Hierdoor komen er stofdeeltjes op de ribben terecht welke je later niet meer kunt verwijderen.

### Langdurige opslag

- Laat al het water uit het apparaat weglopen.
- Schakel daarna enkele uren de ventilatiemodus in om de binnenkant van de airco goed droog te maken.
- Maak het filter schoon of vervang dit.
- Trek de stekker uit het stopcontact en berg het netsnoer op.
- Dek het apparaat af met een zak of doe het in een dichte kartonnen doos.
- Bewaar het apparaat niet in een ruimte kleiner dan 7m<sup>2</sup> (DXMA04) / 10m<sup>2</sup> (DXMA05). Dit heeft te maken met het propaangas wat zich in de airco bevind. Wanneer deze in een te kleine ruimte wordt opgeslagen kan dit explosiegevaar veroorzaken.



## 4. Functies



- 1 Aan/Uit (in-/uitschakeling)
- 2 Snelheid (ventilatie)
- 3 Timerindicator
- 4 Timer
- 5 Nachtmodus
- 6 Indicator nachtmodus
- 7 Modusselectie
- 8 Temperatuur hoger
- 9 Temperatuur lager
- 10 Indicator voor werking compressor
- 11 Indicator watertankniveau (tank vol)

- 12 Indicator lage ventilatie
- 13 Indicator gemiddelde ventilatie
- 14 Indicator hoge ventilatie
- 15 Ontvanger voor afstandsbediening
- 16 LCD-scherm
- 17 Indicator automatische modus (AUTO)
- 18 Indicator ontvochtigingsmodus
- 19 Indicator koelmodus
- 20 Wifi-knop/-indicator
- 21 Indicator ventilatiemodus
- 22 Wifi-knop

### Aan-uitknop

- 1 Druk op de aan-uitknop en het apparaat start. Als de omgevingstemperatuur:
  - hoger dan 22 °C is, werkt het apparaat in de koelmodus.
  - hoger dan 20 °C, maar lager dan of gelijk aan 22 °C is, werkt het apparaat in de ventilatiemodus.
- 2 Er worden tegelijkertijd indicators van de actieve functies weergegeven.

**⚠ Opmerking:** Het scherm toont de omgevingstemperatuur (0 °C tot 50 °C)..

- 3 Druk nogmaals op de aan-uitknop om het apparaat uit te schakelen.

### De modus kiezen

Druk op de MODUS-knop om de gewenste modus te kiezen: automatisch, koelen, ventilatie of ontvochtiging. De indicator van de gekozen modus gaat branden.

### Koelmodus

Wanneer de airco in de koelmodus staat verkoeld deze de ruimte. De compressor wordt hierbij ingeschakeld. Wanneer de airco de gewenste temperatuur heeft bereikt zal deze overgaan op de ventilatie stand.

### Ventilatiemodus

In ventilatiemodus zal de airco enkel ventileren. Hij verplaatst hierbij de lucht in de ruimte wat een verkoelend effect heeft. De compressor zal in deze modus niet inschakelen.

### Automatische modus

Als de modus AUTO actief is, wordt de ventilatiesnelheid automatisch gekozen op basis van de omgevingstemperatuur (de relevante indicator gaat branden). In de AUTO modus is de SNELHEID-knop vergrendeld. In de auto modus: boven 24 graden gaat hij koelen. Daaronder gaat de compressor uit maar gaat de ventilator draaien.

### De temperatuur instellen

- 1 Druk op de knop 'Temperatuur hoger' of 'Temperatuur lager' om de gewenste temperatuur in te stellen.
- 2 Het scherm toont de temperatuur terwijl u op de knop 'Temperatuur hoger' of 'Temperatuur lager' drukt. In de Stand-by modus wordt altijd de omgevingstemperatuur weergegeven.
- 3 De fabrieksinstellingen van dit apparaat is 24 °C voor koelen.

### De ventilatiesnelheid aanpassen

- 1 Druk op de SNELHEID-knop om de gewenste ventilatiesnelheid te kiezen: hoog, gemiddeld of laag. De indicator voor hoge, gemiddelde, of lage ventilatie gaat branden.

## De timer instellen

- 1 Door op de TIMER-knop te drukken zonder de andere functies te gebruiken, kunt u een startvertraging activeren. Als u de timer bijvoorbeeld op '2' zet, start het apparaat automatisch na 2 uur.
- 2 Druk op de TIMER-knop om een time-out in te stellen (1 tot 24 uur, de timerindicator gaat branden). Als de ingestelde tijd is bereikt, schakelt het apparaat automatisch uit. Het LCD-scherm toont het uur/de uren die u instelt terwijl u op de TIMER-knop drukt.

## Nachtmodus

- 1 Als u in de koelmodus de knop NACHT-modus indrukt, stijgt de ingestelde temperatuur met 1 °C na één uur en met nog eens 1 °C na twee uur. Daarna blijft de temperatuur op dit niveau.
- 2 In de NACHT-modus blijft de ventilatiesnelheid laag. Door nogmaals op de knop NACHT-modus te drukken, worden de eerdere temperatuurwaarde en ventilatiesnelheid weer geactiveerd.
- 3 Het apparaat schakelt automatisch uit wanneer de NACHT-modus meer dan 12 uur actief is.

**⚠ Let op:** de nachtmodus is niet beschikbaar terwijl het apparaat werkt in de AUTO-modus, Ventilator (ventilatie) of Ontvochtiging.

**⚠ Opmerking:** In de nachtstand dimt het scherm na een aantal seconden automatisch. Druk op een willekeurige toets om het bedieningspaneel weer te activeren.

## Zelfdiagnose

Dit apparaat is uitgerust met zelfdiagnosesoftware. Als het apparaat niet werkt, toont het LCD-scherm "E1" of "E2". Als dit gebeurt, neem dan contact op met het verkooppunt.

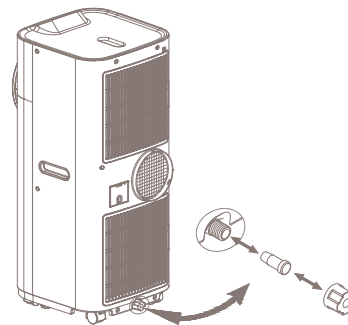
Alle bovengenoemde functies kunnen ook met de meegeleverde afstandsbediening worden uitgevoerd. Voor deze afstandsbediening is een celbatterij (CR2032) vereist.

### ⚠ Opmerking:

- Voor een langere levensduur van de compressor moet u na het uitschakelen van het apparaat ten minste 3 minuten wachten voordat u het opnieuw inschakelt.
- Het koelsysteem schakelt uit als de omgevingstemperatuur lager is dan de ingestelde temperatuur. De ventilatie blijft echter werken volgens de ingestelde waarde. Als de omgevingstemperatuur stijgt tot boven de geselecteerde waarde, wordt koeling weer actief.

## Legen

Tijdens het koelproces condenseert het water uit de lucht gedeeltelijk in het apparaat. Als de tank vol is, schakelen zowel de compressor als de motor uit en gaan beide zoemen (druk op een willekeurige knop om dit uit te schakelen). De indicator TANK VOL gaat vervolgens knipperen. In dat geval moet u de tank als volgt legen:

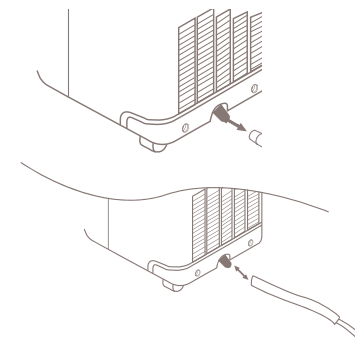


- 1 Schakel de airco uit en beweeg deze niet als de watertank vol is.
- 2 Plaats een opvangbak (bijvoorbeeld een waterbak) onder de afvoeropening.
- 3 Verwijder de afvoerknop en rubber stop uit de afvoeropening en laat het water uit de tank lopen.
- 4 Als de bak bijna vol is, dicht de afvoeropening dan af met de rubber stop en leeg de opvangbak.
- 5 Herhaal deze stappen tot al het water uit het apparaat is verwijderd.

- 6 Plaats de rubber stop terug en draai de afvoerknop stevig vast.
- 7 Schakel het apparaat in - de indicator TANK VOL zou niet meer moeten knipperen.

Als u het apparaat wilt gebruiken zonder de watertank te hoeven legen (continue afvoer), moet u de onderstaande stappen volgen:

- Verwijder de afvoerknop en rubber stop en bewaar deze voor toekomstig gebruik.
- Sluit de meegeleverde afvoerslang aan op de wateruitlaat (zie afbeelding) en doe het andere eind in een afvoer.
- De afvoerslang kan worden verlengd met behulp van een verlengslang en een geschikt koppelstuk.



### ⚠ Let op:

- De afvoer moet zich op de hoogte van of onder de afvoeropening bevinden.
- De indicator TANK VOL is uitgeschakeld bij deze manier van waterafvoer.

## Wifi-modus

Houd de  knop vijf seconden ingedrukt om te wifi-modus te activeren. De indicator knippert en gaat op zoek naar apparaten om mee te verbinden. Eenmaal verbonden, blijft de  knop branden.

## Bediening van wifi en app

Scan de onderstaande QR-code om de Duux-app te downloaden of zoek de Duux-app in de App Store of Google Play Store. Voer na de installatie je e-mailadres in en rond de registratie af.




APP STORE



PLAY STORE

## Verbinden met wifi

- 1 Klik na de registratie op 'add duux device' op het hoofdscherm of gebruik de knop '+' rechtsboven om een nieuw apparaat toe te voegen.
- 2 Zoek naar 'Blizzard' en klik hierop om door te gaan.
- 3 Maak verbinding met het gewenste wifi-netwerk en voer het bijbehorende wachtwoord in.
- 4 Volg de instructies in de app om de verbindingsprocedure te voltooien.

 **Opmerking:** Mocht u problemen ondervinden bij het verbinden of gebruiken van de app, raadpleeg dan de FAQ in het app-menu.

## Notes

---

---

---

---

---

---

---

---

---

---

---

---

---

---

---

---

---

---

---

---

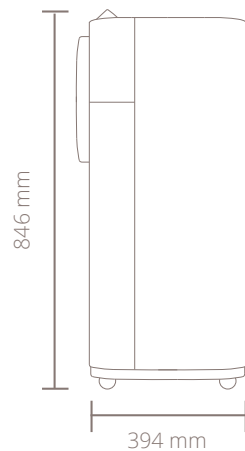
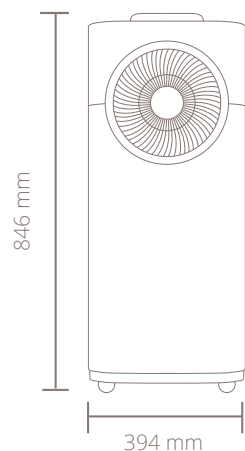
---

---

---

Je koele smart  
sidekick op hete  
zomerdagen.

## 5. Technische specificaties



Koelcapaciteit:  
10.000/12.000btu/h



Energieverbruik:  
1-1150/1350W



Geluidsniveau:  
53-63dBa



Luchtvolume:  
440/410m<sup>3</sup>/hr



Effectieve ruimte:  
25/28m<sup>2</sup>



Standen:  
5 (Auto, koelen, manueel,  
ontvochtigen, nachtmodus)



Koudemiddel:  
R290



Display:  
Digital LED



Bedieningspaneel:  
Soft touch



Timer:  
0-24h



Artikelnummer:  
DXMA04/05

Het uiterlijk en de specificaties van dit apparaat kunnen worden aangepast zonder melding.

## 6. Veelgestelde vragen (FAQ's)

### V. De airco gaat niet aan. Wat moet ik doen?

- A. - Controleer of de stekker van de airco in het stopcontact zit.
- Controleer of er een stroomstoring is.
- Controleer of de indicator TANK VOL knippert. Als dat het geval is, de watertank legen.
- Controleer of de kamertemperatuur lager is dan de ingestelde temperatuur. Is dat het geval, dan koelt het apparaat niet.

### V. Het apparaat werkt niet optimaal. Wat is er mis of hoe kan ik dit verbeteren?

- A. - Controleer of de kamer blootgesteld is aan direct zonlicht. Doe alle gordijnen dicht om de warmte buiten te houden.
- Sluit deuren en ramen.
- Als er veel mensen in de kamer zijn, stijgt de temperatuur. Hierdoor is het lastiger om de gewenste temperatuur te bereiken.
- Controleer of er iets in de kamer is wat veel warmte kan genereren (bijv. een magnetron).
- Controleer of het filter stoffig of vuil is.
- Controleer of de luchtinlaat of -uitlaat geblokkeerd is.
- Controleer of de kamertemperatuur lager is dan de ingestelde temperatuur. Is dat het geval, dan koelt het apparaat niet.

### V. Het apparaat maakt veel geluid. Wat is er mis?

- A. Controleer of het apparaat op een stabiel en vlak oppervlak staat. Is dat niet het geval, dan kan de compressor veel geluid maken.

### V. De compressor werkt niet. Wat is er mis?

- A. Het is mogelijk dat de oververhittingsbeveiliging van de compressor geactiveerd is. Wacht enkele minuten tot de temperatuur gedaald is.

### V. Ik zie een foutcode. Wat houdt dit in?

- A. Zie onderstaande tabel met foutcodes en bijbehorende toelichting. Neem in alle gevallen contact op met uw verkooppunt of lokaal servicepunt voor reparatie.

E1	De sensor met harskop op de verdamper is defect.
E2	De sensor met koperen kop op de ontladingsbuis is defect.
E3	De draad van de sensor voor regeling kamertemperatuur (Temperature Control, TC) zit los of is defect. De compressor en ventilatormotor worden uitgeschakeld.
E4	Wanneer de draad van de TC-sensor gedurende meer dan 5 seconden een temperatuur van 130°C of hoger waarneemt. De compressor en ventilatormotor worden uitgeschakeld.

### V. Hoe kan ik de levensduur van de compressor verlengen?

- A. Voor een langere levensduur van de compressor moet u na het uitschakelen van het apparaat ten minste 3 minuten wachten voordat u het opnieuw inschakelt.

### V. Waarom schakelt het apparaat niet uit als de ingestelde temperatuur is bereikt?

- A. Het koelsysteem schakelt uit als de omgevingstemperatuur lager is dan de ingestelde temperatuur. De ventilatie blijft echter werken volgens de ingestelde waarde. Als de omgevingstemperatuur stijgt tot boven de geselecteerde waarde, wordt koeling weer actief.

## Verwijdering

De Europese richtlijn 2012 / 19 / EG inzake Afval van Elektrische en Elek-tronische Apparatuur (AEEA), vereist dat oude elektrische huishoudapparaten niet in de normale gemeentelijke ongesorteerde afvalstroom mogen worden weggegooid. Oude apparaten moeten apart worden ingezameld om recycling en hergebruik van de materialen daarin te optimaliseren en de gevolgen op het milieu en de volksgezondheid te verminderen. Het symbool met de doorgekruiste "vuilnisbak op wieltjes" op het product, herinnert u aan uw verplichting, dat het toestel bij verwijdering gescheiden ingezameld moet worden. Consumenten moeten contact opnemen met hun lokale autoriteit of verkoper voor informatie betreffende de juiste verwijdering van hun oude toestel.



# Merci pour avoir choisi un article Duux.

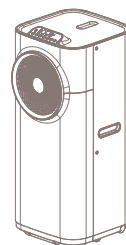
Nous sommes très content que vous consultez les instructions de votre nouvel climatiseur mobile! Duux! Beaucoup d'utilisateurs jettent les instructions et cherchent à comprendre le produit seul. Des études montrent que ceux qui lisent les instructions utilisent l'article plus vite et plus efficace que ceux qui le font sur base d'essais et erreurs.

Nous, chez Duux, nous croyons fortement à l'importance d'un environnement de vie confortable et saine. Améliorer votre bien-être par des articles avec un design attractif, fonctionnels et effectifs; c'est notre passion qui nous pousse tous les jours. Avec notre gamme de produits innovatrices de traitement d'air notre objectif est de vous donner la meilleure qualité d'air possible.

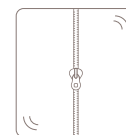
Les journées improductives, la chaleur incommode pendant les repas et la nuit. Les étés sont de plus en plus longs et chauds. Il est donc temps d'adopter votre nouveau partenaire qui rendra cette saison plus agréables. Blizzard est un climatiseur mobile à sortie frontale. Son design original le rend très attrayant. Les roues et les poignées de chaque côté vous permettent de le transporter où vous voulez. Vous resterez donc toujours au frais.

Veuillez lire attentivement le manuel pour tirer le meilleur parti de votre climatiseur mobile Blizzard.

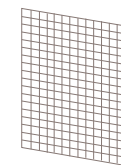
## Contenu de la boîte



Blizzard



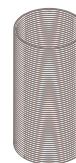
Kit d'étanchéité de  
fenêtre



Filtre à charbon actif



Télécommande



Tuyau d'évacuation



Tuyau pour une  
évacuation continue



Pièce de raccordement pour tuyau  
d'évacuation



Adaptateur

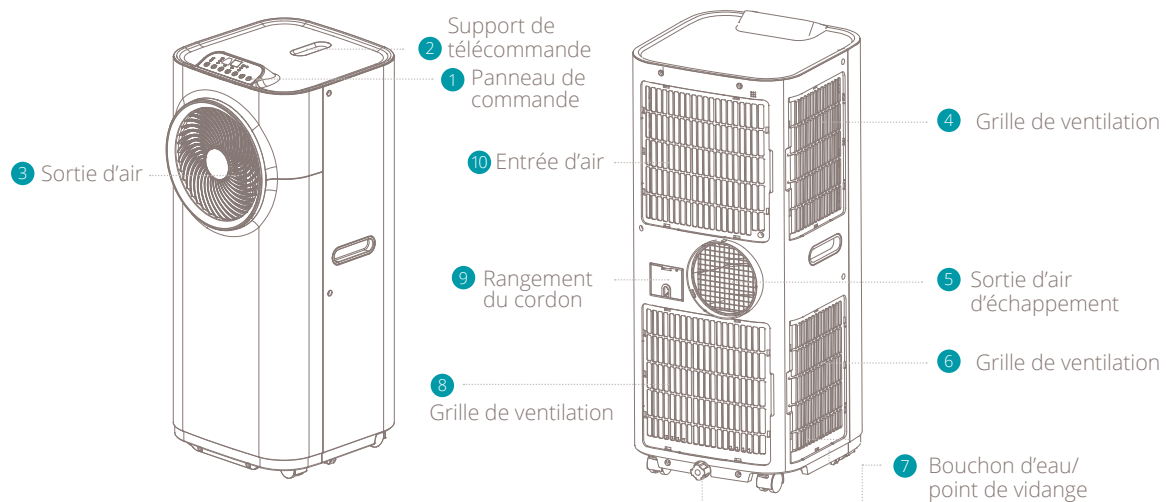


Manuel d'utilisation

## Table des matières

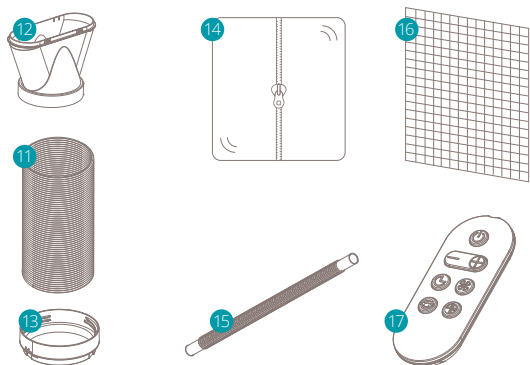
1. Vue d'ensemble du produit	44
2. Installation et utilisation	45
3. Maintenance	50
4. Fonctions	52
5. Caractéristiques techniques	59
6. FAQ	60

# 1. Vue d'ensemble du produit



## Accessoires

- 11 Tuyau d'échappement
- 12 Adaptateur - à insérer sur le tuyau et dans l'entretoise de fenêtre (ou dans le trou du mur/ de la fenêtre).
- 13 Raccord pour tuyau d'échappement
- 14 Kit d'étanchéité de vitre
- 15 Tube de vidange pour la vidange continue
- 16 Filtre au charbon actif
- 17 Télécommande



# 2. Installation et utilisation

## Lire avant l'installation

- Cet appareil est rempli de gaz propane R290. Suivez scrupuleusement les instructions du fabricant concernant l'utilisation et les réparations.
- Avant d'utiliser l'appareil, veuillez lire attentivement le mode d'emploi complet.
- N'installez pas, ne faites pas fonctionner ou ne stockez pas l'appareil dans une pièce de moins de 7m<sup>2</sup> (DXMA04) / 10m<sup>2</sup> (DXMA05). Cela est lié au gaz propane qui se trouve dans la climatisation. S'il est placé dans un espace trop petit, cela peut entraîner un risque d'explosion.



## Mises en garde générales

- Pour usage intérieur uniquement.
- N'utilisez pas dans des armoires, des placards, des bateaux, des caravanes ou des endroits similaires.
- N'utilisez pas l'appareil dans des piscines, des salles de bain ou autres endroits humides similaires.
- Laissez l'appareil reposer 12 heures avant de le brancher au réseau après le transport ou lorsqu'il a été incliné (par exemple pendant le nettoyage).
- Utilisez l'appareil uniquement en position verticale sur une surface plane (même pendant le transport) et à au moins 50 cm de tout objet.
- N'utilisez pas l'appareil dans un environnement potentiellement explosif contenant des liquides, des gaz ou des poussières combustibles.
- N'utilisez pas l'appareil à proximité de substances inflammables ou explosives ou de combustibles. N'utilisez jamais de peinture, de pulvérisateurs de nettoyage, de pulvérisateurs anti-insectes ou similaires à proximité de l'appareil ; cela pourrait déformer le plastique ou causer des dommages électriques.
- Assurez-vous qu'il y a au moins 50 cm entre les côtés de l'appareil et tout matériau chauffant inflammable.
- Ne placez pas d'objets sur l'appareil et ne restreignez pas l'entrée et la sortie d'air.
- Évitez que l'appareil ne soit éclaboussé par de l'eau.
- Surveillez étroitement les enfants et les animaux domestiques lorsque l'appareil est utilisé.
- Cet appareil peut être utilisé par des enfants âgés de 8 ans et plus et par des personnes aux capacités physiques ou mentales réduites ou manquant d'expérience et de connaissances si

elles sont sous surveillance ou si elles ont reçu des instructions relatives à l'utilisation sécurisée de l'appareil et si elles comprennent les dangers impliqués.

- Ne laissez pas les enfants jouer avec l'appareil.
- Le nettoyage et l'entretien ne doivent pas être effectués par des enfants sans surveillance.
- Éteignez et débranchez l'appareil lorsqu'il n'est pas utilisé.
- Ne laissez jamais un appareil en fonctionnement sans surveillance.
- Ne tirez pas l'appareil par le cordon.
- Évitez de trop tordre, enrouler, tirer le cordon d'alimentation. N'utilisez jamais de fil de nylon ou de fer pour attacher le cordon d'alimentation.
- Assurez-vous que la fiche et la prise restent visibles et accessibles en permanence.
- Ne pas utiliser de rallonges.
- Ne tentez jamais de récupérer l'appareil s'il est tombé dans l'eau. Dans ce cas, débranchez immédiatement la fiche du secteur et faites vérifier l'appareil avant de l'utiliser à nouveau.
- Si le cordon d'alimentation fourni est endommagé, il doit être remplacé par un électricien ou une personne qualifiée pour éviter tout danger.
- L'alimentation secteur doit être conforme aux spécifications indiquées sur la plaque signalétique à l'arrière de l'appareil.
- L'appareil doit être installé conformément aux réglementations de câblage nationales.
- Ne pas dépasser la taille de la pièce

recommandée pour une efficacité maximale.

- Fermez les portes et fenêtres pour une efficacité optimale.
- Gardez les rideaux ou les stores fermés pendant les heures les plus ensoleillées de la journée.
- Gardez les filtres propres.
- Une fois que la pièce a atteint les conditions désirées, réduisez le réglage de la température et de la ventilation.
- N'allumez pas l'appareil si vous constatez des dommages à l'appareil, au cordon ou à la fiche, si l'appareil ne fonctionne pas correctement ou s'il présente d'autres défauts. Retournez le produit complet au point de vente ou à un électricien certifié pour inspection ou réparation. Demandez toujours des pièces d'origine. L'appareil (y compris le cordon et la fiche) doit être ouvert ou réparé uniquement par des personnes autorisées et qualifiées.
- Seul un professionnel agréé est autorisé à démonter ou à modifier l'appareil.
- Cet appareil doit être utilisé uniquement pour l'usage auquel il est destiné. Toute autre utilisation est considérée comme une cause de mauvaise utilisation. L'utilisateur/opérateur, et non le fabricant, est responsable de tout dommage ou blessure de quelque nature que ce soit qui en résulterait.

## Lisez attentivement ces avertissements.

Lisez attentivement ces avertissements.

- Cet appareil contient le réfrigérant R290. Le R290 est un réfrigérant conforme aux directives européennes pertinentes. Ne percez jamais le circuit frigorifique. Le R290 est inflammable (GWP3) !
- N'utilisez pas de moyens pour accélérer le processus de dégivrage ou pour le nettoyage autres que ceux recommandés par le fabricant.
- L'appareil doit être stocké dans une zone sans sources d'inflammation permanentes (par exemple : flammes nues, appareil à gaz en fonctionnement ou chauffage électrique en fonctionnement).
- Ne percez ni ne brûlez aucune pièce du circuit frigorifique de l'appareil. Ne posez pas de lumière sur l'appareil.
- L'appareil doit être stocké de manière à éviter tout dommage mécanique.
- Les réfrigérants n'ont pas d'odeur vous permettant de détecter une fuite.
- Les réglementations nationales en matière de gaz doivent être respectées. Gardez les ouvertures de ventilation libres de toute obstruction.
- Toute personne impliquée dans des travaux ou une rupture d'un circuit de réfrigérant doit être en possession d'un certificat en cours de validité d'un organisme reconnu par l'industrie habilité à le faire.

## Installation du kit d'étanchéité de vitre

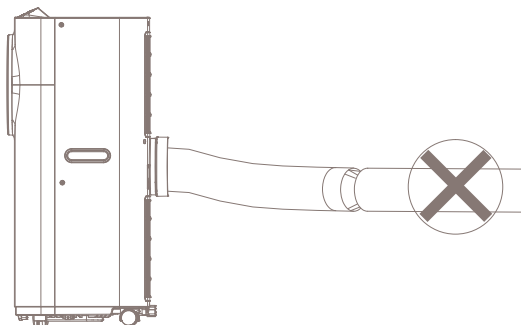
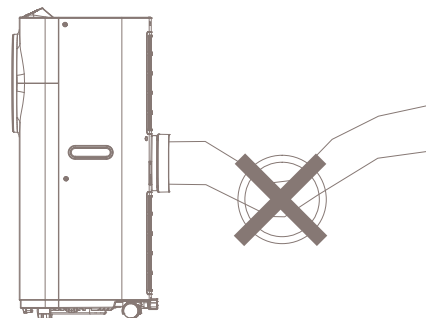
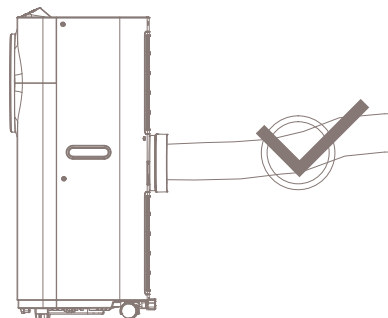
Blizzard est un climatiseur mobile qui peut être déplacé d'une pièce à l'autre.

Veillez vous reporter aux instructions séparées sur la manière d'installer le kit d'étanchéité de fenêtre inclus.



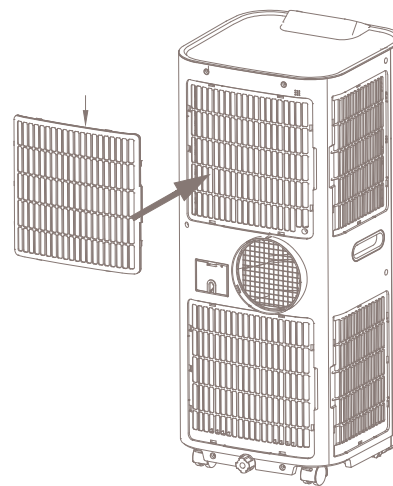
## Montage du tuyau d'échappement

- Utilisez uniquement le tuyau fourni et attachez le tuyau d'échappement à l'arrière du climatiseur
- Évitez les plis et les coudes dans le tuyau d'échappement, car cela peut provoquer l'accumulation d'air humide expulsé, provoquant la surchauffe et l'arrêt de l'appareil. Les figures ci-dessous/ci-dessus/à droite montrent la position correcte.
- Le tuyau peut être étendu de 300 mm à 1 500 mm, mais pour une efficacité maximale, utilisez la longueur la plus courte possible.



## Installation du filtre à charbon

- 1 Retirez délicatement la grille supérieure à l'arrière du climatiseur.
- 2 Retirez le filtre de l'appareil.
- 3 Retirez le filtre à charbon actif de son sac en plastique.
- 4 Insérez le filtre à charbon actif à l'arrière de l'appareil.
- 5 Remontez le filtre à l'intérieur de l'appareil.
- 6 Remettez la grille dans le climatiseur.



**⚠ Remarque:** La longueur du tuyau d'échappement est spécialement conçue en fonction des spécifications de ce produit. Ne le remplacez pas ou ne le prolongez pas avec votre propre tuyau personnel, car cela pourrait entraîner un dysfonctionnement de l'appareil.

- 1 Enlever le couvercle
- 2 Placer la batterie conformément aux instructions sur le couvercle avec la bonne polarité
- 3 Fermer le couvercle

**⚠ Remarque:**

- Utiliser uniquement 1x des batteries CR2032 3V
- Les batteries non rechargeables ne doivent pas être rechargées
- Les batteries épuisées doivent être retirées de la télécommande et éliminées en toute sécurité
- Si la télécommande doit être stockée après une longue période de non-utilisation, la batterie doit être retirée
- Les raccords d'alimentation ne doivent pas être court-circuités.

## Conseils et recommandations

Pour obtenir le meilleur rendement du climatiseur, respectez les recommandations suivantes:

- Fermez les fenêtres et les portes de la pièce à climatiser. La seule exception est l'installation au moyen d'un trou dans le mur. Dans ce cas, il est recommandé de laisser une porte ou une fenêtre entrouverte, afin de garantir l'échange d'air.
- N'utilisez pas l'appareil dans des pièces très humides (par ex. buanderie).
- Protégez la pièce de la lumière directe du soleil en tirant les rideaux et/ou en fermant partiellement les stores, afin d'obtenir un fonctionnement très économique (fig. 21).
- N'utilisez pas l'appareil à l'extérieur.
- Assurez-vous qu'il n'y a aucune source de chaleur dans la pièce.
- Vérifiez que le climatiseur est placé sur un sol plat.
- Ne placez aucun objet sur le climatiseur.
- N'obstruez pas les entrées d'air.

**⚠ Remarque:** Lorsque la température extérieure est chaude pendant une période prolongée, cette chaleur sera également perceptible dans la maison. Les meubles, la literie, les rideaux, les tapis et autres stockent beaucoup de chaleur. La climatisation peut donc avoir besoin de plus de temps pour refroidir la pièce.

## 3. Maintenance

Débranchez toujours le climatiseur du secteur avant de le nettoyer. Pour maximiser l'efficacité du climatiseur, nettoyez-le régulièrement.

### Nettoyage du corps

Utilisez un chiffon doux et humide pour nettoyer le corps.  
N'utilisez jamais de produits chimiques agressifs, d'essence, de détergents, de chiffons traités chimiquement ou d'autres solutions nettoyantes. Tout cela pourrait endommager le matériau du boîtier.

### Nettoyage du filtre

Utilisez un aspirateur ou tapez légèrement sur le filtre pour enlever la poussière et la saleté des filtres, puis rincez-le soigneusement à l'eau courante (pas plus chaude que 40 °C). Séchez-le bien avant de le remettre en place.

**⚠ Remarque:** ne jamais faire fonctionner l'appareil sans les filtres.

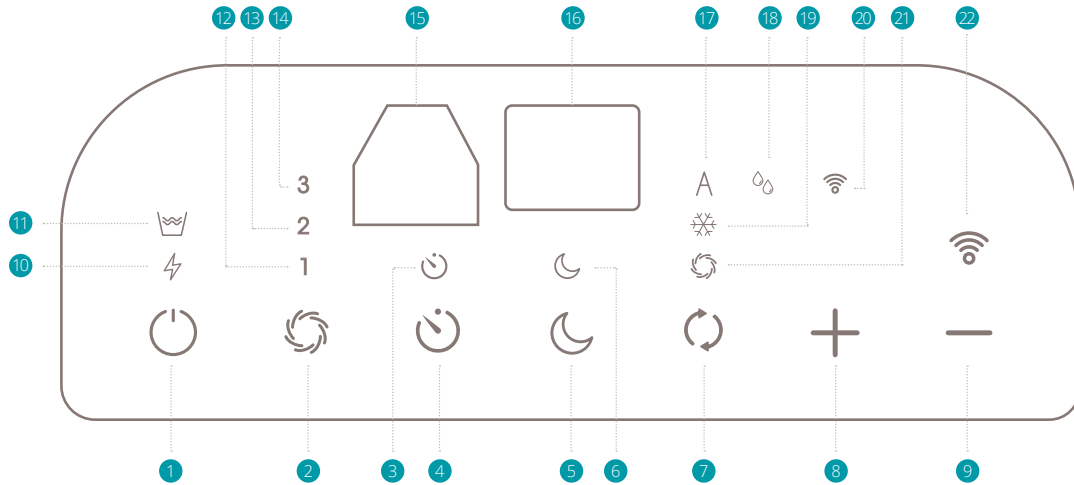
**⚠ Astuce:** nettoyez le filtre toutes les 2 semaines. Un filtre propre améliore le fonctionnement du climatiseur ! Vous pouvez retirer délicatement les particules de poussière du filtre à l'aide d'un aspirateur ou d'un chiffon sec.

**⚠ Remarque:** n'utilisez jamais la climatisation sans filtre. Cela amènerait des particules de poussière sur les nervures que vous ne pourrez pas retirer par la suite.

### Entreposage à long terme

- Vidangez toute l'eau restante dans l'appareil
- Faites fonctionner l'appareil en mode ventilation seulement pendant quelques heures pour sécher complètement l'intérieur.
- Nettoyez ou remplacez le filtre.
- Débranchez et rangez le cordon d'alimentation.
- Couvrez l'appareil dans un carton ou un sachet fermé.
- Ne stockez pas l'appareil dans une pièce de moins de 7m<sup>2</sup> (DXMA04) / 10m<sup>2</sup> (DXMA05). Cela est lié au gaz propane qui se trouve dans la climatisation. S'il est placé dans un espace trop petit, cela peut entraîner un risque d'explosion.

## 4. Fonctions



- 1 ON/OFF (Marche/arrêt alimentation)
- 2 Vitesse (ventilation)
- 3 Indicateur de minuterie
- 4 Mode nuit
- 5 Nachtmodus
- 6 Indicateur de mode nuit
- 7 Sélection du mode
- 8 Température plus élevée
- 9 Température plus basse
- 10 Indicateur de fonctionnement du compresseur
- 11 Indicateur d'eau pleine

- 12 Indicateur de ventilation faible
- 13 Indicateur de ventilation moyenne
- 14 Indicateur de ventilation élevée
- 15 Récepteur pour télécommande
- 16 Écran LCD
- 17 Indicateur de mode automatique
- 18 Indicateur de mode de déshumidification
- 19 Indicateur de mode de refroidissement
- 20 Bouton/indicateur WiFi
- 21 Indicateur de mode ventilateur
- 22 Bouton WiFi

### Interrupteur d'alimentation

- 1 Appuyez sur le bouton ON/OFF et l'appareil démarre. Si la température ambiante est :
  - Supérieure à 22 °C, l'unité fonctionnera en mode refroidissement.
  - Supérieure 20 °C, mais inférieure ou égale à 22 °C, l'appareil fonctionnera en mode ventilation.
- 2 Les indicateurs des fonctions en cours sont affichés simultanément.

**Remarque :** La fenêtre d'affichage montre la température ambiante de 0 °C à 50 °C.

- 3 Pour éteindre l'appareil, appuyez à nouveau sur la touche ON/OFF.

### Sélectionnez le mode d'utilisation

Appuyez sur le bouton MODE pour sélectionner le mode de fonctionnement préféré : automatique, refroidissement, ventilation ou déshumidification. Le voyant du mode sélectionné s'allume.

### Mode refroidissement

Lorsque le climatiseur est en mode refroidissement, il refroidit la pièce. Le compresseur est alors mis en marche. Lorsque le climatiseur a atteint la température souhaitée, il passe en mode ventilation.

### Mode ventilation

En mode ventilation, la climatisation ventilerait seulement. Il déplace l'air dans la pièce, ce qui a un effet rafraîchissant. Le compresseur ne s'allume pas dans ce mode.

### Mode automatique

Lorsque le mode AUTO est activé, la vitesse du ventilateur est automatiquement sélectionnée en fonction de la température ambiante (le voyant correspondant s'allume). En mode AUTO, le bouton VITESSE est verrouillé.

### Réglage de la température

- 1 Appuyez sur le bouton « Température up » ou « Température down » pour régler la température selon vos préférences.
- 2 La fenêtre d'affichage affiche la température que vous avez définie lorsque vous appuyez sur le bouton « Température up » ou « Température down ». En mode veille, il affiche toujours la température ambiante.
- 3 Le réglage d'usine par défaut de cette machine est : 24 °C pour le refroidissement.

## Réglage de la vitesse de ventilation

- 1 Appuyez sur le bouton SPEED pour choisir la vitesse de ventilation que vous préférez : haute, moyenne ou basse. L'indicateur de ventilation haute, moyenne ou basse s'allume.

## Réglage de la minuterie

- 1 En appuyant sur la touche TIMER sans utiliser les autres fonctions, vous pouvez activer un délai de démarrage. Par exemple, si vous réglez la minuterie sur « 2 », l'appareil démarre automatiquement après 2 heures.
- 2 Appuyez sur la touche TIMER pour régler un délai de temporisation (de 1 à 24 heures, le voyant de la minuterie s'allume). Lorsque la temporisation est échue, l'appareil s'éteint automatiquement. L'écran LCD affiche l'heure ou les heures que vous avez réglées en appuyant sur la touche TIMER.

## Mode nuit

- 1 Lorsque vous appuyez sur le bouton de mode NIGHT en mode refroidissement, la température réglée augmente de 1 °C après une heure, 1 °C après deux heures et reste à cette température.
- 2 En mode nuit, la ventilation reste à faible

vitesse. En appuyant à nouveau sur la touche mode NIGHT, la température et la vitesse de ventilation reviennent aux réglages précédents.

- 3 L'unité s'arrête automatiquement lorsque le mode NIGHT fonctionne pendant plus de 12 heures.

**⚠ Remarque :** le mode nuit n'est pas disponible pendant que la machine fonctionne en mode AUTO, Ventilateur (ventilation) ou Déshumidification

**⚠ Remarque :** en mode nuit, la luminosité de l'affichage baissera automatiquement au bout de quelques secondes. Appuyez pour réactiver le panneau de contrôle.

## Autodiagnostic

Cette machine est équipée d'un logiciel d'autodiagnostic. Si l'appareil ne fonctionne pas, l'écran LCD affiche « E1 » ou « E2 ». Dans ce cas, veuillez contacter votre point de vente.

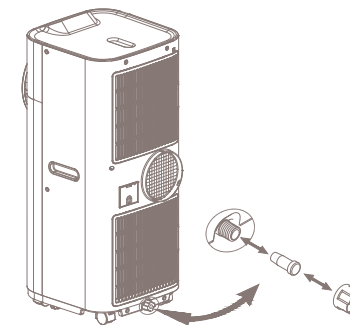
Toutes les fonctions ci-dessus peuvent également être exécutées avec la télécommande fournie. Cette télécommande nécessite une pile CR2032 pour fonctionner.

### ⚠ Remarque :

- Pour prolonger la durée de vie de la compression, veuillez attendre au moins 3 minutes avant de remettre l'appareil en marche après l'avoir éteint.
- Le système de refroidissement s'éteindra si la température ambiante est inférieure à la température réglée. Cependant, la ventilation continue de fonctionner au niveau défini. Si la température ambiante s'élève au-dessus du niveau sélectionné, le refroidissement reprendra son cours.

## Vidange

Pendant le processus de refroidissement, une partie de l'eau sera extraite de l'air dans l'appareil. Si le réservoir est plein, le compresseur et le moteur s'arrêtent et les unités sonnent (appuyez sur n'importe quel bouton pour arrêter le son). Le voyant WATER FULL clignote pour vous le montrer. Dans ce cas, veuillez vider l'eau en suivant les étapes ci-dessous :

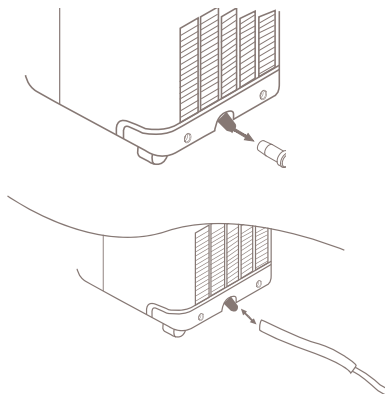


- 1 Éteignez le climatiseur et évitez de le déplacer lorsque le réservoir d'eau est plein.
- 2 Placez un récipient (un bac à eau par exemple) sous le trou de vidange.
- 3 Retirez le bouton de vidange et le bouchon en caoutchouc du trou de vidange et laissez l'eau s'écouler.
- 4 Lorsque le récipient est presque plein, fermez le trou de vidange avec le bouchon en caoutchouc et videz le bac à eau.
- 5 Répétez l'opération jusqu'à ce que l'appareil soit complètement vide.

- 6 Replacez le bouchon en caoutchouc et serrez fermement le bouton de vidange.
- 7 Allumez l'appareil - l'indicateur de plein d'eau ne doit plus clignoter.

Si vous souhaitez faire fonctionner l'appareil sans avoir à vider le réservoir d'eau (vidange continue), veuillez suivre les étapes suivantes :



- Retirez le bouton de vidange et le bouchon en caoutchouc pour utilisation ultérieure.
- Raccordez le tube de vidange fourni à la sortie d'eau comme illustré et placez l'autre extrémité dans un drain.
- Le tube de vidange peut être rallongé en ajoutant un tube de rallonge et en utilisant un connecteur approprié.



**Remarque :**

- Le drain doit être au niveau ou en dessous du niveau de la sortie.
- L'indicateur FULL WATER sera désactivé dans ce mode de vidange.

## Mode WiFi

Appuyez sur le bouton  et maintenez-le enfoncé pendant 5 secondes pour activer le mode WiFi. Le témoin lumineux va clignoter et commencer à chercher des appareils à coupler. Une fois connecté, le bouton  deviendra solide.

## WiFi et opération APP

Scannez le code QR ci-dessous pour télécharger l'application Duux ou recherchez l'application DUUX dans l'App Store ou le Google Play Store. Une fois l'appli installée, saisissez votre adresse e-mail et terminez l'enregistrement.



APP STORE



PLAY STORE

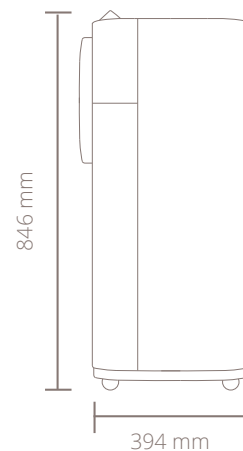
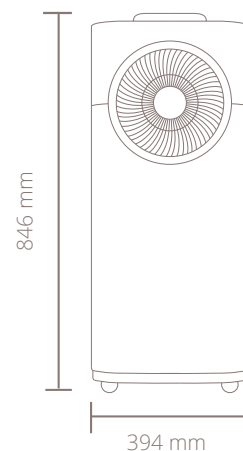
## Connectez-vous au WiFi

- 1 Une fois enregistré, cliquez sur « ajoutez l'appareil duux » sur l'écran principal ou utilisez le bouton « + » dans le coin supérieur droit pour ajouter un nouvel appareil,
- 2 Rechercher « Blizzard » et appuyer sur continuer
- 3 Connectez-vous à votre réseau WiFi préféré et saisissez le mot de passe correspondant
- 4 Suivez les instructions dans l'appli pour compléter le processus de couplage.

**Remarque:** si vous rencontrez des problèmes de connexion ou d'utilisation de l'appli, veuillez vous référer à la section FAQ dans le menu de l'appli.

Votre partenaire  
fraîcheur et  
smart en été.

## 5. Caractéristiques techniques



Capacité de refroidissement:  
10.000/12.000btu/h



Consommation électrique:  
1-1150/1350W



Niveau sonore:  
53-63dBa



Volume d'air:  
440/410m<sup>3</sup>/hr



Surface utile:  
25/28m<sup>2</sup>



Modes de fonctionnement:  
5 (auto, refroidissement, manuel,  
déshumidifiant, mode nuit)



Réfrigérant:  
R290



Ecran:  
Digital LED



Panneau de commande:  
Soft touch



Minuterie:  
0-24h



Numéro d'article:  
DXMA04/05

L'apparence et les  
spécifications de  
l'appareil peuvent  
changer sans notice.

## 6. FAQ

### Q. Le climatiseur ne s'allume pas. Que dois-je faire ?

- R. - Veuillez vérifier si le climatiseur est branché  
- Veuillez vérifier qu'il n'y a pas de panne de courant  
- Veuillez vérifier si le voyant WATER FULL clignote. Si c'est le cas, videz le réservoir d'eau.  
- Veuillez vérifier si la température ambiante est inférieure à la température réglée. Dans ce cas, l'appareil ne refroidit pas.

### Q. L'appareil semble avoir peu d'effet. Qu'est-ce qui ne va pas ou comment puis-je l'améliorer ?

- R. - Veuillez vérifier si la lumière directe du soleil pénètre dans la pièce. Fermez tous les rideaux pour garder la chaleur à l'extérieur.  
- Fermez les portes et fenêtres  
- De nombreuses personnes dans la pièce augmentent la température ambiante, ce qui rend plus difficile l'obtention de la température souhaitée  
- Veuillez vérifier s'il y a quelque chose dans la pièce qui pourrait produire beaucoup de chaleur (par exemple, micro-ondes)  
- Veuillez vérifier si le filtre est poussiéreux ou contaminé  
- Veuillez vérifier si l'entrée ou la sortie d'air est bloquée

- Veuillez vérifier si la température ambiante est inférieure à la température réglée. Dans ce cas, l'appareil ne refroidit pas.

### Q. L'appareil fait beaucoup de bruit. Quel est le problème ?

- R. Veuillez vérifier si l'appareil est sur une surface stable et n'est pas positionné de manière inégale. Le compresseur pourrait alors faire du bruit.

### Q. Le compresseur ne fonctionne pas. Quel est le problème ?

- R. Il est possible que la protection contre la surchauffe du compresseur soit activée. Attendez quelques minutes pour que la température chute.

### Q. Je vois un code d'erreur. Qu'est-ce que cela signifie ?

- R. Consulter le tableau ci-dessous avec les codes d'erreur et leurs explications. Dans tous les cas, veuillez contacter votre point de vente ou votre point de service local pour obtenir réparation.

### Q. Comment puis-je prolonger la durée de vie du compresseur ?

- R. Pour prolonger la durée de vie du compresseur, attendez au moins 3 minutes après avoir éteint l'appareil avant de le remettre en marche.

### Q. Pourquoi l'appareil ne s'éteint-il pas lorsque la température réglée est atteinte ?

- R. Le système de refroidissement s'arrête lorsque la température ambiante est inférieure à la température réglée. Cependant, la ventilation continue de fonctionner selon la valeur réglée. Lorsque la température ambiante dépasse la valeur sélectionnée, le refroidissement redevient actif.

E1	Le capteur à tête de résine sur l'évaporateur est tombé en panne
E2	Le capteur à tête de cuivre sur le tube de décharge est tombé en panne
E3	Le fil du capteur de Contrôle de la Température (CT) est déserré ou est tombé en panne. Le compresseur et le moteur de ventilateur s'arrêteront.
E4	Lorsque le fil du capteur TC capte une température supérieure ou égale à 130°C pendant plus de cinq secondes. Les moteurs du compresseur et du ventilateur s'arrêtent.

## Elimination

Conformément à la directive européenne 2012 / 19 / EC sur la mise au rebut des déchets d'équipements électriques et électroniques (DEEE), les appareils ménagers usés ne doivent pas être jetés avec les déchets non triés. Ces appareils usés doivent être collectés séparément des déchets ménagers pour optimiser la récupération et le recyclage de leurs composants dans le but de réduire les effets négatifs sur la santé humaine et sur l'environnement. Le symbole de poubelle avec roulettes et croix indique que ces produits doivent être collectés et mis au rebut séparément des ordures ménagères. Les consommateurs doivent contacter les autorités locales ou leurs revendeurs concernant la mise au rebut de leurs vieux appareils.



# ¡Gracias por haber elegido Duux!

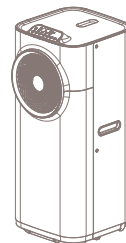
¡Estamos encantados de que haya decidido leer el manual de su nuevo aire acondicionado portátil Duux! Muchos usuarios se saltan las instrucciones y ponen el aparato a funcionar sin más. Sin embargo, varios estudios demuestran que las personas que empiezan por leer el manual de usuario se adelantan a los que prueban cualquier cosa y sacan más provecho.

En Duux creemos en un entorno cómodo y saludable para todos. Mejorar el medioambiente interior con productos atractivos, funcionales y eficaces es nuestra pasión diaria. Con nuestra innovadora gama de productos de tratamiento del aire nos esforzamos para ofrecerle la mejor calidad del aire.

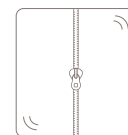
Jornadas de trabajo improductivas, cenas incómodas o noches sin dormir. Los veranos cada vez son más largos y calurosos, necesitas un aliado que te haga los días más llevaderos. Te presentamos a Blizzard: un climatizador portátil con salida de aire frontal para un enfriamiento extraeficiente. Su original diseño llama la atención, las ruedas y asas a ambos lados te permiten llevarlo adonde sea. Así siempre tendrás una temperatura agradable.

Lea el manual detenidamente para sacar el máximo provecho de su Aire acondicionado portátil Blizzard.

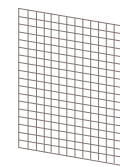
## Contenido de la caja



Blizzard



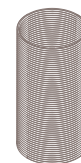
Set para sellado de ventana



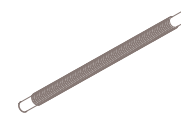
Filtro de carbón activado



Mando a distancia



Manguera de escape



Manguera de drenaje para drenaje continuo



Pieza conectora para manguera de escape



Adaptador



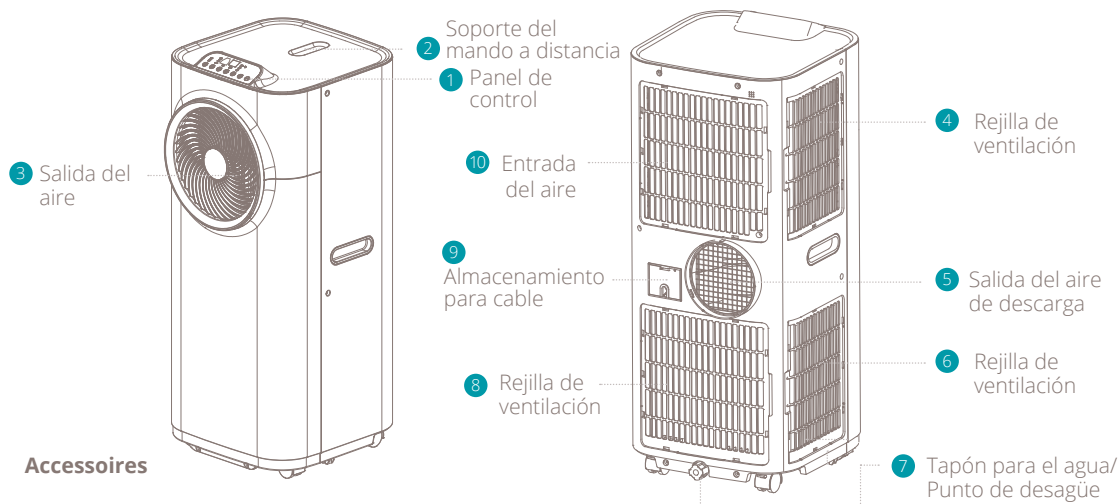
Guía del usuario

## Índice

1. Vista general del producto **64**
2. Instalación y uso **65**
3. Mantenimiento **71**
4. Funciones **72**
5. Datos técnicos **79**
6. Preguntas frecuentes **80**

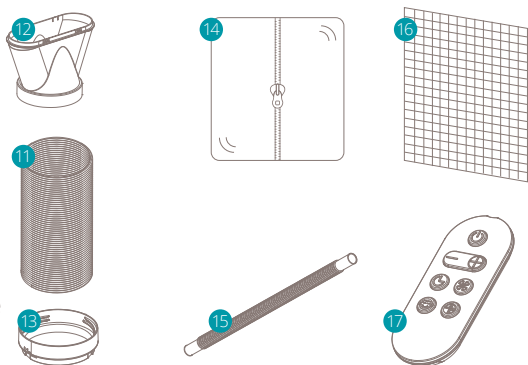


# 1. Vista general del producto



## Accessoires

- 11 Manguera de descarga
- 12 Adaptador, para su conexión a la manguera y en el interior del espaciador de ventana (o en el orificio de la pared/ventana)
- 13 Conector para el tubo de descarga
- 14 Kit de sellado de ventanas
- 15 Tubo de desagüe para el desagüe continuo/continuo
- 16 Filtro de carbón activo
- 17 Mando a distancia



# 2. Instalación y uso

## Léase previamente a su instalación

- Este electrodoméstico contiene gas propano R290. Siga las instrucciones del fabricante en lo referente su uso y a las reparaciones.
- Previamente al uso del dispositivo, lea detenidamente el manual de instrucciones en su totalidad.
- No instale, use ni almacene el aparato en una habitación de menos de 7m<sup>2</sup> (DXMA04) o 10m<sup>2</sup> (DXMA05). Esto tiene que ver con el propano que contiene el aire acondicionado. Si se almacena en un espacio demasiado pequeño, puede causar peligro de explosión.



## Precauciones generales

- Únicamente para su uso en interiores.
- No debe utilizarse en alacenas, armarios, embarcaciones, caravanas o emplazamientos similares.
- No utilice el dispositivo en piscinas, baños o zonas húmedas similares.

- Deje que el dispositivo repose durante 12 horas antes de conectarlo a la red después de haberlo transportado o haberlo inclinado (por ejemplo, durante una limpieza).
- Utilice el dispositivo únicamente en posición vertical sobre una superficie plana y nivelada (también durante su transporte) y a una distancia mínima de 50 cm de cualquier objeto.
- No utilice el dispositivo en un entorno potencialmente explosivo que contenga líquidos, gases o polvos inflamables.
- No utilice el dispositivo en la proximidad de sustancias inflamables, explosivas o combustibles. Nunca utilice pintura, aerosoles de limpieza, insecticidas o similares en las proximidades del aparato. Podría deformar el plástico o provocar daños eléctricos.
- Asegúrese de guardar al menos 50 cm entre los lados del dispositivo y cualquier material de calefacción inflamable.
- No coloque objetos sobre el dispositivo ni restrinja la entrada/salida de aire.
- Evite que se le salpique agua al dispositivo.
- Supervise de cerca a los niños y a las mascotas cuando se esté empleando el dispositivo.
- Este dispositivo puede ser empleado por niños a partir de los 8 años y personas con capacidades físicas, sensoriales o mentales limitadas o falta de experiencia y conocimientos, siempre que sean

supervisados o instruidos en el uso del mismo de forma segura y comprendan los riesgos que entraña.

- Evite que los niños jueguen con el dispositivo.
- Los niños no deben realizar la limpieza ni el mantenimiento de usuario sin supervisión.
- Apague y desenchufe el dispositivo cuando no esté en uso.
- Nunca deje un dispositivo en funcionamiento sin supervisión.
- No tire del aparato por el cable.
- Evite torcer, enrollar o tirar del cable de alimentación en exceso. Nunca utilice alambre de nylon o alambre de hierro para mantener el cable de alimentación.
- Asegúrese de que la clavija y el enchufe permanezcan visibles y accesibles en todo momento.
- No utilice alargadores.
- En ningún caso intente recuperar el aparato si este ha caído en el agua. En tal caso, desconecte inmediatamente el enchufe de la red eléctrica y haga revisar el aparato antes de volver a utilizarlo.
- Si el cable de alimentación suministrado estuviese dañado, un electricista o persona cualificada debiera sustituirlo para evitar cualquier peligro.
- La alimentación de red debe confirmarse según las especificaciones que figuran en la etiqueta de clasificación, en la parte posterior del dispositivo.
- El aparato se instalará de acuerdo con las

normas locales de cableado.

- Para obtener la máxima eficiencia, no exceda el tamaño recomendado de la habitación.
- Cierre las puertas y ventanas para una óptima eficiencia.
- Mantenga las cortinas o persianas cerradas durante las horas más soleadas del día.
- Mantenga limpios los filtros.
- Una vez que en la habitación se hayan obtenido las condiciones deseadas, reduzca los valores de configuración para la temperatura y la ventilación.
- No encienda el dispositivo si advierte daños en el mismo, en el cable o en el enchufe, si este no funciona correctamente o si hay indicios de cualquier otra deficiencia. Devuelva el producto completo al punto de venta o a un técnico electricista cualificado para su inspección y/o reparación. Solicite siempre las piezas originales. El dispositivo (incluido cable y enchufe) únicamente puede abrirse y/o repararse por parte de personas debidamente autorizadas y cualificadas.
- Únicamente un profesional autorizado debe desmontar o modificar el dispositivo.
- Este dispositivo únicamente debe utilizarse con la finalidad prevista. Cualquier otro uso se considera un uso indebido. El usuario/ explotador, y no el fabricante, será el responsable de cualquier daño o lesión provocada en consecuencia.

## Lea estas advertencias atentamente.

- Este dispositivo contiene refrigerante R290. El R290 es un refrigerante que respeta las directivas europeas correspondientes. No perforo el circuito de refrigerante en ningún caso. ¡El R290 es inflamable (GWP3)!
- No emplee productos para agilizar el proceso de descongelación o para limpiar que no sean recomendados por el fabricante.
- El dispositivo debe ser almacenado en un lugar sin fuentes inflamables que funcionen continuamente (por ejemplo: fuego abierto, aparatos de gas o calefactores eléctricos en funcionamiento).
- No perforo ni queme ninguna pieza del circuito de refrigerante del dispositivo. No ponga el dispositivo debajo de una fuente de luz.
- El dispositivo deberá ser almacenado de tal manera que no puedan provocarse daños mecánicos.
- Es posible que los refrigerantes carezcan de olor. Esto podría suponer que no se pueda detectar una fuga por el olor.
- Se deberá respetar la legislación nacional sobre el gas.
- Mantenga despejados los orificios de ventilación.
- Todas las personas involucradas en el trabajo o la apertura de circuitos de refrigerante deberán poseer un certificado vigente expedido por una instancia competente reconocida por la industria

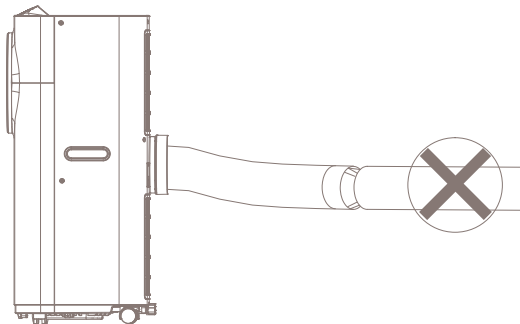
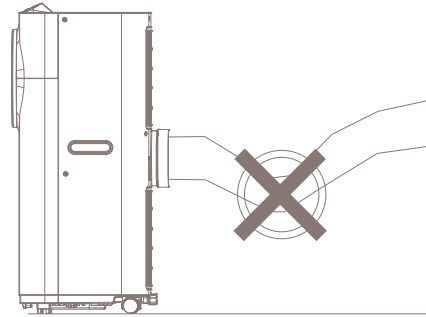
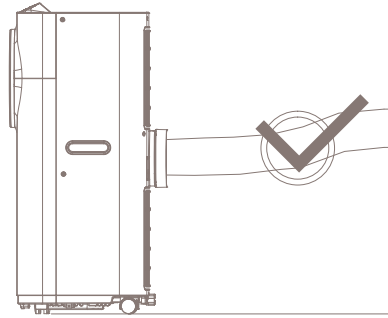
## Instalación del kit de sellado de ventanas

Blizzard es un acondicionador de aire portátil que puede llevarse de un cuarto a otro.

Para instalar el set para sellado de ventana, que está incluido, consulte las instrucciones que vienen por separado.

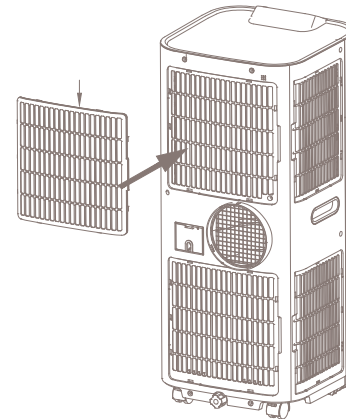
## Montaje del tubo de descarga

- Emplee únicamente la manguera proporcionada y sujete la manguera de de descarga a la parte posterior del acondicionador de aire.
- Evite que la manguera de descarga se pliegue o se doble, ya que el aire húmedo expulsado se acumularía y el aparato se sobrecalentaría y se apagaría. Las figuras de abajo/arriba/a la derecha le mostrarán la posición adecuada.
- La manguera puede prolongarse entre 300 mm y 1500 mm, pero, para obtener una máxima eficiencia, emplee la longitud más corta posible.



## Instalación del filtro de carbón activo

- 1 Retire con cuidado la rejilla superior en la parte trasera del aire acondicionado.
- 2 Retire el filtro del aparato.
- 3 Retire el filtro de carbón activo de su envoltorio de plástico.
- 4 Inserte el filtro de carbón activo en la parte posterior del aparato.
- 5 Reajuste el filtro en el aparato.
- 6 Vuelva a colocar la rejilla en el aire acondicionado.



**⚠ ¡Cuidado!** La longitud de la manguera de descarga está especialmente diseñada de conformidad con las especificaciones de este producto. No lo reemplace ni lo prolongue con ninguna manguera propia, ya que podría causar un mal funcionamiento del aparato.

## Instalación del mando a distancia

- 1 Retire la tapa
- 2 Coloque la batería correctamente, según las instrucciones indicadas en la tapa, con la polaridad correcta
- 3 Cierre la tapa

### **⚠ Nota:**

- Utilice solamente una batería CR2032 de 3V
- Las baterías no recargables no deben ser recargadas
- Las baterías gastadas deben ser retiradas del mando a distancia y desechadas de forma segura
- Si el mando a distancia va a guardarse durante un largo período, retire la batería
- Los terminales de alimentación no deben cortocircuitarse.

## Consejos y recomendaciones

Para obtener el máximo rendimiento del aire acondicionado, considere las siguientes recomendaciones:

- Cierre puertas y ventanas del espacio que desee acondicionar. La única excepción sería la instalación a través de un agujero en la pared. En ese caso, recomendamos que deje una puerta o una ventana entreabierta para que el aire pueda refrescarse.
- No use el aparato en espacios con un elevado porcentaje de humedad (en lavanderías, por ejemplo).
- Proteja el espacio contra la luz solar directa cerrando las cortinas o bajando parcialmente las persianas para obtener un funcionamiento muy económico (fig. 21).
- No use el dispositivo en el exterior.
- Asegúrese de que no haya fuentes de calor en el espacio.
- Asegúrese de que el aire acondicionado esté posicionado sobre una superficie plana.
- No ponga objetos sobre el aire acondicionado.
- No bloquee los orificios de entrada de aire.

**⚠ Atención:** en caso de que la temperatura exterior sea elevada durante un período de tiempo prolongado, el calor se acabará notando en el hogar. Objetos como muebles, sábanas, cortinas y alfombras retienen bastante calor. Esto significa que el aire acondicionado puede necesitar más tiempo para refrigerar el espacio.

## 3. Mantenimiento

Desenchufe siempre el acondicionador de aire de la red eléctrica antes de limpiar. Para maximizar la eficiencia del acondicionador de aire, límpielo con regularidad.

### Limpieza de la carcasa

Utilice un paño suave y húmedo para limpiar la carcasa. Nunca utilice productos químicos agresivos, gasolina, detergentes, paños tratados químicamente u otras soluciones de limpieza. Podría dañar el material del revestimiento.

### Limpieza del filtro

Utilice una aspiradora o golpee ligeramente el filtro para eliminar el polvo suelto y la suciedad de los filtros y, a continuación, enjuague a fondo con agua corriente (no a más de 40 °C). Séquela completamente antes de volver a colocarla.

**⚠ Nota:** Nunca ponga el aparato en funcionamiento sin los filtros.

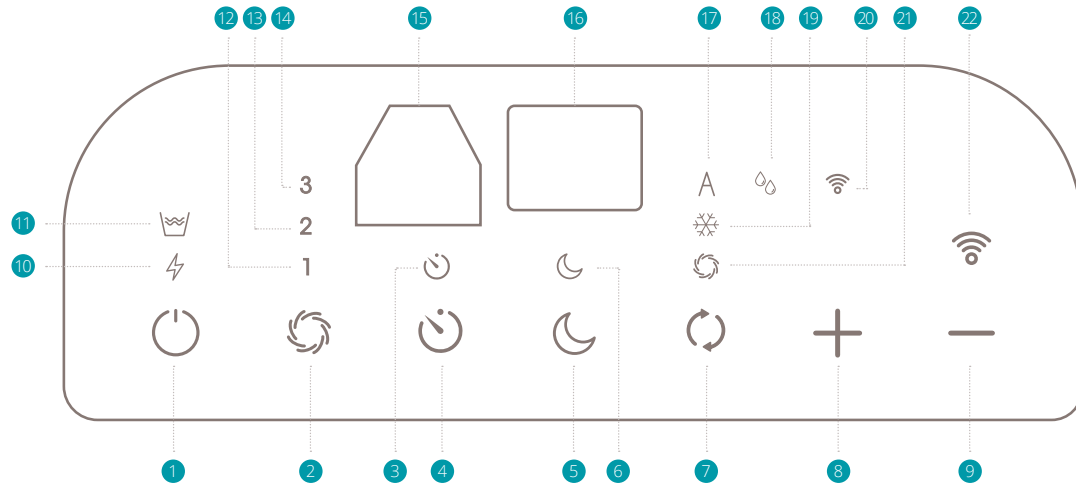
**⚠ Consejo:** limpie el filtro cada 2 semanas. ¡El aire acondicionado funcionará mejor si el filtro está limpio! Puede retirar el polvo del filtro usando un paño seco o la aspiradora. Si usa la aspiradora, hágalo con precaución.

**⚠ Atención:** nunca use el aire acondicionado sin filtro. Si lo hace, llegarán partículas de polvo a las costillas y no las podrá retirar posteriormente.

### Almacenamiento prolongado

- Vacíe el agua que quede en el aparato.
- Ponga en funcionamiento el aparato en modo de ventilación tan solo durante unas horas para secar bien el interior.
- Limpie o cambie el filtro.
- Desenchufe y guarde el cable de alimentación.
- Cubra el dispositivo en una caja de cartón o bolsa cerrada.
- Ni almacene el aparato en una habitación de menos de 7m<sup>2</sup> (DXMA04) o 10m<sup>2</sup> (DXMA05). Esto tiene que ver con el propano que contiene el aire acondicionado. Si se almacena en un espacio demasiado pequeño, puede causar peligro de explosión.

## 4. Funciones



- 1 ON/OFF (alimentación)
- 2 Velocidad (ventilación)
- 3 Indicador del temporizador
- 4 Temporizador
- 5 Modo nocturno
- 6 Indicador del modo nocturno
- 7 Selección de modo
- 8 Más temperatura
- 9 Menos temperatura
- 10 Indicador de funcionamiento del compresor
- 11 Indicador de llenado de agua

- 12 Indicador de ventilación baja
- 13 Indicador de ventilación media
- 14 Indicador de ventilación alta
- 15 Receptor del mando a distancia
- 16 Pantalla LCD
- 17 Indicador de modo automático
- 18 Indicador de modo deshumidificación
- 19 Indicador del modo de enfriamiento
- 20 Botón/indicador de wifi
- 21 Indicador de modo ventilación
- 22 Botón de wifi

### Interruptor de encendido

- 1 Pulse el botón ON/OFF y el aparato se pondrá en funcionamiento. Si la temperatura ambiente es:
  - Mayor que 22 °C, el aparato se pondrá en funcionamiento en el modo de enfriamiento.
  - Con una temperatura de más de 20 °C, pero inferior o igual a 22 °C, el aparato se pondrá en funcionamiento en el modo de ventilación.
- 2 Los indicadores de las funciones en curso se muestran al mismo tiempo.

**Nota:** La ventana de visualización muestra la temperatura ambiente de 0 °C a 50 °C.

- 3 Para apagar el aparato, vuelva a pulsar el botón ON/OFF.

se alcance la temperatura deseada, el aire acondicionado pasará al modo ventilación.

### Modo ventilación

El modo ventilación quiere decir que el aire acondicionado únicamente ventila el aire. El dispositivo mueve el aire en el espacio, resultando en un efecto refrigerante. En este modo, el compresor no se enciende.

### Modo automático

Si el modo AUTO está activado, la velocidad de ventilación será elegida automáticamente según la temperatura ambiente (el indicador correspondiente se iluminará). En modo AUTO, el botón de VELOCIDAD estará bloqueado.

### Selección del modo de funcionamiento

Pulse el botón MODE para seleccionar el modo de funcionamiento que prefiera: automático, enfriamiento, ventilación o deshumidificación. El indicador del modo seleccionado se iluminará.

### Modo refrigeración

Cuando el aire acondicionado se encuentre en modo refrigeración, refrigerará el espacio. Al hacerlo, se encenderá el compresor. Cuando

### Configuración de la temperatura

- 1 Pulse el botón de 'Más temperatura' o el de 'Menos temperatura' para regular la temperatura, según prefiera.
- 2 La ventana de visualización le indicará la temperatura configurada al pulsar los botones 'Más temperatura' o 'Menos temperatura'. En el modo de espera siempre se mostrará la temperatura ambiente.
- 3 El ajuste de fábrica por defecto de esta máquina es: 24 °C para el enfriamiento

## Regulación de la velocidad de ventilación

- 1 Pulse el botón VELOCIDAD para elegir la velocidad de ventilación que prefiera: alta, media o baja. Se iluminará el indicador de ventilación alta, media o baja.

## Configuración del temporizador

- 1 Pulsando el botón TEMPORIZADOR sin utilizar las otras funciones, se puede activar el retardo de arranque. Por ejemplo, si pone el temporizador a '2', el aparato se encenderá automáticamente después de 2 horas.
- 2 Pulse el botón TEMPORIZADOR para establecer un tiempo muerto (de 1 a 24 horas, el indicador del temporizador se iluminará). Cuando se alcanza el tiempo ajustado, la máquina se apaga automáticamente. La pantalla LCD le mostrará la(s) hora(s) configuradas cuando pulse el botón TEMPORIZADOR.

## Modo nocturno

- 1 Al pulsar el botón de modo NOCTURNO en el modo de refrigeración, la temperatura configurada aumentará 1 °C después de una hora, otro grado a las dos horas, manteniéndose posteriormente a dicha temperatura.
- 2 En el modo NOCTURNO, el ventilador permanecerá a una velocidad baja. Al pulsar de nuevo el botón del modo NOCTURNO, la temperatura y la velocidad de ventilación volverán a adoptar la configuración previa.
- 3 El aparato se apagará automáticamente cuando el modo NOCTURNO esté en funcionamiento durante más de 12 horas.

**⚠ Nota:** el modo nocturno no se encuentra disponible cuando la máquina está en el funcionamiento en los modos AUTOMÁTICO, ventilación o deshumidificación.

**⚠ Nota:** en el modo nocturno, la pantalla se atenuará automáticamente después de unos segundos. Presione un botón aleatorio para reactivar el panel de control.

## Autodiagnóstico

La máquina está equipada con un software de autodiagnóstico. Si el dispositivo no funciona, en la pantalla LCD se visualizará «E1» o «E2». Cuando esto ocurra, póngase en contacto con el punto de venta.

Todas las funciones anteriores se pueden ejecutar, además, con el mando a distancia suministrado. El mando a distancia necesita una pila CR2032 para su funcionamiento.

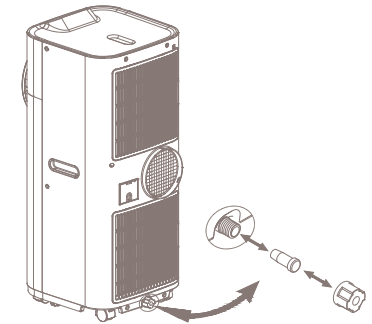
### ⚠ Nota:

- Para prolongar la vida útil del compresor, espere al menos 3 minutos antes de volver a conectar el dispositivo después de apagarlo.
- El sistema de enfriamiento dejará de funcionar cuando la temperatura ambiente sea inferior a la configurada. Sin embargo, la ventilación sigue funcionando en el nivel configurado. Si la temperatura ambiente se incrementa por encima del nivel seleccionado, el enfriamiento volverá a funcionar.

## Desagüe

Durante el proceso de enfriamiento, el aparato extrae agua del aire. Si el depósito está lleno, tanto el compresor como el motor se apagarán y los aparatos emitirán un zumbido (pulse cualquier botón para apagar). El indicador LLENO DE AGUA parpadeará para avisarle.

En este caso, vacíe el agua siguiendo los pasos que se indican a continuación:

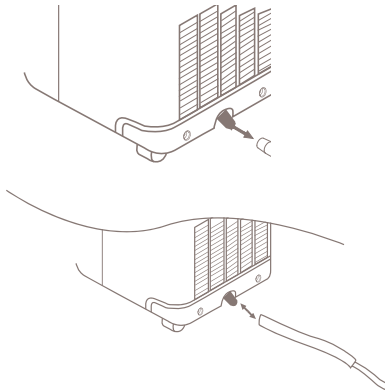


- 1 Apague el acondicionador de aire y evite moverlo cuando el depósito de agua esté lleno.
- 2 Coloque un recipiente (una bandeja de agua, por ejemplo) debajo del orificio de desagüe.
- 3 Retire la perilla de desagüe y el tapón de goma del orificio de desagüe y deje que el agua salga.
- 4 Cuando el recipiente esté casi lleno, cierre el orificio de desagüe con el tapón de goma y vacíe el agua de la bandeja.
- 5 Repita hasta que el aparato esté completamente vacío.

- 6 Vuelva a colocar el tapón de goma y apriete firmemente la perilla de desagüe.
- 7 Encienda el dispositivo, el indicador de llenado de agua no debería parpadear más.

Si desea hacer funcionar el aparato sin necesidad de vaciar el depósito de agua (desagüe continuo), siga estos pasos:



- Retire la perilla de desagüe y el tapón de goma y guárdelos para usarlos en el futuro.
- Conecte, como se indica, el tubo de desagüe suministrado a la salida del agua y coloque el otro extremo en un desagüe.
- El tubo de desagüe puede alargarse añadiendo un tubo de prolongación y empleando un conector adecuado.



**Nota:**

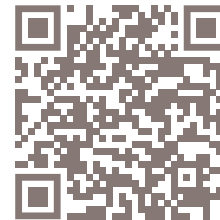
- El desagüe debe estar a la altura o por debajo del nivel de salida.
- El indicador LLENO DE AGUA se desactivará en el modo de desagüe.

## Modo wifi

Presione y mantenga presionado el botón  durante 5 segundos para activar el modo wifi. El indicador parpadeará y comenzará a buscar dispositivos con los cuales emparejarse. Una vez establecida la conexión, el  se quedará fijo.

## Funcionamiento del wifi y de la aplicación

Escanee el código QR que se muestra a continuación para descargar la aplicación Duux o busque DUUX APP en App Store o en Google Play Store. Una vez instalada, introduzca su dirección de correo electrónico y complete el registro.



APP STORE



PLAY STORE

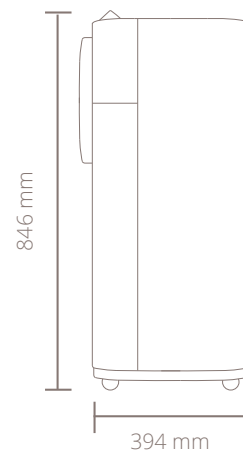
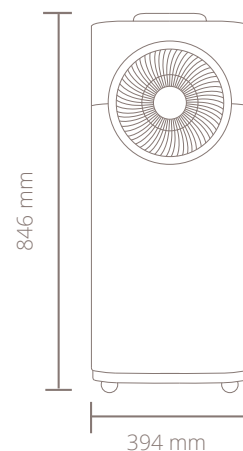
## Conectarse al wifi

- 1 Cuando se haya registrado, haga clic en «añadir dispositivo duux» en la pantalla principal, o use el botón «+» situado en la esquina superior derecha para añadir un nuevo dispositivo.
- 2 Busque «Blizzard» y presione para continuar
- 3 Conéctese a su red wifi preferida e introduzca la clave correspondiente
- 4 Siga las instrucciones indicadas en la aplicación para completar el proceso de emparejamiento.

**Nota:** si experimenta problemas al conectarse o al utilizar la aplicación, consulte las preguntas frecuentes en el menú de la aplicación.

Tu refrescante  
compañero para  
esos calurosos  
días de verano.

## 5. Datos técnicos



Capacidad de enfriamiento:  
10.000/12.000btu/h



Consumo de energía:  
1-1150/1350W



Nivel de ruido:  
53-63dBa



Volumen de aire:  
440/410m<sup>3</sup>/hr



Área efectiva:  
25/28m<sup>2</sup>



Modos de operación:  
5 (auto, enfriamiento, manual,  
deshumidificante, modo nocturno)



Refrigerante:  
R290



Refrigerante:  
Digital LED



Panel de control:  
Soft touch



Temporizador:  
0-24h



Número de artículo:  
DXMA04/05

La apariencia y las  
especificaciones  
están sujetas a  
cambio sin previo  
aviso



## 6. Preguntas frecuentes

### P. El acondicionador de aire no se enciende.

#### ¿Qué tengo que hacer?

- R. - Compruebe si el acondicionador de aire está enchufado.
- Compruebe si hay un posible fallo de alimentación.
- Compruebe si el indicador LLENO DE AGUA parpadea. Si es así, vacíe el depósito de agua.
- Compruebe si la temperatura ambiente es inferior a la temperatura configurada. En ese caso, el dispositivo no se enfriará.

### P. El dispositivo parece tener poco efecto.

#### ¿Qué es lo que está mal o cómo puedo mejorarlo?

- R. - Compruebe si la luz solar directa penetra en la habitación. Cierre todas las cortinas para mantener el calor fuera.
- Cierre puertas y ventanas.
- Si hay muchas personas en la habitación, aumenta la temperatura ambiente, lo que dificulta la obtención de la temperatura deseada.
- Compruebe si hay algo en la habitación que pueda producir mucho calor (por ejemplo, un microondas).
- Compruebe si el filtro contiene polvo o está contaminado.
- Compruebe si la entrada o salida del aire está bloqueada.

- Compruebe si la temperatura ambiente es inferior a la temperatura configurada. En ese caso, el dispositivo no se enfriará.

### P. El aparato hace mucho ruido. ¿Cuál es el problema?

- R. Compruebe si el dispositivo se encuentra sobre una superficie estable y no está colocado de forma desigual. Esto podría provocar que el compresor haga un ruido fuerte.

### P. El compresor no funciona. ¿Cuál es el problema?

- R. Es posible que la protección contra sobrecalentamiento del compresor esté activada. Espere unos minutos a que baje la temperatura.

### P. Veo un código de error. ¿Qué significa?

- R. Revise la siguiente tabla con los códigos de error y sus respectivas explicaciones. En todos los casos, póngase en contacto con su punto de venta o servicio técnico local para su reparación.

### P. ¿Cómo puedo alargar la vida útil del compresor?

- R. Para alargar la vida útil del compresor, deberá esperar como mínimo 3 minutos tras apagar el dispositivo antes de volver a encenderlo.

### P. ¿Por qué no se apaga el dispositivo tras alcanzar la temperatura deseada?

- R. El sistema refrigerador se apagará cuando la temperatura ambiente sea inferior a la temperatura deseada. Sin embargo, la ventilación continuará funcionando según el valor ajustado. Si la temperatura ambiente supera la temperatura deseada, el sistema refrigerador se activará de nuevo.

E1	El sensor de cabezal de resina en el evaporador se averió
E2	El sensor de cabezal de cobre en el tubo de descarga se averió
E3	El cable del sensor de control de temperatura (TC) está suelto o averiado. El compresor y el motor del ventilador se detendrán.
E4	Cuando el cable del sensor de control de temperatura (TC) detecta que la temperatura es $> 0 = 130^{\circ}\text{C}$ durante más de 5 segundos. El compresor y el motor del ventilador se detendrán.

## Eliminación

La directiva europea 2012 / 19 / CE sobre residuos de equipos eléctricos y electrónicos (WEEE), exige que los aparatos eléctricos domésticos anti-guos no deben eliminarse en la recogida de residuos municipal normal sin clasificar. Los aparatos antiguos deben recogerse de forma separada para optimizar la recuperación y el reciclaje de los materiales y reducir el impacto sobre la salud humana y el medioambiente. El símbolo del "cubo de basura" tachado en el producto le recuerda su obligación de que, cuando se deshaga del aparato, debe recogerse de forma separada. Los consumido-res deben ponerse en contacto con las autoridades locales o con el distribuidor para obtener información respecto a la correcta eliminación del aparato antiguo.



# Vielen Dank, dass Sie sich für Duux entschieden haben.

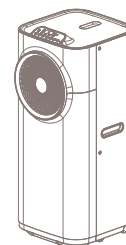
Super, dass Sie sich Zeit zum Lesen der Bedienungsanleitung Ihres Duux mobiles Klimageräte nehmen. Viele Menschen verzichten auf das Lesen der Bedienungsanleitung und versuchen sich alleine mit einem neuen Gerät vertraut zu machen. Studien aber haben gezeigt, dass das Lesen von Bedienungsanleitungen dabei hilft, ein neues Gerät deutlich schneller und effizienter kennenzulernen als im Selbstversuch.

Wir von Duux glauben, dass gute Raumluft unser Wohlbefinden und unsere Lebensqualität verbessert. Deswegen arbeiten wir jeden Tag hochmotiviert daran, ansprechende, funktionale und effektive Produkte zu entwickeln, die Ihnen die bestmögliche Raumluft nach Hause bringen und Ihr Wohlergehen positiv beeinflussen.

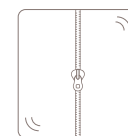
Unproduktive Arbeitstage, stickige Restaurants oder schlaflose Nächte. Der Sommer wird jedes Jahr länger und heißer, deshalb brauchst du einen neuen besten Freund, mit dem diese Tage viel angenehmer werden. Wir präsentieren Blizzard: eine mobile Klimaanlage zur effizienten Abkühlung. Durch sein unkonventionelles Design ist dieses Gerät ein echter Hingucker, die Räder und Griffe an beiden Seiten machen es total mobil. So bleibst du immer frisch.

Lesen Sie die Anleitung sorgfältig, um Ihren Blizzard mobiles Klimageräte optimal zu nutzen.

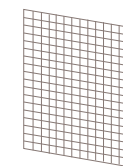
## Verpackungsinhalt



Blizzard



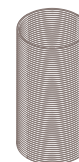
Fensterabdichtungsset



Aktivkohlefilter



Fernbedienung



Ablaufschlauch



Ablaufschlauch für durchgängige Entwässerung



Anschluss für Ablaufschlauch



Adapter

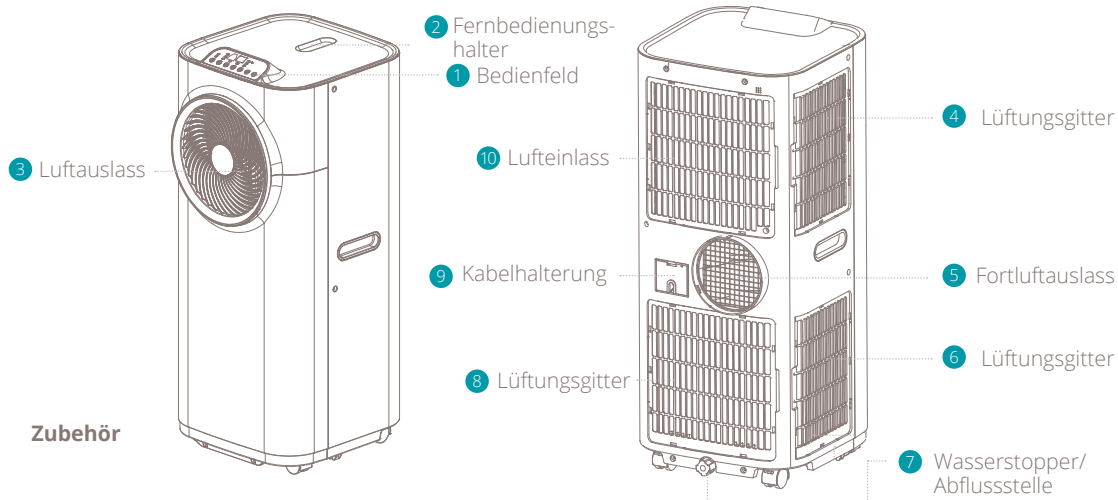


Gebrauchsanweisung

## Inhaltsverzeichnis

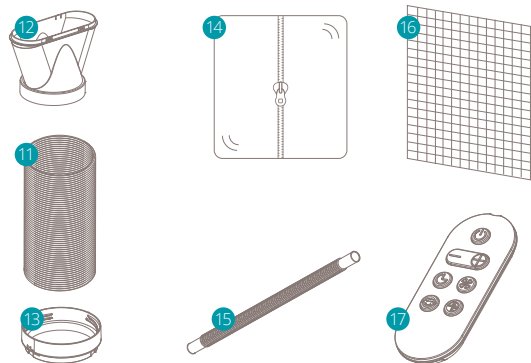
1. Produktübersicht	84
2. Installation	85
3. Wartung	91
4. Funktionen	92
5. Technische Daten	99
6. FAQ	100

# 1. Produktübersicht



## Zubehör

- 11 Auslassschlauch
- 12 Adapter - zum Einsetzen über den Schlauch und in den Fenster-Abstandhalter (oder in die Öffnung in der Wand/im Fenster).
- 13 Anschluss für Auslassrohr
- 14 Fensterdichtungsset
- 15 Auslassschlauch für kontinuierliche Entwässerung
- 16 Aktivkohlefilter
- 17 Fernsteuerung



# 2. Installation

## Bitte vor der Installation durchlesen

- Dieses Gerät ist mit Propangas R290 gefüllt. Befolgen Sie genau die Anweisungen des Herstellers in Bezug auf die Verwendung und Reparaturen.
- Lesen Sie die gesamte Bedienungsanleitung sorgfältig durch, bevor sie das Gerät verwenden.
- Das Gerät nicht in einem Raum, der kleiner als 7m<sup>2</sup> (DXMA04) / 10m<sup>2</sup> (DXMA05) ist, installieren, bedienen oder lagern. Dies steht im Zusammenhang mit dem Propangas in der Klimaanlage. Wenn diese in einem zu kleinen Raum gelagert wird, kann Explosionsgefahr entstehen.



## Allgemeine Vorsichtsmaßnahmen

- Nur für den Innengebrauch.
- Nicht in Schränken, Abstellräumen, Booten, Wohnwagen oder ähnlichen Orten verwenden.
- Verwenden Sie das Gerät nicht in

Schwimmbädern, Waschräumen oder ähnlichen Feuchträumen..

- Lassen Sie das Gerät 12 Stunden lang stehen, bevor Sie es nach dem Transport an das Stromnetz anschließen oder wenn es (z. B. während der Reinigung) gekippt wurde.
- Verwenden Sie das Gerät nur in aufrechter Position auf ebener Fläche (auch während des Transports) und mindestens 50 cm von Gegenständen entfernt.
- Verwenden Sie das Gerät nicht in einer explosionsgefährdeten Umgebung mit entflammaren Flüssigkeiten, Gasen oder Stäuben.
- Verwenden Sie das Gerät nicht in der Nähe von brennbaren oder explosionsgefährlichen Stoffen oder Kraftstoffen. Verwenden Sie niemals Farben, Reinigungssprays, Insektensprays oder ähnliches in der Nähe des Geräts; dies könnte den Kunststoff verformen oder elektrische Schäden verursachen.
- Stellen Sie sicher, dass der Abstand zwischen den Seiten des Geräts und brennbaren Heizmaterialien mindestens 50 cm beträgt.
- Legen Sie keine Gegenstände auf das Gerät oder blockieren Sie den Lufteintritt/-austritt.
- Vermeiden Sie die Einwirkung von Spritzwasser auf das Gerät.
- Achten Sie auf Kinder und Haustiere, wenn das

Gerät verwendet wird.

- Dieses Gerät kann von Kindern ab 8 Jahren und Personen mit eingeschränkten physischen, sensorischen oder geistigen Fähigkeiten oder ohne Erfahrung und Kenntnisse verwendet werden, wenn sie es beaufsichtigt verwenden oder wenn sie in Bezug auf die sichere Verwendung des Geräts unterwiesen wurden und die Gefahren verstehen.
- Erlauben Sie den Kindern nicht, mit dem Gerät zu spielen.
- Reinigung und einfache Wartung dürfen von Kindern nicht ohne Aufsicht durchgeführt werden.
- Schalten Sie das Gerät aus und trennen Sie es vom Stromnetz, wenn es nicht verwendet wird.
- Lassen Sie ein arbeitendes Gerät nie ohne Aufsicht.
- Ziehen Sie das Gerät nicht am Kabel.
- Vermeiden Sie übermäßiges Verdrehen, Abwickeln und Ziehen des Netzkabels. Binden Sie das Netzkabel nie mit Nylon oder Eisendraht.
- Stellen Sie sicher, dass Stecker und Steckdose immer sichtbar und zugänglich sind.
- Verwenden Sie keine Verlängerungskabel.
- Nehmen Sie nie das Gerät aus dem Wasser heraus, wenn es ins Wasser gefallen ist. Ziehen Sie in einem solchen Fall den Stecker sofort aus der Steckdose und lassen Sie das Gerät überprüfen, bevor Sie es erneut verwenden.
- Wenn das mitgelieferte Netzkabel beschädigt ist, muss es von einem Elektriker oder einer qualifizierten Person ausgetauscht werden, um

Gefahren zu vermeiden.

- Die Stromversorgung muss die Spezifikation auf dem Typenschild auf der Rückseite des Geräts erfüllen.
- Das Gerät muss gemäß den nationalen Verdrahtungsvorschriften installiert werden.
- Für maximalen Wirkungsgrad darf die empfohlene Raumgröße nicht überschritten werden.
- Schließen Sie Türen und Fenster, um optimalen Wirkungsgrad zu gewährleisten.
- Halten Sie während der Tageszeit, wenn die Sonne am meisten scheint, Vorhänge oder Jalousien geschlossen.
- Halten Sie die Filter sauber.
- Wenn die gewünschten Raumbedingungen erreicht wurden, reduzieren Sie die Temperatur- und Belüftungseinstellungen.
- Schalten Sie das Gerät nicht ein, wenn Sie Schäden am Gerät, am Kabel oder am Stecker festgestellt haben, oder wenn das Gerät Störungen hat oder wenn ein anderer Fehler vorliegt. Senden Sie das gesamte Produkt zur Kontrolle oder Reparatur an einen Händler oder an einen zugelassenen Elektriker. Fragen Sie immer nach Originalteilen. Das Gerät (einschließlich Kabel und Stecker) darf nur von autorisierten und qualifizierten Personen geöffnet und/oder repariert werden.
- Nur ein lizenziertes Fachmann darf das Gerät auseinander bauen oder verändern.
- Dieses Gerät darf nur für den vorgeschriebenen Zweck verwendet werden. Jede andere Verwendung gilt als Grund für Missbrauch.

Der Benutzer/Betreiber, nicht der Hersteller, übernimmt die Haftung für alle Sach- bzw. Personenschäden, die dadurch verursacht werden.

### Bitte lesen Sie diese Warnhinweise sorgfältig durch.

- Dieses Gerät enthält das Kältemittel R290. R290 ist ein Kältemittel, das den geltenden europäischen Richtlinien entspricht. Der Kältemittelkreislauf darf auf keinen Fall perforiert werden. R290 ist brennbar (GWP3)!
- Verwenden Sie nur die Mittel zur Beschleunigung des Abtauvorgangs oder zur Reinigung, die vom Hersteller empfohlen werden.
- Das Gerät muss in einem Raum aufbewahrt werden, in dem sich keine Zündquelle im Dauerbetrieb befindet (wie zum Beispiel: offene Flammen, Gasgeräte in Betrieb oder elektrische Heizelemente in Betrieb).
- Die zum Kühlkreislauf des Gerätes gehörenden Teile dürfen nicht durchbohrt oder verbrannt werden. Richten Sie keine Lichtquellen auf das Gerät.
- Das Gerät muss so gelagert werden, dass mechanische Schäden ausgeschlossen sind.
- Kältemittel können keine Geruchsstoffe enthalten, weswegen Sie Signale für ein mögliches Austreten nicht riechen können.
- Die nationalen Gasvorschriften müssen

eingehalten werden.

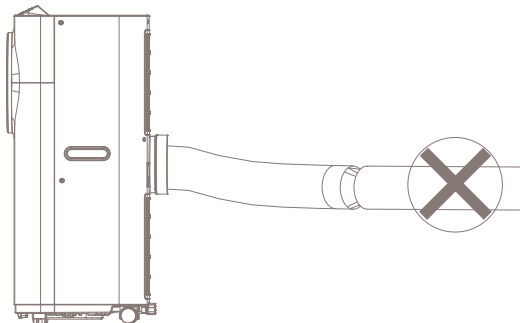
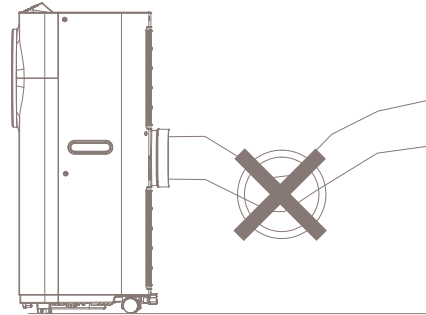
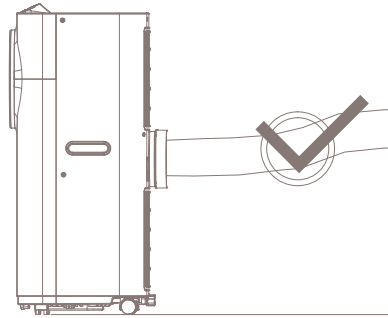
- Sorgen Sie dafür, dass die Belüftungsöffnungen frei von Verstopfungen bleiben.
- Personen, die an Arbeiten an einem Kältemittelkreislauf oder an dessen Unterbrechung beteiligt sind, müssen im Besitz eines aktuell gültigen Zertifikats sein, das von einer von der Branche anerkannten und für diesen Zweck autorisierten Einrichtung ausgegeben wurde.

## Installation des Fensterdichtungsset

Blizzard ist eine mobile Klimaanlage, die zwischen Räumen bewegt werden kann.

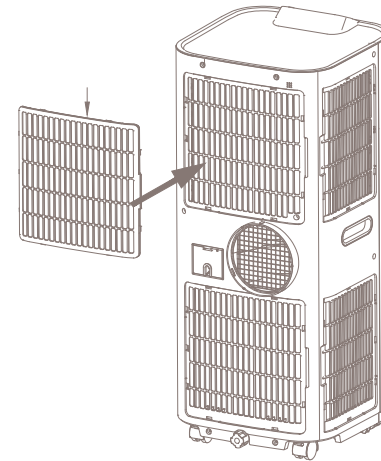
## Montage des Auslassrohrs

- Verwenden Sie nur den beigelegten Schlauch und klemmen Sie den Auslassschlauch an der Rückseite der Klimaanlage an
- Vermeiden Sie Knicke und Biegungen im Auslassschlauch, da dies zu Ansammlungen feuchter ausgestoßener Luft führen kann, wodurch das Gerät überhitzt und ausgeschaltet wird. Abbildungen unten zeigen die richtige Position.
- Der Schlauch kann von 300 mm auf 1500 mm verlängert werden, wobei aber die kürzeste Länge maximalen Wirkungsgrad ergibt.



## Installation des Kohlefilters

- 1 Entfernen Sie das oberste Gitter an der Rückseite der Klimaanlage.
- 2 Nehmen Sie den Filter vom Gerät ab.
- 3 Nehmen Sie den Aktivkohlefilter aus der Plastiktüte.
- 4 Setzen Sie den Aktivkohlefilter in die Rückseite des Geräts ein.
- 5 Setzen Sie den Filter wieder in das Gerät ein.
- 6 Setzen Sie das Gitter wieder in die Klimaanlage ein.



**⚠ Warnung!** Die Länge des Auslassrohrs entspricht speziell den Spezifikationen dieses Produkts. Ersetzen oder verlängern Sie es nicht mit Ihrem eigenen Rohr, da dies zu Störungen des Geräts führen kann.

## Installieren der Fernbedienung

- 1 Den Deckel entfernen
- 2 Batterie gemäß den Anweisungen auf dem Deckel mit der richtigen Polarität einlegen
- 3 Deckel schließen

### ⚠ Hinweise:

- Ausschließlich 1x CR2032 3V Batterien verwenden
- Nicht wiederaufladbare Batterien dürfen nicht wieder aufgeladen werden
- Verbrauchte Batterien sind aus der Fernbedienung zu entfernen und sicher zu entsorgen
- Wenn die Fernbedienung über einen längeren Zeitraum unbenutzt gelagert wird, sollte die Batterie entfernt werden
- Anschlussklemmen sollten nicht kurzgeschlossen werden

## Tipps und Hinweise

Bitte beachten Sie die folgenden Hinweise, damit die Klimaanlage ihre höchste Leistung erreichen kann:

- Schließen Sie Türen und Fenster des Raumes, der klimatisiert werden soll. Die einzige Ausnahme gilt, wenn das Gerät in einer Wandöffnung installiert wurde. In diesem Fall gilt die Empfehlung, eine Tür oder ein Fenster einen Spalt weit geöffnet zu lassen, um für Frischluftzufuhr zu sorgen.
- Verwenden Sie das Gerät nicht in Räumen mit einer hohen Luftfeuchtigkeit (z.B. einer Wäscherei).
- Schützen Sie den Raum vor direkter Sonneneinstrahlung, indem Sie die Vorhänge zuziehen oder die Jalousien teilweise schließen, um einen sehr sparsamen Betrieb zu erreichen (Abb. 21).
- Verwenden Sie das Gerät nicht im Freien.
- Sorgen Sie dafür, dass sich im Raum keine Wärmequellen befinden.
- Überprüfen Sie, ob der Boden, auf dem die Klimaanlage aufgestellt wurde, eben ist.
- Legen Sie keine Gegenstände unter die Klimaanlage.
- Blockieren Sie die Lufteinlassöffnungen nicht.

**⚠ Achtung:** Wenn die Außentemperatur über einen längeren Zeitraum hoch ist, ist diese Wärme auch im Haus spürbar. Möbel, Bettwäsche, Vorhänge, Teppiche und ähnliche Gegenstände speichern viel Wärme. Dadurch dauert es möglicherweise länger, bis die Klimaanlage den Raum kühlt

## 3. Wartung

Trennen Sie die Klimaanlage vor der Reinigung immer vom Netz. Reinigen Sie die Klimaanlage regelmäßig, um den Wirkungsgrad der Klimaanlage zu maximieren.

### Reinigung des Gehäuses

Wischen Sie das Gehäuse mit einem weichen, feuchten Tuch ab.

Verwenden Sie nie aggressive Chemikalien, Benzin, Reinigungsmittel, chemisch behandelte Tücher oder andere Reinigungsmittel. Alle diese Mittel können das Gehäusematerial verletzen.

### Filterreinigung

Verwenden Sie einen Staubsauger oder klopfen Sie leicht auf den Filter, um losen Staub und Schmutz vom Filter zu entfernen, und spülen Sie ihn anschließend gründlich unter fließendem Wasser (nicht mehr als 40°C). Vor dem Austauschen gründlich trocknen.

**⚠ Hinweis:** Betreiben Sie das Gerät nie ohne Filter.

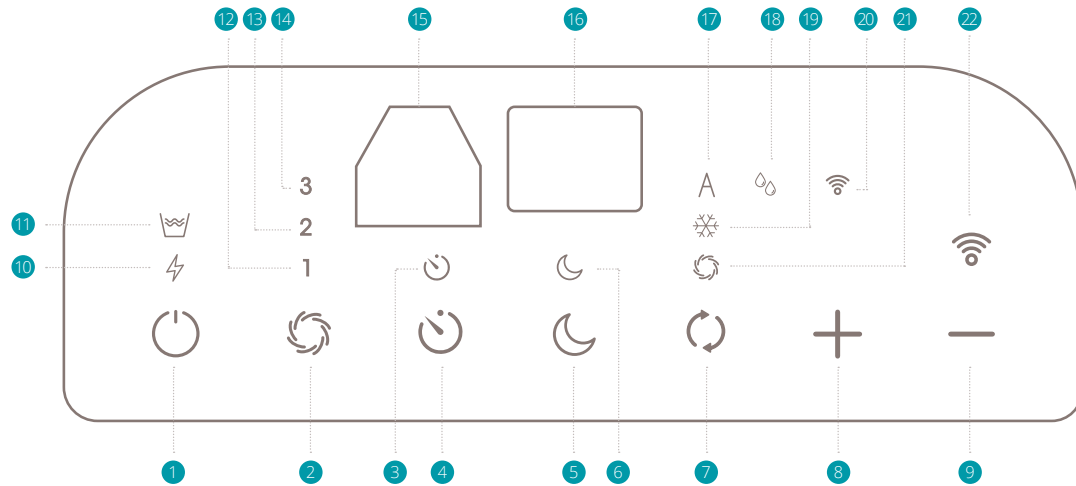
**⚠ Tipp:** Reinigen Sie den Filter alle 2 Wochen. Eine Klimaanlage mit sauberem Filter funktioniert besser! Sie können die Staubteilchen mit einem trockenen Tuch oder ganz vorsichtig mit dem Staubsauger aus dem Filter entfernen.

**⚠ Achtung:** Verwenden Sie die Klimaanlage niemals ohne Filter. Dadurch gelangen Staubpartikel auf die Lamellen, die Sie später nicht mehr entfernen können.

### Langzeitlagerung

- Lassen Sie Restwasser aus dem Gerät abfließen.
- Betreiben Sie das Gerät nur einige Stunden im Belüftungsmodus, um den Innenraum gründlich zu trocknen.
- Reinigen oder wechseln Sie den Filter.
- Ziehen Sie das Netzkabel und bewahren Sie es auf.
- Decken Sie das Gerät in einem geschlossenen Karton oder einer geschlossenen Tasche ab.
- Das Gerät nicht lagern in einem Raum, der kleiner als 7m<sup>2</sup> (DXMA04) / 10m<sup>2</sup> (DXMA05) ist. Dies steht im Zusammenhang mit dem Propangas in der Klimaanlage. Wenn diese in einem zu kleinen Raum gelagert wird, kann Explosionsgefahr entstehen.

## 4. Funktionen



- 1 EIN/AUS (Strom)
- 2 Geschwindigkeit (Belüftung)
- 3 Timer-Anzeige
- 4 Timer
- 5 Nacht-Modus
- 6 Nacht-Modusanzeige
- 7 Auswahlmodus
- 8 Temperatur erhöhen
- 9 Temperatur senken
- 10 Anzeige für Kompressorbetrieb
- 11 Anzeige für Vollwasser

- 12 Anzeige für niedrige Belüftung
- 13 Anzeige für mittlere Belüftung
- 14 Anzeige für hohe Belüftung
- 15 Empfänger für Fernbedienung
- 16 LCD Bildschirm
- 17 Auto-Modus-Anzeige
- 18 Entfeuchtungsmodus-Anzeige
- 19 Kühlmodus-Anzeige
- 20 WLAN-Taste/-Anzeige
- 21 Lüftermodus-Anzeige
- 22 WLAN-Taste

### Stromschalter

- 1 Drücken Sie die ON/OFF-Taste und das Gerät wird gestartet. Wenn die Umgebungstemperatur:
  - höher als 22°C ist, arbeitet das Gerät im Kühlmodus
  - höher als 20°C, aber weniger oder gleich 22°C ist, arbeitet das Gerät im Belüftungsmodus.
- 2 Anzeigen der laufenden Funktionen werden gleichzeitig angezeigt.

**⚠ Hinweis:** Das Anzeigefenster zeigt die Umgebungstemperatur von 0°C bis 50°C.

- 3 Um das Gerät auszuschalten, drücken Sie erneut die ON/OFF-Taste.

### Betriebsmodus wählen

Drücken Sie die Taste MODE, um den bevorzugten Betriebsmodus auszuwählen: Automatik, Kühlung, Lüfter oder Entfeuchtung. Die Anzeige des ausgewählten Modus leuchtet auf.

### Kühlmodus

Wenn die Klimaanlage im Kühlmodus läuft, kühlt sie den Raum. Dabei wird der Kompressor eingeschaltet. Wenn die Klimaanlage die gewünschte Temperatur erreicht hat, geht sie in

den Ventilatormodus über.

### Ventilatormodus

Im Ventilatormodus funktioniert die Klimaanlage lediglich als Ventilator. Sie bewegt die Luft im Raum, was eine kühlende Wirkung hat. In diesem Modus ist der Kompressor nicht eingeschaltet.

### Automatischer Modus

Wenn der Modus AUTO aktiviert ist, wird die Geschwindigkeit abhängig von der Umgebungstemperatur automatisch ausgewählt (die entsprechende Anzeige leuchtet auf). Im AUTO-Modus ist der Geschwindigkeitsschalter blockiert

### Setting the temperature

- 1 Drücken Sie die Taste „Temperatur erhöhen“ oder „Temperatur senken“, um die Temperatur nach Bedarf einzustellen.
- 2 Im Anzeigefenster wird die von Ihnen eingestellte Temperatur angezeigt, wenn Sie auf die Schaltfläche „Temperatur erhöhen“ oder „Temperatur senken“ drücken. Im Standby-Modus wird immer die Umgebungstemperatur angezeigt.
- 3 Die bei diesem Gerät Standardwerkseinstellung ist: 24°C zum Kühlen.

## Einstellung der Belüftungsgeschwindigkeit

- 1 Drücken Sie die Taste SPEED, um die gewünschte Belüftungsgeschwindigkeit (hoch, mittel oder niedrig) auszuwählen. Die Anzeige für hohe, mittlere oder niedrige Belüftung leuchtet auf.

## Einstelle es Timers

- 1 Durch Drücken der Taste TIMER ohne Verwendung der anderen Funktionen können Sie eine Startverzögerung aktivieren. Wenn Sie zum Beispiel den Timer auf „2“ stellen, startet das Gerät nach 2 Stunden automatisch.
- 2 Drücken Sie die Taste TIMER, um eine Pausenzeit einzustellen (1 bis 24 Stunden, die Timeranzeige leuchtet). Wenn die eingestellte Zeit erreicht ist, schaltet sich das Gerät automatisch aus. Die LCD-Anzeige zeigt die Stunde(n) an, die Sie beim Drücken der Taste TIMER eingestellt haben.

## Nacht-Modus

- 1 Wenn Sie im Kühlmodus die Nacht-Modus-Taste drücken, steigt die eingestellte Temperatur nach einer Stunde um 1°C, nach zwei Stunden um weitere 1°C und bleibt dann

auf dieser Temperatur.

- 2 Im Nacht-Modus bleibt die Belüftung auf niedriger Geschwindigkeit. Durch erneutes Drücken der Nacht-Modus-Taste wird die Temperatur und Lüftungsgeschwindigkeit auf die vorherigen Einstellungen zurückgesetzt.
- 3 Das Gerät wird automatisch ausgeschaltet, wenn der Nachtmodus länger als 12 Stunden ausgeführt wird.

**⚠ Hinweis:** Der Nachtmodus ist nicht verfügbar, wenn das Gerät im AUTO-Modus, Lüfter-(Belüftungs-) oder Entfeuchtungsmodus arbeitet.

**⚠ Hinweis:** Im Nachtmodus wird die Anzeige nach wenigen Sekunden automatisch gedimmt. Drücken Sie auf eine beliebige Taste, um das Bedienfeld zu aktivieren.

## Selbstdiagnose

Dieses Gerät ist mit einer Selbstdiagnose-Software ausgestattet. Wenn das Gerät nicht arbeitet, zeigt das LCD-Display „E1“ oder „E2“ an. Wenden Sie sich bitte in diesem Fall an ihren Verkäufer.

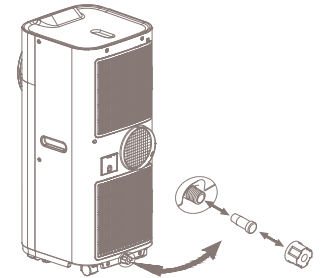
Alle oben genannten Funktionen können auch mit der mitgelieferten Fernbedienung ausgeführt werden. Für diese Fernbedienung ist eine Zellenbatterie CR2032 erforderlich.

### ⚠ Hinweis:

- Um die Lebensdauer des Kompressors zu verlängern, warten Sie bitte mindestens 3 Minuten, bevor Sie das Gerät nach dem Ausschalten wieder einschalten.
- Das Kühlsystem wird ausgeschaltet, wenn die Umgebungstemperatur unter dem Einstellwert liegt. Die Belüftung bleibt jedoch auf dem eingestellten Wert. Die Kühlung schaltet wieder ein, wenn die Umgebungstemperatur über den gewählten Wert steigt.

## Entwässerung

Während des Kühlvorgangs wird in das Gerät aus der Luft eine bestimmte Menge Wasser extrahiert. Wenn der Behälter voll ist, beides werden sowohl der Kompressor als auch der Motor ausgeschaltet und die Einheiten werden summen (drücken Sie eine beliebige Taste, um den Kompressor auszuschalten). Die Anzeige WATER FULL („WASSER VOLL“) wird blinken, um dies zu signalisieren. In diesem Fall leeren Sie bitte das Wasser, indem Sie die folgenden Schritte ausführen:



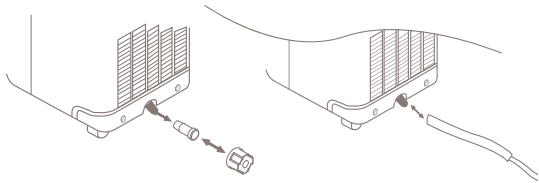
- 1 Schalten Sie die Klimaanlage aus und bewegen Sie sie nicht, wenn der Wassertank voll ist.
- 2 Stellen Sie einen Behälter (z. B. eine Wasserschale) unter die Ablassöffnung.
- 3 Entfernen Sie die Ablassschraube und den Gummistopfen aus der Ablassöffnung und lassen Sie das Wasser abfließen.
- 4 Wenn der Behälter fast voll ist, verschließen Sie das Ablaufloch mit dem Gummistopfen und leeren Sie die Wasserschale.
- 5 Wiederholen Sie diesen Vorgang, bis das Gerät vollständig leer ist.



- 6 Ersetzen Sie den Gummistopfen und ziehen Sie die Ablassschraube fest an.
- 7 Schalten Sie das Gerät ein - die Wasser-Voll-Anzeige sollte nicht mehr blinken.

Wenn Sie das Gerät ohne Entleerung des Wasserbehälters verwenden möchten (dauerhafte Entleerung), führen Sie die folgenden Schritte aus:

- Entfernen Sie die Ablassschraube und den Gummistopfen und behalten Sie sie zur späteren Verwendung.
- Schließen Sie den mitgelieferten Ablassschlauch wie gezeigt an den Wasserauslass an und platzieren Sie das andere Ende in einem Abfluss.
- The drain tube may be extended by adding an extension tube and using a suitable connector.



**⚠ Hinweis:**

- Der Abfluss muss sich auf oder unter der Auslassebene befinden.
- Die Anzeige FULL WATER ist in diesem Entwässerungsmodus deaktiviert.

## WLAN-Modus

Den Knopf 5 Sekunden gedrückt halten, um den WLAN-Modus zu aktivieren. Die Anzeige blinkt und beginnt mit der Suche nach den zu koppelnden Geräten. Ist die Verbindung hergestellt, hört das auf zu blinken und ist dauerhaft an.

## WLAN- und App-Betrieb

Den folgenden QR-Code scannen, um die Duux App herunterzuladen, bzw. im AppStore oder bei Google Play nach der Duux App suchen. Nach der Installation deine E-Mail-Adresse eingeben und die Registrierung abschließen.



APP STORE



PLAY STORE

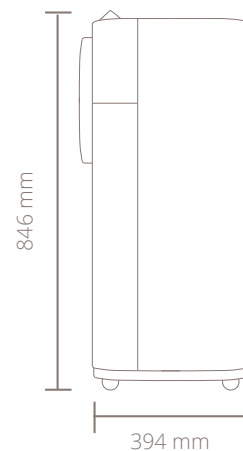
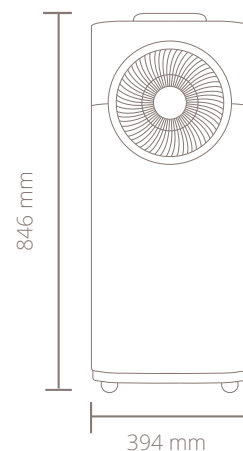
## Mit WLAN verbinden

- 1 Nach dem Registrieren auf „add duux device“ in der zentralen Ansicht klicken oder die Schaltfläche „+“ in der rechten oberen Ecke nutzen, um ein neues Gerät hinzuzufügen.
- 2 „Blizzard“ suchen und drücken, um fortzufahren.
- 3 Eine Verbindung mit dem bevorzugten WLAN-Netzwerk herstellen und das entsprechende Passwort eingeben.
- 4 Den Anweisungen in der App folgen, um den Verbindungsvorgang abzuschließen.

**⚠ Hinweis:** Bei Probleme mit der Verbindung oder Nutzung der App auftreten, bitte die FAQ im App-Menü lesen.

Dein cooler  
Begleiter  
für heiße  
Sommertage.

## 5. Technische Daten



Kühlleistung:  
10.000/12.000btu/h



Energieverbrauch:  
1-1150/1350W



Geräuschpegel:  
53-63dBa



Luftvolumen:  
440/410m<sup>3</sup>/hr



Effektive Fläche:  
25/28m<sup>2</sup>



Betriebsarten:  
5 (Kühlen, manuell,  
entfeuchtung, Nachtmodus)



Kältemittel:  
R290



Display:  
Digital LED



Schalttafel:  
Soft touch



Timer:  
0-24h



Artikelnummer:  
DXMA04/05

Änderungen am  
Gerät in Aussehen  
und Funktion sind  
dem Hersteller  
vorbehalten und  
müssen nicht vorab  
kommuniziert  
werden.

## 6. FAQ

### F. Die Klimaanlage geht nicht an. Was soll ich machen?

- A. - Bitte überprüfen Sie, ob die Klimaanlage angeschlossen ist  
- Bitte überprüfen Sie, ob Stromversorgung ausgefallen ist  
- Bitte überprüfen Sie, ob die Anzeige WATER FULL blinkt. Wenn ja, entleeren Sie den Wasserbehälter.

Bitte überprüfen Sie, ob die Raumtemperatur unter der eingestellten Temperatur liegt. In diesem Fall kühlt das Gerät nicht ab.

### F. Das Gerät scheint wenig Wirkung zu zeigen. Was ist falsch oder wie kann ich das verbessern?

- A. - Bitteüberprüfen Sie, ob direktes Sonnenlicht in den Raum eindringt. Schließen Sie alle Vorhänge, um die Wärme von außen abzuhalten.  
- Schließen Sie Türen und Fenster  
- Die Raumtemperatur erhöht sich bei Aufenthalt von vielen Menschen im Raum, was es schwieriger macht, die gewünschte Temperatur zu erreichen  
- Bitteprüfen Sie, ob sich im Raum etwas befindet, was viel Wärme erzeugen kann (z. B. Mikrowelle)

- Bitteüberprüfen Sie, ob der Filter staubig oder verschmutzt ist  
- Bitteüberprüfen Sie, ob der Lufteinlass oder Luftauslass blockiert ist  
- Bitteüberprüfen Sie, ob die Raumtemperatur unter der eingestellten Temperatur liegt. In diesem Fall kühlt das Gerät nicht ab.

### F. Das Gerät macht viel Lärm. Was ist falsch?

- A. - Bitteüberprüfen Sie, ob das Gerät auf einer stabilen Oberfläche steht und nicht uneben positioniert ist. Dies kann dazu führen, dass der Kompressor laute Geräusche macht.

### F. Der Kompressor funktioniert nicht. Was ist falsch?

- A. Möglicherweise ist der Überhitzungsschutz des Kompressors eingeschaltet. Warten Sie einige Minuten, bis die Temperatur gesunken ist.

### F. Ich sehe eine Fehlermeldung. Was bedeutet das?

- A. Siehe untenstehende Tabelle mit Fehlermeldungen und deren Erläuterungen. Wende dich in jedem Fall bitte an deine Verkaufsstelle oder Servicestelle vor Ort zur Reparatur.

### F. Wie kann ich die Lebensdauer des Kompressors verlängern?

- A. Um die Lebensdauer des Kompressors zu verlängern, müssen Sie nach dem Ausschalten des Gerätes mindestens 3 Minuten warten, bevor Sie es erneut einschalten.

### F. Warum schaltet sich das Gerät nicht ab, wenn die eingestellte Temperatur erreicht wird?

- A. Das Kühlsystem wird abgeschaltet, wenn die Umgebungstemperatur unter der eingestellten Temperatur liegt. Der Ventilator arbeitet dagegen weiterhin entsprechend des eingestellten Wertes. Wenn die Umgebungstemperatur über den ausgewählten Wert ansteigt, wird die Kühlung wieder aktiv.

E1	Der Harzkopf-Sensor am Verdampfer ist ausgefallen
E2	Kupferkopfsensor am Entladerohr ist ausgefallen
E3	Sensorleitung zur Steuerung der Raumtemperatur (TC) ist locker oder ausgefallen. Der Kompressor und der Lüftermotor werden anhalten.
E4	Wenn die TC-Sensorleitung spürt, dass die Temperatur länger als 5 Sekunden 130°C oder höher ist, stoppen der Kompressor und der Lüftermotor.

## Entsorgung

Die europäische Richtlinie 2012 / 19 / CE über Elektro- und Elektronik-Alt-geräte (WEEE) verlangt, dass elektrische Haushaltsgeräte nicht über den Restmüll oder sonstigen Haushaltsabfall entsorgt werden dürfen, sondern an Sammelpunkten für das Recycling von elektrischen und elektronischen Geräten abgegeben werden müssen. So können die Verwertung der enthaltenen Materialien optimiert und ihre Auswirkungen auf die menschliche Gesundheit und die Umwelt reduziert werden. Das durchgestrichene Abfalltonnensymbol auf dem Produkt erinnert Sie an diese Verpflichtung. Bitte fragen Sie bei Ihrer Gemeindeverwaltung nach der zuständigen Entsorgungsstelle.





Designed in The Netherlands by Duux BV. Made in P.R.C.  
Duux BV, P.O. Box 145, 5400 AC Uden Netherlands, [www.duux.com](http://www.duux.com)

© 2021 Duux. All rights reserved.  
DUUX® is a trademark of Duux BV,  
registered in the EU and other countries.  
The brand cited belongs exclusively to the respective owners.

Specifications are subject to modification without notice.

**duux**®

Version: IMDXMA0405\_V3