



Rechargeable Audio Converter

Model: YESIDO YAU25



(I) Specifications

Package contents:

- * 1 Audio Adapter.
- * 1 Charge Cable.
- * 1 3.5mm audio head.
- * 1 User manual.

Specifications:

- * Play time: 4 Hours
- * Battery capacity: 140 mA
- * Working range: open area up to 10 meters, without any obstacles
- * Product size: 59.5mm (L) x 22mm (W) x 12mm (H)

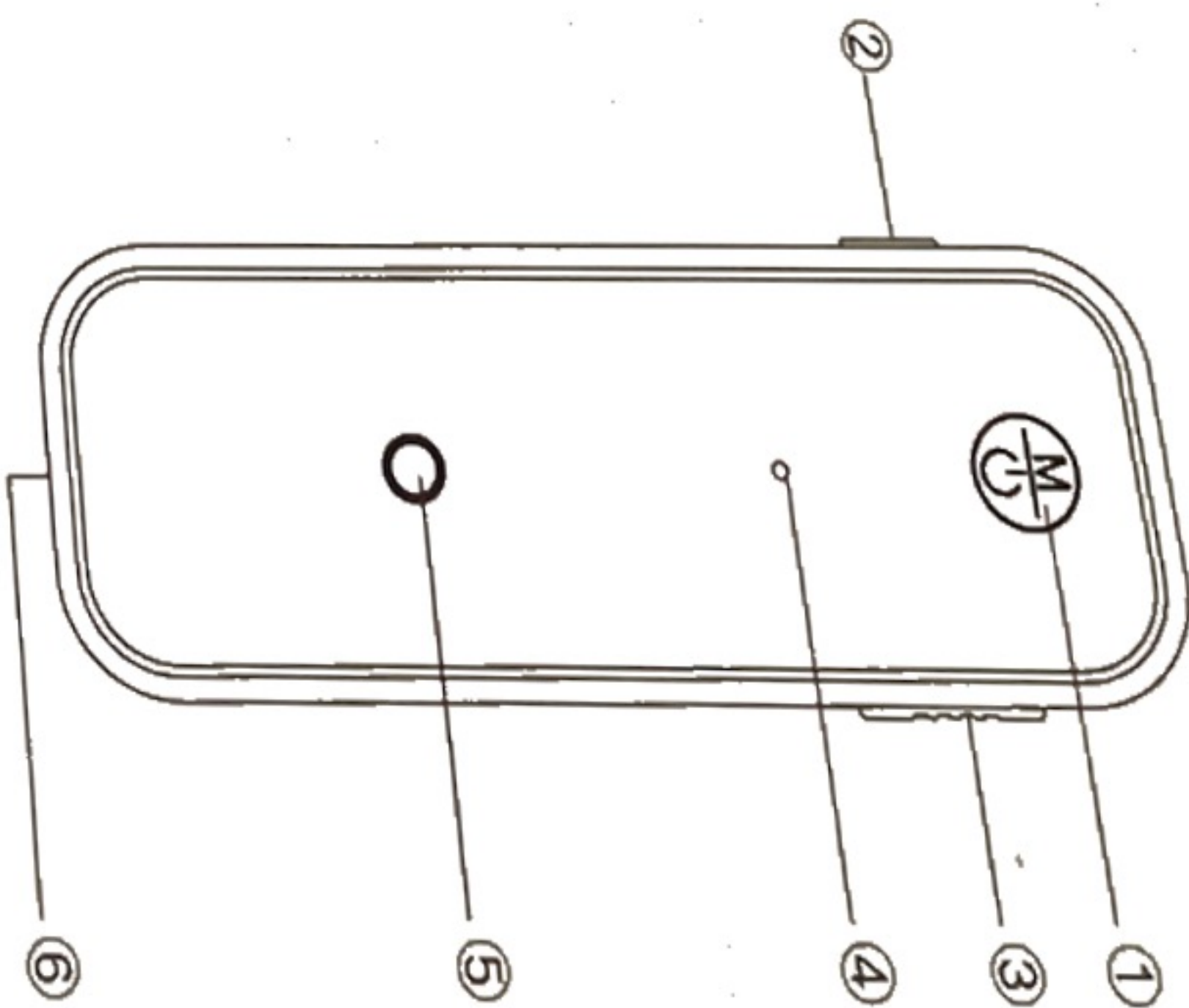


RX ← TX
Transmitter Receiver

One Button Control

Easily switch between transmitter (TX) & receiver (RX) mode.

(II) Interface Diagram



- ①. Multifunction Button (Power/Play/Pause)
- ②. Aux in/out
- ③. Transmitter and Receiver Switches
- ④. Microphone
- ⑤. Indicator Light
- ⑥. 5V/1A Charging port

(III) How To Use

Receiver Mode

1. Use the micro USB cable to charge before use;
2. Connect the YESIDO C7 to your audio device using the AUX cable;
3. Change the switch button to position RX;
4. Turn on the device (Long press in the multifunction button) then the blue light will flash quickly, indicating that is ready for pairing;
5. Find YESIDO C7 in the wireless search of your phone and chose to pair.

Transmitter Mode

1. Use the micro USB cable to charge before use;
2. Connect the YESIDO C7 to your audio device using the AUX cable;
3. Change the switch button to position TX;
4. Turn on the device (Long press in the multifunction button) then the red light will flash quickly, indicating that is ready for pairing;
5. Turn on the device you want to connect and the YESIDO C7 will automatically connect. When the connection is successful the wireless indicator will illuminate red.

User Guide

Guangzhou Guan Su Ge Technology Co Ltd Room
25A-11, 17BChess, No.16, East of Hao Ke Zhou
Street Shi Xi, Haizhu District, Guangzhou, China



www.yesido.com