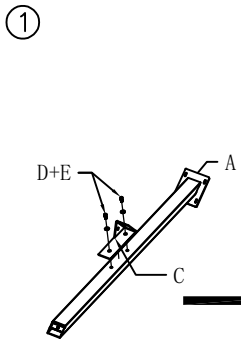
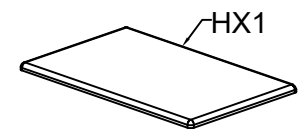
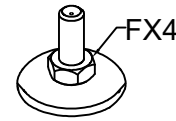
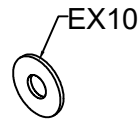
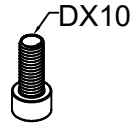
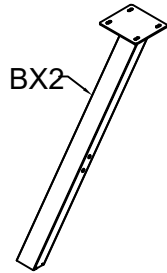
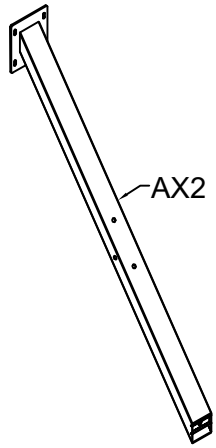
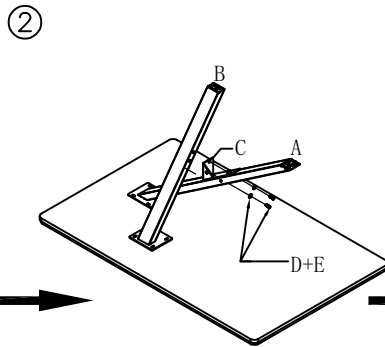


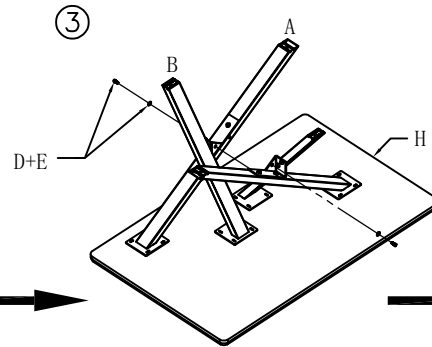
# Assembly Instructions



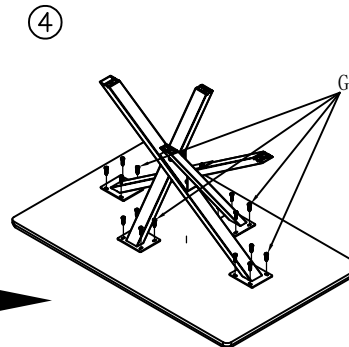
NOTE: Install two A tubes first.



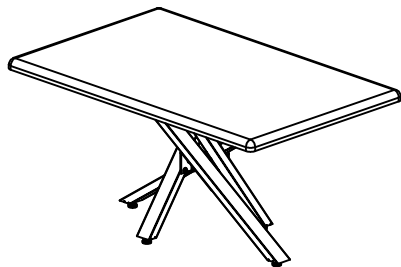
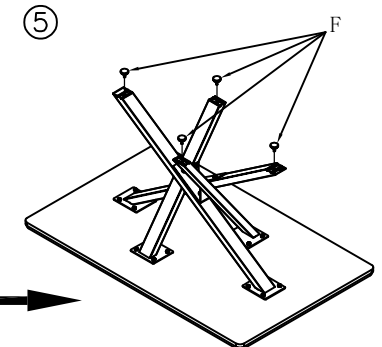
NOTE: Connect tube A and B.



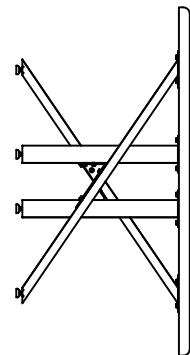
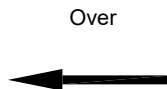
NOTE: Don't tighten all D screws currently.



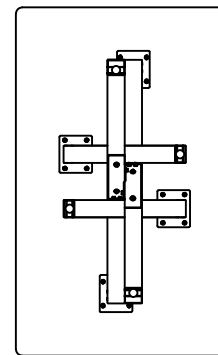
NOTE: Tighten all D screws after tightening G screws.



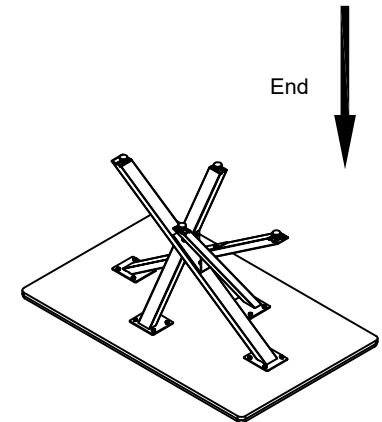
NOTE: Adjust the height of H according to the actual situation.



Projection Angle



Projection Angle



**Desktop (not included)**