



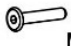


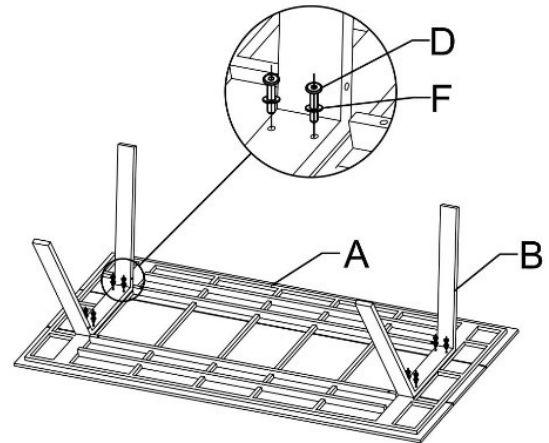


# ASSEMBLY INSTRUCTION

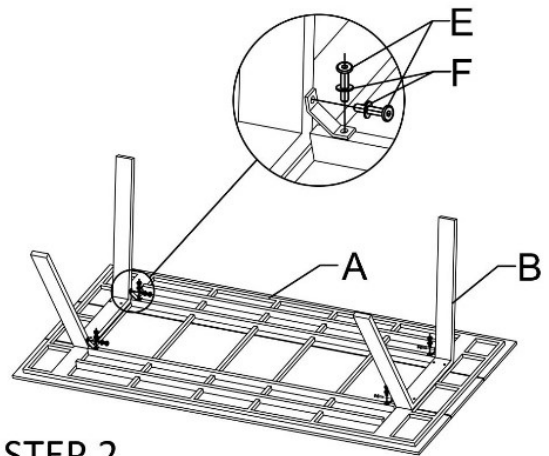
## DINING TABLE

SIZE:L220\*W100\*74CM

NUM	PARTS LIST	Q' TY	DESCRIPTION
A		1	Table Top
B		2	Table Feet
C		4	Connection
D	 M6*35	8	Screw
E	 M6*15	8	Screw
F		16	Spacer
G		1	Alley key



STEP 1



STEP 2

