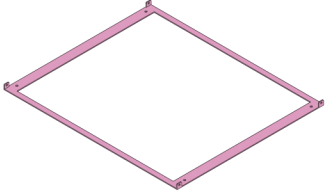
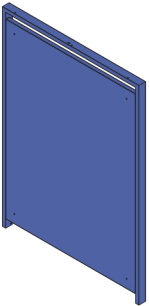
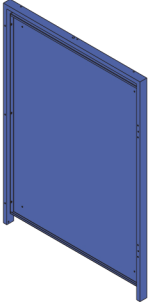
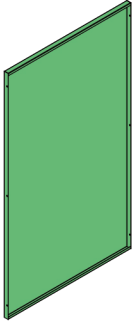
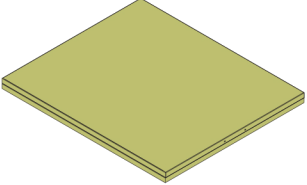

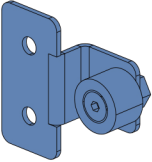
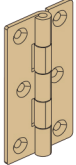
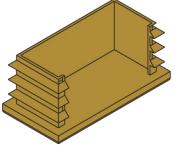
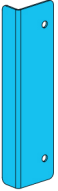
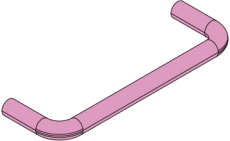
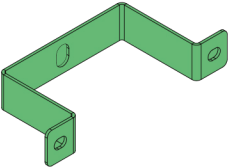

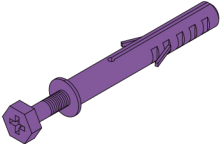
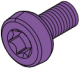
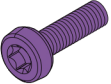
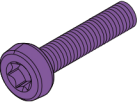
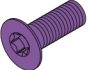
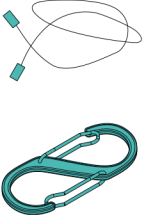


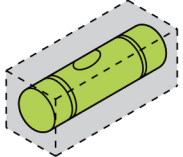
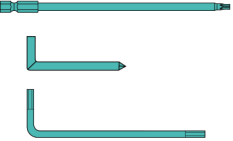
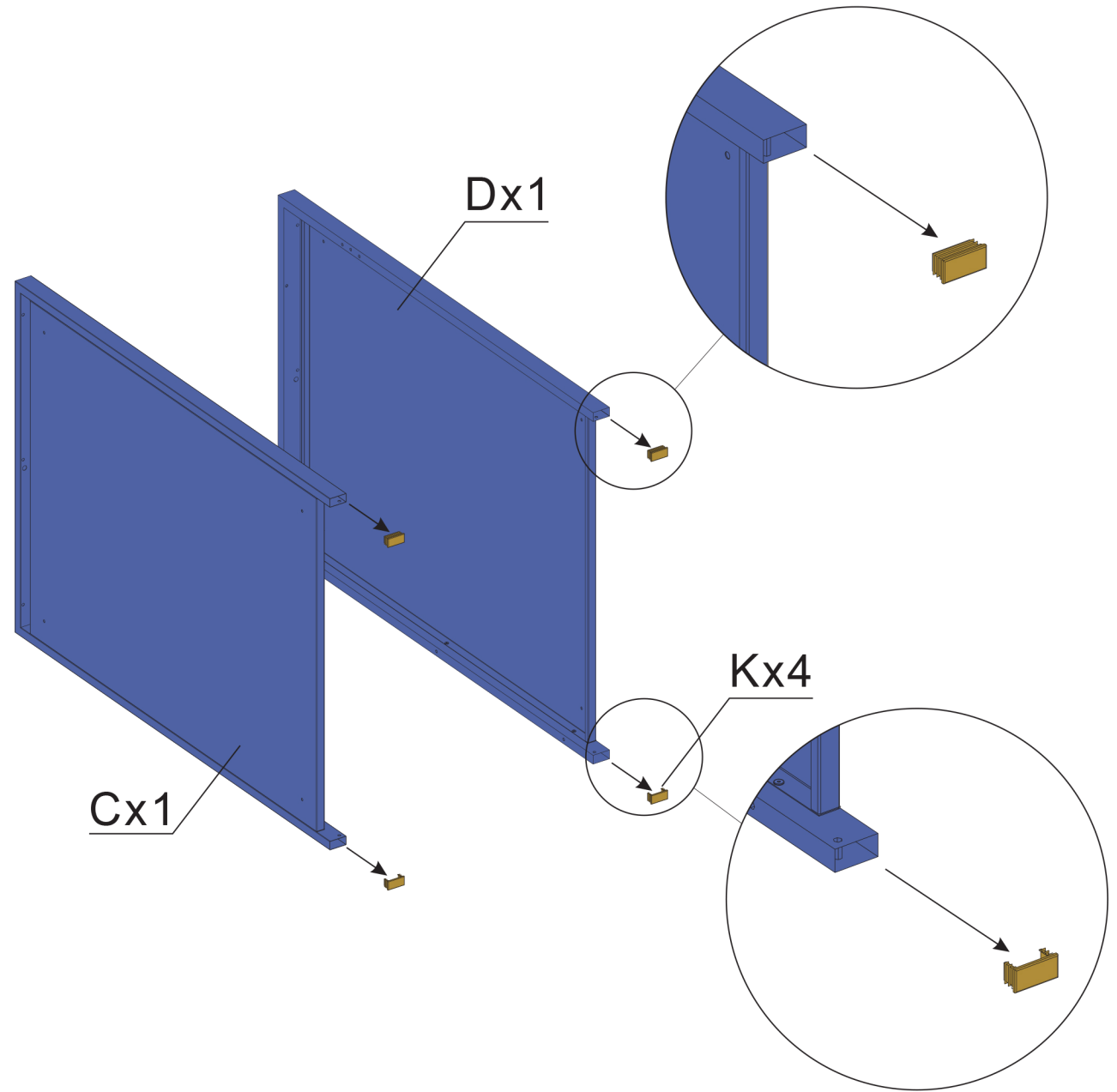
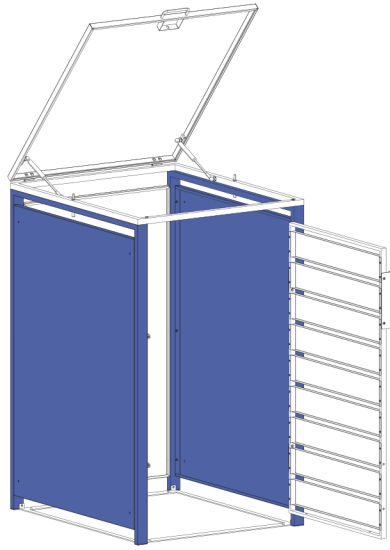


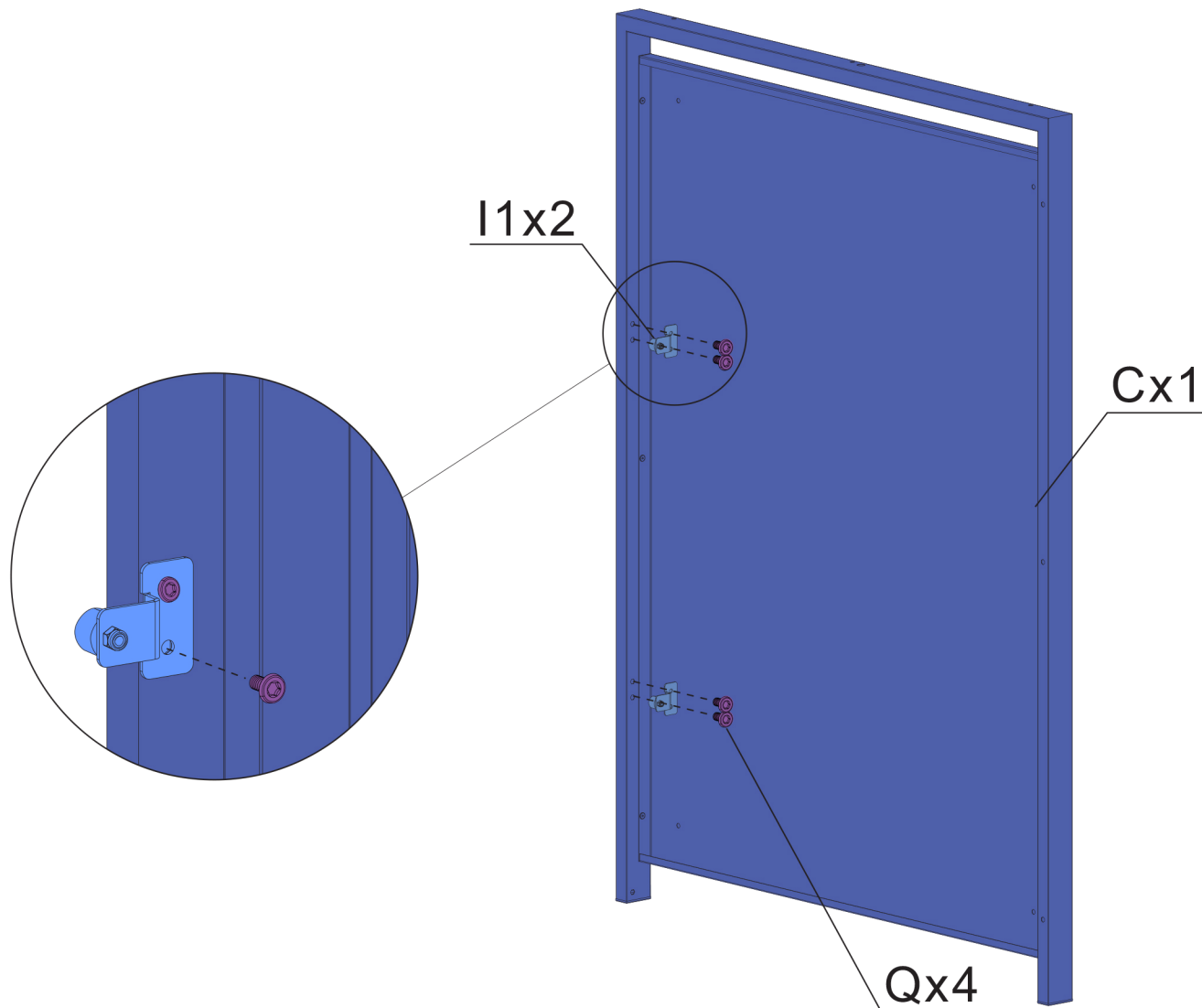
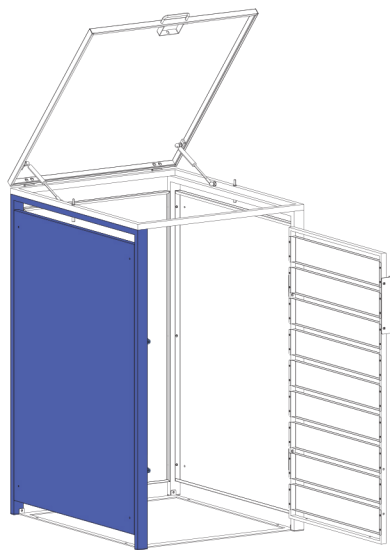
<p>A1x1</p> 	<p>Cx1</p> 	<p>Dx1</p> 	<p>Ex1</p> 			
<p>F1x1</p> 	<p>Hx1</p> 	<p>I1x2</p> 	<p>Jx2</p> 	<p>Kx4</p> 		
<p>Lx1</p> 	<p>Mx1</p> 	<p>Nx1</p> 	<p>Ox2</p> 	<p>Px4</p> 	<p>Qx12</p>  <p>M4x10mm</p>	<p>Rx6</p>  <p>M4x20mm</p>
<p>Sx6</p>  <p>M4x30mm</p>	<p>Tx16</p>  <p>M4x14mm</p>	<p>Ux1</p> 	<p>Vx4</p> 	<p>Wx4</p> 	<p>Xx1</p> 	<p>Yx1</p> 

Note: When using an additional Supplementary element, pls use part R, V, W.

# STEP 1

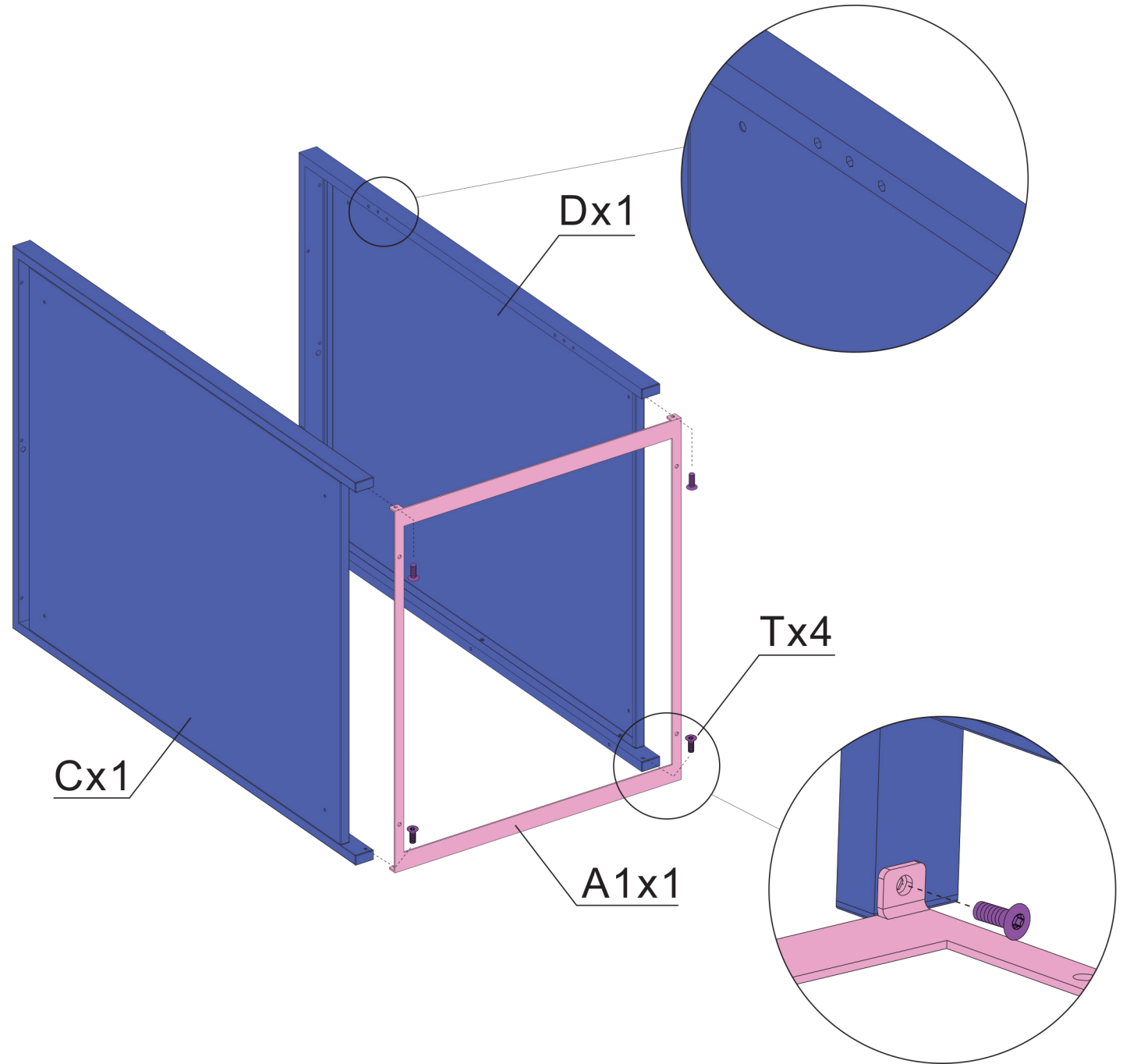
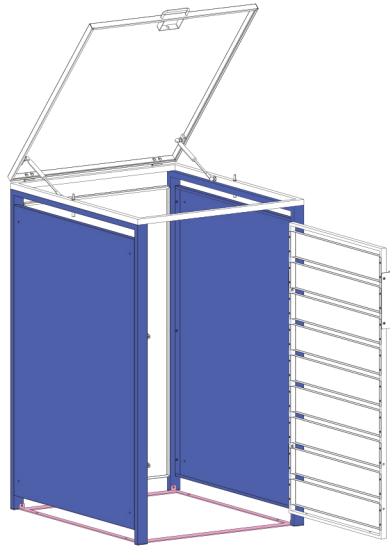


# STEP 2

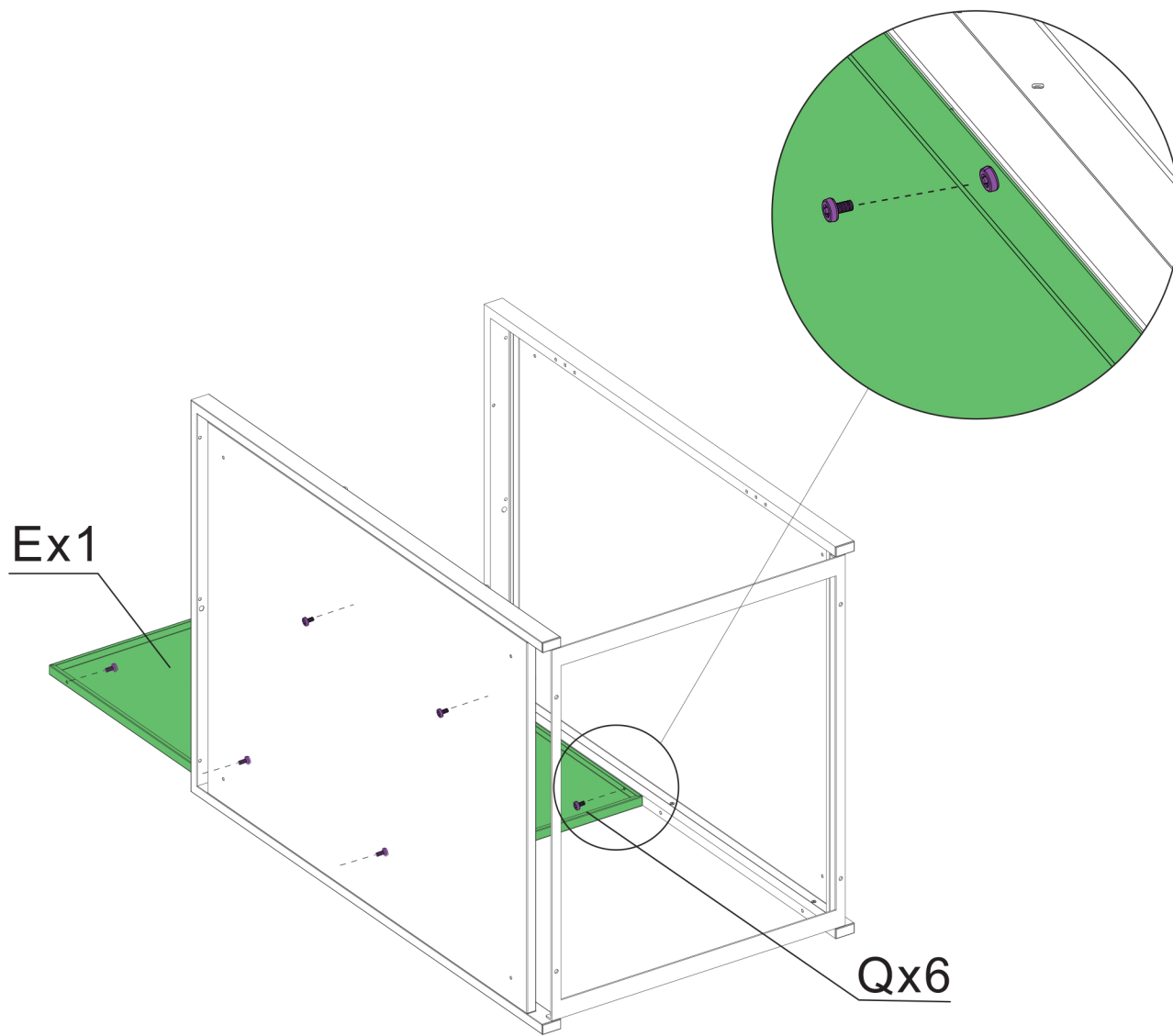
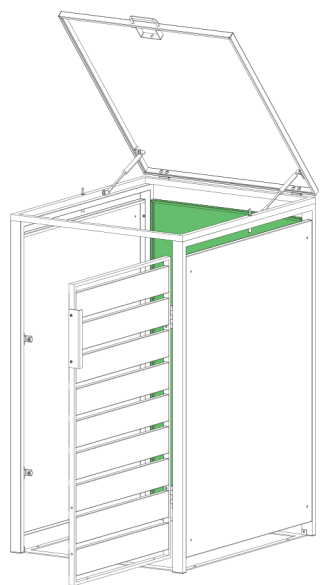
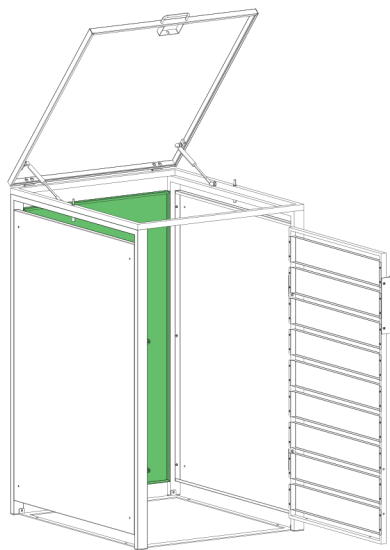




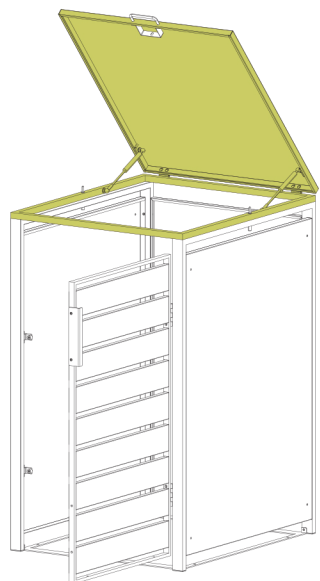
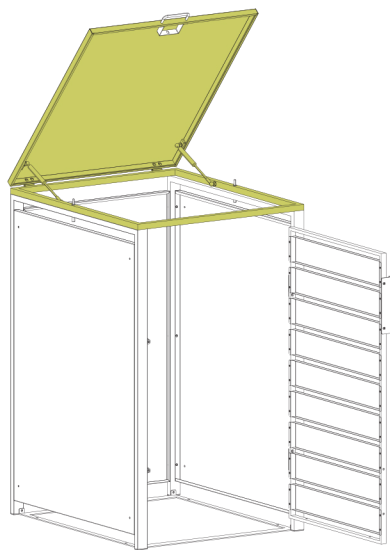
# STEP 3



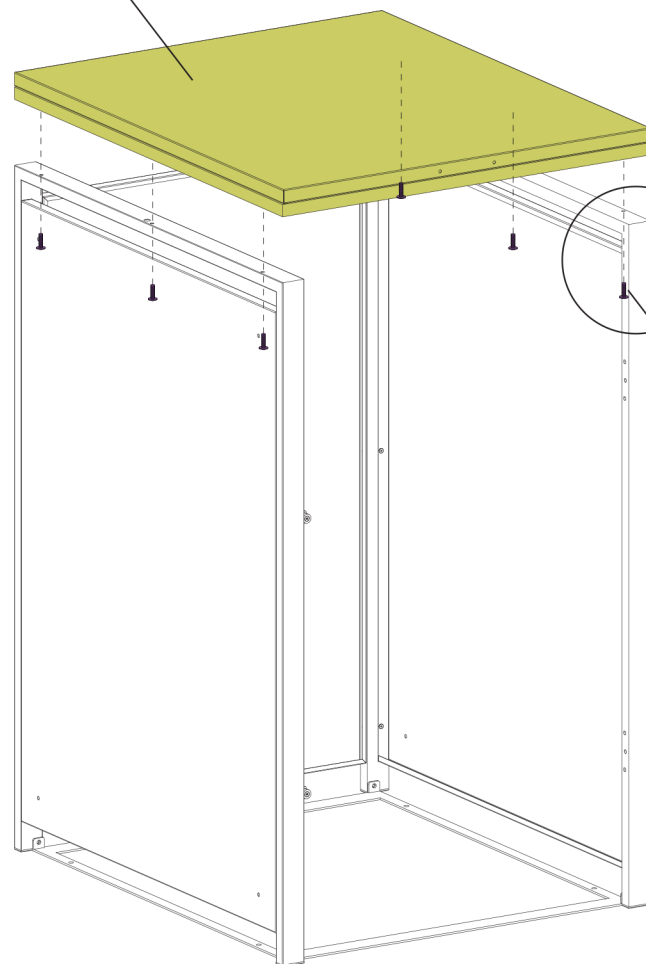
# STEP4



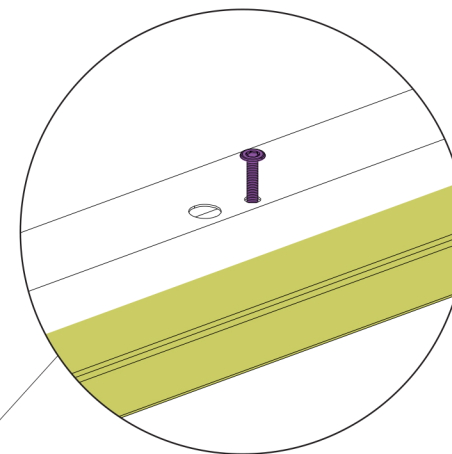
# STEP 5



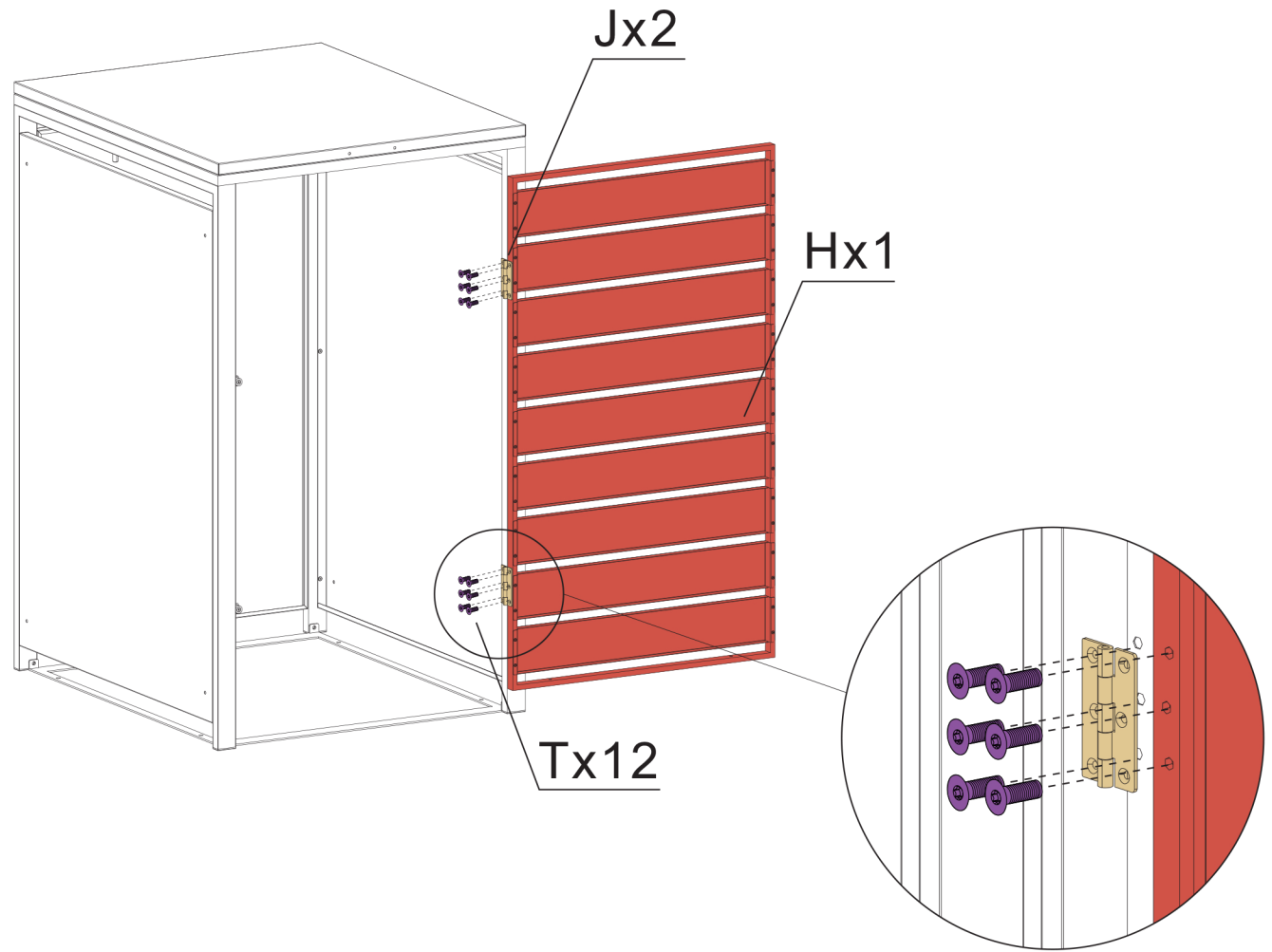
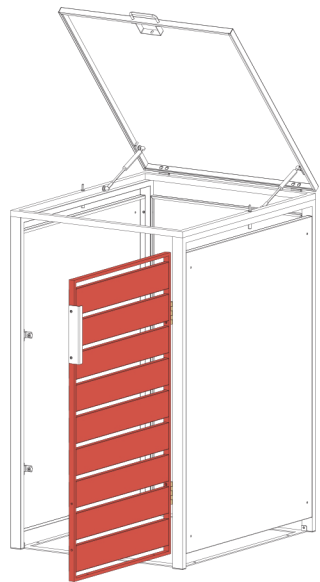
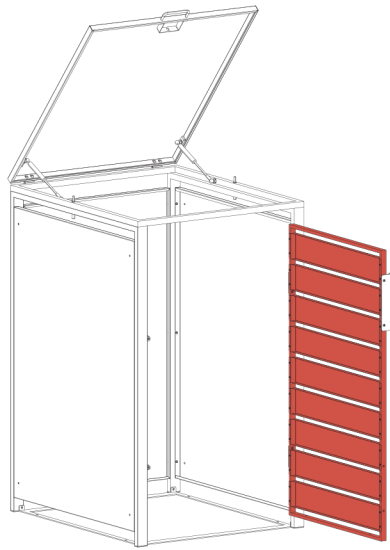
F1x1



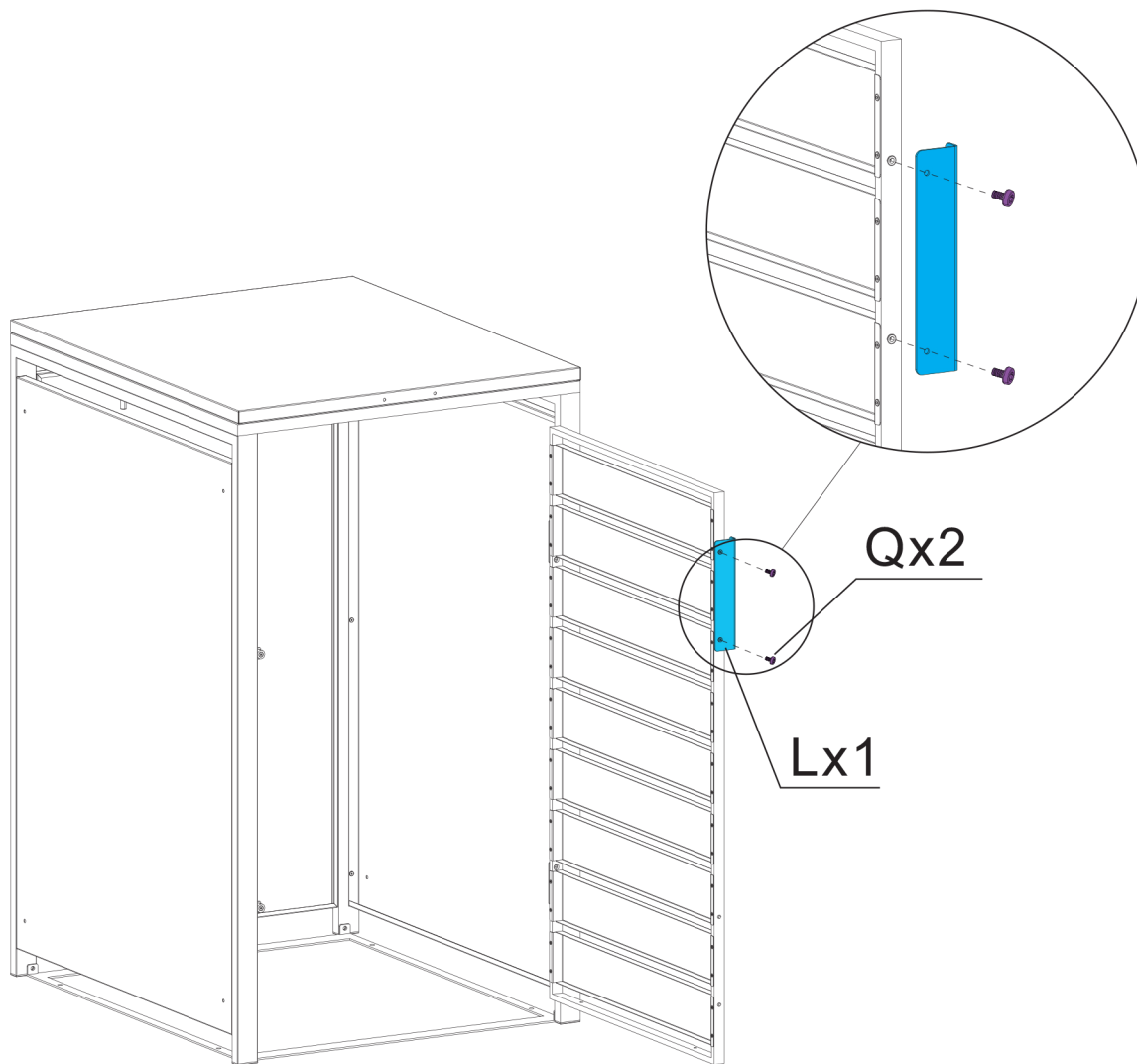
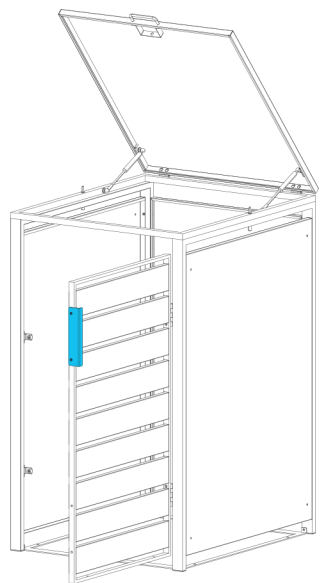
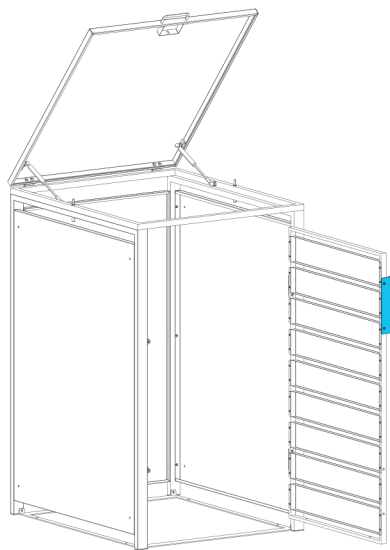
Sx6



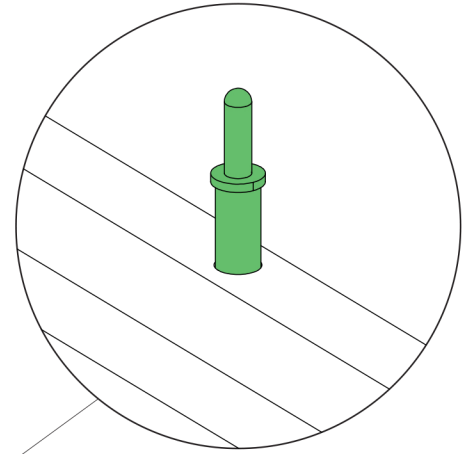
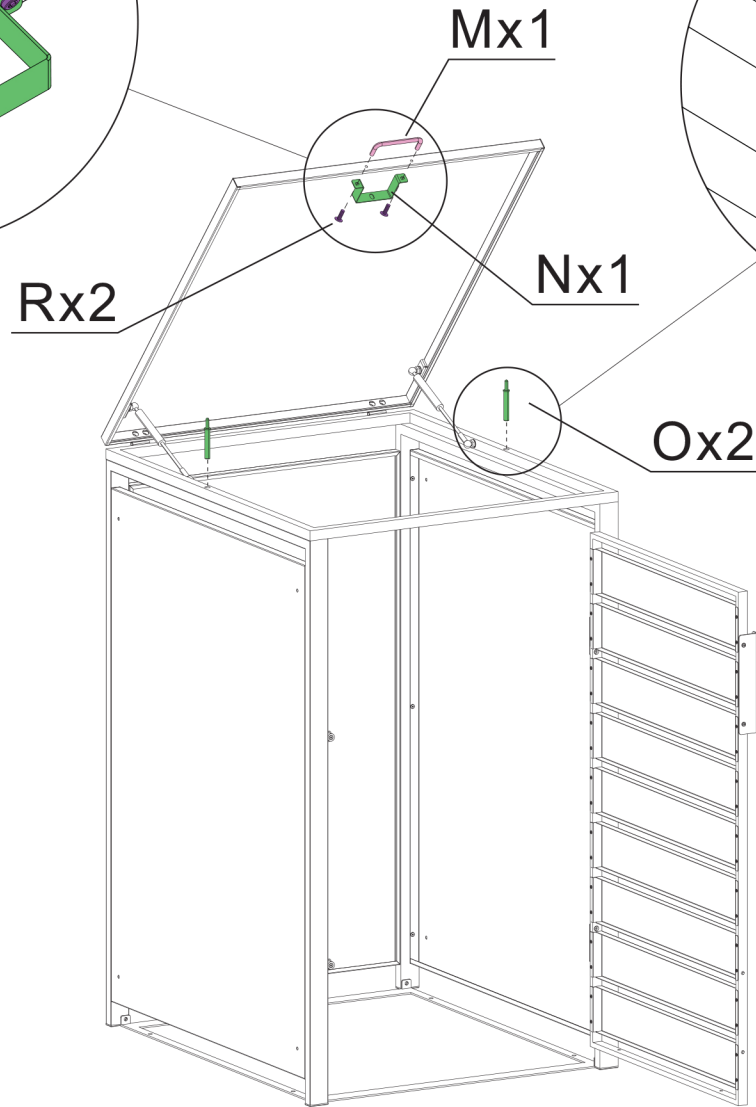
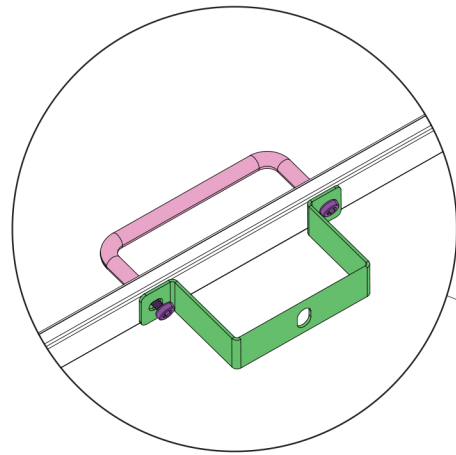
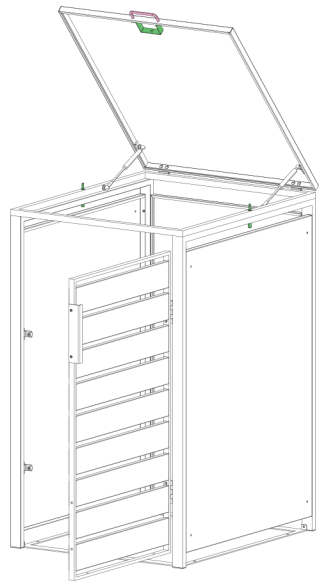
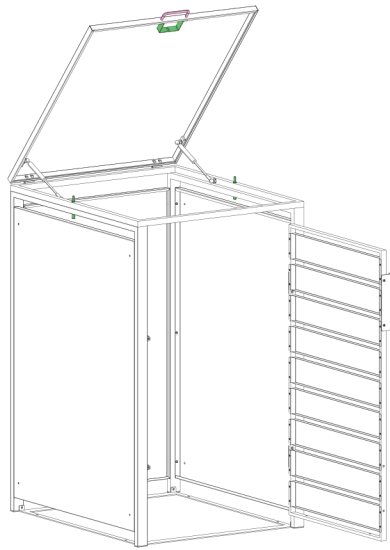
# STEP 6



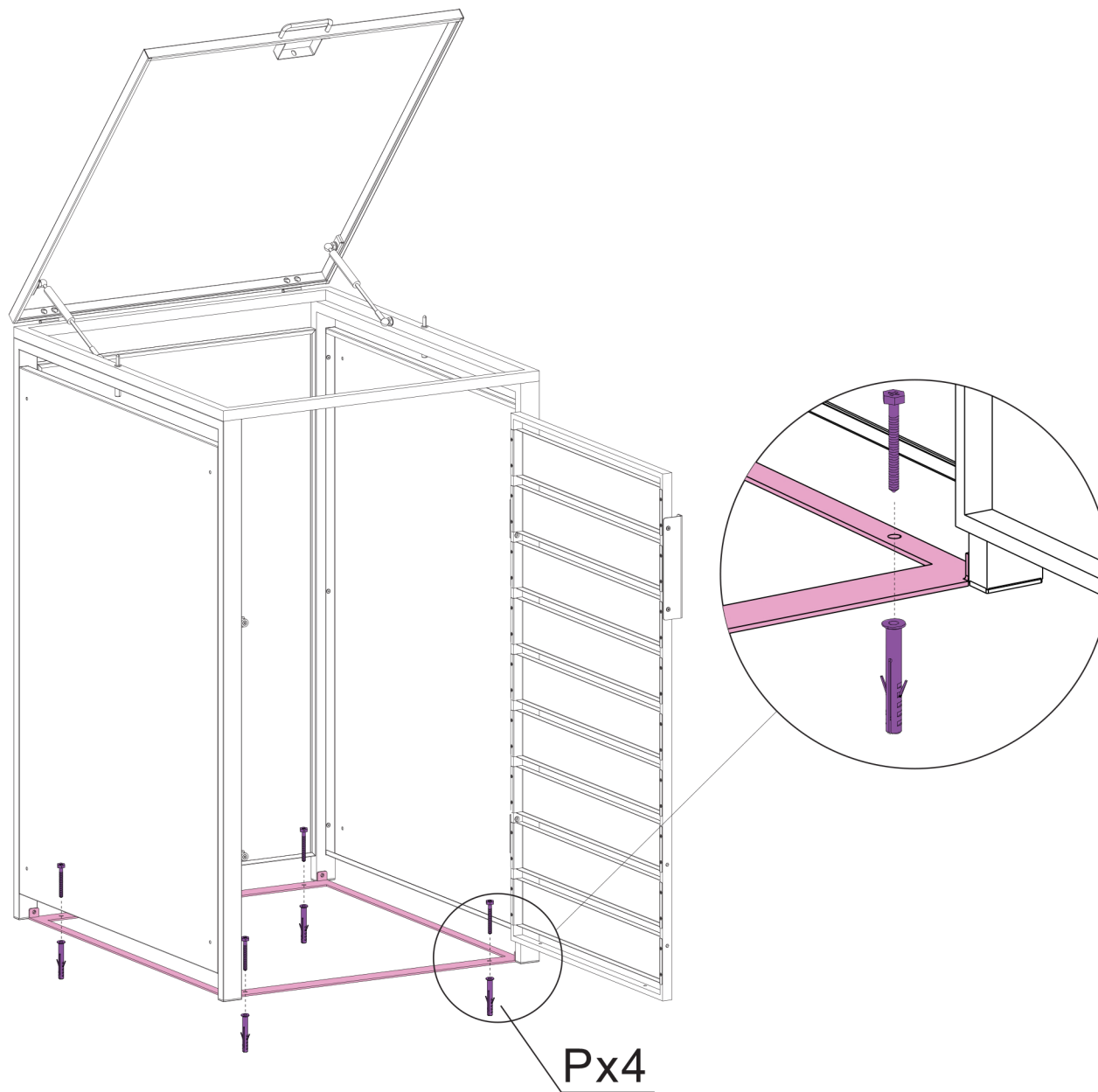
# STEP 7



# STEP 8



# STEP 9



# STEP 10

