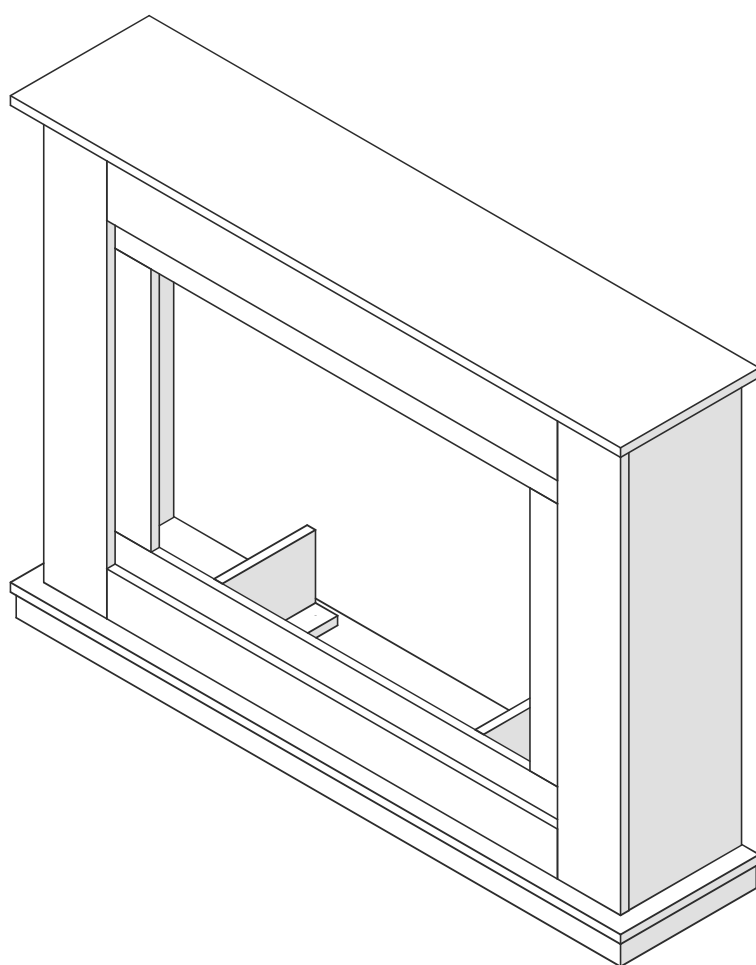


# FIREPLACE MANTEL

ASSEMBLY INSTRUCTIONS

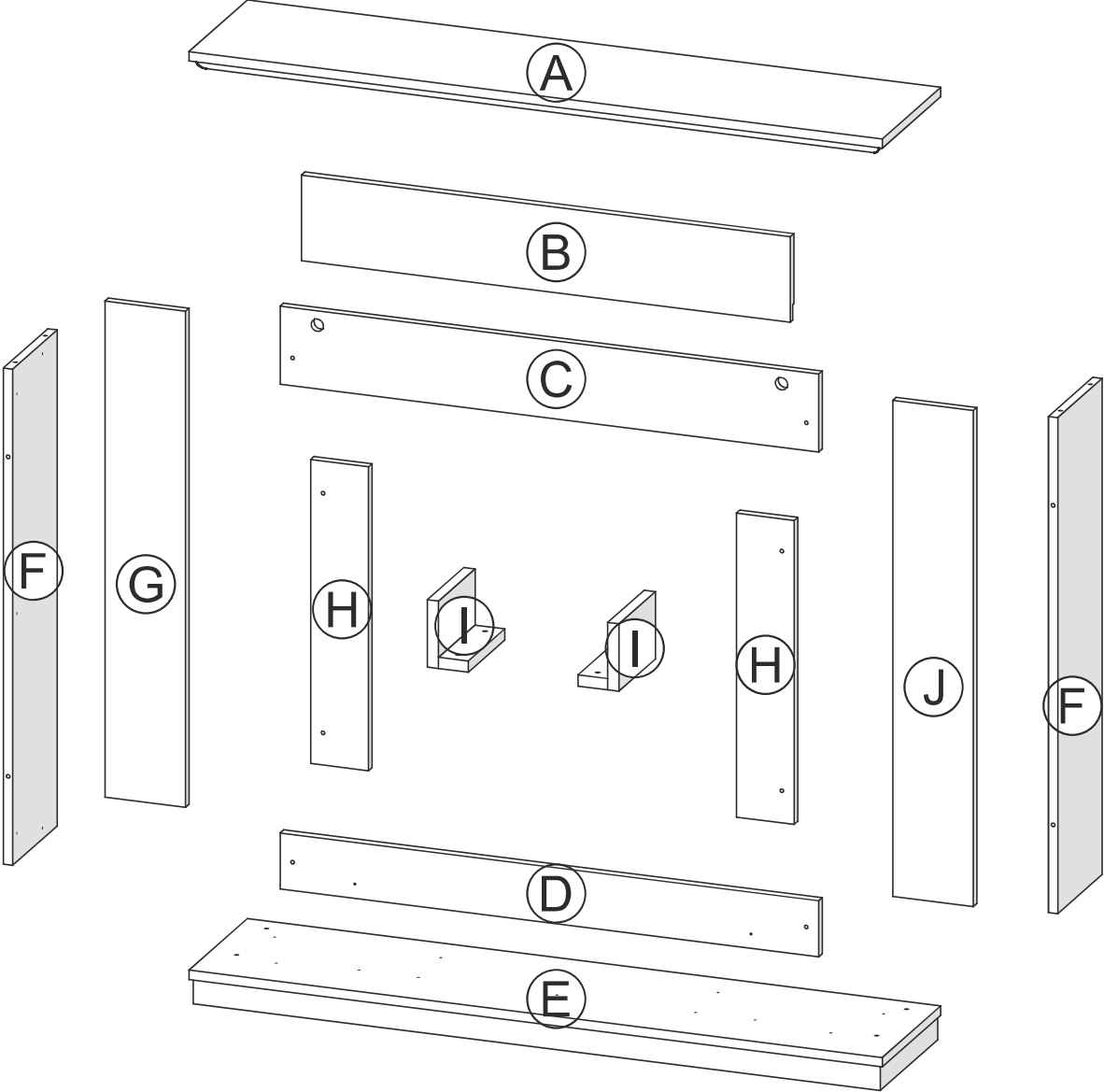
**MT375C**



If you have a problem with this product, DO NOT RETURN.



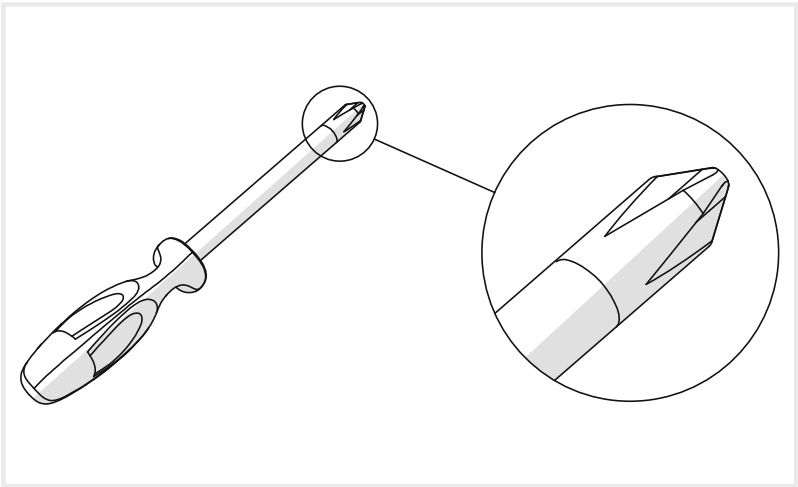
# PARTS LIST


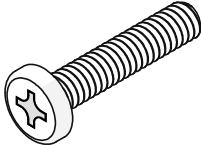
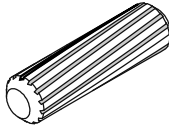
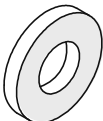
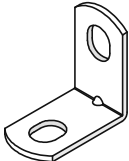
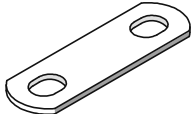



# PARTS AND ACCESSORIES

## Tools required:

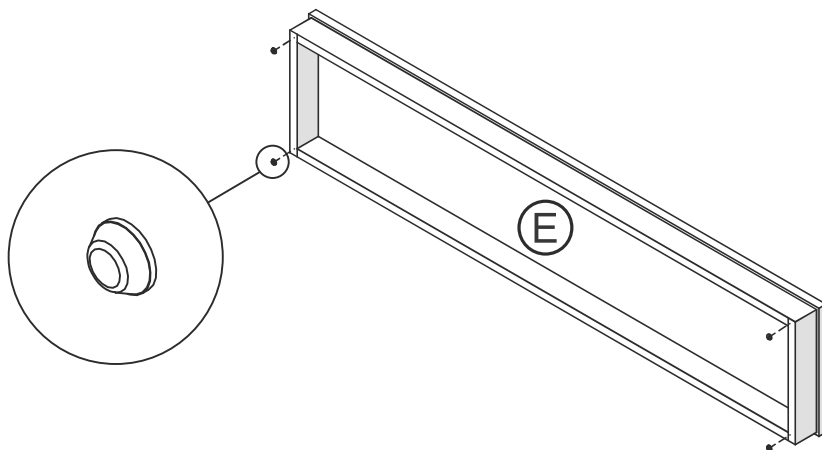
A screwdriver will be needed.



 <b>45 x</b> M6x12mm	 <b>13 x</b> M6x28mm	 <b>13 x</b> ø8x30mm
 <b>13 x</b>	 <b>21 x</b>	 <b>3 x</b>
 <b>6 x</b>		

# ASSEMBLY INSTRUCTIONS

## 01

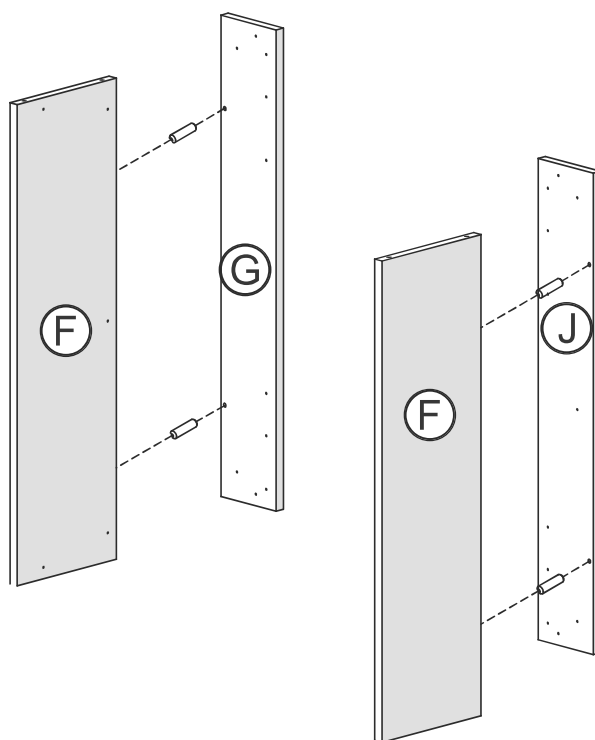


4x



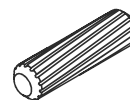
Carry out this assembly step on both sides

## 02



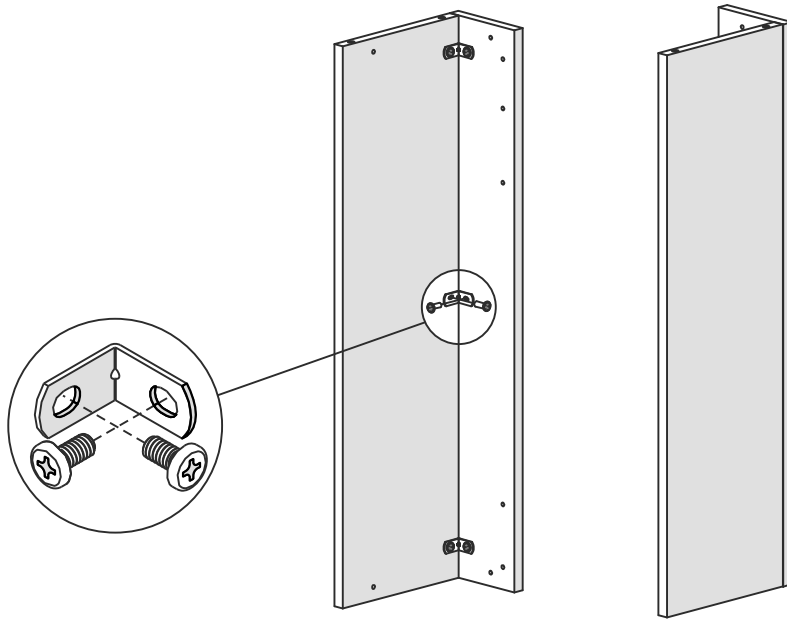
4x

ø 8x30mm



Carry out this assembly step on both sides

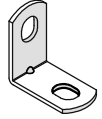
# 03



12x

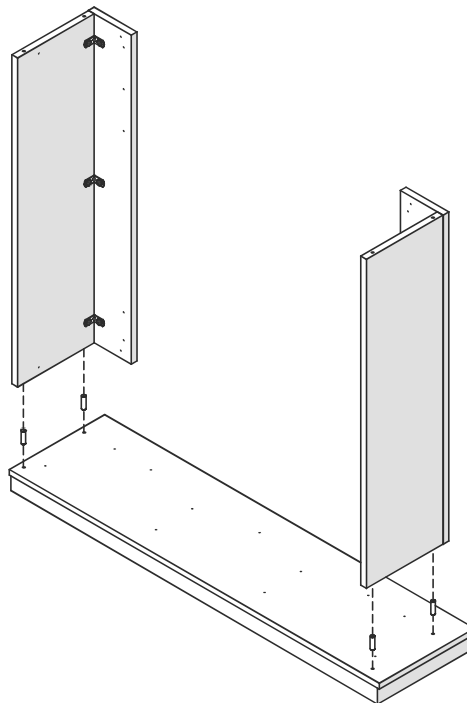
M6x12mm

6x



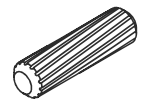
Carry out this assembly step on both sides

# 04



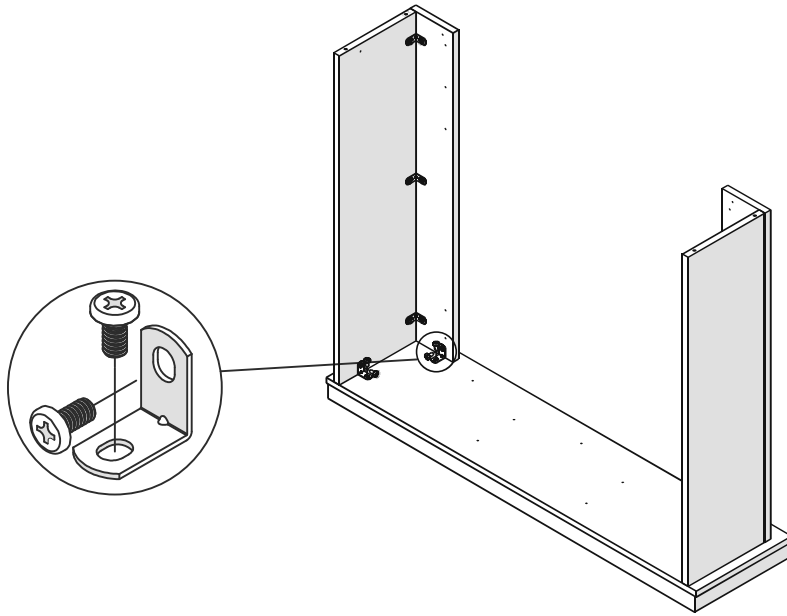
4x


∅ 8x30mm



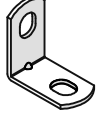
Carry out this assembly step on both sides

# 05



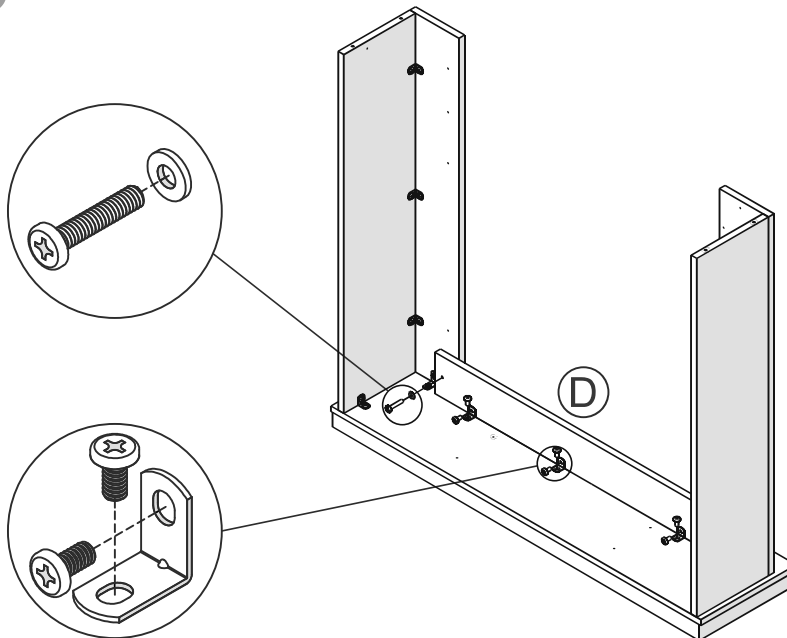
8x 


M6x12mm

4x 

Carry out this assembly step on both sides

# 06

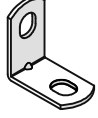


6x 

M6x12mm

2x 

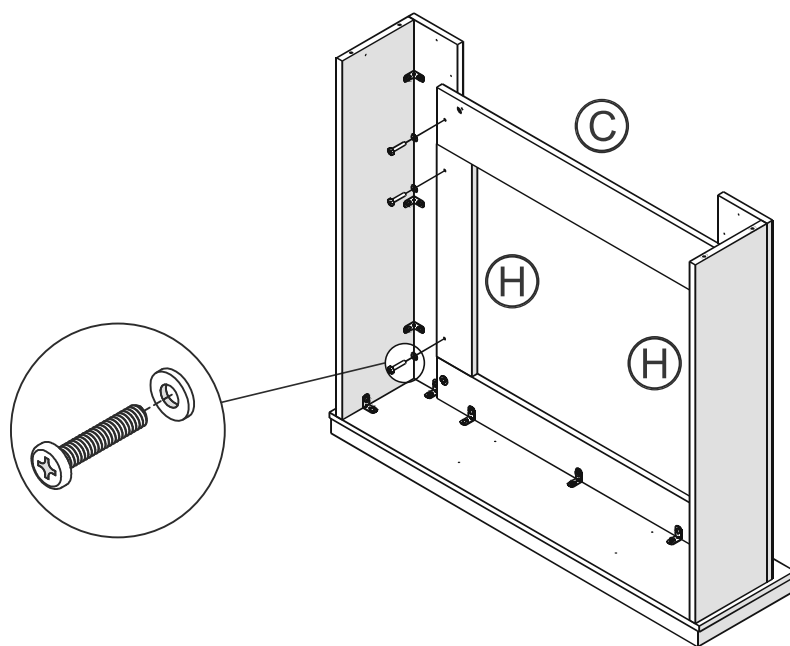
M6x28mm

3x 

2x 

Carry out this assembly step on both sides

# 07



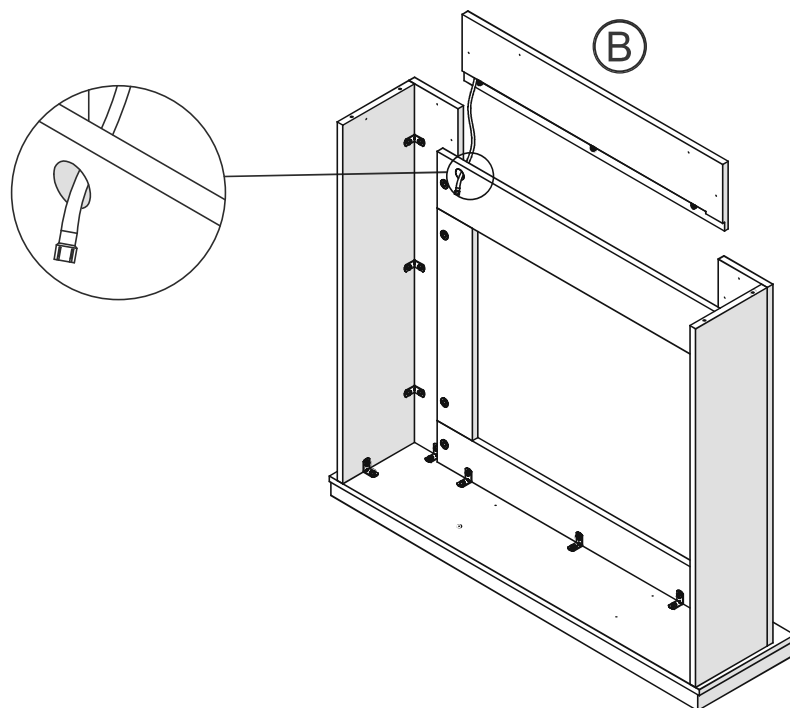
6x

M6x28mm

6x

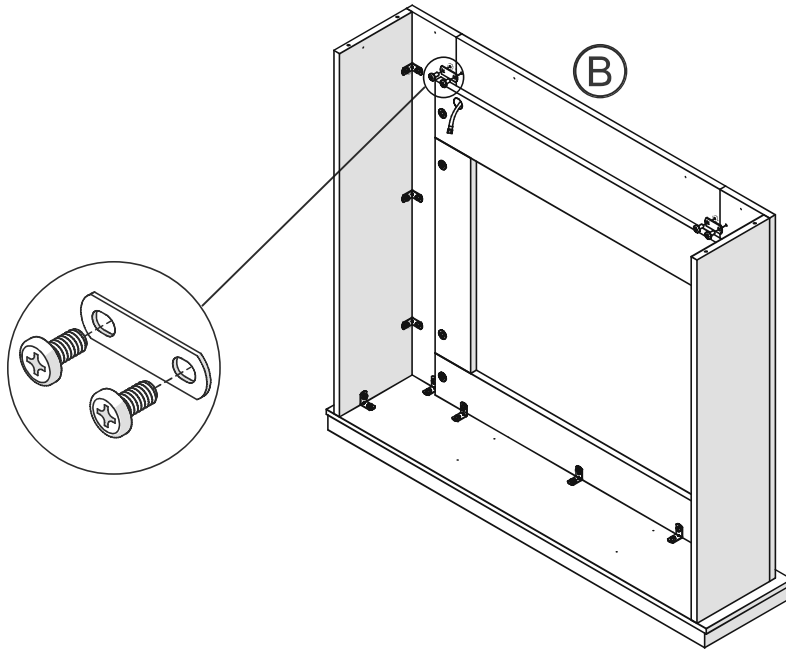
Carry out this assembly step on both sides

# 08





09

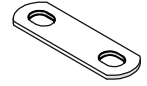


4x



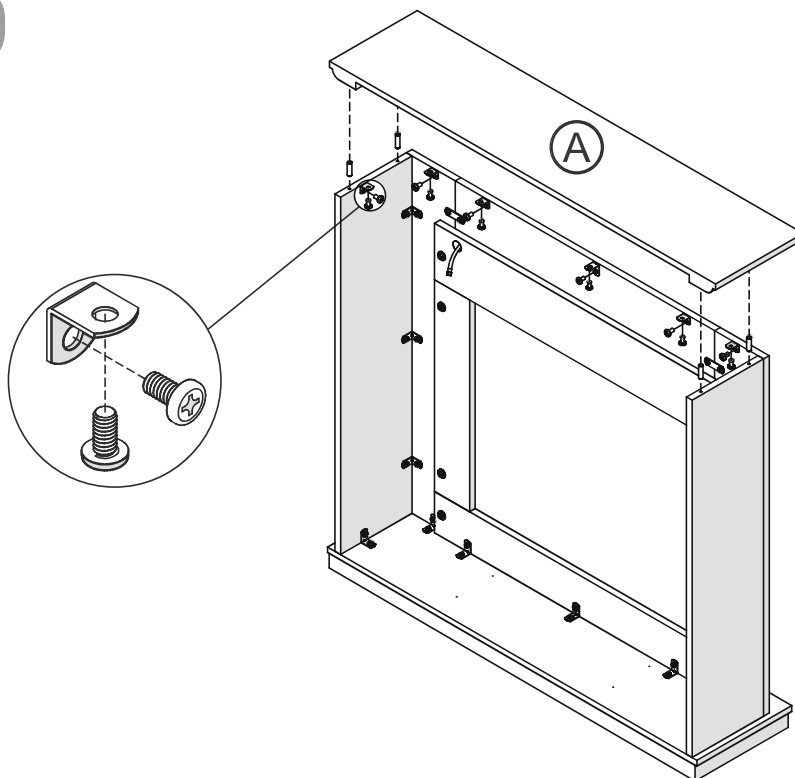
M6x12mm

2x



Carry out this assembly step on both sides

10

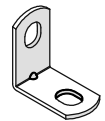


14x

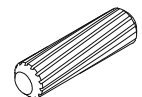


M6x12mm

7x



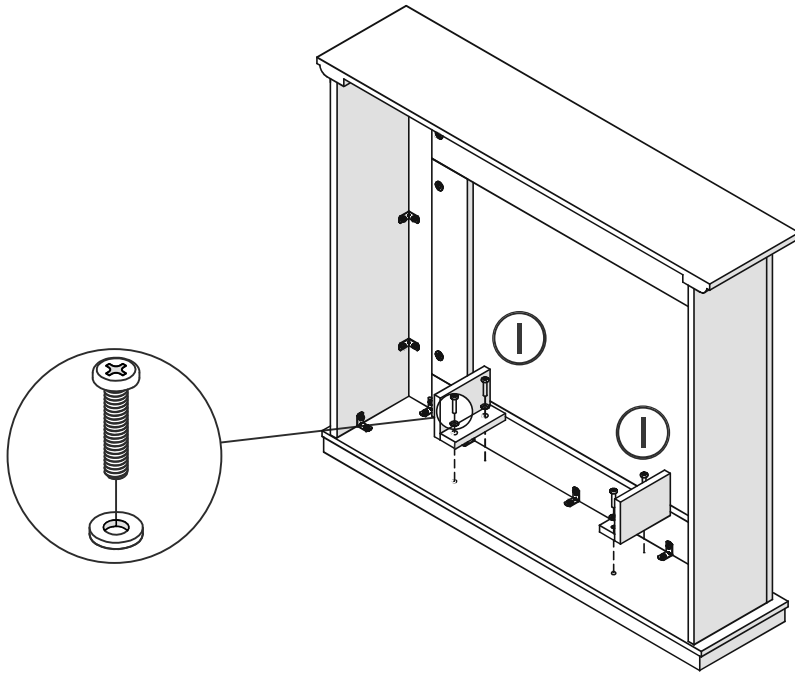
4x



∅ 8x30mm

Carry out this assembly step on both sides

# 11



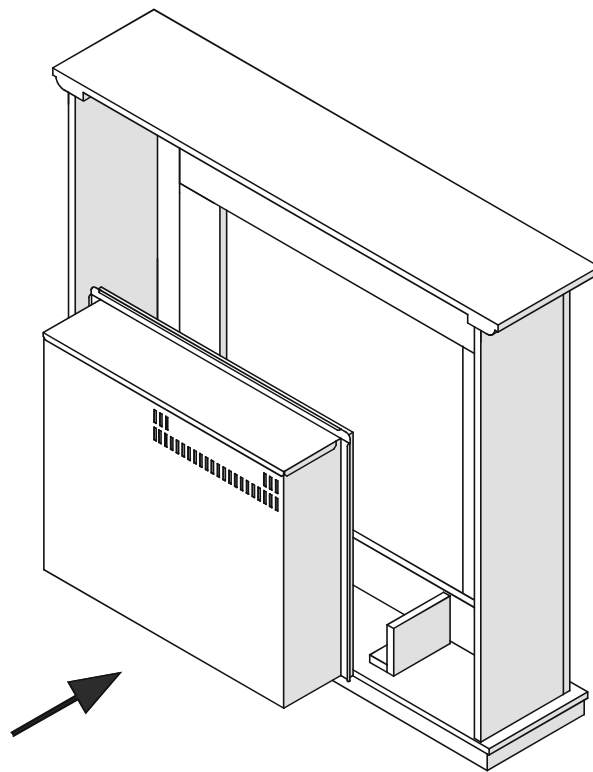
4x

M6x28mm

4x

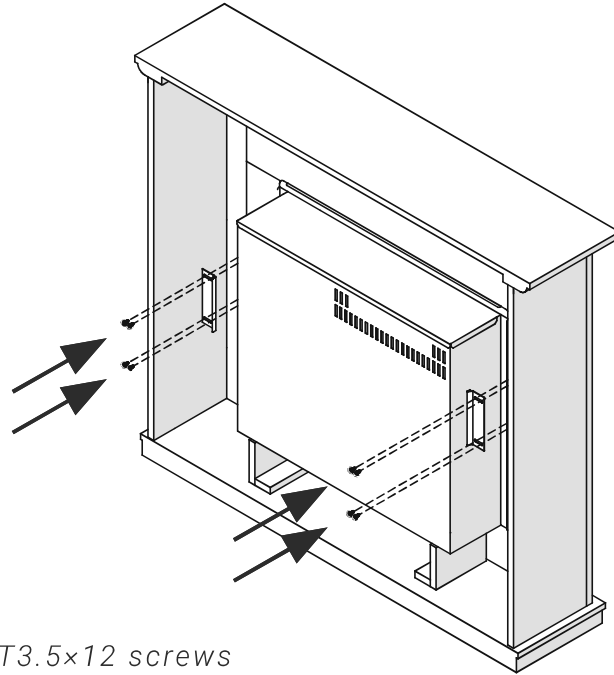
Carry out this assembly step on both sides

# 12



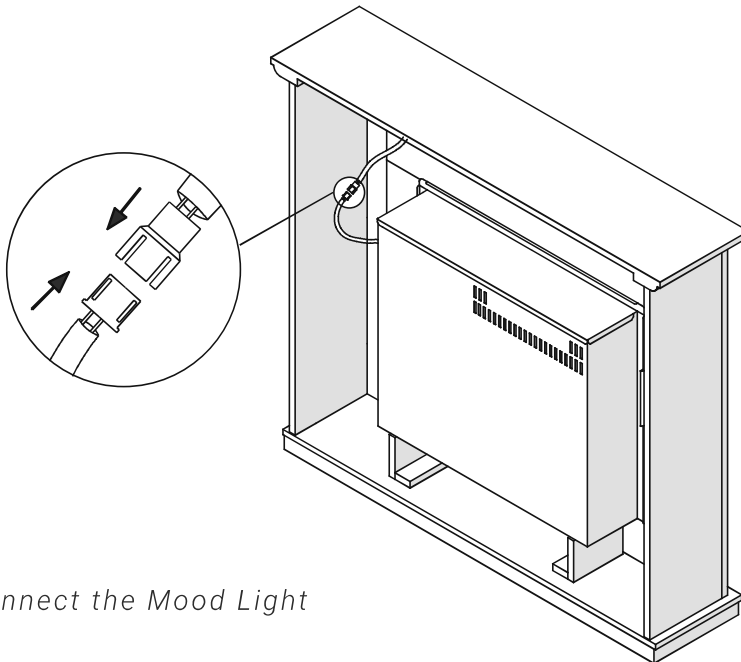
*Rear side of the mantel*

# 13



Use 8 pcs ST3.5x12 screws

# 14



Connect the Mood Light

**Distributor:**

**Tel:**

**Email:**