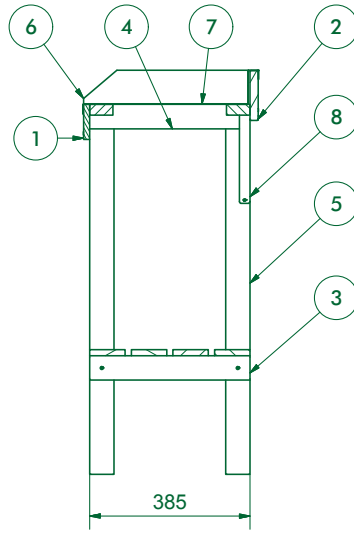
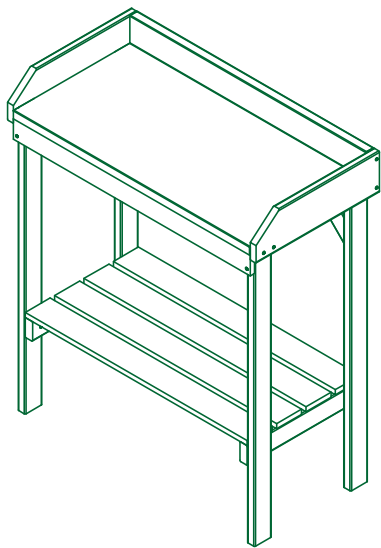
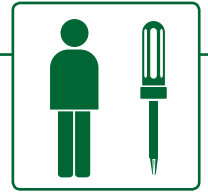
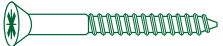
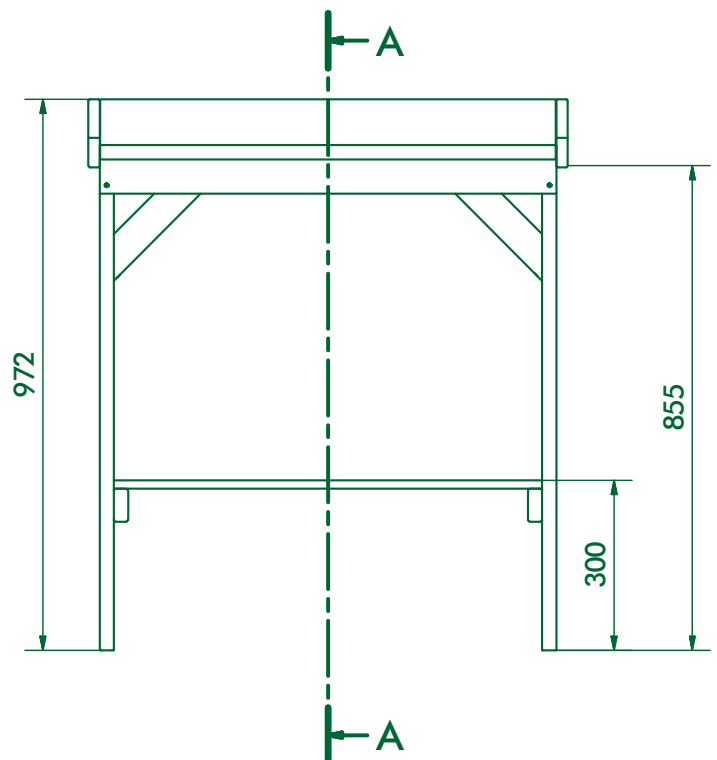
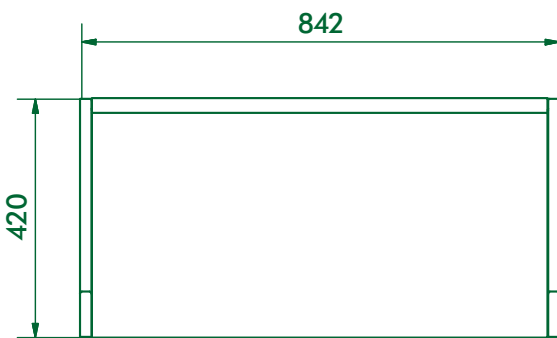


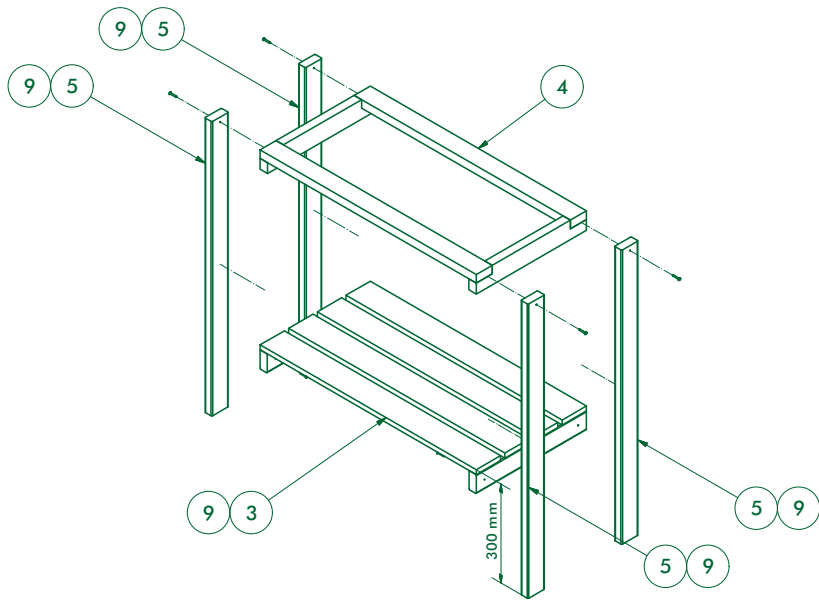
Art. 6020500
970 x 850 x 420 mm



SECTION A-A

Nr.	Qty.	Description
1	1	Front panel
2	1	Back panel
3	1	Plateau
4	1	Top frame
5	4	Back beam
6	2	Side panel
7	1	Top sheet
8	2	Support beam
9	28	Ø 4 x 50 mm 





Nr.	Qty.	Description
1	1	Front panel
2	1	Back panel
3	1	Plateau
4	1	Top frame
5	4	Back beam
6	2	Side panel
7	1	Top sheet
8	2	Support beam
9	28	Ø 4 x 50 mm 