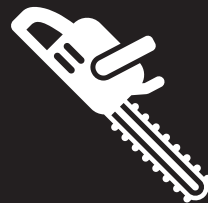




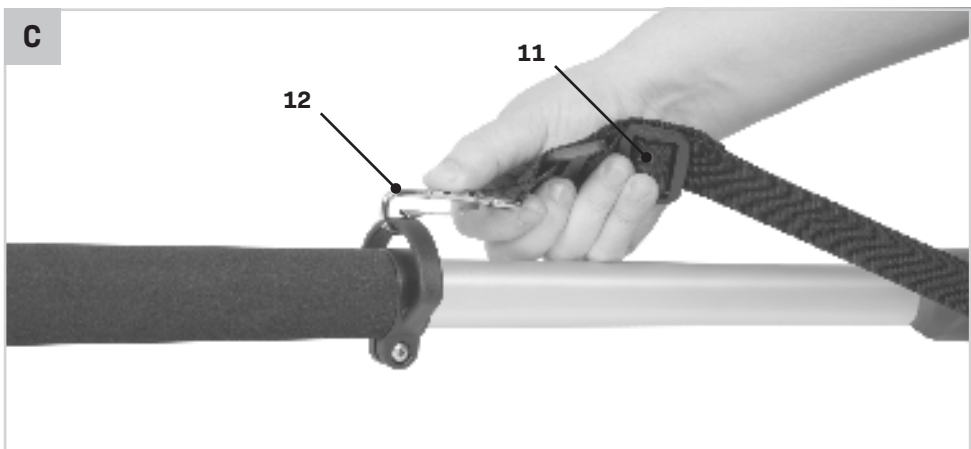
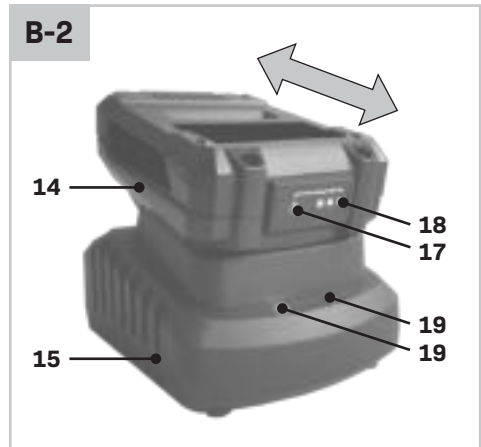
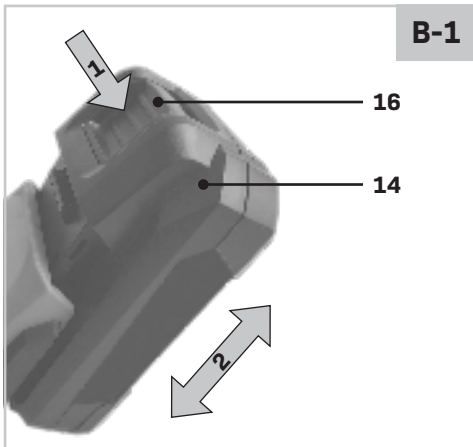
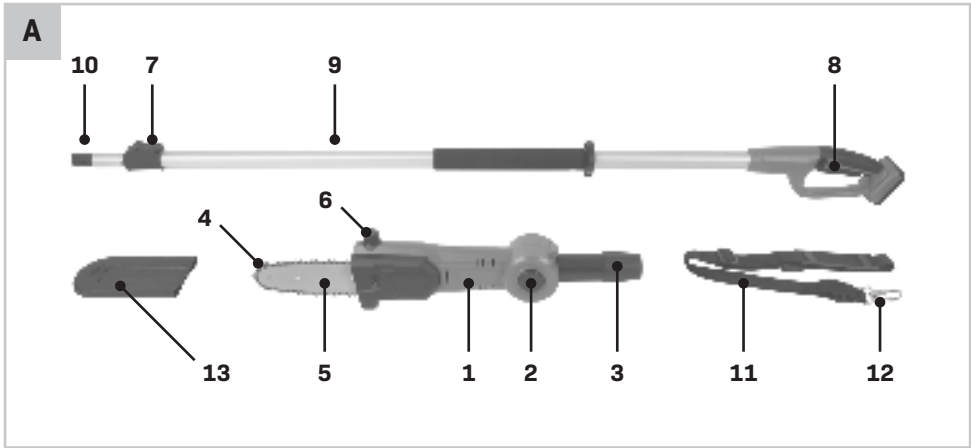
# VONROC®

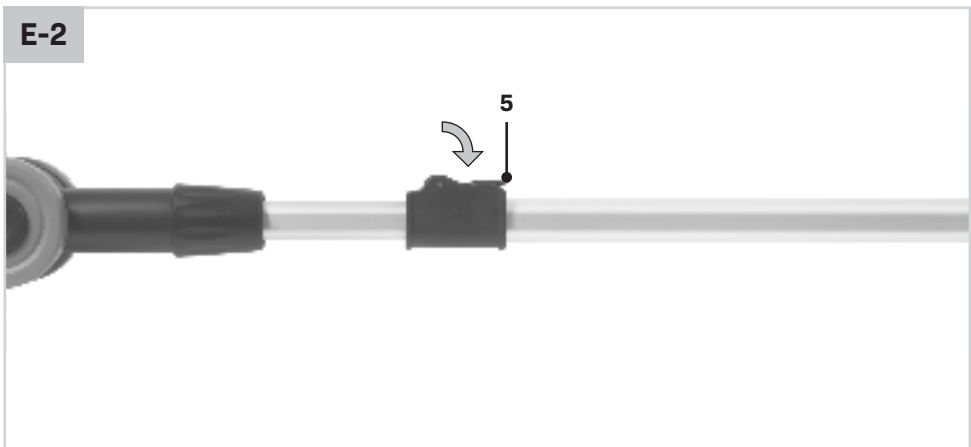
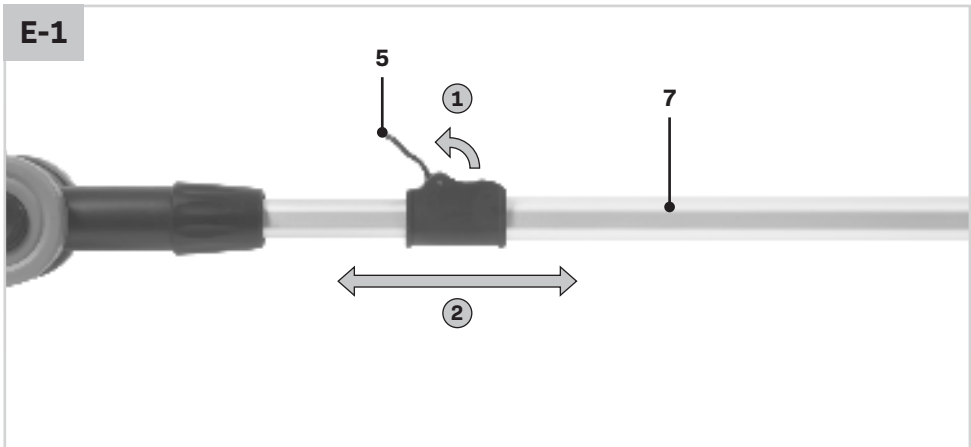
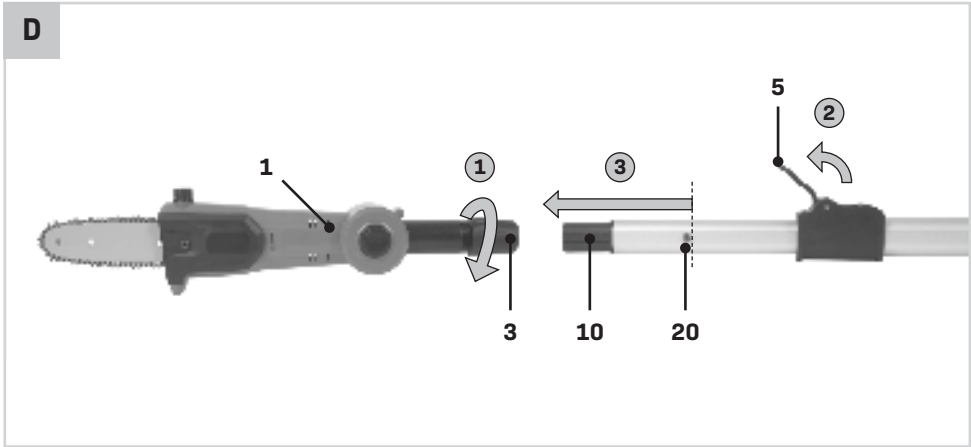
BUILD YOUR FUTURE

## TELESCOPIC CHAIN SAW CS504DC / S\_CS504DC S2\_CS504DC / S3\_CS504DC

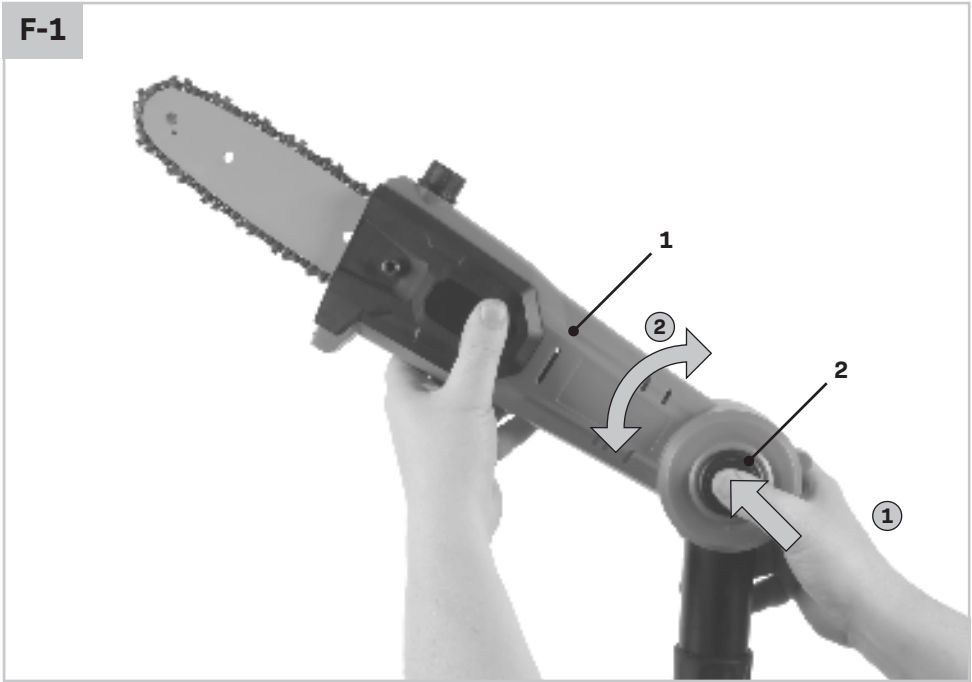


<b>EN</b> Original Instructions	6	<b>HU</b> Eredeti használati utasítás fordítása	123
<b>DE</b> Übersetzung Der Originalbetriebsanleitung	14	<b>CS</b> Překlad původního návodu k používání	132
<b>NL</b> Vertaling van de oorspronkelijke gebruiksaanwijzing	23	<b>TR</b> Orijinal talimatların çevirisi	141
<b>FR</b> Traduction de la notice originale	34		
<b>ES</b> Traducción del manual original	43		
<b>IT</b> Traduzione delle istruzioni originali	53		
<b>SV</b> Översättning av bruksanvisning i original	62		
<b>FI</b> Alkuperäisten ohjeiden käännös	71		
<b>NO</b> Oversatt fra original veiledning	79		
<b>DA</b> Oversættelse af den originale brugsanvisning	87		
<b>PL</b> Tłumaczenie instrukcji oryginalnej	96		
<b>RO</b> Traducere a instrucțiunilor originale	105		
<b>PT</b> Tradução do manual original	114		





F-1



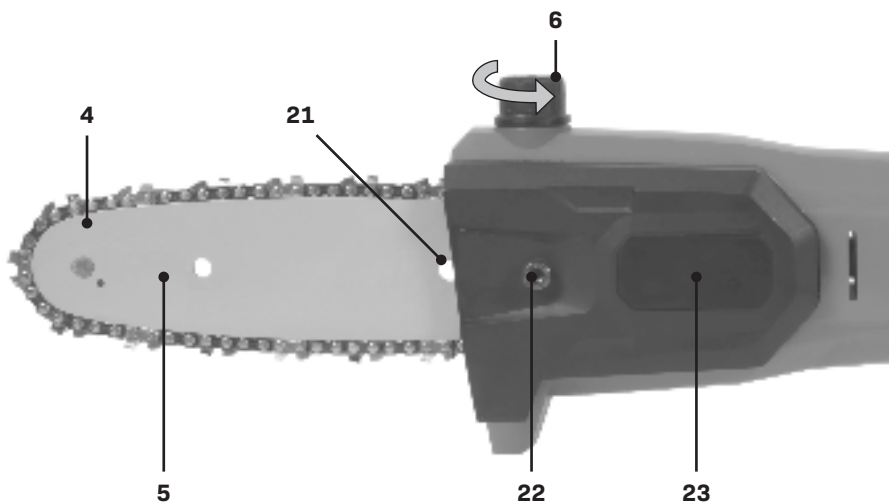
F-2



G



H



## 1. SAFETY INSTRUCTIONS

Read the enclosed safety warnings, the additional safety warnings and the instructions. Failure to follow the safety warnings and the instructions may result in electric shock, fire and/or serious injury. Save the safety warnings and the instructions for future reference.

The following symbols are used in the user manual or on the product:



*Read the user manual.*



*Denotes risk of personal injury, loss of life or damage to the tool in case of non-observance of the instructions in this manual.*



*Risk of electric shock.*



Max 45°C

*Max temperature 45°C.*



*Do not throw the battery into fire.*



*Do not throw the battery into water.*



*Wear head protection.*



*Wear safety goggles.*



*Do not expose to rain.*



*Keep hands away from blade.*



*Beware of thrown objects. Keep bystanders away.*



*Keep product away from high-voltage lines! Minimum distance 10 meters.*



*Class II appliance. Double insulation, you don't need any earthed plug.*



T3,15A

*Time-lag miniature fuse-link.*



Li-ion

*Separate collection for Li-ion battery.*



*Do not dispose of the product in unsuitable containers.*



*The product is in accordance with the applicable safety standards in the European directives.*

### GENERAL POWER TOOL SAFETY WARNINGS



**WARNING! Read all safety warnings and all instructions.** Failure to follow the warnings and instructions may result in electric shock, fire and/or serious injury.

#### Save all warnings and instructions for future reference.

The term "power tool" in the warnings refers to your mains-operated (corded) power tool or battery-operated (cordless) power tool.

#### 1) Work area safety

- a) **Keep the work area clean and well lit.** Cluttered or dark areas invite accidents.
- b) **Do not operate power tools in explosive atmospheres, such as in the presence of flammable liquids, gases or dust.** Power tools create sparks which may ignite the dust or fumes.
- c) **Keep children and bystanders away while operating a power tool.** Distractions can cause you to lose control.

#### 2) Electrical safety

- a) **Power tool plugs must match the outlet. Never modify the plug in any way. Do not use any adapter plugs with earthed (grounded) power tools.** Unmodified plugs and matching outlets will reduce risk of electric shock.
- b) **Avoid body contact with earthed or grounded surfaces, such as pipes, radiators, ranges and refrigerators.** There is an increased risk of electric shock if your body is earthed or grounded.
- c) **Do not expose power tools to rain or wet conditions.** Water entering a power tool will increase the risk of electric shock.
- d) **Do not abuse the cord. Never use the cord for carrying, pulling or unplugging the power tool. Keep cord away from heat, oil, sharp edges or moving parts.** Damaged or entangled cords increase the risk of electric shock.
- e) **When operating a power tool outdoors, use an extension cord suitable for outdoor use.** Use of a cord suitable for outdoor use reduces the risk of electric shock.
- f) **If operating a power tool in a damp location is unavoidable, use a residual current device**

**(RCD) protected supply.** Use of an RCD reduces the risk of electric shock.

### 3) Personal safety

- a) **Stay alert, watch what you are doing and use common sense when operating a power tool. Do not use a power tool while you are tired or under the influence of drugs, alcohol or medication.** A moment of inattention while operating power tools may result in serious personal injury.
  - b) **Use personal protective equipment. Always wear eye protection.** Protective equipment such as dust mask, non-skid safety shoes, hard hat, or hearing protection used for appropriate conditions will reduce personal injuries.
  - c) **Prevent unintentional starting. Ensure the switch is in the off-position before connecting to power source and/or battery pack, picking up or carrying the tool.** Carrying power tools with your finger on the switch or energizing power tools that have the switch on invites accidents.
  - d) **Remove any adjusting key or wrench before turning the power tool on.** A wrench or a key left attached to a rotating part of the power tool may result in personal injury.
  - e) **Do not overreach. Keep proper footing and balance at all times.** This enables better control of the power tool in unexpected situations.
  - f) **Dress properly. Do not wear loose clothing or jewelry. Keep your hair, clothing and gloves away from moving parts.** Loose clothes, jewelry or long hair can be caught in moving parts.
  - g) **If devices are provided for the connection of dust extraction and collection facilities, ensure these are connected and properly used.** Use of dust collection can reduce dust related hazards.
  - h) **Do not let familiarity gained from frequent use of tools allow you to become complacent and ignore tool safety principles.** A careless action can cause severe injury within a fraction of a second.
- 4) Power tool use and care**
- a) **Do not force the power tool. Use the correct power tool for your application.** The correct power tool will do the job better and safer at the rate for which it was designed.
  - b) **Do not use the power tool if the switch does not turn it on and off.** Any power tool that cannot be controlled with the switch is dangerous and must be repaired.
  - c) **Disconnect the plug from the power source and/or the battery pack from the power tool before making any adjustments, changing accessories, or storing power tools.** Such preventive safety measures reduce the risk of starting the power tool accidentally.
  - d) **Store idle power tools out of the reach of children and do not allow persons unfamiliar with the power tool or these instructions to operate the power tool.** Power tools are dangerous in the hands of untrained users.
  - e) **Maintain power tools. Check for misalignment or binding of moving parts, breakage of parts and any other condition that may affect the power tool's operation. If damaged, have the power tool repaired before use.** Many accidents are caused by poorly maintained power tools.
  - f) **Keep cutting tools sharp and clean.** Properly maintained cutting tools with sharp cutting edges are less likely to bind and are easier to control.
  - g) **Use the power tool, accessories and tool bits etc. in accordance with these instructions, taking into account the working conditions and the work to be performed.** Use of the power tool for operations different from those intended could result in a hazardous situation.
  - h) **Keep handles and grasping surfaces dry, clean and free from oil and grease.** Slippery handles and grasping surfaces do not allow for safe handling and control of the tool in unexpected situations.
- 5) Battery tool use and care**
- a) **Recharge only with the charger specified by the manufacturer.** A charger that is suitable for one type of battery pack may create a risk of fire when used with another battery pack.
  - b) **Use power tools only with specifically designated battery packs.** Use of any other battery packs may create a risk of injury and fire.
  - c) **When battery pack is not in use, keep it away from other metal objects, like paper clips, coins, keys, nails, screws or other small metal objects that can make a connection from one terminal to another.** Shorting the battery terminals together may cause burns or a fire.
  - d) **Under abusive conditions, liquid may be ejected from the battery; avoid contact. If contact**

**accidentally occurs, flush with water. If liquid contacts eyes, additionally seek medical help.** Liquid ejected from the battery may cause irritation or burns.

- e) **Do not use a battery pack or tool that is damaged or modified.** Damaged or modified batteries may exhibit unpredictable behaviour resulting in fire, explosion or risk of injury.
  - f) **Do not expose a battery pack or tool to fire or excessive temperature.** Exposure to fire or temperature above 130 °C may cause explosion. NOTE The temperature „130 °C“ can be replaced by the temperature „265 °F“.
  - g) **Follow all charging instructions and do not charge the battery pack or tool outside the temperature range specified in the instructions.** Charging improperly or at temperatures outside the specified range may damage the battery and increase the risk of fire.
- 6) Service**
- a) **Have your power tool serviced by a qualified repair person using only identical replacement parts.** This will ensure that the safety of the power tool is maintained.
  - b) **Never service damaged battery packs.** Service of battery packs should only be performed by the manufacturer or authorized service providers.

## TELESCOPIC CHAIN SAW SAFETY WARNINGS

- a) **Keep all parts of the body away from the saw chain.** Do not remove cut material nor hold material to be cut when the saw chain is moving. Make sure the tool is switched off and the battery is removed when clearing jammed material. A moment of inattention while operating the chain saw may result in serious personal injury.
- b) **Hold the power tool by insulated gripping surfaces only, because the saw chain may contact hidden wiring.** Saw chains contacting a "live" wire may make exposed metal parts of the product "live" and could give the operator an electric shock.
- c) **Maintain a firm grip with both hands and position your body and arm to allow you to resist any kickback forces.** Kickback forces can be controlled by the operator, if proper precautions are taken. Do not let go of the telescopic chain saw.
- d) **When cutting a branch be alert for kickback.** When the branch is branched it can bend down and jam the saw chain.

- e) **Carry the chain saw switched off, always with both hands and the saw chain cover fitted.** Proper handling of the chain saw will reduce the likelihood of accidental contact with the moving saw chain.
- f) **Do not operate the telescopic chain saw in a tree.** Operation of a telescopic chain saw while climbing or situated in a tree may result in personal injury.
- g) **Always keep proper footing and operate the chain saw only when standing on fixed, secure and level surface.** Slippery or unstable surfaces such as ladders may cause a loss of balance or control of the chain saw.
- h) **Follow instructions for lubricating, chain tensioning and changing accessories.** Improperly tensioned or lubricated chain may either break or increase the chance for kickback.
- i) **Keep handles dry, clean, and free from oil and grease.** Greasy, oily handles are slippery causing loss of control.
- j) **Cut wood only.** Do not use the telescopic chain saw for purposes that it is not intended for. Example: do not use the chain saw for cutting plastic, masonry or other non-wooden building materials. Use of the telescopic chain saw for operations different than intended for could result in a hazardous situation.
- k) **Causes and operator prevention of kickback:**
  - Kickback may occur when the nose or tip of the guide bar touches an object, or when the wood closes in and pinches the saw chain in the cut.
  - Tip contact in some cases may cause a sudden reverse reaction, kicking the guide bar up and back towards the operator.
  - Pinching the saw chain along the top of the guide bar may push the guide bar rapidly back towards the operator.

Either of these reactions may cause you to lose control of the telescopic chain saw which could result in serious personal injury. As a chain saw user, you should take several steps to keep your cutting jobs free from accident or injury.

**Kickback is the result of incorrect or faulty use of the product. Kickback can be avoided by taking proper precautions as given below.**
- l) **Only use replacement saw chains specified by the manufacturer.** Incorrect saw chains may cause chain breakage or kickback.
- m) **If the bar is damaged and in need of replacement, please consult your dealer.**



- n) **To prevent accidental operation of the saw chain, this chain saw is equipped with a switch with mechanical interlock.** To operate the chain saw, the locking button must be pressed before the saw chain starts operating
  - Do not use the product without pressing the locking button.
  - Do not operate this tool with only one hand. Hold the product securely with both hands; one hand to hold the product securely and the other to operate the On/Off switch.
- o) **Never allow children, persons with physical, sensory or mental limitations or a lack of experience and/or knowledge and/or people unfamiliar with these instructions to use the machine.** Local regulations may restrict the age of the operator.
- p) **Children should be supervised to ensure that they do not play with the machine.**
- q) **When not in use store the telescopic chain saw out of reach of children.**
- r) **Before operation, check the work area and remove all possible hazards.**
- s) **Always wait until the machine has come to a complete stop and remove the battery, before placing the machine down.** The saw chain can jam or kickback and lead to loss of control over the machine.
- t) **Switch off the chain saw when changing the working position.**
- u) **A cut branch can lead to personal injury by falling on you or springing back from the ground.** Cut longer branches in sections.
- v) **Reduce force before the branch is completely cut off.** You can get injured when losing balance and control of the chain saw.
- w) **Do not hang the product in a tree when you are not using it.** Always place the tool on the ground in a safe place without removing the battery.
- b) **When working with the machine, always hold it firmly with both hands and provide for a secure stance.** The power tool is guided more secure with both hands.
- c) **Always ensure all handles and guards are fitted when using the machine.** Never attempt to use an incomplete machine or one fitted with an unauthorized modification.
- d) **Always lubricate the saw chain with protective spray before use.**
- e) **Always wait until the machine has come to a complete stop before placing it down.**
- f) **Other persons and animals should remain at a distance of 3 meters or more when the machine is being used.** The operator is responsible for third persons in the working area.
- g) **Never grasp the saw chain.**
- h) **Children or persons unfamiliar with these instructions must not operate the chain saw.** Local regulations may restrict the age of the operator.
- i) **The user is responsible for accidents or hazards occurring to other people or their property.**
- j) **Do not operate the chain saw when barefoot or wearing open sandals, always wear substantial footwear and long trousers.** The use of sturdy gloves, non-skid footwear and safety glasses is recommended. Do not wear loose clothing or jewelry which can be caught in moving parts.
- k) **Thoroughly inspect the area where the chain saw is to be used and remove all wires and other foreign objects.**
- l) **Prior to operation, check saw chain, bar, and bolts for wear or damage.** Do not operate with a damaged or excessively worn chain saw.
- m) **Know how to stop the chain saw quickly in an emergency.**
- n) **Use the chain saw only in daylight or in good artificial light.**
- o) **Never operate the chain saw with defective guards or without the guard in place.**
- p) **Never hold the chain saw by the guard.**
- q) **When operating the telescopic chain saw, ensure to keep proper footing and balance at all times.**
- r) **Always be aware of your surroundings and stay alert for possible hazards that you may not hear whilst operating the chain saw.**
- s) **Keep all nuts, bolts and screws tight to ensure that the chain saw is always in a safe working condition.**

#### ADDITIONAL SAFETY WARNINGS

- a) **This tool is not intended for use by persons (including children) with reduced physical, sensory or mental capabilities, or lack of experience and knowledge,** unless they have been given supervision or instruction concerning use of the appliance by a person responsible for their safety. Children should be supervised to ensure that they do not play with the appliance.

- t) **The telescopic chain saw should be stored in a dry, high or locked up place out of the reach of children.**
- u) **Replace worn or damaged parts for safety.**
- v) **Do not attempt to repair the machine unless you are qualified to do so.**
- w) **Hold the product securely with both hands.**

**SAFETY WARNINGS FOR BATTERY**

- a) **Do not open the battery.** Danger of short-circuiting.
- b) **Protect the battery against heat, e. g., against continuous intense sunlight, fire, water, and moisture.** Danger of explosion.
- c) **In case of damage and improper use of the battery, vapours may be emitted. Ventilate the area and seek medical help in case of complaints.**  
The vapours can irritate the respiratory system.
- d) **Use the battery only in conjunction with your Vonroc product.** This measure alone protects the battery against dangerous overload.
- e) **The battery can be damaged by pointed objects such as nails or screwdrivers or by force applied externally.** An internal short circuit can occur and the battery can burn, smoke, explode or overheat.

**SAFETY WARNINGS FOR CHARGER**

**Intended use**

Charge only CD801AA and CD803AA type rechargeable Battery packs with the charger. Other types of batteries may burst causing personal injury and damage.

- a) **The appliance is not to be used by persons (including children) with reduced physical, sensory or mental capabilities, or lack of experience and knowledge, unless they have been given supervision or instruction.**
- b) **Children being supervised not to play with the appliance.**
- c) **Do not recharging non-rechargeable batteries!**
- d) **During charging, batteries must be placed in the well ventilated area!**

**Electrical safety**



*Always check that the voltage of the power supply corresponds to the voltage on the rating plate.*

- Do not use the machine if the mains cable or the mains plug is damaged.

- Only use extension cables that are suitable for the power rating of the machine with a minimum thickness of 1.5 mm<sup>2</sup>. If you use an extension cable reel, always fully unroll the cable.

**2. MACHINE INFORMATION**

**Intended use**

The machine is intended for domestic use, for pruning trees and shrubs at elevated height, while the user is situated on the ground. The machine is not intended to be used on a ladder or steps. The machine is not designed to cut inorganic material. This tool is not intended for commercial or industrial use.


**TECHNICAL SPECIFICATIONS**





*This manual has been drawn up for different sets / article numbers. Check the corresponding article number in the below specifications table for the correct composition and contents of your set.*

Model No.	Batteries included	Chargers included
<b>CS504DC</b>	-	-
<b>S_CS504DC</b>	CD801AA	CD802AA
<b>S2_CS504DC</b>	2 x CD801AA	CD802AA
<b>S3_CS504DC</b>	CD803AA	CD802AA

Machine information	
Voltage	20V
Chain speed	5m/s
Chain bar length	200mm
Chain length	44T
Chain pitch	1/4"
Chain gauge	0.043"
Length adjustment	200-260cm
Sound pressure level (LpA)	78.2dB, k=3dB
Sound pressure level (LWA)	88 dB(A), K=3dB(A)
Guaranteed LWA	91dB
Vibration	front handle a <sub>h</sub> =2.74m/s <sup>2</sup> rear handle a <sub>h</sub> =2.69m/s <sup>2</sup> K=1.5m/s <sup>2</sup>
Weight	2.3kg

<b>Model No.</b>	<b>CD801AA</b>
Battery Type	Lithium-Ion
Voltage	20V 
Capacity	2.0 Ah
Recommended charger	CD802AA
Weight	0.3 kg

<b>Model No.</b>	<b>CD802AA</b>
Charger input	220-240V, 50Hz 0.4A
Charger output	21V  2.5A
Charging time 2Ah battery	60 minutes
Charging time 4Ah battery	120 minutes
Recommended batteries	CD801AA, CD803AA
Weight	0.36 kg

<b>Model No.</b>	<b>CD803AA</b>
Battery Type	Lithium-Ion
Voltage	20V 
Capacity	4.0 Ah
Recommended charger	CD802AA
Weight	0.65 kg

Only use the following batteries of the VONROC VPOWER 20V battery platform. Using any other batteries could cause serious injury or damage the tool.

- CD801AA 20V, 2Ah Lithium-Ion
- CD803AA 20V, 4Ah Lithium-Ion

The following charger of the can be used to charge these batteries.

- CD802AA Quick charger

The batteries of the VONROC VPOWER 20V battery platform are interchangeable with all the VONROC VPOWER 20V battery platform tools.

### DESCRIPTION

The numbers in the text refer to the diagrams on pages 2 - 5.

1. Chain saw head
2. Head adjustment button
3. Head locking ring
4. Saw chain
5. Chain saw bar

6. Oil reservoir cap
7. Handle locking lever
8. Power switch
9. Telescopic handle
10. Power connector
11. Shoulder strap
12. Carabiner
13. Chain cover
14. Battery
15. Battery charger
16. Battery release button
17. Battery LED indicators button
18. Battery LED indicators
19. Charger LED indicators

### 3. ASSEMBLY



*Before any work (maintenance, tool change, assembly) on the power tool, remove the battery from the power tool.*



*The battery must be charged before first use.*

#### Inserting the battery into the machine (Fig. B-1)

Ensure that the exterior of the battery is clean and dry before connecting to the charger or machine.

1. Insert the battery (14) into the base of the machine as shown in Fig. B-1.
2. Push the battery further forward until it clicks into place.

#### Removing the battery from the machine (Fig. B-1)

1. Push the battery release button (16).
2. Pull the battery out of the machine like shown in Fig. B-1.

#### Checking the battery charging status (Fig. B-2)

- To check the battery charge status, push the button (17) on battery shortly.
- The battery has 3 lights indicating the charge level, the more lights that burn, the more charge the battery has left.
- When the lights are not burning it means the battery is empty and must be charged immediately.

#### Charging the battery with the charger (Fig. B-2)

1. Take the battery (14) from the machine.
2. Turn the battery (14) to upside down position and slide it onto the charger (15) as shown in Fig. B-2.

- Push the battery until it is fully pushed into the slot.
- Plug the charger plug into an electrical outlet and wait for a while. The LED indicators on the charger (19) will lighten up and show the charger status.

**The charger has 2 LED indicators (19) which indicate the status of the charging process:**

Red LED Status	Green LED status	Charger status
Off	Off	No power
Off	On	Standby mode: - No battery present, or: - Battery present, charging has finished
On	Off	Battery charging in progress

- Fully charging the 2Ah battery may take up to 60 minutes.
- Fully charging the 4Ah battery may take up to 120 minutes.

After the battery is fully charged remove the charger plug from the outlet and remove the battery from the charger.



*When the machine is not being used over a longer period of time it is best to store the battery in charged condition.*

#### **Tool assembly (Fig. C, D)**

- Attach the shoulder strap (11) to the loop on the handle (9) using the carabiner (12).
- Release the head locking ring (3) by rotating it anti-clockwise. Do not completely remove the ring from the head.
- Fit the chain saw head (1) to the telescopic handle (9) by inserting the power connector (10) into the head.
- If the connector (10) is not inserted properly, there might be no electrical connection and the tool will not work. Make sure that the power connector is fully inserted into the chain saw head. The screw (20) on the handle should be covered by the chain saw head (1) and locking ring (3).
- Secure the chain saw head (1) by rotating the locking ring (3) clockwise



*Never fasten the belt diagonally across the shoulder and chest, but place it on one of the shoulders. This way you can quickly remove the tool from your body in case of danger.*

#### **Adjusting the telescopic height (Fig. E-1, E-2)**

- Unlock the lever (7) to release the telescopic handle (9).
- Extend or retract the telescopic handle (9) to the desired length.
- Secure the telescopic handle by locking the lever (7).

#### **Adjusting the pivoting chain saw head (Fig. F-1, F-2)**

- Press both the button (2) on the side of the chain saw head (1).
- Adjust the head to the desired position.
- Release the button (2) and make sure the head is locked in place.

## **4. OPERATION**

#### **Before use (Fig. G)**

Remove the chain cover (13) and check the oil level in the reservoir (6). Do not operate the saw with an empty oil reservoir. Use biodegradable chain saw oil only. Check if the chain (4) is correctly tensioned. The chain is correctly tensioned when it can be raised approx. 2-3mm by hand in the center of the chain bar (5).

#### **Switching on and off**

Always hold the telescopic chain saw with both hands. Place one hand on the telescopic handle (9) and one hand on the rear handle near the power switch. Press and hold the power switch (8) to operate the machine. When the power switch is released the machine will automatically stop.

#### **During use**

Bring the chain up to speed before contacting the wood. Do not force the chain saw while cutting. Keep the machine at a steady speed and let the chain do the work. Regularly check the oil level in the reservoir, top up the reservoir before it runs completely dry. When sawing off large/long branches, sawing off in parts is recommended.

**After use**

Wipe off any dirt and debris from the chain (4) using a brush or cloth. Place the chain cover (13), and remove the battery (14) before storing the machine. To prevent oil leakage while in storage, drain any remaining oil from the reservoir (6) into a suitable container.

**5. MAINTENANCE**

*Before cleaning and maintenance, always switch off the machine and remove the battery pack from the machine.*

Clean the machine casings regularly with a soft cloth, preferably after each use. Make sure that the ventilation openings are free of dust and dirt. Remove very persistent dirt using a soft cloth moistened with soapsuds. Do not use any solvents such as gasoline, alcohol, ammonia, etc. Chemicals such as these will damage the synthetic components of the machine.

**Adjusting saw chain tension (Fig. H)**

Normal wear will cause the chain to stretch out slowly over time. The chain saw is equipped with a tensioning mechanism to compensate for this stretching. Turn the chain tensioning bolt (21) on the front of the machine to adjust the chain tension. The chain (4) is correctly tensioned when it can be raised approx. 2-3mm by hand in the center of the chain bar (5). When the tensioning mechanism is no longer able to fully compensate for the stretch, the chain is worn out and must be replaced.

**Replacing the saw chain (Fig. H)**

1. Undo the screw (22) and remove the cover (23).
2. Remove the chain (4) and chain saw bar (5).  
Discard the old chain.
3. Place the new chain around the chain bar.  
Ensure the size of the new chain is correct and observe the correct running direction of the chain.
4. Fit the chain over the drive sprocket and re-seat the chain bar.
5. Ensure all parts are seated properly and re-fit the cover (23) and tighten the screw (22).
6. Check the chain tension and adjust if necessary.

**Storage**

The telescopic chain saw should be kept in a safe, dry place, well out of the reach of children. Do not place other objects on top of it. Note that there is a small breather channel in the oil reservoir cap (6). The machine must be stored in a horizontal position, with the reservoir cap uppermost, to prevent oil leakage through the channel in the cap. Alternatively, if the machine must be stored in a different position, the oil should be drained from the reservoir into a suitable container to prevent leaking during storage.

**ENVIRONMENT**

*Faulty and/or discarded electrical or electronic apparatus have to be collected at the appropriate recycling locations.*

**Only for EC countries**

Do not dispose of power tools into domestic waste. According to the European Guideline 2012/19/EC for Waste Electrical and Electronic Equipment and its implementation into national right, power tools that are no longer usable must be collected separately and disposed of in an environmentally friendly way.

**WARRANTY**

VONROC products are developed to the highest quality standards and are guaranteed free of defects in both materials and workmanship for the period lawfully stipulated starting from the date of original purchase. Should the product develop any failure during this period due to defective material and/or workmanship then contact VONROC directly.

The following circumstances are excluded from this guarantee:

- Repairs and or alterations have been made or attempted to the machine by unauthorized service centers;
- Normal wear and tear;
- The tool has been abused, misused or improperly maintained;
- Non-original spare parts have been used.

This constitutes the sole warranty made by company either expressed or implied. There are no other warranties expressed or implied which extend beyond the face hereof, herein, including the im-

plied warranties of merchantability and fitness for a particular purpose. In no event shall VONROC be liable for any incidental or consequential damages. The dealers remedies shall be limited to repair or replacement of nonconforming units or parts.

**The product and the user manual are subject to change. Specifications can be changed without further notice.**

## 1. SICHERHEITSHINWEISE

Lesen Sie die beigegefügte Sicherheitswarnungen, die zusätzlichen Sicherheitswarnungen und die Anweisungen. Die Nichteinhaltung der Sicherheitswarnungen und der Anweisungen kann in einem Stromschlag, Brand und/oder in schweren Verletzungen resultieren. Bewahren Sie die Sicherheitswarnungen und Anweisungen für künftige Referenzzwecke auf.

Die folgenden Symbole werden im Benutzerhandbuch oder auf dem Produkt verwendet:



*Lesen Sie das Benutzerhandbuch.*



*Bedeutet, dass bei Nichtbeachtung der Anweisungen in dieser Anleitung Verletzungen, Tod oder Beschädigung des Werkzeugs die Folge sein können.*



*Stromschlagrisiko.*



*Maximaltemperatur 45°C.*



*Werfen Sie den Akku nicht ins Feuer.*



*Werfen Sie den Akku nicht ins Wasser.*



*Tragen Sie Kopfschutz.*



*Immer eine Schutzbrille tragen.*



*Nicht Regen aussetzen.*



*Hände von der Klinge fernhalten.*



*Auf umherfliegende Gegenstände achten.  
Halten Sie Zuschauer fern.*



*Von Hochspannungsleitungen fernhalten!  
Mindestabstand von 10 Metern einhalten.*



*Werkzeug/Gerät der Schutzklasse II.  
Schutzisoliert. Kein Schutzkontaktanschluss erforderlich.*



*Zeitverzögerter Miniatur-Sicherungseinsatz.*



Li-Ionen-Akkus müssen separat entsorgt werden.



Das Produkt nicht in ungeeigneten Behältern entsorgen.



Das Produkt entspricht den geltenden Sicherheitsstandards in den europäischen Richtlinien.

## ALLGEMEINE SICHERHEITSHINWEISE FÜR ELEKTROWERKZEUGE



**WARNUNG!** Beachten Sie alle Sicherheitswarnungen und Anweisungen. Die Nichtbeachtung der Warnungen und Anweisungen kann in einem Stromschlag, Brand und/oder in schweren Verletzungen resultieren.

### Bewahren Sie die Warnungen und Anweisungen für künftige Referenzzwecke auf.

Der Begriff „Elektrowerkzeug“ in den Warnhinweisen bezieht sich auf ein netzbetriebenes (kabelgebundenes) oder auf ein akkubetriebenes (kabelloses) Elektrowerkzeug.

#### 1) Sicherheit am Arbeitsplatz

- Halten Sie den Arbeitsbereich sauber und gut beleuchtet.** Unübersichtliche oder dunkle Bereiche führen eher zu Unfällen.
- Betreiben Sie Elektrowerkzeuge nicht in explosionsgefährdeten Bereichen, z. B. bei Vorhandensein von brennbaren Flüssigkeiten, Gasen oder Staub.** Elektrowerkzeuge erzeugen Funken, die den Staub oder die Dämpfe entzünden können.
- Halten Sie Kinder und Umstehende fern, während Sie Elektrowerkzeuge benutzen.** Ablenkungen können zum Verlust der Kontrolle führen.

#### 2) Elektrische Sicherheit

- Die Stecker von Elektrowerkzeugen müssen zur Steckdose passen. Den Stecker niemals modifizieren. Verwenden Sie bei geerdeten Elektrowerkzeugen keine Adapterstecker.** Nicht modifizierte Stecker und passende Steckdosen reduzieren das Stromschlagrisiko.
- Vermeiden Sie Körperkontakt mit geerdeten Oberflächen, wie Rohren, Heizkörpern, Herden und Kühlschränken.** Es besteht ein erhöhtes

Stromschlagrisiko, wenn Ihr Körper geerdet ist.

- Setzen Sie Elektrowerkzeuge keinem Regen oder feuchten Bedingungen aus.** Wenn Wasser in ein Elektrowerkzeug eindringt, erhöht sich die Gefahr eines Stromschlags.
- Missbrauchen Sie das Kabel nicht. Verwenden Sie das Kabel niemals zum Tragen, Ziehen oder Herausziehen des Steckers des Elektrowerkzeugs. Halten Sie das Kabel vor Wärme, Öl, spitzen Kanten oder sich bewegenden Teilen fern.** Beschädigte oder verwickelte Kabel erhöhen das Stromschlagrisiko.
- Wenn Sie ein Elektrowerkzeug im Freien betreiben, verwenden Sie ein für den Außeneinsatz geeignetes Verlängerungskabel.** Die Verwendung eines für den Außeneinsatz geeigneten Kabels verringert das Risiko eines Stromschlags.
- Wenn der Betrieb eines Elektrowerkzeugs in einer feuchten Umgebung unvermeidlich ist, verwenden Sie eine durch einen Fehlerstromschutzschalter geschützte Stromversorgung.** Die Verwendung eines Fehlerstromschutzschalters senkt das Stromschlagrisiko.

#### 3) Sicherheit von Personen

- Blieben Sie beim Umgang mit einem Elektrowerkzeug aufmerksam, achten Sie auf das, was Sie tun, und benutzen Sie Ihren gesunden Menschenverstand. Benutzen Sie Elektrogeräte nicht, wenn Sie müde sind oder unter dem Einfluss von Drogen, Alkohol oder Medikamenten stehen.** Ein Moment der Unachtsamkeit während des Betriebs eines Elektrowerkzeugs kann zu schwerwiegenden Verletzungen führen.
- Tragen Sie persönliche Schutzausrüstung. Immer eine Schutzbrille tragen.** Schutzausrüstungen wie Staubmaske, rutschfeste Sicherheitsschuhe, Schutzhelm oder Gehörschutz, die unter entsprechenden Bedingungen verwendet werden, verringern die Zahl der Verletzungen.
- Unbeabsichtigtes Starten verhindern. Vergewissern Sie sich, dass der Schalter ausgeschaltet ist, bevor Sie das Gerät an die Stromquelle und/oder den Akku anschließen, es in die Hand nehmen oder tragen.** Das Tragen von Elektrowerkzeugen mit dem Finger auf dem Schalter oder das Einschalten von Elektrowerkzeugen, bei denen der Schalter eingeschaltet ist, lädt zu Unfällen ein.

- d) **Entfernen Sie vor dem Einschalten des Elektrowerkzeugs alle Einstellschlüssel oder Schraubenschlüssel.** Ein Einstellschlüssel oder Schraubenschlüssel, der an einem rotierenden Teil des Elektrowerkzeugs verbleibt, kann zu Verletzungen führen.
- e) **Keine anormale Arbeitshaltung einnehmen. Achten Sie jederzeit auf festen Stand und Ihr Gleichgewicht.** Das ermöglicht eine bessere Kontrolle des Elektrowerkzeugs in unerwarteten Situationen.
- f) **Angemessene Kleidung tragen. Tragen Sie keine locker sitzende Kleidung oder Schmuck. Haare, Kleidung und Handschuhe von beweglichen Teilen fernhalten.** Locker sitzende Kleidung, Schmuck oder lange Haare können sich in beweglichen Teilen verfangen.
- g) **Wenn Anschlüsse für Vorrichtungen zum Absaugen und Sammeln von Staub vorhanden sind, stellen Sie sicher, dass diese angebracht und ordnungsgemäß verwendet werden.** Die Verwendung einer Staubabsaugvorrichtung kann staubbedingte Gefahren verringern.
- h) **Achten Sie darauf, nicht durch häufigen Gebrauch von Werkzeugen nachlässig zu werden und die Prinzipien zum sicheren Umgang mit den Werkzeugen zu ignorieren.** Eine unachtsame Handlung kann innerhalb von Sekundenbruchteilen schwere Verletzungen verursachen.
- 4) Verwendung und Pflege von Elektrowerkzeugen**
- a) **Wenden Sie keine übermäßige Kraft auf das Elektrowerkzeug an. Verwenden Sie das richtige Elektrowerkzeug für Ihre Anwendung.** Das richtige Elektrowerkzeug erledigt die Arbeit besser und sicherer mit der Geschwindigkeit, für die es konzipiert wurde.
- b) **Verwenden Sie das Elektrowerkzeug nicht, wenn es nicht am Schalter ein- und ausgeschaltet werden kann.** Jedes Elektrowerkzeug, das nicht mit dem Schalter gesteuert werden kann, stellt eine Gefahr dar und muss repariert werden.
- c) **Ziehen Sie den Stecker aus der Steckdose bzw. trennen Sie den Akku-Pack vom Elektrowerkzeug, bevor Sie irgendwelche Einstellungen vornehmen, Zubehörteile austauschen oder Elektrowerkzeuge aufbewahren.** Diese vorbeugenden Sicherheitsmaßnahmen verringern das Risiko einer unbeabsichtigten Inbetriebnahme des Elektrowerkzeugs.
- d) **Bewahren Sie ungenutzte Elektrowerkzeuge außerhalb der Reichweite von Kindern auf und erlauben Sie Personen, die mit dem Elektrowerkzeug oder dieser Anleitung nicht vertraut sind, nicht, das Elektrowerkzeug zu bedienen.** Elektrowerkzeuge stellen in den Händen von ungeschulten Benutzern eine Gefahr dar.
- e) **Pflegen Sie Elektrowerkzeuge. Prüfen Sie auf Fehlausrichtung oder Blockierung beweglicher Teile, Brüche von Teilen sowie auf alle anderen Bedingungen, die den Betrieb des Elektrowerkzeugs beeinträchtigen können. Bei einer Beschädigung lassen Sie das Elektrowerkzeug vor dem weiteren Gebrauch reparieren.** Viele Unfälle werden durch schlecht gepflegte Elektrowerkzeuge verursacht.
- f) **Halten Sie die Schneidwerkzeuge scharf und sauber.** Ordnungsgemäß gewartete Schneidwerkzeuge mit scharfen Schneidkanten verkleben sich seltener und sind leichter zu kontrollieren.
- g) **Verwenden Sie das Elektrowerkzeug, das Zubehör und die Bits usw. gemäß dieser Anleitung und unter Berücksichtigung der Bedingungen und der vorgesehenen Arbeiten.** Die Verwendung des Elektrowerkzeugs für andere als die vorgesehenen Tätigkeiten kann zu einer gefährlichen Situation führen.
- h) **Halten Sie Griffe und Greifflächen immer trocken, sauber und frei von Öl und Fett.** Rutschige Griffe und Greifflächen verhindern in unerwarteten Situationen den sicheren Umgang mit dem Werkzeug und die richtige Kontrolle darüber.
- 5) Verwendung und Pflege von Akkus**
- a) **Laden Sie den Akku nur mit dem vom Hersteller angegebenen Ladegerät auf.** Ein Ladegerät, das für einen Akkutyp geeignet ist, kann bei Verwendung mit einem anderen Akkutyp eine Brandgefahr darstellen.
- b) **Verwenden Sie Elektrowerkzeuge nur mit den speziell dafür vorgesehenen Akkus.** Bei Verwendung anderer Akkus besteht Verletzungs- und Brandgefahr.
- c) **Wenn der Akku nicht in Gebrauch ist, halten Sie ihn von anderen Metallgegenständen wie Büroklammern, Münzen, Schlüsseln, Nägeln, Schrauben oder anderen kleinen Metallobjekten fern, die einen Kontakt zwischen den Anschlüssen herstellen können.** Das Kurzschließen von Batterieanschlüssen kann zu Verbrennungen oder einem Brand führen.



- d) **Unter missbräuchlichen Bedingungen kann Flüssigkeit aus dem Akku austreten; vermeiden Sie den Kontakt damit. Bei versehentlichem Kontakt gut mit Wasser abspülen. Wenn die Flüssigkeit in die Augen gelangt, suchen Sie zusätzlich einen Arzt auf.** Aus dem Akku austretende Flüssigkeit kann Reizungen oder Verbrennungen verursachen.
- e) **Verwenden Sie keinesfalls Akkus und Werkzeuge, die beschädigt oder verändert wurden.** Beschädigte oder veränderte Akkus können ein unvorhersehbares Verhalten zeigen, das zu Feuer, Explosionen oder Verletzungsgefahren führt.
- f) **Setzen Sie Akkus oder Werkzeuge keinem Feuer oder übermäßigen Temperaturen aus.** Feuer oder Temperaturen über 130 °C können zu Explosionen führen. HINWEIS: Die Temperaturangabe „130 °C“ kann durch die Temperaturangabe „265 °F“ ersetzt werden.
- g) **Beachten Sie alle Hinweise zum Aufladen und laden Sie Akkus oder Werkzeuge nicht außerhalb der in der Anleitung angegebenen Temperaturbereiche auf.** Unsachgemäßes Aufladen oder Aufladen bei Temperaturen außerhalb des angegebenen Bereichs kann den Akku schädigen und die Brandgefahr erhöhen.
- 6) Wartung**
- a) **Lassen Sie Ihr Elektrowerkzeug von einer qualifizierten Fachwerkstatt warten, die nur identische Ersatzteile verwendet.** So wird sichergestellt, dass die Sicherheit des Elektrowerkzeugs gewahrt bleibt.
- b) **Beschädigte Akkus dürfen keinesfalls gewartet werden.** Die Wartung von Akkus darf nur vom Hersteller oder von Vertragswerkstätten durchgeführt werden.
- b) **Sie das Elektrowerkzeug an den isolierten Griffflächen, da die Sägekette versteckte Leitungen berühren könnte.** Der Kontakt der Sägekette mit einer spannungsführenden Leitung kann auch metallene Geräteteile unter Spannung setzen und zu einem elektrischen Schlag führen.
- c) **Halten Sie das Werkzeug mit beiden Händen gut fest und positionieren Sie Körper und Arme so, dass Sie eventuellen Rückschlagkräften widerstehen können.** Rückschlagkräfte können besser kontrolliert werden, wenn entsprechende Vorsichtsmaßnahmen getroffen werden. Lassen Sie die Teleskop-Kettensäge nicht los.
- d) **Seien Sie beim Sägen von Ästen auf einen Rückschlag vorbereitet.** Sobald ein Ast angesägt ist, kann er sich nach unten biegen und die Sägekette einklemmen.
- e) **Tragen Sie die ausgeschaltete Kettensäge immer nur mit beiden Händen und angebrachter Sägekettenabdeckung.** Der richtige Umgang mit der Kettensäge verringert die Wahrscheinlichkeit des versehentlichen Kontakts mit der sich bewegenden Sägekette.
- f) **Betreiben Sie die Teleskop-Kettensäge nicht in einem Baum.** Der Betrieb einer Teleskop-Kettensäge, während Sie auf einen Baum klettern oder sich in einem Baum befinden, kann zu Verletzungen führen.
- g) **Achten Sie immer auf einen sicheren Stand und betreiben Sie die Kettensäge nur, wenn Sie auf einem festen, sicheren und ebenen Untergrund stehen.** Rutschige oder instabile Oberflächen, z. B. Leitern, können zu einem Verlust des Gleichgewichts oder der Kontrolle über die Kettensäge führen.
- h) **Befolgen Sie die Anweisungen zum Schmieren, Spannen der Kette und Austausch von Zubehör.** Eine nicht ordnungsgemäß gespannte oder geschmierte Kette kann reißen oder die Gefahr eines Rückschlags erhöhen.
- i) **Halten Sie die Griffe immer trocken, sauber und frei von Öl und Fett.** Fettige, ölige Griffe sind rutschig und können daher zum Verlust der Kontrolle führen.
- j) **Nur Holz sägen.** Verwenden Sie die Teleskop-Kettensäge nicht für Zwecke, für die sie nicht vorgesehen ist. Beispiel: Verwenden Sie die Kettensäge nicht zum Schneiden von Kunststoff, Mauerwerk oder anderen Baumaterialien, die nicht aus Holz bestehen. Die Verwendung

## SICHERHEITSHINWEISE FÜR TELESKOP-KETTENSÄGEN

- a) **Sämtliche Körperteile von der Sägekette fernhalten.** Weder geschnittenes Material entfernen noch das zu schneidende Material festhalten, wenn sich die Sägekette bewegt. Sicherstellen, dass das Gerät ausgeschaltet und der Akku entfernt ist, wenn Sie eingeklemmtes Material beseitigen. Ein Moment der Unachtsamkeit während des Betriebs der Kettensäge kann zu schwerwiegenden Verletzungen führen.

der Teleskop-Kettensäge für andere als die vorgesehenen Tätigkeiten kann zu einer gefährlichen Situation führen.

**k) Ursachen von Rückschlag und Vermeidung durch den Bediener:**

- Ein Rückschlag kann auftreten, wenn die Nase oder die Spitze des Führungsschwerts einen Gegenstand berührt oder wenn das angesägte Holz die Sägekette einklemmt.
- Der Kontakt der Spitze kann unter Umständen eine plötzliche Umkehrreaktion auslösen, bei der das Führungsschwert heftig nach oben und zum Bediener zurückgedrückt wird.
- Wenn die Sägekette am oberen Ende des Führungsschwerts eingeklemmt wird, kann das Führungsschwert schnell zum Bediener zurückgedrückt werden.

Jede dieser Reaktionen kann dazu führen, dass Sie die Kontrolle über die Teleskop-Kettensäge verlieren, was zu schweren Verletzungen führen kann. Als Benutzer einer Kettensäge sollten Sie verschiedene Maßnahmen beachten, damit Ihre Sägearbeiten unfall- und verletzungsfrei bleiben.

**Ein Rückschlag ist die Folge einer unsachgemäßen Verwendung des Geräts. Ein Rückschlag ist wie nachfolgend erläutert durch geeignete Vorsichtsmaßnahmen vermeidbar.**

- l) Verwenden Sie als Ersatz nur die vom Hersteller genannten Sägeketten.** Falsche Sägeketten können einen Bruch der Kette oder einen Rückschlag verursachen.
- m) Wenn das Sägeschwert beschädigt ist und ersetzt werden muss, wenden Sie sich bitte an Ihren Händler.**
- n) Um die unbeabsichtigte Betätigung der Sägekette zu verhindern, ist diese Kettensäge mit einem Schalter mit mechanischer Verriegelung ausgestattet.** Zur Inbetriebnahme der Kettensäge muss der Verriegelungsknopf gedrückt werden, bevor die Sägekette anläuft
  - Benutzen Sie das Produkt nicht, ohne den Verriegelungsknopf zu drücken.
  - Bedienen Sie das Gerät nicht mit nur einer Hand. Halten Sie das Gerät mit beiden Händen fest: eine, um das Gerät sicher zu halten, und die andere, um den Ein/Aus-Schalter zu betätigen.
- o) Erlauben Sie niemals Kindern, Personen mit körperlichen, sensorischen oder geistigen Einschränkungen oder einem Mangel an Erfahrung**

**und/oder Wissen und/oder Personen, die mit dieser Anleitung nicht vertraut sind, das Gerät zu benutzen.** Örtliche Vorschriften können das Alter des Betreibers einschränken.

- p) Kinder müssen beaufsichtigt werden, um sicherzustellen, dass sie nicht mit dem Gerät spielen.**
- q) Die Teleskop-Kettensäge außerhalb der Reichweite von Kindern lagern, wenn sie nicht in Gebrauch ist.**
- r) Überprüfen Sie vor Beginn der Arbeit den Arbeitsbereich und beseitigen Sie alle möglichen Gefahren.**
- s) Warten Sie immer, bis das Gerät vollständig zum Stillstand gekommen ist, und entfernen Sie den Akku, bevor Sie es ablegen.** Die Sägekette kann sich verklemmen oder einen Rückschlag verursachen und zum Verlust der Kontrolle über das Gerät führen.
- t) Schalten Sie die Kettensäge aus, wenn Sie Ihre Arbeitsposition verändern.**
- u) Ein abgesägter Ast kann zu Verletzungen führen, wenn er auf Sie fällt oder vom Boden zurückspringt.** Sägen Sie längere Äste in einzelnen Abschnitten.
- v) Verringern Sie die Werkzeuleistung, bevor der Ast vollständig abgesägt ist.** Sie können sich verletzen, wenn Sie das Gleichgewicht und die Kontrolle über die Kettensäge verlieren.
- w) Hängen Sie das Produkt nicht in einen Baum, wenn Sie es gerade nicht benutzen.** Legen Sie das Gerät immer an einer sicheren Stelle auf den Boden, ohne den Akku zu entfernen.

**ZUSÄTZLICHE SICHERHEITSHINWEISE**

- a) Dieses Werkzeug ist nicht zur Verwendung durch Personen (einschließlich Kinder) mit eingeschränkten körperlichen, sensorischen oder geistigen Fähigkeiten oder mangelnder Erfahrung und mangelndem Wissen vorgesehen,** es sei denn, sie wurden von einer für ihre Sicherheit verantwortlichen Person beaufsichtigt oder in die Verwendung des Geräts eingewiesen. Kinder müssen beaufsichtigt werden, um sicherzustellen, dass sie nicht mit dem Gerät spielen.
- b) Halten Sie das Elektrowerkzeug beim Arbeiten fest mit beiden Händen und sorgen Sie für einen sicheren Stand.** Das Elektrowerkzeug wird mit zwei Händen sicherer geführt.

- c) **Immer sicherstellen, dass alle Griffe und Schutzvorrichtungen bei Gebrauch des Werkzeugs richtig befestigt sind.** Versuchen Sie niemals, ein unvollständiges Werkzeug oder ein Werkzeug mit einer nicht genehmigten Veränderung zu benutzen.
- d) **Schmieren Sie die Sägekette vor Gebrauch immer mit Schutzspray.**
- e) **Warten Sie immer, bis das Gerät vollständig zum Stillstand gekommen ist, bevor Sie sie ablegen.**
- f) **Andere Personen und Tiere sollten während der Verwendung des Werkzeugs einen Abstand von mindestens 3 Metern einhalten.** Der Bediener ist für im Arbeitsbereich anwesende Personen verantwortlich.
- g) **Greifen Sie niemals in die Sägekette.**
- h) **Kinder oder Personen, die mit dieser Anleitung nicht vertraut sind, dürfen die Kettensäge nicht verwenden.** Örtliche Vorschriften können das Alter des Betreibers einschränken.
- i) **Der Benutzer ist verantwortlich für Unfälle oder Gefahren, die für andere Menschen oder deren Eigentum auftreten.**
- j) **Verwenden Sie die Kettensäge nicht barfuß oder mit offenen Sandalen, sondern tragen Sie stets festes Schuhwerk und lange Hosen.** Das Tragen von festen Handschuhen, rutschfestem Schuhwerk und einer Schutzbrille wird ebenfalls empfohlen. Tragen Sie keine weiten Kleidungsstücke oder Schmuckstücke, die sich in beweglichen Teilen verfangen könnten.
- k) **Untersuchen Sie den Bereich, in dem die Kettensäge eingesetzt werden soll, gründlich und entfernen Sie alle Drähte und andere Fremdkörper.**
- l) **Prüfen Sie vor dem Einsatz Sägekette, Sägeschwert und Schrauben auf Verschleiß oder Beschädigung.** Arbeiten Sie nicht mit einer beschädigten oder übermäßig abgenutzten Kettensäge.
- m) **Informieren Sie sich darüber, wie Sie die Kettensäge im Notfall schnell anhalten können.**
- n) **Kettensägen nur bei Tageslicht oder bei guter künstlicher Beleuchtung verwenden.**
- o) **Betreiben Sie die Kettensäge niemals mit defekten oder fehlenden Schutzvorrichtungen.**
- p) **Halten Sie die Kettensäge niemals an der Schutzvorrichtung fest.**
- q) **Achten Sie bei der Arbeit mit der Kettensäge jederzeit auf festen Stand und Ihr Gleichgewicht.**
- r) **Achten Sie stets auf Ihre Umgebung und auf möglicherweise auftretende Gefahren, die Sie während des Betriebs der Kettensäge nicht hören können.**
- s) **Alle Muttern, Bolzen und Schrauben festgezogen halten, um sicherzustellen, dass die Kettensäge immer in einem arbeitssicheren Zustand ist.**
- t) **Die Kettensäge sollte an einem trockenen, hochgelegenen oder verschlossenen Ort außerhalb der Reichweite von Kindern aufbewahrt werden.**
- u) **Verschlossene oder beschädigte Teile aus Sicherheitsgründen austauschen.**
- v) **Versuchen Sie nicht, das Gerät zu reparieren, wenn Sie dafür nicht qualifiziert sind.**
- w) **Halten Sie das Gerät gut mit beiden Händen fest.**

#### SICHERHEITSHINWEISE FÜR AKKUS

- a) **Akku nicht öffnen.** Gefahr eines Kurzschlusses.
- b) **Schützen Sie den Akku vor Hitze, zum Beispiel vor andauerndem intensiven Sonnenlicht, sowie vor Feuer, Wasser und Feuchtigkeit.** Explosionsgefahr.
- c) **Bei Beschädigung und unsachgemäßer Verwendung des Akkus können Dämpfe freigesetzt werden. Lüften Sie den Bereich und suchen Sie bei Beschwerden einen Arzt auf.** Die Dämpfe können die Atemwege reizen.
- d) **Verwenden Sie den Akku nur in Verbindung mit Ihrem Vonroc-Produkt.** Nur dadurch wird der Akku vor gefährlicher Überladung geschützt.
- e) **Der Akku kann durch spitze Gegenstände wie Nägel oder Schraubendreher oder durch äußere Krafteinwirkung beschädigt werden.** Es kann ein interner Kurzschluss auftreten und der Akku kann brennen, rauchen, explodieren oder überhitzen.

#### SICHERHEITSHINWEISE FÜR LADEGERÄTE Verwendungszweck

Laden Sie mit dem Ladegerät nur wiederaufladbare Akkus vom Typ CD801AA und CD803AA auf. Andere Akkutypen können platzen und Verletzungen und Schäden verursachen.

- a) **Das Gerät darf nicht von Personen (einschließlich Kinder) mit eingeschränkten körperlichen, sensorischen oder geistigen Fähigkeiten oder mangelnder Erfahrung und mangelndem Wissen verwendet werden, es sei denn, sie werden dabei beaufsichtigt oder sie wurden in die Verwendung des Geräts eingewiesen.**

- b) Es ist darauf zu achten, dass Kinder nicht mit dem Gerät spielen.
- c) Laden Sie keine nicht aufladbaren Batterien auf!
- d) Während des Ladevorgangs müssen sich die Akkus in einem gut belüfteten Bereich befinden!

### Elektrische Sicherheit



Immer prüfen, dass die Spannung der Stromversorgung der Spannung auf dem Typenschild entspricht.

- Das Gerät nicht verwenden, wenn das Netzkabel oder der Netzstecker beschädigt ist.
- Nur Verlängerungskabel verwenden, die für die Leistungswerte des Geräts geeignet sind und eine Mindestdicke von 1,5 mm<sup>2</sup> aufweisen. Bei Verwendung eines Verlängerungskabels auf einer Kabeltrommel muss das Kabel immer komplett abgewickelt werden.

## 2. GERÄTEDATEN

### Verwendungszweck

Das Gerät ist für den privaten Gebrauch zum Beschneiden von hohen Bäumen und Sträuchern bestimmt, während sich der Benutzer auf dem Boden befindet. Das Gerät darf nicht auf einer Leiter oder Treppe verwendet werden. Das Gerät ist nicht zum Schneiden von anorganischem Material geeignet. Das Gerät ist nicht für den gewerblichen oder industriellen Gebrauch vorgesehen.

### TECHNISCHE DATEN



Dieses Handbuch wurde für unterschiedliche Sets / Artikelnummern erstellt. Achten Sie in der Spezifikationstabelle mit den korrekten Zusammenstellungen und Inhalten für Ihr Set auf Ihre jeweilige Artikelnummer.

Modellnr.	Akkus enthalten	Ladegeräte enthalten
<b>CS504DC</b>	-	-
<b>S_CS504DC</b>	CD801AA	CD802AA
<b>S2_CS504DC</b>	2 x CD801AA	CD802AA
<b>S3_CS504DC</b>	CD803AA	CD802AA

Gerätedaten	
Spannung	20V
Kettengeschwindigkeit	5 m/s
Kettenschwertlänge	200 mm
Kettenlänge	44T
Kettenteilung	1/4"
Breite der Treibglieder	0,043"
Anpassung der Länge	200-260cm
Schalldruckpegel (LpA)	78,2 dB, k=3 dB
Schalldruckpegel (LWA)	88 dB(A), K=3dB(A)
Garantierter LWA	91 dB
Vibration	vorderer Griff a <sub>n</sub> =2,74m/s <sup>2</sup> hinterer Griff a <sub>n</sub> =2,69 m/s <sup>2</sup> K=1,5 m/s <sup>2</sup>
Gewicht	2,3 kg

Modellnr.	CD801AA
Akkutyp	Lithium-Ionen
Spannung	20V
Kapazität	2,0 Ah
Empfohlenes Ladegerät	CD802AA
Gewicht	0,3 kg

Modellnr.	CD802AA
Ladegerät-Eingang	220-240V, 50Hz 0,4A
Ladegerät-Ausgang	21V  2,5A
Ladedauer 2Ah-Akku	60 Minuten
Ladedauer 4Ah-Akku	120 Minuten
Empfohlene Akkus	CD801AA, CD803AA
Gewicht	0,36 kg

Modellnr.	CD803AA
Akkutyp	Lithium-Ionen
Spannung	20V
Kapazität	4,0 Ah
Empfohlenes Ladegerät	CD802AA
Gewicht	0,65 kg

Verwenden Sie nur folgende Akkus der VONROC VPOWER 20V-Akku-Plattform. Die Verwendung an-

derer Akkus kann zu schweren Verletzungen oder einer Beschädigung des Werkzeugs führen.

- CD801AA 20 V, 2 Ah Lithium-Ionen
- CD803AA 20 V, 4 Ah Lithium-Ionen

Folgendes Ladegerät ist zum Aufladen dieser Akkus vorgesehen.  
CD802AA Schnellladegerät

Die Akkus der VONROC VPOWER 20V-Akku-Plattform sind unter allen Werkzeugen der VONROC VPOWER 20V-Akku-Plattform austauschbar.

**BESCHREIBUNG**

Die Zahlen im Text beziehen sich auf die Abbildungen auf Seite 2 – 5.

1. Kettensägenkopf
2. Kopfeinstellknopf
3. Kopfsicherungsring
4. Sägekette
5. Kettensägenschwert
6. Ölbehälterdeckel
7. Griffsicherungshebel
8. Netzschalter
9. Teleskopstiel
10. Stromanschluss
11. Schulterriemen
12. Karabiner
13. Kettenabdeckung
14. Akku
15. Akkuladegerät
16. Knopf zum Lösen des Akkus
17. Knopf für Akku-LED-Anzeigen
18. Akku-LED-Anzeigen
19. Ladegerät-LED-Anzeigen

**3. MONTAGE**



*Nehmen Sie vor allen Arbeiten (Wartung, Werkzeugwechsel, Montage) am Elektrowerkzeug den Akku aus dem Elektrowerkzeug.*



*Der Akku muss vor der erstmaligen Benutzung aufgeladen werden.*

**Einsetzen des Akkus in das Gerät (Abb. B-1)**

Stellen Sie sicher, dass die Außenseite des Akkus sauber und trocken ist, bevor Sie ihn an das Ladegerät oder das Gerät anschließen.

1. Setzen Sie den Akku (14) in den Sockel des Geräts ein, wie in Abb. B-1 dargestellt.
2. Schieben Sie den Akku weiter nach vorne, bis er einrastet.

**Entnehmen des Akkus aus dem Gerät (Abb. B-1)**

1. Drücken Sie den Knopf zum Lösen des Akkus (16).
2. Ziehen Sie den Akku aus dem Gerät heraus, wie in Abb. B-1 dargestellt.

**Überprüfen des Ladezustands des Akkus (Abb. B-2)**

- Zum Überprüfen des Ladezustands des Akkus drücken Sie kurz die Taste (17) am Akku.
- Der Akku hat 3 Leuchten, die den Ladezustand anzeigen. Je mehr Leuchten brennen, desto mehr Ladung hat der Akku noch.
- Wenn keine der Leuchten an ist, bedeutet das, dass der Akku leer ist und sofort aufgeladen werden muss.

**Aufladen des Akkus mit dem Ladegerät (Abb. B-2)**

1. Nehmen Sie den Akku (14) aus dem Gerät.
2. Drehen Sie den Akku (14) um und schieben Sie ihn auf das Ladegerät (15), wie in Abb. B-2 gezeigt.
3. Schieben Sie den Akku so weit herein, bis er vollständig im Steckplatz sitzt.
4. Verbinden Sie den Ladestecker mit einer Steckdose und warten Sie einen Moment. Die LED-Anzeigen am Ladegerät (19) leuchten auf und zeigen den Ladestatus an.

**Das Ladegerät besitzt 2 LED-Anzeigen (19), die seinen Ladestatus angeben:**

Status der roten LED	Status der grünen LED	Status des Ladegeräts
Aus	Aus	Kein Strom
Aus	An	Bereitschaftsmodus: - Kein Akku eingelegt, oder: - Akku eingelegt, Ladevorgang abgeschlossen
An	Aus	Akku wird gerade geladen

- Das vollständige Aufladen des 2Ah-Akkus kann bis zu 60 Minuten dauern.
- Das vollständige Aufladen des 4Ah-Akkus kann bis zu 120 Minuten dauern.

Nachdem der Akku vollständig geladen ist, den Ladegerätstecker aus der Steckdose ziehen und den Akku aus dem Ladegerät nehmen.



*Wenn das Gerät über einen längeren Zeitraum nicht verwendet wird, ist es am besten, den Akku in geladenem Zustand zu lagern.*

#### Montage des Werkzeugs (Abb. C, D)

- Bringen Sie den Schulterriemen (11) mit dem Karabiner (12) an der Schlaufe am Griff (9) an.
- Lösen Sie den Kopfsicherungsring (3), indem Sie ihn gegen den Uhrzeigersinn drehen. Entfernen Sie den Ring dabei nicht vollständig vom Kopf.
- Befestigen Sie den Kettensägenkopf (1) am Teleskopstiel (9), indem Sie den Stromanschluss (10) in den Kopf stecken.
- Wenn der Stecker (10) nicht richtig eingesteckt ist, besteht möglicherweise keine elektrische Verbindung und das Werkzeug funktioniert nicht. Vergewissern Sie sich, dass der Stromanschluss vollständig in den Kettensägenkopf eingesteckt ist. Die Schraube (20) am Griff muss durch den Kettensägenkopf (1) und den Sicherungsring (3) abgedeckt werden.
- Sichern Sie den Kettensägenkopf (1), indem Sie den Sicherungsring (3) im Uhrzeigersinn drehen.



*Den Riemen nie diagonal über Schulter und Brustkorb befestigen, sondern über eine der Schultern legen. Dadurch können Sie das Werkzeug im Gefahrenfall schnell vom Körper wegbringen.*

#### Einstellen der Teleskoplänge (Abb. E-1, E-2)

- Entsichern Sie den Hebel (7), um den Teleskopstiel (9) zu lösen.
- Ziehen bzw. schieben Sie den Teleskopstiel (9) auf die gewünschte Länge heraus bzw. herein.
- Sichern Sie den Teleskopstiel durch Feststellen des Hebels (7).

#### Einstellen des schwenkbaren Kettensägenkopfes (Abb. F-1, F-2)

- Drücken Sie auf den Knopf (2) an der Seite des Kettensägenkopfes (1).
- Stellen Sie den Kopf auf die gewünschte Position ein.
- Lassen Sie den Knopf (2) los und vergewissern Sie sich, dass der Kopf eingerastet ist.

## 4. BETRIEB

#### Vor der Verwendung (Abb. G)

Entfernen Sie die Kettenabdeckung (13) und prüfen Sie den Ölstand im Behälter (6). Betreiben Sie die Säge nicht mit einem leeren Ölbehälter. Verwenden Sie nur biologisch abbaubares Kettensägenöl. Prüfen Sie, ob die Kette (4) richtig gespannt ist. Die Kette ist richtig gespannt, wenn sie sich in der Mitte des Kettenschwerts (5) von Hand ca. 2 – 3 mm anheben lässt.

#### Ein- und Ausschalten

Halten Sie die Teleskop-Kettensäge immer mit beiden Händen fest. Legen Sie eine Hand auf den Teleskopgriff (9) und eine Hand auf den hinteren Griff in der Nähe des Netzschalters. Halten Sie den Netzschalter (8) gedrückt, um das Gerät einzuschalten. Sobald der Netzschalter losgelassen wird, stoppt das Gerät automatisch.

#### Während der Verwendung

Bringen Sie die Kette erst auf Geschwindigkeit, bevor sie das Holz berührt. Setzen Sie die Kettensäge beim Sägen nicht unter Druck. Betreiben Sie das Gerät mit gleichmäßiger Geschwindigkeit und lassen Sie die Kette die Arbeit machen. Kontrollieren Sie regelmäßig den Ölstand im Behälter und füllen Sie ihn auf, bevor er ganz leer ist. Beim Sägen schwerer oder langer Äste wird empfohlen, diese in einzelnen Teilen abzusägen.

#### Nach der Verwendung

Wischen Sie Schmutz und Ablagerungen mit einer Bürste oder einem Tuch von der Kette (4) ab. Bringen Sie die Kettenabdeckung (13) an und entfernen Sie den Akku (14), bevor Sie das Gerät einlagern. Um das Auslaufen des Öls während der Lagerung zu verhindern, lassen Sie das restliche Öl aus dem Behälter (6) in ein geeignetes Gefäß ab.

## 5. WARTUNG



*Vor dem Beginn von Reinigungs- und Wartungsarbeiten immer erst das Gerät ausschalten und den Akku entfernen.*

Die Maschinengehäuse regelmäßig mit einem weichen Tuch reinigen, vorzugsweise nach jedem Gebrauch. Sicherstellen, dass die Ventilatoröff-

nungen frei von Staub und Schmutz sind. Sehr hartnäckigen Schmutz mit einem mit Seifenlauge befeuchteten Tuch entfernen. Keine Lösungsmittel wie Benzin, Alkohol, Ammoniak usw. verwenden, da Chemikalien dieser Art die Kunststoffteile beschädigen.

as gasoline, alcohol, ammonia, etc. Chemicals such as these will damage the synthetic components of the machine.

### Einstellen der Sägekettenspannung (Abb. H)

Aufgrund von normalem Verschleiß dehnt sich die Kette im Lauf der Zeit langsam aus. Die Kettensäge ist mit einem Spannmechanismus ausgestattet, um diese Dehnung auszugleichen. Drehen Sie die Kettenspannschraube (21) vorne am Gerät, um die Kettenspannung einzustellen. Die Kette (4) ist richtig gespannt, wenn sie sich in der Mitte des Kettenschwerts (5) von Hand ca. 2 – 3 mm anheben lässt. Wenn der Spannmechanismus die Dehnung nicht mehr vollständig ausgleichen kann, ist die Kette verschlissen und muss ersetzt werden.

### Wechseln der Sägekette (Abb. H)

1. Lösen Sie die Schraube (22) und entfernen Sie die Abdeckung (23).
2. Entfernen Sie die Kette (4) und das Kettensägenschwert (5). Entsorgen Sie die alte Kette.
3. Legen Sie die neue Kette um das Kettensägenschwert. Achten Sie auf die richtige Größe der neuen Kette sowie auf die richtige Laufrichtung der Kette.
4. Legen Sie die Kette über das Kettenritzel und setzen Sie das Kettenschwert wieder ein.
5. Vergewissern Sie sich, dass alle Teile richtig sitzen, bringen Sie die Abdeckung (23) wieder an und ziehen Sie die Schraube (22) fest.
6. Prüfen Sie die Kettenspannung und passen Sie sie gegebenenfalls an.

### Aufbewahrung

Die Teleskop-Kettensäge sollte an einem sicheren, trockenen Ort aufbewahrt werden, der für Kinder unzugänglich ist. Keine anderen Gegenstände auf dem Gerät ablegen. Beachten Sie, dass sich im Ölbehälterdeckel (6) ein kleiner Entlüftungskanal befindet. Das Gerät muss in waagerechter Position und mit dem Ölbehälterdeckel nach oben gelagert werden, damit kein Öl durch den Kanal im Deckel ausläuft. Wenn das Gerät in einer anderen Position

gelagert werden muss, sollte das Öl aus dem Tank in einen geeigneten Behälter abgelassen werden, um ein Auslaufen zu verhindern.

## UMWELT



*Fehlerhafte und/oder ausgesonderte elektrische oder elektronische Geräte müssen zu den entsprechenden Recycling-orten gebracht werden.*

### Nur für EU-Länder

Entsorgen Sie Elektrowerkzeuge nicht im Hausmüll. Nach der europäischen Richtlinie 2012/19/EC über Elektro- und Elektronik-Altgeräte und ihrer Umsetzung in nationales Recht müssen Elektrowerkzeuge, die nicht mehr verwendet werden sollen, getrennt gesammelt und auf umweltgerechte Weise entsorgt werden.

## GARANTIE

VONROC-Produkte werden nach den höchsten Qualitätsstandards entwickelt und sind für den gesetzlich festgelegten Zeitraum ab dem Datum des ursprünglichen Kaufs garantiert frei von Material- und Verarbeitungsfehlern. Sollte das Produkt während dieses Zeitraums aufgrund von Material- und/oder Verarbeitungsfehlern ausfallen, wenden Sie sich bitte direkt an VONROC.

Folgende Umstände sind aus der Garantie ausgeschlossen:

- An der Maschine wurden von nicht autorisierten Servicestellen Reparaturen und/oder Änderungen vorgenommen oder versucht;
- Normaler Verschleiß;
- Das Gerät wurde missbräuchlich oder falsch verwendet oder unsachgemäß gewartet;
- Es wurden keine Originalersatzteile verwendet.

Dies ist die einzige ausdrückliche oder stillschweigende Garantie, die das Unternehmen übernimmt. Es gibt keine weiteren ausdrücklichen oder stillschweigenden Garantien, die über die hierin enthaltenen Angaben hinausgehen, einschließlich der stillschweigenden Garantien der Gebrauchstauglichkeit und Eignung für einen bestimmten Zweck. VONROC haftet in keinem Fall für zufällige Schäden oder Folgeschäden. Die Rechtsmittel des Händlers beschränken sich auf die Reparatur oder

den Austausch der nicht konformen Geräte oder Teile.

**Das Produkt und die Bedienungsanleitung können Änderungen unterliegen. Technische Daten können ohne vorherige Ankündigung geändert werden.**

## 1. VEILIGHEIDSINSTRUCTIES

Lees de bijgesloten veiligheidswaarschuwingen, de aanvullende veiligheidswaarschuwingen en de instructies. Geeft u geen gevolg aan de veiligheidswaarschuwingen en de instructies dan kan dat een elektrische schok, brand en/of ernstig letsel tot gevolg hebben. Bewaar de veiligheidswaarschuwingen en de instructies zodat u ze later ook nog kunt raadplegen.

De volgende symbolen worden gebruikt in de gebruiksaanwijzing of op het product:



*Lees de gebruiksaanwijzing.*



*Duidt op risico op persoonlijk letsel, gevaar van een ongeluk met dodelijke afloop of beschadiging van het gereedschap als de instructies in deze handleiding niet worden opgevolgd.*



*Risico op een elektrische schok.*



*Max. temperatuur 45 °C.*



*Gooi de accu niet in het vuur.*



*Gooi de accu niet in het water.*



*Draag een helm.*



*Draag een veiligheidsbril.*



*Niet blootstellen aan regen.*



*Houd uw handen uit de buurt van het blad.*



*Let op wegspringende voorwerpen. Houd omstanders op afstand.*



*Houd het product uit de buurt van hoogspanningsleidingen!  
Minimale afstand 10 meter.*



*Houd het product uit de buurt van hoogspanningsleidingen!  
Minimale afstand 10 meter.*



*Klasse II apparaat. Dubbele isolatie, u hebt geen geaarde stekker nodig.*



*Klasse II apparaat. Dubbele isolatie, u hebt geen geaarde stekker nodig.*



*Vertraging miniatuur smeltzekering.*





Gescheiden inzameling voor Li-ion-accu.



Gooi het product niet weg in containers die daarvoor niet geschikt zijn.



Het product voldoet aan de geldende veiligheidsnormen in de Europese richtlijnen.

## ALGEMENE VEILIGHEIDSWAARSCHUWINGEN VOOR ELEKTRISCH GEREEDSCHAP



**WAARSCHUWING! Lees alle veiligheids-waarschuwingen en alle instructies.** Geef u geen gevolg aan de waarschuwingen en de instructies, dan kan dat een elektrische schok, brand en/of ernstig letsel tot gevolg hebben.

**Bewaar alle waarschuwingen en instructies zodat u ze later ook nog kunt raadplegen.**

De woorden 'elektrisch gereedschap' zoals gebruikt in de waarschuwingen verwijzen naar uw elektrisch gereedschap dat via de stroomvoorziening (met snoer) of op basis van een accu (draadloos) wordt gebruikt.

### 1) Veiligheid op de werkplek

- Houd de werkplek schoon en goed verlicht.**  
Op rommelige of donkere werkplekken zullen gemakkelijk ongelukken gebeuren.
- Gebruik geen elektrische gereedschap in explosieve atmosferen, zoals in de nabijheid van ontvlambare vloeistoffen, gasen of stof.**  
Elektrische gereedschappen maken vonken die het stof of de gasen kunnen ontsteken.
- Houd kinderen en omstaanders uit de buurt terwijl u elektrisch gereedschap gebruikt.** Door afleidingen kunt u de controle verliezen.

### 2) Elektrische veiligheid

- Stekkers van elektrisch gereedschap moeten bij de stopcontacten passen. Breng nooit op welke manier dan ook veranderingen in de stekker aan. Gebruik nooit adapterstekkers met (geaard) elektrisch gereedschap.** Originele stekkers en passende stopcontacten verminderen het risico op een elektrische schok.
- Vermijd lichamelijk contact met geaarde oppervlakken, zoals leidingen, radiatoren, fornuizen en koelkasten.** Er is sprake van een verhoogd risico op een elektrische schok als uw lichaam geaard is.

- Stel elektrisch gereedschap niet bloot aan regen of natte omstandigheden.** Als water in het elektrisch gereedschap binnendringt, verhoogt dit de kans op een elektrische schok.
- Het snoer niet oneigenlijk gebruiken. Gebruik het snoer nooit om het elektrische gereedschap te dragen of mee te slepen, of om de stekker uit het stopcontact te trekken.** Houd het snoer weg bij hete voorwerpen, olie, scherpe randen en/of bewegende onderdelen. Beschadigde of in de war geraakte snoeren vergroten het risico van een elektrische schok.
- Als u elektrisch gereedschap buitenshuis gebruikt, dient u altijd een verlengsnoer te gebruiken dat geschikt is voor gebruik buitenshuis.** Het gebruik van een snoer dat geschikt is voor buitenshuis gebruik, zal het risico op een elektrische schok verminderen.
- Als het gebruik van elektrisch gereedschap in een vochtige ruimte niet kan worden vermeden, gebruik dan een altijd een aardlekschakelaar (RDC).** Het gebruik van een aardlekschakelaar zal het risico op een elektrische schok verminderen.

### 3) Persoonlijke veiligheid

- Let altijd op en kijk goed uit wat u doet en gebruik uw verstand tijdens het werken met elektrisch gereedschap. Bedien het product niet wanneer u moe of onder invloed van alcohol of drugs bent.** Een ogenblik van onoplettendheid tijdens het werken met elektrische gereedschap kan ernstig persoonlijk letsel tot gevolg hebben.
- Gebruik persoonlijke beschermingsmiddelen. Draag altijd oogbescherming.** Beschermingsmiddelen zoals een stofmasker, antislip-veiligheidsschoenen, helm, of gehoorbescherming die voor de juiste omstandigheden worden gebruikt, zullen het risico op persoonlijk letsel verminderen.
- Voorkom onbedoeld starten. Controleer of de schakelaar in de stand Uit staat, voordat het gereedschap op de voeding of accu wordt aangesloten, wordt opgepakt of gedragen.** Het dragen van elektrische gereedschap met de vinger op de schakelaar of het inschakelen van elektrisch gereedschap met de schakelaar in de stand Aan, vraagt om ongelukken.
- Verwijder stelsleutels of moersleutels voordat u het elektrisch gereedschap inschakelt.** Een moersleutel of andere sleutel die op een draai-

end deel van het elektrisch gereedschap blijft zitten, kan persoonlijk letsel tot gevolg hebben.

- e) **Reik niet te ver. Blijf altijd stevig en in evenwicht staan.** Hierdoor hebt u in onverwachte situaties een betere controle over het elektrische gereedschap.
- f) **Draag de juiste kleding. Draag geen losse kleding of juwelen. Houd uw haar, kleding en handschoenen weg bij bewegende onderdelen.** Loszittende kleding, juwelen of lang haar kunnen door bewegende delen worden gegrepen.
- g) **Als het apparaat wordt geleverd met een aansluiting voor het afzuigen en verzamelen van stof, zorg er dan voor dat deze wordt aangesloten en juist gebruikt.** Het gebruik van het afzuigen en verzamelen van stof, kan de aan stof gerelateerde gevaren verminderen.
- h) **Denk niet dat u wel weet hoe het allemaal werkt, omdat u het gereedschap vaak gebruikt en dat u de veiligheidsbeginselen voor het gebruik van het gereedschap wel kunt negeren.** Een onbezonnen actie kan in een fractie van een seconde ernstig letsel tot gevolg hebben.

#### 4) Gebruik en onderhoud van elektrisch gereedschap

- a) **Forceer het elektrisch gereedschap niet. Gebruik het juiste elektrisch gereedschap voor uw werkzaamheden.** Het juiste elektrisch gereedschap klaart de klus beter en veiliger als deze hiervoor is ontworpen.
- b) **Gebruik het elektrisch gereedschap niet als de schakelaar het apparaat niet in- en uitschakelt.** Elk elektrisch gereedschap dat niet met de schakelaar kan worden bediend is gevaarlijk en moet worden gerepareerd.
- c) **Trek de stekker van het elektrische gereedschap uit het stopcontact en/of verwijder de accu voordat enige aanpassingen worden uitgevoerd, accessoires worden vervangen of elektrisch gereedschap wordt opgeborgen.** Dergelijke preventieve veiligheidsmaatregelen verminderen het risico op het onbedoeld starten van het elektrische gereedschap.
- d) **Berg ongebruikt elektrisch gereedschap buiten bereik van kinderen op en sta niet toe dat mensen die onbekend zijn met het elektrische gereedschap of deze instructies, met het elektrische gereedschap werken.** Elektrische gereedschap kan erg gevaarlijk zijn in de handen van ongetrainde gebruikers.

- e) **Onderhoud van elektrisch gereedschap. Controleer op scheve of klemmende bewegende onderdelen, kapotte onderdelen en enige andere omstandigheden die de werking van het elektrische gereedschap kunnen beïnvloeden. Als het elektrisch gereedschap een beschadiging of storing heeft, dient u het eerst te laten repareren.** Veel ongelukken worden veroorzaakt door slecht onderhouden elektrisch gereedschap.
  - f) **Houd snijgereedschap scherp en schoon.** Op de juiste manier onderhouden snij- of zaaggereedschap met scherpe snijranden hebben minder de neiging om beklemd te raken en zijn gemakkelijker te sturen.
  - g) **Gebruik het elektrische gereedschap, de accessoires, bits, enz. volgens deze instructies, rekening houdend met de werkomstandigheden en de uit te voeren werkzaamheden.** Gebruik van het elektrisch gereedschap voor andere werkzaamheden dan het bedoelde gebruik, kan een gevaarlijke situatie tot gevolg hebben.
  - h) **Houd handgrepen en greepoppervlakken droog, schoon en vrij van olie en vet.** Gladde handgrepen en greepoppervlakken maken veilig werken en controle over het gereedschap in onverwachte situaties onmogelijk.
- #### 5) Gebruik en onderhoud van de accu
- a) **Laad de accu uitsluitend op met de door de fabrikant opgegeven lader.** Een lader die geschikt is voor het ene type accu, kan een risico van brand veroorzaken, wanneer deze bij een andere accu wordt gebruikt.
  - b) **Gebruik elektrisch gereedschap alleen met de daarvoor specifiek aangewezen accu's.** Het gebruik van andere accu's kan een risico op letsel en/of brand tot gevolg hebben.
  - c) **Houd de accu, wanneer deze niet in gebruik is, weg bij metalen voorwerpen zoals paperclips, munten, sleutels, spijkers, schroeven, of andere kleine metalen voorwerpen die een verbinding tot stand kunnen brengen tussen de ene pool van de accu en de ander.** Kortsluiting tussen polen van de accu kan brandwonden of brand tot gevolg hebben.
  - d) **Wanneer de accu ruw wordt behandeld, kan vloeistof uit de accu komen; vermijd contact hiermee. Als dat per ongeluk toch gebeurt, spoel het aangedane gebied dan met water. Als de vloeistof in contact komt met de ogen, roep dan ook medische hulp in.** Vloeistof afkomstig uit de accu kan irritatie of brandwonden veroorzaken.

- e) **Gebruik geen accu of gereedschap dat is beschadigd of werd aangepast.** Beschadigde of gemodificeerde accu's kunnen onvoorspelbaar gedrag vertonen, wat brand, explosie of een risico van letsel met zich meebrengt.
- f) **Stel een accu of gereedschap niet bloot aan open vuur of een uitzonderlijk hoge temperatuur.** Blootstelling aan vuur of een temperatuur hoger dan 130 °C kan een explosie veroorzaken. **OPMERKING** De temperatuur van „130 °C“ kan worden vervangen door de temperatuur van „265 °F“.
- g) **Volg alle instructies voor het laden en laad de accu of het gereedschap niet op buiten het temperatuurbereik dat in de instructies wordt aangeduid.** Op een onjuiste wijze laden of laden bij temperaturen buiten het aangeduide bereik kan de accu beschadigen en het risico van brand doen toenemen.
- 6) Onderhoud**
- a) **Laat uw elektrisch gereedschap onderhouden door een gekwalificeerde reparateur die uitsluitend identieke vervangonderdelen gebruikt.** Dit waarborgt dat de veiligheid van het elektrisch gereedschap behouden blijft.
- b) **Voer nooit onderhoudswerkzaamheden uit aan beschadigde accu's.** Alleen de fabrikant of geautoriseerde serviceproviders mogen onderhoudswerkzaamheden aan accu's uitvoeren.

## VEILIGHEIDSWAARSCHUWINGEN VOOR DE UITSCHUIFBARE KETTINGZAAG

- a) **Houd alle lichaamsdelen weg bij de zaagketting.** Verwijder geen gemaaid materiaal en houd niet te maaien materiaal niet vast wanneer de kettingzaag in beweging is. Verzeker dat het apparaat is uitgeschakeld en de accu verwijderd is bij het verwijderen van materiaal dat vast zit. Een ogenblik van onoplettendheid tijdens het werken met de kettingzaag kan ernstig persoonlijk letsel tot gevolg hebben.
- b) **Houd het elektrisch gereedschap uitsluitend vast aan de geïsoleerde handgrepen, omdat de kettingzaag verborgen bedrading kan raken.** Kettingzagen die bedrading "onder spanning" raken, kunnen blootgestelde metalen delen van het product "onder spanning" zetten en de gebruiker een elektrische schok geven.
- c) **Blijf het product stevig met beide handen vasthouden en plaats uw lichaam en arm zodat u de kracht van terugslagen kunt weerstaan.** Terugslagen kunnen door de gebruiker opgevangen worden, wanneer de gepaste voorzorgsmaatregelen worden genomen. Laat de uitschuifbare kettingzaag niet los.
- d) **Let op voor terugslag tijdens het doorzagen van een tak.** Wanneer de tak aangesneden wordt, kan deze buigen en de kettingzaag blokkeren.
- e) **Draag de zaag uitgeschakeld, altijd met beide handen en de kettingzaagbescherming geplaatst.** Het goed hanteren van de kettingzaag zal de waarschijnlijkheid van onbedoeld contact met de bewegende kettingzaag verminderen.
- f) **Gebruik de uitschuifbare kettingzaag niet in een boom.** Het gebruiken van een uitschuifbare kettingzaag tijdens het klimmen of in een boom, kan persoonlijk letsel veroorzaken.
- g) **Zorg altijd voor een stabiele houding en gebruik de kettingzaag alleen wanneer u op een vast, stevig en vlak oppervlak staat.** Gladde of onstabiele oppervlakken, zoals ladders, kunnen leiden tot het verliezen van het evenwicht en het verliezen van de controle over de kettingzaag.
- h) **Volg de instructies voor smering, aanspannen van de ketting en het wijzigen van accessoires.** Een niet juist aanspannen of gesmeerde ketting kan breken of de kans op terugslag verhogen.
- i) **Houd handgrepen droog, schoon en vrij van olie en vet.** Vette, met olie besmeurde handgrepen zijn glibberig waardoor u de controle kunt verliezen.
- j) **Zaag alleen hout.** Gebruik de uitschuifbare kettingzaag niet voor doeleinden waarvoor deze niet bedoeld is. Voorbeeld: gebruik de kettingzaag niet voor het zagen van kunststof, metselwerk of andere niet houten bouwmaterialen. De uitschuifbare kettingzaag gebruiken voor andere werkzaamheden dan het bedoelde gebruik, kan leiden tot een gevaarlijke situatie.
- k) **Oorzaken van en door de gebruiker voorkomen van terugslag:**
- Terugslag kan voorkomen wanneer de neus of tip van de geleidingsstang een voorwerp raakt of wanneer het hout dichter komt en de kettingzaag in de zaagsnede knijpt.
  - Het raken van de tip kan in bepaalde gevallen een plotse omgekeerde reactie veroorzaken, waardoor de geleidingsstang omhoog en in de richting van de gebruiker springt.
  - De zaag vastzetten langs de bovenkant van de geleidingsstang kan de geleidingsstang snel in de richting van de gebruiker duwen.

Deze reacties kunnen leiden tot het verliezen van de controle over de uitschuifbare kettingzaag, met mogelijk ernstig persoonlijk letsel tot gevolg. Als gebruiker van een kettingzaag, moet u verschillende stappen ondernemen om uw zaagwerkzaamheden zonder ongevallen of letsels uit te voeren.

**Terugslag is het gevolg van onjuist of ongepast gebruik van het product. Terugslag kan worden vermeden door gepaste maatregelen te nemen, zoals deze hieronder.**

- l) **Gebruik alleen vervangzaagkettingen die door de fabrikant opgegeven worden.** Onjuiste zaagkettingen kunnen breken van de ketting of terugslag veroorzaken.
- m) **Raadpleeg uw dealer, als de stang beschadigd is en vervangen moet worden.**
- n) **Om onbedoeld gebruik van de kettingzaag te voorkomen, is deze kettingzaag uitgerust met een schakelaar met mechanische vergrendeling.** Om de kettingzaag te gebruiken, moet de vergrendelkop ingedrukt worden voordat de kettingzaag kan werken.
  - Gebruik het product niet zonder de vergrendelknop in te drukken.
  - Gebruik dit gereedschap niet met één hand. Houd het product stevig vast met beide handen; een hand om het product stevig vast te houden en de andere hand om de aan/uit-schakelaar te bedienen.
- o) **Laat nooit kinderen of mensen met een fysieke, sensorische of mentale beperking of mensen met een gebrek aan ervaring en/of kennis en/of mensen die deze instructies niet kennen, deze machine gebruiken.** Ter plaatse geldende voorschriften kunnen een beperking van de leeftijd van de gebruiker inhouden.
- p) **Kinderen moeten onder toezicht staan om te verzekeren dat ze niet kunnen spelen met de machine.**
- q) **Als de uitschuifbare kettingzaag niet wordt gebruikt, dient deze buiten bereik van kinderen opgeborgen te worden.**
- r) **Controleer de werkplek voor gebruik en verwijder alle mogelijke gevaren.**
- s) **Zet de machine altijd pas neer wanneer deze volledig tot stilstand is gekomen en verwijder de accu.** De kettingzaag kan blokkeren of een terugslag geven en dat kan tot verlies van de controle over de machine.

- t) **Schakel de kettingzaag uit wanneer u van werkpositie wijzigt.**
- u) **Een gezaagde tak kan letsel veroorzaken door op u te vallen of door van de grond te springen.** Zaag langere takken in stukken.
- v) **Verlaag de kracht voordat de tak volledig afgezaagd wordt.** U kunt gekwetst raken wanneer u uw evenwicht en de controle over de kettingzaag verliest.
- w) **Hang het product niet in een boom wanneer u het niet gebruikt.** Plaats het gereedschap altijd op de grond, op een veilige plaats zonder de accu te verwijderen.

#### **AANVULLENDE VEILIGHEIDSWAARSCHUWINGEN**

- a) **Dit gereedschap is niet bedoeld voor gebruik door personen (waaronder kinderen) met verminderde fysieke, zintuiglijke of psychische vermogens of een gebrek aan kennis of ervaring,** tenzij ze onder toezicht staan of instructies krijgen over het gebruik van het apparaat van iemand die verantwoordelijk is voor hun veiligheid. Kinderen moeten onder toezicht staan zodat zij beslist niet met het apparaat kunnen spelen.
- b) **Houd het elektrische gereedschap tijdens de werkzaamheden stevig met beide handen vast en zorg ervoor dat u stevig staat.** Het elektrische gereedschap wordt met twee handen veiliger geleid.
- c) **Controleer altijd dat alle handgrepen en beschermkappen zijn gemonteerd wanneer u het apparaat gebruikt.** Probeer nooit om een onvolledig apparaat of een apparaat dat zonder goedkeuring aangepast werd te gebruiken.
- d) **Smeer de kettingzaag altijd met beschermende spray vóór gebruik.**
- e) **Zet de machine altijd pas neer wanneer deze volledig tot stilstand is gekomen.**
- f) **Andere personen en dieren moeten op een afstand van 3 meter blijven wanneer de machine in gebruik is.** De bediener is verantwoordelijk voor derden op de werkplek.
- g) **Grijp de zaagketting nooit vast.**
- h) **Kinderen of personen die niet vertrouwd zijn met deze instructies, mogen de kettingzaag niet gebruiken.** Ter plaatse geldende voorschriften kunnen een beperking van de leeftijd van de gebruiker inhouden.

- i) **De gebruiker is aansprakelijk voor ongelukken en gevaarlijke situaties die van invloed zijn op andere mensen of hun bezittingen.**
- j) **Gebruik de kettingzaag nooit op blote voeten of met open sandalen, draag altijd geschikte schoenen en een lange broek.** Het gebruik van stevige handschoenen, antislip-schoeisel en een veiligheidsbril wordt aanbevolen. Draag geen losse kleding of juwelen die in bewegende delen verstrengeld kan raken.
- k) **Inspecteer het gebied waar de kettingzaag gebruikt gaat worden grondig en verwijder alle draden en andere vreemde voorwerpen.**
- l) **Controleer vóór gebruik de zaagketting, stang en bouten op slijtage en beschadiging.** Niet gebruiken met een beschadigd of overmatig versleten kettingzaag.
- m) **Weet hoe u de kettingzaag snel moet stoppen bij een noodgeval.**
- n) **Gebruik de kettingzaag uitsluitend bij daglicht of goed kunstlicht.**
- o) **Gebruik de kettingzaag nooit met defecte beschermkappen of zonder de kappen.**
- q) **Houd de kettingzaag nooit vast aan de beschermkap.**
- q) **Zorg er tijdens het gebruiken van de uitschuifbare kettingzaag voor dat u altijd stevig en in evenwicht staat.**
- r) **Wees u altijd bewust van uw omgeving en blijf alert voor mogelijke gevaren die u mogelijk niet hoort tijdens het gebruiken van de kettingzaag.**
- s) **Let erop dat alle moeren, bouten en schroeven goed vastzitten zodat u zeker weet dat de kettingzaag altijd in goed werkende staat is.**
- t) **De uitschuifbare kettingzaag moet worden bewaard op een droge, hoge of vergrendelde plaats, buiten het bereik van kinderen.**
- u) **Vervang voor uw veiligheid versleten of beschadigde onderdelen.**
- v) **Probeer niet om de machine te repareren, tenzij u daarvoor gekwalificeerd bent.**
- w) **Houd het product stevig vast met beide handen.**

#### VEILIGHEIDSWAARSCHUWINGEN VOOR DE ACCU

- a) **Open de accu niet.** Risico op kortsluiting.
- b) **Bescherm de accu tegen hitte, bijv. continu intens zonlicht, vuur, water en vocht.** Gevaar voor ontploffing.
- c) **In geval van beschadiging en verkeerd gebruik van de accu kunnen dampen vrijkomen.** Ventileer de omgeving en zoek medische hulp

**in geval van klachten.** De dampen kunnen tot irritatie van de luchtwegen leiden.

- d) **Gebruik de accu alleen in combinatie met uw Vonroc-product.** Deze maatregel beschermt de accu tegen gevaarlijke overbelasting.
- e) **De accu kan beschadigd raken door puntige voorwerpen zoals spijkers of schroevendraaiers of door geweld van buitenaf.** Er kan interne kortsluiting optreden en de accu kan gaan branden, roken, exploderen of oververhit raken.

#### VEILIGHEIDSWAARSCHUWINGEN VOOR DE LADER

##### Bedoeld gebruik

Uitsluitend CD801AA en CD803AA-type oplaadbare accu's met de lader opladen. Alle andere accu's kunnen openbarsten waardoor persoonlijk letsel en materiële schade ontstaat.

- a) **Het apparaat mag niet worden gebruikt door personen (inclusief kinderen) met verminderde fysieke, zintuiglijke of psychische vermogens, of met een gebrek aan ervaring en kennis, tenzij zij onder toezicht staan of instructies hebben gekregen.**
- b) **Kinderen die onder toezicht staan mogen niet met het apparaat spelen.**
- c) **Nooit niet-oplaadbare accu's opladen!**
- d) **Tijdens het opladen moeten de accu's in een goed geventileerde ruimte worden geplaatst!**

##### Elektrische veiligheid



*Controleer altijd of de stroomvoorziening overeenkomt met de spanning die wordt vermeld op het typeplaatje.*

- Gebruik het apparaat niet als het netsnoer of de stekker van het netsnoer is beschadigd.
- Gebruik alleen verlengkabels die geschikt zijn voor het vermogen van het apparaat met een minimale dikte van 1,5 mm<sup>2</sup>. Als u een verlengkabel op een katrol gebruikt, dient deze te allen tijde volledig afgerold te zijn.

## 2. INFORMATIE OVER HET APPARAAT

##### Bedoeld gebruik

De machine is bedoeld voor huishoudelijk gebruik, voor het snoeien van bomen en struiken op hoogte, terwijl de gebruiker op de grond staat. De machine is niet bedoeld om te worden gebruikt op een ladder of opstapje. De machine is niet ontworpen

voor het zagen van niet organisch materiaal. Dit gereedschap is niet bedoeld voor commercieel of industrieel gebruik.

### TECHNISCHE SPECIFICATIES



*Deze gebruiksaanwijzing is opgesteld voor verschillende sets / artikelnummers. Controleer het bijbehorende artikelnummer in de onderstaande specificaties voor de juiste samenstelling en inhoud van uw set.*

Modelnr.	Accu's meegeleverd	Laders meegeleverd
<b>CS504DC</b>	-	-
<b>S_CS504DC</b>	CD801AA	CD802AA
<b>S2_CS504DC</b>	2 x CD801AA	CD802AA
<b>S3_CS504DC</b>	CD803AA	CD802AA

Informatie over het apparaat	
Spanning	20V
Snelheid van de ketting	5 m/s
Lengte van de kettingstang	200 mm
Lengte van de ketting	44 T
Steek van de ketting	1/4"
Kettingbegrenzer	0,043"
Lengte-aanpassing	200 - 260cm
Geluidsdruk niveau (LpA)	78,2dB k=3 dB
Geluidsdruk niveau (LWA)	88 dB(A), K=3 dB(A)
Gegarandeerd LWA	91 dB
Trillingen	voorste handgreep $a_h=2,74 \text{ m/s}^2$ achterste handgreep $a_h=2,69 \text{ m/s}^2$ K=1,5 $\text{m/s}^2$
Gewicht	2,3 kg

Modelnr.	CD801AA
Type accu	Lithium-ion
Spanning	20V
Vermogen	2.0 Ah
Aanbevolen lader	CD802AA
Gewicht	0,3 kg

Modelnr.	CD802AA
Ingang lader	220-240V, 50Hz 0.4A
Uitgang lader	21V  2.5A
Laadtijd 2Ah accu	60 minuten
Laadtijd 4Ah accu	120 minuten
Aanbevolen accu's	CD801AA, CD803AA
Gewicht	0,36 kg

Modelnr.	CD803AA
Type accu	Lithium-ion
Spanning	20V
Vermogen	4.0 Ah
Aanbevolen lader	CD802AA
Gewicht	0,65 kg

Gebruik uitsluitend de volgende accu's van het VONROC VPOWER 20 V accu-platform. Gebruik van andere accu's kan leiden tot ernstig letsel of tot beschadiging van het gereedschap.  
 CD801AA 20 V, 2 Ah Lithium-ion  
 CD803AA 20 V, 4 Ah Lithium-ion

De volgende lader kan worden gebruikt voor het opladen van deze accu's.  
 CD802AA Snellader

De accu's van het VONROC POWER 20V accu-platform kunnen worden gewisseld tussen alle gereedschappen van het VONROC VPOWER 20V accu-platform.

### BESCHRIJVING

De nummers in de tekst verwijzen naar de afbeeldingen op pagina's 2-5.

1. Kop van de kettingzaag
2. Knop voor kopaanpassing
3. Vergrendelring kop
4. Zaagketting
5. Stang van de kettingzaag
6. Dop oliereservoir
7. Handgreep vergrendelhendel
8. Aan-/uitschakelaar
9. Uitschuifbare handgreep
10. Voedingsaansluiting
11. Schouderriem
12. Karabijnhaak
13. Kettingafdekking

14. Accu
15. Acculader
16. Vrijgaveknop accu
17. Knop LED-indicatielampjes accu
18. LED-indicatielampjes accu
19. LED-indicatielampjes lader

### 3. MONTAGE



Verwijder de accu uit het elektrisch gereedschap vóór het uitvoeren van werkzaamheden (onderhoud, vervangen van gereedschap, montage).



De accu moet voor het eerste gebruik worden opgeladen.

#### De accu in de machine plaatsen (Afb. B-1)

Controleer of de buitenzijde van de accu schoon en droog is voordat u de accu in de lader of de machine steekt.

1. Steek de accu (14) in de voet van het apparaat, zoals wordt weergegeven in Afb. B-1.
2. Duw de accu verder naar voren totdat deze op z'n plaats klikt.

#### De accu uit de machine nemen (Afb. B-1)

1. Duw op de vrijgaveknop (16) van de accu.
2. Haal de accu uit de machine, zoals wordt weergegeven in Afb. B-1.

#### De laadstatus van de accu controleren (Afb. B-2)

- U kunt de laadstatus van de accu controleren door kort op de knop (17) op de accu te drukken.
- De accu heeft 3 indicatielampjes die de laadstatus aanduiden, hoe meer lampjes branden, des te meer lading de accu nog heeft.
- Wanneer de lampjes niet branden, betekent dit dat de accu leeg is en de accu onmiddellijk moet worden opgeladen.

#### De accu opladen met de lader (Afb. B-2)

1. Neem de accu (14) uit de machine.
2. Draai de accu (14) ondersteboven en schuif de accu in de lader (15), zoals wordt weergegeven op Afb. B-2.
3. Duw de accu aan tot deze geheel in de sleuf is geduwd.
4. Steek de stekker van de lader in een stopcontact en wacht een ogenblik. Het LED-indicatielampje op de lader (19) zal gaan branden en geeft de laadstatus aan.

#### De lader heeft 2 LED-indicatielampjes (19) die de status van het laadproces aangeven:

Rood LED Status	Groen LED Status	Lader - Status
Uit	Uit	Geen voeding
Uit	Aan	Stand-bymodus: - Geen accu geplaatst, of: - Accu is geplaatst, laden is voltooid
Aan	Uit	Bezig met het laden van de accu

- Het volledig opladen van de 2Ah-accu kan tot 60 minuten in beslag nemen.
- Het volledig opladen van de 4Ah accu kan tot 120 minuten in beslag nemen.

Als de accu volledig is geladen, trekt u de stekker van de lader uit het stopcontact en neemt u de accu uit de lader.



Wanneer het apparaat gedurende langere tijd niet wordt gebruikt, kunt u de accu het beste in geladen toestand opbergen.

#### Gereedschap monteren (Afb. C, D)

- Bevestig de schouderriem (11) op de lus op de handgreep (9) met de karabijnhaak (12).
- Zet de vergrendelring van de kop (3) los door deze linksom te draaien. Haal de ring niet volledig van de kop.
- Plaats de kop van de kettingzaag (1) op de uitschuifbare handgreep (9) door de voedingsaansluiting (10) in de kop te plaatsen.
- Als de aansluiting (10) niet goed geplaatst is, is er mogelijk geen elektrische verbinding en zal het gereedschap niet werken. Zorg ervoor dat de voedingsaansluiting volledig in de kop van de kettingzaag steekt. De schroef (20) op de handgreep moet worden bedekt door de kop van de kettingzaag (1) en de vergrendelring (3).
- Zet de kop van de kettingzaag (1) vast door de vergrendelring (3) rechtsom te draaien



Maak de riem nooit diagonaal over de schouders en borst vast, plaats deze op een van de schouders. Op deze manier kunt u het gereedschap snel van uw lichaam halen in geval van gevaar.

**De uitschuifhoogte aanpassen (Afb. E-1, E-2)**

- Ontgrendel de hendel (7) om de uitschuifbare handgreep (9) los te maken.
- Schuif de uitschuifbare handgreep (9) uit of trek deze in tot de gewenste lengte.
- Zet de uitschuifbare handgreep vast door de hendel (7) te vergrendelen.

**Pas de draaiende kop van de kettingzaag aan (Afb. F-1, F-2)**

- Druk op de knop (2) op de zijkant van de kop (1) van de kettingzaag.
- Draai de kop in de gewenste stand.
- Geef de knop (2) vrij en zorg ervoor dat de kop op zijn plaats vergrendeld is.

**4. WERKING****Vóór gebruik (Afb. G)**

Verwijder de beschermkap van de ketting (13) en controleer het oliepeil in het reservoir (6). Gebruik de zaag niet met een leeg oliereservoir. Gebruik alleen biologisch afbreekbare kettingzaagolie. Controleer of de ketting (4) juist is aangespannen. De ketting is juist aangespannen wanneer deze ongeveer 2-3 mm met de hand kan opgetild worden in het midden van de stang (5).

**In- en uitschakelen**

Houd de uitschuifbare kettingzaag altijd vast met beide handen. Plaats één hand op de uitschuifbare handgreep (9) en één hand op de achterste handgreep naast de aan-/uitschakelaar. Houd de aan-/uitschakelaar (8) ingedrukt om de machine te bedienen. Wanneer de aan-/uitschakelaar wordt losgelaten, zal de machine automatisch stoppen.

**Tijdens gebruik**

Breng de ketting op snelheid voordat u contact maakt met het hout. Forceer de kettingzaag niet tijdens het zagen. Houd de machine op een constante snelheid en laat de ketting het werk doen. Controleer regelmatig het oliepeil in het reservoir, vul het reservoir bij voordat het volledig leeg raakt. Bij het zagen van grote/ lange takken, wordt afzagen in stukken aanbevolen.

**Na gebruik**

Veeg stof en vuil van de ketting (4) met een borstel of doek. Plaats de beschermkap (13) van de ketting en verwijder de accu (14) voordat u de machine op-

bergt. Om het lekken van olie te voorkomen tijdens opslag, moet u resterende olie in het reservoir (6) aflaten in een geschikte container.

**5. ONDERHOUD**

*Voorafgaand aan het reinigen en het onderhoud dient de machine te allen tijde uitgeschakeld te worden en moet de stekker uit het stopcontact worden genomen.*

Maak de behuizing van het apparaat regelmatig schoon met een zachte doek, bij voorkeur na ieder gebruik. Controleer of de ventilatieopeningen vrij zijn van stof en vuil. Verwijder hardnekkig vuil met een zachte doek vochtig gemaakt met een zeepoplossing. Gebruik geen oplosmiddelen zoals benzine, alcohol, ammoniak, enz. Chemicaliën zoals deze zullen de synthetische onderdelen van de machine beschadigen.

**De spanning van de zaagketting aanpassen (Afb. H)**

Normale slijtage zal ervoor zorgen dat de ketting traag uitrekt na verloop van tijd. De kettingzaag is uitgerust met een spanmechanisme om dit uitrekken te compenseren. Draai de bout (21) voor het aanspannen van de ketting op de voorkant van de machine, om de spanning van de ketting aan te passen. De ketting (4) is juist aangespannen wanneer deze ongeveer 2-3 mm met de hand kan opgetild worden in het midden van de stang (5). Wanneer het spanmechanisme het uitrekken niet langer volledig kan compenseren, is de ketting versleten en moet deze vervangen worden.

**De zaagketting vervangen (Afb. H)**

1. Draai de schroef (22) los en verwijder de afdekking (23).
2. Verwijder de ketting (4) en de stang (5) van de kettingzaag. Gooi de oude ketting weg.
3. Plaats de nieuwe ketting rond de kettingstang. Verzeker dat de nieuwe ketting de juiste maat heeft en controleer de juiste draairichting van de ketting.
4. Plaats de ketting over het aandrijftandwiel en plaats de stang van de ketting opnieuw.
5. Zorg ervoor dat alle onderdelen goed op hun plaats zitten en plaats de beschermkap (23) en zet de schroef (22) vast.
6. Controleer de kettingspanning en pas deze aan indien nodig.



**Opslag**

De uitschuifbare kettingzaag moet op een veilige droge plaats worden opgeborgen, goed buiten bereik van kinderen. Plaats er geen andere voorwerpen bovenop. Merk op dat er een klein ontluhtingskanaal is in de dop (6) van het oliereservoir.

De machine moet horizontaal bewaard worden, met de dop van het reservoir helemaal bovenaan, om te voorkomen dat er olie lekt via de ontluhting in de dop. Als de machine in een andere positie bewaard moet worden, moet de olie uit het reservoir gelaten worden, in een geschikte container, om lekken van olie tijdens opslag te voorkomen.

**MILIEU**

*Niet goed functionerende en/of afgedankte elektrische of elektronische apparaten moeten bij de juiste inzamelpunten voor recycling worden aangeboden.*

**Alleen voor landen in de EG**

Gooi geen elektrisch gereedschap bij het huisvuil. Volgens de Europese richtlijnen 2012/19/EC betreffende afgedankte elektrische en elektronische apparatuur en de implementatie hiervan in nationaal recht, moeten elektrische gereedschappen die niet langer gebruikt worden apart ingezameld en weggegooid worden op een milieuvriendelijke manier.

**GARANTIE**

Producten van VONROC worden op basis van de hoogste kwaliteitsnormen ontwikkeld en zijn gegarandeerd vrij van defecten, zowel voor wat betreft het materiaal als de afwerking, gedurende de door de wet bepaalde periode, startend vanaf de datum van de originele aankoop. Mocht het product gedurende deze periode enige storingen vertonen als gevolg van gebrekkig materiaal en/of gebrekkige afwerking, dient direct contact met VONROC opgenomen te worden.

De volgende omstandigheden zijn uitgesloten van de garantie:

- Reparatie en/of wijzigingen die door en niet erkend servicecentrum aan de machine werd/ werden aangebracht of waartoe een poging werd ondernomen;

- Normale slijtage;
- Het gereedschap werd misbruikt, verkeerd werd gebruikt en/of onjuist werd onderhouden;
- Niet-originele reserveonderdelen werden gebruikt.

Dit betreft de enige garantie die door de organisatie, impliciet of expliciet, wordt aangeboden. Geen andere garanties, impliciet noch expliciet, die verder strekken dan deze garantie, inclusief de impliciete garanties inzake de verkoopbaarheid en geschiktheid voor een specifiek doel. In geen geval zal VONROC aansprakelijk zijn voor incidentele schade of gevolgschade. De oplossingen van de dealers zullen beperkt zijn tot de reparatie of het vervangen van niet-conforme eenheden of onderdelen.

**Het product en de gebruiksaanwijzing kunnen worden gewijzigd. Specificaties kunnen zonder voorafgaande kennisgeving worden gewijzigd.**

## 1. CONSIGNES DE SÉCURITÉ

Veillez à lire les avertissements de sécurité, les avertissements supplémentaires de sécurité ainsi que toutes les instructions jointes. Le non-respect des avertissements de sécurité et des consignes peut entraîner des décharges électriques, des incendies et/ou de graves blessures. Conservez tous les avertissements et toutes les instructions liées à la sécurité afin de pouvoir vous y référer dans le futur.

Les symboles qui suivent sont utilisés dans la notice ou sur le produit :



Veillez à lire la notice d'utilisation.



Indique un risque de blessure, de décès ou de détérioration de l'outil en cas de non-respect des consignes de la présente notice.



Risque de décharge électrique.



Température maxi 45°C.



Ne jetez pas la batterie au feu.



Ne jetez pas la batterie dans l'eau.



Portez un casque pour protéger votre tête.



Portez des lunettes de protection.



N'exposez pas l'équipement à la pluie.



Gardez vos mains loin de la lame.



Attention à la projection d'objets. Gardez à distance les éventuelles personnes à proximité.



Tenez le produit à l'écart des lignes à haute tension !



À une distance minimum de 10 mètres.



Appareil de classe II. Double isolation, aucune prise de terre n'est nécessaire.



Fusible miniature avec temporisateur.



Recyclez la batterie Li-Ion.



Ne jetez pas le produit de façon inappropriée.



Le produit est conforme aux normes de sécurité en vigueur des directives européennes.

### AVERTISSEMENTS DE SÉCURITÉ GÉNÉRALE PROPRES AUX OUTILS ÉLECTRIQUES



**AVERTISSEMENT !** Veillez à lire tous les avertissements sur la sécurité et toutes les instructions. Le non-respect des avertissements et des instructions peut entraîner des décharges électriques, des incendies et/ou de graves blessures.

**Conservez tous les avertissements et toutes les instructions afin de pouvoir vous y référer dans le futur.**

Le terme "outil électrique" mentionné dans les avertissements fait référence à vos outils électriques branchés sur secteur (avec câble) ou fonctionnant sur pile ou batterie (sans fil).

#### 1) Sécurité de la zone de travail

- a) **Maintenez la zone de travail propre et bien éclairée.** Les zones sombres ou encombrées sont propices aux accidents.
- b) **N'utilisez pas d'outils électriques dans un environnement présentant des risques d'explosion ou en présence de liquides, gaz ou poussières inflammables.** Les outils électriques créent des étincelles qui peuvent enflammer les poussières et les fumées.
- c) **Maintenez les enfants et les autres personnes éloignés lorsqu'un outil électrique est en marche.** Toute distraction peut vous faire perdre le contrôle de l'outil.

#### 2) Sécurité électrique

- a) **Les prises des outils électriques doivent correspondre à la prise de courant murale. Ne modifiez jamais la prise d'aucune sorte. N'utilisez aucun adaptateur avec des outils électriques reliés à la terre.** L'utilisation de prises d'origine non modifiées et de prises murales appropriées permet de réduire le risque de décharge électrique.
- b) **Évitez tout contact physique avec des surfaces reliées à la terre comme des tuyaux, des**

**radiateurs, des fours et des réfrigérateurs par exemple.** Le risque de décharge électrique augmente lorsque votre corps est relié à la terre.

- c) **N'exposez pas les outils électriques à la pluie, ni à l'humidité.** Le risque de décharge électrique augmente si de l'eau pénètre dans un outil électrique.
- d) **Ne tirez pas sur le cordon d'alimentation. N'utilisez jamais le cordon pour transporter, tirer ou débrancher l'outil électrique. Maintenez le cordon à l'écart de la chaleur, des substances grasses, des bords tranchants ou des pièces mobiles.** Les cordons endommagés ou emmêlés augmentent les risques de décharges électriques.
- e) **Si vous utilisez un outil électrique à l'extérieur, utilisez une rallonge homologuée pour les travaux à l'extérieur.** L'utilisation d'une rallonge électrique homologuée pour les travaux à l'extérieur réduit le risque de décharge électrique.
- f) **Si l'utilisation d'un outil électrique dans un endroit humide est inévitable, utilisez une alimentation électrique protégée par un disjoncteur différentiel à courant résiduel (DDR).** L'utilisation d'un DDR réduit le risque de décharge électrique.

### 3) Sécurité des personnes

- a) **Restez vigilant, surveillez ce que vous faites et faites preuve de bon sens lorsque vous utilisez un outil électrique. N'utilisez pas d'outils si vous êtes fatigué ou sous l'influence de drogue, d'alcool ou de médicaments.** Tout moment d'inattention pendant l'utilisation d'un outil électrique peut engendrer de graves blessures.
- b) **Portez des équipements de protection individuelle. Veillez à toujours porter une protection oculaire.** Les équipements de protection comme les masques à poussière, les chaussures de sécurité antidérapantes, les casques ou les protections auditives réduisent le risque de blessures s'ils sont utilisés à bon escient.
- c) **Empêchez tout démarrage intempestif. Veillez à ce l'interrupteur soit sur la position Arrêt avant de raccorder l'outil à l'alimentation électrique et/ou au bloc-batterie ou avant de ramasser ou de transporter l'outil.** Transportez des outils électriques avec votre doigt sur la gâchette ou alimenter les outils électriques qui ont une gâchette favorise les accidents.
- d) **Retirez toutes les clés ou pinces de réglage avant de mettre l'outil en marche.** Une clé ou

une pince restée fixée sur une pièce rotative de l'outil électrique peut engendrer des blessures.

- e) **Ne vous penchez pas. Gardez les pieds bien ancrés au sol et conservez votre équilibre en permanence.** Cela permet de mieux maîtriser l'outil électrique en cas de situations imprévues.
- f) **Portez des vêtements appropriés. Ne portez aucuns vêtements amples, ni bijoux. Gardez vos cheveux, vos vêtements et vos gants éloignés des pièces mobiles.** Les vêtements amples, les bijoux ou les cheveux longs peuvent être happés par les pièces mobiles.
- g) **Si vous disposez de dispositifs pour le raccordement d'un extracteur de poussière ou d'installations pour la récupération, assurez-vous qu'ils sont correctement raccordés et utilisés.** L'utilisation de dispositifs récupérateurs de poussière peut réduire les risques liés aux poussières.
- h) **Ne pensez pas être familiarisé avec l'outil après l'avoir utilisé à de nombreuses reprises, au point de ne plus rester vigilant et d'en oublier les consignes de sécurité.** Toute action imprudente peut engendrer de graves blessures en une fraction de seconde.

### 4) Utiliser et entretenir un outil électrique

- a) **Ne forcez pas sur l'outil. Utilisez le bon outil électrique, adapté pour le travail à réaliser.** Un outil adapté fonctionne mieux, de façon plus sûre et à la cadence pour laquelle il a été conçu.
- b) **N'utilisez pas l'outil électrique si l'interrupteur ne permet plus de le mettre en marche et de l'éteindre.** Tout outil électrique qui ne peut plus être commandé par son interrupteur est dangereux et il doit être réparé.
- c) **Débranchez la prise de courant et/ou retirez ou retirez le bloc-batterie de l'outil électrique avant d'effectuer tout réglage, de changer un accessoire ou de ranger l'outil électrique.** Ces mesures de sécurité préventives réduisent le risque de démarrage accidentel de l'outil électrique.
- d) **Rangez les outils électriques non utilisés hors de portée des enfants et ne laissez aucune personne ne connaissant pas ces outils ou ces consignes les faire fonctionner.** Les outils électriques peuvent être dangereux entre des mains inexpérimentées.
- e) **Veillez à bien entretenir vos outils électriques.**

- Vérifiez que les pièces mobiles sont alignées correctement et qu'elles ne sont pas coincées. Vérifiez qu'aucune pièce n'est cassée et contrôlez l'absence de toute autre condition qui pourrait nuire au bon fonctionnement de l'outil. En cas de dommage, faites réparer l'outil électrique avant de le réutiliser.** De nombreux accidents sont provoqués par des outils électriques mal entretenus.
- f) **Maintenez les organes de coupe affûtés et propres.** Des organes de coupe bien entretenus et dont le tranchant est affûté sont moins susceptibles de rester coincés et ils sont plus faciles à contrôler.
- g) **Utilisez les outils électriques, les accessoires et les embouts d'outil conformément à ces instructions, en tenant compte des conditions de travail, ainsi que du travail à effectuer.** L'utilisation d'un outil électrique à d'autres fins que celles pour lesquelles il a été prévu peut entraîner des situations dangereuses.
- h) **Gardez les poignées et les surfaces de préhension sèches, propres et sans trace d'huile et de graisse.** Des poignées et des surfaces de préhension glissantes ne permettent pas de manipuler et de contrôler l'outil correctement en cas de situations inattendues.
- 5) **Utiliser et entretenir des outils fonctionnant sur batterie**
- a) **Veillez à n'effectuer la recharge qu'à l'aide du chargeur spécifié par le fabricant.** Un chargeur adapté pour un type de bloc-batterie peut engendrer un risque d'incendie s'il est utilisé avec un bloc-batterie différent.
- b) **N'utilisez les outils électriques qu'avec les blocs-batteries qui leur sont dédiés.** L'utilisation d'autres blocs-batteries peut créer un risque de blessures et d'incendie.
- c) **Lorsque le bloc-batterie n'est pas utilisé, éloignez-le des objets métalliques comme les trombones, les pièces de monnaie, les clés, les clous, les vis ou les autres petits objets qui pourraient créer un contact entre les deux bornes.** La mise en court-circuit des bornes d'une batterie peut provoquer des brûlures ou un incendie.
- d) **Dans des conditions extrêmes, du liquide peut être éjecté de la batterie. Évitez tout contact. En cas de contact accidentel, rincez à l'eau. En cas de contact avec les yeux, consultez en plus un médecin.** Le liquide sortant de la batterie peut provoquer des irritations ou des brûlures.
- e) **N'utilisez pas un bloc-batterie ou un outil endommagé ou qui a été modifié.** Un bloc-batterie endommagé ou modifié peut avoir un comportement imprévisible qui peut entraîner un incendie, une explosion ou à un risque de blessure.
- f) **N'exposez pas le bloc-batterie ou l'outil au feu ou à des températures excessives.** L'exposition au feu ou à des températures dépassant 130 °C peut provoquer une explosion. REMARQUE La température de "130 °C" équivaut à la température de "265 °F".
- g) **Respectez toutes les instructions liées à la charge et ne rechargez pas le bloc-batterie ou l'outil en dehors de la plage de températures spécifiée dans les instructions.** Une charge mal effectuée ou à des températures hors de la plage spécifiée peut endommager le bloc-batterie et augmenter le risque d'incendie.
- 6) **Service**
- a) **Ne faites réviser/réparer votre outil électrique que par un réparateur qualifié qui n'utilise que des pièces détachées d'origine.** Cela permet de garantir la sûreté de l'outil électrique.
- b) **Ne réparez jamais des blocs-batteries endommagés.** Les réparations sur les blocs-batteries ne doivent être effectuées que par le fabricant ou l'un de ses prestataires de services agréés.
- AVERTISSEMENTS DE SÉCURITÉ PROPRES À LA TRONÇONNEUSE TÉLESCOPIQUE**
- a) **Gardez toutes les parties de votre corps loin de la chaîne de la tronçonneuse.** Ne retirez pas les chutes et ne tenez pas les éléments à couper lorsque la chaîne est en mouvement. Veillez à bien éteindre l'outil et à en retirer la batterie avant de supprimer un quelconque bourrage. Tout moment d'inattention pendant l'utilisation de la tronçonneuse peut entraîner de graves blessures.
- b) **Ne tenez l'outil électrique que par ses surfaces de préhension isolées car il est possible que la chaîne entre en contact avec des fils cachés.** Tout contact d'une chaîne de tronçonneuse avec un fil sous tension peut mettre les parties métalliques exposées du produit sous tension et provoquer une décharge électrique à l'utilisateur.

- c) **Maintenez fermement la tronçonneuse à deux mains et placez votre corps et vos bras de manière à pouvoir résister à la force d'un rebond.** L'utilisateur est en mesure de maîtriser la force d'un rebond en prenant des précautions adaptées. Ne lâchez pas la tronçonneuse télescopique.
- d) **Restez attentif à la possibilité d'un rebond quand vous sciez une branche.** À l'entame de la branche, il est possible que cette dernière plie et qu'elle coince la chaîne.
- e) **Ne transportez la tronçonneuse qu'après l'avoir éteinte, à deux mains et avec le fourreau en place.** La manipulation appropriée de la tronçonneuse réduit les risques de contact accidentel avec la chaîne en mouvement.
- f) **N'utilisez pas la tronçonneuse télescopique grimpé dans un arbre.** L'utilisation de la tronçonneuse télescopique en grimpant ou déjà monté dans un arbre peut entraîner de graves blessures.
- g) **Veillez à toujours adopter une posture stable et à n'utiliser la tronçonneuse qu'à condition d'être sur une surface fixe, sécurisée et de niveau.** Les surfaces glissantes ou instables, comme les échelles, peuvent provoquer une perte d'équilibre ou la perte de contrôle de la tronçonneuse.
- h) **Respectez les instructions liées à la lubrification, à la tension de la chaîne et au remplacement des accessoires.** La mauvaise tension ou lubrification de la chaîne peut faire casser cette dernière ou augmenter le risque de rebonds.
- i) **Veillez à garder les poignées sèches et propres, exemptes d'huile ou de graisse.** Si les poignées sont grasses ou huileuses elles deviennent glissantes et entraîne une perte de contrôle.
- j) **Veillez à ne scier que du bois.** N'utilisez pas la tronçonneuse télescopique à des fins autres que celles auxquelles elle est destinée. N'utilisez par exemple pas la tronçonneuse pour scier du plastique, des matériaux de maçonnerie ou des matériaux de construction autre que le bois. L'utilisation de la tronçonneuse télescopique à d'autres fins que celles auxquelles elle est destinée peut créer des situations dangereuses.
- k) **Causes et prévention des rebonds :**
- Un rebond peut se produire si le nez ou la pointe du guide-chaîne touche un objet ou si le bois se referme et pince la chaîne dans le trait de coupe.
  - Le contact de la pointe peut dans certains cas provoquer une brusque réaction inverse qui soulève le guide-chaîne et l'entraîne vers de l'utilisateur.
  - Le pincement de la chaîne le long de la partie supérieure du guide-chaîne peut rapidement repousser le guide-chaîne vers l'utilisateur.
- Ces réactions peuvent vous faire perdre le contrôle de la tronçonneuse télescopique ce qui peut occasionner de graves blessures. En qualité d'utilisateur de la tronçonneuse, vous devez prendre plusieurs mesures pour éviter tout accident ou blessure pendant vos opérations de tronçonnage.
- Un rebond résulte d'une mauvaise utilisation du produit. Le rebond peut être évité en prenant les précautions adéquates, indiquées ci-dessous.**
- l) **N'utilisez que des chaînes de rechange spécifiées par le fabricant.** L'installation d'une mauvaise chaîne peut entraîner la casse de cette dernière ou des rebonds.
- m) **Si le guide-chaîne est endommagé et qu'il doit être remplacé, contactez votre revendeur.**
- n) **Cette tronçonneuse est équipée d'un interrupteur avec verrouillage mécanique afin d'éviter son démarrage accidentel.** Pour mettre la tronçonneuse en marche il faut d'abord enfoncer le bouton de verrouillage
- N'utilisez pas le produit sans enfoncer le bouton de verrouillage.
  - N'utilisez pas cet outil d'une seule main. Maintenez fermement le produit à deux mains. Utilisez une main pour maintenir le produit et l'autre main pour l'interrupteur.
- o) **Ne laissez jamais les enfants ou des personnes aux capacités physiques, sensorielles ou intellectuelles réduites ou qui manquent d'expérience et de connaissances ou qui ne se sont pas familiarisées avec ces instructions, utiliser le produit.** Il est possible que la réglementation locale impose des restrictions quant à l'âge de l'utilisateur.
- p) **Les enfants doivent être surveillés afin de garantir qu'ils ne jouent pas avec la machine.**
- q) **Lorsqu'elle n'est pas utilisée, rangez la tronçonneuse télescopique hors de portée des enfants.**
- r) **Avant de commencer à travailler, contrôlez la zone et supprimez tous les risques possibles.**
- s) **Attendez toujours que la machine se soit complètement arrêtée et retirez la batterie**

**avant de la poser.** La chaîne peut se coincer ou rebondir et conduire à une perte de contrôle de la machine.

- t) **Éteignez la tronçonneuse à chaque fois que vous changez de position de travail.**
- u) **Il est possible qu'une branche coupée vous blesse en vous tombant dessus ou en rebondissant depuis le sol.** Veillez à scier les longues branches en petites sections.
- v) **Réduisez votre force d'appui juste avant que la branche ne soit complètement sciée.** Vous pourriez sinon être blessé en perdant l'équilibre et le contrôle de la tronçonneuse.
- w) **Ne suspendez pas le produit dans un arbre quand vous ne l'utilisez pas.** Veillez à toujours poser l'outil au sol dans un lieu sûr sans en retirer la batterie.

### AVERTISSEMENTS DE SÉCURITÉ SUPPLÉMENTAIRES

- a) **Cet outil n'est pas destiné à être utilisé par des personnes (y compris des enfants) aux capacités physiques, sensorielles ou intellectuelles réduites ou sans expérience ni connaissances,** à moins qu'elles ne soient surveillées ou qu'elles n'aient été formées sur la façon d'utiliser l'appareil, par une personne responsable de leur sécurité. Les enfants doivent être surveillés afin de garantir qu'ils ne jouent pas avec l'appareil.
- b) **Lorsque vous travaillez avec la machine, veillez à toujours la tenir fermement à deux mains et à garder une posture stable.** Il est plus facile et plus sûr de guider l'outil électrique à deux mains.
- c) **Assurez-vous toujours que toutes les poignées et tous les dispositifs de protection sont correctement installés avant d'utiliser l'outil.** Ne tentez jamais d'utiliser une machine incomplète ou qui a subi une modification non autorisée.
- d) **Veillez à toujours lubrifier la chaîne à l'aide d'un spray de protection avant l'utilisation.**
- e) **Attendez toujours que la machine se soit complètement arrêtée avant de la poser.**
- f) **Les personnes et les animaux à proximité doivent rester à une distance de 3 mètres au moins, pendant l'utilisation de la machine.**  
L'utilisateur est responsable des tiers présents dans la zone de travail.
- g) **Ne saisissez jamais la chaîne de la tronçonneuse.**
- h) **Les enfants et les personnes non familiarisées avec la présente notice ne doivent pas utiliser la tronçonneuse.** Il est possible que la réglementation locale impose des restrictions quant à l'âge de l'utilisateur.
- i) **L'utilisateur est responsable des accidents subis et des risques encourus par les autres personnes et leurs biens.**
- j) **N'utilisez pas la tronçonneuse pieds nus ou en sandales. Veillez à toujours porter des chaussures solides et un pantalon.** Le port de gants épais, de chaussures antidérapantes et de lunettes de protection est recommandé. Ne portez pas de vêtements amples ou de bijoux qui pourraient être happés par les pièces mobiles.
- k) **Vérifiez toujours soigneusement la zone où la tronçonneuse doit être utilisée et retirez tous les fils métalliques et autres corps étrangers.**
- l) **Avant de commencer à travailler, vérifiez l'absence d'usure et de dommage sur la chaîne, le guide-chaîne et les boulons.** Ne faites pas fonctionner la machine si la chaîne est endommagée ou excessivement usée.
- m) **Apprenez comment arrêter rapidement la tronçonneuse en cas d'urgence.**
- n) **Veillez à n'utiliser la tronçonneuse qu'à la lumière du jour ou avec un excellent éclairage artificiel.**
- o) **Ne faites jamais fonctionner la tronçonneuse si les systèmes de protection sont défectueux ou s'ils ne sont pas en place.**
- p) **Ne tenez jamais la tronçonneuse par le carter de protection.**
- q) **Pour utiliser la tronçonneuse télescopique, gardez les pieds bien ancrés au sol et conservez votre équilibre en permanence.**
- r) **Soyez toujours attentif à ce qui vous entoure et restez vigilant par rapport aux risques possibles que vous ne pourriez pas entendre quand la tronçonneuse est en marche.**
- s) **Veillez à ce que tous les boulons et toutes les vis restent bien serrées afin de garantir que la tronçonneuse peut fonctionner en toute sécurité.**
- t) **La tronçonneuse télescopique doit être rangée dans un endroit sec, surélevé et verrouillé, hors de portée des enfants.**
- u) **Remplacez toutes les pièces usées ou endommagées.**
- v) **Ne tentez pas de réparer la machine si vous n'êtes pas qualifié pour le faire.**
- w) **Tentez le produit fermement à deux mains.**

### AVERTISSEMENTS DE SÉCURITÉ CONCERNANT LA BATTERIE

- a) **N'ouvrez pas la batterie.** Risque de court-circuit.
- b) **Protégez la batterie de la chaleur, des rayons directs du soleil continu et intensifs, du feu, de l'eau et de l'humidité.** Risque d'explosion.
- c) **En cas de dommage ou de mauvaise utilisation, la batterie peut émettre des vapeurs. Aérez la zone et faites appel à un médecin en cas d'affection.**  
Les vapeurs peuvent irriter le système respiratoire.
- d) **N'utilisez la batterie qu'avec votre produit Vonroc.** Cette seule mesure permet de protéger la batterie des surcharges dangereuses.
- e) **La batterie peut être endommagée par des objets pointus comme des clous ou des embouts de tournevis ou si elle subit une force extérieure excessive.** Un court-circuit interne est alors possible et la batterie peut alors s'enflammer, fumer, exploser ou surchauffer.

### AVERTISSEMENTS DE SÉCURITÉ CONCERNANT LE CHARGEUR

#### Utilisation prévue

Avec ce chargeur ne rechargez que les blocs-batteries rechargeables CD801AA et CD803AA. Les autres types de batteries peuvent éclater et provoquer des blessures ou des dommages.

- a) **L'appareil ne doit pas être utilisé par des personnes (y compris des enfants) aux capacités physiques, sensorielles ou intellectuelles réduites ou qui manquent d'expérience et de connaissances, moins qu'elles ne soient supervisées ou qu'elles n'aient été formées.**
- b) **Les enfants doivent être surveillés afin de garantir qu'ils ne jouent pas avec l'appareil.**
- c) **Ne rechargez jamais des piles non rechargeables !**
- d) **Pendant la charge, les batteries doivent être placées dans un endroit bien aéré !**

#### Sécurité électrique



*Contrôlez toujours que la tension de l'alimentation électrique correspond à la tension mentionnée sur la plaque signalétique.*

- N'utilisez pas la machine si son câble ou la prise électrique sont endommagés.
- N'utilisez que des rallonges adaptées à la puissance nominale de la machine et de 1,5 mm<sup>2</sup> de section minimum. Si vous utilisez une rallonge sur un enrouleur, veillez à complètement dérouler le câble.

## 2. INFORMATIONS SUR LA MACHINE

#### Utilisation prévue

La machine est destinée à un usage domestique, pour élaguer des arbres et des arbustes de grande hauteur, tout en restant au sol. La machine n'est pas destinée à être utilisée sur une échelle ou des escaliers. La machine n'est pas conçue pour scier des matières non organiques. Cet outil n'est pas destiné à un usage commercial ou industriel.


#### CARACTÉRISTIQUES TECHNIQUES





*Cette notice a été élaborée pour plusieurs kits / numéros d'articles différents. Consultez le numéro d'article correspondant à votre produit dans le tableau des caractéristiques qui suit pour obtenir la composition et le contenu corrects de votre kit.*

N° de modèle	Batteries fournies	Chargeurs fournis
<b>CS504DC</b>	-	-
<b>S_CS504DC</b>	CD801AA	CD802AA
<b>S2_CS504DC</b>	2 x CD801AA	CD802AA
<b>S3_CS504DC</b>	CD803AA	CD802AA

Informations sur la machine	
Tension	20V
Vitesse de la chaîne	5m/s
Longueur du guide-chaîne	200 mm
Longueur de la chaîne	44T
Pas de la chaîne	1/4"
Calibre de la chaîne	0,043"
Réglage en longueur	200-260cm
Niveau de pression sonore (Lpa)	78,2dB, k=3dB
Niveau de pression sonore (LWA)	88 dB(A), K=3dB(A)
LWA garanti	91dB
Vibrations	poignée avant a <sub>h</sub> =2,74m/s <sup>2</sup> poignée arrière a <sub>h</sub> =2,69m/s <sup>2</sup> K=1,5m/s <sup>2</sup>
Poids	2,3 kg

N° de modèle	CD801AA
Type de batterie	Lithium-Ion
Tension	20V 
Capacité	2.0 Ah
Chargeur recommandé	CD802AA
Poids	0,3 kg

N° de modèle	CD802AA
Entrée chargeur	220-240V, 50Hz 0,4A
Sortie chargeur	21V  2,5A
Durée de charge batterie 2Ah	60 minutes
Durée de charge batterie 4Ah	120 minutes
Batteries recommandées	CD801AA, CD803AA
Poids	0,36 kg

N° de modèle	CD803AA
Type de batterie	Lithium-Ion
Tension	20V 
Capacité	4.0 Ah
Chargeur recommandé	CD802AA
Poids	0,65 kg

N'utilisez que les batteries suivantes de la plateforme Batterie VONROC VPOWER 20V. L'utilisation de toute autre batterie pourrait provoquer de graves blessures ou endommager l'outil.

CD801AA 20V, 2Ah Lithium-Ion  
CD803AA 20V, 4Ah Lithium-Ion

Le chargeur suivant peut être utilisé pour recharger ces batteries.

CD802AA Chargeur rapide

Les batteries de la plateforme Batterie VONROC VPOWER 20V sont interchangeables pour tous les outils de la plateforme Batterie VONROC VPOWER 20V.

## PRÉSENTATION

Les numéros dans le texte font référence aux diagrammes des pages 2 - 5.

1. Tête de la tronçonneuse
2. Bouton de réglage de la tête

3. Bague de verrouillage de la tête
4. Chaîne
5. Guide-chaîne
6. Bouchon du réservoir d'huile
7. Levier de verrouillage du manche
8. Interrupteur
9. Manche télescopique
10. Connecteur électrique
11. Bandoulière
12. Mousqueton
13. Fourreau
14. Batterie
15. Chargeur de batterie
16. Bouton de libération de la batterie
17. Bouton Voyants LED de la batterie
18. Voyants LED de la batterie
19. Voyants LED du chargeur

## 3. ASSEMBLAGE



*Avant de commencer à travailler sur l'outil (maintenance, remplacement d'une pièce, assemblage), retirez-en la batterie.*



*La batterie doit être chargée avant la première utilisation.*

### Installer la batterie dans la machine (Fig. B-1)

Veillez à ce que l'extérieur de la batterie soit propre et sec avant de la raccorder au chargeur ou à la machine.

1. Insérez la batterie (14) dans la base de la machine comme illustré par la Fig. B-1.
2. Enfoncez la batterie jusqu'à ce qu'elle s'enclenche en place.

### Retirer la batterie de la machine (Fig. B-1)

1. Enfoncez la bouton de libération de la batterie (16).
2. Tirez la batterie hors de la machine, comme illustré par la Fig. B-1.

### Contrôler le niveau de charge de la batterie (Fig. B-2)

- Pour contrôler le niveau de charge de la batterie appuyez brièvement sur le bouton (17) sur la batterie.
- La batterie intègre 3 voyants qui indiquent le niveau de charge. Plus il y a de voyants allumés, plus le niveau de charge restant est élevé.
- Si les voyants ne s'allument pas, cela indique que la batterie est vide et qu'elle doit être rechargée immédiatement.



### Recharger la batterie à l'aide du chargeur (Fig. B-2)

1. Retirez la batterie (14) de la machine.
2. Retournez la batterie (14) et glissez-la dans le chargeur (15), comme illustré par la Fig. B-2.
3. Enfoncez la batterie jusqu'à ce qu'elle soit entièrement dans la fente.
4. Branchez la prise du chargeur dans une prise de courant et patientez un moment. Les voyants LED sur le chargeur (19) s'allument et indiquent l'état du chargeur.

### Le chargeur intègre 2 voyants (19) qui indiquent le statut du processus de charge :

État du VOYANT rouge	État du VOYANT vert	État du chargeur
Éteint	Éteint	Pas d'alimentation électrique
Éteint	Allumé	Mode Veille : - Pas de batterie ou - Batterie insérée mais la charge est terminée
Allumé	Éteint	Batterie en cours de charge

- La charge complète de la batterie 2Ah peut prendre jusqu'à 60 minutes.
- La charge complète de la batterie 4Ah peut prendre jusqu'à 120 minutes.

Une fois la batterie complètement rechargée, retirez la prise du chargeur de la prise murale et retirez la batterie du chargeur.



*Si la machine n'est pas utilisée pendant une longue période, il est préférable de ranger la batterie complètement rechargée.*

### Assembler l'outil (Fig. C, D)

- Fixez la bandoulière (11) sur l'arceau de la poignée (9) à l'aide du mousqueton (12).
- Desserrez la bague de verrouillage de la tête (3) en la tournant dans le sens inverse des aiguilles d'une montre. Ne retirez pas la bague de la tête complètement.
- Installez la tête de la tronçonneuse (1) sur le manche télescopique (9) en insérant le connecteur électrique (10) dans la tête.
- Si le connecteur (10) n'est pas correctement inséré, le raccordement électrique n'a pas lieu et l'outil ne peut pas fonctionner. Veillez à ce que le connecteur électrique soit complètement inséré dans la tête de la tronçonneuse. La vis (20) sur

le manche doit être recouverte par la tête de la tronçonneuse (1) et la bague de verrouillage (3).

- Fixez la tête de la tronçonneuse (1) en tournant la bague de verrouillage (3) dans le sens des aiguilles d'une montre



*N'attachez jamais la ceinture en bandoulière d'une épaule à la hanche opposée. Portez-la sur une épaule uniquement. Vous pourrez ainsi plus rapidement éloigner l'outil de votre corps, en cas de danger.*

### Régler la hauteur du manche télescopique (Fig. E-1, E-2)

- Déverrouillez le levier (7) pour libérer le manche télescopique (9).
- Étirez ou rétractez le manche télescopique (9) à la longueur voulue.
- Fixez le manche télescopique en verrouillant le levier (7).

### Régler la tête pivotante de la tronçonneuse (Fig. F-1, F-2)

- Enfoncez le bouton (2) sur le côté de la tête de la tronçonneuse (1).
- Réglez la tête à la position voulue.
- Relâchez le bouton (2) et veillez à ce que la tête soit bien verrouillée en place.

## 4. UTILISATION

### Avant l'utilisation (Fig. G)

Retirez le fourreau (13) et contrôlez le niveau d'huile dans le réservoir (6). Ne faites pas fonctionner la tronçonneuse si le réservoir d'huile est vide. Veillez à n'utiliser que de l'huile biodégradable. Contrôlez la bonne tension de la chaîne (4). La chaîne est correctement tendue quand il est possible de la soulever à la main de 2-3mm environ au centre du guide-chaîne (5).

### Mise en marche et extinction

Tenez toujours la tronçonneuse télescopique à deux mains. Placez une main sur le manche télescopique (9) et l'autre main sur la poignée arrière, près de l'interrupteur. Maintenez l'interrupteur (8) enfoncé pour faire fonctionner la machine. La machine s'éteint automatiquement quand l'interrupteur est relâché.

**Pendant l'utilisation**

Faites tourner la chaîne à sa vitesse maximum avant de toucher le bois. Ne forcez pas sur la tronçonneuse pour scier. Gardez la machine à un régime constant et laissez la chaîne travailler. Contrôlez régulièrement le niveau d'huile dans le réservoir et faites l'appoint avant que le réservoir soit complètement vide.

Pour scier de grandes branches longues, il est recommandé de procéder par petits bouts.

**Après l'utilisation**

Essuyez les saletés et les débris de la chaîne (4) à l'aide d'une brosse ou d'un chiffon. Remettez le fourreau (13) en place et retirez la batterie (14), avant de ranger la machine. Afin que l'huile ne fuie pas quand la machine est rangée, videz toute l'huile restant dans le réservoir (6) dans un récipient adapté.

**5. MAINTENANCE**

*Avant toute opération de nettoyage ou de maintenance, éteignez toujours la machine et retirez-en le bloc-batterie.*

Nettoyez régulièrement le boîtier de la machine à l'aide d'un chiffon doux et de préférence après chaque utilisation. Assurez-vous que les fentes d'aération restent exemptes de poussière et de saletés. Supprimez les taches tenaces à l'aide d'un chiffon doux légèrement humide et d'une solution savonneuse. N'utilisez aucun solvant, essence, alcool, ammoniac, etc. car ces produits chimiques peuvent endommager les composants synthétiques de la machine.

**Régler la tension de la chaîne (Fig. H)**

L'usure normale de la chaîne la fait se détendre/s'étirer lentement avec le temps. La tronçonneuse est équipée d'un mécanisme de tension qui permet de compenser cet étirement. Tournez le boulon (21) de tension de la chaîne à l'avant de la machine pour régler la tension. La chaîne (4) est correctement tendue quand il est possible de la soulever à la main de 2-3mm environ au centre du guide-chaîne (5). Lorsque le mécanisme de tension ne permet plus de compenser l'étirement de la chaîne, cela indique que la chaîne est complètement usée et qu'elle doit être remplacée.

**Remplacer la chaîne de la tronçonneuse (Fig. H)**

1. Dévissez la vis (22) et retirez le cache (23).
2. Retirez la chaîne (4) et le guide-chaîne (5). Jetez l'ancienne chaîne.
3. Installez la chaîne neuve autour du guide-chaîne. Veillez à ce que la chaîne neuve soit de la bonne taille et faites-attention à l'installer dans le bon sens.
4. Installez la chaîne sur le pignon d'entraînement et réinstallez le guide-chaîne.
5. Veillez à ce que toutes les pièces soient correctement installées avant de replacer le cache (23) et de resserrer la vis (22).
6. Contrôlez la tension de la chaîne et ajustez-la si nécessaire.

**Rangement**

La tronçonneuse télescopique doit être rangée dans un endroit sûr et sec, hors de la portée des enfants. Ne posez aucun objet dessus. Notez que le bouchon (6) du réservoir d'huile intègre un petit trou. La machine doit être rangée à l'horizontale, avec le bouchon du réservoir vers le haut, afin que l'huile ne fuie pas par le trou dans le bouchon. Mais si la machine doit être rangée dans une autre position, le réservoir d'huile doit alors être vidé dans un récipient adapté pour qu'elle ne fuit pas.

**ENVIRONNEMENT**

*Les appareils électriques et électroniques défectueux ou en fin de vie doivent être rapportés dans des sites de recyclage appropriés.*

**Pour les pays de la Communauté Européenne uniquement**

Ne jetez pas les outils électriques avec les déchets ménagers. Conformément à la Directive Européenne 2012/19/CE relative à l'élimination des déchets électriques et électroniques et sa transposition dans la législation nationale, les outils électriques inutilisables doivent être collectés séparément et être jetés de façon écologique.

**GARANTIE**

Les produits VONROC sont développés avec les normes de qualité les plus hautes et ils sont garantis pour être exempts de défaut de pièces et de main d'œuvre pour la durée stipulée par la loi et

à compter de la date d'achat initiale. Si, au cours de cette période, le produit devait rencontrer une quelconque panne due à un défaut de pièce ou de main d'œuvre, contactez VONROC directement.

Les conditions suivantes sont exclues de la garantie :

- Réparations ou modifications sur la machine, faites ou tentées par des réparateurs non agréés ;
- Usure normale ;
- Utilisation abusive ou incorrecte ou maintenance incorrecte de l'outil ;
- Utilisation de pièces détachées non d'origine.

Ceci représente l'unique garantie, explicite ou implicite, proposée par la société. Il n'existe aucune autre garantie, explicite ou implicite, qui puisse dépasser le cadre de la présente garantie, y compris les garanties implicites de qualité marchande et d'adaptation à un usage particulier. En aucun cas, VONROC ne saurait être tenu responsable pour les dommages accidentels ou consécutifs. Les recours des revendeurs sont limités à la réparation ou au remplacement des équipements ou des pièces non conformes.

**Le produit et la notice d'utilisation sont sujets à modifications. Les caractéristiques peuvent être modifiées sans notification préalable.**

## 1. INSTRUCCIONES DE SEGURIDAD

Lea las advertencias de seguridad, las advertencias de seguridad adicionales y las instrucciones adjuntas. Si no respeta las advertencias de seguridad y las instrucciones, pueden ocasionarse descargas eléctricas, incendios y/o lesiones graves. Guarde las advertencias de seguridad y las instrucciones para su futura consulta.

En el manual de usuario y en el producto se emplean los siguientes símbolos:



*Lea el manual de usuario.*



*Denota riesgo de lesiones personales, muerte o daños a la herramienta en caso de incumplimiento de las instrucciones del presente manual.*



*Riesgo de descarga eléctrica.*



*Temperatura máx. 45 °C.*



*No arroje la batería al fuego.*



*No arroje la batería al agua.*



*Use protección para la cabeza.*



*Use gafas de seguridad.*



*No exponer a la lluvia.*



*Mantenga las manos alejadas de la hoja.*



*Tenga cuidado con los objetos proyectados.*



*Mantenga alejadas a terceras personas.*



*Mantenga el producto alejado de las líneas de alta tensión.*



*Distancia mínima, 10 metros.*



*Aparato de clase II. Tiene doble aislamiento, por tanto no requiere enchufe de puesta a tierra.*



*Minifusible de acción retardada.*



Efectúe la recogida selectiva de la batería de iones de litio.



No tire el producto en contenedores inadecuados.



El producto es conforme a las normas de seguridad aplicables según las directivas europeas.

## ADVERTENCIAS GENERALES DE SEGURIDAD PARA HERRAMIENTAS ELÉCTRICAS



**ADVERTENCIA. Lea todas las advertencias de seguridad y todas las instrucciones.**

Si no respeta las advertencias de seguridad y las instrucciones, pueden ocasionarse descargas eléctricas, incendios y/o lesiones graves.

**Guarde todas las advertencias y las instrucciones para su futura consulta.**

El término "herramienta eléctrica" de las advertencias se refiere a la herramienta eléctrica alimentada por la red (con cable) o alimentada a batería (sin cable).

### 1) Seguridad en el área de trabajo

- Mantenga el área de trabajo limpia y bien iluminada.** Las áreas desordenadas u oscuras favorecen los accidentes.
- No utilice herramientas eléctricas en atmósferas explosivas, como en presencia de líquidos, gases o polvos inflamables.** Las herramientas eléctricas generan chispas que pueden encender el polvo o los humos.
- Mantenga alejados a los niños y a otras personas cuando utilice una herramienta eléctrica.** Las distracciones pueden causar pérdidas de control.

### 2) Seguridad eléctrica

- Los enchufes de las herramientas eléctricas deben coincidir con la toma de corriente. Nunca modifique el enchufe de ningún modo. No utilice ningún enchufe adaptador con las herramientas eléctricas con toma de tierra (puesta a masa).** Los enchufes no modificados y las tomas de corriente que correspondan reducen el riesgo de descarga eléctrica.
- Evite el contacto del cuerpo con superficies conectadas a tierra o a masa, como tubos,**

**radiadores, cocinas y refrigeradores.** Existe un mayor riesgo de descarga eléctrica si su cuerpo está conectado a tierra o puesto a masa.

- No exponga las herramientas eléctricas a la lluvia ni a la humedad.** Si entra agua en una herramienta eléctrica, aumenta el riesgo de descarga eléctrica.
- No haga un mal uso del cable. No utilice nunca el cable para transportar, tirar o desenchufar la herramienta eléctrica. Mantenga el cable alejado del calor, el aceite, los cantos vivos y las piezas móviles.** Los cables dañados o enredados aumentan el riesgo de descarga eléctrica.
- Cuando utilice una herramienta eléctrica en exteriores, utilice un cable prolongador adecuado para uso en exteriores.** Usar un cable adecuado para exteriores reduce el riesgo de descarga eléctrica.
- Si el uso de una herramienta eléctrica en un entorno húmedo es inevitable, utilice un suministro protegido con un dispositivo diferencial residual (DDR).** El uso de un DDR reduce el riesgo de descarga eléctrica.

### 3) Seguridad personal

- Esté atento, tenga cuidado con lo que hace y aplique el sentido común cuando utilice una herramienta eléctrica. No utilice herramientas eléctricas si está cansado o bajo el efecto de drogas, alcohol o medicamentos.** Un momento de desatención mientras utiliza las herramientas eléctricas puede causar lesiones personales graves.
- Use equipo de protección individual. Use siempre protectores oculares.** Los equipos de protección, como la máscara antipolvo, el calzado de seguridad antideslizante, el casco o la protección auditiva, utilizados en las condiciones adecuadas, reducen las lesiones personales.
- Evite arranques involuntarios. Compruebe que el interruptor esté en la posición de apagado antes de conectar la herramienta a la fuente de alimentación y/o a la batería, y antes de cogerla o transportarla.** Transportar herramientas eléctricas con el dedo puesto sobre el interruptor o enchufarlas con el interruptor encendido puede causar accidentes.
- Retire cualquier llave de ajuste o llave de tuercas antes de encender la herramienta eléctrica.** Si se deja cualquier tipo de llave puesta en

una pieza giratoria de la herramienta eléctrica, pueden producirse lesiones personales.

- e) **No se estire demasiado. Mantenga una posición firme y equilibrada en todo momento.** Así tendrá un mejor control de la herramienta eléctrica en situaciones imprevistas.
- f) **Vístase en modo adecuado. No use prendas sueltas ni joyas. Mantenga el cabello, la ropa y los guantes alejados de las piezas móviles.** La ropa suelta, las joyas o el cabello largo pueden quedar atrapados en las piezas móviles.
- g) **Si se proporcionan dispositivos para la conexión de aparatos de extracción y recogida de polvo, compruebe que estos estén conectados y que se utilicen correctamente.** El uso de aparatos de recogida de polvo puede reducir los riesgos relacionados con el polvo.
- h) **No permita que la familiaridad adquirida con el uso frecuente de las herramientas le haga confiarse e ignorar los principios de seguridad de las herramientas.** Una acción descuidada puede causar lesiones graves en una fracción de segundo.

#### 4) Uso y cuidado de la herramienta eléctrica

- a) **No fuerce la herramienta eléctrica. Utilice la herramienta eléctrica correcta para su aplicación.** Usar la herramienta eléctrica correcta y al ritmo para el que esta ha sido diseñada permite hacer mejor el trabajo y con más seguridad.
- b) **No utilice la herramienta eléctrica si no la puede encender o apagar con el interruptor.** Cualquier herramienta eléctrica que no pueda ser controlada con el interruptor es peligrosa y debe ser reparada.
- c) **Desconecte el enchufe de la fuente de alimentación y/o quite la batería de la herramienta eléctrica antes de hacer cualquier ajuste, cambiar los accesorios o guardar la herramienta eléctrica.** Estas medidas de seguridad preventivas reducen el riesgo de que la herramienta eléctrica se ponga en marcha accidentalmente.
- d) **Guarde las herramientas eléctricas inactivas fuera del alcance de los niños y no permita que las utilicen las personas no familiarizadas con las herramientas eléctricas o con estas instrucciones.** Las herramientas eléctricas son peligrosas en manos de usuarios no capacitados.
- e) **Efectúe el mantenimiento de las herramientas eléctricas. Compruebe si las piezas móviles están desalineadas o agarradas, si hay piezas**

**rotas o cualquier otra condición que pueda afectar al funcionamiento de la herramienta. En caso de que la herramienta esté dañada, hágala reparar antes de usarla.** Muchos accidentes son causados por herramientas eléctricas mal mantenidas.

- f) **Mantenga las herramientas de corte afiladas y limpias.** Las herramientas de corte bien mantenidas y con bordes de corte afilados tienen menos probabilidades de atascarse y son más fáciles de controlar.
- g) **Utilice la herramienta eléctrica, los accesorios y las brocas, etc. de acuerdo con estas instrucciones, teniendo en cuenta las condiciones de trabajo y el trabajo a realizar.** El uso de la herramienta eléctrica para operaciones diferentes a las previstas puede causar situaciones peligrosas.
- h) **Mantenga las empuñaduras y las superficies de agarre secas, limpias y libres de aceite y grasa.** Las asas y las superficies de agarre resbaladizas no permiten un manejo y control seguros de la herramienta en situaciones inesperadas.

#### 5) Uso y cuidado de la herramienta de batería

- a) **Recargue el aparato solo con el cargador especificado por el fabricante.** Un cargador apto para un tipo de batería puede ocasionar riesgos de incendio si se usa con otro paquete de baterías.
- b) **Use las herramientas eléctricas solo con las baterías especialmente diseñadas.** El uso de cualesquiera otros paquetes puede ocasionar riesgo de lesiones e incendios.
- c) **Cuando no use la batería, manténgala alejada de otros objetos metálicos tales como grapas de papel, monedas, llaves, clavos, tornillos u otros objetos metálicos pequeños que puedan poner en conexión los terminales entre sí.** Poner en cortocircuito los terminales de la batería puede ocasionar quemaduras o incendios.
- d) **En condiciones de uso indebido, la batería puede perder líquido; en ese caso evite el contacto. En caso de contacto accidental, aclare con agua. Si el líquido entra en contacto con los ojos, consulte a un médico.** El líquido que expulsa la batería puede causar irritaciones o quemaduras.
- e) **No utilice una batería o una herramienta que esté dañada o modificada.** Las baterías dañadas o modificadas pueden presentar un

comportamiento impredecible y provocar un incendio, una explosión o riesgo de lesiones.

- f) **No exponga una batería o una herramienta al fuego o a temperatura excesiva.** La exposición al fuego o a temperaturas superiores a 130 °C puede provocar una explosión. NOTA: La temperatura "130 °C" puede sustituirse por la temperatura de "265 °F".
- g) **Siga todas las instrucciones de carga y no cargue la batería o la herramienta fuera del intervalo de temperatura especificado en las instrucciones.** La carga incorrecta o a temperaturas fuera del intervalo especificado puede causar daños a la batería y aumentar el riesgo de incendio.
- 6) Reparaciones**
- a) **Haga reparar su herramienta eléctrica por una persona cualificada, que use solo piezas de repuesto idénticas.** Esto garantiza que se mantenga la seguridad de la herramienta eléctrica.
- b) **Nunca repare las baterías dañadas.** El mantenimiento de las baterías debe ser realizado solo por el fabricante o los proveedores de servicio autorizados.

### ADVERTENCIAS DE SEGURIDAD PARA MOTO-SIERRAS TELESCÓPICAS

- a) **Mantenga todas las partes del cuerpo alejado de la cadena de la sierra.** No retire el material cortado ni sujete el material que vaya a cortar cuando la cadena de la sierra esté en movimiento. Compruebe haber apagado la herramienta y haber quitado la batería antes de eliminar el material atascado. Desatender la motosierra un instante mientras esté en funcionamiento puede acarrear lesiones personales graves.
- b) **Sujete la herramienta eléctrica solo por las superficies de agarre aisladas porque la cadena de la sierra puede entrar en contacto con cables ocultos.** Si la cadena de la sierra entra en contacto con un cable bajo tensión, puede exponer las partes metálicas de la herramienta a tensión y ocasionar una descarga eléctrica al operador.
- c) **Mantenga aferrada firmemente la herramienta y coloque las manos y el cuerpo de modo que resistan a las fuerzas de contragolpe.** Tomando las precauciones adecuadas, el operador puede controlar las fuerzas de contragolpe. No suelte la motosierra telescópica.
- d) **Cuando corte una rama, tenga cuidado con los contragolpes.** Cuando la rama se quiebra puede doblarse y atascar la cadena de la sierra.
- e) **Transporte la motosierra apagada, siempre con las dos manos y la tapa de la cadena de la sierra colocada.** El manejo adecuado de la motosierra reduce la probabilidad de un contacto accidental con la cadena de la sierra en movimiento.
- f) **No utilice la motosierra telescópica estando subido a un árbol.** Si se usa una motosierra telescópica estando trepado o subido a un árbol pueden producirse lesiones personales.
- g) **Mantenga siempre una posición correcta y utilice la motosierra solo estando sobre una superficie fija, segura y nivelada.** Las superficies resbaladizas o inestables, como las escaleras, pueden causar una pérdida de equilibrio o de control de la motosierra.
- h) **Siga las instrucciones de lubricación, tensado de la cadena y cambio de accesorios.** Una cadena mal tensada o mal lubricada puede romperse o aumentar la posibilidad de contragolpe.
- i) **Mantenga las manos secas, limpias y libres de aceite y grasa.** Los mangos engrasados y aceitosos son resbaladizos y causan la pérdida de control.
- j) **Corte únicamente madera.** No utilice la motosierra telescópica para fines distintos a los previstos. Por ejemplo, no utilice la motosierra para cortar plásticos, mampostería u otros materiales de construcción que no sean de madera. El uso de la motosierra telescópica para operaciones diferentes a las previstas puede causar situaciones peligrosas.
- k) **Causas y prevención de contragolpes al operador:**
- Los contragolpes pueden producirse cuando la boca o la punta de la barra guía toca un objeto, o cuando la madera se cierra y pellizca la cadena de la sierra durante el corte.
  - En algunos casos, el contacto de la punta puede causar una reacción inversa repentina, haciendo rebotar la barra guía hacia arriba y hacia el operador.
  - Si la cadena de la sierra pellizca a lo largo de la parte superior de la barra guía, puede empujar la barra guía rápidamente hacia el operador.
- Cualquiera de estas reacciones puede hacerle perder el control sobre la motosierra telescópica, y ello puede causar lesiones personales

graves. Como usuario de la motosierra, debe adoptar diferentes medidas para evitar que se produzcan accidentes o lesiones durante el trabajo.

**Los contragolpes se producen por el uso incorrecto o defectuoso del producto. Los contragolpes pueden evitarse tomando las medidas de precaución adecuadas que se indican a continuación.**

- l) **Use únicamente las cadenas de sierra de repuesto especificadas por el fabricante.** Las cadenas de sierra incorrectas pueden causar contragolpes o la rotura de la cadena.
- m) **Si la barra está dañada y hay que sustituirla, consulte a su distribuidor.**
- n) **Para evitar el accionamiento accidental de la cadena de la sierra, esta motosierra tiene un interruptor de interbloqueo mecánico.** Para hacer funcionar la motosierra, debe pulsar el botón de bloqueo antes de que la motosierra empiece a funcionar
  - No utilice el producto sin pulsar el botón de bloqueo.
  - No utilice esta herramienta con una sola mano. Sujete el producto firmemente con ambas manos; con una mano aferre bien el producto, y con la otra accione el interruptor de encendido/apagado.
- o) **Nunca permita que los niños, las personas con limitaciones físicas, sensoriales o mentales o con falta de experiencia y/o conocimientos y/o las personas que no estén familiarizadas con estas instrucciones utilicen la máquina.** Las normas locales pueden restringir la edad del operador.
- p) **Los niños siempre deben estar supervisados para constatar que no jueguen con la máquina.**
- q) **Cuando no use la motosierra, guárdela fuera del alcance de los niños.**
- r) **Antes de la operación, revise el área de trabajo y elimine todos los peligros potenciales.**
- s) **Espere siempre a que la máquina se detenga completamente y extraiga la batería antes de dejarla apoyada.** La cadena de la sierra puede atascarse o dar un contragolpe y causar la pérdida de control de la máquina.
- t) **Apague la motosierra cuando cambie de posición de trabajo.**
- u) **Una rama cortada puede causar lesiones personales si cae sobre usted o salta del suelo.** Corte las ramas más largas en trozos.

- v) **Reduzca la fuerza antes de cortar completamente la rama.** Si pierde el equilibrio y el control de la motosierra, puede lesionarse.
- w) **No cuelgue el producto de un árbol cuando no lo utilice.** Coloque siempre la herramienta en el suelo, en un lugar seguro, sin quitarle la batería.

#### ADVERTENCIAS DE SEGURIDAD ADICIONALES

- a) **El aparato no debe ser usado por personas (incluidos niños) con capacidades físicas, sensoriales o mentales limitadas, o que no tengan experiencia o conocimiento,** salvo que estén supervisadas o hayan recibido instrucciones sobre el uso del aparato por parte de una persona responsable de su seguridad. Los niños siempre deben estar supervisados para constatar que no jueguen con el aparato.
- b) **Cuando trabaje con la máquina, sujétela siempre firmemente con ambas manos y adopte una postura firme.** La herramienta eléctrica se guía de modo más seguro con ambas manos.
- c) **Compruebe siempre que los protectores estén colocados cuando utilice la máquina.** Nunca intente utilizar una máquina incompleta o con modificaciones no autorizadas.
- d) **Lubrique siempre la cadena de la sierra con un spray protector antes del uso.**
- e) **Espere siempre a que la máquina se detenga completamente antes de dejarla apoyada.**
- f) **Las demás personas y los animales deben permanecer a una distancia mínima de 3 metros cuando utilice la máquina.** El operador es responsable de las terceras personas que se encuentren en la zona de trabajo.
- g) **Nunca aferre la cadena de la sierra.**
- h) **Los niños o las personas que no estén familiarizadas con estas instrucciones no deben manejar la motosierra.** Las normas locales pueden restringir la edad del operador.
- i) **El usuario es responsable de los accidentes o peligros que puedan ocurrir a otras personas o a su propiedad.**
- j) **No utilice la motosierra cuando esté descalzo o lleve sandalias abiertas, póngase siempre calzado resistente y pantalones largos.** Se recomienda usar guantes resistentes, calzado antideslizante y gafas de seguridad. No lleve ropa suelta ni joyas que pudiesen quedar atrapadas en las piezas móviles.

- k) **Inspeccione minuciosamente la zona donde vaya a utilizar la motosierra y retire todos los alambres y otros objetos extraños.**
- l) **Antes de utilizar la sierra, compruebe que la cadena, la barra y los pernos no estén desgastados ni dañados.** No utilice la motosierra si está dañada o excesivamente desgastada.
- m) **Sepa cómo parar la motosierra rápidamente en caso de emergencia.**
- n) **Utilice la motosierra solo con luz diurna o con una buena luz artificial.**
- o) **No utilice nunca la motosierra si tiene los protectores defectuosos o si no los tiene colocados.**
- p) **Nunca sujete la motosierra por el protector.**
- q) **Cuando utilice la motosierra telescópica, mantenga siempre la postura y el equilibrio adecuados.**
- r) **Esté siempre atento a su entorno y manténgase alerta ante posibles peligros que no pueda oír mientras utiliza la motosierra.**
- s) **Mantenga todas las tuercas, pernos y tornillos apretados para que la motosierra esté siempre en condiciones de trabajo seguras.**
- t) **La motosierra telescópica debe guardarse en un lugar seco, alto o bajo llave, fuera del alcance de los niños.**
- u) **Sustituya las piezas desgastadas o dañadas, por seguridad.**
- v) **No intente reparar la máquina a menos que esté cualificado para hacerlo.**
- w) **Sujete bien el producto con ambas manos.**

#### ADVERTENCIAS DE SEGURIDAD PARA LA BATERÍA

- a) **No abra la batería.** Peligro de cortocircuito.
- b) **Proteja la batería del calor, p. ej., de la luz solar intensa continua, los incendios, el agua y la humedad.** Peligro de explosión.
- c) **En caso de daño y de uso incorrecto de la batería, esta puede emitir vapores. Ventile el área y consulte a un médico si se siente mal.** Los vapores pueden irritar el sistema respiratorio.
- d) **Utilice la batería solo junto con su producto Vonroc.** Esta medida protege la batería de sobrecargas peligrosas.
- e) **La batería puede sufrir daños ocasionados por objetos puntiagudos tales como clavos o destornilladores o por fuerzas aplicadas externamente.** Puede producirse un cortocircuito interno que dé lugar a que la batería se incendie, emita humo, explote o se caliente en exceso.

#### ADVERTENCIAS DE SEGURIDAD PARA EL CARGADOR

##### Uso previsto

Cargue solo las baterías recargables de tipo CD801AA y CD803AA con el cargador. Otros tipos de baterías pueden estallar y causar lesiones y daños.

- a) **El aparato no debe ser usado por personas (incluidos niños) con capacidad física, sensorial o mental reducida, o que no tengan experiencia o conocimiento suficientes, salvo que hayan sido capacitadas o estén bajo supervisión.**
- b) **Controle que los niños no jueguen con el aparato.**
- c) **¡No recargue baterías no recargables!**
- d) **Durante la carga, ¡las baterías deben dejarse en un lugar bien ventilado!**

##### Seguridad eléctrica



*Compruebe siempre que la tensión de alimentación coincida con la tensión indicada en la placa de datos.*

- No utilice la máquina si el cable de alimentación o el enchufe de corriente está dañado.
- Utilice solo cables prolongadores adecuados a la potencia de la máquina, con un grosor mínimo de 1,5 mm<sup>2</sup>. Si utiliza un cable prolongador en carrete, desenrolle siempre todo el cable.

## 2. INFORMACIÓN SOBRE LA MÁQUINA

##### Uso previsto

La máquina ha sido concebida para el uso doméstico, para podar árboles y arbustos a una altura elevada, estando el usuario en el suelo. La máquina no ha sido diseñada para ser utilizada sobre una escalera o peldaños. La máquina no ha sido diseñada para cortar material inorgánico. Esta herramienta no ha sido diseñada para uso comercial o industrial.

##### ESPECIFICACIONES TÉCNICAS



*Este manual ha sido redactado para diferentes números de juegos / artículos. Compruebe el número de artículo correspondiente en la siguiente tabla de especificaciones para conseguir la composición y el contenido correctos de su juego.*



Modelo n.º	Baterías incluidas	Cargadores incluidos
<b>CS504DC</b>	-	-
<b>S_CS504DC</b>	CD801AA	CD802AA
<b>S2_CS504DC</b>	2 x CD801AA	CD802AA
<b>S3_CS504DC</b>	CD803AA	CD802AA

Información de la máquina	
Voltaje	20 V
Velocidad cadena	5 m/s
Longitud barra cadena	200 mm
Longitud cadena	44T
Paso cadena	1/4"
Calibre cadena	0,043"
Ajuste de longitud	200-260 cm
Nivel de presión acústica (LpA)	78,2 dB, k = 3 dB
Nivel de presión acústica (LWA)	88 dB(A), K= 3 dB(A)
LWA garantizado	91 dB
Vibración	Mango delantero $a_h = 2,74 \text{ m/s}^2$ Mango trasero $a_h = 2,69 \text{ m/s}^2$ $K=1.5 \text{ m/s}^2$
Peso	2,3 kg

Modelo n.º	CD801AA
Tipo de batería	iones de litio
Voltaje	20 V
Capacidad	2,0 Ah
Cargador recomendado	CD802AA
Peso	0,3 kg

Modelo n.º	CD802AA
Entrada del cargador	220-240 V, 50 Hz 0,4 A
Salida del cargador	21 V  2,5 A
Tiempo de carga batería 2 Ah	60 minutos
Tiempo de carga batería 4 Ah	120 minutos
Baterías recomendadas	CD801AA, CD803AA
Peso	0,36 kg

Modelo n.º	CD803AA
Tipo de batería	iones de litio
Voltaje	20 V
Capacidad	4,0 Ah
Cargador recomendado	CD802AA
Peso	0,65 kg

Use solo las siguientes baterías de la plataforma de baterías VONROC VPOWER 20V. El uso de cualquier otra batería puede causar lesiones graves o dañar la herramienta.

CD801AA 20 V, 2 Ah, iones de litio  
CD803AA 20 V, 4 Ah, iones de litio

Para cargar estas baterías se puede utilizar el siguiente cargador de batería.  
CD802AA Cargador rápido

Las baterías de la plataforma de baterías VONROC VPOWER 20 V son intercambiables con todas las herramientas de la plataforma de baterías VONROC VPOWER de 20 V.

### DESCRIPCIÓN

Los números del texto hacen referencia a los diagramas de las páginas 2 - 5.

1. Cabezal de la motosierra
2. Botón de ajuste del cabezal
3. Anillo de bloqueo del cabezal
4. Cadena de la sierra
5. Barra de la motosierra
6. Tapa del depósito de aceite
7. Palanca de bloqueo del mango
8. Interruptor de alimentación
9. Mango telescópico
10. Conector de alimentación
11. Correa en bandolera
12. Mosquetón
13. Tapa de la cadena
14. Batería
15. Cargador de batería
16. Botón de desbloqueo de la batería
17. Botón de indicadores LED de batería
18. Indicadores LED de la batería
19. Indicadores de LED del cargador

### 3. MONTAJE



Antes de realizar cualquier trabajo (mantenimiento, cambio de herramienta, montaje) en la herramienta eléctrica, sáquele la batería.



Hay que cargar la batería antes del primer uso.

#### Colocación de la batería en la máquina (Fig. B-1)

Compruebe que la parte exterior de la batería esté limpia y seca antes de colocarla en el cargador o en la máquina.

1. Inserte la batería (14) en la base de la máquina, como se muestra en la Fig. B-1.
2. Pulse la batería más hacia delante hasta que haga clic en su sitio.

#### Extracción de la batería de la máquina (Fig. B-1)

1. Presione el botón de desbloqueo de la batería (16).
2. Extraiga la batería de la máquina como se muestra en la Fig. B-1.

#### Comprobación del estado de carga de la batería (Fig. B-2)

- Para comprobar el estado de carga de la batería, pulse brevemente el botón (17) de la batería.
- La batería tiene 3 luces que indican el nivel de carga, cuantas más luces estén encendidas, más batería queda.
- Cuando las luces están apagadas significa que la batería está vacía y debe cargarse inmediatamente.

#### Carga de la batería con el cargador (Fig. B-2)

1. Extraiga la batería (14) de la máquina.
2. Dé vuelta la batería (14) y deslícela por el cargador (15), como se muestra en la Fig. B-2.
3. Empuje la batería hasta que quede totalmente colocada en la ranura.
4. Enchufe el enchufe del cargador en una toma de corriente y espere un poco. Los indicadores de LED del cargador (19) se encenderán y mostrarán el estado del cargador.

El cargador tiene 2 indicadores de LED (19) que indican el estado del proceso de carga:

Estado del LED rojo	Estado del LED verde	Estado del cargador
Apagado	Apagado	Sin energía
Apagado	Encendido	Modo de espera: - Sin batería colocada o: - con batería colocada y carga finalizada
Encendido	Apagado	Carga de la batería en curso

- La carga completa de la batería de 2 Ah puede llevar hasta 60 minutos.
- La carga completa de la batería de 4 Ah puede llevar hasta 120 minutos.

Cuando la batería esté totalmente cargada, desenchufe el enchufe del cargador de la toma de corriente y extraiga la batería del cargador.



Cuando la máquina no se utiliza por un largo periodo de tiempo, es conveniente guardar la batería cargada.

#### Montaje de la herramienta (Fig. C, D)

- Coloque la correa en bandolera (11) en el anillo del mango (9) utilizando el mosquetón (12).
- Suelte el anillo de bloqueo del cabezal (3) girándolo en sentido antihorario. No retire completamente el anillo del cabezal.
- Coloque el cabezal de la motosierra (1) en el mango telescópico (9) introduciendo el conector de alimentación (10) en el cabezal.
- Si el conector (10) no está bien introducido, puede que no haya conexión eléctrica, y la herramienta no funcionará. Compruebe que el conector de alimentación esté totalmente introducido en el cabezal de la motosierra. El tornillo (20) del mango debe quedar cubierto por el cabezal de la motosierra (1) y el anillo de bloqueo (3).
- Fije el cabezal de la motosierra (1) girando el anillo de bloqueo (3) en sentido horario.



Nunca se ajuste la correa diagonalmente sobre el hombro y el pecho, colóquesela en un hombro. De este modo, podrá retirar rápidamente la herramienta de su cuerpo en caso de peligro.

#### Ajuste de altura del mango telescópico (Fig. E-1, E-2)

- Desbloquee la palanca (7) para liberar el mango telescópico (9).

- Extienda o retraiga el mango telescópico (9) hasta la longitud deseada.
- Fije el mango telescópico bloqueando la palanca (7).

#### Ajuste del cabezal pivotante de la motosierra (Fig. F-1, F-2)

- Pulse el botón (2) situado al costado del cabezal de la motosierra (1).
- Ajuste el cabezal en la posición que desee.
- Suelte el botón (2) y compruebe que el cabezal esté bloqueado en su posición.

## 4. FUNCIONAMIENTO

#### Antes del uso (Fig. G)

Retire la tapa de la cadena (13) y compruebe el nivel de aceite del depósito (6). No utilice la sierra si tiene el depósito de aceite vacío. Use solo aceite biodegradable para motosierras. Compruebe si la cadena (4) está correctamente tensada. La cadena está correctamente tensada cuando puede levantarse unos 2 o 3 mm con la mano en el centro de la barra de la cadena (5).

#### Encendido y apagado

Sujete siempre la motosierra telescópica con las dos manos. Coloque una mano en el mango telescópico (9), y la otra en la parte trasera del mango, cerca del interruptor de alimentación. Mantenga pulsado el interruptor de alimentación (8) para hacer funcionar la máquina. Al soltar el interruptor de alimentación, la máquina se detiene automáticamente.

#### Durante el uso

Acelere la cadena antes de que entre en contacto con la madera. No fuerce la motosierra durante el corte. Mantenga la máquina a una velocidad constante y deje que la cadena haga el trabajo. Compruebe periódicamente el nivel de aceite del depósito, y llénelo antes de que se quede completamente vacío. Cuando corte ramas grandes y largas, recomendamos cortarlas por partes.

#### Después del uso

Limpie la suciedad y los residuos de la cadena (4) con un cepillo o un paño. Coloque la tapa de la cadena (13) y retire la batería (14) antes de guardar la máquina. Para evitar fugas de aceite du-

rante el almacenamiento, vacíe el aceite restante del depósito (6) vertiéndolo en un recipiente adecuado.

## 5. MANTENIMIENTO



*Antes de realizar la limpieza y el mantenimiento, apague siempre la máquina y extraiga la batería de la máquina.*

Limpie periódicamente la carcasa de la máquina con un paño suave, preferentemente después de cada uso. Compruebe que los orificios de ventilación estén libres de polvo y suciedad. Elimine el polvo persistente utilizando un paño suave humedecido con agua y jabón. No utilice disolventes tales como gasolina, alcohol, amoníaco, etc. Estas sustancias químicas dañan los componentes sintéticos de la máquina.

#### Ajuste de tensión de la cadena de la sierra (Fig. H)

El desgaste normal produce un lento estiramiento de la cadena a lo largo del tiempo. La motosierra está dotada de un mecanismo tensor que compensa tal estiramiento. Gire el perno tensor de la cadena (21) de la parte delantera de la máquina para ajustar la tensión de la cadena. La cadena (4) está correctamente tensada cuando puede levantarse unos 2 o 3 mm con la mano en el centro de la barra de la cadena (5). Cuando el mecanismo tensor ya no puede compensar totalmente el estiramiento, la cadena está desgastada y debe ser sustituida.

#### Sustitución de la cadena de la sierra (Fig. H)

1. Afloje el tornillo (22) y extraiga la tapa (23).
2. Extraiga la cadena (4) y la barra (5) de la motosierra. Deseche la cadena vieja.
3. Coloque la nueva cadena alrededor de la barra de la cadena. Compruebe que el tamaño y el sentido de marcha de la nueva cadena sean correctos.
4. Coloque la cadena sobre el piñón de arrastre y vuelva a montar la barra de la cadena.
5. Compruebe que todas las piezas estén bien montadas y vuelva a colocar la tapa (23) y apriete el tornillo (22).
6. Compruebe la tensión de la cadena y ajústela si es necesario.

#### Almacenamiento

La motosierra telescópica debe guardarse en un lugar seco y seguro, fuera del alcance de los niños.

No coloque otros objetos encima. Notará que el tapón del depósito de aceite (6) tiene un pequeño canal de ventilación. La máquina debe guardarse en posición horizontal, con el tapón del depósito hacia arriba, para evitar fugas de aceite por el canal del tapón. Si debe guardar la máquina en otra posición, hay que vaciar el aceite del depósito en un recipiente adecuado, para evitar fugas durante el almacenamiento.

## MEDIOAMBIENTE



*Los aparatos eléctricos o electrónicos defectuosos y/o desechados deben recogerse en lugares de reciclado apropiado.*

### Solo para países de la Comunidad Europea

No elimine las herramientas eléctricas como residuos domésticos. De acuerdo con la Directiva europea 2012/19/CE sobre residuos de aparatos eléctricos y electrónicos, y su transposición a las legislaciones nacionales, las herramientas eléctricas que ya no se utilizan deben recogerse por separado y eliminarse en modo ecológico.

## GARANTÍA

Los productos VONROC han sido fabricados con los estándares de calidad más elevados y garantizamos que están exentos de defectos relacionados con los materiales y la mano de obra durante el período legalmente establecido a partir de la fecha de compra original. Si, durante este periodo, el producto presenta algún fallo de los materiales y/o la mano de obra, póngase en contacto directamente con VONROC.

Las siguientes circunstancias están excluidas de esta garantía:

- Si se han realizado o se ha intentado realizar reparaciones o alteraciones en la máquina por parte de centros de servicio no autorizados.
- Desgaste normal.
- La herramienta ha sido usada impropiaemente, mal utilizada o mantenida incorrectamente.
- Si se han utilizado piezas de repuesto no originales.

Esta constituye la única garantía, expresa e implícita, ofrecida por la empresa. No existen otras garantías expresas o implícitas distintas a la especificada en el presente documento, incluidas las garantías implícitas de comerciabilidad y de adecuación a un propósito particular. VONROC no será responsable bajo ninguna circunstancia de ningún daño incidental o consecuente. Los recursos de los distribuidores están limitados a la reparación o sustitución de las unidades o piezas no conformes.

**El producto y el manual de usuario están sujetos a variaciones. Las especificaciones pueden variarse sin aviso previo.**

## 1. ISTRUZIONI DI SICUREZZA

Leggere le avvertenze di sicurezza allegate, le avvertenze di sicurezza aggiuntive e le istruzioni contenute in questo manuale. La mancata osservanza delle avvertenze e istruzioni di sicurezza potrebbe dar luogo a scosse elettriche, incendi e/o lesioni personali gravi. Conservare le avvertenze di sicurezza e le istruzioni per riferimenti futuri.

I simboli riportati di seguito vengono utilizzati all'interno del manuale d'uso oppure sono indicati sul prodotto:



Leggere il manuale per l'utilizzatore.



Denota il rischio di lesioni personali, morte o danni all'apparecchio in caso di mancata osservanza delle istruzioni contenute in questo manuale.



Rischio di scossa elettrica.



Temperatura massima 45°C.



Non gettare la batteria nel fuoco.



Non gettare la batteria nell'acqua.



Indossare un elmetto di protezione.



Indossare occhiali di sicurezza.



Non esporre alla pioggia.



Tenere le mani lontane dalla lama.



Prestare attenzione agli oggetti proiettati in aria. Tenere le persone presenti a debita distanza.



Tenere il prodotto lontano dalle linee dell'alta tensione!



Distanza minima 10 metri.



Apparecchio di Classe II. Doppio isolamento. Non è necessario il collegamento a terra.



Fusibile miniaturizzato ritardato.



Raccolta differenziata per la batteria agli ioni di litio.



Non smaltire il prodotto in contenitori non idonei.



Il prodotto è conforme alle norme di sicurezza applicabili ai sensi delle direttive europee vigenti.

## AVVERTENZE DI SICUREZZA GENERALI PER GLI ELETTROUTENSILI



**AVVERTENZA! Leggere tutte le avvertenze di sicurezza e tutte le istruzioni.** La mancata osservanza delle avvertenze e istruzioni può dar luogo a scosse elettriche, incendi e/o lesioni gravi.

### Conservare tutte le avvertenze e le istruzioni per riferimenti futuri.

Il termine "elettroutensile" che ricorre nelle avvertenze si riferisce al proprio utensile elettrico alimentato dalla rete (con cavo) o a batteria (senza fili).

#### 1) Sicurezza dell'area di lavoro

- Mantenere l'area di lavoro pulita e ben illuminata.** Gli ambienti disordinati o scarsamente illuminati favoriscono gli incidenti.
- Evitare di usare gli elettroutensili in ambienti esposti al rischio di esplosione, come ad esempio in presenza di liquidi, gas o polveri infiammabili.** Gli elettroutensili generano scintille che possono incendiare polveri o fumi.
- Tenere lontani bambini e altre persone presenti nelle vicinanze mentre si usa un elettroutensile.** Le distrazioni possono causare la perdita di controllo.

#### 2) Sicurezza elettrica

- Le spine dell'elettroutensile devono essere adatte alla presa di corrente. Non modificare la spina in alcun modo. Non utilizzare spine con adattatore per un elettroutensile dotato di messa a terra.** Per ridurre il rischio di scosse elettriche evitare di modificare le spine e utilizzare sempre le prese di corrente appropriate.
- Evitare il contatto fisico con superfici collegate a terra, come tubi, radiatori, forni e frigoriferi.** Se il corpo dell'utilizzatore è collegato a terra, il rischio di scosse elettriche aumenta.

- c) **Non esporre gli elettroutensili alla pioggia o all'umidità.** Se dovesse penetrare dell'acqua all'interno dell'elettroutensile, il rischio di scosse elettriche aumenta.
- d) **Non utilizzare il cavo di alimentazione in modo improprio. Non spostare, tirare o scollegare mai l'elettroutensile dalla presa di corrente tirandolo dal cavo. Tenere il cavo di alimentazione lontano da fonti di calore, olio, bordi taglienti o parti in movimento.** Se il cavo di alimentazione è danneggiato o impigliato, il rischio di scosse elettriche aumenta.
- e) **Quando l'elettroutensile viene usato all'aperto, utilizzare unicamente prolunghie omologate per l'impiego all'esterno.** L'uso di un cavo idoneo per esterni riduce il rischio di scosse elettriche.
- f) **Se non è possibile evitare di utilizzare un elettroutensile in una zona umida, collegarsi a una rete elettrica protetta da un interruttore differenziale salvavita (RCD).** L'uso di un RCD riduce il rischio di scosse elettriche.
- 3) Sicurezza personale**
- a) **Quando si utilizza un elettroutensile evitare di distrarsi. È importante concentrarsi su quello che si sta facendo e usare il buon senso. Non utilizzare l'elettroutensile quando si è stanchi o sotto l'effetto di stupefacenti, alcool o medicinali.** Un solo attimo di distrazione durante l'uso di un elettroutensile potrebbe provocare gravi lesioni personali.
- b) **Utilizzare dispositivi di protezione individuale. Indossare sempre occhiali di sicurezza.** L'impiego di dispositivi di protezione individuale, quali mascherine antipolvere, scarpe antinfortunistiche antiscivolo, elmetti di sicurezza o protezioni per l'udito, nelle condizioni opportune, consente di ridurre le lesioni personali.
- c) **Prevenire l'avvio accidentale. Accertarsi che l'interruttore sia nella posizione di spegnimento, prima di collegare l'elettroutensile alla rete elettrica e/o alla batteria, di prenderlo in mano o di trasportarlo.** Per non esporsi al rischio di incidenti, non trasportare l'elettroutensile tenendo le dita sull'interruttore di accensione/spegnimento e non collegarlo a una fonte di alimentazione elettrica con il suddetto interruttore in posizione di accensione.
- d) **Prima di accendere l'elettroutensile rimuovere eventuali chiavi o utensili di regolazione.** Un attrezzo di regolazione o una chiave inseriti in una parte rotante dell'elettroutensile possono provocare lesioni personali.
- e) **Non sbilanciarsi. Mantenere sempre un appoggio e un equilibrio adeguati.** In tal modo è possibile mantenere un migliore controllo dell'elettroutensile nelle situazioni impreviste.
- f) **Indossare abiti adeguati. Non indossare abiti ampi o gioielli. Tenere i capelli, gli indumenti e i guanti lontano dalle parti mobili.** Abiti non aderenti, gioielli o capelli lunghi possono impigliarsi nelle parti in movimento.
- g) **Se gli elettroutensili sono provvisti di attacchi per il collegamento di dispositivi di aspirazione o di raccolta delle polveri, assicurarsi che essi siano installati e utilizzati correttamente.** L'impiego di dispositivi di aspirazione delle polveri può ridurre i pericoli legati alle stesse.
- h) **Non lasciare che la dimestichezza acquisita dall'uso frequente induca l'utilizzatore ad assumere comportamenti imprudenti e a ignorare i principi di sicurezza per l'elettroutensile.** Una semplice distrazione può provocare gravi lesioni personali in una frazione di secondo.
- 4) Uso e cura dell'elettroutensile**
- a) **Non forzare l'elettroutensile. Utilizzare l'elettroutensile corretto per il lavoro da svolgere.** L'elettroutensile corretto funziona meglio e in modo più sicuro, se utilizzato alla velocità per cui è stato progettato.
- b) **Non utilizzare l'elettroutensile se il rispettivo interruttore di accensione/spegnimento non funziona.** Qualsiasi elettroutensile che non possa essere controllato tramite l'interruttore di accensione/spegnimento è pericoloso e deve essere riparato.
- c) **Scollegare la spina dalla presa di corrente e/o il pacco batteria dall'elettroutensile prima di effettuare qualsiasi tipo di regolazione, cambiare gli accessori o riporlo.** Queste misure di sicurezza preventive riducono il rischio di azionare accidentalmente l'elettroutensile.
- d) **Quando non vengono usati, gli elettroutensili devono essere custoditi fuori dalla portata dei bambini. Non consentire l'uso dell'elettroutensile a persone inesperte o che non abbiano letto questo manuale di istruzioni.** Gli elettroutensili sono pericolosi in mano a persone inesperte.
- e) **Sottoporre gli elettroutensili a regolare manutenzione. Verificare che le parti mobili siano**

**correttamente allineate e non inceppate, che non vi siano componenti rotti e che non sussistano altre condizioni che possono compromettere il funzionamento dell'elettrotensile. Se l'elettrotensile dovesse essere danneggiato, farlo riparare prima dell'uso.** Molti incidenti sono provocati da elettrotensili non sottoposti a una corretta manutenzione.

- f) **Mantenere affilati e puliti gli utensili da taglio.** La manutenzione corretta degli utensili da taglio con bordi affilati riduce le probabilità di inceppamento e ne facilita il controllo.
  - g) **Utilizzare l'elettrotensile, gli accessori, le punte, ecc. in conformità a queste istruzioni, tenendo conto delle condizioni operative e del lavoro da eseguire.** L'utilizzo dell'elettrotensile per impieghi diversi da quelli previsti può provocare situazioni di pericolo.
  - h) **Mantenere le impugnature e le superfici di presa asciutte, pulite e libere da olio e grasso.** Impugnature e superfici di presa scivolose non consentono di maneggiare e controllare in sicurezza l'elettrotensile in situazioni impreviste.
- 5) Uso e cura dell'utensile a batteria**
- a) **Ricaricare la batteria esclusivamente con il caricabatterie specificato dal fabbricante.** Un caricabatterie adatto a un determinato tipo di pacco batteria potrebbe comportare il rischio di incendio se viene utilizzato con un pacco batteria diverso.
  - b) **Gli elettrotensili devono essere usati esclusivamente con i tipi di batterie specificatamente indicati.** L'uso di batterie di tipi diversi può comportare il rischio di lesioni e di incendio.
  - c) **Quando il pacco batteria non viene utilizzato, tenerlo lontano da oggetti metallici, come fermagli, monete, chiavi, chiodi, viti o altri piccoli oggetti di metallo, che potrebbero provocare un contatto dei terminali.** Se i morsetti della batteria vengono cortocircuitati potrebbero provocare ustioni o un incendio.
  - d) **In condizioni di sovraccarico, potrebbe fuoriuscire del liquido dalla batteria: evitare il contatto. In caso di contatto, sciacquare con abbondante acqua. Se il liquido dovesse entrare a contatto con gli occhi, rivolgersi anche a un medico.** Il liquido fuoriuscito dalla batteria può causare irritazione o ustioni.
  - e) **Non utilizzare un pacco batteria o l'elettrotensile se danneggiati o manomessi.** Pacchi

batteria danneggiati o manomessi potrebbero avere comportamenti imprevisti con il rischio di incendiarsi, esplodere o provocare lesioni a persone.

- f) **Non esporre un pacco batteria o l'elettrotensile al fuoco o a temperature troppo elevate.** L'esposizione alle fiamme o a temperature superiori a 130 °C potrebbe provocare un'esplosione. NOTA: la temperatura di "130 °C" corrisponde a "265 °F".
  - g) **Seguire tutte le istruzioni per la carica e non caricare il pacco batteria o l'utensile a temperature che non rientrino nell'intervallo specificato nelle istruzioni.** Una carica effettuata in maniera scorretta o a una temperatura che non rientra nell'intervallo di valori specificato, potrebbe danneggiare la batteria aumentando il rischio d'incendio.
- 6) Assistenza**
- a) **L'assistenza per l'elettrotensile deve essere prestata da un tecnico qualificato che utilizzi soltanto ricambi originali.** In questo modo viene garantita la sicurezza dell'elettrotensile.
  - b) **Non tentare in nessun caso di riparare pacchi batteria danneggiati.** La riparazione dei pacchi batteria deve essere effettuata esclusivamente dal fabbricante e o presso centri di assistenza autorizzati.

## AVVERTENZE DI SICUREZZA RIGUARDANTI IL POTATORE CON ASTA TELESCOPICA

- a) **Tenere tutte le parti del corpo lontano dalla catena del potatore.** Non rimuovere il materiale tagliato né tenere fermo con le mani il materiale da tagliare quando la catena è in movimento. Assicurarsi che l'utensile sia spento e che la batteria sia rimossa quando si elimina il materiale inceppato. Un attimo di distrazione durante l'uso della catena potrebbe provocare gravi lesioni personali.
- b) **Afferrare l'elettrotensile solo dalle superfici di presa isolate, dato che esso potrebbe venire a contatto con fili elettrici nascosti.** Il contatto tra la catena del potatore e un cavo sotto tensione mette sotto tensione anche le parti metalliche esposte dell'elettrotensile, con il rischio di scosse elettriche per l'operatore.
- c) **Mantenere una presa salda sull'elettrotensile, posizionando il corpo e le braccia in modo da resistere alle forze di contraccolpo.** Con le

necessarie precauzioni, le forze di contraccolpo possono essere controllate dall'operatore. Non lasciare andare il potatore con asta telescopica.

- d) **Quando si taglia un ramo prestare attenzione ai contraccolpi.** Quando il ramo viene spezzato, potrebbe piegarsi verso il basso e bloccare la catena del potatore.
- e) **Trasportare il potatore spento, afferrandolo sempre con entrambe le mani e con il copri-catena montato.** La corretta manipolazione del potatore riduce la probabilità di contatto accidentale con la catena in movimento.
- f) **Non utilizzare un potatore con asta telescopica dopo essere saliti su un albero.** L'utilizzo del potatore mentre ci si arrampica o ci si trova su un albero potrebbe causare lesioni personali.
- g) **Mantenere sempre un buon equilibrio e utilizzare il potatore solo quando ci si trova su una superficie fissa, sicura e orizzontale.** Superfici scivolose o poco stabili come le scale a pioli, possono causare la perdita di equilibrio o di controllo del potatore.
- h) **Seguire le istruzioni per la lubrificazione, il tensionamento della catena e il cambio degli accessori.** Le catene tese o lubrificate in modo errato possono o rompersi o aumentare la probabilità di contraccolpi.
- i) **Mantenere le impugnature pulite e libere da tracce di olio o grasso.** La presenza di olio o grasso sulle impugnature può renderle scivolose e causare la perdita di controllo dell'elettro-utensile.
- j) **Tagliare solo legno.** Non usare il potatore con asta telescopica per scopi diversi da quelli per cui è destinato. Per esempio, non utilizzare il potatore per tagliare plastica, muratura o materiali da costruzione diversi dal legno. L'impiego della potatore con asta telescopica per scopi diversi da quelli previsti potrebbe dar luogo a situazioni di pericolo.
- k) **Cause e prevenzione dei contraccolpi per l'operatore:**
- possono verificarsi contraccolpi quando la punta della barra di guida tocca un oggetto o quando il legno tagliato si richiude e incastra la catena del potatore nel taglio;
  - in alcuni casi il contatto con la punta della barra di guida di scorrimento può causare una reazione improvvisa all'indietro, nel corso della quale la barra di guida viene sollevata e scaraventata in direzione dell'operatore;

- se la catena rimane incastrata lungo il bordo superiore della barra di guida è possibile che la barra venga ribaltata rapidamente in direzione dell'operatore.

Entrambe queste reazioni potrebbero causare la perdita di controllo del potatore, con la probabilità che l'operatore subisca pericolose lesioni personali. Ricade sull'operatore del potatore la responsabilità di eseguire lavori di taglio che non causino incidenti o lesioni.

**Il contraccolpo è il risultato di un uso errato o improprio del prodotto. Il contraccolpo può essere evitato prendendo le dovute precauzioni indicate di seguito.**

- l) **Utilizzare esclusivamente le catene di ricambio specificate dal fabbricante.** L'uso di catene di ricambio non idonee può causare la rottura della catena e/o contraccolpi.
- m) **Se la barra è danneggiata e deve essere sostituita, rivolgersi al proprio rivenditore.**
- n) **Per evitare un azionamento accidentale della catena, questo potatore è dotato di un interruttore con interblocco meccanico.** Per azionare il potatore, è necessario premere la sicura prima che la catena entri in funzione.
- Non azionare il prodotto senza premere la sicura.
  - Non utilizzare questo utensile con una sola mano. Tenere il prodotto saldamente con entrambe le mani; una mano per sorreggere il prodotto in modo sicuro e l'altra per azionare l'interruttore di accensione/spegnimento.
- o) **Non consentire in nessun caso di usare il potatore a bambini e persone con capacità fisiche, sensoriali o mentali ridotte, prive di esperienza e conoscenza dell'elettro-utensile e/o che non abbiano dimestichezza con queste istruzioni.** Le normative vigenti a livello locale potrebbero imporre un limite di età per l'operatore.
- p) **I bambini devono essere sorvegliati per assicurarsi che non giochino con l'elettro-utensile.**
- q) **Quando il potatore non viene usato, custodirlo fuori dalla portata dei bambini.**
- r) **Prima dell'uso, ispezionare l'area di lavoro e rimuovere tutte le possibili fonti di pericolo.**
- s) **Attendere sempre che l'elettro-utensile si sia arrestato del tutto e rimuovere la batteria prima di appoggiarlo.** La catena del potatore potrebbe incastrarsi e comportare la perdita di controllo dell'elettro-utensile.



- t) **Quando si cambia posizione di lavoro, spegnere sempre la catena del potatore.**
- u) **Un ramo tagliato può provocare lesioni personali, cadendo addosso all'operatore o rimbalzando dal terreno.** Tagliare i rami più lunghi in vari pezzi.
- v) **Ridurre la forza prima che il ramo sia reciso completamente.** Se si perde l'equilibrio o il controllo del potatore è possibile rimanere feriti.
- w) **Non appendere il potatore quando non lo si sta utilizzando.** Appoggiare sempre l'utensile a terra in un luogo sicuro, senza rimuovere la batteria.

#### AVVERTENZE DI SICUREZZA AGGIUNTIVE

- a) **Questo elettrotensile non è destinato all'uso da parte di persone (compresi i bambini) con capacità fisiche, sensoriali o mentali ridotte, o prive di esperienza e conoscenze,** salvo che siano sorvegliate o ricevano opportune istruzioni riguardo all'uso dello stesso da parte di una persona responsabile della loro sicurezza. I bambini devono essere sorvegliati per assicurarsi che non giochino con l'elettrotensile.
- b) **Durante il lavoro sorreggere saldamente l'elettrotensile con entrambe le mani e mantenere sempre un appoggio e un equilibrio adeguati.** Con entrambe le mani l'elettrotensile viene condotto in modo più sicuro.
- c) **Quando si usa l'elettrotensile controllare sempre che tutte le impugnature e le protezioni siano montate.** Non tentare mai di usare un elettrotensile non completo o che sia stato sottoposto a modifiche non autorizzate.
- d) **Prima dell'uso, lubrificare sempre la catena del potatore, spruzzandovi sopra dell'olio protettivo.**
- e) **Attendere sempre che l'elettrotensile si sia arrestato completamente prima di appoggiarlo.**
- f) **Quando si utilizza l'elettrotensile, mantenere le altre persone ed eventuali animali a una distanza di almeno 3 metri.** L'operatore è responsabile delle altre persone presenti nell'area di lavoro.
- g) **Non afferrare mai il potatore dalla catena.**
- h) **Il potatore non deve essere azionato da bambini o persone che non abbiano letto queste istruzioni.** Le normative vigenti a livello locale potrebbero imporre un limite di età per l'operatore.
- i) **L'operatore è responsabile in caso di incidenti o pericoli che coinvolgano terze persone o beni di loro proprietà.**
- j) **Non utilizzare il potatore a piedi nudi o indossando sandali aperti; indossare sempre calzature robuste e pantaloni lunghi.** Si consiglia di indossare guanti da lavoro resistenti, calzature antiscivolo e occhiali di sicurezza. Non indossare abiti ampi o gioielli che potrebbero rimanere impigliati nei componenti.
- k) **Ispezionare attentamente l'area in cui deve essere usato il potatore e rimuovere eventuali fili metallici e altri oggetti estranei presenti.**
- l) **Prima della messa in funzione, ispezionare la catena, la barra e i bulloni di fissaggio per accertarsi che non siano usurati o danneggiati.** Non utilizzare il potatore se la catena è danneggiata o eccessivamente usurata.
- m) **È necessario essere a conoscenza di come arrestare rapidamente il potatore in caso di emergenza.**
- n) **Usare il potatore solo di giorno o in condizioni di buona illuminazione artificiale.**
- o) **Non utilizzare mai il potatore se la protezione è difettosa o smontata.**
- p) **Non afferrare mai il potatore dalla protezione.**
- q) **Durante l'uso del potatore assicurarsi di mantenere sempre un appoggio e un equilibrio adeguati.**
- r) **Essere sempre consapevoli dell'ambiente circostante e prestare attenzione a possibili pericoli che potrebbero non essere percepiti durante l'utilizzo del potatore.**
- s) **Mantenere tutti i dadi, i bulloni e le viti serrati per essere certi che il potatore sia in condizioni operative sicure.**
- t) **Custodire il potatore con asta telescopica in un luogo asciutto, in posizione elevata o chiuso a chiave, fuori dalla portata dei bambini.**
- u) **Sostituire le parti usurate o danneggiate per garantire la sicurezza.**
- v) **Non tentare di riparare l'elettrotensile se non si è qualificati per farlo.**
- w) **Tenere l'elettrotensile saldamente con entrambe le mani.**

#### AVVERTENZE DI SICUREZZA PER LA BATTERIA

- a) **Non aprire la batteria.** Pericolo di cortocircuito.
- b) **Proteggere la batteria dal calore (come ad esempio dalla luce solare intensa), dal fuoco, dall'acqua e dall'umidità.** Pericolo di esplosione.
- c) **In caso di danni e uso improprio della batteria, potrebbero essere emessi dei vapori. Ventilare l'area e rivolgersi a un medico in caso di**

**malessere.** I vapori possono irritare l'apparato respiratorio.

- d) **Utilizzare la batteria solo in combinazione con il prodotto Vonroc.** Questo accorgimento protegge la batteria da un sovraccarico pericoloso.
- e) **La batteria può essere danneggiata da oggetti appuntiti come chiodi o cacciaviti o da una forza applicata esternamente.** Vi è la possibilità che si verifichi un cortocircuito interno e che la batteria bruci, emetta del fumo, esploda o si surriscaldi.

## AVVERTENZE DI SICUREZZA PER IL CARICA-BATTERIE

### Usò previsto

Caricare esclusivamente pacchi batteria di tipo CD801AA and CD803AA con il caricabatterie. Batterie di tipi diversi potrebbero esplodere provocando lesioni personali e danni.

- a) **L'apparecchio non deve essere usato da persone con capacità fisiche, sensoriali o mentali ridotte (bambini inclusi) o che non hanno alcuna esperienza o conoscenza dell'apparecchio, a meno che non siano sorvegliate o siano state istruite sull'uso del prodotto.**
- b) **Accertarsi che i bambini non giochino con il caricabatterie.**
- c) **Non ricaricare batterie non ricaricabili!**
- d) **Mentre il caricabatteria è in funzione sistemarlo in un luogo ben ventilato!**

### Sicurezza elettrica



*Verificare sempre che la tensione di alimentazione corrisponda alla tensione sulla targhetta dei valori nominali.*

- Non usare l'elettrotensile se il cavo di alimentazione o la spina sono danneggiati o difettosi.
- Utilizzare solo cavi di prolunga adatti per la potenza nominale dell'elettrotensile, che abbiano uno spessore minimo di 1,5 mm<sup>2</sup>. Se si utilizza un cavo di prolunga con avvolgicavo, srotolare sempre il cavo completamente.

## 2. INFORMAZIONI RELATIVE ALL'E-LETTROUTENSILE

### Usò previsto

Questo elettrotensile è destinato all'uso in ambito domestico, per potare alberi e cespugli a un'altezza elevata, mentre l'operatore si trova a terra. L'elettrotensile non è destinato ad essere utilizzato con

l'operatore in piedi su una scala o su dei gradini. Questo elettrotensile non è concepito per tagliare materiale inorganico. Questo elettrotensile non è destinato all'uso in ambienti commerciali o industriali.

### DATI TECNICI



*Il presente manuale d'uso è stato predisposto per diversi set / codici articolo.*

*Verificare il codice articolo corrispondente nella tabella di sottostante per la composizione e i contenuti corretti del proprio set.*

Codice modello	Batterie incluse	Caricabatterie inclusi
<b>CS504DC</b>	-	-
<b>S_CS504DC</b>	CD801AA	CD802AA
<b>S2_CS504DC</b>	2 x CD801AA	CD802AA
<b>S3_CS504DC</b>	CD803AA	CD802AA

Informazioni relative all'elettrotensile	
Tensione	20 V
Velocità catena	5 m/s
Lunghezza barra di guida	200 mm
Lunghezza catena	44 denti
Passo catena	1/4"
Calibro catena	0,043"
Regolazione della lunghezza	200-260 cm
Livello di pressione sonora (LpA)	78,2 dB, k = 3 dB
Livello di potenza sonora (LwA)	88 dB(A), K = 3 dB(A)
LwA garantito	91 dB
Vibrazione	impugnatura anteriore a <sub>h</sub> = 2,74 m/s <sup>2</sup> impugnatura posteriore a <sub>h</sub> = 2,69 m/s <sup>2</sup> K=1,5 m/s <sup>2</sup>
Peso	2,3 kg

<b>Codice modello</b>	<b>CD801AA</b>
Tipo di batteria	Ioni di litio
Tensione	20 V
Capacità	2.0 Ah
Caricabatteria raccomandato	CD802AA
Peso	0,3 kg

<b>Codice modello</b>	<b>CD802AA</b>
Ingresso del caricabatteria	220-240V, 50Hz 0.4A
Uscita del caricabatteria	21V  2.5A
Tempo di ricarica batteria 2Ah	60 minuti
Tempo di ricarica batteria 4Ah	120 minuti
Batterie consigliate	CD801AA, CD803AA
Peso	0,36 kg

<b>Codice modello</b>	<b>CD803AA</b>
Tipo di batteria	Ioni di litio
Tensione	20 V
Capacità	4.0 Ah
Caricabatteria raccomandato	CD802AA
Peso	0,65 kg

Utilizzare esclusivamente le batterie seguenti della piattaforma di batterie da 20 V VONROC VPOWER. L'uso di batterie diverse potrebbe causare gravi lesioni personali o danni all'apparecchio. Batteria agli ioni di litio da 20 V, 2 Ah, CD801AA  
Batteria agli ioni di litio da 20 V, 4 Ah, CD803AA

Il caricabatterie seguente può essere usato per caricare queste batterie.  
Caricabatterie rapido CD802AA

Le batterie della piattaforma VONROC VPOWER 20 V sono intercambiabili con tutti gli elettroutensili a batteria della piattaforma VONROC VPOWER 20 V.

### DESCRIZIONE

I numeri che compaiono nel testo si riferiscono alle figure riportate alle pagine 2-5.

1. Testa del potatore
2. Pulsante di regolazione testa
3. Anello di bloccaggio testa

4. Catena
5. Barra
6. Tappo del serbatoio olio
7. Levetta di bloccaggio asta
8. Interruttore di accensione/spegnimento
9. Asta telescopica
10. Connettore di alimentazione
11. Tracolla
12. Moschettone
13. Copricatena
14. Batteria
15. Caricabatterie
16. Pulsante di sblocco batteria
17. Pulsante per spie a LED della batteria
18. Spie a LED della batteria
19. Spie a LED del caricabatterie

### 3. ASSEMBLAGGIO



*Prima di qualsiasi intervento (manutenzione, cambio utensile, montaggio) sull'elettroutensile, rimuovere la batteria.*



*Prima del primo utilizzo la batteria deve essere caricata.*

#### Inserimento della batteria nell'elettroutensile (Fig. B-1)

Assicurarsi che la batteria sia pulita esternamente prima di collegarla al caricabatterie o all'elettroutensile.

1. Inserire la batteria (14) nella base dell'elettroutensile, come illustrato nella Fig. B-1.
2. Spingere in avanti la batteria finché scatta in posizione con un clic.

#### Rimozione della batteria dall'elettroutensile (Fig. B-1)

1. Premere il pulsante di sblocco batteria (16).
2. Estrarre la batteria dall'elettroutensile, come illustrato nella Fig. B-1.

#### Verifica dello stato di carica della batteria (Fig. B-2)

- Per verificare lo stato di carica della batteria, premere brevemente il pulsante (17) sulla batteria.
- La batteria presenta 3 spie che indicano il livello di carica: più spie sono accese più la batteria è carica.

- Se le spie non si illuminano significa che la batteria è completamente scarica e deve essere ricaricata immediatamente.

### Ricarica della batteria con il caricabatterie (Fig. B-2)

1. Rimuovere la batteria (14) dall'elettrotensile.
2. Capovolgere la batteria (14) e inserirla nel caricabatterie (15), come illustrato nella Fig. B-2.
3. Spingere la batteria finché si incastra nell'apposito alloggiamento.
4. Collegare la spina del caricabatterie a una presa di corrente e attendere un momento. Le spie a LED sul caricabatterie (19) si illuminano e mostrano lo stato di carica della batteria.

### Sul caricabatterie sono presenti 2 spie a LED (19) che mostrano lo stato del processo di ricarica:

Stato LED rosso	Stato LED verde	Stato caricabatterie
Spento	Spento	Corrente assente
Spento	Acceso fisso	Modalità standby: - nessuna batteria presente oppure: - batteria presente e ricarica terminata
Acceso fisso	Spento	In carica

- Per ricaricare completamente la batteria da 2 Ah possono essere necessari fino a 60 minuti.
- Per ricaricare completamente la batteria da 4 Ah possono essere necessari fino a 120 minuti.

Una volta caricata la batteria, rimuovere la spina del caricabatterie dalla presa di corrente e rimuovere la batteria dal caricabatterie.



*Se si prevede che l'apparecchio non sarà usato per un periodo prolungato si consiglia di riporlo con la batteria carica.*

### Assemblaggio dell'elettrotensile (Fig. C, D)

- Fissare la tracolla (11) all'occhiello sull'asta telescopica (9) utilizzando il moschettoni (12).
- Sganciare l'anello di bloccaggio della testa (3) ruotandolo in senso antiorario. Non rimuovere completamente l'anello dalla testa.
- Montare la testa del potatore (1) sull'asta telescopica (9) inserendo il connettore di alimentazione (10) nella testa.

- Se il connettore (10) non è inserito correttamente, potrebbe mancare il collegamento elettrico e il potatore non funzionerà. Assicurarsi che il connettore di alimentazione sia completamente inserito nella testa del potatore. La vite (20) sull'asta telescopica deve essere coperta dalla testa del potatore (1) e dall'anello di bloccaggio (3).
- Fissare la testa del potatore (1) ruotando l'anello di bloccaggio (3) in senso orario.



*Non allacciare mai la cintura in diagonale tra la spalla e il torace, ma posizionarla su una delle due spalle. In questo modo è possibile sfilarsi rapidamente l'utensile dal corpo in caso di pericolo.*

### Regolazione dell'altezza dell'asta telescopica (Fig. E-1, E-2)

- Sbloccare la levetta (7) per rilasciare l'asta telescopica (9).
- Estendere o ritrarre l'asta telescopica (9) fino alla lunghezza desiderata.
- Bloccare l'asta telescopica con la levetta (7).

### Regolazione della testa orientabile del potatore (Fig. F-1, F-2)

- Premere il pulsante (2) sul lato della testa del potatore (1).
- Regolare la testa nella posizione desiderata.
- Rilasciare il pulsante (2) e assicurarsi che la testa sia bloccata in posizione.

## 4. UTILIZZO

### Prima dell'uso (Fig. G)

Rimuovere il copricatena (13) e controllare il livello dell'olio nel serbatoio (6). Non utilizzare il potatore se il serbatoio dell'olio è vuoto. Utilizzare esclusivamente olio per catene di seghe biodegradabile. Verificare il corretto tensionamento della catena (4). Il tensionamento della catena è corretto quando è possibile sollevarla di circa 2-3 mm con la mano al centro della barra (5).

### Accensione e spegnimento

Tenere sempre il potatore con asta telescopica con entrambe le mani. Mettere una mano sull'asta telescopica (9) e una mano sull'impugnatura posteriore vicino all'interruttore di accensione/spegnimento. Tenere premuto l'interruttore di accensione/spegnimento (8) per mettere in funzione il tagliasiepi. Quando l'interruttore di accensione/spegnimento viene rilasciato il tagliasiepi si arresta in automatico.

**Durante l'uso**

Portare la catena a regime prima che venga a contatto con il legno. Non forzare il potatore durante il taglio. Mantenere l'elettrotensile a una velocità costante e lasciare che sia la catena a fare il lavoro. Controllare periodicamente il livello dell'olio nel serbatoio e rabboccare l'olio prima che il serbatoio si svuoti del tutto. Quando si segano rami grossi/lunghi, si consiglia di tagliarli in più parti.

**Dopo l'uso**

Eliminare lo sporco e i detriti dalla catena (4) con uno spazzolino o un panno. Prima di riporre il potatore infilare il copricatena (13) e rimuovere la batteria (14). Per prevenire fuoriuscite di olio durante il periodo di conservazione, scaricare l'olio residuo dal serbatoio (6) in un contenitore adatto.

**5. MANUTENZIONE**

*Prima di eseguire qualsiasi operazione di pulizia e intervento di manutenzione, spegnere sempre l'elettrotensile e rimuovere la batteria dall'elettrotensile.*

Pulire regolarmente la parte esterna del corpo macchina con un panno morbido, preferibilmente dopo ogni uso. Assicurarsi che le prese d'aria siano libere da polvere e sporcizia. Rimuovere lo sporco particolarmente ostinato con un panno morbido inumidito con acqua e sapone. Non utilizzare solventi come benzina, alcol, ammoniacca, ecc. Le sostanze chimiche di questo tipo danneggiano i componenti sintetici dell'utensile.

**Regolazione della tensione della catena (Fig. H)**

Con il passare del tempo la normale usura provocherà un lento allungamento della catena. Il potatore è dotato di un meccanismo di tensionamento che consente di compensare questo allungamento. Ruotare il bullone di tensionamento della catena (21) sul lato anteriore del potatore per regolare la tensione della catena. Il tensionamento della catena (4) è corretto quando è possibile sollevarla di circa 2-3 mm con la mano al centro della barra (5). Quando il meccanismo di tensionamento non è più in grado di compensare completamente l'allungamento della catena, significa che la catena è usurata e deve essere sostituita.

**Sostituzione della catena (Fig. H)**

1. Allentare la vite (22) e rimuovere il coperchio (23).
2. Rimuovere la catena (4) e la barra (5). Gettare la vecchia catena.
3. Porre la nuova catena attorno alla barra. Assicurarsi che la misura della nuova catena sia corretta e rispettare la corretta direzione di scorrimento della catena.
4. Montare la catena sul pignone di trasmissione e rimontare la barra.
5. Accertarsi che tutte le parti siano posizionate correttamente quindi rimontare il coperchio (23) e serrare la vite (22).
6. Controllare la tensione della catena e regolarla, se necessario.

**Conservazione**

Il potatore con asta telescopica deve essere riposto in un luogo sicuro e asciutto, fuori dalla portata dei bambini. Non posizionarvi sopra altri oggetti. Si noti che nel tappo del serbatoio dell'olio (6) è presente un piccolo canale di sfiato. Per evitare perdite di olio attraverso il canale di sfiato del tappo, il potatore deve essere conservato in posizione orizzontale, con il tappo del serbatoio rivolto verso l'alto. In alternativa, se il potatore deve essere conservato in una posizione diversa, l'olio deve essere fatto defluire dal serbatoio in un contenitore adatto, per evitare perdite durante lo stoccaggio.

**RISPETTO AMBIENTALE**

*Le apparecchiature elettriche o elettroniche difettose e/o scartate devono essere raccolte presso gli opportuni siti di riciclaggio.*

**Solo per i Paesi dell'UE**

Non smaltire gli elettrotensili insieme ai rifiuti domestici. Secondo la Direttiva europea 2012/19/CE sui rifiuti delle apparecchiature elettriche ed elettroniche e relativa implementazione nelle normative locali, gli apparecchi elettrici ormai inutilizzabili devono essere raccolti separatamente e smaltiti nel rispetto dell'ambiente.

**GARANZIA**

I prodotti VONROC sono sviluppati secondo gli standard di qualità più elevati e sono garantiti esenti da difetti sia per quanto riguarda i materiali che

la lavorazione per il periodo stabilito per legge a decorrere dalla data di acquisto iniziale. Se durante questo periodo il prodotto dovesse presentare dei difetti di materiali e/o di lavorazione, contattare direttamente VONROC.

Le seguenti circostanze sono escluse dalla garanzia:

- esecuzione o tentativo di esecuzione di riparazioni o modifiche all'apparecchio da parte di personale di centri di assistenza non autorizzati;
- usura normale;
- maltrattamento, uso improprio o manutenzione inadeguata dell'apparecchio;
- impiego di ricambi non originali.

La presente costituisce l'unica garanzia espressa o implicita fornita dall'azienda. Non sono concesse altre garanzie, né espresse né implicite, oltre a quelle descritte in questo documento, comprese le garanzie implicite di commerciabilità e idoneità per uno scopo particolare. In nessun caso VONROC sarà ritenuta responsabile di alcun danno incidentale o consequenziale. I rimedi offerti dai rivenditori si limiteranno alla riparazione o alla sostituzione delle unità o dei componenti non conformi.

**Il prodotto e il manuale d'uso sono soggetti a modifiche. I dati tecnici possono essere modificati senza ulteriore notifica.**

## 1. SÄKERHETSANVISNINGAR

Läs de medföljande säkerhetsvarningarna, de kompletterande säkerhetsvarningarna och anvisningarna. Underlåtenhet att följa säkerhetsvarningarna och anvisningarna kan orsaka elstöt, brand och/eller allvarlig skada. Spara säkerhetsvarningarna och anvisningarna som framtida referensmaterial.

Följande symboler används i användarhandboken eller på produkten:



Läs användarhandboken.



Anger risk för personskada, dödsfall eller skada på verktyget om anvisningarna i denna handbok inte följs.



Risk för elstöt.



Maxtemperatur 45°C.



Kasta inte batteriet i elden.



Kasta inte batteriet i vatten.



Använd huvudskydd.



Använd skyddsglasögon.



Utsätt inte den för regn.



Håll händerna borta från bladet.



Se upp för föremål som kastas ut. Håll åskådare borta.



Håll produkten borta från högspänningsledningar! Minsta avstånd 10 meter.



Apparat klass II. Dubbel isolering - du behöver ingen jordad kontakt.



Länk till tidsfördröjd miniatrysäkring.



Separat återvinning av litiumjonbatteriet.



Kassera inte produkten i olämpliga containrar.



Produkten uppfyller gällande säkerhetsnormer i EU-direktiven.

## ALLMÄNNA SÄKERHETSFÖRESKRIFTER FÖR ELVERKTYG



**VARNING! Läs alla säkerhetsvarningar och alla anvisningar.** Underlåtenhet att följa varningar och instruktioner kan resultera i elstötar, brand och/eller allvarliga skador.

### Spara alla varningar och instruktioner för framtida referens.

Uttrycket "elverktyg" i varningarna avser ditt nätanslutna (med sladd) verktyg eller batteridrivna (sladdlösa) elektriska verktyg.

#### 1) Arbetsplats säkerhet

- Håll arbetsplatsen ren och välbelyst.** Belamrade eller mörka områden inbjuder till olyckor.
- Använd inte elektriska verktyg i explosiva atmosfärer, såsom i närvaro av lättantändliga vätskor, gaser eller damm.** Elverktyg skapar gnistor som kan antända damm eller ångor.
- Håll barn och åskådare borta medan du arbetar med ett elverktyg.** Om du blir distraherad kan du tappa kontrollen.

#### 2) Elsäkerhet

- Verktygets elkontakt måste passa till vägguttaget. Ändra inte kontakten på något sätt. Använd inte adapterkontakter med jordade elverktyg.** Omodifierade kontakter och matchande uttag minskar risken för elektrisk stöt.
- Undvik kroppskontakt med jordade ytor såsom rör, värmeelement, spisar och kylskåp.** Det finns en ökad risk för elektrisk stöt om din kropp är jordansluten eller jordad.
- Utsätt inte elektriska verktyg för regn eller väta.** Vatten som tränger in i ett elverktyg ökar risken för elstöt.
- Hantera inte elkabeln felaktigt. Använd aldrig sladden för att bära, dra eller koppla bort elverktyget från uttaget. Håll sladden borta från värme, olja, vassa kanter eller rörliga delar.** Skadade eller tilltrasslade sladdar ökar risken för elektrisk stöt.
- När du arbetar med ett elverktyg utomhus, använd en förlängningssladd som passar för**

**utomhusanvändning.** Användning av en sladd som passar för utomhusanvändning minskar risken för elektrisk stöt.

- Om arbete med ett elverktyg i en fuktig lokal är oundvikligt, använd ett uttag som är skyddat med jordfelsbrytare.** Användning av jordfelsbrytare minskar risken för elstöt.
- ### 3) Personlig säkerhet
- Var uppmärksam, kontrollera vad du gör och använd sunt förnuft när du arbetar med ett elektriskt verktyg. Använd inte ett elverktyg när du är trött eller påverkad av droger, alkohol eller medicinering.** Ett ögonblicks ouppmärksamhet under arbetet kan resultera i allvarliga personskador.
  - Använd personlig skyddsutrustning. Bär alltid ögonskydd.** Skyddsutrustning såsom dammfilterskydd, hals säkra säkerhetsskor, skyddshjälm eller hörselskydd som används för lämpliga förhållanden minskar personskador.
  - Förebygg oavsiktlig igångsättning. Se till att strömbrytaren är i avstängd position innan anslutning till strömkällan och/eller batteriet, verktyget lyfts upp eller bärs.** Om du bär elverktyg med ditt finger på strömbrytaren eller ansluter ett påkopplat elverktyg till nätströmmen kan en olycka inträffa.
  - Avlägsna eventuell justeringsnyckel eller skiftnyckel innan du sätter på elverktyget.** En skiftnyckel eller en nyckel som sitter kvar på en roterande del av elverktyget kan resultera i personskada.
  - Böj dig inte för långt. Bibehåll alltid ordentligt fotfäste och balans.** Detta möjliggör bättre kontroll av elverktyget i oväntade situationer.
  - Bär lämpliga kläder. Använd inte vida kläder eller smycken. Håll hår, kläder och handskar borta från rörliga delar.** Lösa kläder, smycken eller långt hår kan fastna i rörliga delar.
  - Om enheten är försedd med anslutning av dammsug och uppsamlingsmöjlighet, se till att dessa är anslutna och används korrekt.** Dammpptagning minskar dammrelaterade risker.
  - Låt inte erfarenheten som uppnås vid frekvent användning av verktyg låta dig bli för självsäker och ignorera verktygs säkerhetsprinciperna.** En oförsiktig handling kan orsaka allvarliga skador under bråkdelen av en sekund.

- 4) Användning och skötsel av elverktyg**
- Bruka inte våld när du använder elverktyget. Använd rätt slags elektriska verktyg för ditt arbete.** Rätt elverktyg gör arbetet bättre och säkrare vid den hastighet som det har konstruerats för.
  - Använd inte elverktyget om strömbrytaren inte sätter på och stänger av det.** Ett elverktyg som inte kan kontrolleras med strömbrytaren är farligt och måste repareras.
  - Dra ur kontakten från strömkällan och/eller batteriet från elverktyget innan du gör några justeringar, byter tillbehör eller lägger undan elverktygen för förvaring.** Sådana förebyggande säkerhetsåtgärder minskar risken att oavsiktligt starta elverktyget.
  - Förvara elverktyg oåtkomliga för barn och låt inte personer som är obekanta med verktyget eller dessa instruktioner använda verktyget.** Elektriska verktyg är farliga i händerna på oerfarna användare.
  - Underhåll elektriska verktyg. Kontrollera för feljustering eller om rörliga delar har fastnat, bristning hos delar och andra eventuella förhållanden som kan komma att påverka elverktygets funktion. Om det är skadat, se till att elverktyget blir reparerat före användning.** Många olyckor orsakas av dåligt underhållna elektriska verktyg.
  - Håll kapverktyg vassa och rena.** Korrekt underhållna kapverktyg med vassa kanter är mindre troliga att kärva och lättare att kontrollera.
  - Använd elverktyget, dess tillbehör och verktyg i enlighet med dessa instruktioner och under beaktande av arbetsförhållandena och det arbete som ska utföras.** Användning av elverktyget för andra uppgifter än vad som avsetts kan resultera i farliga situationer.
  - Se till att handtagen är torra, rena och fria från olja och fett.** Hala handtag och greppytor tillåter inte säker hantering och kontroll av verktyget i oväntade situationer.
- 5) Användning och skötsel av batteridrivna verktyg**
- Ladda endast med den laddare som är specificerad av tillverkaren.** En laddare som passar för en typ av batteri kan medföra risk för brand när den används med en annat batteri.
  - Använd elverktygen enbart med det därtill avsedda batteriet.** Användning av andra batterier kan skapa en risk för skada och brand.
- När batteriet inte används, håll det borta från andra metallföremål, såsom gem, mynt, nycklar, spikar, skruvar eller andra små metallföremål som kan skapa en förbindelse från ena polen till den andra.** Kortslutning av batteriets terminaler kan leda till brännskada eller brand.
  - Vid felaktig hantering kan vätska komma ut från batteriet, undvik kontakt med denna. Spola med vatten vid oavsiktlig kontakt. Sök läkarhjälp om vätskan kommer i kontakt med ögon.** Vätska som kommer ut från batteriet kan orsaka irritation eller brännskada.
  - Använd inte batterier eller verktyg som är skadade eller modifierade.** Skadade eller modifierade batterier kan uppvisa oförutsägbart beteende som kan leda till brand, explosion eller risk för skada.
  - Utsätt inte batteri eller verktyg för eld eller överdriven temperatur.** Exponering för brand eller temperatur över 130 °C kan orsaka explosion. OBS! Temperaturen "130 °C" kan ersättas med temperaturen "265 °F".
  - Följ alla laddningsanvisningar och ladda inte batteriet eller verktyget utanför det temperaturområde som anges i instruktionerna.** Om du laddar batteriet felaktigt eller vid temperaturer utanför det angivna området kan det skada batteriet och öka risken för brand.
- 6) Service**
- Se till att ditt elverktyg får service av en kvalificerad reparatör, som endast använder identiska ersättningsdelar.** Detta säkerställer att elverktygets säkerhet upprätthålls.
  - Utför aldrig service på skadade batterier.** Service av batteri ska endast utföras av tillverkaren eller auktoriserade serviceleverantörer.
- TELESKOPMOTORSÅG VARNINGAR**
- Håll alla kroppsdelar borta från sågkedjan.** Ta inte bort kapat material eller håll kvar material som ska skäras när sågkedjan rör sig. Se till att verktyget är avstängt och att batteriet är borttaget när du tar bort material som har fastnat. Ett ögonblicks oppmärksamhet under arbetet med motorsågen kan resultera i allvarliga personskador.
  - Håll endast elverktyget i de isolerade greppytorna eftersom det finns risk för att skärbladet kommer i kontakt med dolda ledningar.** Sågkedjor som kommer i kontakt med en ström-



förande ledning kan orsaka att elverktygets synliga metalldelar blir strömförande och ger användaren en elstöt.

- c) **Ha ett stadigt grepp om elverktyget och placera din kropp och arm på ett sätt som gör att du kan stå emot rekylkrafterna.** Användaren kan kontrollera rekyler om rätt försiktighetsåtgärder vidtas. Släpp inte motorsågen.
- d) **Var uppmärksam på rekyll när du klipper en gren.** När grenen är bruten kan den böjas ner och klämma sågkedjan.
- e) **Bär motorsågen avsängd, alltid med båda händerna och sågkedjeskyddet monterad.** Korrekt hantering av motorsågen minskar sannolikheten för oavsiktlig kontakt med den rörliga sågkedjan.
- f) **Använd inte teleskopmotorsågen i ett träd.** Användning av en teleskopmotorsåg när du klättrar eller är placerad i ett träd kan leda till personskada.
- g) **Se alltid till att ha ordentligt fotfäste och stå stadigt, säkert och på jämnt underlag när du använder motorsågen.** Hala eller instabila underlag, t.ex. stegar, kan få dig att tappa balansen eller förlora kontrollen över motorsågen.
- h) **Följ instruktionerna för smörjning, kedjespänning och byte av tillbehör.** En felaktigt spänd eller smord kedja kan gå av eller medföra ökad risk för rekyll.
- i) **Håll handtagen torra, rena, och fria från olja och fett.** Feta och oljiga handtag som är hala orsakar förlust av kontroll.
- j) **Kapa endast trä.** Använd inte teleskopmotorsågen för ändamål som den inte är avsedd för. Exempel: Använd den inte till att såga plast, murverk eller material som inte är av trä. Användningen av teleskopmotorsågen för andra uppgifter än det den är avsedd för skulle kunna resultera i en farlig situation.
- k) **Orsaker till och förebyggande av kast:**
  - Kast kan uppstå när nosen eller spetsen av svärdet vidrör ett föremål, eller när träet stänger in och klämmer sågkedjan i snittet.
  - Noskontakt kan orsaka en plötslig omvänd reaktion och slunga svärdet upp och bakåt mot operatören.
  - Att klämma ihop sågkedjan längs svärdets oavsida kan trycka svärdet snabbt tillbaka mot operatören.

Båda dessa reaktioner kan leda till att du tappar kontrollen över teleskopmotorsågen, vilket kan leda till allvarliga personskador. Som användare av motorsåg bör du vidta flera steg för att skydda dig mot olyckor eller skador.

**Kast är resultatet av felaktig användning av produkten. Kast kan undvikas genom att vidta lämpliga försiktighetsåtgärder enligt nedan.**

l) **Använd endast ersättningsågkedjor som specificerats av tillverkaren.** Felaktiga sågkedjor kan orsaka kedjebrott eller kast.

m) **Kontakta din återförsäljare om svärdet är skadat och behöver bytas ut.**

n) **För att förhindra oavsiktlig användning av sågkedjan är denna motorsåg utrustad med en strömbrytare med mekanisk förregling.** För att manövrera motorsågen måste låsknappen tryckas in innan sågkedjan börjar fungera
  - Använd inte produkten utan att trycka på låsknappen.
  - Använd inte detta verktyg med endast en hand. Håll produkten stadigt med båda händerna; en hand för att hålla produkten säkert och den andra för att manövrera på/av-knappen.

o) **Låt aldrig barn, personer med sensorisk eller mental begränsad kapacitet eller utan erfarenhet eller kunskap eller personer som är obekanta med dessa instruktioner använda produkten.** Det kan finnas lokala bestämmelser om åldersgräns för användaren.

p) **Barn skall övervakas så att de inte leker med maskinen.**

q) **När den inte används, förvara motorsågen utom räckhåll för barn.**

r) **Före drift, kontrollera arbetsområdet och avlägsna alla möjliga faror.**

s) **Vänta alltid till maskinen stannat helt och ta bort batteriet innan den läggs ned.** Sågkedjan kan fastna och leda till förlust av kontroll över maskinen.

t) **Stäng av motorsågen vid byte av arbetsläge.**

u) **En avskuren gren kan leda till personskada genom att falla på dig eller smätta tillbaka från marken.** Kapa långa grenar i sektioner.

v) **Minska kraften innan grenen är helt avskuren.** Du kan bli skadad om du tappar balansen och kontrollen över motorsågen.

w) **Häng inte produkten i ett träd när du inte använder den.** Placera alltid verktyget på marken på en säker plats utan att ta bort batteriet.

**YTTERLIGARE SÄKERHETSVARNINGAR**

- a) **Verktuget ska inte användas av personer (inklusive barn) med nedsatt fysisk eller mental förmåga eller bristande erfarenhet och kunskap**, om de inte får vägledning och övervakas av en person som ansvarar för deras säkerhet. Barn skall övervakas så att de inte leker med apparaten.
- b) **Håll alltid i maskinen stadigt med båda händerna och se till att du intar en säker ställning när du arbetar med den.** Elverktuget hanteras säkrare med båda händerna.
- c) **Se alltid till att skydden är monterade när verktuget används.** Försök aldrig använda en ofullständig maskin eller en som är utrustad med en obehörig modifiering.
- d) **Smörj alltid sågkedjan med skyddspray före användning.**
- e) **Vänta alltid till maskinen stannat helt innan den läggs ned.**
- f) **Andra personer och djur ska hålla sig på ett avstånd av 3 meter eller mer när maskinen används.** Operatören ansvarar för andra personer i arbetsområdet.
- g) **Ta aldrig tag i sågkedjan.**
- h) **Barn eller personer som inte känner till dessa instruktioner får inte använda motorsågen.** Det kan finnas lokala bestämmelser om åldersgräns för användaren.
- i) **Användaren är ansvarig för olyckor eller risker som uppstår för andra personer och deras egendom.**
- j) **Använd inte motorsågen när du är barfota eller bär öppna sandaler, använd alltid kraftiga skor och långbyxor.** Användning av kraftiga handskar, halkfria skor och skyddsglasögon rekommenderas. Använd inte löst sittande kläder eller smycken; de kan fastna i de rörliga delarna.
- k) **Inspektera noggrant området där motorsågen ska användas och ta bort alla stenar, pinnar, trådar, ben och andra främmande föremål.**
- l) **Före drift, kontrollera sågkedja, svärd och bultar för slitage eller skador.** Använd inte med en skadad eller alltför sliten sågkedja.
- m) **Se till att du vet hur du stoppar motorsågen snabbt i en nödsituation.**
- n) **Använd endast motorsågen i dagsljus eller i bra artificiellt ljus.**
- o) **Använd aldrig motorsågen med defekta skydd eller utan skyddet på plats.**
- p) **Håll aldrig motorsågen i skyddet.**

- q) **När du använder motorsågen, håll alltid ordentligt fotfäste och balans.**
- r) **Var alltid medveten om din omgivning och var uppmärksam på möjliga faror som du kanske inte hör när du använder motorsågen.**
- s) **Håll alla muttrar, bultar och skruvar åtdragna för att vara säker på att motorsågen är säker att arbeta med.**
- t) **Teleskopmotorsågen bör förvaras på en torr, hög eller inlåst plats utom räckhåll för barn.**
- u) **Byt slitna eller skadade delar av säkerhetsskäl.**
- v) **Försök inte reparera maskinen om du inte är kvalificerad att göra det.**
- w) **Håll maskinen stadigt med båda händerna.**

**SÄKERHETSVARNINGAR FÖR BATTERI**

- a) **Öppna inte batteriet.** Risk för kortslutning.
- b) **Skydda batteriet mot hetta, t.ex. mot kontinuerlig intensiv solstrålning, brand, vatten och fukt.** Risk för explosion.
- c) **Vid skada och felaktig användning av batteriet kan ångor läcka ut. Ventilera området och sök medicinsk hjälp vid besvär.** Ångorna kan irritera andningssystemet.
- d) **Använd endast batteriet i kombination med din Vonroc-produkt.** Denna åtgärd ensamt skyddar batteriet mot farlig överbelastning.
- e) **Batteriet kan skadas av vassa föremål såsom spikar eller skruvmejslar eller externa krafter.** En intern kortslutning kan uppstå och batteriet kan brinna, avge rök, explodera eller överhettas.

**SÄKERHETSVARNINGAR FÖR LADDARE****Avsedd användning**

Ladda endast uppladdningsbara batterier av typen CD801AA och CD803AA med laddaren. Andra typer av batterier kan explodera och orsaka personskada och skada.

- a) **Apparaten får inte användas av personer (inklusive barn) med nedsatt fysisk eller mental förmåga eller brist på erfarenhet och kunskap, såvida de inte övervakas eller instrueras.**
- b) **Barn ska övervakas så att de inte leker med apparaten.**
- c) **Ladda inte batterier som inte är uppladdningsbara!**
- d) **Batterierna måste placeras i ett väl ventilerat område under laddning!**

**Elsäkerhet**



Kontrollera alltid så att spänningen på nätet motsvarar den spänning som finns angiven på märkplåten.

- Använd inte maskinen om nätkabeln eller nät-kontakten är skadad.
- Använd endast förlängningskablar som är lämpliga för maskinens effekt med en minsta tjocklek på 1,5 mm<sup>2</sup>. Om du använder en kabelvinda, rulla alltid ut kabeln helt.

**2. MASKININFORMATION**

**Avsedd användning**

Maskinen är avsedd för hushållsbruk, för att klippa och trimma träd och buskar på förhöjd höjd, medan användaren befinner sig på marken. Maskinen är inte avsedd att användas på en stege eller trappsteg. Maskinen är inte konstruerad för att skära oorganiskt material. Verktöget är inte avsett för kommersiellt eller industriellt bruk.

**TEKNISKA SPECIFIKATIONER**



Denna handbok har tagits fram för olika uppsättningar / artikelnummer. Kontrollera motsvarande artikelnummer i specifikationstabellen nedan för korrekt sammanställning och innehåll i din uppsättning.

Modell-nr	Batterier ingår	Laddare ingår
<b>CS504DC</b>	-	-
<b>S_CS504DC</b>	CD801AA	CD802AA
<b>S2_CS504DC</b>	2 x CD801AA	CD802AA
<b>S3_CS504DC</b>	CD803AA	CD802AA

Maskininformation	
Spänning	20 V
Kedjehastighet	5m/s
Svärdets längd	200 mm
Kedjans längd	44T
Kedjestigning	1/4 tum
Kedjemätare	0,043"
Längdjustering	200-260 cm
Ljudtrycksnivå (Lpa)	78,2dB, K=3dB
Ljudtrycksnivå (LWA)	88 dB(A), K=3dB(A)
Garanterad LWA	91 dB
Vibration	främre handtag a <sub>h</sub> = 2,74 m/s <sub>2</sub> bakre handtag a <sub>n</sub> = 2,69 m/s <sub>2</sub> K=1,5 m/s <sup>2</sup>
Vikt	2,3 kg

Modell-nr	CD801AA
Batterityp	Litiumjonteknik
Spänning	20 V
Kapacitet	2,0 Ah
Rekommenderad laddare	CD802AA
Vikt	0,3 kg

Modell-nr	CD802AA
Laddare in	220-240V, 50Hz 0,4A
Laddare ut	21V  2,5A
Laddningstid 2 Ah batteri	60 minuter
Laddningstid 4 Ah batteri	120 minuter
Rekommenderade batterier	CD801AA, CD803AA
Vikt	0,36 kg

Modell-nr	CD803AA
Batterityp	Litiumjonteknik
Spänning	20 V
Kapacitet	4,0 Ah
Rekommenderad laddare	CD802AA
Vikt	0,65 kg

Använd endast följande batterier från VONROC VPOWER 20V batteriplattform. Användning av

andra batterier kan orsaka allvarliga skador eller skador på verktyget.

CD801AA 20V, 2Ah litiumjon

CD803AA 20V, 4Ah litiumjon

Följande laddare kan användas för att ladda dessa batterier.

CD802AA snabbbladdare

Batterierna från VONROC VPOWER 20V batteriplattform är utbytbara mellan alla VONROC VPOWER 20V batteriplattformens verktyg.

### BESKRIVNING

Siffrorna i texten hänvisar till diagrammen på sida 2-5.

1. Motorsåghuvud
2. Huvudjusteringsknapp
3. Huvudlåsring
4. Sågkedja
5. Motorsågsvärd
6. Oljepåfyllningslock
7. Handtagets låsspak
8. Strömbrytare
9. Teleskophandtag
10. Strömkontakt
11. Axelrem
12. Karbinhake
13. Kedjeskydd
14. Batteri
15. Batteriladdare
16. Batterifrigöringsknapp
17. Knapp för batteri-LED-indikatorer
18. Batteri-LED-indikatorer
19. LED-laddningsindikering

## 3 MONTERING



*Innan något arbete (underhåll, verktygsbyte, montering) på elverktyget, ta bort batteriet från elverktyget.*



*Batteriet måste laddas innan det används för första gången.*

### Insättning av batteriet i maskinen (fig. B-1)

Se till att batteriets utsida är ren och torr innan du ansluter det till laddaren eller maskinen.

1. Sätt in batteriet (14) i maskinens bas enligt fig. B-1.
2. Skjut batteriet framåt tills det klickar på plats.

### Borttagning av batteriet från maskinen (fig. B-1)

1. Tryck på batterifrigöringsknappen (16).
2. Dra ut batteriet ur maskinen enligt fig. B-1.

### Kontroll av batteriets laddningsstatus (fig. B-2)

- Tryck kort på knappen (17) på batteriet för att kontrollera batteriets laddningsstatus.
- Batteriet har 3 lampor som indikerar laddningsnivån. Ju fler lampor som lyser, desto mer är batteriet laddat.
- När lamporna inte lyser betyder det att batteriet är tomt och måste laddas omedelbart.

### Laddning av batteriet med laddaren (fig. B-2)

1. Ta ut batteriet (14) från maskinen.
2. Vänd batteriet (14) upp och ner och tryck in det i laddaren (15) enligt fig. B-2.
3. Tryck in batteriet tills det kommer in i luckan helt.
4. Koppla in laddarens kontakt i ett eluttag och vänta en stund. Laddarens LED-indikering (19) kommer att lysa och visa laddningsstatusen.

### Laddaren har två laddningsindikeringslampa (19) som indikerar laddningsprocessens status:

Röd LED-status	Grön LED-status	Laddningsstatus
Av	Av	Ingen ström
Av	På	Standbyläge: - Inget batteri på plats eller: - Batteriet är isatt men laddningen är klar
På	Av	Batteriladdning pågår

- Det kan ta upp till 60 minuter att fulladda 2 Ah-batteriet.
- Det kan ta upp till 120 minuter att fulladda 4 Ah-batteriet.

Ta ut laddningskontakten från uttaget och ta ut batteriet från laddaren när batteriet har fulladdats.



*När maskinen inte används under längre tid är det bäst att lagra batteriet i laddat tillstånd.*

### Verktygsmontering (fig. C, D)

- Fäst axelremmen (11) vid ögla på handtaget (9) med karbinhaken (12).
- Släpp huvudlåsringen (3) genom att rotera den moturs. Ta inte bort ringen helt från huvudet.

- Montera motorsåghuvudet (1) på teleskophandtaget (9) genom att sätta in strömkontakten (10) i huvudet.
- Om kontakten (10) inte är korrekt isatt kan det hända att det inte finns någon elektrisk anslutning och verktyget kommer inte att fungera. Se till att strömkontakten är helt insatt i motorsåghuvudet. Skruven (20) på handtaget ska täckas av motorsåghuvudet (1) och låsringen (3).
- Säkra motorsåghuvudet (1) genom att vrida låsringen (3) medurs



*Spänn aldrig bältet diagonalt över axeln och bröstet, utan placera det på ena axeln. På så sätt kan du snabbt ta bort verktyget från din kropp i händelse av fara.*

#### Justering av teleskophöjden (fig. E-1, E-2)

- Lås upp spaken (7) för att frigöra teleskophandtaget (9).
- Dra ut eller dra in teleskophandtaget (9) till önskad längd.
- Säkra teleskophandtaget genom att låsa spaken (7).

#### Justering av det svängbara motorsåghuvudet (fig. F-1, F-2)

- Tryck på knappen (2) på sidan av motorsåghuvudet (1).
- Justera huvudet till önskat läge.
- Släpp knappen (2) och se till att huvudet är låst på plats.

## 4. ANVÄNDNING

#### Före användning (fig. G)

Ta bort kedjeskyddet (13) och kontrollera oljenivån i tanken (6). Använd inte sågen med en tom oljetank. Använd endast biologiskt nedbrytbar motorsågsolja. Kontrollera om kedjan (4) är korrekt spänd. Kedjan är korrekt spänd när den kan höjas ca. 2-3 mm för hand i mitten av svärdet (5).

#### Slå på och stänga av

Håll alltid teleskopmotorsågen med båda händerna. Placera en hand på teleskophandtaget (9) och en hand på det bakre handtaget nära strömbrytaren. Tryck och håll in strömbrytaren (8) för att använda maskinen. När strömbrytaren släpps kommer maskinen automatiskt att stanna.

#### Under användning

Låt kedjan komma upp i hastighet innan du kommer i kontakt med träet. Tvinga inte motorsågen under sågning. Håll maskinen i jämn hastighet och låt kedjan göra jobbet. Kontrollera regelbundet oljenivån i tanken, fyll på tanken innan den blir helt torr. Vid sågning av stora/långa grenar rekommenderas avsågning i delar.

#### Efter användning

Torka av smuts och skräp från kedjan (4) med en borste eller trasa. Sätt dit svärdskyddet (13) och ta bort batteriet (14) innan du förvarar maskinen. För att förhindra oljeläckage under förvaring, töm ut eventuell återstående olja från tanken (6) i en lämplig behållare.

## 5. UNDERHÅLL



*Stäng alltid av maskinen och ta ut batteriet från maskinen innan rengöring och underhåll.*

Rengör maskinens hus regelbundet med en mjuk trasa, helst efter varje gång du använder maskinen. Se till att ventilationsöppningarna är fria från damm och smuts. Ta bort mycket ihållande smuts med en mjuk trasa fuktad med tvållösning. Använd inte någon lösningsmedel såsom Bensin, alkohol, ammoniak, osv. Sådana kemikalier skadar de syntetiska av maskinkomponenterna.

#### Justering av sågkedjans spänning (fig. H)

Normalt slitage gör att kedjan töjs ut långsamt med tiden. Motorsågen är utrustad med en spännmekanism för att kompensera för att kompensera för denna töjning. Vrid på kedjespänningens bult (21) på framsidan av maskinen för att justera kedjespänningen. Kedjan (4) är korrekt spänd när den kan höjas ca. 2-3 mm för hand i mitten av svärdet (5). När spännmekanismen inte längre kan kompensera helt för töjningen är kedjan utsliten och måste bytas ut.

#### Byte av sågkedja (fig. H)

1. Lossa skruven (22) och ta bort skyddet (23).
2. Ta bort kedjan (4) och motorsågens svärd (5). Kassera den gamla kedjan.
3. Placera den nya kedjan runt svärdet. Se till att storleken på den nya kedjan är korrekt och observera kedjans rätt löprikning.

4. Montera kedjan över drivhjulet och sätt tillbaka kedjan.
5. Se till att alla delar sitter ordentligt och sätt tillbaka skyddet (23) och dra åt skruven (22).
6. Kontrollera kedjespänningen och justera om det behövs.

### Förvaring

Teleskopmotorsågen ska förvaras på en säker, torr plats, väl utom räckhåll för barn. Placera inte andra föremål ovanpå dem. Observera att det finns en liten ventilationskanal i oljetankens lock (6). Maskinen måste förvaras i horisontellt läge, med tanklocket uppåt, för att förhindra oljeläckage genom kanalen i locket. Alternativt, om maskinen måste förvaras i ett annat läge, bör oljan tömmas från tanken i en lämplig behållare för att förhindra läckage under lagring.

## MILJÖ



*Felaktig och/eller kasserad elektrisk eller elektronisk utrustning måste lämnas in på lämpliga återvinningsstationer.*

### Endast för EU-länder

Kassera inte elverktyg i hushållsavfall. Enligt den europeiska riktlinjen 2012/19/EG om kasserad elektrisk och elektronisk utrustning och dess tillämpning i nationell rätt måste elverktyg som inte längre är användbara samlas in separat och kasseras på ett miljövänligt sätt.

## GARANTI

VONROC-produkter är utvecklade enligt högsta kvalitetsstandard och garanteras fria från defekter i både material och utförande under den period som lagen föreskriver från och med inköpsdatumet. Om produkten skulle utveckla fel under denna period på grund av defekt material och/eller utförande, kontakta då VONROC direkt.

Följande omständigheter är undantagna från denna garanti:

- Reparationer och/eller ändringar har gjorts eller försökts utföras på maskinen av obehöriga servicecenter;
- Normalt slitage;
- Verktyget har missbrukats, använts på fel sätt eller underhållits felaktigt;
- Reservdelar som inte är original har använts.

Detta utgör den enda garantin som företaget ger antingen uttryckt eller underförstått. Det finns inga andra garantier uttryckta eller underförstådda som sträcker sig bortom detta, inklusive de underförstådda garantierna för säljbarhet och lämplighet för ett visst syfte. Under inga omständigheter ska VONROC hållas ansvarigt för indirekta skador eller följdskador. Återförsäljarnas åtgärder ska begränsas till reparation eller byte av enheter eller delar som inte uppfyller kraven.

**Produkten och användarhandboken kan ändras. Specifikationerna kan ändras utan förvarning.**

## 1. TURVALLISUUSOHJEET

Lue tämän ohjekirjan varoitukset, lisäturvallisuusohjeet ja ohjeet. Jos turvallisuusvaroituksia ja ohjeita ei noudateta, seurauksena voi olla sähköisku, tulipalo ja/tai vakava henkilövahinko. Säilytä turvallisuusvaroitukset ja ohjeet tulevaa käyttöä varten.

Ohjekirjassa ja tuotteessa käytetään seuraavia merkkejä:



Lue ohjekirja.



Ilmoittaa henkilövahingon, kuoleman tai työkalun vaurioitumisen vaarasta, jos tämän ohjekirjan ohjeita ei noudateta.



Sähköiskun vaara.



Max 45°C

Maksimilämpötila 45°C.



Akkua ei saa hävittää tuleen.



Akkua ei saa hävittää veteen.



Käytä suojakypärää.



Käytä suojalaseja.



Suojaa vesisateelta.



Pidä kätet loitolla terästä.



Varo sinkoutuvia esineitä. Pääsy kielletty ulkopuolisilta.



Pidä tuote loitolla suurjännitelinoista!  
Vähimmäisetäisyys 10 metriä.



Luokan II laite. Kaksoiseristys, ei vaadi maadoitettua pistoketta.



Pieni sulakeliitäntä aikaviiveellä.



Hävitä litiumioniakku erilliskeräykseen.

Älä hävitä tuotetta virheellisesti.



Tuote täyttää Euroopan direktiivien soveltuviin turvallisuusstandardien vaatimukset.

### SÄHKÖTYÖKALUN YLEISET VAROITUKSET



**VAROITUS! Lue kaikki turvallisuutta koskevat varoitukset ja ohjeet.** Jos varoituksia ja ohjeita ei noudateta, seurauksena voi olla sähköisku, tulipalo ja/tai vakava henkilövahinko.

#### Säilytä kaikki varoitukset ja ohjeet tulevaa käyttöä varten.

Varoituksissa oleva termi "sähkötyökalu" viittaa verkkovirralla toimivaan (johdolliseen) sähkötyökaluun tai akkukäyttöiseen (johdottomaan) sähkötyökaluun.

#### 1) Työalueen turvallisuus

- Pidä työalue mahdollisimman puhtaana ja varmista alueen hyvä valaistus.** Onnettomuuksia voi sattua helpommin epäsiistillä tai huonosti valaistulla alueella.
- Älä käytä sähkötyökaluja räjähdysalttiissa ympäristössä, kuten syttyvien nesteiden, kaasujen tai pölyn lähellä.** Sähkötyökalut luovat kipinöitä, jotka voivat sytyttää pölyn tai höyryt.
- Varmista, etteivät lapset tai sivulliset pääse työkalun lähelle sen ollessa käytössä.** Häiriöt voivat aiheuttaa hallinnan menetyksen.

#### 2) Sähköturvallisuus

- Sähkötyökalun pistokkeiden tulee sopia pistorasiaan. Älä koskaan muuta pistoketta millään tavalla. Älä käytä sovitinpistokkeita maadoitettujen sähkötyökalujen kanssa.** Muuttamattomat pistokkeet ja sopivat pistorasiat vähentävät sähköiskun vaaraa.
- Vältä koskettamista maadoitettuihin pintoihin (mm. putket, lämpöpatterit, liedet ja jääkaappi).** Sähköiskun vaara on suurempi, jos kehosi on maadoitettu.
- Suojaa sähkötyökalut vesisateelta ja kosteudelta.** Jos sähkötyökaluun pääsee vettä, sähköiskun vaara on suurempi.
- Johdon väärinkäyttö on kielletty. Älä koskaan käytä johtoa sähkötyökalun kantamiseen, vetämiseen tai irrottamiseen pistorasiasta. Pidä johto poissa lämmöstä, öljystä, terävistä reunoista tai liikkuvista osista.** Vaurioituneet tai sotkeutuneet johdot lisäävät sähköiskun vaaraa.

- e) **Jos sähkötyökäluä käytetään ulkona, käytä ulkokäyttöön sopivaa jatkojohtoa.** Käytä ulkokäyttöön sopivaa johtoa, jolloin sähköiskun vaara on pienempi.
- f) **Jos sähkötyökäluä on käytettävä kosteassa ympäristössä, käytä vikavirtasuojakytkintä (RCD).** Vikavirtasuojakytkimen käyttö vähentää sähköiskun vaaraa.
- 3) Henkilökohtainen turvallisuus**
- a) **Pysy valppaana, tarkkaile toimenpiteitä ja käytä tervettä järkeä sähkötyökäluen käytön aikana. Älä käytä sähkötyökäluä väsyneenä tai alkoholin, huumausaineiden tai lääkkeiden vaikutuksen alaisena.** Pienikin epähuomio sähkötyökäluen käytön aikana voi johtaa vakavaan henkilövahinkoon.
- b) **Käytä henkilökohtaisia suojarusteita.** Käytä aina suojaruseja. Asianmukaisissa olosuhteissa käytetyt suojarusteet, kuten hengityssuoja, liukumattomat turvajalkineet, suojakypärä tai kuulonsuojaimet vähentävät henkilövahinkoja.
- c) **Estä tahaton käynnistyminen. Varmista, että kytkin on off-asennossa, ennen kuin liität työkalun virtalähteeseen ja/tai akkuun, nostat tai kannat työkalua.** Onnettomuuksia voi aiheutua, jos sähkötyökäluä kuljetetaan sormi liipaisimella tai se liitetään virtalähteeseen kytkin päällä.
- d) **Poista mahdolliset säätöavaimet ennen työkalun käynnistämistä.** Jos jokin avain on jätetty kiinni sähkötyökäluen liikkuvaan osaan, seurauksena voi olla henkilövahinko.
- e) **Älä kurkottele. Varmista aina hyvä jalansija ja tasapaino.** Tämä mahdollistaa sähkötyökäluen paremman hallinnan odottamattomissa tilanteissa.
- f) **Pukeudu asianmukaisesti. Älä käytä väljiä vaatteita tai koruja. Pidä hiukset, vaatteet ja käsineet poissa liikkuvista osista.** Väljät vaatteet, korut tai pitkät hiukset voivat tarttua liikkuviin osiin.
- g) **Jos laitteissa on pölynpoisto- ja keräysjärjestelmien liitäntä, varmista niiden oikeoppinen kytkentä ja käyttö.** Pölynpoistolaitteen käyttö voi vähentää pölyn aiheuttamia vaaroja.
- h) **Turvallisuusohjeet tulee huomioida aina, vaikka olisit tottunut käyttämään työkaluja usein.** Huolimattomuus voi aiheuttaa vakavia henkilövahinkoja sekunnin murto-osassa.
- 4) Akkutoimisen työkalun käyttö ja hoito**
- a) **Älä kohdistaa voimaa sähkötyökäluun. Käytä oikeaa sähkötyökäluä käyttötarkoitukseen.** Oikea sähkötyökälu suoriutuu tehtävästä paremmin ja turvallisemmin suunnitellulla kiertonopeudella.
- b) **Älä käytä sähkötyökäluä, jos virtakytkin ei kytketty päälle ja pois päältä.** Jos sähkötyökäluä ei voida hallita virtakytkimellä, vaaratilanteita voi syntyä ja se tulee korjata.
- c) **Irrota pistoke virtalähteestä ja/tai akku sähkötyökäluusta ennen säätöjen tekemistä, lisävarusteiden vaihtamista tai sähkötyökälujen varastointia.** Tällaiset ennaltaehkäisevät turvatoimenpiteet vähentävät sähkötyökäluen tahattoman käynnistymisen riskiä.
- d) **Säilytä käyttämättömät sähkötyökäluet poissa lasten ulottuvilta äläkä anna sellaisten henkilöiden käyttää sähkötyökäluä, jotka eivät tunne sähkötyökäluä tai näitä ohjeita.** Sähkötyökäluet ovat vaarallisia kouluttamattomien henkilöiden käsissä.
- e) **Varmista sähkötyökälujen oikeoppinen ylläpito. Tarkista liikkuvien osien kohdistusvirhe tai kiinnittyminen, osien rikkoutuminen ja muut olosuhteet, jotka voivat vaikuttaa sähkötyökäluen toimintaan. Jos sähkötyökälu on vaurioitunut, korjauta se ennen käyttöä.** Monet onnettomuudet johtuvat huonosti huolletuista sähkötyökäluista.
- f) **Varmista, että leikkuuvälilinet ovat aina teräviä ja puhtaita.** Oikein huolletut leikkuuvälilinet, joissa on terävät leikkuureunat, eivät tartu helposti kiinni ja niitä on helpompi hallita.
- g) **Käytä sähkötyökäluä, lisävarusteita ja työkalun teriä jne. näiden ohjeiden mukaisesti ottaen huomioon työolosuhteet ja suoritettava työ.** Sähkötyökäluen käyttäminen muuhun kuin sen käyttötarkoitukseen voi johtaa vaaralliseen tilanteeseen.
- h) **Pidä kahvat ja kädensijat kuivina, puhtaina, öljyttöminä ja rasvattomina.** Jos Kahvat ja kädensijat ovat liukkaita, työkalua ei voida käsitellä turvallisesti odottamattomissa tilanteissa.
- 5) Akkutoimisen työkalun käyttö ja hoito**
- a) **Lataa ainoastaan valmistajan määrittämällä laturilla.** Yhteen akkutyypin sopiva laturi voi luoda tulipalovaaran, jos sitä käytetään toisenlaisella akulla.
- b) **Käytä sähkötyökäluja ainoastaan määritetyillä akuilla.** Muiden akkujen käyttö voi aiheuttaa henkilövahinkoja ja tulipalovaaran.



- c) **Kun akkua ei käytetä, pidä se kaukana muista metalliesineistä (esim. klemmarit, kolikot, avaimet, naulat, ruuvit jne. muut pienet metalliesineet, jotka luovat yhteyden napojen välille.** Akkunapojen oikosulku voi aiheuttaa palovammoja tai tulipalon.
- d) **Nestettä voi tulla akusta virheellisissä olosuhteissa. Vältä koskettamasta siihen. Jos kosketat siihen vahingossa, huuhtele vedellä. Jos nestettä pääsee silmiin, ota tämän lisäksi yhteyttä lääkäriin.** Akusta ulos tuleva neste voi aiheuttaa ärsytystä ja palovammoja.
- e) **Älä käytä akkua tai työkalua, joka on vaurioitunut tai jota on muutettu.** Vaurioituneet ja muutetut akut voivat aiheuttaa odottamatonta toimintaa, mikä voi johtaa tulipaloon, räjähdyksen tai henkilövahinkovaaraan.
- f) **Suojaa akku ja työkalu tulelta ja kuumuudelta.** Tulelle tai yli 130 °C lämpötilalla altistuessa seurauksena voi olla räjähdys. HUOMAA: Lämpötila 130 °C vastaa 265 °F lämpötilaa.
- g) **Noudata kaikki latausohjeita ja lataa akku tai työkalu ainoastaan ohjeiden mukaisessa lämpötilassa.** Virheellinen tai määritetystä lämpötilasta poikkeavassa lämpötilassa lataaminen voi vaurioittaa akkua ja lisätä tulipalovaaraa.
- 6) Huolto**
- a) **Anna pätevän korjaajan korjata sähkötyökalu käyttäen ainoastaan samanlaisia varaosia.** Täten taataan sähkötyökalun turvallisuus.
- b) **Vaurioituneita akkuja ei saa koskaan huoltaa.** Ainoastaan valmistaja tai valtuutettu huoltoliike saa huoltaa akkua.

## TELESKOOPPISEN MOOTTORISAHAN VAROITUKSET

- a) **Pidä kaikki kehonosat poissa terästä.** Älä poista leikattua materiaalia tai pidä kiinni leikkavasta materiaalista, kun teräketju liikkuu. Varmista, että työkalu on sammutettu ja akku on poistettu, kun poistaa juuttunutta materiaalia. Pienikin epähuomio moottorisahan käytön aikana voi johtaa vakavaan henkilövahinkoon.
- b) **Pidä moottorisahaa vain eristetyistä tartuntapinnoista, koska teräketju voi koskettaa piilossa olevia johtoja.** Jos teräketju koskettaa jännitteenalaiseen johtoon, virta voi välittyä tuotteen metalliosiin ja sähköiskuvaara on olemassa käyttäjälle.
- c) **Säilytä hyvä ote molemmilla käsillä ja aseta keho ja käsivarsi niin, että voit vastata takaiskuun.**

Käyttäjä voi hallita takapotkuvoimia, jos ryhdytään asianmukaisiin varotoimiin. Älä päästä irti teleskooppisesta moottorisahasta.

- d) **Varo takapotkua oksaa leikatessa.** Kun oksaa avaretaan, se voi taipua alas ja juuttua teräketjuun.
- e) **Kanna moottorisahaa sammutettuna, aina molemmin käsin ja sahan ketjusuojaus paikoillaan.** Moottorisahan oikeaoppinen käsittely vähentää riskiä koskettaa vahingossa liikkuvaan teräketjuun.
- f) **Älä käytä teleskooppista moottorisahaa puussa.** Teleskooppisen moottorisahan käyttäminen kiipeämisen aikana tai puussa ollessa voi aiheuttaa henkilövahinkoja.
- g) **Säilytä aina tukeva jalansija ja käytä moottorisahaa vain seisossasi kiinteällä, turvallisella ja tasaisella alustalla.** Liukkaat tai epävakaat pinnat, kuten tikkaat, voivat aiheuttaa tasapainon tai moottorisahan hallinnan menetyksen.
- h) **Noudata voitelu-, ketjunkturistys- ja lisävarusteiden vaihto-ohjeita.** Väärin kiristetty tai voideltu ketju voi joko katketa tai lisätä takapotkun mahdollisuutta.
- i) **Pidä kahvat kuivina, puhtaina, öljyttöminä ja rasvattomina.** Rasvaiset tai öljyiset kahvat ovat liukkaita ja voivat aiheuttaa koneen hallinnan menetyksen.
- j) **Sahaa vain puuta.** Älä käytä teleskooppista moottorisahaa muihin kuin sen suunniteltuun käyttötarkoitukseen. Esimerkki: älä käytä moottorisahaa muovin, muurauksen tai muiden kuin puisten rakennusmateriaalien leikkaamiseen. Teleskooppisen moottorisahan käyttö suunnitelluista käyttötarkoituksista poikkeaviin tarkoituksiin voi aiheuttaa vaaratilanteen.
- k) **Takapotkun syyt ja ehkäisevät toimenpiteet:**
- Takapotku voi tapahtua, kun terälevyn nokka tai kärki koskettaa esinettä tai kun puu sulkeutuu ja puristaa sahan ketjun leikkaukseen.
  - Kärjen kosketus voi jossain tapauksessa aiheuttaa äkillisen käänteisen reaktion, vieden terälevyn voimalla ylös ja taaksepäin käyttäjää kohti.
  - Jos teräketjua puristetaan terälaipan yläosaa pitkän, se voi työntää terälevyä nopeasti takaisin käyttäjää kohti.
- Kumpikin näistä reaktioista voi aiheuttaa sen, että menetät teleskooppisen moottorisahan hallinnan, mikä voi johtaa vakavaan henkilövahinkoon. Moottorisahan käyttäjänä sinun tulee tehdä useita varotoimenpiteitä onnettomuuksien tai loukkaantumisten välttämiseksi.

**Takapotku johtuu tuotteen väärästä tai virheel-  
lisestä käytöstä. Takapotku voidaan välttää  
noudattamalla alla olevia varotoimia.**

- l) **Käytä vain valmistajan määrittelemiä vaihto-  
teräketjuja.** Väärät teräketjut voivat aiheuttaa  
ketjun katkeamisen tai takapotkun.
- m) **Jos terälevy on vaurioitunut ja se on vaihdetta-  
va, ota yhteyttä jälleenmyyjään.**
- n) **Teräketjun tahattoman käytön estämisek-  
si tässä moottorisahassa on mekaanisella  
lukituksella varustettu kytkin.** Moottorisahan  
käyttämiseksi lukituspainiketta on painettava  
ennen kuin teräketju alkaa toimia
  - Älä käytä tuotetta painamatta lukituspaini-  
kettä.
  - Älä käytä tätä työkalua vain yhdellä kädellä.  
Pidä tuotetta tukevasti molemmin käsin;  
toisella kädellä pitääksesi tuotetta tukevasti  
kiinni ja toisella käyttäaksesi virtakytkintä.
- o) **Älä koskaan anna sellaisten lasten tai hen-  
kilöiden käyttää laitetta, joilla on fyysisiä,  
sensorisia tai henkisiä rajoitteita tai joilla on  
puutteellinen kokemus ja/tai tuntemus tai jotka  
eivät tunne näitä ohjeita.** Paikalliset määräykset  
voivat rajoittaa käyttäjän ikää.
- p) **Lapsia on valvottava, jotta he eivät leikkisi  
laitteella.**
- q) **Kun teleskooppista moottorisahaa ei käytetä,  
säilytä sitä lasten ulottumattomissa.**
- r) **Tarkista työalue ennen käyttöä ja poista kaikki  
mahdolliset vaaratekijät.**
- s) **Odota aina, kunnes laite on täysin pysähtynyt  
ja irrota akku ennen laitteen laskemista alas.**  
Teräketju voi juuttua tai aiheuttaa takapotkun ja  
johtaa laitteen hallinnan menettämiseen.
- t) **Sammuta moottorisaha, kun vaihdat työasentoa.**
- u) **Leikkautunut oksa voi aiheuttaa henkilöva-  
hinkoja putoamalla päällesi tai ponnahtamalla  
takaisin maasta.** Leikkaa pidemmät oksat osiin.
- v) **Vähennä voimaa ennen kuin oksa katkaistaan  
kokonaan.** Voit loukkaantua menettäessäsi  
tasapainon ja moottorisahan hallinnan.
- w) **Älä ripusta tuotetta puuhun, kun et käytä sitä.**  
Aseta työkalu aina maahan turvalliseen paik-  
kaan poistamatta akkua.

## LISÄVAROITUKSET

- a) **Tätä laitetta ei ole tarkoitettu sellaisten hen-  
kilöiden (lapset mukaan lukien) käytettäväksi,  
joilla on fyysisiä, aistillisia tai henkisiä puutteita  
tai puutteellinen kokemus ja tuntemus, ellei hei-  
dän turvallisuudesta vastuussa oleva henkilö**

- ohjaa tai valvo heitä laitteen käytössä. Lapsia on  
valvottava, jotta he eivät leikkisi laitteella.
- b) **Pidä laitteesta aina lujasti molemmin käsin käytön  
aikana ja varmista tukeva asento.** Sähkötyökalua  
voidaan ohjata turvallisemmin molemmin käsin.
  - c) **Varmista aina, että kaikki kahvat ja suojukset  
on asennettu laitteen käytön aikana.** Älä kos-  
kaan yritä käyttää laitetta, josta puuttuu osia tai  
johon on tehty luvattomia muutoksia.
  - d) **Voitele teräketju aina suojausihkeella ennen  
käyttöä.**
  - e) **Odota aina, että kone on pysähtynyt kokonaan  
ennen sen asettamista alas.**
  - f) **Muiden henkilöiden ja eläinten tulee pysyä vä-  
hintään 3 metrin etäisyydellä laitetta käytettä-  
essä.** Käyttäjä on vastuussa työalueella olevista  
sivullisista.
  - g) **Älä koskaan tartu teräketjuun.**
  - h) **Lapset tai henkilöt, jotka eivät tunne näitä  
ohjeita, eivät saa käyttää moottorisahaa.** Paikal-  
liset määräykset voivat rajoittaa käyttäjän ikää.
  - i) **Käyttäjä on vastuussa onnettomuuksista tai  
henkilö- ja omaisuusvahinkojen vaarasta.**
  - j) **Älä käytä moottorisahaa avoaloin tai avoimilla  
sandaaleilla, käytä aina suljettuja jalkineita ja  
pitkiä housuja.** Suosittelemme kestävien käsi-  
neiden, liukumattomien jalkineiden ja suojalasi-  
en käyttöä. Älä käytä löysiä vaatteita tai koruja,  
jotka voivat tarttua liikkuviin osiin.
  - k) **Tarkasta huolellisesti alue, jossa moottorisahaa  
aiotaan käyttää ja poista alueelta kaikki johdot  
ja muut vieraat esineet.**
  - l) **Tarkista teräketju, terälevy ja pultit kulumisen  
tai vaurioiden varalta ennen käyttöä.** Älä käytä  
laitetta, jos moottorisaha on vaurioitunut tai  
kulunut liikaa.
  - m) **Moottorisaha on osattava pysäyttää nopeasti  
häätätilanteessa.**
  - n) **Käytä moottorisahaa vain päivänvalossa tai  
hyvässä keinovalossa.**
  - o) **Älä koskaan käytä moottorisahaa viallisilla  
suojausilla tai ilman suojusta.**
  - p) **Älä koskaan pidä moottorisahaa suojuksista.**
  - q) **Kun käytät teleskooppista moottorisahaa,  
varmista aina hyvä jalansija ja tasapaino.**
  - r) **Ole aina tietoinen ympäristöstäsi ja pysy  
valppaana mahdollisista vaaroista, joita et ehkä  
kuule moottorisahaa käyttäessäsi.**
  - s) **Pidä kaikki mutterit, pultit ja ruuvit kireällä  
varmistaaksesi, että moottorisaha on aina  
turvallisessa käyttökunnossa.**

- t) Teleskooppista moottorisahaa tulee säilyttää kuivassa, korkealla tai lukitussa paikassa pois lasten ulottuvilta.
- u) Vaihda kuluneet tai vaurioituneet osat turvallisuuden takaamiseksi.
- v) Älä yritä korjata laitetta, ellei sinulla ole siihen pätevyyttä.
- w) Pidä laitteesta tukevasti molemmiin käsiin.

### AKUN TURVALLISUUSVAROITUKSET

- a) Älä avaa akkua. Oikosulun vaara.
- b) Suojaa akku lämmöltä (esim. jatkuvalta aurin-gonvalolta), tulelta, vedeltä sekä kosteudelta. Räjähdyksivaara.
- c) Jos akku vaurioituu tai sitä käytetään virheellisesti, siitä voi päästä höyryä. Tuuleta alue ja ota yhteyttä lääkäriin, mikäli valituksia ilmenee. Höyryt voivat aiheuttaa ärsytystä hengitysteihin.
- d) Käytä akkua ainoastaan Vonroc-tuotteen kanssa. Täten akku suojataan vaaralliselta ylikuormituksesta.
- e) Terävät kohteet (esim. naulat tai ruuvimeisselit) tai ulkoiset iskuvoimat voivat vahingoittaa akkua. Seurauksena voi olla oikosulku ja akku voi palaa, räjähtää tai ylikuumentua tai siitä voi päästä savua.

### LATURIN TURVALLISUUSVAROITUKSET

#### Käyttötarkoitus

Lataa laturilla vain CD801AA- ja CD803AA-tyyppisiä ladattavia akkuja. Muut akkutyytit voivat puhjeta ja aiheuttaa henkilö- ja omaisuusvahinkoja.

- a) Laitetta ei ole tarkoitettu sellaisten henkilöiden (lapset mukaan lukien) käytettäväksi, joilla on fyysisiä, aistillisia tai henkisiä puutteita tai puutteellinen kokemus ja tuntemus, ellei heitä ohjata tai valvota.
- b) Lapsia on valvottava, jotta he eivät leikkisi laitteella.
- c) Ei-ladattavia akkuja ei saa ladata!
- d) Akut tulee asettaa hyvin tuuletetulle alueelle lataamisen aikana!

#### Sähköturvallisuus



Tarkista aina, että virtalähteen jännite vastaa arvokilvessä olevaa jännitettä.

- Älä käytä konetta, jos virtajohto tai verkkopistoke on vaurioitunut.
- Käytä vain jatkojohtoja, jotka sopivat laitteen teholuokitukseen ja joiden paksuus on vähintään 1.5 mm<sup>2</sup>. Jos käytät jatkokaapelin kelaa, rullaa kaapeli aina kokonaan auki.

## 2. KONEEN TIEDOT

### Käyttötarkoitus

Laite on tarkoitettu kotikäyttöön, puiden ja pensaiden karsimiseen korkealla, käyttäjän ollessa maassa. Sitä ei ole tarkoitettu käytettäväksi tikkailla tai portailla. Laitetta ei ole suunniteltu epäorgaanisten materiaalien leikkaamiseen. Tätä laitetta ei ole tarkoitettu kaupalliseen tai teolliseen käyttöön.


### TEKNISET TIEDOT





Tämä ohjekirja on laadittu eri sarjoille/ tuotenumeroille. Tarkista sarjasi oikea kokoonpano ja sisältö vastaavan tuotumeron mukaan alla olevista teknisistä tiedoista.

Mallinro	Sisältää akut	Sisältää laturit
CS504DC	-	-
S_CS504DC	CD801AA	CD802AA
S2_CS504DC	2 x CD801AA	CD802AA
S3_CS504DC	CD803AA	CD802AA

Laitteen tiedot	
Jännite	20 V
Ketjun nopeus	5 m/s
Terälevyn pituus	200 mm
Ketjun pituus	44T
Terän hammasjako	1/4"
Ketjun mitta	0,043"
Pituuden säätö	200-260 cm
Äänenpainetaso (LpA)	78,2 dB, k = 3 dB
Äänenpainetaso (LWA)	88 dB(A), K = 3 dB(A)
Taattu LWA	91 dB
Tärinä	etukahva a <sub>n</sub> = 2,74 m/s <sup>2</sup> takakahva a <sub>n</sub> = 2,69 m/s <sup>2</sup> K = 1,5 m/s <sup>2</sup>
Paino	2,3 kg

Mallinro	CD801AA
Akkutyyppi	Litiumioni
Jännite	20 V 
Kapasiteetti	2,0 Ah
Suosittelut laturi	CD802AA
Paino	0,3 kg

Mallinro	CD802AA
Laturin tulo	220-240 V, 50 Hz 0,4 A
Laturin lähtö	21 V  2,5 A
Latausaika 2 Ah akku	60 minuuttia
Latausaika 4 Ah akku	120 minuuttia
Suosittelut akut	CD801AA, CD803AA
Paino	0,36 kg

Mallinro	CD803AA
Akkutyyppi	Litiumioni
Jännite	20 V 
Kapasiteetti	4,0 Ah
Suosittelut laturi	CD802AA
Paino	0,65 kg

Käytä ainoastaan seuraavia VONROC VPOWER 20 V -akkualustan akkuja. Muiden akkujen käyttö voi aiheuttaa vakavia henkilövahinkoja tai vaurioittaa laitetta.

CD801AA 20 V, 2 Ah Litiumioni  
CD803AA 20 V, 4 Ah Litiumioni

Nämä akut voidaan ladata seuraavalla laturilla.  
CD802AA Pikalaturi

VONROC VPOWER 20 V -akkualustan akut sopivat kaikkiin VONROC VPOWER 20V -akkualustan työkaluihin.

### KUVAUS

Tekstin numerot viittaavat sivujen 2 - 5 kaavioihin.

1. Moottorisahan pää
2. Pään säätöpainike
3. Pään lukitusrengas
4. Teräketju
5. Moottorisahan terälevy
6. Öljysäiliön korkki
7. Kahvan lukitusvipu
8. Virtakytkin

9. Teleskooppikahva
10. Virtaliitin
11. Olkahihna
12. Sulkurengas
13. Ketjun suojus
14. Akku
15. Akkulaturi
16. Akun vapautuspainike
17. Akun LED-merkkivalojen painike
18. Akun LED-merkkivalot
19. Laturin LED-merkkivalot

### 3. KOKOAMINEN



Ennen kuin teet sähkötyökaluun liittyviä töitä (huolto, työkalun vaihto, kokoaminen), poista akku sähkötyökalusta.



Akku tulee ladata ennen ensimmäistä käyttökertaa.

#### Akun asentaminen laitteeseen (kuva B-1)

Varmista, että akku on ulkoisesti puhdas ja kuiva ennen sen liittämistä laturiin tai laitteeseen.

1. Aseta akku (14) laitteen kantaan kuvan B-1 mukaisesti.
2. Paina akkua syvemmälle, kunnes se napsahtaa paikoilleen.

#### Akun poistaminen laitteesta (kuva B-1)

1. Paina akun vapautuspainiketta (16).
2. Vedä akku pois laitteesta kuvan B-1 mukaisesti.

#### Akun lataustason tarkistaminen (kuva B-2)

- Tarkista akun lataustila painamalla akun painiketta (17) lyhyesti.
- Akussa on 3 merkkivaloa, jotka osoittavat lataustason. Mitä enemmän merkkivaloja palaa, sitä enemmän akussa on virtaa jäljellä.
- Kun merkkivalot ovat sammuneet, akku on tyhjä ja se tulee ladata välittömästi.

#### Akun lataaminen laturilla (kuva B-2)

1. Poista akku (14) laitteesta.
2. Käännä akku (14) ylösalaisin ja liu'uta se laturiin (15) kuvan B-2 mukaisesti.
3. Paina akkua, kunnes se on kokonaan asennusaukossa.
4. Liitä laturin pistoke sähköverkkoon ja odota hetki. Laturin (19) LED-merkkivalot syttyvät ja osoittavat laturin tilan.

**Laturissa on kaksi LED-merkkivaloa (19), jotka osoittavat latausprosessin tilan:**

Punainen LED-tila	Vihreä LED-tila	Laturin tila
Pois	Pois	Ei virtaa
Pois	Päällä	Valmiustila: - Ei akkua, tai: - Akku paikoillaan, mutta sen lataus on päättynyt
Päällä	Pois	Akun lataus käynnissä

- Akun 2 Ah täyteen lataaminen voi kestää jopa 60 minuuttia.
- Akun 4 Ah täyteen lataaminen voi kestää jopa 120 minuuttia.

Kun akku on ladattu täyteen, poista laturin pistoke sähköverkosta ja irrota akku laturista.



*Kun laitetta ei käytetä pitkään aikaan, akku kannattaa varastoida ladattuna.*

#### Työkalun kokoaminen (kuvat C, D)

- Kiinnitä olkahihna (11) kahvan (9) lenkkiin sulkurengaalla (12).
- Vapauta pään lukitusrenkas (3) kiertämällä sitä vastapäivään. Älä poista rengasta kokonaan päästä.
- Asenna moottorisahan pää (1) teleskooppikahvaan (9) työntämällä virtaliitin (10) päähän.
- Jos liittintä (10) ei ole asetettu kunnolla paikalleen, sähköliittintä ei välttämättä ole mahdollinen eikä työkalu toimi. Varmista, että virtaliitin on työnnetty kokonaan moottorisahan päähän. Kahvan ruuvi (20) tulee peittää moottorisahan päällä (1) ja lukitusrenkaalla (3).
- Kiinnitä moottorisahan pää (1) kiertämällä lukitusrengasta (3) myötäpäivään



*Älä koskaan kiinnitä vyötä vinosti olkapään ja rinnan yli, vaan aseta se yhdelle olkapäälle. Näin voit nopeasti poistaa työkalun kehostasi vaaratilanteessa.*

#### Teleskooppikorkeuden säätäminen (kuvat E-1, E-2)

- Avaa vipu (7) vapauttaaksesi teleskooppikahvan (9).
- Vedä teleskooppikahva (9) ulos ja sisään haluttuun pituuteen.
- Kiinnitä teleskooppikahva lukitsemalla vipu (7).

#### Kääntyvän moottorisahan pään säätö (kuva F-1, F-2)

- Paina painiketta (2) moottorisahan pään (1) sivussa.
- Säädä pää haluttuun asentoon.
- Vapauta painike (2) ja varmista, että pää on lukittunut paikalleen.

## 4. KÄYTTÖ

#### Ennen käyttöä (kuva G)

Irrota ketjun suojus (13) ja tarkista öljytaso säiliöstä (6). Älä käytä sahaa, jos öljysäiliö on tyhjä. Käytä vain biohajoavaa moottorisahaöljyä. Tarkista, että ketju (4) on oikein kiristetty. Ketju on oikein kireällä, kun sitä voidaan nostaa n. 2-3 mm käsin terälevyn (5) keskelle.

#### Kytkeminen päälle ja pois päältä

Pidä teleskooppisesta moottorisahasta aina kiinni molemmin käsin. Aseta toinen käsi teleskooppikahvalle (9) ja toinen käsi takakahvalle lähellä virtakytkintä. Käytä laitetta pitämällä virtakytkintä (8) painettuna. Kun virtakytkin vapautetaan, laite pysähtyy automaattisesti.

#### Käytön aikana

Odota, että ketju on saavuttanut toimintanopeuden ennen kuin kosketat puuta. Älä kohdista moottorisahaan voimaa leikkaamisen aikana. Säilytä tasainen nopeus ja anna ketjun tehdä työ. Tarkista säännöllisesti öljyn määrä säiliössä, täytä säiliö ennen kuin se tyhjenee kokonaan. Suuret/pitkät oksat on suositeltavaa sahata osissa.

#### Käytön jälkeen

Pyyhi lika ja roskat ketjusta (4) harjalla tai liinalla. Aseta teräsuojus (13) ja irrota akku (14) ennen laitteen varastointia. Öljyvuotojen estämiseksi varastoinnin aikana tyhjennä jäljellä oleva öljy säiliöstä (6) sopivaan astiaan.

## 5. YLLÄPITO



*Sammuta laite ja irrota akku laitteesta aina ennen puhdistusta ja huoltoa.*

Puhdista laitteen ulko-kuoret säännöllisesti pehmeällä liinalla, mieluiten jokaisen käyttökerran jälkeen. Varmista, että tuuletusaukoissa ei ole pölyä tai likaa. Poista vaikeat tahrat käyttämällä saippua-vaahdon kostutettua pehmeää liinaa. Älä käytä

luottimia, kuten bensiiniä, alkoholia, ammoniakkaa jne. Vastaavat kemikaalit vaurioittavat laitteen synteettisiä komponentteja.

### Teräketjun kireyden säätäminen (kuva H)

Normaali kuluminen saa ketjun venymään hitaasti ajan myötä. Moottorisahassa on kiristysmekanismi, joka kompensoi tätä venymistä. Säädä ketjun kireyttä kääntämällä laitteen etuosassa olevaa ketjun kiristyspulttia (21). Ketju (4) on oikein kireällä, kun sitä voidaan nostaa n. 2-3 mm käsin terälevyn (5) keskelle. Kun kiristysmekanismi ei enää pysty täysin kompensoimaan venymistä, ketju on kulunut ja se on vaihdettava.

### Teräketjun vaihtaminen (kuva H)

1. Löysää ruuvia (22) ja irrota suojus (23).
2. Irrota ketju (4) ja terälevy (5). Hävitä vanha ketju.
3. Aseta uusi ketju terälevyn ympärille. Varmista, että uuden ketjun koko on oikea ja noudata ketjun oikeaa kulkusuuntaa.
4. Aseta ketju vetopyörän päälle ja aseta terälevy takaisin paikalleen.
5. Varmista, että kaikki osat ovat kunnolla paikoillaan, asenna suojus (23) takaisin ja kiristä ruuvi (22).
6. Tarkista ketjun kireys ja säädä tarvittaessa.

### Säilyttäminen

Teleskooppinen moottorisaha tulee säilyttää turvalisessä, kuivassa paikassa, poissa lasten ulottuvilta. Älä aseta muita esineitä sen päälle. Huomaa, että öljysäiliön korkissa (6) on pieni tuuletuskanava. Laite on säilytettävä vaakasuorassa asennossa säiliön korkki ylhäällä, jotta estetään öljyvuoto korkin kanavan kautta. Vaihtoehtoisesti, jos laite on varastoitava eri asennossa, öljy tulee tyhjentää säiliöstä sopivaan astiaan, jotta se ei vuotaisi varastoinnin aikana.

## YMPÄRISTÖ



*Vialliset ja/tai hävitetyt sähkö- ja elektroniiset laitteet tulee viedä asianmukaisiin erilliskeräyksiin.*

### Vain EU-maat

Älä hävitä sähköyökaluja kotitalousjätteen mukana. Sähkö- ja elektroniikkalaitteita koskevan direktiivin 2012/19/EY ja vastaavien kansallisten lakien mukaisesti sähköyökalut tulee hävittää erilliskeräyksessä ja ympäristöystävällisesti niiden käyttöiän päätyttyä.

## TAKUU

VONROC-tuotteet on kehitetty korkeimpien laatusstandardien mukaan ja ne sisältävät materiaali- ja valmistusviat kattavan takuun, joka on voimassa lain mukaan määritetyn ajan alkuperäisestä ostopäivämäärästä lähtien. Mikäli tuotteessa ilmenee materiaali- ja/tai valmistusvikoja tämän aikajakson aikana, ota yhteyttä suoraan VONROC-yhtiöön.

Tämä takuu ei kata seuraavia olosuhteita:

- Valtuuttamattomat huoltopalvelut ovat tehneet tai yrittäneet tehdä tuotteeseen korjauksia.
- Normaalii kuluminen.
- Työkalua on väärinkäytetty, käytetty tai ylläpidetty virheellisesti.
- Tuotteessa on käytetty muita kuin alkuperäisiä varaosia.

Yhtiö myöntää yksinomaan tämän takuun. Muita suoraa tai välillisiä takuita ei myönnetä tämän takuun lisäksi, mukaan lukien välilliset takuut koskien kaupattavuutta ja sopivuutta tiettyyn käyttötarkoitukseen. VONROC ei missään tapauksessa ota vastuuta satunnaisista tai seuraamuksellisista vahingoista. Jälleenmyyjien korjaavat toimet rajoittuvat niiden yksiköiden tai osien korjaamiseen tai vaihtamiseen, jotka eivät ole vaatimustenmukaisia.

**Tuotteeseen ja ohjekirjaan voidaan tehdä muutoksia. Teknisiin tietoihin voidaan tehdä muutoksia ilmoituksetta.**

## 1. SIKKERHETSANVISNINGER

Les de medfølgende sikkerhetsadvarslene, ekstra sikkerhetsadvarsler og instruksjonene. Dersom du ikke følger alle advarsler og instruksene kan det føre til elektrisk støt, brann og/eller alvorlig personskade. Ta vare på sikkerhetsadvarslene og instruksene for fremtidig referanse.

Følgende symboler brukes i denne bruksanvisningen eller på produktet:



Les bruksanvisningen.



Angir fare for personskader, ta p av liv eller skader på verktøyet dersom instruksene i bruksanvisningen ikke følges.



Fare for elektrisk støt.



Max 45°C

Maks temperatur 45°C.



Ikke kast batteriet på åpen ild.



Ikke kast batteriet i vann.



Bruk hodebeskyttelse.



Bruk vernebriller.



Ikke utsett for regn.



Hold hendene borte fra bladet.



Vær obs på gjenstander som kastes. Hold tilskuere borte.



Hold produktet borte fra høyspentledninger! Minimumsavstand 10 meter.



Klasse II apparat. Dobbelisolert, Det er ikke behov for jordet støpsel.



T3-15A

Tidsforsinket miniatyrsikringskobling.



Egen samling for Li-ion batteri.



Ikke avhende produktet i uegnede beholdere.



Produktet er i samsvar med aktuelle sikkerhetsstandarder i EU-direktivene.

## GENERELLE SIKKERHETSADVARSLER FOR ELEKTROVERKTØY



**ADVARSEL!** Les alle sikkerhetsadvarsler og alle instruksjer. Manglende overholdelse av advarslene og instruksjonene kan resultere i elektrisk sjokk, brann og/eller alvorlig skade.

### Ta vare på alle advarsler og instruksjoner for fremtidig bruk.

Uttrykket "elektroverktøy" i advarslene gjelder for strømdrevne elektroverktøy (med ledning) og batteridrevne elektroverktøy (uten ledning).

#### 1) Sikkerhet på arbeidsområdet

- Hold arbeidsområdet rent og godt opplyst.** Rotete eller mørke omgivelser innbyr til ulykker.
- Ikke arbeid med elektroverktøy i eksplosjonsfarlige atmosfærer, for eksempel der det er brennbare væsker, gass eller støv.** Elektrisk verktøy skaper gnister som kan antenne støv eller gasser.
- Hold barn og andre personer unna når du bruker et elektroverktøy.** Distraksjoner kan føre til at du mister kontrollen.

#### 2) Elektrisk sikkerhet

- Støpselet på verktøyet må passe til stikkontakten. Aldri modifier støpselet på noen måte. Ikke bruk adapterstøpsler til jordede elektriske verktøy.** Umodifiserte støpsler og stikkontakter som passer vil redusere risikoen for elektrisk sjokk.
- Unngå kroppskontakt med jordede overflater som rør, radiatorer, komfyrer og kjøleskap.** Det er økt risiko for elektrisk støt dersom kroppen din er jordnet.
- Ikke utsett elektroverktøy for regn eller fuktighet.** Dersom det kommer vann inn i et elektrisk verktøy vil det øke risikoen for elektrisk støt.
- Unngå uforvarlig behandling av ledningen. Aldri bruk ledningen til å bære, trekke eller dra ut støpselet til det elektriske verktøyet. Hold ledningen borte fra varme, olje, skarpe kanter eller bevegelige deler.** Skadede eller innviklede ledninger øker risikoen for elektrisk sjokk.
- Når du bruker et elektroverktøy utendørs, må du bruke en skjøteledning som er egnet til**

- utendørs bruk.** Bruk av en skjøteledning be-  
regnet for utendørs bruk reduserer risikoen for  
elektrisk støt.
- f) **Hvis du ikke kan unngå å bruke elektroverktøy  
på et fuktig sted, må du bruke en strømforsy-  
ning som er beskyttet med jordfeilbryter (RCD).**  
Bruk av jordfeilbryter (RCD) reduserer risikoen  
for elektrisk støt.
- 3) Personlig sikkerhet**
- a) **Vær oppmerksom, pass på hva du gjør, og vis  
fornuft når du arbeider med et elektroverktøy.  
Ikke bruk et elektrisk verktøy dersom du er  
trøtt eller er påvirket av medikamenter, narkoti-  
ka eller alkohol.** Ett øyeblikks uoppmerksomhet  
under bruk av elektriske verktøy kan føre til  
alvorlig personskade.
- b) **Bruk personlig verneutstyr. Bruk alltid verne-  
briller.** Verneutstyr slik som støvmaske, sklisikre  
vernesko, hjelm, eller hørselsvern brukt under  
passende forhold vil redusere personskader.
- c) **Forhindre utilsiktet start. Kontroller at bryteren  
står i posisjon «av» før du kobler til strømkilden  
og/eller batteripakken, og før du tar opp eller  
bærer verktøyet.** Å bære elektriske verktøy med  
fingeren på bryteren, eller å sette inn støpselet  
mens elektriske verktøy har bryteren på øker  
faren for ulykker.
- d) **Fjern eventuelt innstillingsverktøy eller skru-  
verktøy før du slår på elektroverktøyet.** Et skru-  
verktøy eller en nøkkel som fortsatt er festet til  
en roterende del av elektroverktøyet, kan føre til  
personskade.
- e) **Ikke strekk deg for langt. Ha godt fotfeste og  
stå støtt hele tiden.** Dette fører til at du har  
bedre kontroll over det elektriske verktøyet ved  
uventede situasjoner.
- f) **Bruk egnede klær. Ikke ha på deg løstsittende  
klær eller smykker. Hold hår, antrekk og han-  
sker borte fra bevegelige deler.** Løstsittende  
klær, smykker og langt hår kan bli fanget opp av  
bevegelige deler.
- g) **Hvis det kan monteres støvavsug- og oppsam-  
lingsinnretninger, må du forvise deg om at disse  
er tilkoblet og brukes på riktig måte.** Bruk av  
støvoppsamlere kan redusere støvrelaterte farer.
- h) **Ikke la erfaring og kjennskap som skyldes hyp-  
pig bruk av verktøy føre til at du blir skjødesløs  
og ignorerer sikkerhetsreglene.** En tankeløs  
handling kan føre til alvorlig personskade på  
brøkdelen av et sekund.
- 4) Bruk og stell av elektriske verktøy**
- a) **Ikke bruk makt på elektroverktøyet. Bruk det  
elektriske verktøyet som situasjonen krever.**  
Det riktige elektriske verktøyet vil gjøre jobben  
bedre og tryggere ved den hastigheten det ble  
konstruert for.
- b) **Ikke bruk elektroverktøyet hvis du ikke kan slå  
det på og av med bryteren.** Ethvert elektrisk  
verktøy som ikke kan kontrolleres med bryteren  
er farlig og må repareres.
- c) **Trekk støpselet ut av stikkkontakten og/eller  
koble fra batteripakken på elektroverktøyet  
før du utfører innstillinger, bytter tilbehør eller  
legger elektroverktøyet bort for lagring.** Slike  
preventive sikkerhetsforanstaltninger reduserer  
risikoen for å starte det elektriske verktøyet ved  
et uhell.
- d) **Elektroverktøy som ikke er i bruk, må oppbeva-  
res utilgjengelig for barn. Ikke la verktøyet bli  
brukt av personer som ikke er fortrolige med  
det, eller som ikke kjenner disse instruksjone-  
ne.** Elektriske verktøy er farlige i hendene på  
utrenede brukere.
- e) **Vedlikehold elektroverktøyene. Sjekk om  
bevegelige deler er feiljustert eller blokkert,  
om deler er skadet, og om det er andre forhold  
som kan påvirke elektroverktøyet funksjon.**  
**Dersom det er skadet, få verktøyet reparert før  
neste bruk.** Mange ulykker forårsakes av dårlig  
vedlikeholdte verktøy.
- f) **Hold skjæreverktøy skarpe og rene.** Godt ved-  
likeholdte skjæreverktøy med skarpe skjære-  
kanter setter seg mindre sannsynlig fast og er  
lettere å kontrollere.
- g) **Bruk elektroverktøy, tilbehør, bor osv. i henhold  
til disse instruksjonene. Ta hensyn til arbeids-  
forholdene og arbeidet som skal utføres.** Bruk  
av det elektriske verktøyet for oppgaver som er  
forskjellige fra de som er tiltenkt kan føre til en  
farlig situasjon.
- h) **Hold håndtak og gripeflater tørre, rene og fri  
for olje og fett.** Glatte håndtak og gripeflater  
gir utrygg håndtering og dårlig kontroll over  
verktøyet i uventede situasjoner.
- 5) Bruk og stell av batteriverktøy**
- a) **Ladningen skal bare skje med den laderen  
som produsenten har spesifisert.** En lader som  
passer for en type batteripakke kan føre til farer  
ved bruk for andre typer batteripakker.



- b) **Bruk elektroverktøy bare sammen med spesifikt angitte batteripakker.** Bruk av andre batteripakker kan føre til risiko for personskade og brann.
- c) **Når batteripakken ikke er i bruk, må du oppbevare den atskilt fra andre metallgjenstander som binders, mynter, nøkler, spiker, skruer eller andre små metallgjenstander som kan opprette en forbindelse fra en terminal til en annen.** Kortslutning av batteripolene mot hverandre kan føre til brannskader eller brann.
- d) **Ved feilaktig bruk kan det komme væske ut av batteriet, unngå kontakt. Ved utilsiktet kontakt, skyl med vann. Dersom du får væsken i øynene, søk legehjelp.** Væske som kommer ut av batteriet kan føre til irritasjon eller brannskader.
- e) **Bruk ikke en batteripakke eller et verktøy som er skadet eller modifisert.** Skadede eller modifiserte batteripakker kan ha uforutsigbar oppførsel som fører til brann, eksplosjon eller fare for personskader.
- f) **Ikke utsett batteripakken eller verktøyet for idd eller høy temperatur.** Eksponering for temperaturer over 130 °C kan føre til eksplosjon. MERK Temperaturen "130 °C" tilsvarer temperaturen "265 °F".
- g) **Følg alle anvisningene om lading og ikke lad batteripakken eller verktøyet utenfor temperaturområdet som er angitt i bruksanvisningen.** Feilaktig eller lading ved temperaturer utenfor et angitte området kan skade batteriet og øker faren for brann.
- 6) Service**
- a) **Elektroverktøyet skal repareres av kvalifisert personell og bare med originale reservedeler.** Dette vil sikre at verktøyet sikkerhet blir ivarettatt.
- b) **Utfør aldri service på skadede batteripakker.** Service på batteripakker skal kun utføres av produsenten eller autoriserte serviceverksteder.

## TELESKOPISK KJEDESAG SIKKERHETSADVARSLER

- a) **Hold alle kroppsdeler borte fra bladet.** Ikke fjern oppkuttet materiale eller hold materialet som skal kuttes når knivene er i bevegelse. Sørg for at verktøyet er slått av og at batteriet er fjernet når du fjerner fast materiale. Et øyeblikks uoppmerksomhet mens du bruker kjedesagen kan føre til alvorlig personskade.
- b) **Hold kjedesagen kun i de isolerte gripeflatene. Dette fordi bladet kan komme i kontakt med skjulte ledninger.** Sagkjeder som kommer i kontakt med strømførende ledninger kan gjøre eksponerte metalldele på verktøyet strømførende og gi brukeren elektrisk støt.
- c) **Hold et fast grep med begge hender og plasser kroppen og armen slik at du kan motstå eventuell rekyl.** Rekylstyrker kan kontrolleres av operatøren, hvis det tas riktige forholdsregler. Ikke slipp den teleskopiske kjedesagen.
- d) **Vær oppmerksom på rekyl når du klipper en gren.** Når grenen er brutt kan den bøye seg ned og sette seg fast i sagkjedet.
- e) **Bær kjedesagen avslått, alltid med begge hender og med sagkjededekselet påmontert.** Korrekt håndtering av kjedesagen vil redusere sannsynligheten for utilsiktet kontakt med det bevegelige sagkjedet.
- f) **Ikke bruk den teleskopiske kjedesagen i et tre.** Bruk av en teleskopisk kjedesag mens du klatrer eller befinner deg i et tre kan føre til personskade.
- g) **Ha alltid riktig fotfeste og bruk kjedesagen kun når du står på en fast, sikker og jevn overflate.** Glatte eller ustabile overflater som f.eks. stiger kan føre til tap av balanse eller kontroll over kjedesagen.
- h) **Følg instruksjonene for smøring, kjedestramming og bytte av tilbehør.** Et kjede som er feil strammet eller smurt, kan enten ryke eller øke sjansen for rekyl.
- i) **Hold håndtakene tørre, rene og fri for olje og fett.** Fettete, oljete håndtak er glatte og forårsaker tap av kontroll.
- j) **Sag kun ved.** Ikke bruk den teleskopiske kjedesagen til formål den ikke er beregnet for. Eksempel: ikke bruk kjedesagen til å kutte plast, murverk eller andre byggematerialer som ikke er av tre. Bruk av den teleskopiske kjedesagen til andre operasjoner enn tiltenkt kan føre til en farlig situasjon.
- k) **Årsaker og operatørforebygging av rekyl:**
- Rekyl kan oppstå når nesen eller tuppen av sverdet berører en gjenstand, eller når treverket lukker seg og klemmer sagkjedet i snittet.
  - Tuppen kan i noen tilfeller føre til en plutselig omvendt reaksjon, og sparke sverdet opp og tilbake mot operatøren.

- Å klemme sagkjedet langs toppen av sverdet kan skyve sverdet raskt tilbake mot operatøren. Hver av disse reaksjonene kan føre til at du mister kontrollen over den teleskopiske kjedesagen, noe som kan føre til alvorlig personskade. Som kjedesagbruker bør du sette din ære i å holde sagejobbene fri for ulykker eller skader. **Rekyl er et resultat av feil bruk av produktet. Rekyl kan unngås ved å ta riktige forholdsregler som angitt nedenfor.**
  - l) **Bruk kun nye sagkjeder spesifisert av produsenten.** Feil sagkjeder kan forårsake kjedebrudd eller rekyl.
  - m) **Hvis stangen er skadet og trenger utskifting, kontakt din forhandler.**
  - n) **For å forhindre utilsiktet betjening av sagkjedet, er denne kjedesagen utstyrt med en bryter med mekanisk forrigling.** For å betjene kjedesagen, må låseknappen trykkes inn før sagkjedet starter
    - Ikke bruk produktet uten å trykke på låseknappen.
    - Ikke bruk dette verktøyet med kun én hånd. Hold produktet sikkert med begge hender; en hånd for å holde produktet sikkert og den andre for å betjene på/av-bryteren.
  - o) **La aldri barn, personer med fysiske, sensoriske eller mentale begrensninger eller mangel på erfaring og/eller kunnskap og/eller personer som ikke er kjent med disse instruksjonene bruke maskinen.** Lokale forskrifter kan begrense alderen til operatøren.
  - p) **Barn skal ha tilsyn for å sørge for at de ikke leker med maskinen.**
  - q) **Når den ikke er i bruk, oppbevar den teleskopiske kjedesagen utilgjengelig for barn.**
  - r) **Kontroller arbeidsområdet før bruk og fjern alle mulige farer.**
  - s) **Vent alltid til maskinen har stoppet helt og ta ut batteriet før du setter maskinen ned.** Sagkjedet kan sette seg fast eller slå tilbake, og føre til tap av kontroll over maskinen.
  - t) **Slå av kjedesagen ved endring av arbeidsstilling.**
  - u) **En avkuttet gren kan føre til personskade ved å falle på deg eller sprette tilbake fra bakken.** Sag lengre grener i mindre deler.
  - v) **Reduser kraften før grenen kuttes helt av.** Du kan bli skadet når du mister balansen og kontrollen over kjedesagen.
  - w) **Ikke heng produktet i et tre når du ikke bruker det.** Plasser alltid verktøyet på bakken på et trygt sted uten å ta ut batteriet.
- YTTERLIGERE SIKKERHETSADVARSLER**
- a) **Dette verktøyet skal ikke brukes av personer (inkludert barn) med reduserte fysiske, sensoriske eller mentale evner, eller mangel på erfaring og kunnskap,** med mindre de har fått innføring eller instruksjoner om bruk av apparatet av en person som er ansvarlig for deres sikkerhet. Barn skal ha tilsyn for å sørge for at de ikke leker med apparatet.
  - b) **Hold alltid maskinen godt med begge hender under arbeidet, og sørg for en sikker stilling.** Elektroverktøyet styres sikrere med begge hender.
  - c) **Sørg alltid for at alle håndtak og vern er montert når du bruker maskinen.** Forsøk aldri å ta i bruk en ufullstendig maskin eller en som er utstyrt med en uautorisert modifikasjon.
  - d) **Smør alltid skjærebladet med beskyttelses-spray før bruk.**
  - e) **Vent alltid til maskinen har stoppet fullstendig før du legger den ned.**
  - f) **Andre personer og dyr bør holde seg på en avstand på minimum tre meter når maskinen er i bruk.** Operatøren er ansvarlig for tredjepersoner i arbeidsområdet.
  - g) **Ta aldri tak i sagkjedet.**
  - h) **Barn eller personer som ikke er kjent med disse instruksjonene må ikke bruke kjedesagen.** Lokale forskrifter kan begrense alderen til operatøren.
  - i) **Brukeren er ansvarlig for ulykker eller farer som oppstår for andre personer eller eiendommen deres.**
  - j) **Ikke bruk kjedesagen når du går barbeint eller i åpne sandaler, bruk alltid et solidt fottøy og lange bukser.** Bruk av solide hansker, sklisikre sko og vernebriller anbefales. Ikke bruk løse klær eller smykker som kan sette seg fast i bevegelige deler.
  - k) **Inspiser området der kjedesagen skal brukes grundig og fjern alle ledninger og andre fremmedlegemer.**
  - l) **Før bruk må sagkjede, sverd og bolter undersøkes for slitasje eller skade.** Ikke bruk med en skadet eller svært slitt kjedesag.
  - m) **Vet hvordan du stopper kjedesagen hurtig i en nødssituasjon.**
  - n) **Bruk kjedesagen bare i dagslys eller i et godt kunstig lys.**
  - p) **Bruk aldri kjedesagen med defekte vern eller uten at vernet er på plass.**
  - p) **Aldri hold kjedesagen i vernet.**
  - q) **Når du bruker kjedesagen, må du sørge for å stå skikkelig og balansert til enhver tid.**

- r) Vær alltid oppmerksom på omgivelsene dine og vær på vakt mot mulige farer som du kanskje ikke hører når du bruker kjedesagen.
- s) Hold alle muttere, bolter og skruer stramme for å sikre at kjedesagen alltid står i en trygg arbeidstilstand.
- t) Den teleskopiske kjedesagen bør oppbevares på et tørt, elevert, eller innelåst sted som er utilgjengelig for barn.
- u) Bytt for sikkerhets skyld ut slitte eller skadde deler.
- v) Ikke utfør reparasjoner på maskinen med mindre du er kvalifisert til å gjøre det.
- w) Hold produktet sikkert med å bruke begge hender.

### SIKKERHETSADVARSLER FOR BATTERI

- a) Ikke åpne batteriet. Fare for kortslutning.
- b) Beskytt batteriet mot varme, som f. eks. kontinuerlig kraftig solskinn, ild, vann og fuktighet. Fare for eksplosjon.
- c) Ved skade på eller feilaktig bruk av batteriet, kan det avgis damp. Ventiler området og få legehjelp dersom du merker ubehag. Dampen kan irritere åndedrettsystemet.
- d) Bruk kun batteriet sammen med ditt Vonroc-produkt. Kun da er du sikret mot at batteriet overbelastes.
- e) Batteriet kan ta skade av skarpe objekter som spikere og skrutrekkere, eller av ekstern kraft. En intern kortslutning kan oppstå og batteriet kan ta fyr, utvikle røyk, eksplodere eller bli overopphetet.

### SIKKERHETSANVISNINGER FOR LADEREN

#### Tiltenkt bruk

Lad kun oppladbare batteripakker av typen CD801AA og CD803AA med laderen. Andre typer batterier kan sprekke og forårsake personskade og skade.

- a) Apparatet skal ikke bli brukt av personer (inkludert barn) med reduserte fysiske, sensoriske eller mentale evner, eller mangel på erfaring og kunnskap, med mindre de har fått tilsyn eller instruksjon.
- b) Barn som er under tilsyn skal ikke å leke med apparatet.
- c) Ikke lad opp ikke-oppladbare batterier!
- d) Under lading skal batterier plasseres i et område som er godt ventilert!

### Elektrisk sikkerhet



Kontroller alltid at nettspenningen på strømforsyningen er i overensstemmelse med spenningen på typeskiltet.

- Ikke bruk maskinen dersom strømkabelen eller støpselet er skadet.
- Bruk kun skjøteledninger som passer med effekten på maskinen, med minimum tverrsnitt på 1,5 mm<sup>2</sup>. Dersom du bruker skjøteledning på en trommel, rull alltid kabelen helt ut.

## 2. MASKININFORMASJON

### Tiltenkt bruk


Maskinen er beregnet for hjemmebruk, for beskjæring av trær og busker i elevert høyde, mens brukeren står nede på bakken. Maskinen er ikke ment å bli brukt på en stige eller trapp. Maskinen er ikke konstruert for å sage uorganisk materiale. Dette verktøyet er ikke beregnet for kommersiell eller industriell bruk.


### TEKNISKE SPESIFIKASJONER





Denne manualen er laget for ulike sett / artikkelnummer. For det korrekte sammensettning og innhold i settet ditt, kontroller det tilsvarende artikkelnummeret i spesifikasjonstabellen nedenfor.

Modellnr.	Batterier inkludert	Ladere inkludert
<b>CS504DC</b>	-	-
<b>S_CS504DC</b>	CD801AA	CD802AA
<b>S2_CS504DC</b>	2 x CD801AA	CD802AA
<b>S3_CS504DC</b>	CD803AA	CD802AA

Maskinformasjon	
Spenning	20V 
Kjedehastighet	5 m/s
Kjedesverdlengde	200 mm
Kjedelengde	44T
Kjedestigning	1/4 "
Kjedemåler	0,043 "
Lengdejustering	200-260 cm
Lydtrykknivå (LpA)	78,2 dB, k = 3 dB
Lydtrykknivå (LWA)	88 dB(A), K = 3 dB(A)
Garantert LWA	91 dB
Vibrasjon	fronthåndtak $a_h = 2,74 \text{ m/s}^2$ bakhåndtak $a_h = 2,69 \text{ m/s}^2$ $K = 1,5 \text{ m/s}^2$
Vekt	2,3 kg

Modellnr.	CD801AA
Batteritype	Litium-ion
Spenning	20V 
Kapasitet	2,0 Ah
Anbefalt lader	CD802AA
Vekt	0,3 kg

Modellnr.	CD802AA
Ladertilførsel	220-240 V, 50 Hz 0,4 A
Ladereffekt	21 V  2,5A
Ladetid 2Ah batteri	60 minutter
Ladetid 4Ah batteri	120 minutter
Anbefalte batterier	CD801AA, CD803AA
Vekt	0,36 kg

Modellnr.	CD803AA
Batteritype	Litium-ion
Spenning	20V 
Kapasitet	4,0 Ah
Anbefalt lader	CD802AA
Vekt	0,65 kg

Bruk kun de følgende batterier til VONROC VPOWER 20V batteriplattformen. Bruk av andre batte-

rier kan føre til alvorlig personskade eller skader på verktøyet.

CD801AA 20V, 2Ah Lithium-Ion

CD803AA 20V, 4Ah Lithium-Ion

Følgende lader kan brukes for å lade opp disse batteriene.

CD802AA Hurtiglader

Batteriene basert på VONROC VPOWER 20V-batteriplattform er utbyttbare med alle batterier for VONROC VPOWER 20V batteriplattformverktøy.

### BESKRIVELSE

Tallene i teksten henviser til diagrammene på side 2-5.

1. Kjedesaghode
2. Justeringsknapp for hodet
3. Låsering for hodet
4. Sagkjede
5. Kjedesagsverd
6. Oljetanklokk
7. Låsespak for håndtak
8. Av/På bryter
9. Teleskophåndtak
10. Strømkontakt
11. Skulderstropp
12. Karabinkrok
13. Kjededeksel
14. Batteri
15. Batterilader
16. Batteriopplåsningsknapp
17. Batteri LED-indikatorknapp
18. Batteri LED-indikator
19. Lader LED-indikator

### 3. MONTERING



Før noe slags arbeid (vedlikehold, verktøybytte, montering) på elektroverktøyet, fjern batteriet fra elektroverktøyet.



Batteriet må lades før brukt for første gang.

#### Sette batteriet inn i maskinen (Fig. B-1)

Sørg for at utsiden av batteriet er rent og tørt før du tilkobler laderen eller maskinen.

1. Sett inn batteriet (14) inn i basen av maskinen, som vist i Fig. B-1.
2. Skyv batteriet lenger frem til det klikker på plass.

**Fjerne batteriet fra maskinen (Fig. B-1)**

1. Trykk på batterioplåsningsknappen (16).
2. Dra batteriet ut av maskinen som vist i Fig. B-1.

**Kontroller batteriets ladestatus (Fig. B-2)**

- For å kontrollere batteriets ladestatus, trykk hurtig på knappen (17) på batteriet.
- Batteriet har tre lamper som indikerer ladenivået, jo flere lamper som lyser, jo mer ladning har batteriet igjen.
- Når lampene ikke lyser, betyr dette at batteriet er tomt og umiddelbart må lades.

**Lading av batteriet ved å bruke laderen (Fig. B-2)**

1. Ta batteriet (14) ut av maskinen.
2. Snu batteriet (14) opp-ned og skyv det oppå laderen (15) som vist i Fig. B-2.
3. Skyv batteriet til det er fullstendig skjøvet inn i sporet.
4. Koble ladepluggen til en stikkontakt og vent en stund. LED-indikatorene på laderen (19) vil lyse opp og vise laderens status.

**Laderen har to LED-indikatorer (19) som indikerer statusen på ladeprosessen:**

Rød LED-status	Grønn LED-status	Laderstatus
Av	Av	Ingen strøm
Av	På	Standby-modus: - Ingen batteri satt inn, eller: - Batteri satt inn, ladingen er ferdig
På	Av	Batterilading pågår

- Fulllading av 2Ah-batteriet kan ta opptil 60 minutter.
- Fulllading av 4Ah-batteriet kan ta opptil 120 minutter.

Etter at batteriet er fulladet, fjern laderpluggen fra stikkontakten og fjern batteriet fra laderen.



Når maskinen ikke skal brukes over lengre tid, er det best å oppbevare batteriet i ladet tilstand.

**Verktøymontering (fig. C, D)**

- Fest skulderstroppen (11) til løkken på håndtaket (9) med karabinkroken (12).

- Løsne låseringen for hodet (3) ved å dreie den mot klokken. Ikke fjern ringen helt fra hodet.
- Monter kjedesaghodet (1) på teleskophåndtaket (9) ved å sette strømkontakten (10) inn i hodet.
- Hvis kontakten (10) ikke er satt skikkelig inn, kan det hende at det ikke er noen elektrisk tilkobling, og verktøyet vil ikke fungere. Pass på at strømkontakten er satt skikkelig inn i kjedesaghodet. Skruen (20) på håndtaket skal dekkes av kjedesaghodet (1) og låseringen (3).
- Lukk kjedesaghodet (1) ved å rotere låseringen (3) med klokken



*Fest aldri beltet diagonalt over skulderen og brystet, men plasser det på en av skuldrene. På denne måten kan du i tilfelle fare fjerne verktøyet raskt fra kroppen.*

**Justering av teleskop høyden (fig. E-1, E-2)**

- Lås opp spaken (7) for å løsne teleskophåndtaket (9).
- Dra ut eller trekk inn teleskophåndtaket (9) til den ønskede lengden.
- Sikre teleskophåndtaket ved å låse spaken (7).

**Justering av det svingbare kjedesaghodet (Fig. F-1, F-2)**

- Trykk på knappen (2) på siden av kjedesaghodet (1).
- Juster hodet til den ønskede posisjonen.
- Slipp knappen (2) og sørg for at hodet er låst på plass.

**4. DRIFT****Før bruk (fig. G)**

Fjern kjededekselet (13) og sjekk oljenivået i tanken (6). Ikke bruk sagen med en tom oljetank. Bruk kun biologisk nedbrytbar kjedesagolje. Sjekk om kjedet (4) er korrekt strammet. Kjedet er korrekt strammet når det kan heves ca. 2–3 mm for hånd i midten av kjedesverdet (5).

**Å slå av og på**

Hold alltid den teleskopiske kjedesagen med begge hender. Plasser én hånd på teleskophåndtaket (9) og én hånd på det bakre håndtaket nær strømbryteren. Trykk og hold inne strømbryteren (8) for å betjene maskinen. Når du slipper strømbryteren, vil maskinen automatisk stoppe.

**Under bruk**

Få kjedet opp i hastighet før du kommer i kontakt med treverket. Ikke bruk makt på kjedesagen mens du sager. Hold maskinen i en jevn hastighet og la kjedet gjøre jobben. Sjekk regelmessig oljenivået i tanken, fyll på tanken før den er helt tom.

Ved saging av store/lange greiner, er det anbefalt å sage av i deler.

**Etter bruk**

Tørk av skitt og rusk fra kjedet (4) ved å bruke en børste eller klut. Sett på kjededekselet (13), og fjern batteriet (14) før du oppbevarer maskinen. For å forhindre at oljen lekker under lagring, tøm eventuell gjenværende olje fra tanken (6) i en egnet beholder.

**5. VEDLIKEHOLD**

*Før rengjøring og vedlikehold, slå alltid av maskinen og fjern batteripakken fra maskinen.*

Rengjør batterihuset regelmessig, helst etter hver bruk, med en myk klut. Sørg for at ventilasjonsåpningene er fri for støv og skitt. Fjern svært vedvarende smuss med en myk klut fuktet med såpeskum. Ikke bruk løsemidler som f.eks bensin, alkohol, ammoniakk osv. Kjemikalier som disse vil skade de syntetiske komponentene på maskinen.

**Justering av sagkjedespenningen (fig. H)**

Normal slitasje vil føre til at kjedet strekker seg sakte ut over tid. Kjedesagen er utstyrt med en strammemekanisme for å kompensere for denne strekkingen. Drei kjedestråmingsbolten (21) foran på maskinen for å justere kjedestråmningen. Kjedet (4) er riktig strammet når det kan løftes ca. 2–3 mm for hånd i sentrum av kjedesverdet (5). Når spennmekanismen ikke lenger klarer fullt ut å kompensere for strekkingen, er kjedet utslitt og må skiftes.

**Skifting av sagkjede (fig. H)**

1. Løsne skruen (22) og fjern dekselet (23).
2. Fjern kjedet (4) og kjedesagsverdet (5). Kast det gamle kjedet.
3. Plasser det nye kjedet rundt kjedesverdet. Sørg for at størrelsen på det nye kjedet er riktig og verifiser at kjedets kjøreretning er korrekt.
4. Monter kjedet over drivhjul og sett kjedesverdet på plass igjen.

5. Sørg for at alle delene sitter riktig og sett på igjen dekselet (23) og stram skruen (22).
6. Sjekk kjedestråmningen og juster om nødvendig.

**Lagring**

Den teleskopiske kjedesagen bør oppbevares på et tørt, elevert, eller innelåst sted som er utilgjengelig for barn. Ikke sett andre gjenstander oppå den. Merk at det er en liten luftkanal i oljetankklokken (6). Maskinen må lagres i en horisontal posisjon, med oljetankklokken øverst, for å hindre oljelekkasje gjennom kanalen i lokket. Alternativt, hvis maskinen må lagres i en annen posisjon, bør oljen tappes fra tanken i en egnet beholder for å forhindre lekkasje under lagring.

**MILJØ**

*Defekte og/eller kasserte elektriske eller elektroniske apparater må leveres på passende gjenbruksstasjon.*

**Kun for EU/EØS land**

Ikke kast elektriske verktøy i husholdingsavfallet. I henhold til EC-direktiv 2012/19/EU for elektronisk og elektrisk avfall (WEEE-direktivet) som inntatt i norsk lov, må elektroverktøy som ikke lenger er brukbare samles inn separat og avhendes på en miljøvennlig måte.

**GARANTI**

VONROC-produkter er utviklet i henhold til de høyeste kvalitetsstandarder og er garantert fri for defekter i både materialer og utførelse i den forskriftsmessige perioden fra og med den opprinnelige kjøpsdatoen. Dersom produktet viser feil i løpet av denne perioden som skyldes defekter i materialer og/eller utførelse, kontakt VONROC direkte.

Følgende omstendigheter er ekskludert fra denne garantien:

- Reparasjoner og/eller endringer som er foretatt eller forsøkt utført på apparatet ved et uautorisert servicesenter;
- Normal bruk og slitasje;
- Verktøyet er mishandlet, misbrukt eller feilaktig vedlikeholdt;
- Det er brukt uoriginale reservedeler.

Dette er den eneste garantien som firmaet gir, enten uttrykt eller underforstått. Det finnes ingen

andre uttrykte eller underforståtte garantier som rekker utover de viste her, inkludert underforståtte garantier for salgbarhet eller egnethet for bestemte formål. Under ingen omstendigheter kan VONROC holdes ansvarlig for tilfeldige skader eller følgeskader. Forhandlerens virkemidler er begrenset til reparasjon eller skifte av ukomforme moduler eller deler.

**Produktet og bruksanvisningen har forbehold om endringer. Spesifikasjonene kan endres uten forvarsel.**

## 1. SIKKERHEDSANVISNINGER

Læs de vedlagte sikkerhedsadvarsler, de yderligere sikkerhedsadvarsler og vejledningen. Hvis sikkerhedsadvarslene og vejledningen ikke følges, kan det resultere i elektrisk stød, brand og/eller alvorlige personskader. Gem sikkerhedsadvarslene og vejledningen til fremtidig brug.

Følgende symboler anvendes i brugervejledningen eller på produktet:



Læs brugervejledningen.



Angiver risiko for personskade, dødsfald eller beskadigelse af værktøjet i tilfælde af manglende overholdelse af anvisningerne i denne vejledning.



Risiko for elektrisk stød.



Maks. temperatur 45°C.



Kast ikke batteriet ind i åben ild.



Kast ikke batteriet ned i vand.



Bær hovedværn.



Bær sikkerhedsbriller.



Udsæt ikke for regn.



Hold hænderne væk fra klingens.



Pas på kastede genstande. Hold tilskuere væk.



Hold produktet væk fra højspændingsledninger!



Afstand på mindst 10 meter.



Klasse II apparat. Dobbeltisoleret - du har ikke brug for et jordstik.



Tidsforskudt miniature sikringsindsats.



Separat aflevering af Li-ion batteri.



Bortskaf ikke produktet i uegnede beholdere.



Produktet er i overensstemmelse med de gældende sikkerhedsstandarder i EU-direktiverne.

## GENERELLE SIKKERHEDSADVARSLER FOR ELVÆRKTØJ



**ADVARSEL! Læs alle sikkerhedsadvarsler og alle anvisninger.** Hvis advarslerne og vejledningen ikke følges, kan det resultere i elektrisk stød, brand og/eller alvorlige personskader.

**Gem alle advarsler og instruktioner til fremtidig brug.** Udtrykket "el-værktøj" i advarslerne refererer til dit el-værktøj (med ledning) eller dit batteridrevne (ledningsfri) el-værktøj.

### 1) Sikkerhed på arbejdsområdet

- Hold arbejdsområdet rent og godt oplyst.** Der er risiko for ulykker på rodede eller mørke områder.
- Brug ikke el-værktøj i eksplosive atmosfærer, f.eks. i nærheden af brandfarlige væsker, gasser eller støv.** El-værktøj danner gnister, der kan antænde støv eller dampe.
- Hold børn og tilskuere væk, mens du bruger et el-værktøj.** Distractioner kan få dig til at miste kontrollen.

### 2) El-sikkerhed

- Stik på el-værktøj skal passe til stikkontakten. Stikket må aldrig modificeres på nogen måde. Brug ikke adapterstik med jordforbundne (jordede) el-værktøj.** Umodificerede stik og tilsvarende stikkontakter reducerer risikoen for elektrisk stød.
- Undgå kropskontakt med jordede overflader, såsom rør, radiatorer, områder og køleskabe.** Der er en øget risiko for elektrisk stød, hvis din krop er jordet.
- El-værktøjer må ikke udsættes for regn eller våde omgivelser.** Vand, der trænger ind i et el-værktøj, vil øge risikoen for elektrisk stød.
- Misbrug ikke ledningen. Brug ikke ledningen til at bære, trække eller frakoble el-værktøjet. Hold ledningen væk fra varme, olie, skarpe kanter eller dele i bevægelse.** Beskadigede eller sammenfildrede ledninger øger risikoen for elektrisk stød.

- Når du betjener et el-værktøj udendørs, skal du bruge en forlængerledning, der er velegnet til udendørs brug.** Brug af en ledning, der er velegnet til udendørs brug, reducerer risikoen for elektrisk stød.
- Hvis det ikke kan undgås at bruge et maskinværktøj i et fugtigt miljø, bør du anvende en forsyning, der er beskyttet af en fejlstrømsafbryder (RCD).** Brugen af en RCD reducerer risikoen for elektrisk stød.

### 3) Personlig sikkerhed

- Vær opmærksom, se hvad du laver, og brug din sunde fornuft, når du bruger et el-værktøj. Brug ikke et el-værktøj, når du er træt eller påvirket af stoffer, alkohol eller medicin.** Et øjeblikvis uopmærksomhed under brug af el-værktøj kan resultere i alvorlig personskade.
- Brug personligt sikkerhedsudstyr. Bær altid beskyttelsesbriller.** Beskyttelsesudstyr såsom støvmaske, skridsikre sikkerhedssko, hjelm eller høreværn, der bruges til passende forhold, reducerer personskader.
- Undgå utilsigtet start. Sørg for, at kontakten er slukket, før du tilslutter strømkilden og/eller batteripakken, tager maskinen op eller bærer værktøjet.** Hvis el-værktøj bæres med fingeren på kontakten, eller hvis el-værktøj strømføres med tændt kontakt, inviterer det til ulykker.
- Fjern en eventuel justeringsnøgle eller skruenøgle, inden du tænder for el-værktøjet.** En skruenøgle eller en justeringsnøgle, der er fastgjort til en roterende del af el-værktøjet, kan resultere i personskade.
- Ræk dig ikke for langt. Hold altid et korrekt fodfæste og balance.** Dette giver bedre kontrol over el-værktøjet i uventede situationer.
- Klæd dig korrekt. Bær ikke løst tøj eller smykker. Hold dit hår, tøj og handsker væk fra bevægelige dele.** Løst tøj, smykker eller langt hår kan fanges i bevægelige dele.
- Hvis der leveres enheder til tilslutning af støvudsugnings- og opsamlingsfaciliteter, skal du sikre, at disse er tilsluttet og bliver brugt korrekt.** Brug af støvopsamling kan reducere støvrelaterede farer.
- Lad ikke kendskab opnået gennem hyppig brug af værktøj lade dig blive tilbagelænet og ignorere værktøjssikkerhedsprincipper.** En skødesløs handling kan forårsage alvorlig personskade inden for en brøkdal af et sekund.



#### 4) Brug og pleje af el-værktøj

- a) **Tving ikke el-værktøjet. Brug det korrekte el-værktøj til din opgave.** Det korrekte el-værktøj vil gøre et bedre stykke arbejde og vil være mere sikkert ved den hastighed, det var beregnet til.
- b) **Brug ikke el-værktøjet, hvis kontakten ikke tænder og slukker.** Ethvert el-værktøj, der ikke kan styres med tændknappen, er farligt og skal repareres.
- c) **Tag stikket ud af strømkilden og/eller fjern batteripakken fra el-værktøjet, før du foretager justeringer, skifter tilbehør eller opbevarer el-værktøj.** Disse forebyggende sikkerhedsforanstaltninger reducerer risikoen for at tænde el-værktøjet ved et uheld.
- d) **Opbevar inaktivt el-værktøj uden for børns rækkevidde, og lad ikke personer, der ikke har kendskab til el-værktøjet eller disse instruktioner, betjene el-værktøjet.** El-værktøjer er farlige i hænderne på utrænede brugere.
- e) **Vedligehold el-værktøjer. Se efter forkert justering eller binding af bevægelige dele, ødelagte dele og enhver anden tilstand, der kan påvirke el-værktøjets drift. Hvis det er beskadiget, bør du få el-værktøjet repareret før brug.** Mange ulykker forårsages af dårligt vedligeholdt el-værktøj.
- f) **Hold skæreværktøj skarpt og rent.** Korrekt vedligeholdt skæreværktøjer med skarpe skærekanter har mindre tilbøjelighed til at binde og er lettere at styre.
- g) **Brug el-værktøj, tilbehør og værktøjsbor osv. i overensstemmelse med disse instruktioner under hensyntagen til arbejdsforholdene og det arbejde, der skal udføres.** Brug af el-værktøjet til andet arbejde end det tilsigtede kan resultere i en farlig situation.
- h) **Hold håndtag og gribeflader tørre, rene og fri fra olie og fedtstof.** Glatte håndtag og gribeflader muliggør ikke sikker håndtering og kontrol af værktøjet i uventede situationer.

#### 5) Brug og pleje af værktøjsbatterier

- a) **Brug kun den oplader, der er specificeret af producenten, til opladning.** En oplader, der er egnet til én type batteripakke, kan forårsage risiko for brand, når den anvendes med en anden batteripakke.
- b) **Brug kun el-værktøj med specifikt udformede batteripakker.** Brug af andre batteripakker kan

resultere i risiko for personskader og brand.

- c) **Når batteripakken ikke er i brug, skal den holdes væk fra andre metalgenstande, som f.eks. papirclips, mønter, nøgler, søm, skruer eller andre små metalgenstande, der kan skabe en forbindelse fra den ene terminal til den anden.** Hvis batteriterminalerne kortsluttes, kan det forårsage forbrændinger eller en brand.
- d) **Ved forkert anvendelse kan der slippe væske ud af batteriet; undgå kontakt. Skyl med vand, hvis der skulle opstå kontakt ved et uheld. Søg derudover lægehjælp, hvis der kommer væske ind i øjnene.** Væske fra batteriet kan forårsage irritation eller forbrændinger.
- e) **Brug ikke en batteripakke eller et værktøj, der er beskadiget eller modificeret.** Beskadigede eller modificerede batterier kan udvise uforudsigelig adfærd, hvilket resulterer i brand, eksplosion eller risiko for personskade.
- f) **Undlad at udsætte en batteripakke eller et værktøj for åben ild eller for høj temperatur.** Udsættelse for åben ild eller temperatur over 130 °C kan forårsage eksplosion. BEMÆRK Temperaturen „130 °C“ kan erstattes af temperaturen „265 °F“.
- g) **Følg alle opladningsinstruktioner, og oplad ikke batteripakken eller værktøjet uden for temperaturintervallet specificeret i instruktionerne.** Forkert opladning eller opladning ved temperaturer uden for det specificerede interval kan beskadige batteriet og øge risikoen for brand.

#### 6) Service

- a) **Lad dit el-værktøj blive servicert af en kvalificeret reparatør, der kun bruger identiske reservedele.** Dette sikrer, at el-værktøjet fortsat er sikkert at bruge.
- b) **Foretag aldrig service på beskadigede batteripakker.** Service af batteripakker bør kun udføres af producenten eller autoriserede serviceudbydere.

#### SIKKERHEDSADVARSLER FOR TELESKOPISK KÆDESAV

- a) **Hold alle legemsdele væk fra savkæden.** Undlad at fjerne afskåret materiale eller at holde materialet, der skal skæres, mens savkæden bevæger sig. Sørg for, at værktøjet er slukket, og at batteriet er taget ud, når du fjerner fastklemt materiale. Et øjeblikvis uopmærksomhed under brug af kædesaven kan resultere i alvorlig personskade.

- b) **Hold kun fast rundt om el-værktøjet på de isolerede gribeflader, da savkæden muligvis kan komme i kontakt med skjulte ledninger.** Hvis savkæder kommer i kontakt med en strømførende ledning, kan det forårsage at produktets eksponerede metaldele bliver strømførende og udsætter brugeren for elektrisk stød.
- c) **Hold godt fast med begge hænder, og anbring din krop og arm på en sådan måde, at du kan modstå tilbageslagskræfter.** Tilbageslagskræfter kan kontrolleres af operatøren, hvis der træffes passende foranstaltninger. Slip ikke den teleskopiske kædesav.
- d) **Vær opmærksom på tilbageslag, når du saver en gren.** Når grenen brydes, kan den blive bøjet ned og sætte sig fast i savkæden.
- e) **Bær kædesaven slukket, altid med begge hænder og med savkædedækslet påmonteret.** En korrekt håndtering af kædesaven reducerer sandsynligheden for utilsigtet kontakt med savkæden i bevægelse.
- f) **Brug ikke den teleskopiske kædesav i et træ.** Hvis den teleskopiske kædesav bruges, mens du kravler op i eller befinder dig i et træ, kan det resultere i personskaade.
- g) **Hav altid et godt fodfæste, og brug kun kædesaven, når du står på en fast, sikker og plan overflade.** Glatte eller ustabile overflader, såsom stiger, kan forårsage, at du mister balancen eller kontrollen over kædesaven.
- h) **Følg instruktionerne for smøring, kædespænding og udskiftning af tilbehør.** Hvis en kæde er forkeert spændt eller smurt, kan den enten knække eller øge risikoen for tilbageslag.
- i) **Hold håndtag tørre, rene og fri for olie og fedt.** Fedtede, olierede håndtag er glatte og forårsager tab af kontrol.
- j) **Skær kun træ.** Brug ikke den teleskopiske kædesav til formål, som den ikke er beregnet til. Eksempel: Brug ikke kædesaven til at skære i plastik, murværk eller andre byggematerialer, der ikke er af træ. Brug af den teleskopiske kædesav til andet arbejde end det tilsigtede kan resultere i en farlig situation.
- k) **Årsager til tilbageslag og operatørens forhindring af dette:**
- Der kan opstå tilbageslag, når sværdets spids berører en genstand, eller når træet lukker sig omkring savkæden og klemmer den i snittet.
  - Kontakt med spidsen kan i nogle tilfælde forårsage en pludselig omvendt reaktion, der slår sværdet op og tilbage mod operatøren.
  - Hvis savkæden klemmes langs toppen af sværdet, kan det skubbe sværdet hurtigt tilbage mod operatøren.
- Hver af disse reaktioner kan forårsage, at du mister kontrollen over den teleskopiske kædesav, hvilket kan resultere i alvorlig personskaade. Som kædesavbruger bør du tage flere skridt, for at dit savningsarbejde bliver fri for ulykker eller personskaader.
- Tilbageslag er resultatet af en forkeert eller fejlagtig brug af produktet. Tilbageslag kan undgås ved at træffe passende foranstaltninger, som angivet nedenfor.**
- l) **Brug kun savkæder til udskiftning, der er specificeret af producenten.** Forkerte savkæder kan forårsage kædebrud eller tilbageslag.
- m) **Hvis sværdet er beskadiget og skal udskiftes, bedes du kontakte din forhandler.**
- n) **For at forhindre utilsigtet drift af savkæden er denne kædesav udstyret med en kontakt med mekanisk spærre.** For at betjene kædesaven skal der trykkes på låseknappen, før savkæden går i gang
- Brug ikke produktet uden at trykke på låseknappen.
  - Betjen ikke dette værktøj med kun én hånd. Hold produktet godt fast med begge hænder. Brug den ene hånd til at holde godt fast i produktet og den anden til at betjene tænd/sluk-knappen.
- o) **Lad aldrig børn, personer med fysiske, sensoriske eller mentale begrænsninger eller mangel på erfaring og/eller viden og/eller personer, der ikke er bekendt med disse instruktioner, bruge maskinen.** Lokale forskrifter kan begrænse operatørens alder.
- p) **Børn bør overvåges for at sikre, at de ikke leger med apparatet.**
- q) **Når den teleskopiske kædesav ikke er i brug, skal den opbevares uden for børns rækkevidde.**
- r) **Inden brug skal du kontrollere arbejdsområdet og fjerne alle eventuelle farer.**
- s) **Vent altid, til maskinen er standset helt, og tag batteriet ud, før du sætter maskinen ned.** Savkæden kan sætte sig fast eller slå tilbage og føre til tab af kontrol over maskinen.
- t) **Sluk for kædesaven, når du skifter arbejdsstilling.**

- u) **En gren, der bliver savet af, kan føre til personskade, idet den kan falde ned på dig eller springe tilbage fra jorden.** Skær længere grene i sektioner.
- v) **Reducer kraften, før grenen er skåret helt af.** Du kan komme til skade, når du mister balancen og kontrollen over kædesaven.
- w) **Hæng ikke produktet i et træ, når du ikke bruger det.** Læg altid værktøjet et sikkert sted på jorden uden at tage batteriet ud.

#### YDERLIGERE SIKKERHEDSADVARSLER

- a) **Dette værktøj er ikke beregnet til at blive anvendt af personer (herunder børn) med reducerede fysiske, sansemæssige eller mentale evner samt med manglende erfaring eller viden,** med mindre de bliver overvåget eller instrueret i brugen af apparatet af en person, der er ansvarlig for deres sikkerhed. Børn bør overvåges for at sikre, at de ikke leger med apparatet.
- b) **Når du arbejder med maskinen, skal du altid holde den fast med begge hænder og sørge for et sikkert fodfæste.** El-værktøjet styres mere sikkert med begge hænder.
- c) **Sørg altid for, at alle håndtag og skærme er monteret, når du bruger maskinen.** Forsøg aldrig at bruge en ufuldstændig maskine eller en maskine, der har fået en uautoriseret ændring.
- d) **Smør altid savkæden med beskyttelsesspray før brug.**
- e) **Vent altid, til maskinen er standset helt, inden du lægger den ned.**
- f) **Andre personer og dyr skal holdes på en afstand af 3 meter eller mere, når maskinen bruges.** Operatøren er ansvarlig for tredjepersoner i arbejdsområdet.
- g) **Grib aldrig fat i savkæden.**
- h) **Børn eller personer, der ikke er bekendt med disse instruktioner, må ikke bruge savkæden.** Lokale forskrifter kan begrænse operatørens alder.
- i) **Brugeren er ansvarlig for ulykker eller farer, der opstår for andre mennesker eller deres ejendom.**
- j) **Brug ikke kædesaven, når du er barfodet eller har åbne sandaler på. Bær altid kraftigt fodtøj og lange bukser.** Det anbefales at bruge robuste handsker, skridsikert fodtøj og sikkerhedsbriller. Bær ikke løst tøj eller smykker, som kan blive trukket ind i delene, der bevæger sig.

- k) **Undersøg grundigt området, hvor kædesaven skal bruges, og fjern alle ledninger og andre fremmedlegemer.**
- l) **Se savkæden, sværdet og boltene efter for slid og skader inden brug.** Brug ikke en beskadiget eller meget slidt kædesav.
- m) **Du skal vide, hvordan du stopper kædesaven hurtigt i en nødsituation.**
- n) **Brug kun kædesaven i dagslys eller i god kunstig belysning.**
- o) **Brug aldrig kædesaven med defekte skærme, eller uden at skærmen er på plads.**
- p) **Hold aldrig kædesaven i skærmen.**
- q) **Hold altid et korrekt fodfæste og balancen, når du bruger den teleskopiske kædesav.**
- r) **Vær altid opmærksom på dine omgivelser, og vær opmærksom på mulige farer, som du måske ikke hører, mens du bruger kædesaven.**
- s) **Hold alle møtrikker, bolte og skruer stramme for at sikre, at kædesaven altid er i en sikker driftstilstand.**
- t) **Den teleskopiske kædesav skal opbevares på et tørt, højt eller aflåst sted uden for børns rækkevidde.**
- u) **Udskift slidte eller beskadigede dele af hensyn til sikkerhed.**
- v) **Forsøg ikke at reparere maskinen, medmindre du er kvalificeret til det.**
- w) **Hold produktet sikkert med begge hænder.**

#### SIKKERHEDSADVARSLER FOR BATTERI

- a) **Åbn ikke batteriet.** Fare for kortslutning.
- b) **Beskyt batteriet mod varme, f.eks. mod kontinuerligt intenst sollys, brand, vand og fugt.** Fare for eksplosion.
- c) **I tilfælde af skade og forkert brug af batteriet, kan der blive udsendt dampe. Udluft området, og søg lægehjælp i tilfælde af klager.** Dampene kan irritere åndedrætssystemet.
- d) **Brug kun batteriet sammen med dit Vonroc-produkt.** Denne foranstaltning alene beskytter batteriet mod farlig overbelastning.
- e) **Batteriet kan blive beskadiget af spidse genstande såsom søm eller skruetrækkere eller af eksternt påført kraft.** Der kan opstå en intern kortslutning, og batteriet kan brænde, ryge, eksplodere eller bliver overophedet.

#### SIKKERHEDSADVARSLER FOR OPLADER

##### Tilsigtet brug

Oplad kun genopladelige batteripakker af type CD801AA og CD803AA med opladeren. Andre

typer batterier kan sprænge og dermed forårsage personskader og beskadigelser.

- Dette apparat er ikke beregnet til at blive anvendt af personer (herunder børn) med reducerede fysiske, sansemæssige eller mentale evner samt med manglende erfaring eller viden, med mindre de er under opsyn eller bliver instrueret.**
- Børn skal være under opsyn, så de ikke leger med apparatet.**
- Oplad ikke batterier, der ikke er genopladelige!**
- Under opladningen skal batterierne befinde sig i et område med god udluftning!**

#### El-sikkerhed



Kontroller altid, at strømforsyningens spænding stemmer overens med spændingen på ydelseskilten.

- Brug ikke maskinen, hvis netledningen eller netstikket er beskadiget.
- Brug kun forlængerledninger, der er velegnede til maskinens effekt med en minimumstykkelse på 1,5 mm<sup>2</sup>. Hvis du bruger en forlængerkabelrulle, skal du altid rulle kablet helt ud.

## 2. MASKINOPLYSNINGER

#### Tilsigtet brug

Maskinen er beregnet til husholdningsbrug, til beskæring af træer og buske i forhøjet højde, mens brugeren står på jorden. Maskinen er ikke beregnet til at blive brugt på en stige eller trin. Maskinen er ikke beregnet til at skære uorganisk materiale. Dette værktøj er ikke beregnet til kommerciel eller industriel brug.

#### TEKNISKE SPECIFIKATIONER



Denne vejledning er udarbejdet til forskellige sæt/varenumre. Kontroller det tilsvarende varenummer i nedenstående tabel med specifikationer for den korrekte sammensætning og indholdet af dit sæt.

Model nr.	Batterier medfølger	Opladere medfølger
<b>CS504DC</b>	-	-
<b>S_CS504DC</b>	CD801AA	CD802AA
<b>S2_CS504DC</b>	2 x CD801AA	CD802AA
<b>S3_CS504DC</b>	CD803AA	CD802AA

Maskinoplysninger	
Spænding	20 V
Kædehastighed	5 m/s
Kædesværdets længde	200 mm
Kædens længde	44T
Kædens tandafstand	1/4"
Kædeledtykkelse	0,043"
Længdejustering	200-260 cm
Lydtrykniveau (LpA)	78,2 dB, k=3 dB
Lydtrykniveau (LWA)	88 dB(A), K=3 dB(A)
Garanteret LWA	91 dB
Vibration	håndtag foran a <sub>n</sub> =2,74 m/s <sup>2</sup> håndtag bagpå a <sub>n</sub> =2,69 m/s <sup>2</sup> K=1,5 m/s <sup>2</sup>
Vægt	2,3 kg

<b>Model nr.</b>	<b>CD801AA</b>
Batteritype	Lithium-Ion
Spænding	20 V
Kapacitet	2,0 Ah
Anbefalet oplader	CD802AA
Vægt	0,3 kg

<b>Model nr.</b>	<b>CD802AA</b>
Opladerinput	220-240 V, 50 Hz 0,4 A
Opladeroutput	21 V  2,5 A
Opladningstid 2 Ah batteri	60 minutter
Opladningstid 4 Ah batteri	120 minutter
Anbefalede batterier	CD801AA, CD803AA
Vægt	0,36 kg

<b>Model nr.</b>	<b>CD803AA</b>
Batteritype	Lithium-Ion
Spænding	20 V
Kapacitet	4,0 Ah
Anbefalet oplader	CD802AA
Vægt	0,65 kg

Brug kun de følgende batterier af VONROC VPOWER 20V-batteriplatformen. Brug af andre batterier kan forårsage personskade eller beskadigelse af værktøjet.

CD801AA 20 V, 2 Ah Lithium-Ion  
 CD803AA 20 V, 4 Ah Lithium-Ion

Den følgende oplader kan bruges til at oplade disse batterier.

CD802AA Hurtig oplader

Batterierne af VONROC VPOWER 20V-batteriplatformen kan udskiftes med alle værktøjer af VONROC VPOWER 20V-batteriplatformen.

### BESKRIVELSE

Tallene i teksten henviser til diagrammerne på side 2-5.

1. Kædesavhoved
2. Hovedinstillingsknop
3. Hovedlåsering
4. Savkæde
5. Kædesavs værd
6. Oliebeholderhætte
7. Håndtagsslåsegreb
8. Strømkontakt
9. Teleskophåndtag
10. Strømforbindelse
11. Skulderrem
12. Karabinhage
13. Kædedæksel
14. Batteri
15. Batterioplader
16. Knap til frigivelse af batteri
17. Knap til LED-indikatorer for batteri
18. LED-indikatorer for batteri
19. LED-indikatorer for oplader

## 3. MONTERING



*Før enhver form for arbejde (vedligeholdelse, værktøjsskift, montering) på elværktøjet skal du tage batteriet ud af elværktøjet.*



*Batteriet skal oplades inden første brug.*

### Sådan sættes batteriet ind i maskinen (fig. B-1)

Sørg for, at batteriets yderside er ren og tør, inden du forbinder det til opladeren eller maskinen.

1. Sæt batteriet (14) ind i maskinens base, som vist på fig. B-1.
2. Skub batteriet længere frem, indtil det klikker på plads.

### Sådan tages batteriet ud af maskinen (fig. B-1)

1. Tryk på knappen til frigivelse af batteri (16).
2. Træk batteriet ud af maskinen, som vist på fig. B-1.

### Kontrol af batteriets opladestatus (fig. B-2)

- Tryk kortvarigt på knappen (17) på batteriet for at kontrollere batteriets opladningsstatus.
- Batteriet har 3 lamper, der angiver opladningsniveauet. Jo flere lamper, der lyser, des mere opladning er der tilbage i batteriet.
- Når lamperne ikke lyser, betyder det, at batteriet er tomt og skal oplades med det samme.

### Opladning af batteriet med opladeren (fig. B-2)

1. Tag batteriet (14) ud af maskinen.
2. Vend batteriet (14) på hovedet, og skub det ind i opladeren (15), som vist på fig. B-2.
3. Skub batteriet, indtil det er helt inde i åbningen.
4. Sæt opladerstikket i en stikkontakt, og vent et øjeblik. LED-indikatorerne på opladeren (19) lyser og viser opladerens status.

### Opladeren har 2 LED-indikatorer (19), som indikerer opladningsprocessens status:

Red LED-status	Grøn LED-status	Opladerstatus
Slukket	Slukket	Ingen strøm
Slukket	Tændt	Standby-tilstand: - Intet batteri til stede, eller: - Batteri til stede, men opladning er afsluttet
Tændt	Slukket	Batteriopladning i gang

- Det kan tage op til 60 minutter at lade 2 Ah batteriet helt op.
- Det kan tage op til 120 minutter at lade 4 Ah batteriet helt op.

Når batteriet er ladet helt op, skal du tage opladerens stik ud af kontakten og fjerne batteriet fra opladeren.



*Når maskinen ikke bruges gennem en længere periode, er det bedst at opbevare batteriet i opladet tilstand.*

**Samling af værktøj (fig. C, D)**

- Sæt skulderremmen (11) fast til løkken på håndtaget (9) ved hjælp af karabinhagen (12).
- Frigiv hovedlåseringen (3) ved at dreje den mod uret. Fjern ikke ringen helt fra hovedet.
- Sæt kædesavhovedet (1) fast på teleskophåndtaget (9) ved at indsætte strømforbindelsen (10) i hovedet.
- Hvis forbindelsen (10) ikke er sat korrekt i, er der muligvis ingen elektrisk forbindelse, og værktøjet vil ikke fungere. Sørg for, at strømforbindelsen er sat helt ind i kædesavens hoved. Skruen (20) på håndtaget skal være dækket af kædesavhovedet (1) og låseringen (3).
- Fastgør kædesavhovedet (1) ved at dreje låseringen (3) med uret



*Spænd aldrig bæltet diagonalt over skulderen og brystet. Placer det i stedet på en af skuldrene. På denne måde kan du hurtigt fjerne værktøjet fra din krop i tilfælde af fare.*

**Justering af teleskophøjden (fig. E-1, E-2)**

- Lås grebet (7) op for at frigive teleskophåndtaget (9).
- Træk teleskophåndtaget (9) ud eller tilbage til den ønskede længde.
- Fastgør teleskophåndtaget ved at låse grebet (7).

**Justering af det pivoterende kædesavhoved (fig. F-1, F-2)**

- Tryk på knappen (2) på siden af kædesavhovedet (1).
- Juster hovedet til den ønskede position.
- Slip knappen (2), og sørg for, at hovedet er låst på plads.

**4. DRIFT****Før brug (fig. G)**

Fjern kædedækslet (13) og kontrollér oliestanden i beholderen (6). Brug ikke saven med en tom olieholder. Brug kun biologisk nedbrydelig kædesavsolie. Kontrollér, om kæden (4) er korrekt spændt. Kæden er korrekt spændt, når den kan hæves ca. 2-3 mm med hånden i midten af kædens sværd (5).

**Tænd og sluk**

Hold altid den teleskopiske kædesav med begge hænder. Hold den ene hånd på teleskophånd-

taget (9) og den anden hånd på det bagerste håndtag nær strømkontakten. Tryk og hold strømkontakten (8) nede for at bruge maskinen. Når strømkontakten slippes, stopper maskinen automatisk.

**Under brug**

Bring kæden op i hastighed, før den kommer i kontakt med træet. Tving ikke kædesaven under savning. Hold maskinen ved en konstant hastighed og lad kæden gøre arbejdet. Kontrollér jævnligt oliestanden i beholderen, og fyld beholderen op, før den løber helt tør.

Når du saver store/lange grene af, anbefales det at save dem af i dele.

**Efter brug**

Tør alt snavs og alle rester af kæden (4) med en børste eller klud. Placer kædedækslet (13), og fjern batteriet (14), før maskinen stilles til opbevaring. For at forhindre olielækage under opbevaring bør du dræne eventuelt resterende olie fra beholderen (6) i en anden passende beholder.

**5. VEDLIGEHOLDELSE**

*Før rengøring og vedligeholdelse skal du altid slukke for maskinen og fjerne batteripakken fra maskinen.*

Rengør maskinbeklædningerne regelmæssigt med en blød klud, helst efter hver anvendelse. Sørg for, at der ikke er støv eller snavs i ventilationsåbningerne. Fjern snavs, der sidder meget godt fast, med en blød klud, der er fugtet i sæbevand. Brug ikke opløsningsmidler, som f.eks. benzin, sprit, ammoniak osv. Kemikalier som disse beskadiger maskinens syntetiske komponenter.

**Justering af savkædens spænding (fig. H)**

Normalt slid vil få kæden til at strække sig langsomt ud med tiden. Kædesaven er udstyret med en spændemekanisme for at kompensere for denne udstrækning. Drej kædespændingsbolten (21) på forsiden af maskinen for at justere kædespændingen. Kæden (4) er korrekt spændt, når den kan hæves ca. 2-3 mm med hånden i midten af kædens sværd (5). Når spændemekanismen ikke længere kan kompensere fuldt ud for udstrækningen, er kæden slidt og skal udskiftes.

**Udskiftning af savkæden (fig. H)**

1. Løsn skruen (22) og fjern dækslet (23).
2. Fjern kæden (4) og kædesavsværdet (5). Bortskaf den gamle kæde.
3. Placer den nye kæde rundt om kædesværdet. Sørg for, at størrelsen på den nye kæde er korrekt, og observer kædens korrekte driftsretning.
4. Sæt kæden over drivhjulet, og sæt kædesværdet på plads igen.
5. Sørg for, at alle dele er placeret korrekt, og genmonter dækslet (23) og stram skruen (22).
6. Kontroller kædespændingen og juster om nødvendigt.

**Opbevaring**

Den teleskopiske kædesav bør opbevares på et tørt og sikkert sted, helt uden for børns rækkevidde. Placer ikke andre genstande oven på den. Bemærk, at der er en lille udluftningskanal i oliebeholderens hætte (6). Maskinen skal opbevares i vandret position med beholderhætten øverst for at forhindre olielækage gennem kanalen i hætten. Hvis maskinen skal opbevares i en anden position, bør olien som alternativ drænes fra beholderen til en anden passende beholder for at forhindre lækage under opbevaring.

**MILJØ**

*Defekte og/eller bortskaffede elektriske og elektroniske apparater skal afleveres på en passende genbrugsstation.*

**Kun for lande i EU**

Maskinværktøj må ikke bortskaffes sammen med husholdningsaffald. Ifølge EU-direktiv 2012/19/EF om affald af elektrisk og elektronisk udstyr og dets gennemførelse i den nationale lovgivning skal maskinværktøjer, der ikke længere anvendes, afleveres separat og bortskaffes på en miljøvenlig måde.

**GARANTI**

VONROC-produkter er udviklet til de højeste kvalitetsstandarder og er garanteret fri for defekter i både materialer og udførelse i den periode, der er retsligt angivet fra datoen for det originale køb. Hvis produktet skulle udvikle fejl i denne periode på grund af defekt materiale og/eller udførelse, bedes du kontakte VONROC direkte.

Følgende omstændigheder er udelukket fra denne garanti:

- Uautoriserede servicecentre har foretaget eller gjort forsøg på at foretage reparationer og/eller ændringer på maskinen;
- Normal slitage;
- Værktøjet er blevet misbrugt, brugt forkert eller ikke passende vedligeholdt;
- Der er anvendt ikke-originale reservedele.

Dette udgør den eneste garanti, virksomheden har givet, enten udtrykt eller underforstået. Der er ingen andre garantier, udtrykt eller underforstået, som strækker sig ud over denne, herunder de underforståede garantier for salgbarhed og egnethed til et bestemt formål. Under ingen omstændigheder skal VONROC holdes ansvarlig for tilfældige skader eller følgeskader. Forhandlerens retsmidler skal være begrænset til reparation eller udskiftning af enheder eller dele, der ikke overholder kravene.

**Produktet og brugervejledningen er genstand for ændringer. Specifikationer kan ændres uden yderligere varsel.**

## 1. INSTRUKCJE DOTYCZĄCE BEZPIECZENSTWA

Przeczytać dołączone ostrzeżenia dotyczące bezpieczeństwa, dodatkowe ostrzeżenia dotyczące bezpieczeństwa oraz instrukcję. Nieprzestrzeganie ostrzeżeń dotyczących bezpieczeństwa oraz instrukcji może prowadzić do porażenia prądem, pożaru i/lub poważnych obrażeń ciała. Zachować ostrzeżenia dotyczące bezpieczeństwa oraz instrukcje na przyszłość.

Następujące symbole są umieszczone w instrukcji obsługi lub na produkcie:



*Przeczytać instrukcję obsługi.*



*Oznacza ryzyko obrażeń ciała, śmierci lub uszkodzenia narzędzia w razie nieprzestrzegania poleceń z instrukcji.*



*Ryzyko porażenia prądem.*



*Maks. temperatura 45°C.*



*Nie wrzucać akumulatora do ognia.*



*Nie wrzucać akumulatora do wody.*



*Nosić kask.*



*Nosić okulary ochronne.*



*Nie wystawiać urządzenia na działanie deszczu.*



*Trzymać dłonie z dala od łańcucha.*



*Uważać na przedmioty wyrzucone w powietrze. Osoby postronne nie powinny znajdować się w pobliżu.*



*Trzymać produkt z dala od linii wysokiego napięcia!*



*Minimalna odległość to 10 metrów.*



*Urządzenie klasy II. Podwójna izolacja - nie trzeba stosować wtyczek z uziemieniem.*



*Miniaturowy bezpiecznik zwłocznny.*



*Zbiórka selektywna akumulatora litowo-jonowego.*



*Nie wyrzucać produktu do nieodpowiednich pojemników.*



*Produkt spełnia wymogi odpowiednich norm bezpieczeństwa podanych w dyrektywach UE.*

## OGÓLNE OSTRZEŻENIA DOTYCZĄCE BEZPIECZENSTWA ELEKTRONARZĘDZI



**OSTRZEŻENIE! Przeczytać wszystkie ostrzeżenia dotyczące bezpieczeństwa i wszystkie instrukcje.** Nieprzestrzeganie ostrzeżeń oraz instrukcji może prowadzić do porażenia prądem, pożaru i/lub poważnych obrażeń ciała.

### Zachować ostrzeżenia oraz instrukcje na przyszłość.

Określenie „elektronarzędzie” w ostrzeżeniach odnosi się do elektronarzędzia zasilanego z sieci (przewodowego) lub elektronarzędzia zasilanego z akumulatora (beprzewodowego).

#### 1) Bezpieczeństwo miejsca pracy

- Utrzymywać miejsce pracy w czystości i dobrze oświetlone.** Bałagan i ciemności w miejscu pracy prowadzą do wypadków.
- Nie używać elektronarzędzi w atmosferze wybuchowej, np. w obecności łatwopalnych cieczy, gazów lub pyłu.** Elektronarzędzia wytwarzają iskry, które mogą spowodować zapłon pyłu lub oparów.
- Podczas korzystania z elektronarzędzia nie pozwalać zbliżać się dzieciom i osobom postronnym.** Odwrócenie uwagi może spowodować utratę panowania nad narzędziem.

#### 2) Bezpieczeństwo elektryczne

- Wtyczka elektronarzędzia musi pasować do gniazdka. Nigdy w żaden sposób nie modyfikować wtyczki. Nie używać żadnych przejściówek do wtyczek w połączeniu z uziemionymi elektronarzędziami.** Niemodyfikowane wtyczki i pasujące do nich gniazdka zmniejszają ryzyko porażenia prądem.
- Unikać dotykania uziemionych powierzchni, jak rury, grzejniki, kuchenki i lodówki.** Jeśli ciało jest uziemione, ryzyko porażenia prądem jest zwiększone.



- c) **Nie narażać elektronarzędzi na deszcz, wodę lub wilgoć.** Przedostanie się wody do wnętrza elektronarzędzia zwiększy ryzyko porażenia prądem.
- d) **Ostrożnie obchodzić się z kablem. Nigdy nie używać kabla do przenoszenia, ciągnięcia lub odłączania elektronarzędzia od gniazdka. Trzymać kabel z dala od gorąca, oleju, ostrych krawędzi i ruchomych części.** Uszkodzone lub splątane kable zwiększają ryzyko porażenia prądem.
- e) **Podczas użytkowania elektronarzędzia na wolnym powietrzu używać przedłużacza przeznaczonego do użytku na wolnym powietrzu.** Używanie przedłużacza przeznaczonego do użytku na wolnym powietrzu zmniejsza ryzyko porażenia prądem.
- f) **Jeśli obsługa elektronarzędzia w wilgotnym miejscu jest nieunikniona, użyć zasilania wyposażonego w wyłącznik różnicowoprądowy.** Użycie wyłącznika różnicowoprądowego zmniejsza ryzyko porażenia prądem.
- 3) Bezpieczeństwo osobiste**
- a) **Zachować czujność, uważać na to, co się robi, a także stosować zdrowy rozsądek podczas korzystania z elektronarzędzia. Nie używać narzędzia, gdy jest się zmęczonym lub pod wpływem leków, alkoholu albo środków odurzających.** Chwila nieuwagi podczas obsługi elektronarzędzia może prowadzić do poważnych obrażeń ciała.
- b) **Stosować środki ochrony osobistej. Zawsze nosić okulary ochronne.** Wyposażenie ochronne, jak maska przeciwpyłowa, antypoślizgowe bezpieczne obuwie, kask lub ochronniki słuchu, używane w odpowiednich warunkach ogranicza występowanie obrażeń ciała.
- c) **Unikać niezamierzonego uruchomienia. Dopilnować, aby włącznik znajdował się w położeniu wyłączonym przed podłączeniem elektronarzędzia do źródła zasilania i/lub akumulatora, jego podniesieniem lub przeniesieniem.** Przeniesienie elektronarzędzi z palcem na włączniku lub podłączenie do zasilania elektronarzędzi z włącznikiem w położeniu włączenia jest bardzo niebezpieczne i może powodować wypadki.
- d) **Usunąć wszelkie klucze lub inne narzędzia do regulacji przed włączeniem elektronarzędzia.** Klucz lub inne narzędzie pozostawione podłączone do obracającej się części narzędzia może prowadzić do obrażeń ciała.
- e) **Nie sięgać za daleko. Zawsze utrzymywać właściwe podparcie dla stóp i równowagę.** Pozwala to na lepsze panowanie nad elektronarzędziem w nieoczekiwanych sytuacjach.
- f) **Nosić odpowiednią odzież. Nie nosić luźnych ubrań ani biżuterii. Nie zbliżać włosów, odzieży i rękawic do ruchomych części.** Luźna odzież, biżuteria lub długie włosy mogą zostać pochwycone przez ruchome części.
- g) **Jeśli urządzenie jest wyposażone w złącze do podłączania do urządzeń do gromadzenia i odsysania pyłu, koniecznie je podłączyć i używać ich prawidłowo.** Gromadzenie pyłu pozwala na ograniczanie zagrożeń związanych z pyłem.
- h) **Nie zezwalać na to, aby rutyna związana z częstym korzystaniem z narzędzi powodowała nadmierną pewność siebie i ignorowanie zasad bezpiecznego korzystania z narzędzi.** Nieodpowiedzialne działanie może spowodować poważne obrażenia ciała w ułamku sekundy.
- 4) Użytkowanie i pielęgnacja elektronarzędzia**
- a) **Nie przeciążać elektronarzędzia. Używać narzędzia przystosowanego do określonego zastosowania.** Właściwe elektronarzędzie wykoną pracę lepiej i bezpieczniej z szybkością, do jakiej jest przeznaczone.
- b) **Nie używać elektronarzędzia, jeśli jego włącznik nie pozwala na jego włączanie i wyłączanie.** Elektronarzędzie, którego nie można włączać i wyłączać włącznikiem jest niebezpieczne i musi zostać naprawione.
- c) **Odłączyć wtyczkę od źródła zasilania i/lub odłączyć akumulator od elektronarzędzia przed rozpoczęciem przeprowadzania jakichkolwiek regulacji, wymianą akcesoriów lub rozpoczęciem przechowywania elektronarzędzia.** Takie środki zapobiegawcze ograniczają ryzyko przypadkowego uruchomienia elektronarzędzia.
- d) **Przechowywać nieużywane elektronarzędzia w miejscu niedostępnym dla dzieci i nie pozwalać osobom niezaznajomionym z elektronarzędziem lub tą instrukcją na obsługę elektronarzędzia.** Elektronarzędzia są niebezpieczne w rękach nieprzeszkolonych użytkowników.
- e) **Prawidłowo konserwować elektronarzędzia. Sprawdzać elektronarzędzie pod kątem niedopasowania lub utykania części ruchomych, pęknięcia części lub innych okoliczności, które mogą negatywnie wpływać na jego działanie. W razie uszkodzenia oddać elektronarzędzie**

- do naprawy przed ponownym użyciem.** Wiele wypadków jest spowodowanych słabo konserwowanymi elektronarzędziami.
- f) **Utrzymywać narzędzia tnące naostrzone i czyste.** Właściwie konserwowane narzędzia tnące z ostrymi krawędziami tnącymi są mniej narażone na utykanie i łatwiej nad nimi zapanować.
- g) **Używać elektronarzędzia, akcesoriów i końcówek narzędziowych itp. zgodnie z tą instrukcją, uwzględniając warunki pracy i zadanie do wykonania.** Wykorzystanie elektronarzędzia do zadań niezgodnych z jego przeznaczeniem może prowadzić do niebezpieczeństwa.
- h) **Uchwyty należy utrzymywać w stanie suchym, czystym i niezabrudzonym olejem lub smarem.** Śliskie uchwyty i powierzchnie do chwytania nie pozwalają na bezpieczne obchodzenie się z narzędziem i panowanie nad nim w nieoczekiwanych sytuacjach.
- 5) Użytkowanie i pielęgnacja akumulatora**
- a) **Ładować tylko ładowarką wyznaczoną przez producenta.** Ładowarka odpowiednia dla jednego rodzaju akumulatora może powodować ryzyko pożaru, jeśli zostanie użyta z innym rodzajem akumulatora.
- b) **Używać elektronarzędzia jedynie w połączeniu z wyznaczonymi akumulatorami.** Użycie innych akumulatorów może powodować ryzyko obrażeń ciała i pożaru.
- c) **Kiedy akumulator nie jest używany, należy trzymać go z dala od innych metalowych przedmiotów, takich jak spinacze, monety, klucze, gwoździe, śruby lub inne małe metalowe przedmioty, które mogą spowodować zwarcie styków akumulatora.** Zwarcie styków akumulatora może powodować poparzenia lub pożar.
- d) **W przypadku silnego uderzenia z akumulatora może wypłynąć płyn. Unikać styczości. W razie przypadkowej styczości niezwłocznie przepłukać miejsce styczości wodą. Jeśli dojdzie do styczości płynu z akumulatora z oczami, natychmiast uzyskać pomoc lekarską.** Płyn z akumulatora może powodować podrażnienia lub poparzenia.
- e) **Nie używać uszkodzonego ani zmodyfikowanego akumulatora lub narzędzia.** Uszkodzone lub zmodyfikowane akumulatory mogą działać w sposób nieoczekiwany, co może powodować pożar, wybuch lub ryzyko obrażeń ciała.
- f) **Nie wystawiać akumulatora ani narzędzia na działanie płomienia lub zbyt wysokiej temperatury.** Narażenie na działanie płomienia lub temperatury powyżej 130 °C może spowodować wybuch. UWAGA Temperaturę „130 °C” można zastąpić temperaturą „265 °F”.
- g) **Przestrzegać wszystkich instrukcji ładowania i nie ładować akumulatora ani narzędzia poza zakresem temperatury podanym w instrukcji.** Nieprawidłowe ładowanie lub ładowanie w temperaturze poza podanym zakresem może spowodować uszkodzenie akumulatora i zwiększyć ryzyko pożaru.
- 6) Serwis**
- a) **Zlecać serwisowanie elektronarzędzia wykwalifikowanemu technikowi stosującemu jedynie części zamienne identyczne z oryginalnymi.** Zapewni to zachowanie bezpieczeństwa elektronarzędzia.
- b) **Nigdy nie serwisować uszkodzonych akumulatorów.** Serwisowanie akumulatorów może przeprowadzać wyłącznie producent lub autoryzowany serwis.

## OSTRZEŻENIA DOTYCZĄCE TELESKOPEWJ PİLARKI ŁAŃCUCHOWEJ

- a) **Trzymać wszystkie części ciała z dala od łańcucha pilarki.** Nie usuwać odciętego materiału ani nie trzymać materiału do przecięcia, gdy łańcuch pilarki się porusza. Dopilnować, aby narzędzie było wyłączone i akumulator wyjęty na czas usuwania zablokowanych materiałów. Chwila nieuwagi podczas obsługi pilarki może prowadzić do poważnych obrażeń ciała.
- b) **Trzymać elektronarzędzie tylko za izolowane powierzchnie do chwytania, ponieważ łańcuch pilarki może zetknąć się z ukrytym okablowaniem.** Zetknięcie się łańcucha pilarki z przewodem pod napięciem może sprawić, że odsłonięte metalowe części produktu również będą pod napięciem i spowodować porażenie operatora prądem.
- c) **Utrzymywać silny chwyt oburącz i ustawiać ciało oraz ramię tak, aby móc stawić opór sile odrzutu.** Operator może kontrolować siły odrzutu, przestrzegając odpowiednich środków ostrożności. Nie puszcza teleskopowej pilarki łańcuchowej.
- d) **Podczas przycinania gałęzi uważać na możliwość odskoczenia narzędzia.** Obciążona gałąź może się ugiąć i zablokować łańcuch pilarki.

- e) **Przenosić pilarkę wyłączoną, zawsze oburącz i z zamontowaną osłoną łańcucha.** Prawidłowe posługiwanie się pilarką łańcuchową zmniejsza ryzyko przypadkowego kontaktu z ruchomym łańcuchem pilarki.
- f) **Nie pracować pilarką teleskopową znajdując się na drzewie.** Praca teleskopową pilarką łańcuchową podczas wchodzenia na drzewo lub znajdowania się na drzewie może doprowadzić do obrażeń ciała.
- g) **Zawsze zachowywać odpowiednie ustawienie stóp oraz pracować tylko jeśli podłoże jest stabilne, bezpieczne i poziome.** Śliskie lub niestabilne powierzchnie, takie jak drabiny, mogą spowodować utratę równowagi lub kontroli nad pilarką łańcuchową.
- h) **Należy postępować zgodnie z instrukcjami dotyczącymi smarowania, napinania łańcucha oraz zmiany akcesoriów.** Nieprawidłowo napięty lub nasmarowany łańcuch może się uszkodzić lub zwiększyć ryzyko odbicia pilarki.
- i) **Uchwyty pilarki muszą być suche, czyste i niezabrudzone olejem lub smarem.** Uchwyty zabrudzone smarem lub olejem są śliskie i mogą spowodować utratę kontroli nad pilarką.
- j) **Przecinać tylko drewno.** Nie używać teleskopowej pilarki łańcuchowej niezgodnie z przeznaczeniem. Na przykład: nie stosować pilarki do cięcia tworzyw sztucznych, kamieni lub niedrewnianych materiałów budowlanych. Wykorzystanie teleskopowej pilarki łańcuchowej do celów innych niż zamierzone może doprowadzić do niebezpiecznej sytuacji.
- k) **Przyczyny odrzutu narzędzia i zapobieganie odrzutu przez operatora:**
  - Odrzut może występować, gdy nosek lub końcówka prowadnicy dotknie jakiegoś przedmiotu lub w przypadku zamknięcia się drewna i ściśnięcia łańcucha pilarki w rzazie.
  - Zetknięcie się końcówki prowadnicy z jakimś przedmiotem w niektórych przypadkach może powodować nagłą reakcję, wyrzucając prowadnicę do góry i wstecz w stronę operatora.
  - Ściśnięcie łańcucha pilarki wzdłuż górnej powierzchni prowadnicy może szybko i gwałtownie odepchnąć prowadnicę wstecz w stronę operatora.

Każda z powyższych reakcji może spowodować utratę panowania na teleskopową pilarką łańcuchową, co może prowadzić do poważnych obrażeń ciała. Operator pilarki łańcuchowej musi podjąć pewne środki ostrożności, aby unikać wypadków i obrażeń ciała podczas pracy pilarką. **Odrzut jest spowodowany niewłaściwym użytkowaniem produktu. Odrzutu można uniknąć, podejmując odpowiednie środki ostrożności opisane poniżej.**
- l) **Używać wyłącznie zamiennych łańcuchów do pilarki wyznaczonych przez producenta.** Niewłaściwe łańcuchy pilarki mogą pękać lub powodować odrzut narzędzia.
- m) **Jeśli prowadnica jest uszkodzona i wymaga wymiany, skontaktować się ze sprzedawcą.**
- n) **Aby zapobiegać przypadkowemu włączeniu pilarki, jest ona wyposażona we włącznik z mechaniczną blokadą sprzężoną.** Uruchomienie pilarki wymaga uprzedniego wciśnięcia przycisku odblokowania.
  - Nie używać produktu bez wciskania przycisku odblokowania.
  - Nie obsługiwać narzędzia jedną ręką. Trzymać produkt pewnie i oburącz. Jedną ręką należy mocno trzymać produkt, a drugą obsługiwać włącznik.
- o) **Nigdy nie pozwalać na używanie maszyny dzieciom, osobom z ograniczeniami fizycznymi, czuciowymi lub umysłowymi albo nieposiadającym doświadczenia i/lub wiedzy oraz osobom niezaznajomionym z niniejszą instrukcją.** Przepisy krajowe mogą ograniczać wiek operatora.
- p) **Dzieci muszą pozostawać pod opieką, aby nie mogły bawić się maszyną.**
- q) **Kiedy teleskopowa pilarka łańcuchowa nie jest używana, przechowywać ją poza zasięgiem dzieci.**
- r) **Przed użyciem sprawdzić miejsce pracy i usunąć wszelkie możliwe zagrożenia.**
- s) **Przed odłożeniem maszyny zawsze poczekać na jej całkowite zatrzymanie i wyjmować akumulator.** Łańcuch może się zaklinować lub odskoczyć i spowodować utratę panowania nad maszyną.
- t) **Wyłączać pilarkę na czas zmiany pozycji roboczej.**
- u) **Przecięta gałąź lub przecięty konar może spowodować obrażenia ciała, spadając na operatora lub odbijając się od podłoża.** Przecinać długie gałęzie i konary etapami.
- v) **Zmniejszyć siłę nacisku przed odcięciem konaru.** Istnieje ryzyko obrażeń ciała w wyniku utraty równowagi i panowania nad pilarką.
- w) **Nie wieszać produktu na drzewie, gdy nie jest w użytku.** Zawsze odkładać narzędzie na podłoże w bezpiecznym miejscu bez wykrowania akumulatora.

## DODATKOWE OSTRZEŻENIA DOTYCZĄCE BEZPIECZEŃSTWA

- a) **To narzędzie nie jest przeznaczone do użytku przez osoby (w tym dzieci) o ograniczonych zdolnościach fizycznych, czuciowych lub umysłowych albo nieposiadające odpowiedniego doświadczenia i wiedzy**, chyba że zostały one odpowiednio poinstruowane co do korzystania z urządzenia i są pod nadzorem osoby odpowiedzialnej za ich bezpieczeństwo. Dzieci muszą pozostawać pod opieką, aby nie mogły bawić się maszyną.
- b) **Podczas pracy maszyną zawsze mocno trzymać ją obiema rękami i stać w stabilnej pozycji.** Tym elektronarzędziem pracuje się i kieruje bezpieczniej przy użyciu obu rąk.
- c) **Podczas korzystania z narzędzia dopilnować, aby wszystkie uchwyty i osłony były zamontowane.** Nigdy nie próbować używać niekompletnego narzędzia lub narzędzia zmodyfikowanego bez zezwolenia.
- d) **Przed użyciem zawsze smarować łańcuch środkiem ochronnym w sprayu.**
- e) **Przed odłożeniem maszyny zawsze poczekać na jej całkowite zatrzymanie.**
- f) **Inne osoby i zwierzęta muszą pozostawać w odległości co najmniej 3 metrów podczas użytkowania narzędzia.** Operator odpowiada za osoby postronne w miejscu pracy.
- g) **Nigdy nie chwytać łańcucha.**
- h) **Dzieciom i osobom niezaznajomionym z niniejszą instrukcją nie wolno obsługiwać pilarki łańcuchowej.** Przepisy krajowe mogą ograniczać wiek operatora.
- i) **Użytkownik jest odpowiedzialny za wypadki i zagrożenia dotyczące innych ludzi lub ich mienia.**
- j) **Nie używać pilarki łańcuchowej boso lub w otwartych sandałach, lecz zawsze nosić solidne obuwie i długie spodnie.** Zaleca się korzystanie z solidnych rękawic, antypoślizgowego obuwia i okularów ochronnych. Nie nosić luźnych ubrań ani biżuterii, gdyż mogą one zostać wciągnięte przez ruchome elementy narzędzia.
- k) **Dokładnie sprawdzić miejsce, w którym ma być użyta pilarka i usunąć wszystkie druty i inne ciała obce.**
- l) **Przed użyciem sprawdzić łańcuch pilarki, prowadnicę i śruby pod kątem zużycia lub uszkodzenia.** Nie używać uszkodzonego lub nadmiernie zużytego łańcucha.
- m) **Znać sposób szybkiego zatrzymania pilarki w sytuacji awaryjnej.**

- n) **Korzystać z pilarki wyłącznie w świetle dnia lub przy dobrym oświetleniu sztucznym.**
- o) **Nigdy nie używać pilarki z uszkodzonymi osłonami lub bez zamontowanej osłony.**
- p) **Nigdy nie trzymać pilarki za osłonę.**
- r) **Podczas pracy teleskopową pilarką łańcuchową zawsze utrzymywać właściwe podparcie dla stóp i równowagę.**
- r) **Zawsze zwracać uwagę na otoczenie i uważać na ewentualne zagrożenia, których można nie usłyszeć podczas pracy pilarką łańcuchową.**
- s) **Utrzymywać wszystkie nakrętki i śruby dokręcone, aby zagwarantować stałe bezpieczeństwo pracy pilarką łańcuchową.**
- t) **Teleskopową pilarkę łańcuchową przechowywać w suchym, wysokim lub zamkniętym miejscu niedostępnym dla dzieci.**
- u) **Ze względów bezpieczeństwa wymieniać zużyte lub uszkodzone części.**
- v) **Nie podejmować prób naprawy narzędzia, jeśli nie posiada się odpowiednich kwalifikacji.**
- w) **Trzymać produkt pewnie oburącz.**

## OSTRZEŻENIA DOTYCZĄCE AKUMULATORA

- a) **Nie otwierać akumulatora.** Ryzyko zwarcia.
- b) **Chronić akumulator przed gorącym, np. długotrwałym silnym nasłonecznieniem, ogniem, wodą i wilgocią.** Ryzyko wybuchu.
- c) **W razie uszkodzenia i błędnego użytkowania akumulatora, może dojść do emisji oparów. Przewietrzyć miejsce emisji i uzyskać pomoc lekarską w razie dolegliwości.** Opary mogą powodować podrażnienie układu oddechowego.
- d) **Używać akumulatora wyłącznie w połączeniu z produktem marki Vonroc.** Takie postępowanie chroni akumulator przed niebezpiecznym przeciążeniem.
- e) **Akumulator może zostać uszkodzony przez ostro zakończone przedmioty, jak gwoździe lub wkrętki, albo przez uderzenie z zewnątrz.** Może dojść do wewnętrznego zwarcia i akumulator może zacząć się palić, dymić, wybuchnąć lub przegrzać się.

## OSTRZEŻENIA DOTYCZĄCE ŁADOWARKI

### Przeznaczenie

Za pomocą ładowarki ładować wyłącznie akumulatory typu CD801AA i CD803AA. Akumulatory innego typu mogą pękać, powodując obrażenia ciała i uszkodzenia mienia.

- a) Urządzenie nie jest przeznaczone do użytku przez osoby (w tym dzieci) o ograniczonych zdolnościach fizycznych, czuciowych lub umysłowych albo nie posiadające doświadczenia i wiedzy, chyba że zostały one odpowiednio poinstruowane i są pod nadzorem.
- b) Dzieciom nie wolno pozwalać bawić się urządzeniem.
- c) Nie ładować zwykłych baterii!
- d) Podczas ładowania akumulatory muszą znajdować się w dobrze wentylowanym miejscu!

### Bezpieczeństwo elektryczne



Zawsze sprawdzać, czy napięcie źródła zasilania jest zgodne z napięciem podanym na tabliczce znamionowej.

- Nie używać urządzenia, jeśli jego kabel zasilający jest uszkodzony lub wtyczka kabla zasilającego jest uszkodzona.
- Używać wyłącznie przedłużaczy przystosowanych do pracy z parametrami zasilania urządzenia o minimalnej grubości 1,5 mm<sup>2</sup>. W przypadku korzystania z przedłużacza w zwoju, zawsze całkowicie rozwinąć zwój.

## 2. INFORMACJE O URZĄDZENIU

### Przeznaczenie

Narzędzie jest przeznaczone do użytku domowego, do przycinania drzew i krzewów na zwiększonej wysokości, z użytkownikiem stojącym na ziemi. Narzędzie nie jest przeznaczone do użytku na drabinie lub stopniach. Narzędzie nie jest przeznaczone do przecinania materiałów nieorganicznych. To narzędzie nie jest przeznaczone do użytku komercyjnego ani przemysłowego.

### DANE TECHNICZNE



Niniejsza instrukcja dotyczy różnych zestawów/numerów artykułów. Sprawdź odpowiedni numer artykułu w poniższej tabeli, aby uzyskać informacje na temat zawartości zestawu.

Nr modelu	Akumulatory dołączone	Ładowarki dołączone
CS504DC	-	-
S_CS504DC	CD801AA	CD802AA
S2_CS504DC	2 x CD801AA	CD802AA
S3_CS504DC	CD803AA	CD802AA

Informacje o urządzeniu	
Napięcie	20 V
Prędkość łańcucha	5 m/s
Długość prowadnicy łańcucha	200 mm
Długość łańcucha	44T
Rozstaw zębów	1/4"
Rozmiar łańcucha	0,043"
Regulacja długości	200 - 260 cm
Poziom ciśnienia akustycznego (LpA)	78,2 dB, k = 3 dB
Poziom ciśnienia akustycznego (LWA)	88 dB(A), K = 3 dB(A)
Gwarantowany poziom LWA	91 dB
Drgania	uchwyt przedni a <sub>h</sub> = 2,74 m/s <sup>2</sup> uchwyt tylny a <sub>h</sub> = 2,69 m/s <sup>2</sup> K=1,5 m/s <sup>2</sup>
Ciężar	2,3 kg

Nr modelu	CD801AA
Typ akumulatora	Litowo-jonowy
Napięcie	20 V
Pojemność	2,0 Ah
Zalecana ładowarka	CD802AA
Ciężar	0,3 kg

Nr modelu	CD802AA
Parametry wejściowe zasilania ładowarki	220-240 V, 50 Hz 0,4 A
Parametry wyjściowe zasilania ładowarki	21 V  2,5 A
Czas ładowania akumulatora 2 Ah	60 minut
Czas ładowania akumulatora 4 Ah	120 minut
Zalecane akumulatory	CD801AA, CD803AA
Ciężar	0,36 kg

Nr modelu	CD803AA
Typ akumulatora	Litowo-jonowy
Napięcie	20 V
Pojemność	4,0 Ah
Zalecana ładowarka	CD802AA
Ciężar	0,65 kg

Używać wyłącznie następujących akumulatorów z platformy akumulatorów VONROC VPOWER 20 V. Użycie innych akumulatorów może spowodować poważne obrażenia ciała lub uszkodzenie narzędzia.

CD801AA 20 V, 2 Ah Litowo-jonowy  
CD803AA 20V, 4 Ah Litowo-jonowy

Następującej ładowarki można używać do ładowania tych akumulatorów.

CD802AA Szybka ładowarka

Akumulatory należące do platformy VONROC VPOWER 20 V można stosować we wszystkich narzędziach z platformy VONROC VPOWER 20V.

### OPIS

Liczby w tekście odnoszą się do rysunków na stronach 2 - 5.

1. Głowica pilarki
2. Przycisk regulacji głowicy
3. Pierścień blokujący głowicę
4. Łańcuch pilarki
5. Prowadnica łańcucha
6. Korek zbiornika oleju
7. Dźwignia blokady uchwytu
8. Włącznik
9. Uchwyt teleskopowy
10. Złącze zasilania
11. Pasek na ramię
12. Karabińczyk
13. Ostrona łańcucha
14. Akumulator
15. Ładowarka
16. Przycisk zwalniania akumulatora
17. Przycisk diod LED akumulatora
18. Diody LED akumulatora
19. Diody LED ładowarki

## 3. MONTAŻ



*Przed jakąkolwiek pracą dotyczącą elektronarzędzia (konserwacją, zmianą oprzyrządowania, montażem), wyjąć akumulator z elektronarzędzia.*



*Akumulator należy naładować przed pierwszym użyciem.*

### Wkładanie akumulatora do narzędzia (rys. B-1)

Dopilnować, aby zewnętrzna powierzchnia akumulatora była czysta i sucha przed podłączeniem do ładowarki lub narzędzia.

1. Włożyć akumulator (14) w podstawę urządzenia, zgodnie z rys. B-1.
2. Wcisnąć akumulator dalej, aż zatrzaśnie się w poprawnym położeniu.

### Wymowanie akumulatora z urządzenia (rys. B-1)

1. Nacisnąć przycisk zwalniania akumulatora (16).
2. Wyjąć akumulator z urządzenia zgodnie z rys. B-1.

### Sprawdzanie stanu naładowania akumulatora (rys. B-2)

- Aby sprawdzić stan naładowania akumulatora, wcisnąć przycisk (17) na akumulatorze na chwilę.
- Akumulator ma 3 diody informujące o poziomie naładowania. Im więcej świeci dioda, tym wyższy poziom naładowania akumulatora.
- Jeśli diody nie świecą, oznacza to, że akumulator jest rozładowany i wymaga niezwłocznego naładowania.

### Ładowanie akumulatora ładowarką (rys. B-2)

1. Wyjąć akumulator (14) z urządzenia.
2. Ustawić akumulator (14) spodem do góry i wsunąć go na ładowarkę (15) zgodnie z rys. B-2.
3. Wcisnąć akumulator do oporu do gniazda.
4. Podłączyć ładowarkę do gniazda i poczekać chwilę. Diody LED na ładowarce (19) zaświecą się, informując o stanie ładowania.

### Ładowarka jest wyposażona w 2 diody LED (19), informujące o stanie procesu ładowania:

Stan czerwonej diody LED	Stan zielonej diody LED	Stan ładowarki
Wyłączona	Wyłączona	Brak zasilania
Wyłączona	Włączona	Tryb gotowości: - Brak akumulatora lub: - Akumulator włożony, ładowanie zostało zakończone
Włączona	Wyłączona	Ładowanie akumulatora w toku

- Całkowite naładowanie akumulatora 2 Ah może trwać do 60 minut.
- Całkowite naładowanie akumulatora 4 Ah może trwać do 120 minut.

Po całkowitym naładowaniu akumulatora wyjąć wtyczkę ładowarki z gniazdka i wyjąć akumulator z ładowarki.



*Kiedy urządzenie nie jest używane przez długi okres, najlepiej przechowywać akumulator w stanie naładowanym.*

#### Montaż narzędzia (rys. C, D)

- Przymocować pasek na ramię (11) do pętli na uchwycie (9) karabińczykiem (12).
- Zwolnić pierścień blokujący głowicę (3), obracając go przeciwnie do wskazówek zegara. Nie zdejmować pierścienia całkowicie z głowicy.
- Przymocować głowicę pilarki (1) do uchwytu teleskopowego (9), wkładając złącze zasilania (10) w głowicę.
- Jeśli złącze (10) nie zostanie włożone prawidłowo, połączenie elektryczne może nie zostać uzyskane i narzędzie nie będzie działać. Dopilnować, aby złącze zasilania zostało włożone do końca w głowicę pilarki. Śruba (20) na uchwycie powinna być zasłonięta przez głowicę pilarki (1) i pierścień blokujący (3).
- Zamocować głowicę pilarki (1), obracając pierścień blokujący (3) zgodnie ze wskazówkami zegara.



*Nigdy nie zapinać pasa w poprzek ramienia i klatki piersiowej, lecz umieszczać go na jednym z ramion. Dzięki temu będzie można szybko zdjąć narzędzie z ciała w razie zagrożenia.*

#### Regulacja długości uchwytu teleskopowego (rys. E-1, E-2)

- Odblokować dźwignię (7) w celu zwolnienia uchwytu teleskopowego (9).
- Wysunąć lub wsunąć uchwyt teleskopowy (9) na żądaną długość.
- Zamocować uchwyt teleskopowy, blokując dźwignię (7).

#### Regulacja obrotowej głowicy pilarki (rys. F-1, F-2)

- Wcisnąć przycisk (2) z boku głowicy pilarki (1).
- Przetawić głowicę w żądane położenie.
- Zwolnić przycisk (2) i dopilnować, aby głowica była unieruchomiona.

## 4. OBSŁUGA

#### Przed użyciem (rys. G)

Zdjąć osłonę łańcucha (13) i sprawdzić poziom oleju w zbiorniku (6). Nie używać pilarki z pustym zbiornikiem oleju. Używać tylko biodegradowalnego oleju do łańcuchów. Sprawdzić, czy łańcuch (4) jest prawidłowo napięty. Łańcuch jest prawidłowo napięty, gdy można go unieść na około 2-3 mm ręką pośrodku prowadnicy (5).

#### Włączanie i wyłączanie

Zawsze trzymać teleskopową pilarkę łańcuchową oburącz. Położyć jedną rękę na uchwycie teleskopowym (9) i drugą na tylnym uchwycie w pobliżu włącznika. Nacisnąć i przytrzymać włącznik (8), aby włączyć narzędzie. Zwolnienie włącznika spowoduje automatyczne zatrzymanie narzędzia.

#### Podczas użytku

Rozebrać łańcuch przed zetknięciem go z drewnem. Nie wciskać pilarki na siłę podczas cięcia. Utrzymywać stałą prędkość pracy maszyny i pozwolić łańcuchowi pracować. Regularnie sprawdzać poziom oleju w zbiorniku i uzupełniać go zanim całkowicie się wyczerpie. W przypadku odcinania dużych/długich konarów, zaleca się odcinanie ich po kawałku.

#### Po użyciu

Zetrzeć wszelkie zanieczyszczenia i resztki z łańcucha (4) szczotką lub szmatką. Założyć osłonę łańcucha (13) i wyjąć akumulator (14) przed rozpoczęciem przechowywania narzędzia. Aby zapobiegać wyciekom oleju podczas przechowywania, spuszczać wszelki pozostały olej ze zbiornika (6) do odpowiedniego pojemnika.

## 5. KONSERWACJA



*Przed rozpoczęciem czyszczenia i konserwacji zawsze wyłączać urządzenie i wyjmować z niego akumulator.*

Czyścić obudowę urządzenia regularnie miękką ściereczką, najlepiej po każdym użyciu. Dopilnować, aby otwory wentylacyjne były wolne od pyłu, kurzu i zabrudzeń. Usuwać odporne zabrudzenia miękką ściereczką zwilżoną mydlinami. Nie używać żadnych rozpuszczalników, takich jak benzyna, alkohol, amoniak itp. Takie substancje chemiczne

spowodują uszkodzenie części maszyny wykonanych z tworzyw sztucznych.

### Regulacja napięcia łańcucha (rys. H)

Normalne zużycie powoduje powolne rozciągnięcie łańcucha z czasem. Łańcuch jest wyposażony w mechanizm napinający pozwalający kompensować to rozciągnięcie. Obracać śrubę napinania łańcucha (21) z przodu maszyny w celu wyregulowania napięcia łańcucha. Łańcuch (4) jest prawidłowo napięty, gdy można go unieść na około 2-3 mm ręką pośrodku prowadnicy (5). Kiedy mechanizm napinający nie pozwala już na całkowitą kompensację rozciągnięcia, łańcuch jest zużyty i należy go wymienić.

### Wymiana łańcucha pilarki (rys. H)

1. Wykręcić śrubę (22) i zdjąć osłonę (23).
2. Zdjąć łańcuch (4) oraz prowadnicę łańcucha (5). Zutylizować stary łańcuch.
3. Nałożyć nowy łańcuch wokół prowadnicy. Dopilnować, aby rozmiar nowego łańcucha był właściwy i przestrzegać kierunku pracy łańcucha.
4. Założyć łańcuch na zębate koło napędowe i ponownie osadzić prowadnicę.
5. Dopilnować, by wszystkie części były prawidłowo osadzone, założyć na miejsce osłonę (23) i dokręcić śrubę (22).
6. Sprawdzić napięcie łańcucha i wyregulować je w razie potrzeby.

### Przechowywanie

Teleskopową pilarkę łańcuchową przechowywać w bezpiecznym i suchym miejscu niedostępnym dla dzieci. Nie kłaść niczego na urządzeniu. Zwrócić uwagę, że w korku zbiornika oleju (6) znajduje się mały kanał odpowietrzający. Maszynę należy przechowywać poziomo, z korkiem zbiornika oleju umieszczonym na górze, aby zapobiegać wyciekom oleju przez kanał odpowietrzający korka. Jeśli konieczne jest przechowywanie maszyny w innej pozycji, należy spuścić olej ze zbiornika do odpowiedniego pojemnika w celu zapobiegania wyciekom podczas przechowywania.

## OCHRONA ŚRODOWISKA



Uszkodzone i/lub niepotrzebne urządzenia elektryczne lub elektroniczne podlegają zbiorce w odpowiednich punktach recyklingu.

### Tylko kraje WE

Nie wyrzucać elektronarzędzi wraz z odpadami z gospodarstw domowych. Zgodnie z dyrektywą 2012/19/WE dotyczącą zużytych urządzeń elektrycznych i elektronicznych oraz jej wdrożeniem do prawodawstwa krajowego, elektronarzędzia, które już nie nadają się do użytku, podlegają oddzielnej zbiórce oraz utylizacji w sposób przyjazny dla środowiska.

## GWARANCJA

Produkty VONROC są wytwarzane zgodnie z najwyższymi standardami jakości i producent udziela gwarancji na wady materiałowe i wady wykonania na okres wymagany prawem, licząc od dnia zakupu. Jeśli wystąpi usterka produktu w tym okresie spowodowana wadą materiałową i/lub wadą wykonania, proszę bezpośrednio skontaktować się ze sprzedawcą VONROC.

Następujące okoliczności powodują unieważnienie gwarancji:

- Przeprowadzono naprawy lub modyfikacje narzędzia w serwisie innym lub autoryzowany lub podjęto ich próbę,
- Normalne zużycie,
- Narzędzie było używane niezgodnie z przeznaczeniem, zle z nim się obchodzono lub było nieprawidłowo konserwowane,
- Użyto części zamiennych innych niż oryginalne.

Niniejsza gwarancja to wyłączna gwarancja producenta i nie obowiązują żadne inne wyrażone ani dorozumiane gwarancje. Nie obowiązują żadne inne wyrażone ani dorozumiane gwarancje o zakresie przekraczającym niniejszą gwarancję, co obejmuje dorozumiane gwarancje przydatności do sprzedaży i przydatności do określonego celu. W żadnym przypadku firma VONROC nie ponosi odpowiedzialności za straty przypadkowe lub wynikowe. Zadośćuczynienie sprzedawcy jest ograniczone do naprawy lub wymiany niezgodnych urządzeń lub części.

**Produkt i instrukcja obsługi podlegają zmianom. Dane techniczne podlegają zmianom bez uprzedzenia.**



## 1. INSTRUCȚIUNI DE SIGURANȚĂ

Citiți avertizările de siguranță, avertizările de siguranță suplimentare și instrucțiunile. Nerespectarea avertizărilor de siguranță poate cauza producerea de electrocutări, incendii și/sau răniri grave. Păstrați avertizările de siguranță și instrucțiunile pentru referințe viitoare.

În manualul de utilizare sau pe produs se utilizează următoarele simboluri:



Citiți manualul de utilizare.



Indică riscul de rănire personală, pierderea vieții sau deteriorarea sculei în cazul în care nu se respectă instrucțiunile din acest manual.



Pericol de electrocutare.



Max 45°C

Temperatură max. 45°C.



Nu aruncați acumulatorul în foc.



Nu aruncați acumulatorul în apă.



Purtați echipament de protecție pentru cap.



Purtați ochelari de protecție.



Nu expuneți la ploaie.



Țineți mâinile departe de lamă.



Țineți cont de obiectele aruncate. Țineți persoanele din jur la distanță.



Mențineți produsul la distanță față de cablurile de înaltă tensiune!  
Distanță de minimum 10 metri.



Aparat Clasa II. Izolație dublă, nu este necesară o priză cu împământare.



Legătură de siguranță în miniatură de tip Time-lag.



Colectare separată pentru acumulatorul Li-ion.



Nu scoateți din uz produsul în containere neadecvate.



Produsul este în conformitate cu standardele de siguranță aplicabile din directivele europene.

### AVERTISMENTE GENERALE DE SIGURANȚĂ PRIVIND UNELTELE ELECTRICE



**AVERTISMENT! Citiți toate avertismentele de siguranță și toate instrucțiunile.**

Nerespectarea avertismentelor și instrucțiunilor poate cauza producerea de electrocutări, incendii și/sau răniri grave.

#### Păstrați toate avertismentele și instrucțiunile pentru consultare ulterioară.

Termenul „unealtă electrică” din avertismente se referă la scula electrică (cu fir) sau la unealta electrică cu baterie (fără fir).

#### 1) Siguranța zonei de lucru

- Păstrați zona de lucru curată și bine iluminată.** Zonele dezordonate sau întunecate duc la accidente.
- Nu operați uneltele electrice în atmosfere explozive, cum ar fi în prezența lichidelor, gazelor sau pulberilor explozive.** Uneltele electrice generează scânteii care pot aprinde pulberea sau fumul inflamabile.
- Păstrați distanța față de copii sau alte persoane atunci când operați unealta electrică.** Distragerile vă pot cauza pierderea controlului.

#### 2) Siguranța electrică

- Ștecherile uneltelor electrice trebuie să se potrivească cu priza. Nu modificați niciodată în nici un fel mufele. Nu folosiți adaptoare de priză cu scule electrice legate de pământ (împământate).** Mufele nemodificate și prizele adecvate reduc riscul șocului electric.
- Evitați contactul corpului cu suprafețele împământate precum țevi, radiatoare, cuptoare și frigidere.** Există un risc mai mare de electrocutare dacă vă este corpul împământat.
- Nu expuneți uneltele electrice la ploaie sau condiții de umezeală.** Apa care pătrunde într-o unealtă electrică va spori riscul de electrocutare.

- d) **Nu forțați cablul. Nu folosiți niciodată cablul pentru a purta, a trage sau a deconecta unealta.** Feriți cablul de căldură, ulei, margini ascuțite sau piese mobile. Cablurile distruse sau încurcate cresc riscul de electrocutare.
- e) **Atunci când operați o unealtă electrică în aer liber, utilizați un cablu prelungitor pentru exterior.** Folosirea unui cablu adecvat pentru uzul în aer liber scade riscul de electrocutare.
- f) **În cazul în care operarea unei unelte electrice într-un spațiu cu umiditate nu poate fi evitată, utilizați o alimentare cu protecție pentru dispozitivele de curent rezidual (RCD).** Utilizarea unui RCD reduce riscul de electrocutare.
- 3) Siguranța personală**
- a) **Fiți precauți, fiți atenți la ceea ce faceți și respectați regulile de bun simț atunci când operați o unealtă electrică. Nu folosiți unealta electrică atunci când sunteți obosit sau sub influența drogurilor, alcoolului sau unui tratament medicamentos.** Un moment de neatenție în timpul operării uneltelor electrice poate cauza vătămări corporale grave.
- b) **Utilizați echipamentul de protecție corporală. Purtați întotdeauna protecție pentru ochi.** Echipamentul de protecție precum masca de praf, pantofii de protecție antiderapați, casca de protecție sau protecția auzului utilizate în condiții adecvate vor reduce rănilor personale.
- c) **Preveniți pornirea neintenționată. Asigurați-vă că comutatorul este în poziția-oprit înainte de a vă conecta la sursa de alimentare și / sau la baterie, de a ridica sau purta instrumentul.** Purtarea de unelte electrice ținând degetul pe comutator sau alimentarea uneltelor electrice care au comutatorul pornit duce la accidente.
- d) **Îndepărtați orice cheie sau clește de reglare înainte de a porni unealta electrică.** Un clește sau o cheie lăsată atașată unei piese rotative a uneltei electrice poate cauza vătămări corporale.
- e) **Nu vă întindeți pentru a utiliza unealta de lucru. Mențineți-vă întotdeauna stabilitatea și echilibrul.** Acest lucru permite un control mai bun al uneltei electrice în situații neașteptate.
- f) **Îmbrăcați-vă corespunzător. Nu purtați haine largi sau bijuterii. Țineți-vă părul, îmbrăcămintea și mânușile departe de piesele mobile.** Hainele largi, bijuteriile sau părul lung pot fi prinse în părțile mobile.
- g) **În cazul în care dispozitivele prezintă posibilitatea conectării de accesorii pentru aspirația și colectarea prafului, asigurați-vă că aceste accesorii sunt conectate și utilizate în mod corespunzător.** Utilizarea colectării prafului poate reduce pericolele legate de praf.
- h) **Nu lăsați ca obișnuința obținută prin utilizarea frecventă a uneltelor să vă permită să deveniți impasibil și să ignorați principiile de siguranță în utilizarea uneltelor.** O acțiune neglijentă poate provoca accidente grave într-o fracțiune de secundă.
- 4) Utilizarea și îngrijirea uneltelor electrice**
- a) **Nu forțați unealta electrică. Utilizați unealta electrică adecvată aplicației dvs.** Unealta electrică corectă va face munca mai bine și mai sigur la rata pentru care a fost proiectată.
- b) **Nu utilizați unealta electrică în cazul în care întrerupătorul nu comută în poziția pornit și oprit.** Orice unealtă electrică care nu poate fi controlată cu comutatorul este periculoasă și trebuie reparată.
- c) **Deconectați ștecherul de la sursa de alimentare și/sau acumulatorul de la unealta electrică înaintea efectuării oricăror reglaje, modificării accesoriilor sau depozitării uneltelor electrice.** Aceste măsuri preventive de precauție reduc riscul de pornire accidentală.
- d) **Nu depozitați uneltele electrice în stare inactivă la îndemâna copiilor și nu permiteți persoanelor nefamiliarizate cu unealta de lucru sau cu aceste instrucțiuni să o utilizeze.** Uneltele electrice sunt periculoase în mâinile utilizatorilor neinstruiți.
- e) **Efectuați întreținerea uneltelor electrice. Verificați alinierea sau configurarea greșită a pieselor mobile, ruperea pieselor și orice alte condiții care ar putea afecta funcționarea uneltei electrice. În cazul deteriorării, reparați unealta electrică înainte de uz.** Multe accidente sunt cauzate de unelte electrice slab întreținute.
- f) **Păstrați uneltele de tăiat ascuțite și curate.** Uneltele de tăiat corect întreținute cu muchii ascuțite au mai puține șanse să se lege și sunt mai ușor de controlat.
- g) **Utilizați unealta electrică, accesoriile și cuțitele uneltei etc. conform acestor instrucțiuni, ținând cont de condițiile de lucru și de lucrarea ce trebuie să fie efectuată.** Folosirea uneltei electrice pentru operații diferite decât celea destinate pot cauza o situație periculoasă.

h) **Țineți mânerele și suprafețele de prindere uscate, curate și lipsite de ulei și unsoare.** Mânere și suprafețele de prindere alunecoase nu permit manipularea și controlul unelei în de siguranță în situații neașteptate.

#### 5) Utilizarea și îngrijirea uneltelor cu acumulator

a) **Reîncărcați folosind exclusiv încărcătorul specificat de către producător.** Dacă un încărcător conceput pentru un anumit tip de acumulatori este folosit cu alt acumulator, acest lucru poate genera risc de incendiu.

b) **Utilizați uneltele electrice exclusiv împreună cu acumulatorii specificați.** Utilizarea altor acumulatori poate cauza risc de rănire și incendiu.

c) **Atunci când nu folosiți acumulatorul, păstrați-l ferit de alte obiecte metalice, precum agrafe de birou, monede, chei, cuie, șuruburi sau alte obiecte metalice mici care pot realiza conexiunea între cele două borne.** Scurtcircuitarea bornei bateriei poate cauza arsuri sau incendiu.

d) **În condiții de utilizare incorectă, este posibil să fie evacuat lichid din acumulator; evitați contactul cu acesta. În cazul în care se produce accidental contactul, clătiți cu apă. Dacă lichidul intră în contact cu ochii, solicitați ajutor medical suplimentar.** Lichidul scurs din acumulator poate cauza iritații sau arsuri.

e) **Nu folosiți un acumulator sau o unealtă care este deteriorată sau modificată.** Acumulatorii deteriorați sau modificați pot avea un comportament imprevizibil care rezultă în foc, explozie sau risc de rănire.

f) **Nu expuneți acumulatorul sau unealta la foc sau temperatură excesivă.** Expunerea la foc sau temperaturi de peste 130 °C poate provoca explozie. **OBSERVAȚIE** Temperatura „130 °C” poate fi înlocuită cu temperatura „265 °F”.

g) **Respectați toate instrucțiunile de încărcare și nu încărcați acumulatorul sau unealta în afara intervalului de temperatură specificat în instrucțiuni.** Încărcarea necorespunzătoare sau la temperaturi în afara domeniului specificat poate deteriora acumulatorul și poate crește riscul de incendiu.

#### 6) Service

a) **Prevedeți repararea unelei de lucru de către o persoană calificată, folosind exclusiv piese de schimb identice.** Acest lucru va garanta păstrarea în siguranță a unelei electrice.

b) **Niciodată nu servișați acumulatorii deteriorați.** Servisarea acumulatorilor ar trebui să fie efectuată numai de către producător sau furnizorii autorizați de service.

#### AVERTIZĂRI DE SIGURANȚĂ DRUJBĂ TELES-COPICĂ

a) **Țineți toate părțile corpului la distanță de lanțul drujbei.** Nu îndepărtați materialul tăiat sau nu prindeți materialul care trebuie tăiat atunci când lanțul drujbei este în mișcare. Asigurați-vă că unealta este deconectată și că acumulatorul este îndepărtat atunci când eliminați materialul blocat. Un moment de neatenție în timpul operării drujbei telescopice poate conduce la vătămări corporale grave.

b) **Țineți unealta electrică exclusiv de suprafețele izolate pentru prindere deoarece lanțul drujbei poate atinge cabluri ascunse.** Tăierea unui cablu sub tensiune de către lanțurile drujbelor ar putea determina scurgerea curentului în componentele metalice expuse ale produsului sub tensiune și ar putea electrocuta operatorul.

c) **Țineți bine unealta cu ambele mâini și aduceți-vă corpul și brațele într-o poziție în care să puteți controla forțele de recul.** Operatorul poate controla forțele de recul dacă sunt adoptate măsuri adecvate pentru protecție. Nu lăsați din mână drujba telescopică.

d) **La tăierea unei crengi, aveți grijă la recul.** Dacă creanga este spartă, se poate îndoi și lanțul drujbei se poate bloca.

e) **La transportare, drujba trebuie să fie oprită, ținută cu ambele mâini și capacul acesteia trebuie să fie montat.** Manevrarea adecvată a drujbei va reduce probabilitatea atingerii accidentale a lanțului aflat în mișcare.

f) **Nu operați drujba telescopică în copac.** Operarea unei drujbe telescopice în timpul ce operatorul urcă sau se află într-un copac poate cauza vătămări personale.

g) **Mențineți întotdeauna o poziție adecvată și operați drujba doar dacă vă aflați pe o suprafață fixă, sigură și plană.** Suprafețele alunecoase sau instabile, cum ar fi scările, pot provoca pierderea echilibrului sau a controlului asupra drujbei.

h) **Respectați instrucțiunile referitoare la lubrifiere, tensionarea lanțului și schimbarea accesoriilor.** Un lanț tensionat sau lubrifiat incorect se poate rupe sau poate mări probabilitatea apariției unui recul.

- i) **Mențineți mânerele uscate, curate și lipsite de ulei și unsoare.** Mânerile gresate sau uleioase sunt alunecoase și cauzează pierderea controlului.
- j) **Tăiați doar lemn.** Nu utilizați drujba telescopică în scopuri pentru care nu este destinată. De exemplu: nu utilizați drujba pentru tăierea plasticului, pentru materiale de zidărie sau alte materiale de construcție care nu sunt din lemn. Utilizarea drujbei telescopice pentru operații diferite de cele pentru care a fost proiectată poate avea ca rezultat o situație periculoasă.
- k) **Cauzele și măsurile preventive referitoare la recul:**
- Reculul poate apărea atunci când ciocul sau vârful barei de ghidare atinge un obiect sau când lemnul se apropie sau atinge scurt lanțul drujbei în timpul tăierii.
  - În anumite cazuri, atingerea vârfului poate cauza o reacție bruscă inversă, deplasând bara de ghidare în sus și apoi înapoi spre operator.
  - Atingerea scurtă a lanțului drujbei de-a lungul părții superioare a barei de ghidare poate împinge rapid bara de ghidare către operator.
- Oricare dintre aceste reacții poate conduce la pierderea controlului asupra drujbei telescopice, ceea ce poate conduce la vătămări personale grave. În calitate de utilizator al drujbei, trebuie să aplicați anumiți pași pentru a vă asigura că lucrările de tăiere sunt lipsite de accidente sau vătămări.
- Recul este rezultatul utilizării incorecte sau inadecvate a produsului. Reculul poate fi evitat prin aplicarea măsurilor adecvate pentru protecție, conform celor indicate mai jos.**
- l) **Utilizați doar lanțurile de schimb specificate de producător.** Lanțurile de drujbă incorecte pot conduce la ruperea acestora sau la recul.
- m) **În cazul în care bara este deteriorată și trebuie înlocuită, vă rugăm să consultați distribuitorul dvs.**
- n) **Pentru a preveni operarea accidentală lanțului drujbei, această drujbă este echipată cu un întrerupător cu interblocare mecanică.** Pentru a opera drujba, butonul de blocare trebuie apăsat înainte ca lanțul drujbei să înceapă operarea
- Nu utilizați produsul fără să apăsați butonul de blocare.
  - Nu operați această unealtă cu o singură mână. Țineți produsul bine cu ambele mâini;
- o mână pentru ținerea produsului în siguranță și cealaltă pentru operarea întrerupătorului de pornire/oprire.
- o) **Nu le permiteți niciodată copiilor, persoanelor cu limitări fizice, senzoriale sau mentale sau cu lipsă de experiență și/sau cunoștințe și/sau persoanelor care nu cunosc aceste instrucțiuni să utilizeze mașina.** Regulamentele locale pot limita vârsta operatorului.
- p) **Copiii trebuie să fie supravegheați, pentru a vă asigura că nu se joacă cu mașina.**
- q) **Când nu este folosită, nu depozitați drujba telescopică la îndemâna copiilor.**
- r) **Înainte de operărie, verificați zona de lucru și îndepărtați toate posibilele pericole.**
- s) **Întotdeauna așteptați până când mașina s-a oprit complet și îndepărtați acumulatorul înainte de a o așeza jos.** Lanțul se poate bloca sau poate avea recul, conducând astfel la pierderea controlului asupra mașinii.
- t) **Oprii drujba atunci când schimbați poziția de lucru.**
- u) **O creangă tăiată poate cauza vătămare corporală prin cădere sau prin ricoșare de la sol.** Tăiați crengile mai lungi în secțiuni.
- v) **Reduceți forța înainte de tăierea completă a crengii.** Vă puteți răni dacă vă pierdeți echilibrul sau controlul asupra drujbei.
- w) **Nu agățați produsul în copac atunci când nu-l utilizați.** Poziționați întotdeauna unealta pe sol, într-un loc sigur, fără să îndepărtați acumulatorul.

#### AVERTIZĂRI DE SIGURANȚĂ SUPLIMENTARE

- a) **Această unealtă nu este destinată utilizării de către persoane (inclusiv copii) cu capacități fizice, senzoriale sau mentale reduse sau de către persoane lipsite de experiență și cunoștințe,** cu excepția cazurilor în care acestea au fost supravegheate și instruite cu privire la utilizarea aparatului de către o persoană responsabilă pentru siguranța lor. Copiii trebuie să fie supravegheați, pentru a vă asigura că nu se joacă cu aparatul.
- b) **Atunci când lucrați cu mașina, țineți-o ferm cu ambele mâini și asigurați-vă o poziție sigură.** Scula electrică este mai bine manevrată cu ambele mâini.
- c) **Atunci când utilizați mașina, asigurați-vă întotdeauna că toate mânerele și apărătoarele sunt montate.** Nu încercați niciodată să utilizați o mașină incompletă sau asupra căreia s-a efectuat o modificare neautorizată.

- d) **Lubrifiați întotdeauna lanțul drujbei cu spray de protecție înainte de utilizare.**
- e) **Întotdeauna așteptați până când mașina s-a oprit complet înainte de a o așeza jos.**
- f) **Alte persoane și animale trebuie să păstreze o distanță de minimum 3 metri atunci când este utilizată mașina.** Operatorul este responsabil pentru persoanele terțe din zona de lucru.
- g) **Nu apucați niciodată lanțul drujbei.**
- h) **Copiii sau persoanele care nu sunt familiarizate cu aceste instrucțiuni nu trebuie să opereze drujba.** Regulamentele locale pot limita vârsta operatorului.
- i) **Utilizatorul este responsabil pentru accidentele sau pericolele care apar la alte persoane sau proprietatea acestora.**
- j) **Nu operați drujba dacă nu purtați încălțăminte sau dacă purtați sandale deschise, purtați întotdeauna încălțăminte adecvată și pantaloni lungi.** Este recomandată utilizarea mănușilor rezistente, a încălțămintei antiderapante și a ochelarilor de protecție. Nu purtați haine largi sau bijuterii care ar putea fi prinse în piesele în mișcare.
- k) **Inspectați temeinic zona în care trebuie utilizată drujba și îndepărtați toate cablurile și celelalte obiecte străine.**
- l) **Înainte de operare, verificați lanțul drujbei, bara și șuruburile cu privire la uzură sau deteriorări.** Nu operați cu o drujbă deteriorată sau uzată excesiv.
- m) **Aflați care este modalitatea de oprire rapidă a drujbei în caz de urgență.**
- n) **Utilizați drujba numai în condiții de lumină diurnă sau de lumină artificială bună.**
- o) **Nu operați niciodată drujba dacă apărătorile sunt defecte sau dacă nu sunt montate.**
- p) **Nu țineți niciodată drujba de apărătoare.**
- q) **La operarea drujbei telescopice, mențineți-vă întotdeauna stabilitatea și echilibrul.**
- r) **Fiți întotdeauna conștient de mediul înconjurător și fiți atent cu privire la posibilele pericole pe care s-ar putea să nu le auziți în timp ce operați drujba.**
- s) **Păstrați toate piulițele, șuruburile și buloanele străne pentru a vă asigura că drujba se află întotdeauna în stare sigură de funcționare.**
- t) **Drujba telescopică trebuie depozitată într-un loc uscat, la înălțime sau încuiat, care să nu fie la îndemâna copiilor.**
- u) **Înlocuiți piesele uzate sau defecte pentru siguranță.**

- v) **Nu încercați să reparați mașina dacă nu dețineți calificarea corespunzătoare.**
- w) **Țineți produsul bine cu ambele mâini.**

### AVERTISMENTE DE SIGURANȚĂ PENTRU ACUMULATOR

- a) **Nu deschideți acumulatorul.** Pericol de scurtcircuitare.
- b) **Protejați acumulatorul împotriva căldurii, de exemplu împotriva expunerii puternice la soare, foc, apă și umiditate.** Pericol de explozie.
- c) **În cazul deteriorării și utilizării necorespunzătoare a acumulatorului, pot fi emiși vapori. Ventilați zona și solicitați asistență medicală în caz de sesizări.** Vaporii pot irita sistemul respirator.
- d) **Utilizați acumulatorul numai împreună cu produsul dvs. Vonroc.** Numai această măsură protejează acumulatorul împotriva supraîncărcării periculoase.
- e) **Acumulatorul poate fi deteriorat de obiecte ascuțite, cum ar fi cuie sau șurubelnițe sau forță aplicată extern.** Poate apărea un scurtcircuit intern și acumulatorul poate arde, exploda sau supraîncălzi.

### AVERTISMENTE DE SIGURANȚĂ PENTRU STAȚII DE ÎNCĂRCARE

#### Domeniul de utilizare

Încărcați doar acumulatorii de tip CD801AA și CD803AA cu încărcătorul. Alte tipuri de acumulatori pot exploda provocând rănire personală și daune.

- a) **Aparatul nu trebuie utilizat de către persoane (inclusiv copii) cu capacități fizice, senzoriale sau mentale reduse, sau de către persoane lipsite de experiență și cunoștințe, cu excepția cazului în care acestea au fost supravegheate și instruite.**
- b) **Nu lăsați copiii nesupravegheați să se joace cu aparatul.**
- c) **Nu reîncărcați bateriile ne-reîncărcabile!**
- d) **În timpul încărcării, acumulatorii trebuie amplasați într-o zonă bine ventilată!**

#### Instrucțiuni de siguranță privind alimentarea electrică



*Verificați întotdeauna ca tensiunea de la alimentarea cu energie să corespundă tensiunii de pe plăcuța cu specificații.*

- Nu utilizați aparatul în cazul în care cablul de alimentare sau ștecherul este deteriorat sau defect.

- Folosiți numai cabluri prelungitoare adecvate pentru puterea mașinii cu o grosime minimă de 1,5 mm<sup>2</sup>. Dacă utilizați o bobină de cablu de extensie, derulați întotdeauna complet cablul.

## 2. INFORMAȚII CU PRIVIRE LA MAȘINĂ

### Domeniul de utilizare

Mașina este destinată uzului casnic, pentru curățarea copacilor și a arbuștilor la înălțime, utilizatorul fiind poziționat pe sol. Mașina nu este destinată utilizării pe o scară sau pe trepte. Mașina nu este proiectată pentru tăierea materialului anorganic. Această unealtă nu este potrivită pentru uz comercial sau industrial.

### SPECIFICAȚII TEHNICE



*Acest manual a fost realizat pentru diferite numere de seturi/articole. Verificați numărul articolului corespunzător în tabelul de specificații de mai jos pentru a vedea compoziția și conținutul exact al setului.*

Nr. model	Acumulatori inclus	Încărcătoare inclus
<b>CS504DC</b>	-	-
<b>S_CS504DC</b>	CD801AA	CD802AA
<b>S2_CS504DC</b>	2 x CD801AA	CD802AA
<b>S3_CS504DC</b>	CD803AA	CD802AA

Informații despre mașină	
Tensiune	20 V
Viteza lanțului	5 m/s
Lungimea barei lanțului	200 mm
Lungimea lanțului	44T
Înălțimea lanțului	1/4"
Ecartamentul lanțului	0,043"
Reglare lungime	200-260cm
Nivelul presiunii acustice (LpA)	78,2 dB, k = 3 dB
Nivelul presiunii sonore (LWA)	88 dB(A), K=3dB(A)
LWA garantat	91 dB
Vibrație	Mâner frontal $a_n = 2,74 \text{ m/s}^2$ Mâner posterior $a_n = 2,69 \text{ m/s}^2$ K=1,5 m/s <sup>2</sup>
Greutate	2,3 kg

Nr. model	CD801AA
Tip acumulator	Litiu ion
Tensiune	20 V
Capacitate	2,0 Ah
Încărcător recomandat	CD802AA
Greutate	0,3 kg

Nr. model	CD802AA
Intrare încărcător	220-240V, 50Hz 0,4A
Ieșire încărcător	21V  2,5A
Timpe de încărcare acumulator 2Ah	60 minute
Timpe de încărcare acumulator 4Ah	120 minute
Acumulatori recomandați	CD801AA, CD803AA
Greutate	0,36 kg

Nr. model	CD803AA
Tip acumulator	Litiu ion
Tensiune	20 V
Capacitate	4,0 Ah
Încărcător recomandat	CD802AA
Greutate	0,65 kg

Utilizați numai următoarele baterii ale platformei VONROC VPOWER 20 V. Utilizarea altor baterii poate provoca vătămări corporale grave sau defectarea uneltei.

CD801AA 20 V, 2 Ah Litiu-Ion  
CD803AA 20 V, 4 Ah Litiu-Ion

Următorul încărcător al dispozitivului poate fi utilizat pentru a încărca aceste baterii.  
CD802AA Încărcător rapid

Bateriile platformei VONROC VPOWER 20V sunt interschimbabile cu toate uneltele VONROC VPOWER 20V.

### DESCRIERE

Numerele din text se referă la diagramele de la paginile 2 - 5.

- Capul drujbei
- Buton de reglare a capului

3. Inel de blocare a capului
4. Lanțul drujbei
5. Bara drujbei
6. Capacul rezervorului de ulei
7. Pârghie de blocare a mânerului
8. Întrerupător electric
9. Mâner telescopic
10. Conector alimentare
11. Curea de umăr
12. Carabină
13. Capacul lanțului
14. Acumulator
15. Încărcător acumulator
16. Buton eliberare acumulator
17. Buton indicator cu LED pentru acumulator
18. Indicatori acumulator LED
19. Indicatori LED încărcător

### 3. ASAMBLAREA



*Înainte de orice lucrare (întreținere, schimbare a uneltei, asamblare) la unealta electrică, îndepărtați acumulatorul din unealta electrică.*



*Înainte de prima utilizare, acumulatorul trebuie să fie încărcat.*

#### Introducerea acumulatorului în mașină (Fig. B-1)

Asigurați-vă că exteriorul acumulatorului este curat și uscat înainte de a-l conecta la acumulator sau la mașină.

1. Introduceți acumulatorul (14) în suportul mașinii, așa cum este indicat în Fig. B-1.
2. Apăsăți acumulatorul până când se fixează în poziție.

#### Scoaterea acumulatorului din mașină (Fig. B-1)

1. Apăsăți butonul de eliberare a acumulatorului (16).
2. Scoateți acumulatorul din aparat, așa cum este indicat în Fig. B-1.

#### Verificarea nivelului de încărcare a acumulatorului (Fig. B-2)

- Pentru a verifica nivelul de încărcare a acumulatorului, apăsați scurt butonul (17) de pe acumulator.
- Acumulatorul este prevăzut cu 3 lumini care indică nivelul de încărcare, numărul de lumini aprinse semnifică gradul de încărcare a bateriei.

- Atunci când luminile sunt stinse, acest lucru semnifică faptul că acumulatorul este descărcat și trebuie încărcat imediat.

#### Încărcarea acumulatorului folosind încărcătorul (Fig. B-2)

1. Scoateți acumulatorul (14) din mașină.
2. Întoarceți invers acumulatorul (14) și împingeți-l în încărcător (15), așa cum este indicat în Fig. B-2.
3. Apăsăți acumulatorul până când este introdus complet în locaș.
4. Conectați mufa încărcătorului la o priză electrică și așteptați o perioadă. Indicatorii LED de pe încărcător (19) se vor aprinde și vor indica nivelul de încărcare.

#### Încărcătorul are 2 indicatori LED (19), care indică nivelul procesului de încărcare:

LED roșu de stare	LED verde de stare	Stare încărcător
Oprit	Oprit	Fără alimentare
Oprit	Pornit	Mod de așteptare: - Nu există niciun acumulator sau: - Acumulator introdus, dar încărcarea s-a sfârșit
Pornit	Oprit	Încărcare acumulator în progres

- Încărcarea completă a acumulatorului de 2Ah poate dura până la 60 de minute.
- Încărcarea completă a acumulatorului de 4Ah poate dura până la 120 de minute.

După încărcarea completă a acumulatorului, scoateți mufa încărcătorului din priză și îndepărtați acumulatorul din încărcător.



*Atunci când nu folosiți mașina, este indicat să depozitați acumulatorul în stare încărcată.*

#### Ansamblul uneltei (Fig. C, D)

- Atașați cureaua de umăr (11) la catarama de la mâner (9), folosind carabina (12).
- Eliberați inelul de blocare a capului (3) rotindu-l în sens invers acelor de ceasornic. Nu îndepărtați complet inelul de la cap.
- Montați capul drujbei (1) la mânerul telescopic (9) prin introducerea conectorului de alimentare (10) în cap.

- În cazul în care conectorul (10) nu este introdus corespunzător, s-ar putea să nu existe conexiune electrică și unealta să nu funcționeze. Asigurați-vă că conectorul de alimentare este complet introdus în capul drujbei. Bulonul (20) de pe mâner trebuie să fie acoperit de capul drujbei (1) și de inelul de blocare (3).
- Securizați capul drujbei (1) prin rotirea inelului de blocare (3) în sens orar



*Nu fixați niciodată cureaua pe diagonală, peste umăr și piept, ci poziționați-o pe unul dintre umeri. Astfel, vă veți putea îndepărta rapid unealta de corp, în caz de pericol.*

#### Reglarea înălțimii mânerului telescopic (Fig. E-1, E-2)

- Deblocați pârghia (7) pentru a elibera mânerul telescopic (9).
- Extindeți sau retrageți mânerul telescopic (9) la lungimea dorită.
- Securizați mânerul telescopic prin blocarea pârghiei (7).

#### Reglarea capului pivotant al drujbei (Fig. F-1, F-2)

- Apăsăți butonul (2) de pe partea capului drujbei (1).
- Reglați capul în poziția dorită.
- Eliberați butonul (2) și asigurați-vă de fixarea capului.

## 4 OPERAREA

### Înainte de utilizare (Fig. G)

Îndepărtați capacul lanțului (13) și verificați nivelul de ulei din rezervor (6). Nu operați drujba dacă rezervorul de ulei este gol. Utilizați doar ulei de drujbă biodegradabil. Verificați dacă lanțul (4) este tensionat în mod corect. Lanțul este tensionat corect atunci când poate fi ridicat manual aprox. 2-3 mm în mijlocul barei lanțului (5).

### Pornirea și oprirea

Țineți întotdeauna drujba telescopică cu ambele mâini. Țineți o mână pe mânerul telescopic (9) și o mână pe mânerul posterior din apropierea întrerupătorului electric. Apăsăți și mențineți întrerupătorul electric (8) pentru operarea mașinii. Dacă întrerupătorul electric este eliberat, mașina se va opri automat.

### În timpul utilizării

Puneți lanțul în viteză înainte de a intra în contact cu lemnul. Nu forțați drujba în timpul tăierii. Mențineți mașina la o viteză stabilă și lăsați lanțul să funcționeze. Verificați regulat nivelul de ulei din rezervor, completați rezervorul înainte să se consume total. În cazul tăierii crengilor de mari dimensiuni sau lungi, se recomandă tăierea în mai multe bucăți.

### După utilizare

Ștergeți toată murdăria și resturile de pe lanț (4), cu ajutorul unei perii sau a unei lăvețe. Montați capacul lanțului (13) și îndepărtați acumulatorul (14), înainte de depozitarea mașinii. Pentru a preveni scurgerea uleiului în timpul depozitării, scurgeți uleiul rămas din rezervor (6) într-un container adecvat.

## 5. ÎNTREȚINEREA



*Înainte de curățare și întreținere, opriți alimentarea electrică a mașinii și scoateți acumulatorul din mașină.*

Curățați regulat carcasa cu o cârpă moale, de preferat după fiecare utilizare. Curățați fantele de aerisire de praf și murdărie. Îndepărtați murdăria persistentă cu o cârpă moale înmuiată în clăbuci de săpun. Nu utilizați solvenți precum benzină, alcool, amoniac etc. Astfel de substanțe chimice vor deteriora componentele sintetice ale mașinii.

### Reglarea tensiunii lanțului drujbei (Fig. H)

Uzura normală va cauza în timp întinderea lentă a lanțului. Drujba este echipată cu un mecanism de tensionare pentru compensarea acestei întinderi. Rotiți șurubul de tensionare a lanțului (21) de la partea frontală a mașinii, pentru reglarea tensiunii lanțului. Lanțul (4) este tensionat corect atunci când poate fi ridicat manual aprox. 2-3 mm în mijlocul barei lanțului (5). Atunci când mecanismul de tensionare nu mai poate compensa total această întindere, lanțul este uzat și trebuie înlocuit.

### Înlocuirea lanțului drujbei (Fig. H)

1. Desfaceți bulonul (22) și îndepărtați capacul (23).
2. Îndepărtați lanțul (4) și bara drujbei (5). Eliminați ca deșeu lanțul vechi.
3. Așezați lanțul nou în jurul barei lanțului. Asigurați-vă că dimensiunea noului lanț este corectă și observați direcția corectă de rulare a lanțului.



4. Montați lanțul pe pinionul de antrenare a lanțului și amplasați bara lanțului.
5. Asigurați-vă că toate piesele sunt amplasate adecvat, remontați capacul (23) și strângeți bulonul (22).
6. Verificați tensiunea lanțului și reglați-o, dacă este necesar.

### Depozitarea

Drujba telescopică trebuie păstrată într-un loc uscat și sigur, ferit de accesul copiilor. Nu așezați obiecte grele pe acestea. Țineți cont de faptul că există un mic canal de aerisire pe capacul rezervorului de ulei (6). Mașina trebuie depozitată într-o poziție orizontală, cu capacul rezervorului în sus, pentru a preveni scurgerea uleiului prin canalul de pe capac. În mod alternativ, dacă mașina trebuie depozitată într-o altă poziție, uleiul trebuie scurs din rezervor într-un container adecvat, pentru a preveni scurgerea în timpul depozitării.

### MEDIU



*Aparatele electrice sau electronice deteriorate și/sau defecte trebuie colectate în locurile de reciclare corespunzătoare.*

### Numai pentru țările din CE

Nu aruncați echipamentele acționate electric împreună cu gunoiul menajer. Conform Indicației europene 2012/19/CE pentru echipamente electrice și electronice uzate și a implementării sale la nivel național, echipamentele acționate electric scoase din uz trebuie colectate separat și evacuate într-o manieră ecologică.

### GARANȚIE

Produsele VONROC sunt realizate la cele mai înalte standarde de calitate și sunt garantate în privința materialelor și a manoperei pentru întreaga perioadă de utilizare în garanție, începând cu data achiziției. În cazul în care produsul prezintă defecțiuni în perioada de garanție din cauza materialului defect și/sau a manoperei, contactați direct VONROC.

Următoarele circumstanțe sunt excluse de la această garanție:

- Reparațiile sau modificările care realizate sau care s-au încercat a fi efectuate de centre de service neautorizate;
- Uzura în condiții normale de utilizare;
- Unealta care a fost abuzată, utilizată într-un mod neglijent sau întreținută în mod inadecvat;
- Folosirea unor piese de schimb neoriginale.

Aceasta acoperă garanția companiei, explicită sau implicită. Nu există alte garanții explicite sau implicite care să se extindă dincolo de cele indicate aici, incluzând garanțiile, vandabilitatea sau adecvarea pentru un anumit scop. În nicio situație, VONROC nu este responsabil pentru daunele incidentale sau consecvențiale. Reparațiile efectuate de reprezentant trebuie să fie limitate la reparațiile sau la înlocuirea unităților sau a pieselor neconforme.

**Produsul și manualul de utilizare pot suferi modificări. Specificațiile se pot modifica fără notificare prealabilă.**

## 1. INSTRUÇÕES DE SEGURANÇA

Leia os avisos de segurança fornecidos, os avisos de segurança adicionais e as instruções. O não cumprimento dos avisos de segurança e das instruções pode resultar em choque eléctrico, incêndio e/ou ferimentos graves. Guarde os avisos de segurança e as instruções para referência futura.

Os seguintes símbolos são utilizados no manual do utilizador ou no produto:



*Leia o manual do utilizador.*



*Indica o risco de ferimentos, morte ou danos na ferramenta se as instruções indicadas neste manual não forem seguidas.*



*Risco de choque eléctrico.*



*Temperatura máx. de 45 °C.*



*Não deite a bateria no fogo.*



*Não coloque a bateria dentro de água.*



*Use protecção para a cabeça.*



*Use óculos de segurança.*



*Não exponha à chuva.*



*Mantenha as mãos afastadas da lâmina.*



*Tenha cuidado aos objectos projectados.*



*Mantenha as outras pessoas afastadas.*



*Mantenha o produto afastado de cabos de alta tensão!*



*Distância mínima de 10 metros.*



*Equipamento de classe II. Isolamento duplo, não é necessária uma ficha de ligação à terra.*



*Fusível miniatura com desfasamento.*



*Recolha selectiva para bateria de iões de lítio.*



*Não elimine o produto em recipientes não adequados.*



*O produto está em conformidade com as normas de segurança aplicáveis nas directivas europeias.*

### AVISOS GERAIS DE SEGURANÇA SOBRE A FERRAMENTA ELÉCTRICA



**AVISO! Leia todos os avisos de segurança e instruções.** O não cumprimento dos avisos de segurança e as instruções podem resultar em choque eléctrico, incêndio e/ou ferimentos graves.

#### Guarde todos os avisos e instruções para referência futura.

O termo “ferramenta eléctrica” indicado nos avisos diz respeito à ferramenta eléctrica com alimentação pela rede (com fio) ou por bateria (sem fio).

#### 1) Segurança na área de trabalho

- Mantenha a área de trabalho limpa e devidamente iluminada.** As áreas obstruídas ou escuras são propícias a acidentes.
- Não utilize ferramentas eléctricas em atmosferas explosivas, por exemplo, na presença de líquidos inflamáveis, gases ou poeiras.** As ferramentas eléctricas produzem faíscas que podem causar ignição de poeiras ou vapores.
- Quando utilizar uma ferramenta eléctrica, mantenha as crianças e transeuntes afastados.** As distrações podem causar perda de controlo.

#### 2) Segurança eléctrica

- As fichas da ferramenta eléctrica devem corresponder à tomada. Nunca modifique, de forma alguma, a ficha. Não utilize quaisquer fichas adaptadoras com ferramentas eléctricas ligadas à terra (massa).** As fichas e tomadas correspondentes não modificadas reduzem o risco de choque eléctrico.
- Evite o contacto do corpo com superfícies ligadas à terra ou massa, como tubos, radiadores, fogões ou frigoríficos.** Há um maior risco de choque eléctrico se o corpo estiver ligado à terra ou à massa.

- c) **Não exponha as ferramentas eléctricas à chuva ou a ambientes húmidos.** A entrada de água numa ferramenta eléctrica aumenta o risco de choque eléctrico.
- d) **Não utilize o cabo de maneira abusiva. Nunca utilize o cabo para transportar, puxar ou desligar a ferramenta eléctrica. Mantenha o cabo afastado de fontes de calor, óleo, extremidades afiadas ou peças móveis.** Cabos danificados ou enrolados aumenta o risco de choque eléctrico.
- e) **Quando utilizar uma ferramenta eléctrica no exterior, opte por uma extensão adequada para utilização no exterior.** A utilização de um cabo adequado para utilização no exterior reduz o risco de choque eléctrico.
- f) **Se não for possível evitar trabalhar com uma ferramenta eléctrica num local húmido, utilize uma fonte de alimentação protegida por um dispositivo de corrente residual (DCR).** A utilização de um DCR reduz o risco de choque eléctrico.
- 3) Segurança eléctrica**
- a) **Esteja atento, preste atenção ao que está a fazer e tenha bom senso quando utilizar uma ferramenta eléctrica. Não utilize uma ferramenta eléctrica quando estiver cansado ou sob o efeito de drogas, álcool ou medicamentos.** Um momento de distração durante a utilização de ferramentas eléctricas pode resultar em ferimentos graves.
- b) **Use equipamento de protecção individual. Use sempre protecção ocular.** O equipamento de protecção, como, por exemplo, máscara de poeiras, sapatos de segurança antiderrapantes, capacete de segurança ou protecção auditiva, utilizado nas condições adequadas, reduz o risco de ferimentos.
- c) **Evite um arranque acidental. Assegure-se de que o gatilho está desligado antes de ligar a ferramenta à corrente eléctrica e/ou as baterias e antes de levantar ou transportar a ferramenta.** O transporte de ferramentas eléctricas com o dedo colocado no interruptor ou a ligação à corrente das ferramentas eléctricas com o interruptor ligado pode dar origem a acidentes.
- d) **Retire eventuais chaves de ajuste ou chaves de fendas antes de ligar a ferramenta eléctrica.** Uma chave de fenda ou de ajuste montada numa peça rotativa da ferramenta eléctrica pode causar ferimentos.
- e) **Não tente chegar a pontos fora do alcance. Mantenha-se sempre numa posição firme e bem equilibrada.** Desta forma, será mais fácil controlar a ferramenta eléctrica em situações inesperadas.
- f) **Use vestuário adequado. Não use roupa larga ou jóias. Mantenha o cabelo, a roupa e as jóias afastados das peças móveis.** As roupas largas, as jóias ou o cabelo comprido podem ficar presos nestas peças.
- g) **Se for prevista a montagem de dispositivos de extracção e recolha de poeiras, assegure-se de que estão ligados e que são utilizados de forma correcta.** A utilização de dispositivos de extracção de poeira pode reduzir os riscos inerentes.
- h) **Não permita que a familiaridade obtida através do uso frequente de ferramentas faça com que seja complacente e ignore os princípios de segurança da ferramenta.** Uma acção irreflectida pode causar ferimentos graves numa fracção de segundos.
- 4) Utilização e cuidados a ter com a ferramenta com baterias**
- a) **Não sobrecarregue a ferramenta eléctrica. Utilize a ferramenta eléctrica correcta para o seu trabalho.** A ferramenta eléctrica adequada efectua o trabalho de maneira mais eficiente e segura se for utilizada de acordo com a capacidade para a qual foi concebida.
- b) **Não utilize a ferramenta eléctrica se não conseguir ligar ou desligar o gatilho.** Qualquer ferramenta eléctrica que não possa ser controlada através do gatilho é perigosa e tem de ser reparada.
- c) **Retire a ficha da fonte de alimentação e/ou a bateria da ferramenta eléctrica, caso seja possível fazê-lo, antes de efectuar quaisquer ajustes, substituir acessórios ou guardar ferramentas eléctricas.** Estas medidas de segurança preventivas reduzem o risco de ligar a ferramenta eléctrica acidentalmente.
- d) **Mantenha as ferramentas eléctricas que não estiverem a ser utilizadas fora do alcance das crianças. Não permita que a ferramenta eléctrica seja utilizada por pessoas não familiarizadas com a mesma ou que não tenham lido estas instruções.** As ferramentas eléctricas são perigosas nas mãos de pessoas que não possuam as qualificações necessárias para manuseá-las.

- e) **Faça a manutenção das ferramentas eléctricas. Verifique se as peças móveis da ferramenta eléctrica estão alinhadas e não emperram, bem como se existem peças partidas ou danificadas ou quaisquer outras condições que possam afectar o funcionamento da mesma. Se a ferramenta eléctrica estiver danificada, esta não deve ser utilizada até que seja reparada.** Muitos acidentes têm como principal causa ferramentas eléctricas com uma manutenção insuficiente.
- f) **Mantenha as ferramentas de corte afiadas e limpas.** As ferramentas de corte sujeitas a uma manutenção adequada, com arestas de corte afiadas, bloqueiam com menos frequência e controlam-se com maior facilidade.
- g) **Utilize a ferramenta eléctrica, os acessórios e as peças de ferramenta, etc., de acordo com estas instruções, considerando as condições de trabalho e a tarefa a ser executada.** A utilização da ferramenta eléctrica para fins diferentes dos previstos pode resultar em situações perigosas.
- h) **Mantenha os punhos e as superfícies de fixação secas, limpas e sem óleo e gordura.** Os punhos e as superfícies de fixação não permitem o manuseamento e o controlo seguro da ferramenta em situações imprevistas.
- 5) Utilização e cuidados a ter com a ferramenta com bateria**
- a) **Recarregue apenas com o carregador especificado pelo fabricante.** Um carregador adequado para um tipo de bateria pode causar um incêndio se for utilizado com outra bateria.
- b) **Utilize apenas ferramentas eléctricas que tenham baterias especificamente concebidas.** A utilização de outro tipo de baterias pode causar ferimentos e incêndio.
- c) **Quando não utilizar a bateria, mantenha-a afastada de outros objectos metálicos, tais como cliques para papel, moedas, chaves, pregos, parafusos ou outros pequenos objectos metálicos que permitam fazer a ligação entre um terminal e outro.** O curto-circuito dos terminais da bateria pode causar queimaduras ou um incêndio.
- d) **Em condições abusivas, pode derramar líquido da bateria, devendo evitar o contacto. Se tocar acidentalmente no líquido, lave bem com água. Se o líquido entrar em contacto com os olhos, consulte um médico.** O líquido derramado da bateria pode causar irritação ou queimaduras.
- e) **Não utilize baterias ou ferramentas danificadas ou modificadas.** As baterias danificadas ou modificadas podem ter um comportamento inesperado, resultando em incêndio, explosão ou risco de ferimentos.
- f) **Não exponha as baterias ou as ferramentas a fogo ou a temperaturas excessivas.** A exposição a fogo ou a temperaturas superiores a 130 °C podem causar uma explosão. NOTA: a temperatura "130 °C" pode ser substituída pela temperatura "265 °F".
- g) **Siga todas as instruções de carregamento e não carregue a bateria ou a ferramenta fora do intervalo de temperaturas especificado nas instruções.** A carga inadequada ou de acordo com temperaturas fora do intervalo especificado pode danificar a bateria e aumentar o risco de incêndio.
- 6) Assistência**
- a) **A sua ferramenta eléctrica só deve ser reparada por pessoal qualificado e só devem ser utilizadas peças sobressalentes idênticas.** Desta forma, é garantida a segurança da ferramenta eléctrica.
- b) **Nunca repare baterias danificadas.** A reparação de baterias deve ser efectuada apenas pelo fabricante ou fornecedores de assistência autorizados.

## AVISOS DE SEGURANÇA SOBRE A MOTOSERRA TELESCÓPICA

- a) **Mantenha todas as partes do corpo afastadas da corrente da serra.** Não retire o material cortado nem segure no material a cortar quando a corrente da serra estiver a rodar. Quando retirar material encravado, assegure-se de que desligou ferramenta e retirou a bateria. Um momento de distração durante a utilização da motosserra pode resultar em ferimentos graves.
- b) **Segure na ferramenta eléctrica apenas pelas superfícies de fixação, porque a corrente da serra pode entrar em contacto com cablagem escondida.** Se a corrente da serra entrar em contacto com um fio com tensão eléctrica pode fazer com que as peças de metal expostas da ferramenta conduzam electricidade e electrocutem o operador.
- c) **Segure na ferramenta eléctrica com firmeza e posicione o seu corpo e o seu braço de forma a poder resistir ao efeito de recuo.** A força de re-

cuo pode ser controlada pelo operador, se forem tomadas as devidas precauções. Não liberte a motosserra telescópica.

- d) **Quando cortar um ramo, deve ter cuidado com o efeito de recuo.** Quando o ramo está perfurado, pode ficar dobrado e encravar a corrente da serra.
- e) **Quando transportar a motosserra, esta deve estar desligada, segure-a sempre com as duas mãos e coloque a cobertura da corrente da serra.** O manuseamento adequado da motosserra reduz a probabilidade de contacto accidental com a corrente da serra em movimento.
- f) **Não utilize a motosserra telescópica para cortar uma árvore.** Se utilizar a motosserra telescópica quando estiver a trepar ou em cima de uma árvore pode causar ferimentos.
- g) **Mantenha sempre uma posição firme e utilize apenas a motosserra quando estiver em cima de uma superfície fixa, segura e nivelada.** Superfícies escorregadias ou instáveis, como escadotes, podem causar perda de equilíbrio ou controlo da motosserra.
- h) **Siga as instruções de lubrificação, tensão da corrente e substituição dos acessórios.** Uma tensão ou lubrificação inadequadas podem partir ou aumentar a probabilidade de recuo.
- i) **Mantenha os punhos secos, limpos e sem óleo e gordura.** As pegas com gordura e óleo ficam escorregadias e podem causar perda de controlo.
- j) **Corte apenas madeira.** Não utilize a motosserra telescópica para finalidades para as quais não foi concebida. Exemplo: não utilize a motosserra para cortar plástico, alvenaria ou outros materiais de construção que não sejam de madeira. A utilização da motosserra telescópica para operações diferentes das previstas pode resultar em situações perigosas.
- k) **Causas e prevenção de recuo por parte do operador:**
- O efeito de recuo pode ocorrer se a ponteira ou a ponta da lâmina-guia tocar num objecto ou se a madeira se fechar e prender a corrente da serra na área de corte.
  - Em alguns casos, o contacto da ponta pode causar uma súbita reacção de inversão, levantando a lâmina-guia e para trás na direcção do operador.
  - O bloqueio da corrente da serra na parte superior da lâmina-guia pode empurrar de imediato a lâmina-guia para trás na direcção do operador.
- Qualquer uma destas reacções pode fazer com que perca o controlo da motosserra eléctrica e causar ferimentos graves. Como utilizador da motosserra, deve tomar várias precauções para impedir que ocorram acidentes ou ferimentos nas tarefas de corte.
- O efeito de recuo é o resultado de utilização incorrecta ou defeituosa do produto. O efeito de recuo pode ser evitado se tomar precauções adequadas, como indicado abaixo.**
- l) **Utilize apenas a correntes de serra sobresselentes especificadas pelo fabricante.** Se utilizar correntes de serra incorrectas, a corrente pode partir-se ou pode ocorrer o efeito de recuo.
- m) **Se a lâmina-guia estiver danificada ou for necessário substituí-la, contacte o seu fornecedor.**
- n) **Para impedir o arranque accidental da corrente da serra, a motosserra está equipada com um interruptor com um bloqueio mecânico.** Para utilizar a motosserra, deve carregar no botão de bloqueio antes da corrente da serra começar a rodar
- Só deve utilizar o produto depois de carregar no botão de bloqueio.
  - Não utilize a ferramenta apenas com uma mão. Segure no equipamento com firmeza com ambas as mãos; uma mão deve segurar no produto com firmeza e a outra deve utilizar o interruptor para ligar/desligar.
- o) **Nunca permita que crianças ou adultos com limitações físicas, sensoriais, mentais ou falta de experiência e/ou conhecimentos e/ou pessoas não familiarizadas com estas instruções para utilizar o produto.** Os regulamentos locais podem restringir a idade do operador.
- p) **As crianças devem estar acompanhadas, para garantir que não brincam com a máquina.**
- q) **Quando não utilizar o equipamento, mantenha-o afastado do alcance de crianças.**
- r) **Antes de utilizar o equipamento, verifique a área de trabalho e retire todos os possíveis perigos.**
- s) **Antes de pousar a máquina, deve aguardar até a máquina parar por completo e depois retire a bateria.** A corrente da serra pode ficar encravada ou recuar e causar perda de controlo da máquina.
- t) **Quando mudar de posição de trabalho, desligue a corrente da serra.**
- u) **Um ramo cortado pode causar ferimentos se cair em cima de si ou fizer ricochete no chão.**

Corte os ramos mais compridos em pedaços mais pequenos.

- v) **Reduza a força antes do ramo ser cortado por completo.** Pode ficar ferido se perder o equilíbrio e o controlo da motosserra.
- w) **Não pendure o equipamento numa árvore quando não estiver a utilizá-lo.** Coloque sempre a ferramenta no chão num local seguro sem retirar a bateria.

#### AVISOS ADICIONAIS DE SEGURANÇA

- a) **Esta ferramenta não é concebida para utilização por pessoas (incluindo crianças) com capacidades físicas, sensoriais ou mentais reduzidas ou com falta de experiência e conhecimentos,** a menos que tenham recebido supervisão ou instruções relacionadas com a utilização do equipamento por uma pessoa responsável pela sua segurança. As crianças devem estar acompanhadas, para garantir que não brincam com o equipamento.
- b) **Quando utilizar a máquina, segure-a sempre com firmeza com ambas as mãos e coloque-se numa posição com firmeza.** A ferramenta eléctrica é orientada de maneira mais firme com ambas as mãos.
- c) **Quando utilizar a máquina, certifique-se sempre de que todas as pegas e protecções estão instaladas.** Nunca tente utilizar uma máquina incompleta ou uma máquina que tenha montada de acordo com uma modificação não autorizada.
- d) **Antes de utilizar o equipamento, lubrifique sempre a corrente da serra com um spray de protecção.**
- e) **Aguarde sempre até a máquina parar por completo antes de pousá-la.**
- f) **Quando a máquina estiver a ser utilizada, as outras pessoas e animais devem manter-se a uma distância de 3 metros ou mais.** O operador é responsável por terceiros na área de trabalho.
- g) **Nunca agarre na corrente da serra.**
- h) **As crianças ou pessoas não familiarizadas com estas instruções não devem utilizar a motosserra.** Os regulamentos locais podem restringir a idade do operador.
- i) **O utilizador é responsável por acidentes ou riscos que ocorram noutras pessoas ou respectiva propriedade.**
- j) **Não utilize a motosserra se estiver descalço ou estiver a usar sandálias abertas, use**

#### **sempre calçado robusto e calças compridas.**

É recomendável usar luvas robustas, calçado anti-derrapante e óculos de segurança. Não use jóias ou roupa solta; podem ficar presas nas peças móveis.

- k) **Inspeccione com muita atenção a área onde a motosserra vai ser utilizada e retire todos os fios e outros objectos estranhos.**
- l) **Antes da operação, verifique se a corrente da serra, a lâmina-guia e as cavilhas apresentam sinais de desgaste ou danos.** Não utilize o equipamento com uma serra de corrente danificada ou demasiado gasta.
- m) **Saiba como parar a motosserra numa situação de emergência.**
- n) **Só deve utilizar a motosserra com luz natural ou se houver luz artificial adequada.**
- o) **Nunca utilize a motosserra com protecções defeituosas ou sem a protecção instalada.**
- p) **Nunca segure na motosserra pela protecção.**
- q) **Quando utilizar a motosserra telescópica, mantenha-se sempre numa posição firme e bem equilibrada.**
- r) **Esteja sempre atento à área em redor e preste atenção a possíveis riscos que possa não ouvir durante a utilização da motosserra.**
- s) **Mantenha todas as porcas, cavilhas e parafusos apertados para garantir que a motosserra está em boas condições de funcionamento.**
- t) **A motosserra telescópica deve ser armazenada num local seco, elevado, trancado e fora do alcance das crianças.**
- u) **Por motivos de segurança, substitua as peças gastas ou danificadas.**
- v) **Só deve reparar a máquina se estiver devidamente qualificado.**
- w) **Segure no produto com firmeza com ambas as mãos.**

#### AVISOS DE SEGURANÇA SOBRE A BATERIA

- a) **Não abra a bateria.** Perigo de curto-circuito.
- b) **Proteja a bateria do calor, por exemplo, contra exposição contínua a luz solar, fogo, água e humidade.** Perigo de explosão.
- c) **Em caso de danos e uso inadequado da bateria, podem ser emitidos vapores. Ventile a área e contacte um médico se houver queixas.** Os vapores podem irritar o sistema respiratório.
- d) **Utilize a bateria em conjunto com o seu produto industrial da Vonroc.** Esta é a única protecção contra sobrecarga perigosa.

- e) **A bateria pode ser perfurada por objectos danificados como pregos ou chaves de parafusos ou se for aplicada força externa.** Pode ocorrer um curto-circuito interno e a bateria pode queimar, causar fumo, explodir ou sobreaquecer.

**AVISOS DE SEGURANÇA SOBRE O CARREGADOR**  
**Utilização pretendida**

Deve utilizar apenas as baterias recarregáveis CD801AA e CD803AA no carregador. Outros tipos de baterias podem rebentar, causando ferimentos e danos.

- a) **O equipamento não deve ser utilizado por pessoas (incluindo crianças) com capacidades físicas, sensoriais ou mentais reduzidas ou com falta de experiência e conhecimentos, a menos que tenham supervisão ou instrução.**
- b) **As crianças devem ser vigiadas, para que não brinquem com o equipamento.**
- c) **Não recarregue baterias não recarregáveis!**
- d) **Durante o carregamento, as baterias devem ser colocadas em locais bem ventilados!**

**Segurança eléctrica**



*Verifique sempre se a tensão da fonte de alimentação corresponde à tensão na placa sinalética.*

- Não utilize a máquina se o cabo de alimentação ou a ficha estiver danificada.
- Utilize apenas extensões que sejam adequadas para a potência nominal da máquina com uma espessura mínima de 1,5 mm<sup>2</sup>. Se utilizar um enrolador de extensão, desenrole sempre o cabo por completo.

**2. INFORMAÇÕES SOBRE A MÁQUINA**

**Utilização pretendida**

A máquina é concebida para utilização doméstica, cortar e aparar árvores e arbustos a uma altura elevada, com o utilizador situado ao nível do solo. A máquina não é concebida para ser utilizada numa escada ou escadote. A máquina não é concebida para cortar material inorgânico. Esta ferramenta não é concebida para uso comercial ou industrial.

**ESPECIFICAÇÕES TÉCNICAS**





*Este manual foi elaborado para conjuntos/números de artigos diferentes. Verifique o número do artigo correspondente na tabela de especificações indicada abaixo para obter a composição e conteúdos correctos do seu conjunto.*

Modelo n.º	Baterias incluídas	Carregadores incluídos
CS504DC	-	-
S_CS504DC	CD801AA	CD802AA
S2_CS504DC	2 CD801AA	CD802AA
S3_CS504DC	CD803AA	CD802AA

Informações sobre a máquina	
Tensão	20 V
Velocidade da corrente	5 m/s
Comprimento da lâmina-guia	200 mm
Comprimento da corrente	44T
Passo da corrente	1/4"
Calibre da corrente	0,043"
Regulação em comprimento	200 - 260 cm
Nível de pressão sonora (LpA)	78,2 dB, K = 3 dB
Nível de pressão sonora (LWA)	88 dB (A), K = 3 dB (A)
LWA garantido	91 dB
Vibração	pega dianteira a <sub>n</sub> = 2,74 m/s <sup>2</sup> pega traseira a <sub>n</sub> = 2,69 m/s <sup>2</sup> K = 1,5 m/s <sup>2</sup>
Peso	2,3 kg

Modelo n.º	CD801AA
Tipo de bateria	lões de lítio
Tensão	20 V
Capacidade	2,0 Ah
Carregador recomendado	CD802AA
Peso	0,3 kg

Modelo n.º	CD802AA
Entrada do carregador	220 - 240 V, 50 Hz, 0,4 A
Saída do carregador	21 V  2,5 A
Tempo de carregamento de uma bateria de 2 Ah	60 minutos
Tempo de carregamento de uma bateria de 4 Ah	120 minutos
Baterias recomendadas	CD801AA, CD803AA
Peso	0,36 kg

Modelo n.º	CD803AA
Tipo de bateria	Iões de lítio
Tensão	20 V 
Capacidade	4,0 Ah
Carregador recomendado	CD802AA
Peso	0,65 kg

Utilize apenas as seguintes baterias da plataforma de baterias VONROC VPOWER, 20 V. A utilização de quaisquer outras baterias podem causar ferimentos graves ou danos na ferramenta.

CD801AA Iões de lítio, 20 V, 2 Ah  
CD803AA Iões de lítio, 20 V, 4 Ah

O seguinte carregador pode ser utilizado para carregar estas baterias.

CD802AA Carregador rápido

As baterias da plataforma de baterias VPOWER de 20 V da VONROC podem ser utilizadas com todas as ferramentas da plataforma de baterias VPOWER de 20 V da VONROC.

### DESCRIÇÃO

Os números indicados no texto dizem respeito aos diagramas indicados na páginas 2 a 5.

1. Cabeça da motosserra
2. Botão de regulação da cabeça
3. Anel de fixação da cabeça
4. Corrente da serra
5. Lâmina-guia da motosserra
6. Tampa do depósito de óleo
7. Alavanca de fixação da pega
8. Interruptor de alimentação

9. Pega telescópica
10. Conector de alimentação
11. Alça de ombro
12. Mosquetão
13. Cobertura da corrente
14. Bateria
15. Carregador da bateria
16. Patilha de libertação da bateria
17. Botão dos indicadores LED da bateria
18. Indicadores LED da bateria
19. Indicadores LED do carregador

### 3. MONTAGEM



*Antes de efectuar qualquer tarefa (manutenção, substituir a ferramenta, montagem) na ferramenta eléctrica, retire a bateria da ferramenta eléctrica.*



*A bateria deve ser carregada antes de utilizá-la pela primeira vez.*

#### Inserir a bateria na máquina (Fig. B-1)

A parte exterior da bateria deve estar limpa e seca antes de ligá-la ao carregador ou máquina.

1. Insira a bateria (14) na base da máquina, como indicado em Fig. B-1.
2. Empurre a bateria ainda mais até encaixar no respectivo local.

#### Retirar a bateria da máquina (Fig. B-1)

1. Carregue na patilha de libertação da bateria (16).
2. Retire a bateria da máquina, como indicado na Fig. B-1.

#### Verificar o estado da carga da bateria (Fig. B-2)

- Para verificar o estado de carga da bateria, carregue ligeiramente no botão (17) na bateria.
- A bateria tem 3 indicadores luminosos que mostram o nível de carga, quanto maior for o número de indicadores luminosos acesos, maior é a carga restante na bateria.
- Se os indicadores luminosos não se acenderem, isso significa que a bateria não tem carga e que deve carregá-la de imediato.

#### Carregar a bateria com o carregador (Fig. B-2)

1. Retire a bateria (14) da máquina.
2. Vire a a bateria (14) ao contrário e encaixe-a dentro do carregador (15), como indicado na Fig. B-2.



3. Empurre a bateria até ficar totalmente encaixada na ranhura.
4. Ligue a ficha do carregador numa tomada eléctrica e aguarde alguns instantes. Os indicadores LED no carregador (19) acendem-se e mostram o estado de carregador.

- Fixe a cabeça da motosserra (1), rodando o anel de fixação (3) para a direita



*Nunca aperte o cinto na diagonal ao longo do ombro e peito, coloque-o num dos ombros. Assim pode retirar rapidamente a ferramenta do seu corpo em caso de perigo.*

**O carregador tem 2 indicadores LED (19), que indicam o estado do processo de carregamento:**

Estado do LED vermelho	Estado do LED verde	Estado do carregador
Desligado	Desligado	Sem energia
Desligado	Ligado	Modo de espera: - A bateria não está inserida ou: - a bateria foi inserida, o carregamento foi concluído
Ligado	Desligado	Carregamento da bateria em curso

- O carregamento total da bateria de 2 Ah pode demorar até cerca de 60 minutos.
- O carregamento total da bateria de 4 Ah pode demorar até cerca de 120 minutos.

Quando a bateria estiver totalmente carregada, retire a ficha do carregador da tomada e retire a bateria do carregador.



*Se não utilizar a máquina durante um período de tempo mais prolongado, é aconselhável armazenar a bateria no estado carregado.*

**Montagem da ferramenta (Fig. C, D)**

- Coloque a alça de ombro (11) no laço da pega (9) com o mosquetão (12).
- Liberte o anel de fixação da cabeça (3) rodando-o para a esquerda. Não retire o anel da cabeça por completo.
- Instale a cabeça da motosserra (1) na pega telescópica (9), inserindo o conector de alimentação (10) na cabeça.
- Se o conector (10) não for inserido correctamente, pode não haver ligação eléctrica e a ferramenta não funciona. Certifique-se de que o conector de alimentação está totalmente inserido na cabeça da motosserra. O parafuso (20) na pega deve ser tapado pela cabeça da motosserra (1) e o anel de fixação (3).

**Regular a altura telescópica (Fig. E-1, E-2)**

- Desbloqueie a alavanca (7) para libertar a pega telescópica (9).
- Estique ou recolha a pega telescópica (9) para o comprimento pretendido.
- Para fixar a pega telescópica, bloqueie a alavanca (7).

**Regular a cabeça articulada da motosserra (Fig. F-1, F-2)**

- Carregue no botão (2) na parte lateral da cabeça da motosserra (1).
- Regule a cabeça para a posição pretendida.
- Liberte o botão (2) e certifique-se de que a cabeça está bloqueada no respectivo local.

**4. FUNCIONAMENTO**

**Antes de utilizar (Fig. G)**

Retire a cobertura da corrente (13) e verifique o nível de óleo no depósito (6). Não utilize a serra se o depósito de óleo estiver vazio. Utilize apenas óleo para motosserras biodegradável. Verifique se a tensão da corrente (4) está correcta. A corrente tem a tensão correcta se conseguir levantá-la cerca de 2 ou 3 mm com a mão no centro da lâmina-guia (5).

**Ligar e desligar**

Segure sempre na motosserra telescópica com ambas as mãos. Agarre na pega telescópica (9) com uma mão e coloque a outra mão perto do interruptor de alimentação. Prima e mantenha premido o interruptor de alimentação (8) para utilizar a máquina. Quando o interruptor de alimentação é libertado, a máquina pára automaticamente.

**Durante a utilização**

A motosserra deve atingir a velocidade necessária antes de entrar em contacto com a madeira. Não force a motosserra durante o corte. Mantenha a máquina a uma velocidade estável e deixe a corrente fazer o corte. Verifique com frequência o nível de óleo no depósito e ateste-o para que não fique

vazio. Quando serrar ranhos grandes/compridos, é recomendável fazê-lo por partes.

### Após a utilização

Limpe a sujidade e os resíduos da corrente (4) com uma escova ou um pano. Lubrifique a cobertura da corrente (13) e retire a bateria (14) antes de guardar a máquina. Para evitar fugas de óleo quando a máquina estiver guardada, retire o óleo restante do depósito (6) num recipiente adequado.

## 5. MANUTENÇÃO



*Antes de efectuar a limpeza e a manutenção, desligue sempre a máquina e retire a bateria da máquina.*

Limpe a caixa da máquina com frequência com um pano macio, de preferência após cada utilização. Certifique-se de que as aberturas de ventilação não têm pó ou sujidade. Retire a sujidade muito persistente com um pano macio humedecido com água de sabão. Não utilize solventes, como gasolina, álcool, amoníaco, etc. Este tipo de produtos químicos danificam os componentes sintéticos da máquina.

### Regular a tensão da corrente da serra (Fig. H)

O desgaste normal faz com que a corrente dilate lentamente ao longo do tempo. A motosserra está equipada com um mecanismo de tensão para compensar esta dilatação. Rode o parafuso de tensão da corrente (21) na parte da frente da máquina para regular a tensão da corrente. A corrente (4) tem a tensão correcta se conseguir levantá-la cerca de 2 ou 3 mm com a mão no centro da lâmina-guia (5). Se o mecanismo de tensão já não conseguir compensar por completo a dilatação, isso significa que a corrente está gasta e que deve ser substituída.

### Substituir a corrente da serra (Fig. H)

1. Desaperte o parafuso (22) e retire a cobertura (23).
2. Retire a corrente (4) e a lâmina-guia da motosserra (5). Deite fora a corrente antiga.
3. Coloque a nova corrente à volta da lâmina-guia. Assegure-se de que o tamanho da nova corrente está correcto e verifique a direcção de funcionamento correcta da corrente.

4. Coloque a corrente sobre a roda motora e encaixe de novo a lâmina-guia.
5. Assegure-se de que todas as peças estão encaixadas correctamente e volte a colocar a cobertura (23) e aperte o parafuso (22).
6. Verifique a tensão da corrente e regule-a se for necessário.

### Armazenamento

A motosserra telescópica deve ser guardada num local seguro e seco, bem afastada do alcance das crianças. Não coloque outros objectos em cima das ferramentas. Tenha em atenção que a tampa do depósito de óleo (6) tem uma abertura de ventilação. A máquina deve ser guardada na horizontal, com a tampa do depósito virada para cima para evitar fugas de óleo pela abertura na tampa. Como alternativa, se for necessário guardar a máquina numa posição diferente, o óleo deve ser drenado para um recipiente adequado para evitar fugas quando estiver guardado.

## AMBIENTE



*Os equipamentos eléctricos ou electrónicos defeituosos e/ou eliminados devem ser recolhidos em locais de reciclagem adequados.*

### Apenas para os países da CE

Não elimine as ferramentas eléctricas em conjunto com os resíduos domésticos. De acordo com a directiva europeia 2012/19/CE sobre resíduos de equipamentos eléctricos e electrónicos e a respectiva implementação na legislação nacional, as ferramentas eléctricas que já não sejam utilizadas devem ser recolhidas em separado e eliminadas de maneira ecológica.

## GARANTIA

Os produtos da VONROC são desenvolvidos de acordo com os padrões de qualidade mais elevados e não apresentam quaisquer defeitos em termos de materiais e mão-de-obra em relação ao período estipulado por lei, cujo início é a partir da data de compra original. Se o produto apresentar qualquer falha durante este período devido a qualquer defeito no material e/ou de mão-de-obra, contacte a VONROC directamente.

As seguintes circunstâncias estão excluídas desta garantia:

- Se forem efectuadas ou tentadas quaisquer reparações e/ou alterações na máquina por centros de assistência não autorizados;
- Desgaste normal;
- Se a ferramenta foi utilizada de maneira abusiva, indevida ou a manutenção for efectuada de maneira incorrecta;
- Se forem utilizadas peças sobresselentes não originais.

Isto constitui a única garantia feita pela empresa, de maneira expressa ou implícita. Não existem quaisquer outras garantias expressas ou implícitas que se prolonguem, incluindo as garantias implícitas de comercialização e adequação para fins específicos. A VONROC não será, em nenhuma circunstância, responsável por danos incidentais ou indirectos. Os fornecedores devem estar limitados a reparar ou substituir as unidades ou peças que não estejam em conformidade.

**O equipamento e o manual do utilizador estão sujeitos a alterações sem aviso prévio. As especificações podem ser alteradas sem aviso prévio.**

## 1. BIZTONSÁGI UTASÍTÁSOK

Olvassa el az összes mellékelt biztonsági figyelmeztetést. A figyelmeztetések és utasítások be nem tartása áramütéshez, tűz keletkezéséhez vagy akár súlyos személyi sérüléshez vezethet. Őrizze meg a biztonsági figyelmeztetéseket és utasításokat későbbre is.

A használati útmutatóban és a terméken a következő jelölésekkel találkozhat:



*Olvassa el a használati útmutatót.*



*Jelzi a személyi sérülések, az életveszély vagy a szerszám károsodásának veszélyét.*



*Áramütés veszélye.*



*Max hőmérséklet 45 °C.*



*Az akkumulátort tűzbe dobni tilos.*



*Az akkumulátort vízbe dobni tilos.*



*Vegyen fel fejjvédő eszközt.*



*Viseljen biztonsági szemüveget.*



*Esőtől védje.*



*Kezeit tartsa távol a vágókéstől.*



*Ügyeljen a felrepített tárgyra. Tartsa távol a nézelődőket.*



*Tartsa távol a terméket a nagyfeszültségű vezetékektől!*



*Minimális távolság 10 méter.*



*II. osztályú berendezés. Kettős szigetelés, nincs szükség dugóra.*



*Késleltetett mini biztosítóbetét.*



*Li-ion akkumulátor szelektív gyűjtése.*



*A terméket hulladékként ne tegye arra nem alkalmas konténerbe.*



A termék megfelel az európai irányelvek rá vonatkozó biztonsági követelményeinek.

## AZ ELEKTROMOS GÉPEKRE VONATKOZÓ ÁLTALÁNOS BIZTONSÁGI FIGYELMEZTETÉSEK



**FIGYELMEZTETÉS! Olvasson el minden biztonsági figyelmeztetést és utasítást.**

A biztonsági figyelmeztetések és útmutatások be nem tartása áramütést, tüzet és/vagy súlyos sérülést okozhat.

**Az összes figyelmeztetést és utasítást őrizze meg, mert később még szüksége lehet rájuk.**

A figyelmeztetésekben szereplő „elektromos szerző” kifejezés az Ön hálózatról működő (vezetékes) elektromos szerzőmára vagy akkumulátorral működő (vezeték nélküli) elektromos szerzőmára utal.

### 1) A munkaterület biztonsága

- Gondoskodjon a munkaterület tisztaságáról és megfelelő megvilágításáról.** A rendezetlen és sötét területeken valószínűbb a balesetek előfordulása.
- Ne használjon elektromos szerzőt robbanásveszélyes környezetben (pl. gyúlékony folyadékok, gázok és por jelenlétében).** Az elektromos szerzők használata során keletkező szikra lángra lobbanthatja a port és füstöt.
- Az elektromos szerző használata során a gyermekeket és a közelben tartózkodó személyeket tartsa távol a munkaterülettől.** Ha valami eltereli a figyelmét, elveszítheti az irányítást.

### 2) Elektromos biztonság

- Az elektromos szerző dugóinak megfelelőnek kell lenniük az aljzathoz. Soha ne módosítsa a csatlakozódugót semmilyen módon. Földelt elektromos szerzőmához ne használjon semmilyen adapterdugót.** Az eredeti (értsd: módosítás nélküli) dugók és megfelelő hálózati aljzatok használatával mérsékelhető az elektromos áramütés veszélye.
- Testével ne érjen földelt vagy testelt felületekhez, például csövekhez, radiátorokhoz, tűzhelyekhez vagy hűtőszekrényekhez.** Ha teste földelődik, megnő az áramütés kockázata.
- Óvja az elektromos szerzőt az esőtől és nedves környezettől.** Az elektromos szerzőmába kerülő víz növeli az elektromos áramütés veszélyét.

- Ne használja erőszakosan a kábelt. A kábelt soha ne használja az elektromos szerzőm hordozására, húzására vagy az aljzathoz történő kihúzására. A kábelt tartsa távol hőforrásoktól, olajtól, hegyes élektől és mozgó alkatrészekről.** A sérült vagy megtekeredett kábelek növelik az elektromos áramütés veszélyét.
- Az elektromos szerzőm kültéri használata esetén kültéri használatra alkalmas hosszabító kábelt használjon.** A kültéri használatra alkalmas kábel használatával mérsékelhető az elektromos áramütés veszélye.
- Ha az elektromos szerzőt mindenképpen nedves környezetben kell használni, akkor használjon áramvédő kapcsolóval (RCD) ellátott tápforrást.** Az áramvédő kapcsolóval ellátott tápforrás használatával mérsékelhető az elektromos áramütés veszélye.

### 3) Személyi biztonság

- Az elektromos szerzőm használata során maradjon éber, koncentráljon az éppen végzett műveletre és használja a józan ítélőképességét. Ha fáradt, vagy ha kábítószert, alkoholt vagy gyógyszer hatása alatt áll, ne használjon elektromos szerzőt.** Az elektromos szerzők használata közben egyetlen pillanatnyi figyelmetlenség is súlyos személyi sérülést okozhat.
- Használjon egyéni védőeszközöket. Mindig viseljen szemvédő felszerelést.** A megfelelő körülményekhez való védőeszközökkel (például pormaszkkal, csúszásgátló biztonsági cipővel, munkavédelmi sisakkal vagy hallásvédő eszközzel) csökkenthető a személyi sérülések kockázata.
- Gondoskodjon a gép véletlen elindulásának a megelőzéséről. A szerzőm tápforráshoz és/vagy akkumulátorcsomaghoz történő csatlakoztatása, kézbevétele vagy hordozása előtt győződjön meg róla, hogy a kapcsoló OFF (kikapcs.) állásban van.** Ha úgy hordozza az elektromos szerzőt, hogy az ujjja a kapcsolón van, vagy úgy helyezi feszültség alá, hogy a kapcsolója ON (bekapcs.) helyzetben van, ez növeli a balesetek kockázatát.
- Az elektromos szerzőm bekapcsolása előtt távolítsa el a csavarkulcsokat vagy beállító kulcsokat.** Az elektromos szerzőm forgó alkatrészein felejtett csavarkulcs vagy beállító kulcs személyi sérülést okozhat.

- e) **Ne próbáljon túlnyújtóztatva vagy kitekeredett testhelyzetben dolgozni. Mindig két lábbal, egyensúlyát megtartva álljon a talajon.** Így könnyebben tudja irányítani az elektromos szerszámot a váratlan helyzetekben.
- f) **Viseljen megfelelő öltözetet. Ne viseljen laza ruhát vagy ékszert. Haját, ruháját és kesztyűjét tartsa távol a mozgó alkatrészekről.** A mozgó alkatrészek behúzzhatják a ruhákat, az ékszereket és a hosszú haját.
- g) **Ha a szerszámhoz porelszívó és porgyűjtő eszközt is lehet csatlakoztatni, akkor gondoskodjon ezek csatlakoztatásáról és megfelelő használatáról.** A porgyűjtő rendszerek használatával csökkenthetők a porral kapcsolatos veszélyek.
- h) **Ne engedje, hogy a szerszámok gyakori használata során szerzett tapasztalatai túlzott biztonságérzetet keltsenek Önben, és amiatt elhanyagolja a biztonsági alapelveket.** A gondatlan cselekvés már a másodperc törtrésze alatt is súlyos sérülést okozhat.
- 4) Az elektromos szerszám használata és ápolása**
- a) **Az elektromos szerszámot tilos túlzott erő-kifejtéssel használni. Az alkalmazási célnak megfelelő elektromos szerszámot használjon.** A megfelelő elektromos szerszám biztonságosabban és hatékonyabban végzi a munkát azon a fordulatszámon, amire azt tervezték.
- b) **Ne használja az elektromos szerszámot, ha az nem kapcsolható be/ki a ki-/bekapcsoló gombbal.** Bármely elektromos szerszám veszélyes lehet, amit a kapcsolóval nem lehet irányítani, ezért az ilyen elektromos szerszámot meg kell javíttatni.
- c) **Válassa le a dugót a tápforrásról és/vagy az akkumulátorcsomagot az elektromos szerszámról, mielőtt bármilyen módosítást végez, tartozékot cserél vagy eltávolítja az elektromos szerszámot.** Ezekkel a megelőző biztonsági intézkedésekkel csökkenthető az elektromos szerszám véletlen elindulásának a kockázata.
- d) **Az éppen nem használt elektromos szerszámot olyan helyen tárolja, ahol a gyermekek nem férhetnek hozzájuk, és ne engedje, hogy olyan személyek használják a elektromos szerszámot, akik nem ismerik az elektromos szerszámot és ezeket az utasításokat.** Az elektromos szerszámok rendkívül veszélyesek lehetnek szakképzetlen felhasználók kezeiben.
- e) **Tartsa karban az elektromos szerszámokat. Ellenőrizze, hogy a mozgó alkatrészek nem állítódtak-e el vagy nem szorulnak-e, nincsenek-e a szerszámon törött alkatrészek, és nem állnak-e fenn olyan körülmények, amelyek befolyásolhatják a szerszám működését. Ha az elektromos szerszám sérült, használat előtt javíttassa meg.** A nem megfelelően karbantartott elektromos szerszámok számos balesetet okoznak.
- f) **Tartsa élesen és tisztán a vágószerszámokat.** A megfelelően karbantartott, éles vágószerszámok beszorulásának kisebb a valószínűsége, ráadásul könnyebben irányíthatók.
- g) **Az elektromos szerszámot, tartozékokat és szerszámszárazakat stb. a használati útmutatónak megfelelően használja, a munkakörülmények és az elvégzendő feladat figyelembevételével.** Ha az elektromos szerszámot a rendeltetési céljától eltérően használják, ez veszélyhelyzetet teremthet.
- h) **Tartsa a fogantyúkat és egyéb markolási felületeket szárazon, tisztán, olajtól és zsírtól mentesen.** Váratlan helyzetekben a csúszós fogantyúk és egyéb markolási felületek akadályozzák a szerszám biztonságos kezelését és irányítását.
- 5) Az akkumulátoros szerszám használata és ápolása**
- a) **Újratöltéshez csak a gyártó által megjelölt töltőt használja.** Az egyik akkumulátorhoz megfelelő töltő másikkal töltővel használva tűzveszélyes lehet.
- b) **Csak a kifejezetten hozzájuk készült akkumulátorral használja az elektromos szerszámokat.** Bármilyen másfajta akkumulátor használata tűz- és balesetveszélyt idézhet elő.
- c) **Amikor az akkumulátor nincs használatban, óvja olyan más fém tárgyaktól, mint a gémkapocs, a pénzérme, kulcs, szög, csavar és más kis fém tárgyak, amely a két kapcsot össze képes kötni.** Az akkumulátor kapcsok rövidre zárása égési sérülést vagy tüzet okozhat.
- d) **Nem előírászerű körülmények között az akkumulátorból folyadék szivároghat; kerülje a vele való érintkezést. Ha véletlenül mégis a bőrre kerül, vízzel öblítse le. Ha a folyadék szembe kerül, forduljon orvoshoz is.** Az akkumulátorból származó folyadék bőrizgató hatású, égési sérülést is okozhat.
- e) **Sérült vagy átalakított akkucsomagot és szerszámot ne használjon.** A sérült vagy átalakított akkumulátorok kiszámíthatatlanul viselkedhetnek, tüzet, robbanást vagy sérülést okozhatnak.

- f) **Tűztől és szélsőséges hőmérséklettől óvja az akkucsomagot és a szerszámot.** Ha tűznek vagy 130 °C-on felüli hőmérsékletnek teszi ki, robbanást okozhat. MEGJEGYZÉS: a „130 °C” „265 °F”-nak (Fahrenheit foknak) felel meg.
- g) **Tartsa be a töltésre vonatkozó összes útmutatást, és ne töltsze az akkucsomagot a kezelési útmutatóban megadott tartományon kívül eső hőmérséklet mellett.** Nem megfelelő vagy a megadott tartományon kívüli hőmérséklet mellett történő töltés károsíthatja az akkumulátort, és tűzveszéllyel jár.
- 6) Szerviz**
- a) **Az elektromos szerszámot képzett javító szakemberrel javíttassa, csakis az eredetivel azonos pótalkatrészeket használjon fel.** Ez biztosítja, hogy az elektromos szerszám továbbra is biztonságos maradjon.
- b) **Sérült akkucsomagot soha ne szervizeljen.** Akkucsomagok szervizelését csak a gyártó vagy annak megbízott szolgáltatója végezheti.

## TELESZKÓPOS LÁNCFŰRÉSZRE VONAKOZÓ BIZTONSÁGI FIGYELMEZTETÉSEK

- a) **Tartsa távol minden testrészét a láncfűrészről.** Ne távolítsa el a vágott anyagot, és ne tartsa a vágandó anyagot, amikor a láncfűrész mozgásban van. Mielőtt eltömődést okozó anyagot távolít el, győződjön meg arról, hogy a szerszámot kikapcsolta, és az akkucsomagot eltávolította. A láncfűrész használata közben egyetlen pillanatnyi figyelmetlenség is súlyos személyi sérülést okozhat.
- b) **Az elektromos szerszámot csak a szigetelt markolási felületeinél fogja, mert előfordulhat, hogy a láncfűrész rejtett vezetékbe ütközik.** Ha a láncfűrész feszültség alatt levő vezetékhez ér, a termék fém részei feszültség alá kerülnek, és a kezelőt áramütés érheti.
- c) **Mindkét kezével markolja meg erősen, és tartsa úgy a karját, illetve úgy álljon az elektromos szerszám mellett, hogy ellen tudjon állni a visszarúgás erejének.** A kezelő a visszarúgás erejét megfelelő óvintézkedésekkel le tudja győzni. Ne engedje el a teleszkópos láncfűrész.
- d) **Ágvágásnál figyeljen a visszarúgásra.** Az ág átvágásánál az lehajolhat és megakaszthatja a láncfűrész.
- e) **A láncfűrész kikapcsolt állapotban, mindig mindkét kezével tartva, a burkolatot felhelyezve hordozza.** A láncfűrész megfelelő kezelése által kisebb a mozgó fűrészlánccal történő véletlen érintkezés valószínűsége.
- f) **Ne működtesse a teleszkópos láncfűrész fára mászva.** A teleszkópos láncfűrész fára mászás vagy fán való tartózkodás közbeni használata személyi sérüléshez vezethet.
- g) **Mindig két lábbal, egyensúlyát megtartva álljon, és csak akkor működtesse a láncfűrész, ha stabil, biztonságos és vízszintes a talaj.** Az olyan csúszós vagy instabil felszínnek, mint például a létra, egyensúlyvesztést vagy a láncfűrész feletti uralmának elvesztését okozhatják.
- h) **Kövesse az olajozásra, a láncfeszesedésre és a tartozékok cseréjére vonatkozó útmutatásokat.** A helytelenül megfeszített vagy lekent lánc eltörhet vagy növelheti a visszarúgás kockázatát.
- i) **Tartsa a fogantyúkat szárazon, tisztán, olajtól és zsírtól mentesen.** A zsíros markolat csúszóssá válhat, ami a gép feletti irányítás elvesztését eredményezheti.
- j) **Kizárólag fát vágjon.** Ne használja a teleszkópos láncfűrész a rendeltetészerű használatnak nem megfelelő célokra. Például ne használja a láncfűrész műanyag, falazó anyag vagy más, nem fából készült építőanyag vágására. Ha a teleszkópos láncfűrész a rendeltetési céljától eltérően használják, ez veszélyhelyzetet teremthet.
- k) **A visszarúgás okai és kezelő általi megelőzése:**
- Visszarúgás akkor fordulhat elő, ha a vezetőlemez orra vagy hegye egy tárgyhoz hozzáér, vagy ha a fa összezár és a fűrészlánc vágás közben beszorul.
  - A hegyvel való érintkezés bizonyos esetekben hirtelen visszahatást eredményezhet, amely visszarúgja a vezetőlemez felfelé és vissza a kezelő irányába.
  - Ha a fűrészlánc a vezetőlemez felső rész mentén becsípődik, a vezetőlemez gyorsan visszalökheti a kezelő felé.
- Az ilyen visszahatások esetén elveszítheti az uralmat a teleszkópos láncfűrész felett, ami súlyos személyi sérüléshez vezethet. A láncfűrész felhasználójaként számos lépést meg kell tennie annak érdekében, hogy a vágási munkák baleset- és sérülésmentesek legyenek.
- A visszarúgás a termék helytelen vagy hibás használatából ered. A visszarúgás elkerülhető az alábbi óvintézkedések megfelelő betartásával.**
- l) **Csak a gyártó által megjelölt csereláncot használjon.** A nem megfelelő fűrészlánc a lánc töréséhez vagy visszarúgáshoz vezethet.

- m) **Sérült, vagy cserére szoruló vezetőlemez esetén forduljon kereskedőjéhez.**
- n) **A véletlen működés megakadályozása érdekében a láncfűrész mechanikus reteszelésű kapcsolóval rendelkezik.** A láncfűrész használatához a működtetés előtt a reteszgombot meg kell nyomni
- Ne használja a terméket a reteszgomb megnyomása nélkül.
  - Ne működtesse a szerszámot egy kézzel. Mindkét kezével biztonságosan tartsa a terméket; egyik kezével tartsa a gépet biztonságosan, a másikkal pedig nyomja meg az üzemi kapcsolót.
- o) **Soha ne engedje, hogy gyermekek, illetve fizikai, érzékszervi vagy értelmi funkcióképességükben korlátozott, tapasztalatlan, kellő tudással nem rendelkező vagy a jelen használati utasítást nem ismerő személyek használják a terméket.** A gépkezelő életkorára vonatkozóan a helyi szabályozások is fogalmazhatnak meg korlátozásokat.
- p) **Felügyeljük a gyermekeket, hogy ne játszhassanak a géppel.**
- q) **A teleszkópos láncfűrész használaton kívül gyermekektől elzárva tartandó.**
- r) **Használat előtt ellenőrizze a munkaterületet és távolítsa el minden lehetséges veszélyt jelentő tárgyat.**
- s) **Mindig várja meg a gép teljes leállítását és távolítsa el az akkumulátort, mielőtt a gépet letenné.** A fűrészlánc elakadhat vagy visszaruhát, és ilyenkor fennáll a veszélye, hogy Ön elveszíti az irányítását a gép felett.
- t) **Kapcsolja ki a láncfűrész, ha munkapozíciót vált.**
- u) **A levágott ágak személyi sérülést okozhatnak, ha Önre esnek, vagy visszapatannak a földről.** A hosszabb ágakat részletekben vágja le.
- v) **Csökkentse az erőfeszítést, mielőtt teljesen átvágná az ágot.** Az egyensúlyvesztés vagy a láncfűrész feletti uralom elvesztése sérüléshez vezethet.
- w) **Ne akassza fel a terméket a fára, amikor épp nem használja.** A szerszámot mindig a földre helyezze, biztonságos felületre, az akkumulátor eltávolítása nélkül.
- TOVÁBBI BIZTONSÁGI FIGYELMEZTETÉSEK**
- a) **Ezt a szerszámot nem használhatják olyan személyek (a gyermekeket is beleértve), akik nincsenek fizikai, érzékelési vagy mentális képességeik teljes birtokában, vagy nincs meg a szükséges tapasztalatuk és tudásuk, kivéve, ha a biztonságukért felelős személy felügyel rájuk, vagy megtanítja őket a készülék használatára.** Ügyeljen a gyermekekre, hogy ne játszhassanak vele.
- b) **A géppel történő munkavégzés során minden esetben stabilan, két kézzel fogja a gépet, és álljon stabil terpeszállásban.** Az elektromos szerszám biztonságosabban vezethető, ha két kézzel fogja.
- c) **A gép használatakor mindig ellenőrizze, hogy a fogantyúk és burkolatok fel vannak szerelve.** Soha ne próbáljon meg hiányos vagy jogosulatlanul módosított gépet használni.
- d) **Használat előtt mindig olajozza be a fűrészláncot védőspray-vel.**
- e) **Mindig várja meg a gép teljes leállítását, mielőtt letenné.**
- f) **A gép használata közben más személyek és állatok maradjanak legalább 3 méteres távolságban.** Az üzemeltető felelős a munkaterületen tartózkodó harmadik személyekért.
- g) **Soha ne markolja meg a fűrészláncot.**
- h) **A láncfűrész nem használható gyermekek vagy olyan személyek, akik nem ismerik ezeket az utasításokat.** A gépkezelő életkorára vonatkozóan a helyi szabályozások is fogalmazhatnak meg korlátozásokat.
- i) **A felhasználó a felelős a más személyeket vagy a tulajdonukat ért balesetekért és veszélyekért.**
- j) **Ne használja a láncfűrész mezítláb vagy nyitott szandálban, mindig viseljen megfelelő lábbelit és hosszúnadrágot.** Strapabíró kesztyű, csúszásmentes lábbeli és védőszemüveg használata ajánlott. Ne viseljen lezser ruházatot, illetve ékszereket; amelyek fennakadhatnak a mozgó alkatrészekben.
- k) **Alaposan vizsgálja át a területet, ahol a láncfűrész használni szeretné, és távolítsa el minden vezetőket és egyéb idegen tárgyat.**
- l) **Használat előtt ellenőrizze a fűrészláncot, a vezetőlemezt és a csavarokat kopás és sérülés szempontjából.** Ne használjon sérült vagy túlságosan kopott láncfűrész.
- m) **Tudnia kell, hogyan lehet vészhelyzet esetén gyorsan leállítani a láncfűrész.**
- n) **A láncfűrész csak nappali fényben vagy megfelelő mesterséges fényben működtesse.**
- o) **Soha ne használja a láncfűrész, ha a burkolat hibás vagy nincs a helyén.**

- p) Soha ne tartsa a láncfűrész a burkolatnál fogva.  
 q) A teleszkópos láncfűrész használata közben mindig két lábbal, egyensúlyát megtartva álljon a talajon.  
 r) Mindig ügyeljen a környezetére és maradjon éber, figyelve a láncfűrész használata során nem hallható esetleges veszélyekre.  
 s) Mindig ellenőrizze az összes anya és csavar szoros illeszkedését, hogy a láncfűrész minden esetben biztonságos működési állapotban legyen.  
 t) A teleszkópos láncfűrész tartsa száraz, magas, vagy gyermekektől elzárt helyen.  
 u) A biztonság kedvéért cserélje ki a kopott vagy sérült alkatrészeket.  
 v) Ne próbálja a gépet megszerelni, kivéve ha Ön képzett szakember.  
 w) Mindkét kezével biztonságosan tartsa a terméket.

### AZ AKKUMULÁTORRA VONATKOZÓ BIZTONSÁGI FIGYELMEZTETÉSEK

- a) **Ne bontsa szét az akkumulátort.** Az veszélyes rövidzárlatot okozhat.  
 b) **Hőbehatástól védje az akkumulátort, pl. ne tegye ki folyamatos erős napsugárzásnak, tűztől, víztől és más nedvességtől is védje.** Robbanásveszély.  
 c) **Ha az akkumulátor sérült, vagy rendellenesen használják, gőzök áramolhatnak belőle. Szellőztesse át a munkaterületet, és ha egészségi panaszai vannak, kérjen orvosi segítséget.** A gőzök irritálhatják a légutakat.  
 d) **Az akkumulátort csak a Vonroc termékéhez használja.** Ezzel az intézkedéssel veszélyes túlterheléstől védi az akkumulátorát.  
 e) **Az akkumulátor megsérülhet, ha a külsőjét hegyes tárggyal (pl. szeggel, csavarhúzóval) vagy erőszakosan manipulálják.** Belső rövidzárlat következhet be, amitől az akkumulátor leégphet, füstölhet, robbanhat vagy túlmelegedhet.

### A TÖLTŐRE VONATKOZÓ BIZTONSÁGI FIGYELMEZTETÉSEK

#### Rendeltetése

A töltővel kizárólag CD801AA és CD803AA típusú újratölthető akkumulátorcsomagokat töltsön fel. Másfajta akkumulátorok használata személyi sérülést és károkat okozhat.

- a) **A villamos készüléket csökkent fizikai, érzékszervi vagy szellemi képességű személyek (gyermekeket is ideértve) vagy tapasztalat,**

**ismeret híján csak felügyelet vagy útmutatás mellett használhatják.**

- b) **Figyelni kell, nehogy a gyerekek játszanak a készülékkel.**  
 c) **Nem újratölthető elemek újratöltésével próbálkozni tilos!**  
 d) **Az akkumulátorok töltését jól szellőző helyen kell végezni!**

#### Elektromos biztonság



*Mindig ellenőrizze, hogy a tápellátás megfelel-e az adattáblán feltüntetett feszültségnek.*

- Ne használja a gépet, ha a hálózati kábel vagy a hálózati csatlakozódugó sérült.
- Csak olyan hosszabbító kábelt használjon amely megfelel a berendezés névleges teljesítményének és legalább 1,5 mm<sup>2</sup> vastag. Ha tekercset használ a hosszabbító kábelhez, mindig teljesen tekerje le a kábelt.

## 2. A GÉP ISMERTETÉSE

#### Rendeltetése

A gép háztartási használatra készült, fák és cserjék magasan történő metszéséhez, miközben a felhasználó a talajon tartózkodik. A készülék nem alkalmas létrán vagy lépcsőn történő használatra. A gépet nem szerves anyagok vágására tervezték. A szerszám nem kereskedelmi vagy ipari használatra készült.


#### MŰSZAKI ADATOK





*Ez az útmutató különböző készletekhez / cikkszámokhoz készült. A készlet megfelelő összetételéhez és tartalmához ellenőrizze a műszaki adatokat tartalmazó lenti táblázat vonatkozó cikkszámát.*


Modellazonosító	Akkumulátorok a csomagban	Töltők a csomagban
CS504DC	-	-
S_CS504DC	CD801AA	CD802AA
S2_CS504DC	2 x CD801AA	CD802AA
S3_CS504DC	CD803AA	CD802AA



<b>A gép adatai</b>	
Feszültség	20 V 
Láncsebesség	5 m/s
Vezetőlemez hossza	200 mm
Lánc hossza	44T
Láncosztás	1/4"
Láncméret	0,043"
Hosszúságállítás	200–260 cm
Hangnyomásszint (LpA)	78,2 dB, K=3 dB
Hangnyomásszint (LWA)	88 dB(A) K= 3 dB(A)
Garantált LWA	91 dB
Rezgés	elülső fogantyún $a_n = 2,74 \text{ m/s}^2$ hátsó fogantyún $a_n = 2,69 \text{ m/s}^2$ $K = 1,5 \text{ m/s}^2$
Súly	2,3 kg

<b>Modellazonosító</b>	<b>CD801AA</b>
Akkumulátor típusa	Lítium-ion
Feszültség	20 V 
Kapacitás	2,0 Ah
Ajánlott töltő	CD802AA
Súly	0,3 kg

<b>Modellazonosító</b>	<b>CD802AA</b>
A töltő bemenete	220–240V, 50 Hz 0,4 A
A töltő kimenete	21 V  2,5 A
2 Ah-s akkumulátor töltési ideje	60 perc
4 Ah-s akkumulátor töltési ideje	120 perc
Ajánlott akkumulátorok	CD801AA, CD803AA
Súly	0,36 kg

<b>Modellazonosító</b>	<b>CD803AA</b>
Akkumulátor típusa	Lítium-ion
Feszültség	20 V 
Kapacitás	4,0 Ah
Ajánlott töltő	CD802AA
Súly	0,65 kg

VONROC VPOWER 20 V akkumulátorplatformból csak a következő akkumulátorokat használja. Más

akkumulátor használata súlyos sérüléshez és a szerszám károsodásához vezethet.

CD801AA 20 V, 2 Ah-s lítium-ion  
CD803AA 20 V, 4 Ah-s lítium-ion

Ezek az akkumulátorok az alábbi töltővel tölthetők.  
CD802AA Gyorstöltő

A VONROC VPOWER 20V platform akkumulátorai csereszabatosak minden VONROC VPOWER 20V akkumulátor platform szerszámmal.

### LEÍRÁS

A szövegbeli számok a 2-5. oldalon található ábrákra utalnak.

1. Láncfűrészfej
2. Fejállító gomb
3. Fejrögzítő gyűrű
4. Fűrészlánc
5. Láncfűrész vezetőlemeze
6. Olajtartály kupakja
7. Fogantyúzáró kar
8. Kapcsoló
9. Teleszkópos nyél
10. Hálózati csatlakozó
11. Vállheveder
12. Karabiner
13. Láncburkolat
14. Akkumulátor
15. Akkumulátortöltő
16. Akkumulátor kioldógombja
17. Akkumulátor LED-jelzőlámpák gomb
18. Akkumulátor LED-jelzőlámpák
19. A töltő LED-jelzőlámpái

### 3. SZERELÉS



Az elektromos szerszámon végzett munkavégzés előtt (kezelés, szerszámcserre, szerelés) távolítsa el az akkumulátort.



Az akkumulátort első használat előtt először fel kell tölteni.

#### Az akkumulátor behelyezése a gépbe (B-1 ábra)

A töltőre vagy a gépre csatlakoztatás előtt ellenőrizze, hogy az akkumulátor külseje tiszta és száraz legyen.

1. Tegye az akkumulátort (14) a gép talpába a B-1 ábrán látható módon.
2. Kattanásig nyomja az akkumulátort a helyére.

**Az akkumulátor kivétele a gépből (B-1 ábra)**

1. Nyomja meg az akkumulátor kioldógombját (16).
2. Vegye ki az akkumulátort a gépből a B-1 ábrán látható módon.

**Az akkumulátor töltési állapotának ellenőrzése (B-2 ábra)**

- A töltöttségi szint ellenőrzéséhez nyomja meg röviden a gombot (17).
- Az akkumulátor 3 lámpával mutatja a töltési szintet, minél több világít, annál több töltése van még az akkumulátornak.
- Ha a lámpák nem világítanak, az akkumulátor lemerült, azonnal tölteni kell.

**Az akkumulátor töltése a töltővel (B-2 ábra)**

1. Vegye ki a gépből az akkumulátort (14).
2. Fordítsa fejjel lefelé az akkumulátort (14) és csúsztassa a töltőre (15) a B-2 ábrán látható módon.
3. Nyomja be egészen az akkumulátort a nyílásba.
4. Dugja a töltődugót villamos aljzatba és várjon. A gépen a LED jelzők (19) világítani kezdenek és jelzik a töltő állapotát.

**A töltőn 2 LED jelzőlámpa (19) van, amelyek mutatják a töltési folyamatot:**

Piros LED állapot	Zöld LED állapot	Töltés állapot
Nem világít	Nem világít	Nincs áramellátás
Nem világít	Világít	Készenlét mód: - Nincs behelyezve akkumulátor vagy - Akkumulátor behelyezve, de a töltés befejeződött
Világít	Nem világít	Akkumulátor töltődik

- A(z) 2 Ah-s akkumulátor teljes feltöltése 60 percet vesz igénybe.
- A(z) 4 Ah-s akkumulátor teljes feltöltése 120 percet vesz igénybe.

Az akkumulátor teljes feltöltése után húzza ki a töltődugót az aljzataból és vegye ki az akkumulátort a töltőből.



*Ha a gépet hosszabb ideig nem használják, jobb az akkumulátort töltött állapotban tárolni.*

**A szerszám összeszerelése (C, D ábra)**

- Csatolja a vállhevedert (11) a fogantyú (9) karikájára a karabinerrel (12).
- Lazítsa meg a fejrögzítő gyűrűt (3) az óra járásával ellentétes irányba tekerve. Ne távolítsa el teljesen a gyűrűt a fejről.
- A hálózati csatlakozót (10) a fejbe helyezve illessze a láncfűrészfejet (1) a teleszkópos nyélhez (9).
- Ha a csatlakozó (10) nincs megfelelően behelyezve, előfordulhat, hogy elektromos kapcsolat hiányában a szerszám nem működik. Győződjön meg róla, hogy a hálózati csatlakozó teljesen be van dugva a láncfűrészfejbe. A nyelen lévő csavart (20) a láncfűrészfejnek (1) és a rögzítőgyűrűnek (3) fednie kell.
- Rögzítse a láncfűrészfejet (1) a rögzítőgyűrű (3) óra járásával megfelelő irányba tekerésével.



*Soha ne rögzítse az övet átlósan keresztül a vállán és mellkasán, hanem helyezze azt az egyik vállára. Így veszély esetén gyorsan eltávolíthatja a szerszámot a testétől.*

**A teleszkópos magasság beállítása (E-1, E-2 ábra)**

- Nyissa ki a kart (7) a teleszkópos nyél (9) kioldásához.
- Állítsa be a teleszkópos nyelet (9) a kívánt hosszúságra.
- Rögzítse a teleszkópos nyelet a kar (7) lezárásával.

**A dönthető láncfűrészfej beállítása (F-1, F-2 ábra)**

- Nyomja be a láncfűrész-fej (1) oldalán található gombot (2).
- Állítsa a fejet a kívánt helyzetbe.
- Engedje el a gombot (2) és ellenőrizze, hogy a fej a helyére záródott.

**4. MŰKÖDÉS****Használat előtt (G ábra)**

Távolítsa el a láncburkolatot (13) és ellenőrizze a tartályban (6) lévő olajsintet. Ne működtesse a fűrész t üres olajtartállyal. Kizárólag biológiailag lebomló láncfűrészolajat használjon. Ellenőrizze, hogy a lánc (4) megfelelően megfeszített-e. A lánc akkor van megfelelően megfeszítve, ha nagyjából 2-3 mm-re kézzel el lehet emelni a vezetőlemez (5) közepénél.

### Bekapcsolás és kikapcsolás

Mindig két kézzel tartsa a teleszkópos láncfűrész. Egyik kezét helyezze a teleszkópos nyélre (9), másik kezét pedig a kapcsolóhoz közeli hátsó fogantyúra. A gép működtetéséhez nyomja meg és tartsa lenyomva a kapcsolót (8). A kapcsoló elengedésével a gép automatikusan leáll.

### Használat során

A fával való érintkezés előtt hagyja, hogy a lánc felgyorsuljon. A láncfűrész tilos túlzott erőfelfejtéssel használni. Tartsa a gépet egyenletes sebességen, és hagyja, hogy a lánc elvégezze a munkáját. Rendszeresen ellenőrizze a tartályban lévő olajsínt, és töltsze fel, mielőtt teljesen kiürülne. Nagy/hosszú ágak fűrészelésekor a több részben történő fűrészelés javasolt.

### Használat után

Kefe vagy rongy segítségével törölje le a szennyeződések és növénymaradékokat a láncról (4). Helyezze vissza a láncburkolatot (13), valamint távolítsa el az akkumulátort (14), mielőtt a gépet eltárolná. A tárolás közbeni olajszivárgás megelőzése érdekében engedje le a maradék olajat a tartályból (6) egy arra megfelelő tárolóedénybe.

## 5. KARBANTARTÁS



*Tisztítás és karbantartás előtt mindig kapcsolja ki a gépet, és vegye ki belőle az akkumulátort.*

A gép burkolatát rendszeresen, lehetőleg minden használat után törölje át puha ronggyal. Ügyeljen arra, hogy a szellőzőnyílások portól és piszoktól mentesek legyenek. Makacs szennyeződésekhez használjon szappanos vízzel átitatott ruhát. Ne használjon oldószert, benzint, alkoholt, ammóniát stb. Az ilyen vegyszerek kárt tesznek a gép szintetikus alkatrészeiben.

### A fűrészlánc feszességének beállítása (H ábra)

A normál kopás miatt a lánc idővel lassan megnyúlik. A láncfűrész feszítő mechanizmussal rendelkezik, amely kompenzálja ezt a nyúlást. A láncfeszesség beállításához fordítsa el a gép elején található láncfeszítő csavart (21). A lánc (4) akkor van megfelelően megfeszítve, ha nagyjából 2-3 mm-re kézzel el lehet emelni a vezetőlemez (5) közepénél. Ha a feszítő mechanizmus már nem képes teljesen

kompenzálni a nyúlást, a lánc elhasználódott, és ki kell cserélni.

### Fűrészlánc cseréje (H ábra)

1. Oldja ki a csavart (22), és távolítsa el a fedelet (23).
2. Távolítsa el a láncot (4) és a vezetőlemezt (5). A régi láncot helyezze a hulladékgyűjtőbe.
3. Helyezze az új láncot a vezetőlemez köré. Ellenőrizze, hogy az új lánc mérete megfelelő, és hogy a lánc a helyes irányba mozog.
4. Illessze a láncot a meghajtó lánckerékre, és rögzítse újra a vezetőlemezt.
5. Ellenőrizze, hogy minden alkatrészt megfelelően rögzítésre került és illessze vissza a fedelet (23), majd húzza meg a csavart (22).
6. Ellenőrizze a lánc feszességét, és szükség esetén állítson rajta.

### Tárolás

A teleszkópos láncfűrész tárolja biztonságos, száraz, gyermekektől elzárt helyen. Ne tegyen semmilyen tárgyat a tetejére. Az olajtartály kupakján (6) kis szellőzőnyílás található. A gépet vízszintes helyzetben, a tartály kupakjával felfelé kell tárolni, hogy az olaj ne szivároгjon ki a kupak nyílásán keresztül. Ha a gépet kénytelen ettől eltérő helyzetben tárolni, az olajat a tartályból egy arra megfelelő tárolóedénybe kell leengedni, hogy a tárolás során ne szivároгjon ki.

## KÖRNYEZETVÉDELEM



*A hibás vagy már feleslegessé vált elektromos, elektronikus készülékeket az ezzel foglalkozó gyűjtőpontokon kell leadni.*

### Csak EU országokban

Elektromos szerszámokat ne dobjon a háztartási hulladékba. Az elektromos és elektronikai hulladékokra vonatkozó, 2012/19/EU európai irányelv és annak a nemzeti törvénykezésbe történő átültetése értelmében az elhasználódott elektromos készülékeket külön kell gyűjteni és környezetbarát módon kell kiselejtezni.

## JÓTÁLLÁS

A VONROC termékei a legmagasabb minőségi normák szerint készülnek, és az eredeti vásárlás napjától számított, törvényileg előírt időtartamig

garantáljuk, hogy anyag- és gyártási hibáktól mentesen fognak működni. Ha a terméken ezen időszak alatt bármilyen hiba jelentkezik anyag- és/vagy gyártási hiba miatt, kérjük, forduljon közvetlenül a VONROC vállalathoz.

A szavatosság nem érvényes a következő körülmények egyikére sem:

- Nem hivatalos szervizközpontok javítást vagy módosítást végeztek (vagy megkíséreltek javítást vagy módosítást végezni) a gépen;
- Normál felhasználás és kopás;
- A szerszámot szabálytalanul vagy nem rendeltetésszerűen használták, vagy a karbantartása nem volt megfelelő;
- Nem eredeti pótalkatrészeket használtak.

A jelen garancia a vállalat által (akár kifejezetten, akár hallgatólagosan) biztosított kizárólagos garancia. Nem léteznek olyan egyéb garanciák (sem kifejezett, sem hallgatólagos garanciák, beleértve az értékesíthetőségre és az adott célra való alkalmasságra vonatkozó hallgatólagos garanciákat is), amelyek a jelen garancia hatókörén túlmutatnak. A VONROC semmilyen esetben sem felelős semmilyen járulékos vagy következményes kárért. A forgalmazók jogorvoslati teendői az előírásoknak nem megfelelő egységek vagy alkatrészek javítására és cseréjére korlátozódnak.

**A termék és a használati útmutató változtatásának jogát fenntartjuk. A műszaki adatok előzetes bejelentés nélkül változhatnak.**

## 1. BEZPEČNOSTNÍ POKYNY

Přečtete si přiložené bezpečnostní výstrahy, dodatečné bezpečnostní výstrahy a bezpečnostní pokyny. Nebudete-li dodržovat tyto bezpečnostní výstrahy a pokyny, může dojít k úrazu elektrickým proudem, k vzniku požáru nebo k vážného zranění. Uchovejte tyto bezpečnostní výstrahy a pokyny pro budoucí použití.

V tomto návodu k obsluze a na tomto výrobku jsou použity následující symboly:



*Přečtete si uživatelskou příručku.*



*Upozorňuje na riziko zranění osob, ztráty života nebo poškození zařízení, nebudou-li dodržovány pokyny uvedené v tomto návodu.*



*Nebezpečí úrazu elektrickým proudem.*



*Maximální teplota 45 °C.*



*Nevhazujte akumulátor do ohně.*



*Nevhazujte akumulátor do vody.*



*Používejte ochranu hlavy.*



*Používejte ochranné brýle.*



*Nevystavujte dešti.*



*Udržujte ruce v bezpečné vzdálenosti od pilové lišty.*



*Dávejte pozor na odmrštěné předměty. Udržujte ostatní osoby v bezpečné vzdálenosti.*



*Nepřibližujte se s tímto výrobkem k vysokonapětovému vedení! Minimální vzdálenost je 10 metrů.*



*Zařízení třídy II. Dvojitá izolace, není nutné používat zástrčku s uzemněním.*



*Miniaturní pomalá pojistka s tavnou vložkou.*



Použijte tříděný odpad pro akumulátory Li-Ion.



Nelikvidujte tento výrobek do nevhodného kontejneru.



Tento výrobek je vyroben v souladu s platnými bezpečnostními normami, které jsou uvedeny ve směrnících EU.

## ZÁKLADNÍ BEZPEČNOSTNÍ VÝSTRAHY PRO ELEKTRICKÉ NÁŘADÍ



**VAROVÁNÍ! Přečtěte si všechny bezpečnostní výstrahy a všechny pokyny.** Nebudete-li dodržovat tyto bezpečnostní výstrahy a pokyny, může dojít k úrazu elektrickým proudem, ke vzniku požáru nebo k vážnému zranění.

**Ušchovejte všechny bezpečnostní výstrahy a pokyny pro budoucí použití.**

Pojem „elektrické nářadí“ v těchto varováních odkazuje na elektrické nářadí napájené z elektrické sítě (s napájecím kabelem) nebo z akumulátoru (bez napájecího kabelu).

### 1) Bezpečnost pracovního prostoru

- Udržujte pracoviště uklizené a dobře osvětlené.** Neuklizená nebo tmavá místa přivolávají nehody.
- Nepoužívejte elektrická nářadí ve výbušných prostředích, jako jsou místa s přítomností hořlavých kapalin, plynů nebo prachu.** V elektrickém nářadí dochází k jiskření, které může způsobit vznícení prachu nebo výparů.
- Při práci s tímto elektrickým nářadím udržujte děti a okolostojící osoby v bezpečné vzdálenosti.** Rozptylování může způsobit ztrátu kontroly nad nářadím.

### 2) Elektrická bezpečnost

- Zástrčka napájecího kabelu nářadí musí odpovídat zásuvce. Zástrčku nikdy žádným způsobem neupravujte. Nepoužívejte u uzemněného elektrického nářadí žádné adaptéry zástrček.** Neupravené zástrčky a odpovídající zásuvky sníží riziko úrazu elektrickým proudem.
- Vyvarujte se kontaktu těla s uzemněnými povrchy, jako jsou potrubí, radiátory, trouby a ledničky.** Dojde-li k uzemnění vašeho těla, hrozí zvýšené riziko způsobení úrazu elektrickým proudem.

- Nevystavujte elektrické nářadí dešti ani vlhkému prostředí.** Dostane-li se do elektrického nářadí voda, zvýší se riziko úrazu elektrickým proudem.
- Nezacházejte špatně s napájecím kabelem. Nikdy nepoužívejte napájecí kabel pro přenášení nebo tahání elektrického nářadí ani netahejte za tento kabel při vypořádání zástrčky ze zásuvky. Dbejte na to, aby tento kabel nepřecházel přes horké a mastné povrchy ani přes ostré hrany a aby se nedostal do kontaktu s pohyblivými se částmi.** Poškozené nebo zamotané kabely zvyšují riziko úrazu elektrickým proudem.
- Používáte-li elektrické nářadí venku, použijte prodlužovací kabel vhodný pro venkovní použití.** Použití prodlužovacího kabelu pro venkovní použití snižuje riziko úrazu elektrickým proudem.
- Musíte-li používat toto elektrické nářadí ve vlhkém prostředí, zařaďte do elektrického obvodu proudový chránič.** Použití proudového chrániče (RCD) snižuje riziko úrazu elektrickým proudem.

### 3) Bezpečnost osob

- Při práci s tímto elektrickým nářadím buďte stále pozorní, sledujte, co provádíte a používejte zdravý rozum. Nepoužívejte elektrické nářadí, jste-li unaveni nebo jste-li pod vlivem drog, alkoholu nebo léků.** Nepozornost při práci s elektrickým nářadím může způsobit velmi nebezpečná zranění.
- Používejte osobní ochranné prostředky. Vždy používejte ochranu zraku.** Ochranné prostředky, jako jsou maska proti prachu, neklouzavá pracovní ochranná obuv, pevná přilba nebo chrániče sluchu, které jsou používány v příslušných podmínkách, zmenšují riziko způsobení zranění osob.
- Zabraňte náhodnému spuštění nářadí. Před připojením elektrického nářadí k napájecímu zdroji nebo před vložením akumulátoru do nářadí, před zvednutím nářadí nebo před jeho přenášením se ujistěte, zda je spínač nářadí v poloze vypnuto.** Přenášení elektrického nářadí s prstem na vypínači nebo připojení elektrického nářadí ke zdroji elektrické energie, když je vypínač v poloze zapnuto, zvyšuje pravděpodobnost vzniku nehod.
- Před zapnutím elektrického nářadí vždy odstraňte všechny klíče a seřizovací přípravky.** Klíče nebo seřizovací přípravky ponechané na

- rotující části elektrického nářadí mohou způsobit zranění osob.
- e) **Nepřeceňujte své síly. Vždy udržujte správný postoj a rovnováhu.** Tak si zachováte lepší kontrolu nad nářadím v neočekávaných situacích.
  - f) **Vhodně se oblékejte. Nenoste volný oděv ani šperky. Udržujte vlasy, oblečení a rukavice v bezpečné vzdálenosti od všech pohyblivých částí.** Volný oděv, šperky nebo dlouhé vlasy mohou být zachyceny pohybujícími se částmi.
  - g) **Jsou-li zařízení vybavena adaptérem pro připojení odsávacího systému, ujistěte se, zda je odsávací zařízení správně připojeno a zda správně vykonává svou práci.** Použití odsávání prachu může snížit rizika spojená prací v prašném prostředí.
  - h) **Nedovolte, aby jistota získaná častým používáním nářadí vedla ke snížení vaší pozornosti a ignorování zásad bezpečné práce s nářadím.** Chvilková nepozornost může během zlomku sekundy způsobit vážné zranění.
- 4) Použití elektrického nářadí a jeho údržba**
- a) **Nepřetěžujte elektrické nářadí. Používejte pro prováděnou práci správné elektrické nářadí.** Správné elektrické nářadí provede práci lépe a bezpečněji, je-li použito pro práce, pro které je určeno.
  - b) **Nepoužívejte elektrické nářadí, nepracuje-li správně jeho spouštěcí spínač.** Nemůžete-li elektrické nářadí ovládat pomocí spouštěcího spínače, takové nářadí je velmi nebezpečné a musí být opraveno.
  - c) **Před prováděním jakéhokoliv seřízení, před výměnou příslušenství nebo před uložením odpojte napájecí kabel nářadí od napájecího zdroje nebo z nářadí vyjměte akumulátor.** Tato preventivní bezpečnostní opatření snižují riziko náhodného spuštění elektrického nářadí.
  - d) **Uložte nepoužívané elektrické nářadí mimo dosah dětí a nedovolte osobám, které nejsou seznámeny s tímto nářadím nebo s těmito pokyny, aby toto elektrické nářadí používaly.** Elektrické nářadí je v rukách neproškolených osob nebezpečné.
  - e) **Provádějte údržbu elektrického nářadí. Zkontrolujte nevyrovnaní nebo vážnutí pohyblivých částí, poškození součástí a jiné stavy, které by mohly mít vliv na správnou funkci nářadí. Je-li elektrické nářadí poškozeno, zajistěte jeho opravu dříve, než ho použijete.** Mnohé nehody bývají způsobeny nedostatečnou údržbou elektrického nářadí.
- f) **Udržujte ostré a čisté řezné nástroje.** U správně udržovaných řezných nástrojů s ostrými řeznými břity je menší pravděpodobnost jejich zablokování a lépe se s nimi pracuje.
  - g) **Používejte elektrické nářadí, příslušenství, pracovní nástroje atd., podle těchto pokynů a berte v úvahu pracovní podmínky a práci, která bude prováděna.** Použití elektrického nářadí pro práce, pro které není určeno, může vést k nebezpečným situacím.
  - h) **Dbejte na to, aby rukojeti a úchopné povrchy byly suché, čisté a zbavené olejí a maziv.** Kluzké rukojeti a úchopné plochy neumožňují bezpečnou manipulaci a ovládání nářadí v neočekávaných situacích.
- 5) Použití a údržba akumulátorového nářadí**
- a) **K nabíjení používejte výhradně nabíječku předepsanou výrobcem.** Nabíječka vhodná pro jeden typ akumulátoru může způsobit požár při vložení jiného, nevhodného typu.
  - b) **Používejte elektrické nářadí pouze s předepsanými akumulátory.** Použití jiných typů akumulátoru může způsobit požár nebo zranění.
  - c) **Když akumulátor nepoužíváte, uložte ho mimo dosah kovových předmětů, jako jsou kancelářské sponky, mince, klíče, hřebíky, šroubky nebo jiné malé kovové předměty, které by mohly zkratovat jeho kontakty.** Zkratování kontaktů akumulátoru může způsobit popáleniny nebo požár.
  - d) **V nevhodných podmínkách může z akumulátoru unikat kapalina. Vyvarujte se kontaktu s touto kapalinou. Dojde-li k náhodnému kontaktu s touto kapalinou, zasažené místo omyjte vodou. Dostane-li se kapalina do očí, ihned si je vypláchněte vodou a vyhledejte lékařskou pomoc.** Unikající kapalina z akumulátoru může způsobit podráždění pokožky nebo popáleniny.
  - e) **Nepoužívejte poškozený nebo upravený akumulátor či nářadí.** Poškozené nebo upravené akumulátory se mohou chovat nepředvídatelně, což může způsobit požár, výbuch nebo nebezpečí zranění.
  - f) **Nevystavujte akumulátor a nářadí ohni ani nadměrným teplotám.** Vystavení účinkům ohně nebo teplot nad 130 °C může způsobit výbuch. POZNÁMKA: Teplota „130 °C“ odpovídá teplotě „265 °F“.

- g) **Dodržujte všechny pokyny pro nabíjení a nenabíjejte akumulátor ani nářadí mimo teplotní rozsah předepsaný v těchto pokynech.** Nesprávné nabíjení nebo nabíjení při teplotě mimo předepsaný rozsah může poškodit akumulátor a zvýšit nebezpečí vzniku požáru.

## 6) Servis

- a) **Svěřte opravu svého elektrického nářadí pouze osobě s příslušnou kvalifikací, která použije výhradně originální náhradní díly.** Tím zajistíte bezpečný provoz tohoto elektrického nářadí.
- b) **Nikdy neopravujte poškozené akumulátorové moduly.** Opravy akumulátorů smí provádět výhradně výrobce nebo technik autorizovaného servisu.

## BEZPEČNOSTNÍ VÝSTRAHY TÝKAJÍCÍ SE TELESKOPICKÉ ŘETĚZOVÉ PILY

- a) **Udržujte všechny části těla v bezpečné vzdálenosti od pilové lišty.** Neodstraňujte ostříhaný materiál ani nedržte materiál, který bude řezán, když je pilový řetěz v pohybu. Před odstraněním uvízlého materiálu musíte nářadí vypnout a vyjmout z něj akumulátor. Chvilková nepozornost při práci s řetězovou pilou může způsobit velmi nebezpečné zranění.
- b) **Držte elektrické nářadí pouze za izolovaná místa určená pro úchop, protože se pilová lišta může dostat do kontaktu se skrytým elektrickým vedením.** Když se řetězová pila dostane do kontaktu s elektrickým vodičem pod napětím, mohou být její nechráněné kovové části nářadí také po napětím, což by mohlo vést k úrazu elektrickým proudem.
- c) **Držte elektrické nářadí pevně oběma rukama a udržujte takovou polohu těla a paží, která vám umožní odolávat silám zpětného rázu.** Uživatel dokáže zvládnout síly zpětného rázu, pokud přijme příslušná opatření. Nepouštějte teleskopickou řetězovou pilu z ruky.
- d) **Při řezání větví dávejte pozor na zpětný ráz.** Když je větev dlouhá, může se ohnout a zaseknout řetěz pily.
- e) **Přenášejte řetězovou pilu vypnutou, vždy oběma rukama a s nasazeným krytem řetězu.** Správná manipulace s řetězovou pilou snižuje pravděpodobnost náhodného kontaktu s pohybujícím se pilovým řetězem.
- f) **Nepoužívejte teleskopickou řetězovou pilu při lezení po stromě.** Použití teleskopické řetězové pily při lezení nebo stání na stromě může způsobit zranění.

- g) **Vždy udržujte správný postoj a používejte řetězovou pilu pouze tehdy, když stojíte na pevném, bezpečném a rovném povrchu.** Kluzké nebo nestabilní povrchy, jako jsou žebříky, mohou způsobit ztrátu rovnováhy nebo kontroly nad řetězovou pilou.
- h) **Dodržujte pokyny pro mazání a napínání řetězu a také pro výměnu příslušenství.** Nesprávně napnutý nebo namazaný řetěz se může přetřhnout nebo může zvýšit pravděpodobnost zpětného rázu.
- i) **Dbejte na to, aby rukojeť byla suchá, čistá a zbavená všech olejů i maziv.** Rukojeti znečištěné mazivem nebo olejem jsou kluzké, což může způsobit ztrátu kontroly.
- j) **Řežte pouze dřevo.** Nepoužívejte teleskopickou řetězovou pilu k jiným účelům, než pro které je určena. Příklad: řetězovou pilu nepoužívejte k řezání plastů, zdíva nebo jiných nedřevěných stavebních materiálů. Použití teleskopické řetězové pily pro práce, pro které není určena, může vést k nebezpečným situacím.
- k) **Příčiny a možná prevence zpětného rázu:**
- Ke zpětnému rázu může dojít, když se špička vodící lišty dotkne předmětu nebo když se dřevo sevře a přiskřípne pilový řetěz v řezu.
  - Kontakt špičky může v některých případech způsobit náhlou zpětnou reakci, odhození vodící lišty směrem nahoru a dozadu k uživateli.
  - Sevření řetězu v horní části vodící lišty může vodici lišty rychle vyhodit dozadu směrem k uživateli.
- Kterákoliv z těchto reakcí může způsobit ztrátu kontroly nad teleskopickou řetězovou pilou, což může mít za následek vážné zranění. Jako uživatel řetězové pily musíte přijmout některá opatření, abyste zabránili nehodám nebo zraněním při řezání.
- Zpětný ráz je důsledkem nesprávného nebo vadného používání výrobku. Zpětnému rázu lze zabránit přijetím vhodných opatření, jak jsou uvedena níže.**
- l) **Používejte výhradně náhradní pilové řetězy, které vyhovují specifikacím výrobce.** Nesprávné pilové řetězy mohou způsobit přetření řetězu nebo zpětný ráz.
- m) **Je-li lišta poškozena a je nutné ji vyměnit, poraďte se s prodejcem.**

- n) **Aby se zabránilo náhodnému rozběhnutí řetězu pily, je tato řetězová pila vybavena spínačem s mechanickým blokováním.** Chcete-li řetězovou pilu uvést do provozu, musíte stisknout blokovací tlačítko, než se řetěz rozběhne
- Nepoužívejte výrobek bez stisknutého blokovacího tlačítka.
  - Neovládejte toto nářadí pouze jednou rukou. Držte výrobek pevně oběma rukama; jednou rukou bezpečně držte tyč a druhou rukou ovládejte vypínač.
- o) **Nikdy nedovolte používat tento stroj dětem, osobám s fyzickými, smyslovými nebo mentálními omezeními nebo nedostatkem zkušeností anebo znalostí ani osobám, které nejsou obeznámeny s těmito pokyny.** Místní platné předpisy mohou omezovat věk obsluhy.
- p) **Děti musí být pod dozorem, aby bylo zajištěno, že si se strojem nebudou hrát.**
- q) **Není-li teleskopická řetězová pila používána, uložte ji mimo dosah dětí.**
- r) **Před zahájením práce zkontrolujte pracovní prostor a odstraňte všechna možná nebezpečí.**
- s) **Vždy počkejte, až se stroj úplně zastaví, než ho položíte.** Pilový řetěz se může zaklínit nebo způsobit zpětný ráz, což by vedlo ke ztrátě kontroly nad strojem.
- t) **Před změnou pracovní pozice řetězovou pilu vypněte.**
- u) **Odříznutá větev může způsobit zranění tím, že na vás spadne nebo se odrazí od země.** Dlouhé větve řežte po částech.
- v) **Těsně před úplným odříznutím větve snižte tlak na pilu.** Při ztrátě rovnováhy a kontroly nad řetězovou pilou byste se mohli zranit.
- w) **Nevěšete výrobek na strom, když ho nepoužíváte.** Nářadí vždy pokládejte na zem na bezpečné místo, aniž byste vyjímali akumulátor.
- c) **Při používání stroje musí být vždy nasazeny všechny rukojeti a kryty.** Nikdy se nepokoušejte používat neúplný stroj nebo stroj, na kterém byla provedena neschválená úprava.
- d) **Před použitím vždy ošetřete pilový řetěz ochranným sprejem.**
- e) **Před odložením nářadí vždy počkejte, až se úplně zastaví.**
- f) **Ostatní osoby a zvířata by se při používání stroje měly zdržovat ve vzdálenosti nejméně 3 metrů.** Uživatel je odpovědný za třetí osoby v pracovním prostoru.
- g) **Nikdy nesahejte na pilový řetěz.**
- h) **Děti nebo osoby, které nejsou obeznámeny s těmito pokyny, nesmí řetězovou pilu používat.** Místní platné předpisy mohou omezovat věk obsluhy.
- i) **Uživatel je odpovědný za nehody a nebezpečí hrozící jiným osobám nebo jejich majetku.**
- j) **Nepracujte se řetězovou pilou, když jste bosí nebo máte-li na sobě otevřené sandály; vždy noste pevnou obuv a dlouhé kalhoty.** Doporučuje se používat pevné rukavice, protiskluzovou obuv a ochranné brýle. Nenoste volné oblečení ani šperky, které by mohly být zachyceny pohyblivými částmi.
- l) **Důkladně prohlédněte oblast, kde budete řetězovou pilu používat, a odstraňte všechny dráty nebo jiné cizí předměty.**
- l) **Před použitím zkontrolujte pilový řetěz, lištu a šrouby, zda nejeví známky opotřebení nebo poškození.** Nepoužívejte nářadí s poškozeným nebo nadměrně opotřebeným pilovým řetězem.
- m) **Naučte se, jak v případě nouze můžete řetězovou pilu rychle zastavit.**
- n) **Řetězovou pilu používejte pouze za denního světla nebo při kvalitním umělém osvětlení.**
- o) **Nikdy nepoužívejte řetězovou pilu s vadnými kryty ani bez nasazených krytů.**
- p) **Nikdy nedržte řetězovou pilou za ochranný kryt.**
- q) **Při použití teleskopické řetězové pily vždy udržujte správný postoj a rovnováhu.**
- r) **Při práci s řetězovou pilou vždy sledujte své okolí a buďte ve střehu před možným nebezpečím, které nemusíte slyšet.**
- s) **Udržujte všechny matice, šrouby a vruty řádně dotažené, aby řetězová pila vždy byla v bezpečném provozním stavu.**
- t) **Teleskopická řetězová pila by měla být skladována na suchém, vysoko položeném nebo uzamčeném místě, mimo dosah dětí.**
- u) **Z důvodu bezpečnosti vyměňte opotřebené nebo poškozené díly.**

### DALŠÍ BEZPEČNOSTNÍ VÝSTRAHY

- a) **Tento výrobek není určen k použití osobami (včetně dětí) se sníženými fyzickými, smyslovými nebo duševními schopnostmi, nebo s nedostatkem zkušeností a znalostí, pokud nejsou pod dozorem nebo nebyly poučeny o správném používání osobou zodpovědnou za jejich bezpečnost.** Děti musí být pod dozorem, aby bylo zajištěno, že si nebudou s výrobkem hrát.
- b) **Při práci držte toto nářadí vždy pevně oběma rukama a udržujte bezpečný pracovní postoj.** Toto nářadí je vedeno bezpečněji, je-li drženo oběma rukama.



- v) **Nepokoušejte se stroj opravovat, pokud k tomu nemáte kvalifikaci.**
- w) **Držte tento výrobek pevně oběma rukama.**

- Používejte pouze prodlužovací kabely, které jsou vhodné pro příkon tohoto zařízení a které mají minimální průřez 1,5 mm<sup>2</sup>. Budete-li používat prodlužovací kabel na cívce, vždy odmotajte celý kabel.

**BEZPEČNOSTNÍ VAROVÁNÍ PRO AKUMULÁTORY**

- a) **Akumulátor nerozebírejte.** Nebezpečí zkratu.
- b) **Chraňte akumulátor před teplem, např. před nepřetržitým intenzivním slunečním světlem, ohněm, vodou a vlhkostí.** Nebezpečí výbuchu.
- c) **V případě poškození a nesprávného použití akumulátoru se mohou uvolňovat výpary. V případě potíží vyvětrejte místnost a vyhledejte lékařskou pomoc.** Výpary mohou dráždit dýchací ústrojí.
- d) **Používejte tento akumulátor výhradně s vašim výrobkem značky Vonroc.** Toto opatření samo o sobě chrání akumulátor před nebezpečným přetížením.
- e) **Akumulátor může být poškozen ostrými předměty, jako například hřebíky nebo šroubováky, nebo větší silou.** Může dojít k vnitřnímu zkratu a vznícení, vzniku kouře, výbuchu nebo přehřátí akumulátoru.

**BEZPEČNOSTNÍ VAROVÁNÍ PRO NABÍJEČKU**

**Zamýšlené použití**

Touto nabíječkou nabíjejte výhradně akumulátorové moduly typu CD801AA a CD803AA. Ostatní typy akumulátorů mohou prasknout a způsobit zranění a poškození.

- a) **Tento výrobek není určen k použití osobami (včetně dětí) se sníženými fyzickými, smyslovými nebo duševními schopnostmi, nebo s nedostatkem zkušeností a znalostí, pokud jim nebyl stanoven dohled nebo pokud jim nebyly poskytnuty potřebné instrukce.**
- b) **Děti musí být pod dozorem, aby si s tímto zařízením nehrály.**
- c) **Nenabíjejte baterie, které nejsou k nabíjení určeny!**
- d) **Během nabíjení musí být akumulátory umístěny na dobře větraném místě!**

**Elektrická bezpečnost**



Vždy zkontrolujte, zda se napájecí napětí sítě shoduje s napájecím napětím na výkonovém štítku.

- Nepoužívejte tento stroj, je-li poškozen jeho napájecí kabel nebo zástrčka.

**2. INFORMACE O ZAŘÍZENÍ**

**Zamýšlené použití**

Stroj je určen pro domácí použití, pro prořezávání stromů a keřů ve zvýšené výšce, přičemž uživatel zůstává na zemi. Stroj není určen k použití na žebříku ani na schůdcích. Stroj není určen k řezání anorganického materiálu. Toto nářadí není určeno pro komerční ani průmyslové použití.


**TECHNICKÉ ÚDAJE**





Tato uživatelská příručka platí pro různá čísla zboží / různé sady. V níže uvedené tabulce specifikací si můžete ověřit správný obsah vaší sady podle odpovídajícího čísla.

Model č.	Akumulátory v dodávce	Nabíječky v dodávce
<b>CS504DC</b>	-	-
<b>S_CS504DC</b>	CD801AA	CD802AA
<b>S2_CS504DC</b>	2 x CD801AA	CD802AA
<b>S3_CS504DC</b>	CD803AA	CD802AA

Informace o nářadí	
Napětí	20 V
Rychlost pohybu řetězu	5 m/s
Délka pilové lišty	200 mm
Délka řetězu	44T
Rozteč řetězu	1/4"
Šířka vod. článku	0,043"
Nastavení délky	200-260 cm
Úroveň akustického tlaku (LpA)	78,2 dB, k=3 dB
Úroveň akustického tlaku (LWA)	88 dB(A), K = 3 dB(A)
Garantovaná LWA	91 dB
Vibrace	přední rukojeť a <sub>h</sub> =2,74 m/s <sup>2</sup> zadní rukojeť a <sub>h</sub> =2,69 m/s <sup>2</sup> K = 1,5 m/s <sup>2</sup>
Hmotnost	2,3 kg

Model č.	CD801AA
Typ akumulátoru	Lithium-Ion
Napětí	20 V 
Kapacita	2,0 Ah
Doporučená nabíječka	CD802AA
Hmotnost	0,3 kg

Model č.	CD802AA
Vstup nabíječky	220-240 V, 50 Hz 0,4 A
Výstup nabíječky	21V  2,5 A
Doba nabíjení 2Ah akumulátoru	60 minut
Doba nabíjení 4Ah akumulátoru	120 minut
Doporučené akumulátory	CD801AA, CD803AA
Hmotnost	0,36 kg

Model č.	CD803AA
Typ akumulátoru	Lithium-Ion
Napětí	20 V 
Kapacita	4,0 Ah
Doporučená nabíječka	CD802AA
Hmotnost	0,65 kg

Používejte pouze následující akumulátory z platformy VONROC VPOWER 20 V. Použití jakýchkoliv jiných akumulátorů může způsobit vážné zranění nebo poškození nářadí.

CD801AA 20 V, 2Ah lithium-iontový  
CD803AA 20 V, 4Ah lithium-iontový

Pro nabíjení těchto akumulátorů se může používat následující nabíječka.

CD802AA Rychlonabíječka

Akumulátory platformy VONROC VPOWER 20V se mohou používat ve všech akumulátorových nářadích na platformě VONROC VPOWER 20V.

#### POPIS

Čísla v následujícím textu odkazují na obrázky na stranách 2-5.

1. Hlava řetězové pily
2. Tlačítko pro nastavení hlavy
3. Pojistný kroužek hlavy

4. Pilový řetěz
5. Vodicí lišta řetězu
6. Víčko nádržky na olej
7. Páčka pro zajištění rukojeti
8. Vypínač
9. Teleskopická tyč
10. Vodivá spojka
11. Ramenní popruh
12. Karabinka
13. Kryt řetězu
14. Akumulátor
15. Nabíječka akumulátoru
16. Tlačítko pro uvolnění akumulátoru
17. Tlačítko LED indikátorů akumulátoru
18. LED indikátory akumulátoru
19. LED indikátory nabíječky

### 3. SESTAVENÍ



*Před zahájením jakékoliv práce na elektrickém nářadí (údržba, výměna nástroje, sestavení) z něj vyjměte akumulátor.*



*Před prvním použitím musí být akumulátor nabit.*

#### Vložení akumulátoru do nářadí (obr. B-1)

Před vložením do nabíječky nebo do nářadí zajistěte, aby byl povrch akumulátoru čistý a suchý.

1. Zasuňte akumulátor (14) do základny nářadí, jak ukazuje obrázek B-1.
2. Zatlačte akumulátor úplně dopředu, dokud nezaklapne na své místo.

#### Vyjmутí akumulátoru z nářadí (obr. B-1)

1. Stiskněte tlačítko pro uvolnění akumulátoru (16).
2. Vytáhněte akumulátor z nářadí, jak ukazuje obrázek B-1.

#### Kontrola stavu nabití akumulátoru (obr. B-2)

- Chcete-li zkontrolovat stav nabití akumulátoru, krátce stiskněte tlačítko (17) na akumulátoru.
- Akumulátor je vybaven 3 kontrolkami, které indikují stav jeho nabití: čím více kontrolky svítí, tím více je akumulátor nabit.
- Pokud tyto kontrolky nesvítí, znamená to, že je akumulátor vybitý a musíte ho okamžitě nabít.

#### Nabíjení akumulátoru pomocí nabíječky (obr. B-2)

1. Vyjměte akumulátor (14) ze stroje.

2. Obráťte akumulátor (14) spodní stranou nahoru a zasuňte ho do nabíječky (15), jak ukazují obrázky B-2.
3. Zatlačte na akumulátor, dokud nebude zcela zasunut do slotu.
4. Připojte zástrčku nabíječky do elektrické zásuvky a chvíli počkejte. LED indikátory na nabíječce (19) se rozsvítí a zobrazí aktuální stav nabití akumulátoru.

#### Tato nabíječka je vybavena 2 LED indikátory (19), které indikují stav procesu nabíjení:

Stav červené LED	Stav zelené LED	Stav nabíječky
Nesvítí	Nesvítí	Žádné napájení
Nesvítí	Svítí	Pohotovostní režim: - Není vložen žádný akumulátor nebo: - Akumulátor je vložen, nabíjení skončilo
Svítí	Nesvítí	Probíhá nabíjení akumulátoru

- Úplné nabití 2Ah akumulátoru může trvat až 60 minut.
- Úplné nabití 4Ah akumulátoru může trvat až 120 minut.

Jakmile bude akumulátor zcela nabit, odpojte zástrčku kabelu nabíječky ze zásuvky a vyjměte akumulátor z nabíječky.



*Nebude-li toto nářadí používáno delší dobu, dohlédněte na to, aby akumulátor byl před uložením nabit.*

#### Sestavení nářadí (obr. C, D)

- Připojte ramenní popruh (11) na poutko na rukojeti (9) pomocí karabinky (12).
- Uvolněte pojistný kroužek hlavy (3) jeho otočením proti směru hodinových ručiček. Pojistný kroužek by měl zůstat na hlavě.
- Nasaďte hlavu pily (1) na teleskopickou tyč (9) tak, že zasunete vodivou spojku (10) do hlavy.
- Pokud vodivou spojku (10) nezasunete pořádně, nemusí vzniknout elektrické spojení a nářadí nebude fungovat. Ověřte, že je vodivá spojka úplně zasunuta do hlavy řetězové pily. Šroub (20) na rukojeti musí být zakryt hlavou pily (1) a pojistným kroužkem (3).

- Zajistěte hlavu pily (1) otočením pojistného kroužku (3) po směru hodinových ručiček



*Popruh si nikdy nezapínejte šikmo přes rameno a hrudník, ale pověste si jej pouze na jedno z ramen. Takovým způsobem bude moci rychle odhodit nářadí v případě nebezpečí.*

#### Nastavení délky teleskopické tyče (obr. E-1, E-2)

- Odjistěním páčky (7) uvolněte teleskopickou tyč (9).
- Vysuňte nebo zasuňte teleskopickou tyč (9) na požadovanou délku.
- Zajistěte teleskopickou tyč pomocí páčky (7).

#### Nastavení úhlu hlavy řetězové pily (obr. F-1, F-2)

- Stiskněte tlačítko (2) na boku hlavy pily (1).
- Nastavte hlavu do požadované polohy.
- Uvolněte tlačítko (2) a ujistěte se, že se hlava zajistila na novém místě.

## 4. POUŽITÍ

#### Před použitím (obr. G)

Sejměte kryt řetězu (13) a zkontroluje hladinu oleje v nádržce (6). Nepoužívejte pilu s prázdnou nádržkou na olej. Používejte pouze biologicky odbouratelný olej na řetězové pily. Zkontrolujte, zda je řetěz (4) správně napnutý. Řetěz je správně napnutý, když ho lze rukou zvednout o asi 2-3 mm uprostřed lišty (5).

#### Zapnutí a vypnutí

Vždy držte teleskopickou řetězovou pilu oběma rukama. Položte jednu ruku na teleskopickou tyč (9) a druhou na zadní rukojeť do blízkosti vypínače. Po držte stisknutý vypínač (8), aby se stroj rozběhnul. Když vypínač uvolníte, stroj se automaticky zastaví.

#### Při používání

Uvedte pilový řetěz do pohybu dříve, než se pila dotkne dřeva. Při řezání příliš netlačte na řetězovou pilu. Udržujte konstantní rychlost a nechejte řetěz dělat práci. Pravidelně kontrolujte hladinu oleje v nádržce a doplňte ho dříve, než bude úplně spotřebován.

Při řezání velkých / dlouhých větví se doporučuje řezat postupně po menších částech.

**Po použití**

Otřete veškeré nečistoty z řetězu (4) pomocí kartáče nebo hadru. Před uložením stroje nasadte kryt řetězu (13) a vyjměte z něj akumulátor (14). Abyste zabránili úniku oleje při skladování, vypusťte veškerý zbývající olej z nádržky (6) do vhodné nádoby.

**5. ÚDRŽBA**

*Nářadí před čištěním a prováděním údržby vždy vypněte a vyjměte z něj akumulátor.*

Pravidelně čistěte kryt zařízení jemným hadříkem, ideálně po každém použití. Ujistěte se, že nejsou větrací otvory zaneseny prachem nebo jinými nečistotami. Odolnější nečistoty odstraňte pomocí jemného hadříku navlhčeného v mýdlové pěně. Ne-používejte žádná rozpouštědla, jako je benzín, líh, čpavek atd. Takové chemické látky mohou způsobit poškození dílů z umělé hmoty na stroji.

**Nastavení napnutí pilového řetězu (obr. H)**

Normální opotřebení způsobuje, že se řetěz časem mírně prodlouží. Řetězová pila je vybavena napínacím mechanismem, který kompenzuje toto natažení. Otáčením napínacího šroubu řetězu (21) na přední straně stroje upravte napnutí řetězu. Řetěz (4) je správně napnutý, když ho lze rukou zvednout o asi 2-3 mm uprostřed pilové lišty (5). Když napínací mechanismus již není schopen plně kompenzovat prodloužení řetězu, znamená to, že je řetěz opotřebovaný a musí být vyměněn.

**Výměna pilového řetězu (Obr. H)**

1. Odšroubujte šroub (22) a sejměte kryt (23).
2. Demontujte řetěz (4) a lištu řetězu (5). Starý řetěz zlikvidujte.
3. Nasadte nový řetěz na lištu řetězu. Ujistěte se, že velikost nového řetězu je správná a dodržujte správný směr pohybu řetězu.
4. Nasadte řetěz na hnací ozubené kolo a usadte lištu řetězu.
5. Zkontrolujte, že všechny části správně sedí a nasadte zpět kryt (23) a utáhněte šroub (22).
6. Zkontrolujte napnutí řetězu a podle potřeby ho seřďte.

**Skladování**

Teleskopická řetězová pila musí být uložena na bezpečném a suchém místě, mimo dosah dětí.

Nepokládejte na toto zařízení žádné předměty. Všimněte si, že ve víčku (6) nádržky na olej je malý odvzdušňovací kanálek. Stroj musí být skladován ve vodorovné poloze s víčkem nádržky nahoře, aby nemohlo dojít k úniku oleje tímto kanálkem. Po případ, pokud musí být stroj skladován v jiné poloze, musí být olej z nádrže vypuštěn do vhodné nádoby, aby nemohl vytéct během skladování.

**OCHRANA ŽIVOTNÍHO PROSTŘEDÍ**

*Poškozená a likvidovaná elektrická nebo elektronická zařízení musí být odevzdána ve sběrných dvorech, které jsou určeny pro tento účel.*

**Pouze pro země EU**

Nevyhazujte elektrická nářadí do běžného domácího odpadu. Podle evropské směrnice 2012/19/ES týkající se likvidace elektrických a elektronických zařízení a její implementace do vnitrostátního práva, musí být nepoužívaná elektrická nářadí shromazďována odděleně a jejich likvidace musí být provedena tak, aby nedošlo k ohrožení životního prostředí.

**ZÁRUKA**

Výrobky VONROC jsou vyvíjeny v souladu s požadavky norem na nejvyšší kvalitu a je zaručeno, že po dobu platné záruky, která začíná běžet dnem původního nákupu, nebudou na těchto výrobcích žádné vady materiálu, ani vady způsobené špatným dílenským zpracováním. Dojde-li během tohoto období k závadě v důsledku vady materiálu nebo dílenského zpracování, kontaktujte přímo firmu VONROC.

Z této záruky jsou vyloučeny následující případy:

- Opravy nebo úpravy tohoto zařízení byly provedeny nebo byly provedeny pokusy o jejich provedení v neautorizovaných servisech;
- Běžné opotřebování;
- Toto zařízení bylo nesprávně použito, nevhodně použito nebo nebyla prováděna jeho správná údržba;
- Byly použity neoriginální náhradní díly.

Výše uvedené představuje jedinou záruku poskytovanou společností, ať už výslovnou nebo předpokládanou. Neexistují žádné další záruky, výslovně ani nebo předpokládané, které přesahují rámec

zde uvedeného, včetně předpokládaných záruk prodejnosti a vhodnosti pro určitý účel. VONROC v žádném případě neodpovídá za jakékoliv náhodné ani následné škody. Opravné prostředky prodejců se omezují výhradně na opravu nebo výměnu nevyhovujících jednotek nebo dílů.

**Na tomto výrobku a v tomto návodu mohou být prováděny změny. Technické údaje mohou být změněny bez předchozího upozornění.**

## 1. GÜVENLİK TALİMATLARI

Ekteki güvenlik uyarılarını, ilave güvenlik uyarılarını ve talimatları okuyun. Güvenlik uyarılarını ve talimatları izlememek elektrik çarpması, yangın ve/veya ciddi yaralanma ile sonuçlanabilir. Güvenlik uyarılarını ve talimatları gelecekte referans olması için saklayın.

Aşağıdaki semboller kullanıcı kılavuzunda veya ürün üzerinde kullanılmaktadır:



*Kullanım kılavuzunu okuyun.*



*Bu kılavuzdaki talimatlara uymama durumunda bedensel yaralanma, can kaybı veya alete hasar riskini belirtir.*



*Elektrik çarpması riski.*



*Maksimum sıcaklık 45°C.*



*Bataryayı ateşe atmayın.*



*Bataryayı suya atmayın.*



*Baş koruması kullanın.*



*Güvenlik gözlükleri kullanın.*



*Yağmura maruz bırakmayın.*



*Ellerinizi bıçaktan uzak tutun.*



*Fırıl原因 nesnelere dikkat edin. İzleyicileri uzakta tutun.*



*Ürünü yüksek gerilim hatlarından uzak tutun!  
Minimum 10 metre mesafe.*



*Sınıf II cihaz. Çift yalıtım, topraklanmış bir prize ihtiyacınız yok.*



*Zaman gecikmeli minyatür sigorta bağlantısı.*



*Li-ion batarya için ayrı toplama.*



Ürünü, uygun olmayan konteynerlere atmayın.



Ürün, Avrupa yönergelerinde belirtilen, yürürlükteki güvenlik standartlarına uygundur.

## GENEL ELEKTRİKLİ ALET GÜVENLİK UYARILARI



**UYARI! Tüm güvenlik uyarılarını ve tüm talimatları okuyun.** Bu uyarıları ve talimatlara uyulmaması elektrik çarpması, yangın ve/veya ciddi yaralanma ile sonuçlanabilir.

### Tüm uyarıları ve talimatları gelecekte başvurmak üzere saklayın.

Uyarılardaki "elektrikli alet" terimi, şebeke elektriği ile çalışan (kablolu) elektrikli alet veya batarya ile çalışan (kablosuz) elektrikli alet anlamına gelir.

#### 1) Çalışma alanının güvenliği

- Çalışma alanının temiz ve aydınlık olmasını sağlayın.** Dağınık veya karanlık bölgeler, kazalara davetiye çıkarır.
- Elektrikli aletleri, yanıcı sıvılar, gazlar ve tozların bulunduğu yerler gibi tehlikeli ortamlarda çalıştırmayın.** Elektrikli aletler toz veya dumanları ateşleyebilecek kıvılcımlar üretir.
- Bir elektrikli aleti çalıştırırken çocuklardan ve etraftaki kişilerden uzak tutun.** Dikkatiniz dağılırsa kontrolü kaybedebilirsiniz.

#### 2) Elektrik güvenliği

- Elektrikli alet fişleri, prize uygun olmalıdır. Fişi, hiçbir şekilde modifiye etmeyin. Topraklı elektrikli aletlerle, herhangi bir fiş adaptörü kullanmayın.** Modifiye edilmemiş fişler ve buna uygun prizler, elektrik çarpması riskini azaltır.
- Borular, radyatörler, ocaklar ve buzdolapları gibi topraklanmış yüzeylerle temastan kaçının.** Eğer vücudunuz topraklanmışsa, elektrik çarpması riski daha fazla olur.
- Elektrikli aletleri yağmura maruz bırakmayın veya ıslatmayın.** Bir elektrikli alete su girmesi durumunda, elektrik çarpması riski artacaktır.
- Kabloyu başka amaçlarla kullanmayın. Kabloyu taşıma amacıyla, elektrikli aleti ya da elektrikli aletin fişini çekmek için kullanmayın. Kabloyu ısıdan, yağdan, keskin kenarlardan ya da hareketli parçalardan uzak tutun.** Hasar görmüş ya da dolaşmış kablolar, elektrik çarpması riskini artırır.

- Bir elektrikli aleti açık havada çalıştırırken, açık havada kullanıma uygun bir uzatma kablosu kullanın.** Dış mekan kullanımına uygun ir kablo kullanıldığında, elektrik çarpması riski azalır.
- Elektrikli aleti nemli bir konumda çalıştırmak kaçınılmazsa, kaçak akım cihazı (RCD) korumalı bir kaynak kullanın.** RCD kullanımı elektrik çarpması riskini azaltır.

#### 3) Kişisel güvenlik

- Elektrikli bir aleti kullanırken her zaman dikkatli olun, yaptığınız işe yoğunlaşın ve sağduyulu davranın. Bir elektrikli aleti yorgun olduğunuzda ya da uyuşturucu, alkol veya ilaç etkisinden dolayı kullanmayın.** Elektrikli aleti kullanırken bir anlık dikkatsizlik ciddi kişisel yaralanmalara neden olabilir.
- Kişisel koruyucu ekipman kullanın. Her zaman göz koruması takın.** Uygun durumlar için kullanılan toz maskesi, kaymaz güvenlik ayakkabıları, baret veya kulak tıkacı gibi koruyucu donanımlar, kişisel yaralanma riskini azaltacaktır.
- İstem dışı çalıştırılmasını önleyin. Bir elektrik kaynağını ve/veya pil takımını bağlamadan, aleti kaldırmadan ya da taşımadan önce elektrikli aletin anahtarının kapalı durumda olduğundan emin olun.** Elektrikli aletleri parmağınız düğme üzerindeyken taşımak veya elektrikli aletleri düğmesi açık konumda hareket ettirmek kazalara davetiye çıkarır.
- Elektrikli aleti çalıştırmadan önce her türlü ayar anahtarını çıkartın.** Elektrikli aletin dönen bir parçasında kalan bir anahtar, kişisel yaralanmalara neden olabilir.
- Ulaşmakta zorlandığınız yerlerde kullanmayın. Ayaklarınızı sağlam basın ve her zaman dengeli olun.** Böylece beklenmeyen durumlarda elektrikli aleti daha iyi kontrol edebilirsiniz.
- Uygun şekilde giyinin. Bol kıyafetler giymeyin, takı takmayın. Saçınızı, kıyafetlerinizi ve eldivenlerinizi, hareketli parçalardan uzak tutun.** Bol kıyafetler, takılar ya da uzun saç, hareketli parçalara takılabilir.
- Eğer kullandığınız üründe toz emme ve toplama özellikleri olan ataşmanlar varsa bunların bağlı olduğundan ve doğru şekilde kullanıldığınından emin olun.** Bu ataşmanların kullanılması tozla ilgili tehlikeleri azaltabilir.
- Aletlerin sık kullanılmasından edindiğiniz bilgi birikiminin sizi aşırı rahavete sürüklemesine izin vermeyin ve alet güvenliğiyle ilgili ilkeleri**

**göz ardı etmeyin.** Dikkatsiz bir hareket, bir saniyeden bile kısa sürede ciddi yaralanmalara neden olabilir.

#### 4) Elektrikli alet kullanımı ve bakımı

- Elektrikli aleti zorlamayın. Uygulamanız için doğru elektrikli aleti kullanın.** Doğru elektrikli alet, tasarımı amacına uygun olarak işi daha iyi yapacaktır.
- Çalıştırma düğmesi elektrikli aleti açıp kapatmıyorsa o elektrikli aleti kullanmayın.** Anahtarla kumanda edilemeyen elektrikli aletler tehlikelidir ve tamir edilmelidir.
- Herhangi bir ayar, aksesuar değişimi ya da depolama işleminden önce elektrikli aletin fişini elektrik kaynağından çıkarın ve/veya bataryayı elektrikli aletten çıkarın.** Bu tür önleyici güvenlik önlemleri, elektrikli aletin kazara çalışma riskini azaltır.
- Elektrikli aletleri çocukların erişemeyeceği bir yerde muhafaza edin ve elektrikli aletin nasıl çalıştığını ya da bu talimatları bilmeyen kişilerin elektrikli aleti kullanmasına izin vermeyin.** Elektrikli aletler, eğitimsiz kullanıcıların elinde tehlikeli olur.
- Elektrikli aletlerin bakımını yapın. Hatalı ayarlar veya hareketli parçaların bağlanması, parça kırılmaları ve elektrikli aletin çalışmasını etkileyecek diğer durumlar için kontrol gerçekleştirin.** Eğer herhangi bir hasar varsa, elektrikli alet kullanılmadan önce tamir edilmelidir. Çoğu kazaya bakımı iyi yapılmayan elektrikli aletler neden olur.
- Kesme aletlerini keskin ve temiz tutun.** Bakımı iyi yapılan ve keskin kenarlara sahip kesme aletlerinde donmalar daha az yaşanır ve kontrol edilmeleri daha kolay olur.
- Elektrikli aleti, aksesuarlarını ve aletin diğer parçalarını kullanırken bu talimatlara mutlaka uyun ve çalışma ortamının koşullarını ve yapılacak işin ne olduğunu göz önünde bulundurun.** Elektrikli aletin kullanım amacı dışında kullanılması, tehlikeli durumlarla sonuçlanabilir.
- Tutamakları ve tutma yerlerini kuru, temiz ve yağdan arındırılmış şekilde muhafaza edin.** Kaygan tutamaklar ve tutma yerleri, beklenmedik durumlarda aletin güvenli şekilde taşınmasına ve kontrol edilmesine izin vermez.

#### 5) Batarya ile çalışan alet kullanımı ve bakımı

- Yalnızca üretici tarafından belirtilen şarj aletiyle şarj edin.** Bir batarya için uygun olan şarj cihazı başka bir batarya ile kullanıldığında yangın tehlikesi yaratabilir.
- Elektrikli aletleri yalnızca özel olarak belirlenmiş bataryalarla kullanın.** Başka bataryaların kullanımı yaralanma ve yangın riski oluşturabilir.
- Bataryayı kullanılmadığında, iki kutbu birbirine temas ettirebilecek ataç, bozuk para, anahtar, çivi, vida ve diğer küçük metal nesnelere uzak tutun.** Batarya kutuplarının kısa devre yaptırılması yanık veya yangına neden olabilir.
- Kötü kullanım koşullarında bataryadan sıvı akabilir; buna temastan kaçının. Kazara temas gerçekleşirse, suyla yıkayın. Sıvı gözlerle temas ederse ilave tıbbi yardım isteyin.** Bataryadan sızan sıvı tahriş veya yanıklara neden olabilir.
- Hasarlı veya üzerinde değişiklik yapılmış bir batarya veya aleti kullanmayın.** Hasarlı veya üzerinde değişiklik yapılmış bataryalar, yangın, patlama ya da yaralanma riskiyle sonuçlanan beklenmedik davranışlar sergileyebilir.
- Batarya veya aleti ateşe ya da aşırı sıcaklığa maruz bırakmayın.** Ateşe veya 130 °C üzeri sıcaklıklara maruz kalması patlamaya yol açabilir. NOT Sıcaklık birimi olarak, "130 °C" yerine "265 °F" kullanılabilir.
- Tüm şarj talimatlarına uyun ve batarya veya aleti talimatlarda belirtilen sıcaklık aralığının dışındaki ortamlarda şarj etmeyin.** Yanlış şekilde veya belirtilen aralığın dışındaki sıcaklıklarda şarj etmek bataryaya zarar verebilir ve yangın riskini artırabilir.

#### 6) Servis

- Elektrikli aletinizi, sadece orijinal yedek parçaları kullanan bir yetkili servise tamir ettirin.** Bu, elektrikli aletin güvenliğinin korunmasını sağlayacaktır.
- Hasarlı bataryalara asla kendiniz bakım yapmaya çalışmayın.** Bataryadaki bakım işlemleri sadece üretici veya yetkili servisler tarafından yapılmalıdır.

#### TELESKOPİK ZİNCİRLİ TESTERE GÜVENLİK UYARILARI

- Tüm vücut uzuvlarınızı zincirli testereden uzak tutun.** Zincirli testere hareket ederken kesilen malzemeleri temizlemeye çalışmayın veya elinizle tutmayın. Sıkışan malzemeyi temizlerken aletin kapalı olduğundan ve bataryanın çıkartıl-

diğinden emin olun. Zincirli testereyi kullanırken bir anlık dikkatsizlik ciddi yaralanmalara neden olabilir.

- b) **Zincirli testere gömülü kablolarla temas edebileceğinden elektrikli aleti yalnızca yalıtımlı tutma yüzeylerinden tutun.** Zincirli testerenin, "elektrik akımı" bulunan kablolarla teması halinde "akım", aletin iletken metal parçaları üzerinden operatöre iletilerek elektrik çarpmasına yol açabilir.
- c) **Elektrikli aleti sıkı tutun, bedeninizi ve kolunuzu geri tepme kuvvetlerine dayanmanızı sağlayacak şekilde konumlandırın.** Uygun önlemler alırsa, geri tepme kuvvetleri operatör tarafından kolayca kontrol edilebilir. Teleskopik zincir testereyi yere bırakmayın.
- d) **Bir dalı keserken geri tepmeye karşı dikkatli olun.** Dal çekildiği zaman eğilebilir ve testere zincirinde sıkışabilir.
- e) **Zincirli testereyi kapalı şekilde, daima iki elinizle tutarak ve testere zinciri kılıfı takılı olarak taşıyın.** Zincirli testerenin doğru şekilde tutulması, hareketli testere zinciriyle kazara temas ihtimalini azaltır.
- f) **Teleskopik zincirli testereyi bir ağaç üzerinde çalıştırmayın.** Teleskopik zincirli testerenin bir ağaca tırmanırken veya bir ağaç üzerinde otururken çalıştırılması ciddi yaralanmaya neden olabilir.
- g) **Daima dengeli şekilde durun ve zincirli testereyi yalnızca sabit, güvenli ve düz bir zeminde dururken çalıştırın.** Merdiven gibi kaygan veya dengesiz yüzeyler, zincirli testerenin dengesinin veya kontrolünün kaybına neden olabilir.
- h) **Yağlama, zincir gerdirme ve aksesuar değiştirme talimatlarını izleyin.** Uygun olmayan şekilde gerilmiş veya yağlanmış zincir kırılabilir ya da geri tepme olasılığı artabilir.
- i) **Tutamakları kuru, temiz ve yağdan arınmış şekilde muhafaza edin.** Yağlı tutamaklar kaygan olduğundan kontrol kaybını beraberinde getirir.
- j) **Sadece ahşap kesin.** Teleskopik zincirli testereyi, tasarlandığı amaçlar dışında kullanmayın. Örnek: zincirli testereyi plastik, duvar veya diğer ahşap olmayan yapı malzemelerini kesmek için kullanmayın. Teleskopik zincirli testerenin tasarlandığı amaç dışındaki farklı işlemler için kullanılması tehlikeli bir duruma neden olabilir.
- k) **Geri tepme nedenleri ve operatörün alacağı önlemler:**
  - Kılavuzun burnu veya ucu bir nesneye dokunduğunda veya ahşabın kapanarak teste-

re zincirini kesim yerinde sıkışmasına neden olduğunda geri tepme meydana gelebilir.

- Bazı durumlarda uç teması, kılavuzun operatöre doğru yukarı ve geriye doğru itilerek ani bir ters tepki oluşmasına neden olabilir.
  - Testere zincirinin kılavuzun üst kısmı boyunca sıkışması, kılavuzu operatöre doğru hızlı bir şekilde geri itebilir.
- Bu reaksiyonlardan herhangi biri, teleskopik zincirli testerenin kontrolünü ciddi yaralanmayı beraberinde getirecek şekilde kaybetmenize neden olabilir. Bir zincir testere kullanıcısı olarak, kesme işleri sırasında kaza veya yaralanmalardan korunmak için bazı önlemler almalısınız.
- Geri tepme, ürünün yanlış veya hatalı kullanımının bir sonucudur. Geri tepme aşağıda belirtilenler gibi uygun önlemler alınarak engellenebilir.**
- l) **Yalnızca üretici tarafından belirtilen yedek testere zincirlerini kullanın.** Yanlış testere zincirleri, zincirin kırılmasına veya geri tepmeye neden olabilir.
  - m) **Çubuk hasar görmüşse ve değiştirilmesi gerekiyorsa lütfen bayinize danışın.**
  - n) **Bu zincirli testerede, testere zincirinin kazara çalışmasını önlemek için mekanik kilitli bir düğme mevcuttur.** Zincir testereyi çalıştırmak için, testere zinciri çalışmaya başlamadan önce kilitleme düğmesine basılmalıdır
    - Ürünü kilitleme düğmesine basmadan kullanmayınız.
    - Bu aleti tek elle çalıştırmayın. Ürünü iki elinizle sıkıca tutun; bir elinizi ürünü güvenli bir şekilde tutmak için kullanın, diğer elinizi Açma/Kapama düğmesini çalıştırmak için kullanın.
  - o) **Çocukların, fiziksel, duyuşsal veya zihinsel engelleri olan ya da deneyim ve/veya bilgi eksikliği bulunan kişilerin ve/veya bu talimatlara aşina olmayan kişilerin makineyi kullanmasına asla izin vermeyin.** Yerel yönetmelikler, operatörün yaşıyla ilgili sınırlandırma getirebilir.
  - p) **Çocuklar, bu makineyle oynamadıklarından emin olmak için gözetim altında tutulmalıdır.**
  - q) **Teleskopik zincirli testereyi kullanılmadığı zamanlarda çocukların erişemeyeceği bir yerde saklayın.**
  - r) **Çalıştırmadan önce çalışma alanını kontrol edin ve olası tüm tehlikeleri ortadan kaldırın.**
  - s) **Makineyi yere koymadan önce daima makinenin tamamen durmasını bekleyin ve bataryayı çıkartın.** Zincirli testere sıkışabilir, geri tepebilir ve makinede kontrol kaybına yol açabilir.
  - t) **Çalıştığınız yeri değiştirirken zincirli testereyi kapatın.**



- u) **Kesilmiş bir dal, üzerinize düşerek veya yerden fırlayarak yaralanmaya yol açabilir.** Uzun dalları parçaları halinde kesin.
- v) **Dal tamamen kesilmeden önce kuvveti azaltın.** Dengenizi ve zincirli testerenin kontrolünü kaybettiğinizde yaralanabilirsiniz.
- w) **Aleti kullanmadığınız zamanlarda ağaca asma-  
yın.** Aleti daima bataryayı çıkarmadan güvenli bir konumda yere koyun.

### EK GÜVENLİK UYARILARI

- a) **Bu cihaz, bu kişilerin güvenliğinden sorumlu bir kişi tarafından gözetim veya talimat verilmediği sürece,** fiziksel, duysal veya zihinsel engelli veya yeterli deneyim ve bilgiden yoksun kişilerce (çocuklar dahil) kullanılamaz. Çocuklar, bu cihazla oynamadıklarından emin olmak için gözlem altında tutulmalıdır.
- b) **Makine ile çalışırken aleti daima iki elinizle sıkıca tutun ve güvenli bir duruş pozisyonu sağlayın.** Elektrikli alet iki elinizle daha güvenli yönlendirilir.
- c) **Makineyi kullanırken her zaman tüm tutamakların ve siperlerin takılı olduğundan emin olun.** Tam monte edilmemiş bir makineyi veya üzerinde izinsiz bir değişiklik yapılmış bir makineyi kesinlikle kullanmaya çalışmayın.
- d) **Kullanmadan önce testere zincirini daima koruyucu spreyle yağlayın.**
- e) **Makineyi yere koymadan önce daima tamamen durmasını bekleyin.**
- f) **Makine kullanılırken diğer kişiler ve hayvanlar 3 metre veya daha fazla mesafede durmalıdır.** Çalışma alanındaki üçüncü şahıslardan operatör sorumludur.
- g) **Testere zincirini asla elinizle tutmayın.**
- h) **Çocuklar veya bu talimatlar hakkında bilgi sahibi olmayan kişiler zincirli testereyi çalıştırmamalıdır.** Yerel yönetmelikler, operatörün yaşıyla ilgili sınırlandırma getirebilir.
- i) **Diğer kişilere veya onların mallarına gelebilecek kazalar veya tehlikelerden kullanıcı sorumludur.**
- j) **Zincirli testereyi çıplak ayakla veya açık sandaletlerle çalıştırmayın, her zaman sağlam ayakkabılar ve uzun pantolonlar giyin.** Sağlam eldiven, kaymayan ayakkabı ve koruyucu gözlük kullanılması tavsiye edilir. Hareketli parçalara takılabilecek şekilde bol kıyafetler giymeyin veya takı takmayın.
- k) **Zincirli testerenin kullanılacağı alanı iyice inceleyin ve tüm kablo, tel ve diğer yabancı nesnelere temizleyin.**

- l) **Çalıştırmadan önce testere zincirini, çubuğu ve civataları aşınma veya hasar açısından kontrol edin.** Hasarlı veya aşırı yıpranmış bir zincirli testereyle çalışmayın.
- m) **Acil bir durumda zincirli testereyi nasıl hızlı bir şekilde durduracağınızı öğrenin.**
- n) **Zincirli testereyi yalnızca gün ışığında veya iyi bir aydınlatma olduğunda kullanın.**
- o) **Zincirli testereyi asla siper yerinde olmadan veya hasarlı siperlerle çalıştırmayın.**
- p) **Zincirli testereyi asla siperden tutarak taşımayın.**
- q) **Teleskopik zincirli testereyi çalıştırırken, her zaman düzgün bir duruş ve denge sağlayın.**
- r) **Çevrenize daima dikkat edin ve zincirli testereyi çalıştırırken sesini duyamayacağımız olası tehlikelere karşı tetikte olun.**
- s) **Zincirli testerenin daima güvenli koşullarda çalıştığından emin olmak için tüm somun, civata ve vidaların sıkı olmasına dikkat edin.**
- t) **Teleskopik zincirli testere, çocukların erişemeyeceği kuru, yüksek veya kilitli bir yerde saklanmalıdır.**
- u) **Güvenlik için, yıpranmış veya hasarlı parçaları değiştirin.**
- v) **Bu konuda uzman olmadığınız sürece makineyi kendiniz tamir etmeye çalışmayın.**
- w) **Ürünü iki elinizle sıkıca tutun.**

### BATARYA İÇİN GÜVENLİK UYARILARI

- a) **Bataryanın içini açmayın.** Kısa devre tehlikesi.
- b) **Bataryayı ısıya, sürekli yoğun güneş ışığına, yangına, suya ve neme karşı koruyun.** Patlama tehlikesi.
- c) **Bataryanın hasar görmesi ve yanlış kullanılması durumunda duman çıkabilir.** Bölgeyi havalandırın ve şikayet durumunda tıbbi yardım alın. Duman solunum sistemini tahriş edebilir.
- d) **Bataryayı sadece Vonroc ürününüzle bağlantılı olarak kullanın.** Bu önlem tek başına bataryayı tehlikeli aşırı yüklenmeye karşı korur.
- e) **Batarya, çivi veya tornavida gibi sivri uçlu nesnelere veya dışarıdan uygulanan kuvvetten ötürü zarar görebilir.** Dahili bir kısa devre oluşabilir ve batarya yanabilir, duman çıkabilir, patlayabilir veya aşırı ısınabilir.

### ŞARJ ALETİ İÇİN GÜVENLİK UYARILARI

#### Kullanım amacı

Şarj aletiyle yalnızca CD801AA ve CD803AA tipi şarj edilebilir Bataryaları şarj edin. Başka tip bataryalar patlayarak yaralanmalara ve hasara neden olabilir.

- a) Cihaz, gözetim altında tutulmaksızın veya cihazın kullanımı hakkında bilgi verilmeksizin, fiziksel, duyuusal veya zihinsel kapasiteleri sınırlı veya ilgili deneyim ve bilgiden yoksun kişiler (çocuklar dahil) tarafından kullanılmalıdır.
- b) Çocuklar cihazla oynamaları için gözetim altında tutulur.
- c) Şarj edilebilir olmayan bataryaları şarj etmeyin!
- d) Şarj sırasında bataryalar iyi havalandırılmalı bir bölgeye yerleştirilmelidir!

### Elektrik güvenliği



*Daima güç kaynağı geriliminin anma değerleri plakasındaki gerilime karşılık gelip gelmediğini kontrol edin.*

- Güç kaynağı kablosu veya şebeke fişi hasar görmüşse makineyi kullanmayın. açısından uygun, minimum 1,5 mm2 kalınlığa sahip uzatma kabloları kullanın.
- Bir uzatma kablosu makarası kullanıyorsanız kabloyu daima tam olarak açın.

## 2. MAKİNE BİLGİSİ

### Kullanım amacı

Bu makine, kullanıcı yerdeyken yüksek konumdaki ağaçları ve çalılıarı budamak için evde kullanım amacıyla tasarlanmıştır. Makine bir merdiven veya basamaklarda kullanılmak üzere tasarlanmamıştır. Makine inorganik malzemeleri kesmek için tasarlanmamıştır. Bu alet ticari veya endüstriyel amaçlı kullanım için tasarlanmamıştır.

### TEKNİK SPESİFİKASYONLAR



*Bu kılavuz farklı takımlar/ürün numaraları için hazırlanmıştır. Takımınızın doğru bileşenleri ve içeriği için aşağıdaki özellikler tablosundaki ilgili ürün numarasına bakın.*

Model No.	Dahil olan bataryalar	Dahil olan şarj aletleri
CS504DC	-	-
S_CS504DC	CD801AA	CD802AA
S2_CS504DC	2 x CD801AA	CD802AA
S3_CS504DC	CD803AA	CD802AA

Makine bilgisi	
Voltaaj	20 V
Zincir hızı	5m/s
Zincir çubuğu uzunluğu	200 mm
Zincir uzunluğu	44T
Zincir hatvesi	1/4"
Zincir ölçeği	0,043"
Uzunluk ayarı	200-260 cm
Ses basınç seviyesi (LpA)	78,2dB, k=3dB
Ses basınç seviyesi (LWA)	88 dB(A) K= 3 dB(A)
Garanti edilen LWA	91dB
Vibrasyon	ön tutamak a <sub>n</sub> =2,74m/s <sup>2</sup> arka tutamak a <sub>n</sub> =2,69m/s <sup>2</sup> K=1.5m/s <sup>2</sup>
Ağırlık	2,3kg

Model No.	CD801AA
Batarya tipi	Lityum-iyon
Voltaaj	20 V
Kapasite	2,0 Ah
Önerilen şarj cihazı	CD802AA
Ağırlık	0,3kg

Model No.	CD802AA
Şarj aleti girişi	220-240V, 50Hz 0,4A
Şarj aleti çıkışı	21V  2,5A
2Ah batarya için şarj olma süresi	60 dakika
4Ah batarya için şarj olma süresi	120 dakika
Önerilen bataryalar	CD801AA, CD803AA
Ağırlık	0,36kg

Model No.	CD803AA
Batarya tipi	Lityum-iyon
Voltaaj	20 V
Kapasite	4,0 Ah
Önerilen şarj cihazı	CD802AA
Ağırlık	0,65kg

Sadece aşağıdaki VONROC VPOWER 20V batarya platformuna ait bataryaları kullanın. Başka batarya

kullanmak, ciddi yaralanmalara neden olabilir veya alete zarar verebilir.

CD801AA 20V, 2Ah Lityum-iyon  
CD803AA 20V, 4Ah Lityum-iyon

Bu bataryaları şarj etmek için aşağıdaki şarj aleti kullanılabilir.

CD802AA Hızlı şarj aleti

VONROC VPOWER 20V batarya platformuna ait bataryalar, tüm VONROC VPOWER 20V batarya platformu aletleriyle karşılıklı değiştirilerek kullanılabilir.

### AÇIKLAMA

Metindeki numaralar sayfa 2-5'deki çizimleri işaret etmektedir.

1. Zincirli testere kafası
2. Kafa ayarlama düğmesi
3. Kafa kilitleme halkası
4. Testere zinciri
5. Zincirli testere çubuğu
6. Yağ haznesi kapağı
7. Tutamak kilitleme kolu
8. Çalıştırma düğmesi
9. Teleskopik tutamak
10. Elektrik konektörü
11. Omuz askısı
12. Tespit segmanı
13. Zincir kılıfı
14. Batarya
15. Batarya şarj aleti
16. Batarya serbest bırakma düğmesi
17. Batarya LED göstergeleri düğmesi
18. Batarya LED göstergeleri
19. Şarj aleti LED göstergeleri

## 3. MONTAJI



*Elektrikli alet üzerinde herhangi bir işlem yapmadan (bakım, alet değişimi, montaj) önce bataryayı elektrikli aletten çıkarın.*



*İlk kullanımdan önce pil şarj edilmelidir.*

### Bataryanın makineye takılması (Şekil B-1)

Şarj aletine veya makineye bağlamadan önce pilin dış kısmının temiz ve kuru olmasını sağlayın.

1. Bataryayı (14) Şekil B-1'de gösterildiği gibi makinenin tabanına takın.
2. Yerine oturana kadar bataryayı ileriye doğru itin.

### Bataryanın makineden çıkartılması (Şekil B-1)

1. Batarya serbest bırakma düğmesine (16) basın.
2. Bataryayı, Şekil B-1'de gösterildiği gibi makineden çekin.

### Batarya şarj durumunun kontrol edilmesi (Şekil B-2)

- Batarya şarj durumunu kontrol etmek için, batarya üzerindeki düğmeye (17) kısa süreli basın.
- Batarya, şarj seviyesini belirten 3 ışığa sahiptir, ne kadar çok ışık yanarsa, bataryada o kadar çok şarj kalmış demektir.
- Işıklar yanmıyorsa batarya boş demektir ve hemen şarj edilmelidir.

### Bataryanın şarj cihazıyla şarj edilmesi (Şekil B-2)

1. Bataryayı (14) makineden çıkartın.
2. Bataryayı (14) baş aşağı konuma çevirin ve Şekil B-2'de gösterildiği gibi şarj cihazının (15) üzerine kaydırın.
3. Yuvaya tamamen yerleşene kadar bataryayı itin.
4. Şarj cihazı fişini bir elektrik çıkışına takın ve bir süre bekleyin. Şarj cihazı (19) üzerindeki LED göstergeleri yanacak ve şarj durumunu gösterecektir.

### Şarj cihazı, şarj sürecinin durumunu gösteren 2 LED göstergesine (19) sahiptir.

Kırmızı LED Durumu	Yeşil LED Durumu	Şarj aleti durumu
Kapalı	Kapalı	Güç yok
Kapalı	Açık	Bekleme modu: - Batarya mevcut değil veya: - Batarya mevcut fakat şarj işlemi sona ermiş
Açık	Kapalı	Batarya şarj ediliyor

- 2Ah bataryayı tam olarak şarj etmek 60 dakika sürebilir.
- 4Ah bataryayı tam olarak şarj etmek 120 dakika sürebilir.

Batarya tamamen şarj olduktan sonra şarj cihazı fişini prizden çıkarın ve bataryayı şarj cihazından çıkarın.



*Makine uzun bir süre kullanılmıyacaksa, bataryayı şarj edilmiş durumda saklamak en iyisidir.*

### Aletin montajı (Şekil C, D)

- Omuz askısını (11) tespit segmanı (12) kullanarak tutamak (9) üzerindeki halkaya takın.
- Kafa kilitleme halkasını (3) saat yönünün tersine çevirerek serbest bırakın. Halkayı kafadan tamamen çıkarmayın.
- Elektrik konektörünü (10) kafaya takarak çit kesici kafasını (1) teleskopik tutamağa (9) takın.
- Konektör (10) düzgün takılmadıysa, elektrik bağlantısı olmayabilir ve alet çalışmayabilir. Elektrik konektörünün zincirli testere kafasına tam olarak takıldığından emin olun. Tutamak üzerindeki vida (20), zincirli testere kafası (1) ve kilitleme halkası (3) tarafından kapatılmalıdır.
- Kilitleme halkasını (3) saat yönünde çevirerek zincirli testere kafasını (1) sabitleyin



*Kemeri asla omuz ve göğüs üzerinden çapraz olarak bağlamayın, omuzlardan birine takın. Bu sayede tehlike anında aleti vücudunuzdan hızlıca çıkarabilirsiniz.*

### Teleskopik uzunluğun ayarlanması (Şekil E-1, E-2)

- Teleskopik tutamağı (9) serbest bırakmak için tutamağın (7) kilidini açın.
- Teleskopik tutamağı (9) istenen uzunluğa uzatın veya geri çekin.
- Kolu (7) kilitleyerek teleskopik tutamağı sabitleyin.

### Döner zincirli testere kafasının ayarlanması (Şekil F-1, F-2)

- Zincirli testere kafasının (1) yanındaki düğme-ye (2) basın.
- Kafayı istenen konuma ayarlayın.
- Düğmeyi (2) bırakın ve kafanın yerine kilitlendiğinden emin olun.

## 4. ÇALIŞTIRMA

### Kullanmadan önce (Şekil G)

Zincir kılıfını (13) çıkarın ve haznedeki (6) yağ seviyesini kontrol edin. Testereyi boş bir yağ haznesi ile çalıştırmayın. Yalnızca biyolojik olarak parçalanabilen zincirli testere yağı kullanın. Zincirin (4) doğru gerginlikte olup olmadığını kontrol edin. Zincir çubuğunun (5) ortasında elle yaklaşık 2-3 mm kaldırıldığında zincir doğru şekilde gerilmiştir.

### Açma ve kapatma

Teleskopik zincirli testereyi her zaman iki elinizle tutun. Bir elinizi teleskopik tutamağa (9) ve diğer elinizi çalışma düğmesinin yanındaki arka tutama-

ğa koyun. Makineyi çalıştırmak için çalışma düğmesine (8) basın ve basılı tutun. Çalıştırma düğmesi bırakıldığında makine otomatik olarak duracaktır.

### Kullanım sırasında

Ahşaba temas etmeden önce zincirin hızını artırın. Keserken zincirli testereyi zorlamayın. Makineyi sabit bir hızda tutun ve işi zincirin çalışmasına bırakın. Haznedeki yağ seviyesini düzenli olarak kontrol edin, hazne tamamen boşalmadan önce yağ doldurun.

Büyük/uzun dalları keserken, parçalar halinde kesilmesi önerilir.

### Kullanım sonrası

Bir fırça veya bez kullanarak zincirdeki (4) kir ve kalıntıları silin. Makineyi depoya kaldırmadan önce zincir kılıfını (13) yerleştirin ve bataryayı (14) çıkarın. Depolama sırasında yağ sızıntısını önlemek için haznedeki (6) kalan yağı uygun bir kaba boşaltın.

## 5. BAKIM



*Temizlik ve bakımdan önce her zaman makineyi kapatın ve bataryayı makineden çıkartın.*

Makine kaplamalarını yumuşak bir bezle, tercihen her kullanımdan sonra düzenli olarak temizleyin. Havalandırma deliklerinin toz ve kirden arınmış olduğundan emin olun. Çok inatçı kirleri sabun köpüğüyle ıslatılmış yumuşak bir bezle çıkarın. Benzin, alkol, amonyak vb. gibi çözücü maddeleri kullanmayın. Bu tür kimyasallar sentetik bileşenlere zarar verir.

### Testere zinciri gerginliğinin ayarlanması (Şekil H)

Normal aşınma, zincirin zaman içinde yavaşça esneyip genişlemesine neden olur. Zincirli testere, bu gerilmeyi telafi etmek için bir germe mekanizmasına sahiptir. Zincir gerginliğini ayarlamak için makinenin önündeki zincir gerginliği ayarlama civatasını (21) çevirin. Zincirin çubuğunun (5) ortasında elle yaklaşık 2-3 mm kaldırıldığında zincir (4) doğru şekilde gerilmiştir. Gerdirmeye mekanizması artık esnemeyi tam olarak telafi edemediğinde, zincir aşınır ve değiştirilmesi gerekir.

### Testere zincirinin değiştirilmesi (Şekil H)

1. Vidayı (22) gevşetin ve kılıfı (23) çıkarın.
2. Zinciri (4) ve zincirli testere çubuğunu (5) çıkarın. Eski zinciri atın.

3. Yeni zinciri zincir çubuğunun etrafına yerleştirin. Yeni zincirin boyutunun doğru olduğundan emin olun ve zincirin doğru hareket yönüne dikkat edin.
4. Zinciri tahrik dişlisinin üzerine geçirin ve zincir çubuğunu yeniden yerine oturtun.
5. Tüm parçaların doğru şekilde oturduğundan emin olun ve kılıfı (23) geri takın ve vidayı (22) sıkın.
6. Zincir gerginliğini kontrol edin ve gerekirse ayarlayın.

### **Saklama**

Teleskopik zincir testerenin, çocukların erişemeyeceği, güvenli ve kuru bir yerde saklanması gerekir. Aletin üzerine başka nesnelere koymayın. Yağ deposu kapağında (6) küçük bir havalandırma kanalı olduğuna dikkat edin. Kapaktaki kanaldan yağ sızıntısını önlemek için makine, hazne kapağı en üstte olacak şekilde ve yatay konumda muhafaza edilmelidir. Alternatif olarak, makinenin farklı bir konumda saklanması gerekiyorsa, saklama sırasında sızıntıyı önlemek için yağın haznedeki uygun bir kaba boşaltılması gerekir.

## **ÇEVRE**



*Arızalı ve/veya atılmış elektrikli veya elektronik ekipmanların uygun geri dönüşüm konumlarında toplanması gerekir.*

### **Yalnızca AT ülkeleri için**

Elektrikli aletleri evsel atık olarak atmayın. Elektrikli ve Elektronik Teçhizat Atıkları için Avrupa İlkeleri 2012/19/EC'ye ve bunun yerel hukuk çerçevesinde uygulamasına göre, artık kullanılamaz olan elektrikli aletler ayrı olarak toplanmalı ve çevreye zarar veremeyecek bir yöntemle imha edilmelidir.

## **GARANTİ**

VONROC ürünleri en yüksek kalite standartlarına göre geliştirilir ve orijinal satın alma tarihinden itibaren yasal olarak öngörülen süre boyunca hem malzeme hem de işçilik açısından kusursuzluk garantisi verilir. Bu süre içinde üründe kusurlu malzeme ve/veya işçilik nedeniyle herhangi bir arıza meydana gelirse, doğrudan VONROC ile iletişime geçin.

Aşağıdaki durumlar bu garantinin dışındadır:

- Makinede, yetkili olmayan servis merkezleri tarafından onarım ve/veya değişiklikler yapılmış veya denenmişse;
- Normal aşınma ve yıpranma;
- Alet kötü amaçlı veya yanlış kullanılmışsa veya uygunsuz şekilde bakımı yapılmışsa;
- Orijinal olmayan yedek parçalar kullanılmışsa.

Bu, şirket tarafından açık veya zımni olarak verilen yegane garantiyi teşkil eder. İşbu kapsamda, satılabilirlik ve belirli bir amaca uygunluk zımni garantileri de dahil olmak üzere, burada görünenin ötesine geçen açık veya zımni herhangi bir başka garanti mevcut değildir. VONROC hiçbir durumda arızı veya dolaylı zararlardan sorumlu tutulamaz. Bayi tarafından sunulan çözümler; uygun olmayan birimlerin veya parçaların onarımı veya değiştirilmesi ile sınırlıdır.

**Ürün ve kullanım kılavuzunda değişiklik yapılabilir. Teknik özellikler, önceden bildirilmeksizin değiştirilebilir.**





## DECLARATION OF CONFORMITY

### CS504DC / S\_CS504DC / S2\_CS504DC / S3\_CS504DC - TELESCOPIC CHAIN SAW

- (EN) We declare under our sole responsibility that this product is in conformity with directive 2011/65/EU of the European parliament and of the council of 8 June on the restriction of the use of certain hazardous substances in electrical and electronic equipment is in conformity and accordance with the following standards and regulations:
- (DE) Der Hersteller erklärt eigenverantwortlich, dass dieses Produkt der Direktive 2011/65/EU des Europäischen Parlaments und des Rats vom 8. Juni 2011 über die Einschränkung der Anwendung von bestimmten gefährlichen Stoffen in elektrischen und elektronischen Geräten entspricht. den folgenden Standards und Vorschriften entspricht:
- (NL) Wij verklaren onder onze volledige verantwoordelijkheid dat dit product voldoet aan de conform Richtlijn 2011/65/EU van het Europees Parlement en de Raad van 8 juni 2011 betreffende beperking van het gebruik van bepaalde gevaarlijke stoffen in elektrische en elektronische apparatuur en in overeenstemming is met de volgende standaarden en reguleringen:
- (FR) Nous déclarons sous notre seule responsabilité que ce produit est conforme aux standards et directives suivants: est conforme à la Directive 2011/65/EU du Parlement Européen et du Conseil du 8 juin 2011 concernant la limitation d'usage de certaines substances dangereuses dans l'équipement électrique et électronique.
- (ES) Declaramos bajo nuestra exclusiva responsabilidad que este producto cumple con las siguientes normas y estándares de funcionamiento: se encuentra conforme con la Directiva 2011/65/UE del Parlamento Europeo y del Consejo de 8 de junio de 2011 sobre la restricción del uso de determinadas sustancias peligrosas en los equipos eléctricos y electrónicos.
- (IT) Dichiariamo, sotto la nostra responsabilità, che questo prodotto è conforme alle normative e ai regolamenti seguenti: è conforme alla Direttiva 2011/65/UE del Parlamento Europeo e del Consiglio dell'8 giugno 2011 sulla limitazione dell'uso di determinate sostanze pericolose nelle apparecchiature elettriche ed elettroniche.
- (SV) Vi garanterar på eget ansvar att denna produkt uppfyller och följer följande standarder och bestämmelser: uppfyller direktiv 2011/65/EU från Europeiska parlamentet och EG-rådet från den 8 juni 2011 om begränsningen av användning av farliga substanser i elektrisk och elektronisk utrustning.
- (EN) Vakuutamme omalla vastuullamme, että tämä tuote on tiettyjen vaarallisten aineiden käytön rajoittamisesta sähkö- ja elektroniikkalaitteissa 8. kesäkuuta annetun Euroopan parlamentin ja neuvoston direktiivin 2011/65/EU mukainen. Se täyttää seuraavien standardien ja määräysten vaatimukset:
- (NO) Vi erklærer under vårt eget fulle ansvar at dette produktet er i samsvar med direktiv 2011/65/EU fra det europeiske parlamentet og rådet av 8. juni om begrensning av bruken av visse farlige stoffer i elektrisk og elektronisk utstyr, og at det er i samsvar og overensstemmelse med følgende standarder og forskrifter:
- (DA) Vi erklærer under eget ansvar, at dette produkt er i overensstemmelse med følgende standarder og bestemmelser: er i overensstemmelse med direktiv 2011/65/EU fra Europa-Parlamentet og Rådet af 8. juni 2011 om begrænsning af anvendelsen af visse farlige stoffer i elektrisk og elektronisk udstyr.
- (PL) Deklarujemy na własną odpowiedzialność, że ten produkt spełnia wymogi zawarte w następujących normach i przepisach: jest zgodny z Dyrektywą 2011/65/UE Parlamentu Europejskiego i Rady z dnia 8 czerwca 2011 r. w sprawie ograniczenia stosowania niektórych niebezpiecznych substancji w sprzęcie elektrycznym i elektronicznym.
- (RO) Declaram prin aceasta cu răspunderea deplină că produsul acesta este în conformitate cu următoarele standarde sau directive: este în conformitate cu Directiva 2011/65/UE a Parlamentului European și a Consiliului din 8 iunie 2011 cu privire la interzicerea utilizării anumitor substanțe periculoase la echipamentele electrice și electronice.
- (PT) Declaramos, sob nossa exclusiva responsabilidade, que este produto está em conformidade com a directiva 2011/65/UE do Parlamento Europeu e com a do conselho de 8 de Junho sobre a restrição da utilização de determinadas substâncias perigosas em equipamento eléctrico e electrónico está em conformidade e de acordo com as seguintes normas e regulamentações:
- (HU) Kizárólagos felelősségünk tudatában kijelentjük, hogy ez a termék megfelel az Európai Parlamentnek és a Tanácsnak az egyes veszélyes anyagok elektromos és elektronikus berendezésekben való alkalmazásának korlátozásáról szóló 2011/65/EU irányelvének (2011. június 8.), valamint a következő szabványoknak és jogszabályoknak:
- (CS) Prohlašujeme na svou výhradní odpovědnost, že tento výrobek splňuje požadavky směrnice 2011/65/EU Evropské rady a parlamentu ze dne 8. června, která se týká omezení používání určitých nebezpečných látek v elektrických a elektronických zařízeních, a splňuje také všechny požadavky následujících norem a předpisů:
- (TR) Tek sorumlusun biz olmak üzere bu ürünün Avrupa Parlamentosunun 2011/65/EU ve 8 Haziran 2011 tarihli konseyin elektrikli ve elektronik ekipmanlarda belirlenmiş tehlikeli maddelere kullanımının kısıtlanması hakkındaki talimatları ile birlikte aşağıda belirlenen standart ve yönergelere uygun ve uyumlu olduğunu beyan ederiz:

#### CS504DC:

EN 62841-1, EN 62841-4-2, EN ISO 11680-1, EN ISO 12100-1, EN 55014-1, EN 55014-2, 2006/42/EC, 2014/30/EU, 2011/65/EU, 2012/19/EC

#### S\_CS504DC / S2\_CS504DC / S3\_CS504DC:

EN 62841-1, EN 62841-4-2, EN ISO 11680-1, EN ISO 12100-1, EN 60335-1, EN 60335-2-29, EN 55014-1, EN 55014-2, EN 61000-3-2, EN 61000-3-3, EN 62233, 2006/42/EC, 2014/30/EU, 2011/65/EU, 2014/35/EU, 2012/19/EC

Zwolle, 01-05-2022

H.G.F Rosberg  
CEO

VONROC • Lingenstraat 6 • 8028 PM Zwolle • The Netherlands



**VONROC®**  
BUILD YOUR FUTURE

©2022 VONROC  
[WWW.VONROC.COM](http://WWW.VONROC.COM)

2205-31