

Robert Bosch Power Tools GmbH  
70538 Stuttgart  
GERMANY

[www.bosch-pt.com](http://www.bosch-pt.com)

1 609 92A 4YE (2019.09) PS / 55



1 609 92A 4YE

# GBL 18V-120 Professional

 **BOSCH**

en Original instructions

fr Notice originale

pt Manual original

zh 正本使用说明书

zh 原始使用說明書

ko 사용 설명서 원본

th หนังสือคู่มือการใช้งานฉบับ  
ต้นแบบ

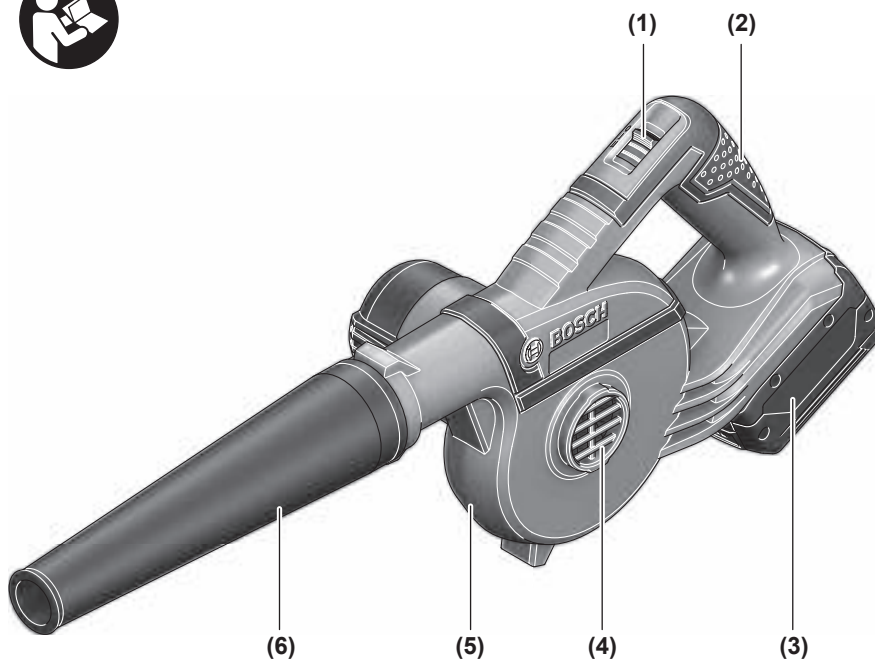
id Petunjuk-Petunjuk untuk Penggun-  
aan Orisinal

vi Bản gốc hướng dẫn sử dụng

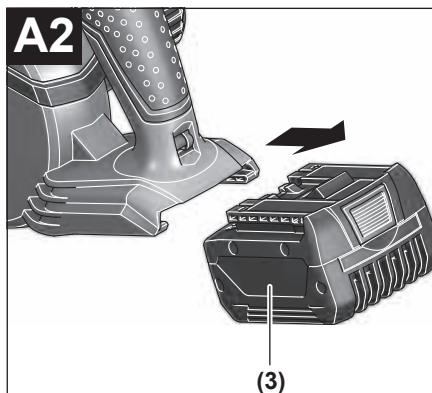
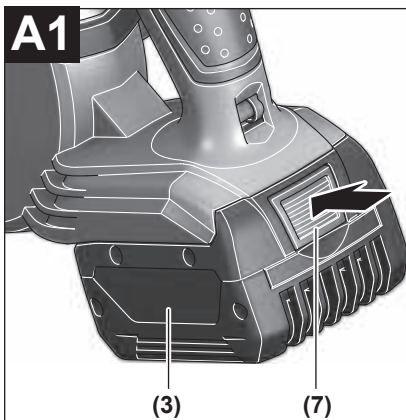
ar دليل التشغيل الأصلي

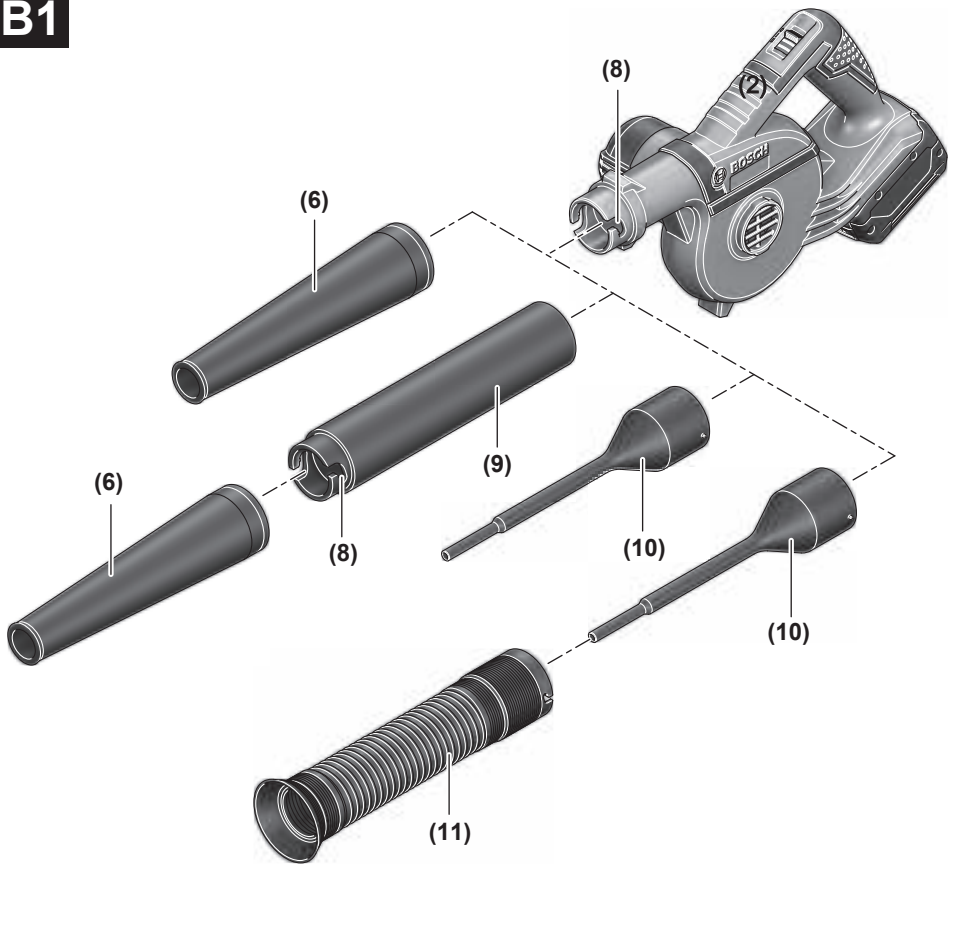
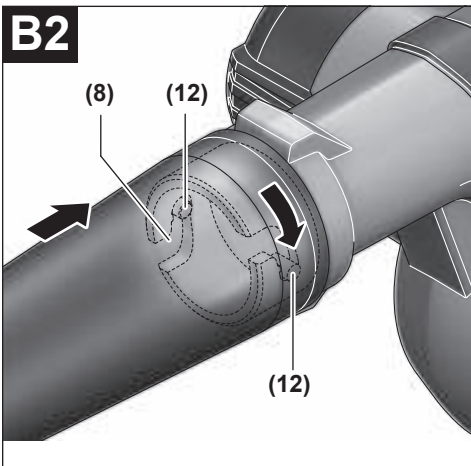
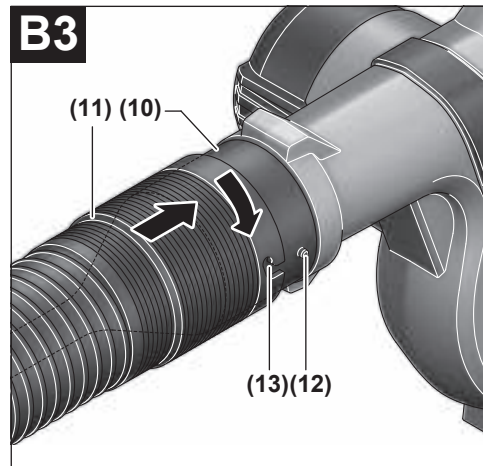
fa دفترچه راهنمای اصلی

English .....	Page	5
Français .....	Page	11
Português .....	Página	15
中文 .....	頁	20
繁體中文 .....	頁	23
한국어 .....	페이지	26
ไทย .....	หน้า	30
Bahasa Indonesia .....	Halaman	35
Tiếng Việt .....	Trang	39
عربي .....	الصفحة	44
فارسی .....	صفحه	50



**GBL 18V-120**



**B1****B2****B3**

# English

## Safety instructions

### General Power Tool Safety Warnings

**⚠ WARNING** Read all safety warnings, instructions, illustrations and specifications provided with this power tool. Failure to follow all instructions listed below may result in electric shock, fire and/or serious injury.

**Save all warnings and instructions for future reference.**

The term "power tool" in the warnings refers to your mains-operated (corded) power tool or battery-operated (cordless) power tool.

#### Work area safety

- ▶ **Keep work area clean and well lit.** Cluttered or dark areas invite accidents.
- ▶ **Do not operate power tools in explosive atmospheres, such as in the presence of flammable liquids, gases or dust.** Power tools create sparks which may ignite the dust or fumes.
- ▶ **Keep children and bystanders away while operating a power tool.** Distractions can cause you to lose control.

#### Electrical safety

- ▶ **Power tool plugs must match the outlet. Never modify the plug in any way. Do not use any adapter plugs with earthed (grounded) power tools.** Unmodified plugs and matching outlets will reduce risk of electric shock.
- ▶ **Avoid body contact with earthed or grounded surfaces, such as pipes, radiators, ranges and refrigerators.** There is an increased risk of electric shock if your body is earthed or grounded.
- ▶ **Do not expose power tools to rain or wet conditions.** Water entering a power tool will increase the risk of electric shock.
- ▶ **Do not abuse the cord. Never use the cord for carrying, pulling or unplugging the power tool. Keep cord away from heat, oil, sharp edges or moving parts.** Damaged or entangled cords increase the risk of electric shock.
- ▶ **When operating a power tool outdoors, use an extension cord suitable for outdoor use.** Use of a cord suitable for outdoor use reduces the risk of electric shock.
- ▶ **If operating a power tool in a damp location is unavoidable, use a residual current device (RCD) protected supply.** Use of an RCD reduces the risk of electric shock.

#### Personal safety

- ▶ **Stay alert, watch what you are doing and use common sense when operating a power tool. Do not use a power tool while you are tired or under the influence of drugs, alcohol or medication.** A moment of inatten-

tion while operating power tools may result in serious personal injury.

- ▶ **Use personal protective equipment. Always wear eye protection.** Protective equipment such as a dust mask, non-skid safety shoes, hard hat or hearing protection used for appropriate conditions will reduce personal injuries.
- ▶ **Prevent unintentional starting. Ensure the switch is in the off-position before connecting to power source and/or battery pack, picking up or carrying the tool.** Carrying power tools with your finger on the switch or energising power tools that have the switch on invites accidents.
- ▶ **Remove any adjusting key or wrench before turning the power tool on.** A wrench or a key left attached to a rotating part of the power tool may result in personal injury.
- ▶ **Do not overreach. Keep proper footing and balance at all times.** This enables better control of the power tool in unexpected situations.
- ▶ **Dress properly. Do not wear loose clothing or jewellery. Keep your hair and clothing away from moving parts.** Loose clothes, jewellery or long hair can be caught in moving parts.
- ▶ **If devices are provided for the connection of dust extraction and collection facilities, ensure these are connected and properly used.** Use of dust collection can reduce dust-related hazards.
- ▶ **Do not let familiarity gained from frequent use of tools allow you to become complacent and ignore tool safety principles.** A careless action can cause severe injury within a fraction of a second.

#### Power tool use and care

- ▶ **Do not force the power tool. Use the correct power tool for your application.** The correct power tool will do the job better and safer at the rate for which it was designed.
- ▶ **Do not use the power tool if the switch does not turn it on and off.** Any power tool that cannot be controlled with the switch is dangerous and must be repaired.
- ▶ **Disconnect the plug from the power source and/or remove the battery pack, if detachable, from the power tool before making any adjustments, changing accessories, or storing power tools.** Such preventive safety measures reduce the risk of starting the power tool accidentally.
- ▶ **Store idle power tools out of the reach of children and do not allow persons unfamiliar with the power tool or these instructions to operate the power tool.** Power tools are dangerous in the hands of untrained users.
- ▶ **Maintain power tools and accessories. Check for misalignment or binding of moving parts, breakage of parts and any other condition that may affect the power tool's operation. If damaged, have the power tool repaired before use.** Many accidents are caused by poorly maintained power tools.

- ▶ **Keep cutting tools sharp and clean.** Properly maintained cutting tools with sharp cutting edges are less likely to bind and are easier to control.
- ▶ **Use the power tool, accessories and tool bits etc. in accordance with these instructions, taking into account the working conditions and the work to be performed.** Use of the power tool for operations different from those intended could result in a hazardous situation.
- ▶ **Keep handles and grasping surfaces dry, clean and free from oil and grease.** Slippery handles and grasping surfaces do not allow for safe handling and control of the tool in unexpected situations.

#### Battery tool use and care

- ▶ **Recharge only with the charger specified by the manufacturer.** A charger that is suitable for one type of battery pack may create a risk of fire when used with another battery pack.
- ▶ **Use power tools only with specifically designated battery packs.** Use of any other battery packs may create a risk of injury and fire.
- ▶ **When battery pack is not in use, keep it away from other metal objects, like paper clips, coins, keys, nails, screws or other small metal objects, that can make a connection from one terminal to another.** Shorting the battery terminals together may cause burns or a fire.
- ▶ **Under abusive conditions, liquid may be ejected from the battery; avoid contact. If contact accidentally occurs, flush with water. If liquid contacts eyes, additionally seek medical help.** Liquid ejected from the battery may cause irritation or burns.
- ▶ **Do not use a battery pack or tool that is damaged or modified.** Damaged or modified batteries may exhibit unpredictable behaviour resulting in fire, explosion or risk of injury.
- ▶ **Do not expose a battery pack or tool to fire or excessive temperature.** Exposure to fire or temperature above 130°C may cause explosion.
- ▶ **Follow all charging instructions and do not charge the battery pack or tool outside the temperature range specified in the instructions.** Charging improperly or at temperatures outside the specified range may damage the battery and increase the risk of fire.

#### Service

- ▶ **Have your power tool serviced by a qualified repair person using only identical replacement parts.** This will ensure that the safety of the power tool is maintained.
- ▶ **Never service damaged battery packs.** Service of battery packs should only be performed by the manufacturer or authorized service providers.

#### Safety instructions for blower

- ▶ **Do not blow any harmful substances, e.g. beech or oak wood dust, rock dust or asbestos.** These substances are classified as carcinogenic.

- ▶ **Do not blow any liquids.** The penetration of liquids increases the risk of an electric shock.
- ▶ **Pay attention that bystanders are not injured by foreign objects that are blown off by the product.**
- ▶ **Keep your fingers away from the openings of the power tool during operation. Only operate the blower with a nozzle attached.** The rotating fan can injure you.
- ▶ **Ensure that the workplace is well ventilated.**
- ▶ **Do not let children use the power tool unsupervised.** Children are at risk of injuring themselves this way.
- ▶ **Wear additional personal protective equipment such as protective glasses and a protective mask.** Wearing personal protection equipment appropriate to the conditions reduces your exposure to hazardous substances.



- ▶ **In case of damage and improper use of the battery, vapours may be emitted. The battery can set alight or explode.** Ensure the area is well ventilated and seek medical attention should you experience any adverse effects. The vapours may irritate the respiratory system.
- ▶ **Do not open the battery.** There is a risk of short-circuiting.
- ▶ **The battery can be damaged by pointed objects such as nails or screwdrivers or by force applied externally.** An internal short circuit may occur, causing the battery to burn, smoke, explode or overheat.
- ▶ **Only use the battery with products from the manufacturer.** This is the only way in which you can protect the battery against dangerous overload.



**Protect the battery against heat, e.g. against continuous intense sunlight, fire, dirt, water and moisture.** There is a risk of explosion and short-circuiting.

## Product Description and Specifications



#### Read all the safety and general instructions.

Failure to observe the safety and general instructions may result in electric shock, fire and/or serious injury.

Please observe the illustrations at the beginning of this operating manual.

#### Intended Use

The power tool is intended for blowing away non-harmful substances (e.g. sawing debris, metal chips, stone dust, etc.) produced during sawing, drilling or grinding. Drill holes can also be blown out with the appropriate accessories.

The power tool is not suitable for blowing hot, flammable or explosive materials.

## Product Features

The numbering of the product features refers to the diagram of the power tool on the graphics page.

- (1) On/off switch with stage selector
- (2) Handle
- (3) Battery<sup>A)</sup>
- (4) Air inlet
- (5) Motor housing
- (6) Nozzle
- (7) Battery release button
- (8) Recess for accessory connection
- (9) Extension tube
- (10) Drill hole nozzle
- (11) Dust collection tube
- (12) Bayonet lock
- (13) Recess for dust collection tube

A) Accessories shown or described are not included with the product as standard. You can find the complete selection of accessories in our accessories range.

## Technical Data

Cordless blower		GBL 18V-120
Article number		3 601 JF5 1..
No-load speed	min <sup>1</sup>	17,000
Air speed, max.	m/s	75
Air volume	m <sup>3</sup> /min	2.0
Weight according to EPTA-Procedure 01:2014	kg	1.4–2.4 <sup>A)</sup>
Recommended ambient temperature during charging	°C	0 to +45
Permitted ambient temperature during operation <sup>B)</sup> and during storage	°C	–20 to +50
Recommended batteries		GBA 18V... ProCORE 18V...
Recommended chargers		GAL 18... GAX 18... GAL 36...
Operating time per battery charge		
– Blower level I	min/Ah	9
– Blower level II	min/Ah	5

A) Depends on battery in use

B) Limited performance at temperatures <0 °C

Technical data determined using the battery that comes with the product.

## Assembly

### Battery Charging

- ▶ **Use only the chargers listed in the technical data.** Only these chargers are matched to the lithium-ion battery of your power tool.

**Note:** The battery is supplied partially charged. To ensure full battery capacity, fully charge the battery in the charger before using your tool for the first time.

The lithium-ion battery can be charged at any time without reducing its service life. Interrupting the charging process does not damage the battery.

The lithium-ion battery is protected against deep discharge by Electronic Cell Protection (ECP). A protective circuit switches the power tool off when the battery is drained.

- ▶ **Do not continue to press the on/off switch after the tool has been automatically switched off.** This can damage the battery.

### Removing the battery (see figures A1 –A2)

The battery (3) is equipped with two locking levels to prevent the battery from falling out if the battery release button (7) is pressed unintentionally. As long as the battery is inserted in the power tool, it is held in position by means of a spring.

- To remove the battery (3), press the release button (7) and pull the battery upwards and out of the power tool. **Do not use force to do this.**

Follow the instructions on correct disposal.

### Fitting the blower accessories (see figures B1 – B3)

- ▶ **Remove the battery before cleaning or performing maintenance work on the power tool, before making tool adjustments, changing accessories or storing the power tool.** This safety measure prevents the power tool from being started accidentally.

See the illustration for ways of combining the different blower accessories.

- Insert the bayonet lock (12) of the accessory firmly into the recesses (8) of the motor housing or into the recesses (8) of the extension tube (9).
- Turn the bayonet lock a quarter turn clockwise.

### Fitting the dust collection tube

When blowing out drill holes, the drilling debris is blown in the direction of the operator. For this reason, it is recommended that you fit the dust collection tube (11) over the drill hole nozzle (10).

- Place the recesses (13) of the dust collection tube (11) over the outer bayonet lock (12) of the drill hole nozzle (10).
- Turn the dust collection tube (11) a quarter turn clockwise.



## Operation

- ▶ **Remove the battery before cleaning or performing maintenance work on the power tool, before making tool adjustments, changing accessories or storing the power tool.** This safety measure prevents the power tool from being started accidentally.

### Starting Operation

#### Switching on/off

- To **switch on** the power tool, press the on/off switch **(1)** into position **I** or **II**.  
Position **I**: For blowing light materials.  
Position **II**: For blowing heavy materials.
- To **switch off**, push the on/off switch **(1)** into the stop in position **"0"**.

### Working Advice

Never blow dirt in the direction of bystanders.  
Always hold the power tool approx. 3 cm above the ground when working.  
Do not blow hot, flammable or explosive material.  
Ensure that the air inlet **(4)** cannot suck in any impurities while blowing is taking place.

## Maintenance and Service

### Maintenance and Cleaning

- ▶ **Remove the battery from the power tool before carrying out work on the power tool (e.g. maintenance, changing tool, etc.). The battery should also be removed for transport and storage.** There is risk of injury from unintentionally pressing the on/off switch.
- ▶ **To ensure safe and efficient operation, always keep the power tool and the ventilation slots clean.**

### After-Sales Service and Application Service

Our after-sales service responds to your questions concerning maintenance and repair of your product as well as spare parts. You can find explosion drawings and information on spare parts at: **www.bosch-pt.com**

The Bosch product use advice team will be happy to help you with any questions about our products and their accessories.

In all correspondence and spare parts orders, please always include the 10-digit article number given on the nameplate of the product.

#### Cambodia

Robert Bosch (Cambodia) Co., Ltd  
Unit 8BC, GT Tower, 08th Floor, Street 169,  
Czechoslovakia Blvd, Sangkat Veal Vong  
Khan 7 Makara, Phnom Penh  
VAT TIN: 100 169 511  
Tel.: +855 23 900 685

Tel.: +855 23 900 660  
www.bosch.com.kh

#### People's Republic of China China Mainland

Bosch Power Tool (China) Co. Ltd.  
Bosch Service Center  
567, Bin Kang Road  
Bin Kang District  
Hangzhou, Zhejiang Province  
China 310052  
Tel.: (0571) 8887 5566 / 5588  
Fax: (0571) 8887 6688 x 5566# / 5588#  
E-Mail: bsc.hz@cn.bosch.com  
www.bosch-pt.com.cn

#### HK and Macau Special Administrative Regions

Robert Bosch Co. Ltd.  
Flat B, 2/F, Yeung Yiu Chung No. 6 Industrial Building,  
19 Cheung Shun Street  
Cheung Sha Wan  
Kowloon, Hong Kong  
Customer Service Hotline: +852 2101 0235  
Fax: +852 2590 9762  
E-Mail: info@hk.bosch.com  
www.bosch-pt.com.hk

#### India

Bosch Service Center  
69, Habibullah Road, (Next to PSBB School), T. Nagar  
Chennai-600077  
Phone: (044) 64561816  
Bosch Service Center  
18, Community Center  
Phase 1, Mayapuri  
New Delhi-110064  
Phone: (011) 43166190

#### Indonesia

PT Robert Bosch  
Palma Tower 10th Floor  
Jalan RA Kartini II-S Kaveling 6  
Pondok Pinang, Kebayoran Lama  
Jakarta Selatan 12310  
Tel.: (21) 3005-5800  
www.bosch-pt.co.id

#### Malaysia

Robert Bosch Sdn. Bhd.(220975-V) PT/SMY  
No. 8A, Jalan 13/6  
46200 Petaling Jaya  
Selangor  
Tel.: (03) 79663194  
Toll-Free: 1800 880188  
Fax: (03) 79583838  
E-Mail: kiathoe.chong@my.bosch.com  
www.bosch-pt.com.my

#### Pakistan

Robert Bosch Middle East FZE – Pakistan Liaison Office  
2nd Floor Plaza # 10, CCA Block, DHA Phase 5  
Lahore, 54810



Phone: +92(303)4444311  
Email: Faisal.Khan@bosch.com

#### **Philippines**

Robert Bosch, Inc.  
28th Floor Fort Legend Towers,  
3rd Avenue corner 31st Street,  
Fort Bonifacio, Global City,  
1634 Taguig City  
Tel.: (632) 8703871  
Fax: (632) 8703870  
www.bosch-pt.com.ph

#### **Singapore**

Powerwell Service Centre Ptd Ltd  
Bosch Authorised Service Centre (Power Tools)  
4012 Ang Mo Kio Ave 10, #01-02 TECHplace  
Singapore 569628  
Tel.: 6452 1770  
Fax: 6452 1760  
E-Mail: ask@powerwellsc.com  
www.powerwellsc.com  
www.bosch-pt.com.sg

#### **Thailand**

Robert Bosch Ltd.  
FYI Center Tower 1, 5th Floor,  
2525 Rama IV Road, Klongtoei,  
Bangkok 10110  
Tel.: 02 0128888  
Fax: 02 0645802  
www.bosch.co.th

Bosch Service – Training Centre  
La Salle Tower Ground Floor Unit No.2  
10/11 La Salle Moo 16  
Srinakharin Road  
Bangkaew, Bang Plee  
Samutprakarn 10540  
Tel.: 02 7587555  
Fax: 02 7587525

#### **Vietnam**

Branch of Bosch Vietnam Co., Ltd in HCMC  
14th floor, Deutsches Haus, 33 Le Duan  
Ben Nghe Ward, District 1, Ho Chi Minh City  
Tel.: (028) 6258 3690  
Fax: (028) 6258 3692 - 6258 3694  
Hotline: (028) 6250 8555  
Email: tuvankhachhang-pt@vn.bosch.com  
www.bosch-pt.com.vn

#### **Bahrain**

EA Juffali and Brothers for Technical Equipment Company.  
Kingdom of Bahrain, Al Aker - Block 0624 - Road 2403 -  
Building 0055D  
Phone: +97317704537  
Fax: +973177045257  
Email: h.berjas@ejab.com.sa

#### **Egypt**

RBEG-LLC  
22 Kamal Eldin Hussein

Sheraton Heliopolis  
11799 Cairo  
E-mail: boschegypt.powertools@eg.bosch.com

#### **Iran**

Robert Bosch Iran  
3rd Floor, No 3, Maadiran Building  
Aftab St., Khodami St., Vanak Sq.  
Tehran 1994834571  
Phone: +9821- 86092057

#### **Iraq**

Sahba Technology Group  
Al Muthana airport road  
Baghdad  
Phone Bagdad: +964 (0) 7 901 930366  
Phone Dubai: +971 (0) 4 422 1898  
Email: duraid@sahbatechnology.com

#### **Jordan**

Roots Arabia – Jordan  
Al-Hurriyah Street, Al-Muqabalein  
Amman 11623, Jordan  
P.O. Box: 110068  
Tel. : +962 6 4398990  
E-mail: bosch@rootsjordan.com

#### **Kuwait**

Shuwaikh Industrial Area, Block 1, Plot 16, Street 3rd  
P.O. Box 164 – Safat 13002  
Phone: +965 - 2496 88 88  
Fax: +965 - 2481 08 79  
E-mail: josephkr@aalmutawa.com

#### **Lebanon**

Tehini Hana & Co. S.A.R.L.  
P.O. Box 90-449  
Jdeideh 1202 2040  
Dora-Beirut  
Phone: +9611255211  
Email: service-pt@tehini-hana.com

#### **Libya**

El Naser for Workshop Tools  
Swanee Road, Alfalah Area  
Tripoli  
Phone: +218 21 4811184

#### **Oman**

Malatan Trading & Contracting LLC  
P.O. Box 131, Ruwi, Muscat  
Postal Code: 112, Sultanate of Oman  
Phone: +968 2479 4035/4089/4901  
Mob: +968-91315465  
Fax: +968 2479 4058  
E-Mail: sudhirkumar@malatan.net

#### **Qatar**

International Construction Solutions W L L  
P. O. Box 51, Doha  
Phone: +974 40065458  
Fax: +974 4453 8585  
Email: csd@icsdoha.com

**Saudi Arabia**

Juffali Technical Equipment Co. (JTECO)  
 P.O.Box: 1049 – Jeddah 21431 – KSA  
 Jeddah: 00966 (0) 12 692 0770 – Ext 433  
 Riyadh: 00966 (0) 11 409 3976 – Ext-30/34/39  
 Dammam: 00966 (0) 13 833 9565  
 E-mail: M.Zreik@eajb.com.sa

**Syria**

Dallal Establishment for Power Tools  
 Damascus. Baramkeh street - Ibn Amer street,  
 Phone: +963112241006 or 009631122414009  
 Mobile: 00963991141005  
 Email: rita.dallal@hotmail.com

**United Arab Emirates**

Central Motors & Equipment,  
 P.O. Box 26255, Dubai  
 Dubai: 00971 (0) 4 3090920/3090930  
 Abu Dhabi: 00971 (0) 2 4017745  
 Sharjah: 00971 (0) 6 5932777  
 Al Ain: 00971 (0) 3 7157419  
 E-Mail: Mallappa.Madari@centralmotors.ae

**Yemen**

Abu Alrejal Trading Corporation  
 P.O. Box : 17024 , Zubeiry St.  
 Sana'a, Yemen  
 Tel: +967-1-20 20 10  
 Fax: +967-1-47 19 17  
 E-mail: tech-tools@abualrejal.com/yahya@abualrejal.com

**Ethiopia**

Forever plc  
 Kebele 2,754, BP 4806,  
 Addis Ababa  
 Phone: +251 111 560 600  
 Email: foreverplc@ethionet.et

**Ghana**

Robert Bosch Ghana Limited  
 21 Kofi Annan Road Airport Residential Area Accra  
 Tel. +233 (0)3027 94616

**Kenya**

Robert Bosch East Africa Ltd  
 Mpaka Road P.O. Box 856  
 00606 Nairobi

**Nigeria**

Robert Bosch Nigeria Ltd.  
 52–54 Isaac John Street P.O. Box  
 GRA Ikeja – Lagos

**Tanzania**

Diesel & Autoelectric Service Ltd.  
 117 Nyerere Rd., P.O. Box 70839  
 Vingunguti 12109, Dar Es Salaam  
 Phone: +255 222 861 793/794

**Australia, New Zealand and Pacific Islands**

Robert Bosch Australia Pty. Ltd.  
 Power Tools  
 Locked Bag 66

Clayton South VIC 3169  
 Customer Contact Center  
 Inside Australia:  
 Phone: (01300) 307044  
 Fax: (01300) 307045  
 Inside New Zealand:  
 Phone: (0800) 543353  
 Fax: (0800) 428570  
 Outside AU and NZ:  
 Phone: +61 3 95415555  
 www.bosch-pt.com.au  
 www.bosch-pt.co.nz

**Republic of South Africa  
Customer service**

Hotline: (011) 6519600

**Gauteng – BSC Service Centre**

35 Roper Street, New Centre  
 Johannesburg  
 Tel.: (011) 4939375  
 Fax: (011) 4930126  
 E-Mail: bsctools@icon.co.za

**KZN – BSC Service Centre**

Unit E, Almar Centre  
 143 Crompton Street  
 Pinetown  
 Tel.: (031) 7012120  
 Fax: (031) 7012446  
 E-Mail: bsc.dur@za.bosch.com

**Western Cape – BSC Service Centre**

Democracy Way, Prosperity Park  
 Milnerton  
 Tel.: (021) 5512577  
 Fax: (021) 5513223  
 E-Mail: bsc@zsd.co.za

**Bosch Headquarters**

Midrand, Gauteng  
 Tel.: (011) 6519600  
 Fax: (011) 6519880  
 E-Mail: rbsa-hq.pts@za.bosch.com

**Armenia, Azerbaijan, Georgia**

Robert Bosch Ltd.  
 David Agmashenebeli ave. 61  
 0102 Tbilisi, Georgia  
 Tel. +995322510073  
 www.bosch.com

**Kyrgyzstan, Mongolia, Tajikistan, Turkmenistan,  
Uzbekistan**

TOO "Robert Bosch" Power Tools, After Sales Service  
 Muratbaev Ave., 180  
 050012, Almaty, Kazakhstan  
 Service Email: service.pt.ka@bosch.com  
 Official Website: www.bosch.com, www.bosch-pt.com

**Transport**

The contained lithium-ion batteries are subject to the Dangerous Goods Legislation requirements. The batteries are

suitable for road-transport by the user without further restrictions.

When shipping by third parties (e.g.: by air transport or forwarding agency), special requirements on packaging and labelling must be observed. For preparation of the item being shipped, consulting an expert for hazardous material is required.

Dispatch battery packs only when the housing is undamaged. Tape or mask off open contacts and pack up the battery in such a manner that it cannot move around in the packaging. Please also observe the possibility of more detailed national regulations.

### Disposal



Power tools, rechargeable batteries, accessories and packaging should be sorted for environmental-friendly recycling.



Do not dispose of power tools and batteries/rechargeable batteries into household waste!

### Battery packs/batteries:

#### Li-ion:

Please observe the notes in the section on transport (see "Transport", page 10).

## Français

### Consignes de sécurité

#### Avertissements de sécurité généraux pour l'outil électrique

**⚠ AVERTISSEMENT** Lire tous les avertissements de sécurité, les instructions, les illustrations et les spécifications fournies avec cet outil électrique.

Ne pas suivre les instructions énumérées ci-dessous peut provoquer un choc électrique, un incendie et/ou une blessure sérieuse.

**Conserver tous les avertissements et toutes les instructions pour pouvoir s'y reporter ultérieurement.**

Le terme "outil électrique" dans les avertissements fait référence à votre outil électrique alimenté par le secteur (avec cordon d'alimentation) ou votre outil électrique fonctionnant sur batterie (sans cordon d'alimentation).

#### Sécurité de la zone de travail

- ▶ **Conserver la zone de travail propre et bien éclairée.** Les zones en désordre ou sombres sont propices aux accidents.
- ▶ **Ne pas faire fonctionner les outils électriques en atmosphère explosive, par exemple en présence de liquides inflammables, de gaz ou de poussières.** Les outils électriques produisent des étincelles qui peuvent enflammer les poussières ou les fumées.

- ▶ **Maintenir les enfants et les personnes présentes à l'écart pendant l'utilisation de l'outil électrique.** Les distractions peuvent vous faire perdre le contrôle de l'outil.

#### Sécurité électrique

- ▶ **Il faut que les fiches de l'outil électrique soient adaptées au socle. Ne jamais modifier la fiche de quelque façon que ce soit. Ne pas utiliser d'adaptateurs avec des outils électriques à branchement de terre.** Des fiches non modifiées et des socles adaptés réduisent le risque de choc électrique.
- ▶ **Éviter tout contact du corps avec des surfaces reliées à la terre telles que les tuyaux, les radiateurs, les cuisinières et les réfrigérateurs.** Il existe un risque accru de choc électrique si votre corps est relié à la terre.
- ▶ **Ne pas exposer les outils électriques à la pluie ou à des conditions humides.** La pénétration d'eau à l'intérieur d'un outil électrique augmente le risque de choc électrique.
- ▶ **Ne pas maltraiter le cordon. Ne jamais utiliser le cordon pour porter, tirer ou débrancher l'outil électrique. Maintenir le cordon à l'écart de la chaleur, du lubrifiant, des arêtes vives ou des parties en mouvement.** Des cordons endommagés ou emmêlés augmentent le risque de choc électrique.
- ▶ **Lorsqu'on utilise un outil électrique à l'extérieur, utiliser un prolongateur adapté à l'utilisation extérieure.** L'utilisation d'un cordon adapté à l'utilisation extérieure réduit le risque de choc électrique.
- ▶ **Si l'usage d'un outil électrique dans un emplacement humide est inévitable, utiliser une alimentation protégée par un dispositif à courant résiduel résiduel (RCD).** L'usage d'un RCD réduit le risque de choc électrique.

#### Sécurité des personnes

- ▶ **Rester vigilant, regarder ce que vous êtes en train de faire et faire preuve de bon sens dans votre utilisation de l'outil électrique. Ne pas utiliser un outil électrique lorsque vous êtes fatigué ou sous l'emprise de drogues, de l'alcool ou de médicaments.** Un moment d'inattention en cours d'utilisation d'un outil électrique peut entraîner des blessures graves.
- ▶ **Utiliser un équipement de protection individuelle. Toujours porter une protection pour les yeux.** Les équipements de protection individuelle tels que les masques contre les poussières, les chaussures de sécurité antidérapantes, les casques ou les protections auditives utilisés pour les conditions appropriées réduisent les blessures.
- ▶ **Éviter tout démarrage intempestif. S'assurer que l'interrupteur est en position arrêté avant de brancher l'outil au secteur et/ou au bloc de batteries, de le ramasser ou de le porter.** Porter les outils électriques en ayant le doigt sur l'interrupteur ou brancher des outils électriques dont l'interrupteur est en position marche est source d'accidents.

- ▶ **Retirer toute clé de réglage avant de mettre l'outil électrique en marche.** Une clé laissée fixée sur une partie tournante de l'outil électrique peut donner lieu à des blessures.
- ▶ **Ne pas se précipiter. Garder une position et un équilibre adaptés à tout moment.** Cela permet un meilleur contrôle de l'outil électrique dans des situations inattendues.
- ▶ **S'habiller de manière adaptée. Ne pas porter de vêtements amples ou de bijoux. Garder les cheveux et les vêtements à distance des parties en mouvement.** Des vêtements amples, des bijoux ou les cheveux longs peuvent être pris dans des parties en mouvement.
- ▶ **Si des dispositifs sont fournis pour le raccordement d'équipements pour l'extraction et la récupération des poussières, s'assurer qu'ils sont connectés et correctement utilisés.** Utiliser des collecteurs de poussière peut réduire les risques dus aux poussières.
- ▶ **Rester vigilant et ne pas négliger les principes de sécurité de l'outil sous prétexte que vous avez l'habitude de l'utiliser.** Une fraction de seconde d'inattention peut provoquer une blessure grave.

#### Utilisation et entretien de l'outil électrique

- ▶ **Ne pas forcer l'outil électrique. Utiliser l'outil électrique adapté à votre application.** L'outil électrique adapté réalise mieux le travail et de manière plus sûre au régime pour lequel il a été construit.
- ▶ **Ne pas utiliser l'outil électrique si l'interrupteur ne permet pas de passer de l'état de marche à arrêt et inversement.** Tout outil électrique qui ne peut pas être commandé par l'interrupteur est dangereux et il faut le réparer.
- ▶ **Débrancher la fiche de la source d'alimentation et/ou enlever le bloc de batteries, s'il est amovible, avant tout réglage, changement d'accessoires ou avant de ranger l'outil électrique.** De telles mesures de sécurité préventives réduisent le risque de démarrage accidentel de l'outil électrique.
- ▶ **Conserver les outils électriques à l'arrêt hors de la portée des enfants et ne pas permettre à des personnes ne connaissant pas l'outil électrique ou les présentes instructions de le faire fonctionner.** Les outils électriques sont dangereux entre les mains d'utilisateurs novices.
- ▶ **Observer la maintenance des outils électriques et des accessoires. Vérifier qu'il n'y a pas de mauvais alignement ou de blocage des parties mobiles, des pièces cassées ou toute autre condition pouvant affecter le fonctionnement de l'outil électrique. En cas de dommages, faire réparer l'outil électrique avant de l'utiliser.** De nombreux accidents sont dus à des outils électriques mal entretenus.
- ▶ **Garder affûtés et propres les outils permettant de couper.** Des outils destinés à couper correctement entretenus avec des pièces coupantes tranchantes sont

moins susceptibles de bloquer et sont plus faciles à contrôler.

- ▶ **Utiliser l'outil électrique, les accessoires et les lames etc., conformément à ces instructions, en tenant compte des conditions de travail et du travail à réaliser.** L'utilisation de l'outil électrique pour des opérations différentes de celles prévues peut donner lieu à des situations dangereuses.
- ▶ **Il faut que les poignées et les surfaces de préhension restent sèches, propres et dépourvues d'huiles et de graisses.** Des poignées et des surfaces de préhension glissantes rendent impossibles la manipulation et le contrôle en toute sécurité de l'outil dans les situations inattendues.

#### Utilisation des outils fonctionnant sur batteries et précautions d'emploi

- ▶ **Ne recharger qu'avec le chargeur spécifié par le fabricant.** Un chargeur qui est adapté à un type de bloc de batteries peut créer un risque de feu lorsqu'il est utilisé avec un autre type de bloc de batteries.
- ▶ **N'utiliser les outils électriques qu'avec des blocs de batteries spécifiquement désignés.** L'utilisation de tout autre bloc de batteries peut créer un risque de blessure et de feu.
- ▶ **Lorsqu'un bloc de batteries n'est pas utilisé, le maintenir à l'écart de tout autre objet métallique, par exemple trombones, pièces de monnaie, clés, clous, vis ou autres objets de petite taille qui peuvent donner lieu à une connexion d'une borne à une autre.** Le court-circuitage des bornes d'une batterie entre elles peut causer des brûlures ou un feu.
- ▶ **Dans de mauvaises conditions, du liquide peut être éjecté de la batterie; éviter tout contact. En cas de contact accidentel, nettoyer à l'eau. Si le liquide entre en contact avec les yeux, rechercher en plus une aide médicale.** Le liquide éjecté des batteries peut causer des irritations ou des brûlures.
- ▶ **Ne pas utiliser un bloc de batteries ou un outil fonctionnant sur batteries qui a été endommagé ou modifié.** Les batteries endommagées ou modifiées peuvent avoir un comportement imprévisible provoquant un feu, une explosion ou un risque de blessure.
- ▶ **Ne pas exposer un bloc de batteries ou un outil fonctionnant sur batteries au feu ou à une température excessive.** Une exposition au feu ou à une température supérieure à 130°C peut provoquer une explosion.
- ▶ **Suivre toutes les instructions de charge et ne pas charger le bloc de batteries ou l'outil fonctionnant sur batteries hors de la plage de températures spécifiée dans les instructions.** Un chargement incorrect ou à des températures hors de la plage spécifiée de températures peut endommager la batterie et augmenter le risque de feu.

#### Maintenance et entretien

- ▶ **Faire entretenir l'outil électrique par un réparateur qualifié utilisant uniquement des pièces de rechange**

identiques. Cela assure le maintien de la sécurité de l'outil électrique.

- ▶ **Ne jamais effectuer d'opération d'entretien sur des blocs de batteries endommagés.** Il convient que l'entretien des blocs de batteries ne soit effectué que par le fabricant ou les fournisseurs de service autorisés.

### Consignes de sécurité pour aspirateur-souffleur

- ▶ **N'utilisez pas le souffleur pour souffler des matières nuisibles à la santé, comme de la poussière de hêtre ou de chêne, de la poussière de pierre ou de l'amiante.** Ces matières sont considérées comme cancérogènes.
- ▶ **N'utilisez pas le souffleur pour souffler ou déplacer des liquides.** La pénétration de liquides dans l'appareil ou tout contact avec des liquides augmente le risque de choc électrique.
- ▶ **Prenez les précautions nécessaires pour que les personnes se trouvant à proximité ne risquent pas d'être blessées par les matières qui sont soufflées par le produit.**
- ▶ **Pendant le fonctionnement du souffleur, ne mettez pas vos doigts devant les ouvertures. Ne faites fonctionner le souffleur que muni d'une buse.** Vous risqueriez sinon d'être blessé par les pièces en rotation du souffleur.
- ▶ **Veillez à bien aérer la zone de travail.**
- ▶ **Ne laissez pas des enfants utiliser l'outil électroportatif sans surveillance.** Les enfants peuvent se blesser.
- ▶ **Portez des équipements de protection individuelle, notamment des lunettes de protection et un masque de protection respiratoire.** Le port d'équipements de protection réduit le risque d'exposition à des substances dangereuses.



- ▶ **Si l'accum est endommagé ou utilisé de manière non conforme, des vapeurs peuvent s'échapper. L'accum peut brûler ou exploser.** Ventilez le local et consultez un médecin en cas de malaise. Les vapeurs peuvent entraîner des irritations des voies respiratoires.
- ▶ **N'ouvrez pas l'accum.** Risque de court-circuit.
- ▶ **Les objets pointus comme un clou ou un tournevis et le fait d'exercer une force extérieure sur le boîtier risquent d'endommager l'accum.** Il peut en résulter un court-circuit interne et l'accum risque de s'enflammer, de dégager des fumées, d'exploser ou de surchauffer.
- ▶ **N'utilisez l'accum qu'avec des produits du fabricant.** Tout risque de surcharge dangereuse sera alors exclu.



**Conservez la batterie à l'abri de la chaleur, en la protégeant p. ex. de l'ensoleillement direct, du feu, de la saleté, de l'eau et de l'humidité.** Il existe un risque d'explosion et de courts-circuits.

## Description des prestations et du produit



**Lisez attentivement toutes les instructions et consignes de sécurité.** Le non-respect des instructions et consignes de sécurité peut provoquer un choc électrique, un incendie et/ou entraîner de graves blessures.

Référez-vous aux illustrations qui se trouvent à l'avant de la notice d'utilisation.

### Utilisation conforme

L'outil électroportatif est conçu pour souffler les matières non nuisibles à la santé (p. ex. sciure, copeaux de bois ou de métal, poussière de pierre, etc.) produites lors du sciage, du perçage ou du ponçage. Muni de l'accessoire approprié, il permet aussi de souffler l'intérieur de trous de perçage.

L'outil électroportatif n'est pas conçu pour souffler des matières chaudes, inflammables ou explosives.

### Éléments constitutifs

La numérotation des éléments de l'appareil se réfère à la représentation de l'outil électroportatif sur la page graphique.

- (1) Interrupteur Marche/Arrêt avec réglage de la position
- (2) Poignée
- (3) Accum<sup>A)</sup>
- (4) Admission d'air
- (5) Carter moteur
- (6) Buse
- (7) Bouton de déverrouillage d'accum
- (8) Évidement pour la fixation des accessoires
- (9) Tube prolongateur
- (10) Buse pour trous de perçage
- (11) Tube collecteur de poussière
- (12) Fermeture à baïonnette
- (13) Évidement pour le tube collecteur de poussière

A) **Les accessoires décrits ou illustrés ne sont pas tous compris dans la fourniture. Vous trouverez les accessoires complets dans notre gamme d'accessoires.**

### Caractéristiques techniques

Souffleur sans fil	GBL 18V-120	
Référence	<b>3 601 JF5 1..</b>	
Régime à vide	tr/min	17 000
Vitesse maxi du débit d'air	m/s	75
Volume d'air	m <sup>3</sup> /min	2,0
Poids selon EPTA-Procédure 01:2014	kg	1,4-2,4 <sup>A)</sup>
Températures ambiantes recommandées pour la charge	°C	0...+45

Souffleur sans fil		GBL 18V-120
Températures ambiantes autorisées pendant l'utilisation <sup>B)</sup> et pour le stockage	°C	-20...+50
Accus recommandés		GBA 18V... ProCORE 18V...
Chargeurs recommandés		GAL 18... GAX 18... GAL 36...
Autonomie par charge d'accu		
Vitesse de soufflage I	min/Ah	9
Vitesse de soufflage II	min/Ah	5

A) Dépend de l'accu utilisé

B) Performances réduites à des températures <0 °C

Caractéristiques techniques déterminées avec l'accu fourni.

## Montage

### Recharge de l'accu

► **N'utilisez que les chargeurs indiqués dans les Caractéristiques techniques.** Ils sont les seuls à être adaptés à l'accu Lithium-Ion de votre outil électroportatif.

**Remarque :** L'accu est fourni partiellement chargé. Pour que l'accu soit pleinement performant, chargez-le complètement dans le chargeur avant la première utilisation.

L'accu Lithium-Ion peut être rechargé à tout moment, sans risquer de réduire sa durée de vie. Le fait d'interrompre le processus de charge n'endommage pas l'accu.

L'accu Lithium-Ion est protégé contre les décharges complètes par l'électronique de protection des cellules (ECP). Lorsque l'accu est déchargé, l'outil électroportatif s'arrête grâce à un dispositif d'arrêt de protection.

► **Après une désactivation automatique de l'aspirateur, n'essayez pas de le réactiver en actionnant l'interrupteur Marche/Arrêt.** L'accu pourrait sinon être endommagé.

### Retrait de l'accu (voir figures A1-A2)

L'accu (3) dispose d'un double verrouillage permettant d'éviter qu'il tombe si vous appuyez par mégarde sur le bouton de déverrouillage d'accu (7). Tant que l'accu est en place dans l'outil électroportatif, un ressort le maintient en position.

– Pour retirer l'accu (3), appuyez sur le bouton de déverrouillage (7) et sortez l'accu de l'outil électroportatif en le poussant vers le haut. **Ne forcez pas.**

Respectez les indications concernant l'élimination.

### Montage d'un accessoire de soufflage (voir figures B1-B3)

► **Retirez l'accu avant de nettoyer ou réparer l'outil électroportatif, d'effectuer des réglages, de changer d'accessoire ou de ranger l'outil électroportatif.** De telles

mesures de sécurité préventives réduisent le risque de démarrage accidentel de l'outil.

La figure montre les différentes possibilités de combinaison des pièces d'accessoires.

- Insérez la fermeture à baïonnette (12) de l'accessoire dans les évidements (8) du carter ou dans les évidements (8) du tube rallonge (9).
- Faites pivoter la fermeture baïonnette d'un quart de tour dans le sens horaire.

### Montage du tube collecteur de poussière

Lors du soufflage de trous de perçage, la poussière de perçage est projetée en direction de l'utilisateur de l'outil électroportatif. Il est pour cette raison recommandé de monter le tube collecteur de poussière (11) au-dessus de la buse pour trous de perçage (10).

- Faites coïncider les évidements (13) du tube collecteur de poussière (11) et les fermetures à baïonnette extérieures (12) de la buse pour trous de perçage (10).
- Enfoncez le tube collecteur de poussière (11) jusqu'en butée et faites-le pivoter d'un quart de tour dans le sens horaire.

## Utilisation

► **Retirez l'accu avant de nettoyer ou réparer l'outil électroportatif, d'effectuer des réglages, de changer d'accessoire ou de ranger l'outil électroportatif.** De telles mesures de sécurité préventives réduisent le risque de démarrage accidentel de l'outil.

### Mise en marche

#### Mise en marche/arrêt

- Pour **mettre en marche** l'outil électroportatif, actionnez l'interrupteur marche/arrêt (1) dans la position I ou dans la position II.  
Position I : soufflage de matières légères.  
Position II : soufflage de matières lourdes.
- Pour **arrêter** l'outil électroportatif, poussez l'interrupteur Marche/Arrêt (1) jusqu'en butée dans la position « 0 ».

### Instructions d'utilisation

Ne soufflez jamais la poussière / les matières en direction des personnes qui se trouvent à proximité.

Tenez toujours l'outil électroportatif env. 3 cm au-dessus du sol.

Ne soufflez pas sur des matériaux chauds, inflammables ou explosifs.

Veillez à ce qu'aucune saleté ne puisse pénétrer au niveau de l'admission d'air (4) lors du soufflage.

## Entretien et Service après-vente

### Nettoyage et entretien

► **Retirez l'accu de l'appareil électroportatif avant toute intervention (opérations d'entretien/de maintenance,**

**changement d'accessoire, etc.) ainsi que lors de son transport et rangement.** Il y a sinon risque de blessure lorsqu'on appuie par mégarde sur l'interrupteur Marche/Arrêt.

- **Tenez toujours propres l'outil électroportatif ainsi que les fentes de ventilation afin d'obtenir un travail impeccable et sûr.**

### Service après-vente et conseil utilisateurs

Notre Service après-vente répond à vos questions concernant la réparation et l'entretien de votre produit et les pièces de rechange. Vous trouverez des vues éclatées et des informations sur les pièces de rechange sur le site : **www.bosch-pt.com**

L'équipe de conseil utilisateurs Bosch se tient à votre disposition pour répondre à vos questions concernant nos produits et leurs accessoires.

Pour toute demande de renseignement ou toute commande de pièces de rechange, précisez impérativement la référence à 10 chiffres figurant sur l'étiquette signalétique du produit.

#### Algérie

Siestal  
Zone Industrielle Ihaddaden  
06000 Bejaia  
Tel. : +213 (0) 982 400 991/2  
Fax : +213 (0) 3 420 1569  
E-Mail : sav@siestal-dz.com

#### Maroc

Robert Bosch Morocco SARL  
53, Rue Lieutenant Mahrouh Mohamed  
20300 Casablanca  
Tel.: +212 5 29 31 43 27  
E-Mail : sav.outillage@ma.bosch.com

#### Tunisie

Robert Bosch Tunisie SARL  
7 Rue Ibn Battouta Z.I. Saint Gobain  
Mégrine Riadh  
2014 Ben Arous  
Tél. : +216 71 427 496/879  
Fax : +216 71 428 621  
E-Mail : sav.outillage@tn.bosch.com

#### Côte d'Ivoire

Rimco  
ZONE 3, 9 RUE DU CANAL  
01 BP V230, Abidjan 01  
Tel. : +225 21 25 93 38

#### Sénégal

Bernabé  
Km 2,5 – Bd du Centenaire de la Commune de Dakar  
B.P. 2098 DAKAR  
Tel. : +221 33 849 01 01  
Fax : +221 33 823 34 20

### Transport

Les accus Lithium-ion sont soumis à la réglementation relative au transport de matières dangereuses. Pour le transport par voie routière, aucune mesure supplémentaire n'a besoin d'être prise.

Lors d'une expédition par un tiers (par ex. transport aérien ou entreprise de transport), des mesures spécifiques doivent être prises concernant l'emballage et le marquage. Pour la préparation de l'envoi, faites-vous conseiller par un expert en transport de matières dangereuses.

N'expédiez que des accus dont le boîtier n'est pas endommagé. Recouvrez les contacts non protégés et emballez l'accu de manière à ce qu'il ne puisse pas se déplacer dans l'emballage. Veuillez également respecter les réglementations supplémentaires éventuellement en vigueur.

### Élimination des déchets



Les outils électroportatifs, les accus ainsi que leurs accessoires et emballages doivent être rapportés dans un centre de recyclage respectueux de l'environnement.



Ne jetez pas les outils électroportatifs et les accus/piles avec les ordures ménagères !

### Accus/piles :

#### Li-Ion :

Veuillez respecter les indications se trouvant dans le chapitre Transport (voir « Transport », Page 15).

## Português

### Instruções de segurança

#### Instruções gerais de segurança para ferramentas eléctricas

#### AVISO

**Devem ser lidas todas as indicações de segurança,**

**instruções, ilustrações e especificações desta ferramenta eléctrica.** O desrespeito das instruções apresentadas abaixo poderá resultar em choque eléctrico, incêndio e/ou ferimentos graves.

#### Guarde bem todas as advertências e instruções para futura referência.

O termo "ferramenta eléctrica" utilizado a seguir nas indicações de advertência, refere-se a ferramentas eléctricas operadas com corrente de rede (com cabo de rede) e a ferramentas eléctricas operadas com acumulador (sem cabo de rede).



### Segurança da área de trabalho

- ▶ **Mantenha a sua área de trabalho sempre limpa e bem iluminada.** Desordem ou áreas de trabalho insuficientemente iluminadas podem levar a acidentes.
- ▶ **Não trabalhar com a ferramenta eléctrica em áreas com risco de explosão, nas quais se encontrem líquidos, gases ou pós inflamáveis.** Ferramentas eléctricas produzem faíscas, que podem inflamar pós ou vapores.
- ▶ **Manter crianças e outras pessoas afastadas da ferramenta eléctrica durante a utilização.** No caso de distração é possível que perca o controlo sobre o aparelho.

### Segurança eléctrica

- ▶ **A ficha de conexão da ferramenta eléctrica deve caber na tomada. A ficha não deve ser modificada de maneira alguma. Não utilizar uma ficha de adaptação junto com ferramentas eléctricas protegidas por ligação à terra.** Fichas não modificadas e tomadas apropriadas reduzem o risco de um choque eléctrico.
- ▶ **Evitar que o corpo possa entrar em contacto com superfícies ligadas à terra, como tubos, aquecimentos, fogões e frigoríficos.** Há um risco elevado devido a choque eléctrico, se o corpo estiver ligado à terra.
- ▶ **Manter o aparelho afastado de chuva ou humidade.** A infiltração de água numa ferramenta eléctrica aumenta o risco de choque eléctrico.
- ▶ **Não deverá utilizar o cabo para outras finalidades. Nunca utilizar o cabo para transportar a ferramenta eléctrica, para pendurá-la, nem para puxar a ficha da tomada. Manter o cabo afastado do calor, do óleo, de arestas afiadas ou de peças em movimento.** Cabos danificados ou emaranhados aumentam o risco de um choque eléctrico.
- ▶ **Se trabalhar com uma ferramenta eléctrica ao ar livre, só deverá utilizar cabos de extensão apropriados para áreas exteriores.** A utilização de um cabo de extensão apropriado para áreas exteriores reduz o risco de um choque eléctrico.
- ▶ **Se não for possível evitar o funcionamento da ferramenta eléctrica em áreas húmidas, deverá ser utilizado um disjuntor de corrente de avaria.** A utilização de um disjuntor de corrente de avaria reduz o risco de um choque eléctrico.

### Segurança de pessoas

- ▶ **Esteja atento, observe o que está a fazer e tenha prudência ao trabalhar com a ferramenta eléctrica. Não utilizar uma ferramenta eléctrica quando estiver fatigado ou sob a influência de drogas, álcool ou medicamentos.** Um momento de descuido ao utilizar a ferramenta eléctrica, pode levar a lesões graves.
- ▶ **Utilizar equipamento de protecção individual. Utilizar sempre óculos de protecção.** A utilização de equipamento de protecção pessoal, como máscara de protecção contra pó, sapatos de segurança

antiderrapantes, capacete de segurança ou protecção auricular, de acordo com o tipo e aplicação da ferramenta eléctrica, reduz o risco de lesões.

- ▶ **Evitar uma colocação em funcionamento involuntária. Assegure-se de que a ferramenta eléctrica esteja desligada, antes de conectá-la à alimentação de rede e/ou ao acumulador, antes de levantá-la ou de transportá-la.** Se tiver o dedo no interruptor ao transportar a ferramenta eléctrica ou se o aparelho for conectado à alimentação de rede enquanto estiver ligado, poderão ocorrer acidentes.
- ▶ **Remover ferramentas de ajuste ou chaves de boca antes de ligar a ferramenta eléctrica.** Uma ferramenta ou chave que se encontre numa parte do aparelho em movimento pode levar a lesões.
- ▶ **Evite uma posição anormal. Mantenha uma posição firme e mantenha sempre o equilíbrio.** Desta forma é mais fácil controlar a ferramenta eléctrica em situações inesperadas.
- ▶ **Usar roupa apropriada. Não usar roupa larga nem jóias. Mantenha os cabelos e roupas afastados de peças em movimento.** Roupas frouxas, cabelos longos ou jóias podem ser agarrados por peças em movimento.
- ▶ **Se for possível montar dispositivos de aspiração ou de recolha, assegure-se de que estejam conectados e utilizados correctamente.** A utilização de uma aspiração de pó pode reduzir o perigo devido ao pó.
- ▶ **Não deixe que a familiaridade resultante de uma utilização frequente de ferramentas permita que você se torne complacente e ignore os princípios de segurança da ferramenta.** Uma acção descuidada pode causar ferimentos graves numa fracção de segundo.

### Utilização e manuseio cuidadoso de ferramentas eléctricas

- ▶ **Não sobrecarregue a ferramenta eléctrica. Utilize a ferramenta eléctrica apropriada para o seu trabalho.** É melhor e mais seguro trabalhar com a ferramenta eléctrica apropriada na área de potência indicada.
- ▶ **Não utilizar uma ferramenta eléctrica com um interruptor defeituoso.** Uma ferramenta eléctrica que não pode mais ser ligada nem desligada, é perigosa e deve ser reparada.
- ▶ **Puxar a ficha da tomada e/ou remover o acumulador, se amovível, antes de executar ajustes na ferramenta eléctrica, de substituir acessórios ou de guardar as ferramentas eléctricas.** Esta medida de segurança evita o arranque involuntário da ferramenta eléctrica.
- ▶ **Guardar ferramentas eléctricas não utilizadas fora do alcance de crianças e não permitir que as pessoas que não estejam familiarizadas com o aparelho ou que não tenham lido estas instruções utilizem o aparelho.** Ferramentas eléctricas são perigosas se forem utilizadas por pessoas inexperientes.
- ▶ **Tratar a ferramenta eléctrica e os acessórios com cuidado. Controlar se as partes móveis do aparelho funcionam perfeitamente e não emperram, e se há**

**peças quebradas ou danificadas que possam prejudicar o funcionamento da ferramenta eléctrica. Permitir que peças danificadas sejam reparadas antes da utilização.** Muitos acidentes têm como causa, a manutenção insuficiente de ferramentas eléctricas.

- ▶ **Manter as ferramentas de corte afiadas e limpas.** Ferramentas de corte cuidadosamente tratadas e com cantos de corte afiados emperram com menos frequência e podem ser conduzidas com maior facilidade.
- ▶ **Utilizar a ferramenta eléctrica, acessórios, ferramentas de aplicação, etc. conforme estas instruções. Considerar as condições de trabalho e a tarefa a ser executada.** A utilização de ferramentas eléctricas para outras tarefas a não ser as aplicações previstas, pode levar a situações perigosas.
- ▶ **Mantenha os punhos e as superfícies de agarrar secas, limpas e livres de óleo e massa consistente.** Punhos e superfícies de agarrar escorregadias não permitem o manuseio e controle seguros da ferramenta em situações inesperadas.

#### Manuseio e utilização cuidadosos de ferramentas com acumuladores

- ▶ **Só carregar acumuladores em carregadores recomendados pelo fabricante.** Há perigo de incêndio se um carregador apropriado para um certo tipo de acumuladores for utilizado para carregar acumuladores de outros tipos.
- ▶ **Só utilizar ferramentas eléctricas com os acumuladores apropriados.** A utilização de outros acumuladores pode levar a lesões e perigo de incêndio.
- ▶ **Manter o acumulador que não está sendo utilizado afastado de cliques, moedas, chaves, parafusos ou outros pequenos objectos metálicos que possam causar um curto-circuito dos contactos.** Um curto-circuito entre os contactos do acumulador pode ter como consequência queimaduras ou fogo.
- ▶ **No caso de aplicação incorrecta pode vaziar líquido do acumulador. Evitar o contacto. No caso de um contacto accidental, deverá enxaguar com água. Se o líquido entrar em contacto com os olhos, também deverá consultar um médico.** Líquido que escapa do acumulador pode levar a irritações da pele ou a queimaduras.
- ▶ **Não use um acumulador ou uma ferramenta danificada ou modificada.** Os acumuladores danificados ou modificados exibem um comportamento imprevisível podendo causar incêndio, explosão ou risco de lesão.
- ▶ **Não exponha o acumulador ou a ferramenta ao fogo ou temperatura excessiva.** A exposição ao fogo ou a temperaturas acima de 130 °C pode causar explosão.
- ▶ **Siga todas as instruções de carregamento e não carregue o acumulador ou a ferramenta fora da faixa de temperatura especificada no manual de instruções.** Carregar indevidamente ou em temperaturas fora da faixa especificada pode danificar o acumulador e aumentar o risco de incêndio.

#### Serviço

- ▶ **Só permita que o seu aparelho seja reparado por pessoal especializado e qualificado e só com peças de reposição originais.** Desta forma é assegurado o funcionamento seguro do aparelho.
- ▶ **Nunca tente reparar acumuladores danificados.** A reparação de acumuladores deve ser realizada apenas pelo fabricante ou agentes de assistência autorizados.

#### Indicações de segurança para o soprador

- ▶ **Não junte com sopro substâncias prejudiciais para a saúde, p. ex. pó de faia ou carvalho, pó de pedra, asbesto.** Estas substâncias são consideradas cancerígenas.
- ▶ **Não sobre líquidos.** A entrada de líquidos aumenta o risco de choque eléctrico.
- ▶ **Certifique-se de que as pessoas nas proximidades não podem ser feridas pelos corpos estranhos soprados.**
- ▶ **Mantenha os dedos afastados das aberturas da ferramenta eléctrica durante o funcionamento da mesma. Utilize o soprador apenas com o bico colocado.** O soprador em rotação pode causar ferimentos.
- ▶ **Assegurar uma boa ventilação no local de trabalho.**
- ▶ **Não deixe que crianças usem a ferramenta eléctrica sem vigilância.** As crianças podem sofrer ferimentos.
- ▶ **Use equipamento de proteção individual adicional como óculos de proteção e máscara de proteção respiratória.** Usar equipamentos de proteção para as condições correspondentes reduz a exposição a substâncias perigosas.



- ▶ **Em caso de danos e de utilização incorreta da bateria, podem escapar vapores. A bateria pode incendiar-se ou explodir.** Areje o espaço e procure assistência médica no caso de apresentar queixas. É possível que os vapores irrite as vias respiratórias.
- ▶ **Não abrir o acumulador.** Há risco de um curto-circuito.
- ▶ **Os objetos afiados como, p. ex., pregos ou chaves de fendas, assim como o efeito de forças externas podem danificar o acumulador.** Podem causar um curto-circuito interno e o acumulador pode ficar queimado, deitar fumo, explodir ou sobreaquecer.
- ▶ **Use a bateria apenas em produtos do fabricante.** Só assim é que a bateria é protegida contra sobrecarga perigosa.



**Proteger a bateria contra calor, p. ex. também contra uma permanente radiação solar, fogo, sujidade, água e humidade.** Há risco de explosão ou de um curto-circuito.

## Descrição do produto e do serviço



**Leia todas as instruções de segurança e instruções.** A inobservância das instruções de segurança e das instruções pode causar choque elétrico, incêndio e/ou ferimentos graves.

Respeite as figuras na parte da frente do manual de instruções.

### Utilização adequada

A ferramenta elétrica destina-se a juntar por sopro materiais não prejudiciais à saúde (p. ex. aparas, limalhas, pó de metra, etc.) resultantes de serrar, perfurar ou lixar. Para além disso, com o acessório adequado podem ser soprados furos.

A ferramenta elétrica não se destina a soprar materiais quentes, inflamáveis ou explosivos.

### Componentes ilustrados

A numeração dos componentes ilustrados refere-se à apresentação da ferramenta elétrica na página de esquemas.

- (1) Interruptor de ligar/desligar com seleção de nível
- (2) Punho
- (3) Bateria<sup>A)</sup>
- (4) Entrada de ar
- (5) Tampa do motor
- (6) Bico
- (7) Tecla de desbloqueio da bateria
- (8) Abertura de ligação de acessório
- (9) Tubo de prolongamento
- (10) Bico para furos
- (11) Tubo de recolha do pó
- (12) Fecho de baioneta
- (13) Abertura para tubo de recolha do pó

A) **Acessórios apresentados ou descritos não pertencem ao volume de fornecimento padrão. Todos os acessórios encontram-se no nosso programa de acessórios.**

### Dados técnicos

Soprador sem fio	GBL 18V-120	
Número de produto	<b>3 601 JF5 1..</b>	
N.º de rotações em vazio	r. p. m.	17000
Velocidade da corrente de ar, máx.	m/s	75
Volume de ar	m <sup>3</sup> /min	2,0
Peso conforme EPTA-Procedure 01:2014	kg	1,4-2,4 <sup>A)</sup>
Temperatura ambiente recomendada durante o carregamento	°C	0...+45

### Soprador sem fio GBL 18V-120

Temperatura ambiente admissível em funcionamento <sup>B)</sup> e durante o armazenamento	°C	-20...+50
Baterias recomendadas		GBA 18V... ProCORE 18V...
Carregadores recomendados		GAL 18... GAX 18... GAL 36...
Duração de funcionamento por carga da bateria		
- Nível de sopro I	min/Ah	9
- Nível de sopro II	min/Ah	5

A) dependendo da bateria utilizada

B) potência limitada com temperaturas <0 °C

Dados técnicos averiguados com o acumulador fornecido.

## Montagem

### Carregar a bateria

► **Utilize apenas os carregadores listados nos dados técnicos.** Só estes carregadores são apropriados para as baterias de lítio utilizadas na sua ferramenta elétrica.

**Nota:** A bateria é fornecida parcialmente carregada. Para assegurar a completa potência da bateria, a bateria deverá ser carregada completamente no carregador antes da primeira utilização.

A bateria de íões de lítio pode ser carregada a qualquer altura, sem que a sua vida útil seja reduzida. Uma interrupção do processo de carga não danifica a bateria. O acumulador de íões de lítio está protegido contra descarga completa pelo sistema "Electronic Cell Protection (ECP)". Com a bateria descarregada, a ferramenta elétrica é desligada através de um circuito de proteção.

► **Não continue a premir o interruptor de ligar/desligar após o desligamento automático.** A bateria pode ser danificada.

### Retirar a bateria (ver figuras A1-A2)

A bateria (3) possui dois níveis de travamento, que devem evitar, que a bateria caia, caso a tecla de desbloqueio da bateria (7) seja premida por acaso. Enquanto a bateria estiver dentro da ferramenta elétrica, ela é mantida em posição por uma mola.

- Para retirar a bateria (3) pressione a tecla de desbloqueio (7) e puxe a bateria para baixo para a retirar da ferramenta elétrica. **Não empregar força.**

Observe as indicações sobre a eliminação de forma ecológica.

### Montar o acessório do soprador (ver figuras B1-B3)

► **Retire a bateria antes de efetuar trabalhos de limpeza ou manutenção, ajustes no aparelho, troca de**

**acessórios ou de armazenar a ferramenta elétrica.**

Esta medida preventiva evita um arranque inadvertido da ferramenta elétrica.

As possibilidades de combinação dos diferentes acessórios do soprador podem ser consultadas na figura.

- Insira o fecho de baioneta **(12)** do acessório na abertura **(8)** da carcaça do motor ou na abertura **(8)** do tubo de extensão **(9)**.
- Rode o fecho de baioneta um quarto de volta para a direita.

**Montar o tubo de recolha do pó**

Ao soprar furos, os restos de pó saem em direção ao utilizador. Por isso é aconselhável montar por cima do bico para furos **(10)** o tubo de recolha do pó **(11)**.

- Insira a abertura **(13)** do tubo de recolha do pó **(11)** por cima do fecho de baioneta exterior **(12)** do bico para furos **(10)**.
- Rode o tubo de recolha do pó **(11)** um quarto de volta para a direita.

**Funcionamento**

- ▶ **Retire a bateria antes de efetuar trabalhos de limpeza ou manutenção, ajustes no aparelho, troca de acessórios ou de armazenar a ferramenta elétrica.**

Esta medida preventiva evita um arranque inadvertido da ferramenta elétrica.

**Colocação em funcionamento****Ligar/desligar**

- Para **ligar** a ferramenta elétrica pressione o interruptor de ligar/desligar **(1)** na posição **I** ou **II**.  
Posição **I**: soprar materiais leves.  
Posição **II**: soprar materiais pesados.
- Para **desligar** pressione o interruptor de ligar/desligar **(1)** até ao batente para a posição **"0"**.

**Instruções de trabalho**

Nunca sopra a sujidade na direção de pessoas próximas.

Durante o trabalho, mantenha a ferramenta elétrica cerca de 3 cm acima do solo.

Não soprar materiais quentes, inflamáveis ou explosivos.

Certifique-se de que a entrada de ar **(4)** não consegue aspirar sujidade durante o sopra.

**Manutenção e assistência técnica****Manutenção e limpeza**

- ▶ **A bateria deverá ser retirada antes de todos os trabalhos na ferramenta elétrica (p. ex. manutenção, troca de ferramenta etc.) e antes de transportar ou de armazenar a mesma.** Há perigo de ferimentos se o interruptor de ligar/desligar for acionado involuntariamente.

- ▶ **Manter a ferramenta elétrica e as aberturas de ventilação sempre limpas, para trabalhar bem e de forma segura.**

**Serviço pós-venda e aconselhamento**

O serviço pós-venda responde às suas perguntas a respeito de serviços de reparação e de manutenção do seu produto, assim como das peças sobressalentes. Desenhos explodidos e informações acerca das peças sobressalentes também em:

**www.bosch-pt.com**

A nossa equipa de consultores Bosch esclarece com prazer todas as suas dúvidas a respeito dos nossos produtos e acessórios.

Indique para todas as questões e encomendas de peças sobressalentes a referência de 10 dígitos de acordo com a placa de características do produto.

**Brasil**

Robert Bosch Ltda. – Divisão de Ferramentas Elétricas

Caixa postal 1195 – CEP: 13065-900

Campinas – SP

Tel.: 0800 7045 446

[www.bosch.com.br/contato](http://www.bosch.com.br/contato)

**Angola**

Robert Bosch Ltd

Divisão de Ferramentas Elétricas

Estrada de Cacucaco 288

Luanda

Tel. : +244 927 584 446

<http://www.bosch-professional.com/ao/pt/>

**Transporte**

As baterias de íões de lítio, contidas, estão sujeitas ao direito de materiais perigosos. As baterias podem ser transportadas na rua pelo utilizador, sem mais obrigações.

Na expedição por terceiros (por ex: transporte aéreo ou expedição), devem ser observadas as especiais exigências quanto à embalagem e à designação. Neste caso é necessário consultar um especialista de materiais perigosos ao preparar a peça a ser trabalhada.

Só enviar baterias se a carcaça não estiver danificada. Colar contactos abertos e embalar a bateria de modo que não possa se movimentar dentro da embalagem. Por favor observe também eventuais diretivas nacionais suplementares.

**Eliminação**

As ferramentas elétricas, as baterias, os acessórios e as embalagens devem ser enviados a uma reciclagem ecológica de matéria prima.



Não deitar ferramentas elétricas e baterias/pilhas no lixo doméstico!

**Baterias/pilhas:**

**Lítio:**

Observar as indicações no capítulo Transporte (ver "Transporte", Página 19).

## 中文

### 安全规章

#### 电动工具通用安全警告

**警告！** 阅读随电动工具提供的所有安全警告、说明、图示和规定。

不遵照以下所列说明会导致电击、着火和/或严重伤害。

保存所有警告和说明书以备查阅。

警告中的术语“电动工具”是指市电驱动（有线）电动工具或电池驱动（无线）电动工具。

#### 工作场地的安全

- ▶ **保持工作场地清洁和明亮。** 杂乱和黑暗的场地会引发事故。
- ▶ **不要在易爆环境，如有易燃液体、气体或粉尘的环境下操作电动工具。** 电动工具产生的火花会点燃粉尘或气体。
- ▶ **操作电动工具时，远离儿童和旁观者。** 注意力不集中会使你失去对工具的控制。

#### 电气安全

- ▶ **电动工具插头必须与插座相配。** 绝不能以任何方式改装插头。需接地的电动工具不能使用任何转换插头。未经改装的插头和相配的插座将降低电击风险。
- ▶ **避免人体接触接地表面，如管道、散热片和冰箱。** 如果你身体接触接地表面会增加电击风险。
- ▶ **不得将电动工具暴露在雨中或潮湿环境中。** 水进入电动工具将增加电击风险。
- ▶ **不得滥用软线。** 绝不能用软线搬运、拉动电动工具或拔出其插头。使软线远离热源、油、锐边或运动部件。受损或缠绕的软线会增加电击风险。
- ▶ **当在户外使用电动工具时，使用适合户外使用的延长线。** 适合户外使用的电线将降低电击风险。
- ▶ **如果无法避免在潮湿的环境中操作电动工具，应使用带有剩余电流装置（RCD）保护的电源。** RCD的使用可降低电击风险。

#### 人身安全

- ▶ **保持警觉，当操作电动工具时关注所从事的操作并保持清醒。** 当你感到疲倦，或有药物、酒精或治疗反应时，不要操作电动工具。在操作电动工具时瞬间的疏忽会导致严重人身伤害。
- ▶ **使用个人防护装置。始终佩戴护目镜。** 防护装置，诸如适当条件下使用防尘面具、防滑安全鞋、安全帽、听力防护等装置能减少人身伤害。
- ▶ **防止意外启动。** 在连接电源和/或电池包、拿起或搬运工具前确保开关处于关断位置。手指放在开

关上搬运工具或开关处于接通时通电会导致危险。

- ▶ **在电动工具接通之前，拿掉所有调节钥匙或扳手。** 遗留在电动工具旋转零件上的扳手或钥匙会导致人身伤害。
- ▶ **手不要过分伸展。时刻注意立足点和身体平衡。** 这样能在意外情况下能更好地控制住电动工具。
- ▶ **着装适当。不要穿宽松衣服或佩戴饰品。** 让你的头发和衣服远离运动部件。宽松衣服、佩饰或长发可能会卷入运动部件。
- ▶ **如果提供了与排屑、集尘设备连接用的装置，要确保其连接完好且使用得当。** 使用集尘装置可降低尘屑引起的危险。
- ▶ **不要因为频繁使用工具而产生的熟悉感而掉以轻心，忽视工具的安全准则。** 某个粗心的动作可能在瞬间导致严重的伤害。

#### 电动工具使用和注意事项

- ▶ **不要勉强使用电动工具，根据用途使用合适的电动工具。** 选用合适的按照额定值设计的电动工具会使你工作更有效、更安全。
- ▶ **如果开关不能接通或关断电源，则不能使用该电动工具。** 不能通过开关来控制的电动工具是危险的且必须进行修理。
- ▶ **在进行任何调节、更换附件或贮存电动工具之前，必须从电源上拔掉插头和/或卸下电池包（如可拆卸）。** 这种防护性的安全措施降低了电动工具意外起动的风险。
- ▶ **将闲置不用的电动工具贮存在儿童所及范围之外，并且不允许不熟悉电动工具和不了解这些说明的人操作电动工具。** 电动工具在未经培训的使用者手中是危险的。
- ▶ **维护电动工具及其附件。** 检查运动部件是否调整到位或卡住，检查零件破损情况和影响电动工具运行的其他状况。如有损坏，应在使用前修理好电动工具。许多事故是由维护不良的电动工具引发的。
- ▶ **保持切削刀具锋利和清洁。** 维护良好地有锋利切削刃的刀具不易卡住而且容易控制。
- ▶ **按照使用说明书，并考虑作业条件和要进行的作业来选择电动工具、附件和工具的刀头等。** 将电动工具用于那些与其用途不符的操作可能会导致危险情况。
- ▶ **保持手柄和握持表面干燥、清洁，不得沾有油脂。** 在意外的情况下，湿滑的手柄不能保证握持的安全和对工具的控制。

#### 电池式工具使用和注意事项

- ▶ **只用制造商规定的充电器充电。** 将适用于某种电池盒的充电器用到其他电池盒时会发生着火危险。
- ▶ **只有在配有专用电池盒的情况下才使用电动工具。** 使用其他电池盒会发生损坏和着火危险。
- ▶ **当电池盒不用时，将它远离其他金属物体，例如回形针、硬币、钥匙、钉子、螺钉或其他小金属物体，以防一端与另一端连接。** 电池端部短路会引起燃烧或火灾。



- ▶ 在滥用条件下，液体会从电池中溅出；避免接触。如果意外碰到了，用水冲洗。如果液体碰到了眼睛，还要寻求医疗帮助。从电池中溅出的液体会发生腐蚀或燃烧。
- ▶ 不要使用损坏的或更改过的电池组或工具。损坏或更改过的电池可能导致不可预料的情况发生，有着火、爆炸或受伤的风险。
- ▶ 不要将电池组或工具暴露于火焰或高温情况下。火焰或超过130°C的温度可能会引起爆炸。
- ▶ 遵守所有充电说明，给电池组或工具充电时不要超出说明中规定的温度范围。错误充电或温度超出规定的范围可能会损坏电池并提高着火的风险。

### 维修

- ▶ 由专业维修人员使用相同的备件维修电动工具。这将保证所维修的电动工具的安全。
- ▶ 不要对损坏的电池组进行保养。只能由制造商或授权的服务商进行电池组的维护保养。

### 风扇安全提示

- ▶ 不要吹扫木屑或橡木屑、矿物性粉尘、石棉之类的有害物质。这些物质可能致癌。
- ▶ 不要吹扫液体。液体渗入会增加触电风险。
- ▶ 注意，从产品中飞出的异物会伤到位于附近的人。
- ▶ 工作过程中手指远离电动工具开口。在套上吹嘴后才能使用鼓风机。转动的鼓风机可能会导致人员伤害。
- ▶ 要确保工作场所通风良好。
- ▶ 不要让儿童在无人监管的情况下使用电动工具。儿童可能会受伤。
- ▶ 还请佩戴个人防护装备，比如护目镜和保护呼吸面具。戴上合适的防护装备能够减少暴露在有害物质下的危险。



- ▶ 如果充电电池损坏或者未按照规定使用，充电电池中会散发出有毒蒸汽。充电电池可能会燃烧或爆炸。工作场所必须保持空气流通，如果身体有任何不适必须马上就医。蒸汽会刺激呼吸道。
- ▶ 切勿打开充电电池。可能造成短路。
- ▶ 钉子、螺丝刀等尖锐物品或外力作用可能会损坏充电电池。有可能出现内部短路、蓄电池燃烧、发出烟雾、爆炸或过热。
- ▶ 只能将此充电电池用在制造商的产品中。这样才能确保充电电池不会过载。



保护充电电池免受高温（例如长期阳光照射）、火焰、脏污、水和湿气的侵害。有爆炸和短路的风险。



## 产品和性能说明



请阅读所有安全规章和指示。不遵照以下警告和说明可能导致电击、着火和/或严重伤害。

请注意本使用说明书开头部分的图示。

### 按照规定使用

本电动工具设计用于将锯切、钻孔或打磨时掉落的非有害物质（例如锯末、金属碎屑、砖石粉尘等）吹聚到一起。此外利用合适的配件可以吹净钻孔。本电动工具不适合将炙热、易燃或易爆的材料吹聚到一起。

### 插图上的机件

机件的编号和电动工具详解图上的编号一致。

- (1) 带档位选择的电源开关
- (2) 手柄
- (3) 充电电池<sup>A)</sup>
- (4) 进气孔
- (5) 马达箱
- (6) 喷嘴
- (7) 充电电池的解锁按钮
- (8) 配件连接缺口
- (9) 加长管
- (10) 钻孔吹嘴
- (11) 集尘管
- (12) 卡口式连接件
- (13) 集尘管缺口

A) 图表或说明上提到的附件，并不包含在基本的供货范围中。本公司的附件清单中有完整的附件供应项目。

### 技术参数

电池型鼓风机		GBL 18V-120
物品代码		3 601 JF5 1..
空载转速	转/分钟	17000
空气最大流速	米/秒	75
气流量	立方米/分	2.0
重量符合EPTA-Procedure 01:2014	千克	1.4-2.4 <sup>A)</sup>
充电时建议的环境温度	摄氏度	0至+45
工作时允许的环境温度 <sup>B)</sup> 和存放时功率受限	摄氏度	-20...+50
建议使用的充电电池		GBA 18V... ProCORE 18V...
推荐的充电器		GAL 18... GAX 18... GAL 36...
每次电池充电的运行时间		
- 鼓风机档位I	min/Ah	9

**电池型鼓风机 GBL 18V-120**

- 鼓风机档位II min/Ah 5

A) 视所使用的充电电池而定

B) 温度&lt;0 摄氏度时功率受限

使用附带的充电电池所测得的技术数据。

## 安装

### 为充电电池充电

▶ **请只使用在技术参数中列出的充电器。**只有这些充电器才适用于本电动工具上的锂离子电池。

**提示：**充电电池在交货时只完成部分充电。首度使用电动工具之前，必须先充足充电电池的电量以确保充电电池的功率。

可以随时为锂离子电池充电，不会缩短电池的使用寿命。如果充电过程突然中断，也不会损坏电池。

本锂离子电池配备了电池电子保护装置（ECP），可以防止电池过度放电。充电电池放电时，电动工具被一个保护回路切断。

▶ **自动关闭之后，切勿继续按住电源开关。**否则可能会损坏充电电池。

### 取出充电电池（参见插图A1-A2）

本充电电池(3)具备双重锁定功能，即使不小心触动了充电电池的解锁按钮(7)，充电电池也不会从机器中掉落下来。只要充电电池安装在电动工具中，就会被弹簧固定在其位置上。

- 如需取下充电电池(3)，请按压解锁按钮(7)，然后将充电电池向上从电动工具拔出。**在此过程中请勿过度用力。**

请注意有关作废处理的规定。

### 安装鼓风机配件（参见插图B1-B3）

▶ **在保养或清洁电动工具、调整设备、更换配件或收起电动工具前请取出充电电池。**这个防范措施可以避免不小心开动电动工具。

不同鼓风机配件的组合方案请参见图示。

- 将配件的卡口式连接件(12)牢牢插入马达箱缺口(8)或加长管(9)的缺口(8)。

- 将卡口式连接件顺时针转动四分之一圈。

### 安装集尘管

吹净钻孔时，将钻屑朝操作者方向吹。因此建议在钻孔吹嘴(10)上方安装集尘管(11)。

- 将集尘管(11)的缺口(13)插到钻孔吹嘴(10)的外部卡口式连接件(12)上方。

- 将集尘管(11)顺时针转动四分之一圈。

## 运行

▶ **在保养或清洁电动工具、调整设备、更换配件或收起电动工具前请取出充电电池。**这个防范措施可以避免不小心开动电动工具。

## 投入使用

### 接通/关闭

- 要**接通**电动工具，将电源开关(1)推到档位I或II。

档位I：吹聚较轻的物料。

档位II：吹聚较重的物料。

- **关机**时将电源开关(1)推到位置“0”一直到底。

### 工作提示

不要将灰尘吹向站在附近的人员。

操作时，电动工具与地板之间的距离要一直保持约3 cm。

不要吹聚任何炙热、易燃或易爆的材料。

请注意，在吹扫过程中不得用进气孔(4)抽取脏污。

## 维修和服务

### 维护和清洁

▶ **在电动工具上进行任何维护的工作（例如维修，更换工具等等），以及搬运、保存电动工具之前都必须从机器中取出蓄电池。**无意间操作开关可能会造成伤害。

▶ **电动工具和通气孔必须随时保持清洁，以确保工作效率和工作安全。**

### 客户服务和应用咨询

本公司客户服务处负责回答有关本公司产品的修理、维护和备件的问题。备件的展开图纸和信息也可查看：[www.bosch-pt.com](http://www.bosch-pt.com) 博世应用咨询团队乐于就我们的产品及其附件问题提供帮助。

询问和订购备件时，务必提供机器铭牌上标示的10位数物品代码。

### 香港和澳门特别行政区

罗伯特博世有限公司  
香港北角英皇道625号，21楼  
客户服务热线：+852 2101 0235  
传真：+852 2590 9762  
电子邮件：[info@hk.bosch.com](mailto:info@hk.bosch.com)  
[www.bosch-pt.com.hk](http://www.bosch-pt.com.hk)

### 中国大陆

博世电动工具（中国）有限公司 中国 浙江省 杭州市 滨江区 滨康路567号  
102/1F 服务中心  
邮政编码：310052  
电话：(0571)8887 5566 / 5588  
传真：(0571)8887 6688 x 5566# / 5588#  
电邮：[bsc.hz@cn.bosch.com](mailto:bsc.hz@cn.bosch.com)  
[www.bosch-pt.com.cn](http://www.bosch-pt.com.cn)

### 制造商地址：

Robert Bosch Power Tools GmbH  
罗伯特·博世电动工具有限公司  
70538 Stuttgart / GERMANY  
70538 斯图加特 / 德国



## 搬运

随着机器一起供货的锂离子充电电池必须符合危险物品法规。使用者无须另外使用保护包装便可以运送该充电电池。

但是如果将它交由第三者运送（例如：空运或委托运输公司）则要使用特殊的包装和标示。此时必须向危险物品专家请教有关寄送危险物品的相关事宜。

确定充电电池的外壳未受损后，才可以寄送充电电池。粘好未加盖的触点并包装好充电电池，不可以让充电电池在包装中晃动。必要时也得注意各国有关的法规。

## 处理废弃物



必须以符合环保的方式，回收再利用损坏的电动工具、充电电池、附件和废弃的包装材料。



不可以把电动工具和充电电池/蓄电池丢入一般的家庭垃圾中！

## 充电电池/电池：

### 锂离子：

请注意“搬运”段落中的指示（参见“搬运”，页 23）确认设置。

# 繁體中文

## 安全注意事項

### 電動工具一般安全注意事項

#### 警告

請詳讀工作臺及電動工具的所有安全警告與使用說明。若不

遵照以下列出的指示，將可能導致電擊、著火和/或人員重傷。

保存所有警告和說明書以備查閱。

在所有警告中，「電動工具」此一名詞泛指：以市電驅動的（有線）電動工具或是以電池驅動的（無線）電動工具。

#### 工作場地的安全

- ▶ 保持工作場地清潔和明亮。混亂和黑暗的場地會引發事故。
- ▶ 不要在易爆環境，如有易燃液體、氣體或粉塵的環境下操作電動工具。電動工具產生的火花會點燃粉塵或氣體。
- ▶ 讓兒童和旁觀者離開後操作電動工具。注意力不集中會使您失去對工具的控制。

#### 電氣安全

- ▶ 電動工具插頭必須與插座相配。絕不能以任何方式改裝插頭。需接地的電動工具不能使用任何轉換插頭。未經改裝的插頭和相配的插座將減少電擊危險。

- ▶ 避免人體接觸接地表面，如管道、散熱片和冰箱。如果您身體接地會增加電擊危險。
- ▶ 不得將電動工具暴露在雨中或潮濕環境中。水進入電動工具將增加電擊危險。
- ▶ 不得濫用電線。絕不能用電線搬運、拉動電動工具或拔出其插頭。使電線遠離熱源、油、銳利邊緣或移動零件。受損或纏繞的軟線會增加電擊危險。
- ▶ 當在戶外使用電動工具時，使用適合戶外使用的延長線。適合戶外使用的軟線，將減少電擊危險。
- ▶ 如果在潮濕環境下操作電動工具是不可避免的，應使用剩餘電流動作保護器（RCD）。使用RCD可降低電擊危險。

#### 人身安全

- ▶ 保持警覺，當操作電動工具時關注所從事的操作並保持清醒。當您感到疲倦，或在有藥物、酒精或治療反應時，不要操作電動工具。在操作電動工具時瞬間的疏忽會導致嚴重人身傷害。
- ▶ 使用個人防護裝置。始終佩戴護目鏡。安全裝置，諸如適當條件下使用防塵面具、防滑安全鞋、安全帽、聽力防護等裝置能減少人身傷害。
- ▶ 防止意外起動。確保開關在連接電源和/或電池盒、拿起或搬運工具時處於關閉位置。手指放在已接通電源的開關上或開關處於接通時插入插頭可能會導致危險。
- ▶ 在電動工具接通之前，拿掉所有調節鑰匙或扳手。遺留在電動工具旋轉零件上的扳手或鑰匙會導致人身傷害。
- ▶ 手不要伸展得太長。時刻注意立足點和身體平衡。這樣在意外情況下能很好地控制電動工具。
- ▶ 著裝適當。不要穿寬鬆衣服或佩戴飾品。讓您的衣物及頭髮遠離運動部件。寬鬆衣服、佩飾或長髮可能會捲入運動部件中。
- ▶ 如果提供了與排屑、集塵設備連接用的裝置，要確保他們連接完好且使用得當。使用這些裝置可減少塵屑引起的危險。
- ▶ 切勿因經常使用工具所累積的熟練感而過度自信，輕忽工具的安全守則。任何一個魯莽的舉動都可能瞬間造成人員重傷。

#### 電動工具使用和注意事項

- ▶ 不要濫用電動工具，根據用途使用適當的電動工具。選用適當設計的電動工具會使您工作更有效、更安全。
- ▶ 如果開關不能開啟或關閉工具電源，則不能使用該電動工具。不能用開關來控制的電動工具是危險的且必須進行修理。
- ▶ 在進行任何調整、更換配件或貯存電動工具之前，必須從電源上拔掉插頭並/或取出電池盒。這種防護性措施將減少工具意外起動的危險。
- ▶ 將閒置不用的電動工具貯存在兒童所及範圍之外，並且不要讓不熟悉電動工具或對這些說明不瞭解的人操作電動工具。電動工具在未經培訓的用戶手中是危險的。
- ▶ 保養電動工具與配備。檢查運動件是否調整到位或卡住，檢查零件破損情況和影響電動工具運行

的其他狀況。如有損壞，電動工具應在使用前修理好。許多事故由維護不良的電動工具引發。

- ▶ 保持切削刀具鋒利和清潔。保養良好的有鋒利切削刃的刀具不易卡住而且容易控制。
- ▶ 按照使用說明書，考慮作業條件和進行的作業來使用電動工具、配件和工具的刀頭等。將電動工具用於那些與其用途不符的操作可能會導致危險。
- ▶ 把手及握持區應保持乾燥、潔淨，且不得沾染任何油液或油脂。易滑脫的把手及握持區將無法讓您在發生意外狀況時安全地抓緊並控制工具。

#### 電池式工具使用和注意事項

- ▶ 只用製造商規定的充電器充電。將適用於某種電池盒的充電器用到其他電池盒時會發生著火危險。
- ▶ 只有在配有專用電池盒的情況下才使用電動工具。使用其他電池盒會發生損壞和著火危險。
- ▶ 當電池盒不用時，將它遠離其他金屬物體，例如回形針、硬幣、鑰匙、釘子、螺絲或其他小金屬物體，以防一端與另一端連接。電池端部短路會引起燃燒或火災。
- ▶ 在濫用條件下，液體會從電池中濺出；避免接觸。如果意外碰到了，用水沖洗。如果液體碰到了眼睛，還要尋求醫療幫助。從電池中濺出的液體會發生腐蝕或燃燒。
- ▶ 請勿使用已受損或經改裝的電池盒。已受損或經改裝的電池組可能出現無法預期的反應，進而導致著火、爆炸或造成人員受傷。
- ▶ 勿讓電池盒或工具靠近火源或暴露於異常溫度環境中。若是靠近火源或暴露在超過130 °C的環境中可能造成爆炸。
- ▶ 請完全遵照所有的充電說明，電池盒或工具的溫度若是超出指示的規定範圍，請勿進行充電。不當充電或是未在規定的溫度範圍內進行充電，皆可能造成電池損壞並面臨更高的著火風險。

#### 檢修

- ▶ 將您的電動工具送交專業維修人員，必須使用同樣的備件進行更換。這樣將確保所維修的電動工具的安全性。
- ▶ 請勿自行檢修受損的電池盒。電池組應交由製造商或是獲得授權的服務供應商來進行檢修。

#### 吸吹風機安全注意事項

- ▶ 請勿利用本裝置噴吹收集例如樺木屑、橡木屑、礦物粉塵、石棉等危害健康的物質。這些物質已認定為致癌物。
- ▶ 請勿利用本裝置噴吹液體。如有液體滲入將增加觸電風險。
- ▶ 請注意：嚴防從產品上吹掉的異物誤傷附近的人員。
- ▶ 本電動工具運轉期間，請讓您的手指遠離其開孔處。請先插上噴管後才啟動鼓風機。鼓風機若在旋轉，可能造成您受傷。
- ▶ 要確保工作場所通風良好。

- ▶ 不可放任兒童在無人監督之下使用本電動工具。兒童可能會受傷。
- ▶ 請您另外戴上適當的護目鏡和防毒面罩等個人防護裝備。戴上合適的防護裝備能夠降低暴露在有害物質下的危險。



- ▶ 如果充電電池損壞了，或者未按照規定使用充電電池，充電電池中會散發出有毒蒸氣。充電電池可能起火或爆炸。工作場所必須保持空氣流通，如果身體有任何不適必須馬上就醫。充電電池散發的蒸氣會刺激呼吸。
- ▶ 切勿拆開充電電池。可能造成短路。
- ▶ 尖銳物品（例如釘子或螺絲起子）或是外力皆有可能造成充電電池損壞。進而導致內部短路而發生電池起火、冒煙、爆炸或過熱等事故。
- ▶ 僅可使用產品的原廠充電電池。如此才可依照產品提供過載保護。



保護充電電池免受高溫（例如長期日照）、火焰、污垢、水液和濕氣的侵害。有爆炸及短路之虞。

## 產品和功率描述



請詳讀所有安全注意事項和指示。如未遵守安全注意事項與指示，可能導致火災、人員遭受電擊及 / 或重傷。請留意操作說明書中最前面的圖示。

### 依規定使用機器

本電動工具是設計用於噴吹收集進行鋸切、鑽孔、打磨等作業時伴隨產生的無害塵屑（例如鋸切時所產生的碎屑粉末、金屬切屑、石材粉屑等）。此外，如果再搭配使用合適的配件，即可在鑽孔時處理孔眼的塵屑。

本電動工具並不適用於噴吹收集高溫、具可燃性或爆炸性的物質。

### 插圖上的機件

機件的編號和電動工具詳解圖上的編號一致。

- (1) 可設定檔速的電源開關
- (2) 把手
- (3) 充電電池<sup>A)</sup>
- (4) 進氣口
- (5) 馬達機體
- (6) 吹嘴
- (7) 充電電池的解鎖按鈕
- (8) 用於連接配件的卡槽
- (9) 延長管
- (10) 鑽孔專用噴管

- (11) 集塵管
- (12) 插旋接頭
- (13) 集塵管卡槽

A) 圖表或說明上提到的配件，並不包含在基本的供貨範圍中。本公司的配件清單中有完整的配件供應項目。

## 技術性數據

充電電池式吹風機		GBL 18V-120
產品機號		3 601 JF5 1..
無負載轉速	次 / 分	17000
最大風速	m/s	75
氣流量	m <sup>3</sup> /min	2.0
重量符合 EPTA-Procedure 01:2014	kg	1.4-2.4 <sup>A)</sup>
充電狀態下的建議環境溫度	°C	0...+45
操作狀態下的容許環境溫度 <sup>B)</sup> 以及存放狀態下	°C	-20...+50
建議使用的充電電池		GBA 18V... ProCORE 18V...
建議使用的充電器		GAL 18... GAX 18... GAL 36...
充電電池每次充電後的可連續工作時間		
- 吹風機檔速 I	min/Ah	9
- 吹風機檔速 II	min/Ah	5

A) 視所使用的充電蓄電池而定

B) 溫度 <0 °C 時，性能受限  
使用本產品隨附之充電電池時測得的技術性數據。

## 安裝

### 為充電電池進行充電

► 只能選用技術性數據裡所列出的充電器。僅有這些充電器適用於電動工具所使用的鋰離子充電電池。

**提示：**出貨時充電電池已部分充電。首度使用電動工具之前，請先用充電器將充電電池充飽電以確保充電電池蓄滿電力。

鋰離子充電電池可隨時充電，這樣做並不會縮短電池的使用壽命。如果突然中斷充電，電池也不會損壞。

鋰離子充電電池配備了「電池保護裝置 (ECP)」，可以防止充電電池過度放電。充電電池的電量如果用盡了，保護開關會自動關閉本電動工具。

► 自動關機後，請勿再按壓電源開關。否則充電電池可能會損壞。

### 取出充電電池 (請參考圖 A1-A2)

本充電電池 (3) 具備了雙重鎖定功能，即使不小心按壓了充電電池解鎖按鈕 (7)，充電電池也不會從機

器中掉落出來。固定彈簧會把充電電池夾緊在機器中。

- 若要取出充電電池 (3)，請按壓解鎖按鈕 (7)，然後將充電電池往上拔出電動工具。不可以強行拉出充電電池。

請您遵照廢棄物處理相關指示。

### 安裝吹風機配件 (請參考圖 B1-B3)

► 維護或清潔電動工具、進行設備設定、更換配件或儲藏電動工具之前，請先拔下充電電池。這個預防措施可避免電動工具意外啟動。

吹風機各項配件的組合方式請參考插圖。

- 將配件的插旋接頭 (12) 牢牢插進馬達機體的卡槽 (8) 內，或插進延長管 (9) 的卡槽 (8) 內。
- 將插旋接頭順時針旋轉四之一圈。

### 安裝集塵管

處理鑽孔塵屑時，殘留的塵屑會吹向操作者。因此建議您，在鑽孔專用噴管 (10) 上加裝集塵管 (11)。

- 將集塵管 (11) 的卡槽 (13) 套在鑽孔專用噴管 (10) 的外側插旋接頭 (12) 上方。
- 將集塵管 (11) 順時針旋轉四分之一圈。

## 操作

► 維護或清潔電動工具、進行設備設定、更換配件或儲藏電動工具之前，請先拔下充電電池。這個預防措施可避免電動工具意外啟動。

### 操作機器

#### 啟動 / 關閉

- 若要啟動電動工具，請將電源開關 (1) 推至位置 I 或 II。

位置 I：用於噴吹收集較輕物質。

位置 II：用於噴吹收集較重物質。

- 若要關閉，請將電源開關 (1) 推至最底位置「0」。

### 作業注意事項

絕不可將塵屑吹向附近的人員。

作業期間，本電動工具應與地面保持大約 3 cm 的距離。

請勿利用本裝置噴吹收集高溫、具可燃性或爆炸性的物質。

請注意：進行噴吹期間，進氣口 (4) 上不可吸附任何污物。

## 維修和服務

### 維修和清潔

► 在電動工具上進行任何維護的工作 (例如維修、更換工具等) 以及搬運和儲存電動工具之前，都必須電動工具中取出充電電池。若是不小心觸動起停開關，可能造成人員受傷。

- ▶ 電動工具和通風口都必須保持清潔，這樣才能夠提高工作品質和安全性。

### 顧客服務處和顧客諮詢中心

本公司顧客服務處負責回答有關本公司產品的維修、維護和備用零件的問題。以下的網頁中有分解圖和備用零件相關資料：[www.bosch-pt.com](http://www.bosch-pt.com)  
如果對本公司產品及其配件有任何疑問，博世應用諮詢小組很樂意為您提供協助。

當您需要諮詢或訂購備用零件時，請務必提供本產品型號銘牌上 10 位數的產品機號。

#### 中國香港和澳門特別行政區

羅伯特·博世有限公司  
香港北角英皇道625號21樓  
客戶服務熱線：+852 2101 0235  
傳真：+852 2590 9762  
電子郵件：[info@hk.bosch.com](mailto:info@hk.bosch.com)  
[www.bosch-pt.com.hk](http://www.bosch-pt.com.hk)

#### 台灣

台灣羅伯特博世股份有限公司  
建國北路一段90號6樓  
台北市10491  
電話：(02) 7734 2588  
傳真：(02) 2516 1176  
[www.bosch-pt.com.tw](http://www.bosch-pt.com.tw)

#### 製造商地址：

Robert Bosch Power Tools GmbH  
羅伯特·博世電動工具有限公司  
70538 Stuttgart / GERMANY  
70538 斯圖加特/德國

### 搬運

隨貨附上的鋰離子充電電池受危險物品法的規範。使用者無須另外使用保護包裝便可運送該充電電池。

但是如果將它交由第三者運送（例如：寄空運或委託運輸公司），則應遵照包裝與標示的相關要求。此時必須向危險物品專家請教有關寄送危險物品的相關事宜。

確定充電電池的外殼未受損後，才可以寄送充電電池。用膠帶貼住裸露的接點並妥善包裝充電電池，不可以讓充電電池在包裝材料中晃動。同時也應留意各國相關法規。

### 廢棄物處理



必須以符合環保的方式，將損壞的電動工具、充電電池、配件和包裝材料進行回收再利用。



不可以把電動工具和充電電池 / 拋棄式電池丟入一般家庭垃圾中！

### 充電電池 / 拋棄式電池：

#### 鋰離子：

請注意「搬運」段落中的指示（參見「搬運」，頁 26）。

## 한국어

### 안전 수칙

#### 전동공구 일반 안전 수칙

##### ⚠ 경고

본 전동공구와 함께 제공된 모든 안전경고, 지시사항, 그림 및 사양을 숙지하십시오. 다음의 지시 사항을 준수하지 않으면 감전, 화재, 또는 심각한 부상을 초래할 수 있습니다.

앞으로 참고할 수 있도록 이 안전수칙과 사용 설명서를 잘 보관하십시오.

다음에서 사용되는 "전동공구"라는 개념은 전원에 연결하여 사용하는 (전선이 있는) 전동 기기나 배터리를 사용하는 (전선이 없는) 전동 기기를 의미합니다.

#### 작업장 안전

- ▶ 작업장을 항상 깨끗이 하고 조명을 밝게 하십시오. 작업장 환경이 어수선하거나 어두우면 사고를 초래할 수 있습니다.
- ▶ 가연성 유체, 가스 또는 분진이 있어 폭발 위험이 있는 환경에서 전동공구를 사용하지 마십시오. 전동공구는 분진이나 증기에 점화하는 스파크를 일으킬 수 있습니다.
- ▶ 전동공구를 사용할 때 구경꾼이나 어린이 혹은 다른 사람이 작업장에 접근하지 못하게 하십시오. 다른 사람이 주의를 산만하게 하면 기기에 대한 통제력을 잃기 쉽습니다.

#### 전기에 관한 안전

- ▶ 전동공구의 전원 플러그가 전원 콘센트에 잘 맞아야 합니다. 플러그를 절대 변경시켜서는 안 됩니다. (접지된) 전동공구를 사용할 때 어댑터 플러그를 사용하지 마십시오. 변형되지 않은 플러그와 잘 맞는 콘센트를 사용하면 감전의 위험을 줄일 수 있습니다.
- ▶ 파이프 관, 라디에이터, 레인지, 냉장고와 같은 접지 표면에 몸이 닿지 않도록 하십시오. 몸에 닿을 경우 감전될 위험이 높습니다.
- ▶ 전동공구를 비에 맞지 않게 하고 습기 있는 곳에 두지 마십시오. 전동공구에 물이 들어가면 감전될 위험이 높습니다.
- ▶ 전원 코드를 잘못 사용하는 일이 없도록 하십시오. 전원 코드를 잡고 전동공구를 운반해서는 안 되며, 콘센트에서 전원 플러그를 뽑을 때 전원 코드를 잡아 당겨서는 절대로 안 됩니다. 전원 코드가 열과 오일에 접촉하는 것을 피하고, 날카로운 모서리나 기기의 가동 부위에 닿지 않도록 주의 하십시오. 손상되거나 영긴 전원 코드는 감전을 유발할 수 있습니다.
- ▶ 실외에서 전동공구로 작업할 때는 실외용으로 적당한 연장 전원 코드만을 사용하십시오. 실외용 연장 전원 코드를 사용하면 감전의 위험을 줄일 수 있습니다.



- ▶ 전동공구를 습기 찬 곳에서 사용해야 할 경우에는 누전 차단기를 사용하십시오. 누전 차단기를 사용하면 감전 위험을 줄일 수 있습니다.

#### 사용자 안전

- ▶ 신중하게 작업하며, 전동공구를 사용할 때 경솔하게 행동하지 마십시오. 피로한 상태이거나 약물 복용 및 음주한 후에는 전동공구를 사용하지 마십시오. 전동공구를 사용할 때 잠시라도 주의가 산만해지면 중상을 입을 수 있습니다.
- ▶ 작업자 안전을 위한 장치를 사용하십시오. 항상 보안경을 착용하십시오. 전동공구의 종류와 사용에 따라 먼지 보호 마스크, 미끄러지지 않는 안전화, 안전모 또는 귀마개 등의 안전한 복장을 하면 상해의 위험을 줄일 수 있습니다.
- ▶ 실수로 기기가 작동되지 않도록 주의하십시오. 전동공구를 전원에 연결하거나 배터리를 끼우기 전에, 혹은 기기를 들거나 운반하기 전에, 전원 스위치가 꺼져 있는지 다시 확인하십시오. 전동공구를 운반할 때 전원 스위치가 손가락을 대거나 전원 스위치가 켜진 상태에서 전원을 연결하면 사고 위험이 높습니다.
- ▶ 전동공구를 사용하기 전에 조절하는 툴이나 키 등을 빼 놓으십시오. 회전하는 부위에 있는 툴이나 키로 인해 상처를 입을 수 있습니다.
- ▶ 자신을 과신하지 마십시오. 불안정한 자세를 피하고 항상 평형을 이룬 상태로 작업하십시오. 안정된 자세와 평형한 상태로 작업해야만이 의외의 상황에서 전동공구를 안전하게 사용할 수 있습니다.
- ▶ 알맞은 작업복을 입으십시오. 헐렁한 복장을 하거나 장신구를 착용하지 마십시오. 머리카락이 가동하는 기기 부위에 가까이 닿지 않도록 주의하십시오. 헐렁한 복장, 장신구 혹은 긴 머리는 작동 부위에 말려 사고를 초래할 수 있습니다.
- ▶ 분진 추출장치나 수거장치의 조립이 가능한 경우, 이 장치가 연결되어 있는지, 제대로 작동이 되는지 확인하십시오. 이러한 분진 추출장치를 사용하면 분진으로 인한 사고 위험을 줄일 수 있습니다.
- ▶ 툴을 자주 사용한다고 해서 안주하는 일이 없게 하고 공구의 안전 수칙을 무시하지 않도록 하십시오. 부주의하게 취급하여 순간적으로 심각한 부상을 입을 수 있습니다.

#### 전동공구의 올바른 사용과 취급

- ▶ 기기를 과부하 상태에서 사용하지 마십시오. 작업할 때 이에 적당한 전동공구를 사용하십시오. 알맞은 전동공구를 사용하면 지정된 성능 한도 내에서 더 효율적으로 안전하게 작업할 수 있습니다.
- ▶ 전원 스위치가 고장 난 전동공구를 사용하지 마십시오. 전원 스위치가 작동되지 않는 전동공구는 위험하므로, 반드시 수리를 해야 합니다.
- ▶ 전동공구를 조정하거나 액세서리 부품 교환 혹은 공구를 보관할 때, 항상 전원 콘센트에서 플러그를 미리 빼어 놓거나 배터리를 분리하십시오. 이러한 조치는 실수로 전동공구가 작동하게 되는 것을 예방합니다.

- ▶ 사용하지 않는 전동공구는 어린이 손이 닿지 않는 곳에 보관하고, 전동공구 사용에 익숙하지 않거나 이 사용 설명서를 읽지 않은 사람은 기기를 사용해서는 안됩니다. 경험이 없는 사람이 전동공구를 사용하면 위험합니다.
- ▶ 전동공구 및 액세서리를 조심스럽게 관리하십시오. 가동 부위가 하자 없이 정상적인 기능을 하는지, 걸리는 부위가 있는지, 혹은 전동공구의 기능에 중요한 부품이 손상되지 않았는지 확인하십시오. 손상된 기기의 부품은 전동공구를 다시 사용하기 전에 반드시 수리를 맡기십시오. 제대로 관리하지 않은 전동공구의 경우 많은 사고를 유발합니다.
- ▶ 절단 공구를 날카롭고 깨끗하게 관리하십시오. 날카로운 절단면이 있고 잘 관리된 절단공구는 걸리는 경우가 드물고 조절하기도 쉽습니다.
- ▶ 전동공구, 액세서리, 장착하는 공구 등을 사용할 때, 이 지시 사항과 특별히 기종 별로 나와있는 사용 방법을 준수하십시오. 이때 작업 조건과 실시하려는 작업 내용을 고려하십시오. 원래 사용 분야가 아닌 다른 작업에 전동공구를 사용할 경우 위험한 상황을 초래할 수 있습니다.
- ▶ 손잡이 및 잡는 면을 건조하게 유지하고, 오일 및 그리스가 묻어 있지 않도록 깨끗하게 하십시오. 손잡이 또는 잡는 면이 미끄러우면 예상치 못한 상황에서 안전한 취급 및 제어가 어려워집니다.

#### 충전 전동공구의 올바른 사용과 취급

- ▶ 배터리를 충전할 때 제조 회사가 추천하는 충전기만을 사용하여 재충전해야 합니다. 특정 제품의 배터리를 위하여 제조된 충전기에 적합하지 않은 다른 배터리를 충전할 경우 화재 위험이 있습니다.
- ▶ 각 전동공구용으로 나와있는 배터리만을 사용하십시오. 다른 종류의 배터리를 사용하면 상해를 입거나 화재를 초래할 수 있습니다.
- ▶ 배터리를 사용하지 않을 때는, 각 극을 자극할 수 있는 페이퍼 클립, 동전, 열쇠, 못, 나사 등 유사한 금속성 물체와 멀리하여 보관하십시오. 배터리 극 사이에 쇼트가 일어나 화상을 입거나 화재를 야기할 수 있습니다.
- ▶ 배터리를 잘못 사용하면 누수가 생길 수 있습니다. 누수가 생긴 배터리에 닿지 않도록 하십시오. 피부에 접촉하게 되었을 경우 즉시 물로 씻으십시오. 유체가 눈에 닿았을 경우 바로 의사와 상담하십시오. 배터리에서 나오는 유체는 피부에 자극을 주거나 화상을 입힐 수 있습니다.
- ▶ 손상된 배터리 또는 공구를 사용하지 마십시오. 손상되었거나 개조된 배터리는 예기치 못한 특성으로 인해 화재, 폭발 또는 부상의 위험을 초래할 수 있습니다.
- ▶ 배터리 또는 공구가 화기 또는 지나치게 높은 온도에 노출되지 않도록 하십시오. 화기 또는 130°C 이상의 온도에 노출되면 폭발할 위험이 있습니다.
- ▶ 충전 지침을 준수하고 지침에 제시된 범위를 벗어난 온도에서 충전하지 마십시오. 제시된 범위

를 벗어난 부적절한 온도에서 충전할 경우 배터리가 손상되어 화재 발생의 위험이 증가됩니다.

**서비스**

- ▶ **전동공구 수리는 반드시 전문 인력에게 맡기고, 수리 정비 시 보쉬 순정 부품만을 사용하십시오.** 그렇게 함으로써 기기의 안전성을 오래 유지할 수 있습니다.
- ▶ **손상된 배터리는 절대 수리하지 마십시오.** 배터리 수리는 제조사 또는 공인 서비스센터에서만 진행할 수 있습니다.

**송풍기 안전 수칙**

- ▶ **너도밤나무 분진 또는 물푸레나무 분진, 암석 분진, 석면 등과 같이 건강에 유해한 물질을 불어내지 마십시오.** 이러한 물질은 암을 유발할 수 있습니다.
- ▶ **액체를 불어내지 않도록 하십시오.** 액체가 유입될 경우 감전의 위험이 높아집니다.
- ▶ **제품에서 흩날리는 이물질로 인해 근처에 있는 사람이 부상당하지 않도록 유의하십시오.**
- ▶ **작동되는 도중에는 손가락을 전동공구의 입구 가까이에 두지 마십시오.** 송풍기는 노즐이 끼워진 상태에서만 작동하십시오. 회전하는 블로어에 의해 부상을 당할 수 있습니다.
- ▶ **작업장에 환기가 잘 되도록 하십시오.**
- ▶ **어린이가 무감독 상태로 전동공구를 사용하는 일이 없도록 하십시오.** 어린이가 다칠 수 있습니다.
- ▶ **보안경 및 방독 마스크와 같은 개인 보호 장비를 추가로 착용하십시오.** 해당 사항에 맞는 보호 장비를 착용하면 위험한 물질에 접하게 되는 위험을 줄일 수 있습니다.



- ▶ **배터리가 손상되었거나 잘못 사용될 경우 증기가 발생할 수 있습니다. 배터리에서 화재가 발생하거나 폭발할 수 있습니다.** 작업장을 환기시키고, 필요한 경우 의사와 상담하십시오. 증기로 인해 호흡기가 자극될 수 있습니다.
- ▶ **배터리를 분해하지 마십시오.** 단락이 발생할 위험이 있습니다.
- ▶ **못이나 스크류 드라이버 같은 뾰족한 물체 또는 외부에서 오는 충격 등으로 인해 축전지가 손상될 수 있습니다.** 내부 단락이 발생하여 배터리가 타거나 연기가 발생하고, 폭발 또는 과열될 수 있습니다.
- ▶ **제조사의 배터리 제품만 사용하십시오.** 그래야만 배터리 과부하의 위험을 방지할 수 있습니다.



배터리를 태양 광선 등 고열에 장시간 노출되지 않도록 하고 불과 오염물질, 물, 수분이 있는 곳에 두지 마십시오. 폭발 및 단락의 위험이 있습니다.

**제품 및 성능 설명**



**모든 안전 수칙과 지침을 숙지하십시오.** 다음의 안전 수칙과 지침을 준수하지 않으면 화재 위험이 있으며 감전 혹은 중상을 입을 수 있습니다.

사용 설명서 앞 부분에 제시된 그림을 확인하십시오.

**규정에 따른 사용**

본 전동공구는 톱 작업, 드릴 작업 및 연마 작업 시 생성되는 건강에 유해하지 않은 물질(예: 톱밥, 금속 칩, 석재 분진 등)을 불어 모으기 위한 용도로 고안되었습니다. 그 외에도 적합한 액세서리를 이용하여 드릴 홀에 있는 물질을 배출할 수 있습니다.

본 전동공구는 뜨겁거나 가연성 또는 폭발성 물질을 불어내는 데에는 적합하지 않습니다.

**제품의 주요 명칭**

제품의 주요 명칭에 표기되어 있는 번호는 기기 그림이 나와있는 면을 참고하십시오.

- (1) 전원 스위치(단계 선택 가능)
- (2) 손잡이
- (3) 배터리<sup>A)</sup>
- (4) 공기 흡입구
- (5) 모터 케이스
- (6) 노즐
- (7) 배터리 해제 버튼
- (8) 액세서리 연결 홈
- (9) 연장관
- (10) 드릴 홀 노즐
- (11) 분진 수거관
- (12) 베이요넷 로크
- (13) 분진 수거관 홈

A) 도면이나 설명서에 나와있는 액세서리는 표준 공급부품에 속하지 않습니다. 전체 액세서리는 저희 액세서리 프로그램을 참고하십시오.

**제품 사양**

충전 송풍기		GBL 18V-120
제품 번호	3 601 JF5 1..	
무부하 속도	min <sup>-1</sup>	17000
공기 흐름 속도, 최대	m/s	75
공기량	m <sup>3</sup> /min	2.0
EPTA-Procedure 01:2014에 따른 중량	kg	1.4 - 2.4 <sup>A)</sup>
충전 시 권장되는 주변 온도	°C	0...+45
작동 시 <sup>B)</sup> 및 보관 시 허용되는 주변 온도	°C	-20...+50
권장 배터리	GBA 18V... ProCORE 18V...	

**충전 송풍기 GBL 18V-120**

권장하는 충전기		GAL 18... GAX 18... GAL 36...
----------	--	-------------------------------------

배터리 충전 단위당 작동시간		
- 블로어 단계 I	min/Ah	9
- 블로어 단계 II	min/Ah	5

A) 사용하는 배터리에 따라 상이  
 B) 온도 <0 °C일 때 출력 제한  
 기계 사양은 함께 공급되는 배터리를 사용한 경우입니다.

**조립**

**배터리 충전하기**

- ▶ **기술자료에 기재되어 있는 충전기만 사용하십시오.** 귀하의 전동공구에 사용된 리튬이온 배터리에 맞춰진 충전기들입니다.
- 지침:** 배터리는 일부 충전되어 공급됩니다. 배터리의 성능을 완전하게 보장하기 위해서는 처음 사용하기 전에 배터리를 충전기에 완전히 충전하십시오. 리튬이온 배터리는 항상 충전할 수 있으며, 이로 인해 수명이 단축되지 않습니다. 충전을 하다 중간에 중지해도 배터리가 손상되지 않습니다.
- 리튬이온 배터리는 “전자 셀 보호(ECP)” 기능이 있어 과도하게 방전되지 않습니다. 배터리 방전 시 전동공구가 보호 스위치에 의해 꺼집니다.
- ▶ **자동으로 꺼진 뒤에는 전원 스위치를 누르지 마십시오.** 배터리가 손상될 수 있습니다.

**배터리 분리하기(그림 A1-A2 참조)**

- 배터리 (3) 는 배터리 해제 버튼 (7) 이 실수로 눌러져 배터리가 빠지는 것을 방지하기 위해 잠금장치가 이중으로 되어 있습니다. 전동공구에 배터리가 끼워져 있는 동안 배터리는 스프링으로 제 위치에 고정됩니다.
- 배터리 (3) 를 분리하려면 배터리 해제 버튼 (7) 을 누른 상태에서 배터리를 전동공구 위쪽으로 당겨내십시오. **무리하게 힘을 가하지 마십시오.** 폐기처리에 관련된 지시 사항을 준수하십시오.

**송풍기 액세서리 장착하기(그림 B1-B3 참조)**

- ▶ **전동공구의 유지보수, 세척, 장치 설정, 액세서리 교환 또는 전동공구 보관 전에 배터리를 제거하십시오.** 이러한 조치는 실수로 전동공구가 작동하게 되는 것을 예방합니다.
- 다양한 액세서리들의 조합 방법은 그림을 참조하십시오.
- 액세서리의 베이요넷 로크 (12) 를 모터 하우징의 홈 (8) 또는 연장관 (9) 의 홈 (8) 에 끼우십시오.
  - 베이요넷 로크를 시계 방향으로 1/4 바퀴 돌리십시오.

**분진 수거관 조립하기**

- 드릴 홀을 볼어낼 때 잔여물이 조작자가 있는 방향으로 배출됩니다. 따라서 드릴 홀 노즐 (10) 을 이용해 분진 수거관 (11) 을 설치하는 것이 좋습니다.
- 분진 수거관 (11) 의 홈 (13) 을 드릴 홀 노즐 (10) 의 바깥쪽 베이요넷 로크 (12) 를 통해 끼우십시오.
  - 분진 수거관 (11) 을 시계 방향으로 1/4 바퀴 돌리십시오.

**작동**

- ▶ **전동공구의 유지보수, 세척, 장치 설정, 액세서리 교환 또는 전동공구 보관 전에 배터리를 제거하십시오.** 이러한 조치는 실수로 전동공구가 작동하게 되는 것을 예방합니다.

**기계 시동**

- 전원 스위치 작동**
- 전동공구의 **전원을 켜려면** 전원 스위치 (1) 를 I 또는 II 위치로 누르십시오.  
 위치 I: 가벼운 물질 불러내기.  
 위치 II: 무거운 물질 불러내기.
  - **전원을 끄려면** 전원 스위치 (1) 를 스톱 위치 0까지 누르십시오.

**사용 방법**

- 오염 물질을 절대 근처에 있는 사람 쪽으로 불어내지 마십시오.
- 작업 시 전동공구는 바닥에서 약 3 cm 정도의 간격을 유지하십시오.
- 뜨겁거나 가연성 또는 폭발성 물질이 함께 섞이지 않도록 하십시오.
- 송풍 작업 도중 공기 흡입구 (4) 에 불순물이 흡입되지 않도록 유의하십시오.

**보수 정비 및 서비스**

**보수 정비 및 유지**

- ▶ **전동공구에 각종 작업(보수 정비 및 액세서리 교환 등)을 하거나 전동공구를 운반하거나 보관할 경우 배터리를 전동공구에서 빼십시오.** 실수로 전원 스위치가 작동하게 되면 상해를 입을 위험이 있습니다.
- ▶ **안전하고 올바른 작동을 위하여 전동공구와 전동공구의 통풍구를 항상 깨끗이 하십시오.**

**AS 센터 및 사용 문의**

AS 센터에서는 귀하 제품의 수리 및 보수정비, 그리고 부품에 관한 문의를 받고 있습니다. 대체 부품에 관한 분해 조립도 및 정보는 인터넷에서도 찾아볼 수 있습니다 - [www.bosch-pt.com](http://www.bosch-pt.com)  
 보쉬 사용 문의 팀에서는 보쉬의 제품 및 해당 액세서리에 관한 질문에 기꺼이 답변 드릴 것입니다.



문의나 대체 부품 주문 시에는 반드시 제품 네임 플레이트에 있는 10자리의 부품번호를 알려 주십시오.

콜센터  
080-955-0909

## 운반

포함되어 있는 리튬이온 배터리는 위험물 관련 규정을 따라야 합니다. 별도의 요구사항 없이 배터리를 사용자가 직접 도로 상에서 운반할 수 있습니다.

제3자를 통해 운반할 경우 (항공 운송이나 운송 회사 등) 포장과 표기에 관한 특별한 요구 사항을 준수해야 합니다. 이 경우 발송 준비를 위해 위험물 전문가와 상담해야 합니다.

표면이 손상되지 않은 배터리만 사용하십시오. 배터리의 접촉 단자면을 덮어 불인 상태로 내부에서 움직이지 않도록 배터리를 포장하십시오. 또한 이와 관련한 국내 규정을 준수하십시오.

## 처리



전동공구, 배터리, 액세서리 및 포장은 환경 친화적인 방법으로 재활용할 수 있도록 분류하십시오.



전동공구와 충전용 배터리/배터리를 가정용 쓰레기로 처리하지 마십시오!

## 충전용 배터리/배터리: 리튬이온:

운반 단락에 나와 있는 지침을 참고하십시오 (참조 „운반“, 페이지 30).

# ไทย

## คำเตือนเพื่อความปลอดภัย

### คำเตือนเพื่อความปลอดภัยทั่วไปสำหรับเครื่องมือไฟฟ้า

#### **คำเตือน** อ่านคำเตือนเพื่อความปลอดภัย คำแนะนำ ภาพประกอบ และข้อมูล

จำเพาะทั้งหมดที่จัดส่งมาพร้อมกับเครื่องมือไฟฟ้า การไม่ปฏิบัติตามคำแนะนำทั้งหมดที่ระบุไว้ด้านล่างนี้อาจทำให้ถูกไฟฟ้าดูด เกิดไฟไหม้ และ/หรือได้รับบาดเจ็บอย่างร้ายแรง

#### เก็บรักษาคำเตือนและคำสั่งทั้งหมดสำหรับเปิดอ่านในภายหลัง

คำว่า "เครื่องมือไฟฟ้า" ในคำเตือนหมายถึง เครื่องมือไฟฟ้าของท่านที่ทำงานด้วยพลังงานไฟฟ้าจากแหล่งจ่ายไฟหลัก (มี

สายไฟฟ้า) และเครื่องมือไฟฟ้าที่ทำงานด้วยพลังงานไฟฟ้าจากแบตเตอรี่ (ไร้สาย)

### ความปลอดภัยในสถานที่ทำงาน

- ▶ **รักษาสถานที่ทำงานให้สะอาดและมีไฟส่องสว่างดี** สถานที่ที่มีมืดหรือรกรุงรังนำมาซึ่งอุบัติเหตุ
- ▶ **อย่าใช้เครื่องมือไฟฟ้าทำงานในสภาพบรรยากาศที่จุดติดไฟได้ เช่น ในที่ที่มีของเหลวไวไฟ ก๊าซ หรือฝุ่น** เมื่อใช้เครื่องมือไฟฟ้าจะเกิดประกายไฟซึ่งอาจจุดฝุ่นหรือไอให้ลุกเป็นไฟได้
- ▶ **ขณะใช้เครื่องมือไฟฟ้าทำงาน ต้องกันเด็กและผู้ยืนดูให้ออกห่าง** การหันเหความสนใจอาจทำให้ท่านขาดการควบคุมเครื่องมือ

### ความปลอดภัยเกี่ยวกับไฟฟ้า

- ▶ **ปลั๊กของเครื่องมือไฟฟ้าต้องเหมาะสมกับเต้าเสียบ** อย่าตัดแปลงปลั๊กไม่ว่าในลักษณะใดๆ อย่างเด็ดขาด อย่าใช้ปลั๊กพ่วงต่อใดๆ กับเครื่องมือไฟฟ้าที่มีสายดิน ปลั๊กที่ไม่ตัดแปลงและเต้าเสียบที่เข้ากันช่วยลดความเสี่ยงจากการถูกไฟฟ้าดูด
- ▶ **หลีกเลี่ยงอย่าให้ร่างกายสัมผัสกับพื้นผิวที่ต่อสายดินหรือลงกราวด์ไว้ เช่น ห่อ เครื่องทำความร้อน เต้า และตู้เย็น** จะเสี่ยงอันตรายจากการถูกไฟฟ้าดูดมากขึ้นหากกระแสไฟฟ้าวิ่งผ่านร่างกายของท่านลงดิน
- ▶ **อย่าให้เครื่องมือไฟฟ้าถูกฝนหรืออยู่ในสภาพเปียกชื้น** หากน้ำเข้าในเครื่องมือไฟฟ้า จะเพิ่มความเสี่ยงจากการถูกไฟฟ้าดูด
- ▶ **อย่าใช้สายไฟฟ้าในทางที่ผิด** อย่าใช้สายไฟฟ้าเพื่อยก ding หรือถอดปลั๊กเครื่องมือไฟฟ้า กันสายไฟฟ้าออกห่างจากความร้อน น้ำมัน ขอบแหลมคม หรือชิ้นส่วนที่เคลื่อนที่ สายไฟฟ้าที่ชำรุดหรือพันกันยุ่งเพิ่มความเสี่ยงจากการถูกไฟฟ้าดูด
- ▶ **เมื่อใช้เครื่องมือไฟฟ้าทำงานกลางแจ้ง ให้ใช้สายไฟต่อที่เหมาะสมสำหรับงานกลางแจ้ง** การใช้สายไฟต่อที่เหมาะสมสำหรับงานกลางแจ้ง ช่วยลดอันตรายจากการถูกไฟฟ้าดูด
- ▶ **หากไม่สามารถหลีกเลี่ยงการใช้เครื่องมือไฟฟ้าทำงานในสถานที่เปียกชื้นได้ ให้ใช้สวิตช์ตัดวงจรเมื่อเกิดการรั่วไหลของไฟฟ้าจากสายดิน (RCD)** การใช้สวิตช์ตัดวงจรเมื่อเกิดการรั่วไหลของไฟฟ้าจากสายดินช่วยลดความเสี่ยงต่อการถูกไฟฟ้าดูด

### ความปลอดภัยของคุณ

- ▶ **ห้ามต้องอยู่ในสภาพเตรียมพร้อม รมั้ระวังในสิ่งที** หานกำลังทำอยู่ และมีสวิตช์ใช้เครื่องมือไฟฟ้าทำงาน อย่าใช้เครื่องมือไฟฟ้าขณะที่ท่านกำลังเหนื่อย หรืออยู่ภายใต้การครอบงำของฤทธิ์ของยาเสพติด แอลกอฮอล์ และยา เมื่อใช้เครื่องมือไฟฟ้าทำงาน ในช่วงเวลาที่ท่านขาดความเอาใจใส่อาจทำให้บุคคลมาดเจ็บอย่างรุนแรงได้
- ▶ **ใช้อุปกรณ์ปกป้องร่างกาย** สวมแว่นตาป้องกันเสมอ อุปกรณ์ปกป้อง เช่น หมวกกันน็อก รองเท้ากันลื่น หมวกแข็ง หรืออุปกรณ์กันเสียงดังที่ไซตามความเหมาะสมกับสภาพการทำงาน จะลดการบาดเจ็บทางร่างกาย
- ▶ **ป้องกันการติดเครื่องโดยไม่ตั้งใจ** ตรวจสอบให้แน่ใจว่าสวิตช์อยู่ในตำแหน่งปิดก่อนเชื่อมต่อเข้ากับแหล่งจ่ายไฟ และ/หรือแบตเตอรี่แพ็ค ยกหรือถือเครื่องมือการถือเครื่องโดยใช้นิ้วหัวที่สวิตช์ หรือเสียบปลั๊กไฟฯขณะที่สวิตช์เปิดอยู่ อาจนำไปสู่อุบัติเหตุที่ร้ายแรงได้
- ▶ **นำเครื่องมือปรับแต่งหรือประแจปากคายนอกก่อนเปิด** สวิตช์เครื่องมือไฟฟ้า เครื่องมือหรือประแจปากคายนที่วางอยู่กัยส่วนของเครื่องที่กำลังหมุนจะทำให้บุคคลมาดเจ็บได้
- ▶ **อย่าเอื้อมไกลเกินไป** ตั้งท้ายีนที่มีนคงและวางน้ำหนักให้สมดุลตลอดเวลา ในลักษณะนี้ท่านสามารถควบคุมเครื่องมือไฟฟ้าในสถานการณ์ที่ไม่คาดคิดได้ดีกว่า
- ▶ **แต่งกายอย่างเหมาะสม** อย่าใส่เสื้อผ้าหลวมหรือสวมเครื่องประดับ เอามและเสื้อผ้าออกห่างจากชิ้นส่วนที่เคลื่อนที่ เสื้อผ้าหลวม เครื่องประดับ และผม ยาวอาจเข้าไปติดในชิ้นส่วนที่เคลื่อนที่
- ▶ **หากเครื่องมือไฟฟ้ามีข้อเชื่อมต่อกับเครื่องดูดฝุ่นหรือเครื่องเก็บผง ให้ตรวจสอบให้แน่ใจว่าได้เชื่อมต่อและใช้งานอย่างถูกต้อง** การใช้อุปกรณ์ดูดฝุ่นช่วยลดอันตรายที่เกิดจากฝุ่นได้
- ▶ **เมื่อใช้งานเครื่องมือย่ครั้งจะเกิดความคุ้นเคย** อย่าให้ความคุ้นเคยทำให้ท่านเกิดความชะล่าใจและละเลยกฎเกณฑ์ด้านความปลอดภัยในการใช้งานเครื่อง การทำงานอย่างไม่ระมัดระวังอาจทำให้เกิดการบาดเจ็บอย่างร้ายแรงภายในเสี้ยววินาที

### การใช้และการดูแลรักษาเครื่องมือไฟฟ้า

- ▶ **อย่างฝืนกำลังเครื่องมือไฟฟ้า** ใช้เครื่องมือไฟฟ้าที่ถูกต้องตรงตามลักษณะงานของท่าน เครื่องมือไฟฟ้าที่ถูกต้องจะทำงานได้ดีกว่าและปลอดภัยกว่าในระดับสมรรถภาพที่ออกแบบไว้
- ▶ **อย่าใช้เครื่องมือไฟฟ้าถ้าสวิตช์ไม่สามารถเปิดปิดได้** เครื่องมือไฟฟ้าที่ไม่สามารถควบคุมการเปิดปิดด้วยสวิตช์ได้ เป็นเครื่อง

มือไฟฟ้าที่ไม่ปลอดภัยและต้องส่งซ่อมแซม

- ▶ **ก่อนปรับแต่งเครื่อง** เปลี่ยนอุปกรณ์ประกอบ หรือเก็บเครื่องเข้าที่ ต้องถอดปลั๊กออกจากแหล่งจ่ายไฟ และ/หรือถอดแบตเตอรี่แพ็คออกจากเครื่องมือไฟฟ้าหากถอดออกได้
- ▶ **มาตรการป้องกันเพื่อความปลอดภัยนี้ช่วยลดความเสี่ยงจากการติดเครื่องโดยไม่ตั้งใจ**
- ▶ **เมื่อเลิกใช้งานเครื่องมือไฟฟ้า** ให้เก็บเครื่องมือไว้ในที่ที่เด็กหยิบไม่ถึง และไมอนุญาตให้บุคคลที่ไม่คุ้นเคยกับเครื่องมือบุคคลที่ไม่ได้อนคำแนะนำเหล่านี้ใช้เครื่องมือไฟฟ้าเป็นของอันตรายหากตกอยู่ในมือของผู้ใช้ที่ไม่ได้รับการฝึกฝน
- ▶ **บำรุงรักษาเครื่องมือไฟฟ้าและอุปกรณ์ประกอบ** ตรวจสอบชิ้นส่วนที่เคลื่อนที่ว่าวางไม่ตรงแนวหรือติดขัดหรือไม่ ตรวจสอบการแตกหักของชิ้นส่วนและสภาพอื่นใดที่อาจมีผลต่อการทำงานของเครื่องมือไฟฟ้า หากชำรุดต้องส่งเครื่องมือไฟฟ้าไปซ่อมแซมก่อนใช้งาน อุบัติเหตุหลายอย่างเกิดขึ้นเนื่องจากดูแลรักษาเครื่องไม่ดีพอ
- ▶ **รักษาเครื่องมือตัดให้คมและสะอาด** หากบำรุงรักษาเครื่องมือที่มีขอบตัดแหลมคมอย่างถูกต้องจะสามารถตัดได้ลื่นไม่ติดขัดและควบคุมได้ง่ายกว่า
- ▶ **ใช้เครื่องมือไฟฟ้า อุปกรณ์ประกอบ เครื่องมือ และอุปกรณ์อื่นๆ** ตรงตามคำแนะนำเหล่านี้ โดยคำนึงถึงเงื่อนไขการทำงานและงานที่จะทำ การใช้เครื่องมือไฟฟ้าทำงานที่ต่างไปจากวัตถุประสงค์การใช้งานของเครื่อง อาจนำไปสู่สถานการณ์ที่เป็นอันตรายได้
- ▶ **ดูแลตามจับและพื้นผิวจับให้แห้ง** สะอาด และปราศจากคราบน้ำมันและจาระบี ตามจับและพื้นผิวจับที่ลื่นทำให้หยิบจับได้ไม่ปลอดภัย และไม่สามารถควบคุมเครื่องมือในสถานการณ์ที่ไม่คาดคิด

### การใช้และการดูแลรักษาเครื่องที่ใช้แบตเตอรี่

- ▶ **ชาร์จไฟใหม่ด้วยเครื่องชาร์จที่บริษัทผู้ผลิตระบุไว้เท่านั้น** เครื่องชาร์จที่เหมาะสมสำหรับชาร์จแบตเตอรี่แพ็คประเภทหนึ่ง หากนำไปชาร์จแบตเตอรี่แพ็คประเภทอื่น อาจเกิดไฟไหม้ได้
- ▶ **ใช้เครื่องมือไฟฟ้าเฉพาะกับแบตเตอรี่แพ็คที่กำหนดไว้เท่านั้น** การใช้แบตเตอรี่แพ็คประเภทอื่นเสี่ยงต่อการเกิดไฟไหม้หรือบาดเจ็บ
- ▶ **เมื่อไม่ใช้งานแบตเตอรี่แพ็ค** ให้เก็บไว้ห่างวัตถุที่เป็นโลหะอื่นๆ เช่น คลิปหนีบกระดาษ เหรียญ ญาญ และตะปู สกรู หรือวัตถุที่เป็นโลหะขนาดเล็กอื่นๆ ที่สามารถเชื่อมต่อขั้วหนึ่งไปยังอีกขั้วหนึ่งได้

การลัดวงจรของขั้วแบตเตอรี่อาจทำให้เกิดการไหม้หรือไฟลุกได้

- ▶ หากใช้แบตเตอรี่อย่างอาจมีของเหลวไหลออกมาจากแบตเตอรี่ได้ ให้หลีกเลี่ยงการสัมผัส หากสัมผัสโดยบังเอิญ ให้ใช้น้ำล้าง หากของเหลวเข้าตา ให้ขอความช่วยเหลือจากแพทย์ด้วย

ของเหลวที่ไหลออกมาจากแบตเตอรี่อาจทำให้เกิดอาการคันหรือแสบผิวหนังได้

- ▶ อย่าใช้แบตเตอรี่แพ็คหรือเครื่องมือที่ชำรุดหรือดัดแปลง

แบตเตอรี่ที่ชำรุดหรือดัดแปลงอาจแสดงอาการที่ไม่สามารถคาดเดาได้ ส่งผลให้เกิดไฟไหม้ ระเบิด หรือความเสี่ยงต่อการได้รับบาดเจ็บ

- ▶ อย่าให้แบตเตอรี่แพ็คหรือเครื่องมือสัมผัสไฟหรืออุณหภูมิที่สูงเกินไป หากสัมผัสไฟหรืออุณหภูมิที่สูงกว่า 130 °C อาจทำให้เกิดการระเบิดได้

- ▶ ปฏิบัติตามคำแนะนำเกี่ยวกับการชาร์จทั้งหมด และต้องไม่ชาร์จแบตเตอรี่แพ็คหรือเครื่องมือ

นอกช่วงอุณหภูมิที่กำหนดในคำแนะนำ การชาร์จแบตเตอรี่อย่างไม่ถูกวิธีหรือนอกช่วงอุณหภูมิที่กำหนด อาจทำให้แบตเตอรี่เสียหายและเพิ่มความเสี่ยงต่อการเกิดไฟไหม้

#### การบริการ

- ▶ ส่งเครื่องมือไฟฟ้าของท่านเข้ารับบริการจากช่างซ่อมที่มีคุณสมบัติเหมาะสม โดยใช้อะไหล่ที่เหมือนกันเท่านั้น ในลักษณะนี้ท่านจะแน่ใจได้ว่าเครื่องมือไฟฟ้าอยู่ในสภาพที่ปลอดภัย
- ▶ อย่าบำรุงรักษาแบตเตอรี่แพ็คที่ชำรุดอย่างเด็ดขาด ต้องส่งไปบริษัทผู้ผลิตหรือศูนย์บริการที่ได้ รับอนุญาตทำการบำรุงรักษาแบตเตอรี่แพ็คเท่านั้น

#### คำแนะนำเพื่อความปลอดภัยสำหรับเครื่องเป่าลม

- ▶ อย่าเป่าวัสดุที่เป็นอันตรายต่อสุขภาพ เช่น ฝุ่นจากไม้ขี้หรือไม้ไผ่ ฝุ่นของหินหรืออิฐ แร่ใยหิน วัสดุเหล่านี้ถือเป็นสารก่อมะเร็ง
- ▶ อย่าเป่าของเหลว หากของเหลวเข้าในมอเตอร์ จะเพิ่มความเสี่ยงต่อการถูกไฟฟ้าดูด
- ▶ ตรวจสอบให้แน่ใจว่าผู้ที่อยู่ในพื้นที่ จะไม่ได้รับบาดเจ็บจากวัตถุแปลกปลอมที่ถูกเป่าออกมา
- ▶ เหนี่ยวมือของท่านออกห่างจากช่องเปิดของเครื่องมือไฟฟ้าในขณะที่ทำงาน ใช้งานเครื่องเป่าลมเฉพาะเมื่อมีหัวเป่าลมเสียบอยู่เท่านั้น เครื่องเป่าลมที่หมุนอยู่อาจทำให้ท่านได้รับบาดเจ็บ
- ▶ จัดสถานที่ทำงานให้มีอากาศถ่ายเทที่ดี

- ▶ อย่าปล่อยให้เด็กๆ ใช้เครื่องมือไฟฟ้าโดยไม่ควบคุมดูแล เด็กอาจทำให้ตนเองบาดเจ็บได้

- ▶ สวมอุปกรณ์ป้องกันตัวเพิ่มเติม เช่น แวนครอบคานีกรัก และหมวกกันน็อก การสวมอุปกรณ์ป้องกันสำหรับเงื่อนไขที่เหมาะสมช่วยลดการสัมผัสสารอันตราย



- ▶ เมื่อแบตเตอรี่ชำรุดและนำไปใช้งานอย่าง ไม่ถูกต้อง อาจมีไอระเหยออกมาได้ แบตเตอรี่อาจเผาไหม้หรือระเบิดได้ให้สูดอากาศบริสุทธิ์และไปพบแพทย์ในกรณีเจ็บปวด ไอระเหยอาจทำให้ระบบหายใจระคายเคือง

- ▶ อย่าเปิดแบตเตอรี่ อันตรายจากการลัดวงจร

- ▶ วัตถุที่แหลมคม ต. ย. เช่น ตะปูหรือไขควง หรือแรงกระทำภายนอก อาจทำให้แบตเตอรี่เสียหายได้ สิ่งเหล่านี้ อาจทำให้เกิดการลัดวงจรภายในและแบตเตอรี่ไหม้ มีควัน ระเบิด หรือร้อนเกินไป

- ▶ ใช้แบตเตอรี่แพ็คเฉพาะในผลิตภัณฑ์ของผู้ผลิตเท่านั้น ในลักษณะนี้ แบตเตอรี่แพ็คจะได้รับการปกป้องจากการใช้งานเกินกำลังซึ่งเป็นอันตราย



ปกป้องแบตเตอรี่จากความร้อน รวมทั้ง ต. ย. เช่น จากการถูกแสงแดดส่องต่อเนื่อง จากไฟลิ่งสปริง น้ำ และความชื้น อันตรายจากการระเบิดและการลัดวงจร

#### รายละเอียดผลิตภัณฑ์และข้อมูล

##### จำเพาะ



อ่านคำเตือนเพื่อความปลอดภัยและคำแนะนำทั้งหมด การไม่ปฏิบัติตามคำเตือนและคำสั่งอาจเป็นสาเหตุให้ถูกไฟฟ้าดูด เกิดไฟไหม้ และ/หรือได้รับบาดเจ็บอย่างร้ายแรง

กรุณาดูภาพประกอบในส่วนหน้าของคู่มือการใช้งาน

##### ประโยชน์การใช้งานของเครื่อง

เครื่องมือไฟฟ้านี้เหมาะสำหรับเป่าวัสดุที่ไม่เป็นอันตรายต่อสุขภาพมารวมกัน (เช่น ขี้เลื่อย เศษโลหะ ฝุ่นจากหิน ฯลฯ) เช่น เศษที่เกิดจากการเลื่อย การเจาะ หรือการขัด เมื่อติดตั้งอุปกรณ์ประกอบที่เหมาะสมยังสามารถใช้เป่ารูเจาะได้ด้วย เครื่องมือไฟฟ้านี้ไม่เหมาะสำหรับเป่าวัสดุที่ร้อน ติดไฟได้ หรือระเบิดได้ มารวมกัน

## ส่วนประกอบที่แสดงภาพ

ลำดับเลขของส่วนประกอบผลิตภัณฑ์อ้างอิงถึงส่วนประกอบของเครื่องที่แสดงในหน้าภาพประกอบ

- (1) สวิตช์เปิด-ปิด พร้อมการเลือกระดับความเร็ว
- (2) ด้ามจับ
- (3) แบตเตอรี่<sup>(A)</sup>
- (4) ทางลมเข้า
- (5) ตัวเรือนมอเตอร์
- (6) หัวเป่าลม
- (7) แป้นปลดล๊อคแบตเตอรี่
- (8) ส่วนเว้า เชื่อมต่ออุปกรณ์ประกอบ
- (9) ท่อต่อ
- (10) หัวเป่าลมรูเจาะ
- (11) ท่อเก็บฝุ่น
- (12) ตัวล๊อคแบบเขี้ยว
- (13) ส่วนเว้า ท่อเก็บฝุ่น

- A) อุปกรณ์ประกอบที่แสดงภาพหรืออธิบายไม่รวมอยู่ในการจัดส่งมาตรฐาน  
กรุณาดูอุปกรณ์ประกอบทั้งหมดในรายการแสดงอุปกรณ์ประกอบของเรา

## ข้อมูลทางเทคนิค

เครื่องเป่าลมไร้สาย	GBL 18V-120	
หมายเลขสินค้า		3 601 JF5 1..
ความเร็วรอบเดินตัวเปล่า	นาที <sup>-1</sup>	17000
ความเร็วลม สูงสุด	m/s	75
ปริมาณลม	ม. <sup>3</sup> /นาที	2.0
น้ำหนักตามระเบียบการ-EPTA-Procedure 01:2014	กก.	1.4-2.4 <sup>A)</sup>
อุณหภูมิโดยรอบที่แนะนำเมื่อชาร์จ	°C	0...+45
อุณหภูมิโดยรอบที่อนุญาตเมื่อใช้งาน <sup>B)</sup> และระหว่างการเก็บรักษา	°C	-20...+50
แบตเตอรี่ที่แนะนำ		GBA 18V... ProCORE 18V...
เครื่องชาร์จที่แนะนำ		GAL 18... GAX 18... GAL 36...

## เครื่องเป่าลมไร้สาย

GBL 18V-120

ช่วงเวลาทำงานต่อการชาร์จแบตเตอรี่

– ระดับเครื่องเป่าลม I	นาที/ แอมแปร์ ชั่วโมง	9
– ระดับเครื่องเป่าลม II	นาที/ แอมแปร์ ชั่วโมง	5

A) ขึ้นอยู่กับแบตเตอรี่แพ็คที่ใช้

B) สมรรถภาพจะน้อยลงที่อุณหภูมิ < 0 °C

ข้อมูลทางเทคนิคกำหนดโดยไซท์แบตเตอรี่แพ็คที่จัดส่งมา

## การติดตั้ง

### การชาร์จแบตเตอรี่

#### ▶ ใช้เฉพาะเครื่องชาร์จแบตเตอรี่ที่ระบุในข้อมูลทาง

เทคนิคเท่านั้น เฉพาะเครื่องชาร์จแบตเตอรี่เหล่านี้

นี้เท่านั้นที่เข้าชุดกับแบตเตอรี่ลิเธียมไอออน ที่ใช้ในเครื่องมือไฟฟ้าของท่าน

**หมายเหตุ:** แบตเตอรี่แพ็คที่จัดส่งมาถูกชาร์จมาแล้วบางส่วน เพื่อให้แบตเตอรี่แพ็คทำงานได้เต็มประสิทธิภาพ

ต้องชาร์จแบตเตอรี่แพ็คในเครื่องชาร์จแบตเตอรี่แพ็ค

ในเครื่องชาร์จแบตเตอรี่ที่เติมก่อนใช้งานเครื่อง

มือไฟฟ้าของท่านเป็นครั้งแรก

แบตเตอรี่ลิเธียม ไอออน

สามารถชาร์จได้ทุกเวลาโดยอายุการใช้งานจะไม่ลดลง การขัดจังหวะกระบวนการชาร์จไม่ทำให้แบตเตอรี่แพ็คเสียหาย “Electronic Cell Protection (ECP)” ช่วยป้องกันไม่ให้แบตเตอรี่ลิเธียม ไอออน จ่ายกระแสไฟฟ้อกติก เมื่อแบตเตอรี่หมด วงจรป้องกันจะดับสวิตช์เครื่อง

#### ▶ หากปิดสวิตช์ลงโดยอัตโนมัติ อย่ากดสวิตช์เปิด-ปิดอีกต่อไป แบตเตอรี่อาจชาร์จได้

### การถอดแบตเตอรี่แพ็ค (ดูภาพประกอบ A1-A2)

แบตเตอรี่ (3) มีการล็อกสองระดับเพื่อป้องกันไม่ให้แบตเตอรี่ร่วงหลุดออกมาหากกดแป้นปลดล๊อคแบตเตอรี่ (7) โดยไม่ตั้งใจ เมื่อแบตเตอรี่ถูกบรรจุอยู่ในเครื่องมือไฟฟ้า สปริงจะยึดแบตเตอรี่ให้เข้าตำแหน่ง

– เมื่อต้องการถอดแบตเตอรี่แพ็ค (3) ออก ให้กดแป้นปลดล๊อคแบตเตอรี่แพ็ค (7) และดึงแบตเตอรี่แพ็คขึ้นออกจากเครื่องมือไฟฟ้า **อย่าใช้กำลังดึง**

อ่านและปฏิบัติตามข้อสั่งสำหรับการกำจัดขยะ

## ติดตั้งเครื่องเป่าลม (รูปภาพประกอบ B1-B3)

- ▶ **ถอดแบตเตอรี่ออกก่อนซ่อมบำรุงหรือทำความสะอาด เครื่องมือไฟฟ้า ปรับตั้งค่า เปลี่ยนชิ้นส่วนอุปกรณ์ ประกอบ หรือจัดเก็บเครื่องมือไฟฟ้า** มาตรการเพื่อความปลอดภัยนี้ช่วยป้องกันการติดเครื่องโดยไม่ตั้งใจ

สำหรับรูปแบบการเชื่อมต่อชิ้นส่วนอุปกรณ์ประกอบต่างๆ ของเครื่องเป่าลมเข้าด้วยกัน กรุณาดูภาพประกอบ

- เลียบตัวล็อคแบบเขี้ยว (12) ของอุปกรณ์ประกอบเข้าในช่อง (8) ของครอบมอเตอร์ หรือเข้าในช่อง (8) ของท่อต่อ (9)
- หมุนตัวล็อคแบบเขี้ยวตามเข็มนาฬิกาไปหนึ่งส่วนสี่รอบ หมุน

### การติดตั้งท่อเก็บฝุ่น

เมื่อเป่ารูเจาะ เศษตกค้างจากการเจาะจะถูกเป่าไปยังผู้ใช้งานเครื่อง ดังนั้นบนหัวเป่าลมรูเจาะ (10) เราขอแนะนำให้ติดตั้งท่อเก็บฝุ่น (11)

- เลียบช่อง (13) ของท่อเก็บฝุ่น (11) เข้าบนตัวล็อคแบบเขี้ยว (12) ด้านนอกของหัวเป่าลมรูเจาะ (10)
- หมุนท่อเก็บฝุ่น (11) ตามเข็มนาฬิกาไปหนึ่งส่วนสี่รอบ หมุน

## การปฏิบัติงาน

- ▶ **ถอดแบตเตอรี่ออกก่อนซ่อมบำรุงหรือทำความสะอาด เครื่องมือไฟฟ้า ปรับตั้งค่า เปลี่ยนชิ้นส่วนอุปกรณ์ ประกอบ หรือจัดเก็บเครื่องมือไฟฟ้า** มาตรการเพื่อความปลอดภัยนี้ช่วยป้องกันการติดเครื่องโดยไม่ตั้งใจ

### การเริ่มต้นปฏิบัติงาน

#### การเปิด-ปิดเครื่อง

- **เปิดสวิตช์** เครื่องมือไฟฟ้าโดยกดสวิตช์เปิด-ปิด (1) ในตำแหน่ง I หรือ II  
ตำแหน่ง I: เป่าวัสดุ น้ำหนักเบา มารวมกัน  
ตำแหน่ง II: เป่าวัสดุ น้ำหนักมาก มารวมกัน
- **ปิดสวิตช์** โดยกดสวิตช์เปิด-ปิด (1) ในตำแหน่ง "0" ไปจนสุด

### ข้อแนะนำในการทำงาน

อย่าเป่าเศษสกปรกไปยังคนที่ยืนอยู่ใกล้ๆ

ขณะทำงาน ต้องถือเครื่องมือไฟฟ้าให้อยู่เหนือพื้นดินประมาณ 3 ซม. เสมอ

อย่าเป่าวัสดุที่ร้อน ติดไฟได้ หรือระเบิดได้ มารวมกัน

ในระหว่างเป่า ต้องระมัดระวังอย่าให้สิ่งสกปรกใดๆ ถูกดูดเข้าในช่องทางลมเข้า (4)

## การบำรุงรักษาและการบริการ

### การบำรุงรักษาและการทำความสะอาด

- ▶ **ถอดแบตเตอรี่ออกจากเครื่องมือไฟฟ้าก่อนทำการปรับแต่งใดๆ ที่เครื่องมือไฟฟ้า (ค. ย. เช่น บำรุงรักษา เปลี่ยนเครื่องมือ ฯลฯ) รวมทั้งเมื่อขนย้ายและเก็บรักษา** อันตรายจากการบาดเจ็บหากสวิตช์เปิด-ปิดติดขึ้นอย่างไม่ตั้งใจ
- ▶ **เพื่อให้ทำงานได้อย่างถูกต้องและปลอดภัย ต้องรักษาเครื่องและช่องระบายอากาศ ให้สะอาดอยู่เสมอ**

### การบริการหลังการขายและการให้คำปรึกษาการใช้งาน

ศูนย์บริการหลังการขายของเรายินดีตอบคำถามของท่านที่เกี่ยวกับการบำรุงรักษาและการซ่อมแซมผลิตภัณฑ์รวมทั้งเรื่องอะไหล่ ภาพเขียนแบบการประกอบและข้อมูลเกี่ยวกับอะไหล่ กรุณาดูใน: [www.bosch-pt.com](http://www.bosch-pt.com) ที่งานที่ปรึกษาของ บอช ยินดีให้ข้อมูลเกี่ยวกับผลิตภัณฑ์ของเราและอุปกรณ์ประกอบต่างๆ

เมื่อต้องการสอบถามและสั่งซื้ออะไหล่ กรุณาแจ้งหมายเลขสินค้า 10 หลักบนแผ่นป้ายรุ่นของผลิตภัณฑ์ทุกครั้ง

### ไทย

ไทย บริษัท โรเบิร์ต บอช จำกัด  
 เอพวยไอ เซ็นเตอร์ อาคาร 1 ชั้น 5  
 เลขที่ 2525 ถนนพระราม 4  
 แขวงคลองเตย เขตคลองเตย กรุงเทพฯ 10110  
 โทร: +66 2012 8888  
 แฟกซ์: +66 2064 5800  
[www.bosch.co.th](http://www.bosch.co.th)

ศูนย์บริการซ่อมและฝึกอบรม บอช  
 อาคาร ลาซาลทาวเวอร์ ชั้น G ห้องเลขที่ 2  
 บ้านเลขที่ 10/11 หมู่ 16  
 ถนนศรีนครินทร์ ตำบลบางแก้ว อำเภอบางพลี  
 จังหวัดสมุทรปราการ 10540  
 ประเทศไทย  
 โทรศัพท์ 02 7587555  
 โทรสาร 02 7587525

### การขนส่ง

แบตเตอรี่ลิเธียม ไอออน ที่บรรจุอยู่ภายในได้ข้อกำหนดแห่งกฎหมายสินค้าอันตราย ผู้ใช้สามารถขนส่งแบตเตอรี่แพ็คโดยทางถนนโดยไม่มีข้อบังคับอื่นๆหากขนส่งโดยบุคคลที่สาม

(เช่น : การขนส่งทางอากาศ หรือตัวขนส่งสินค้า) ต้องปฏิบัติตามข้อกำหนดพิเศษเกี่ยวกับการบรรจุภัณฑ์และการติดฉลาก สำหรับการเตรียมสิ่งของที่จะจัดส่ง จำเป็นต้องปรึกษาผู้เชี่ยวชาญด้านวัตถุอันตราย

ส่งแบตเตอรี่แพ็คเมื่อตัวหุ้มไม่ชำรุดเสียหายเท่านั้น ใช้แถบกาวพันปิดหน้าสัมผัสที่เปิดอยู่ และนำแบตเตอรี่แพ็คใส่กล่องบรรจุโดยไม่ให้เคลื่อนไปมาในกล่องได้ นอกจากนี้นี้กรุณาปฏิบัติตามกฎระเบียบของประเทศซึ่งอาจมีรายละเอียดเพิ่มเติม

### การกำจัดขยะ



เครื่องมือไฟฟ้า แบตเตอรี่แพ็ค อุปกรณ์ประกอบ และที่บ่อ ต้องนำ

ไปแยกประเภทวัสดุเพื่อนำกลับมาใช้ใหม่โดยไม่ทำลายสภาพแวดล้อม



อย่าทิ้งเครื่องมือไฟฟ้าและแบตเตอรี่แพ็ค/แบตเตอรี่ที่นำกลับมาชาร์จใหม่ได้ ลงในขยะบ้าน!

### แบตเตอรี่แพ็ค/แบตเตอรี่:

#### ลิเธียม ไอออน:

กรุณาปฏิบัติตามคำแนะนำในใบทการขนส่ง (ดู "การขนส่ง", หน้า 34)

### adanya cairan, gas, atau debu yang mudah terbakar.

Perkakas listrik dapat memancarkan bunga api yang kemudian mengakibatkan debu atau uap terbakar.

- ▶ **Jauhkan dari jangkauan anak-anak dan pengamat saat mengoperasikan perkakas listrik.** Gangguan dapat menyebabkan hilangnya kendali.

### Keamanan listrik

- ▶ **Steker perkakas listrik harus sesuai dengan stopkontak. Jangan pernah memodifikasi steker. Jangan menggunakan steker adaptor bersama dengan perkakas listrik yang terhubung dengan sistem grounding.** Steker yang tidak dimodifikasi dan stopkontak yang cocok akan mengurangi risiko sengatan listrik.

- ▶ **Hindari kontak badan dengan permukaan yang terhubung dengan sistem grounding, seperti pipa, radiator, kompor, dan lemari es.** Terdapat peningkatan risiko terjadinya sengatan listrik jika badan Anda terhubung dengan sistem grounding.

- ▶ **Perkakas listrik tidak boleh terpapar hujan atau basah.** Air yang masuk ke dalam perkakas listrik menambah risiko terjadinya sengatan listrik.

- ▶ **Jangan menyalahgunakan kabel. Jangan gunakan kabel untuk membawa, menarik, atau melepas steker perkakas listrik. Jauhkan kabel dari panas, minyak, tepi yang tajam, atau komponen yang bergerak.** Kabel listrik yang rusak atau tersangkut menambah risiko terjadinya sengatan listrik.

- ▶ **Saat mengoperasikan perkakas listrik di luar ruangan, gunakan kabel ekstensi yang sesuai untuk penggunaan di luar ruangan.** Penggunaan kabel yang cocok untuk pemakaian di luar ruangan mengurangi risiko terjadinya sengatan listrik.

- ▶ **Jika perkakas listrik memang harus dioperasikan di tempat yang lembap, gunakan pemutus arus listrik residu (RCD).** Penggunaan RCD akan mengurangi risiko terjadinya sengatan listrik.

### Keselamatan personel

- ▶ **Tetap waspada, perhatikan aktivitas yang sedang dikerjakan dan gunakan akal sehat saat mengoperasikan perkakas listrik. Jangan gunakan perkakas listrik saat mengalami kelelahan atau di bawah pengaruh narkoba, alkohol, atau obat-obatan.** Jika perkakas listrik dioperasikan dengan daya konsentrasi yang rendah, hal tersebut dapat menyebabkan cedera serius.

- ▶ **Gunakan peralatan pelindung diri. Selalu kenakan pelindung mata.** Penggunaan perlengkapan pelindung seperti penutup telinga, helm, sepatu anti licin, dan masker debu akan mengurangi cedera.

- ▶ **Hindari start yang tidak disengaja. Pastikan switch berada di posisi off sebelum perkakas listrik dihubungkan ke sumber daya listrik dan/atau baterai, diangkat, atau dibawa.** Membawa perkakas listrik dengan jari menempel pada tombol atau perkakas listrik dalam keadaan hidup dapat memicu kecelakaan.

## Bahasa Indonesia

### Petunjuk Keselamatan

#### Petunjuk keselamatan umum untuk perkakas listrik

#### **⚠ PERINGATAN** Baca semua peringatan, petunjuk, ilustrasi, dan spesifikasi

keselamatan yang diberikan bersama perkakas listrik ini. Kesalahan dalam menjalankan petunjuk di bawah ini dapat mengakibatkan sengatan listrik, kebakaran, dan/atau cedera serius.

#### **Simpanlah semua peringatan dan petunjuk untuk penggunaan di masa mendatang.**

Istilah "perkakas listrik" dalam peringatan mengacu pada perkakas listrik yang dioperasikan dengan listrik (menggunakan kabel) atau perkakas listrik yang dioperasikan dengan baterai (tanpa kabel).

#### Keamanan tempat kerja

- ▶ **Jaga kebersihan dan pencahayaan area kerja.** Area yang berantakan atau gelap dapat memicu kecelakaan.
- ▶ **Jangan mengoperasikan perkakas listrik di lingkungan yang dapat memicu ledakan, seperti**



- ▶ **Singkirkan kunci penyetel atau kunci pas sebelum menghidupkan perkakas listrik.** Perkakas atau kunci pas yang masih menempel pada komponen perkakas listrik yang berputar dapat menyebabkan cedera.
- ▶ **Jangan melampaui batas. Berdirilah secara mantap dan selalu jaga keseimbangan.** Hal ini akan memberikan kontrol yang lebih baik terhadap perkakas listrik pada situasi yang tak terduga.
- ▶ **Kenakan pakaian dengan wajar. Jangan mengenakan perhiasan atau pakaian yang longgar. Jauhkan rambut dan pakaian dari komponen yang bergerak.** Pakaian yang longgar, rambut panjang, atau perhiasan dapat tersangkut dalam komponen yang bergerak.
- ▶ **Jika disediakan perangkat untuk sambungan pengisapan debu dan alat pengumpulan, pastikan perangkat tersebut terhubung dan digunakan dengan benar.** Penggunaan alat pengumpulan dapat mengurangi bahaya yang disebabkan oleh debu.
- ▶ **Jangan berpuas diri dan mengabaikan prinsip keselamatan karena terbiasa mengoperasikan perkakas.** Tindakan yang kurang hati-hati dapat mengakibatkan cedera serius dalam waktu sepersekian detik.

#### Penggunaan dan pemeliharaan perkakas listrik

- ▶ **Jangan memaksakan perkakas listrik. Gunakan perkakas listrik yang sesuai untuk pekerjaan yang dilakukan.** Perkakas listrik yang sesuai akan bekerja dengan lebih baik dan aman sesuai tujuan penggunaan.
- ▶ **Jangan gunakan perkakas listrik dengan switch yang tidak dapat dioperasikan.** Perkakas listrik yang switchnya yang tidak berfungsi dapat menimbulkan bahaya dan harus diperbaiki.
- ▶ **Lepaskan steker dari sumber listrik dan/atau lepas baterai, jika dapat dilepaskan dari perkakas listrik sebelum menyetel, mengganti aksesoris, atau menyimpan perkakas listrik.** Tindakan preventif akan mengurangi risiko menghidupkan perkakas listrik secara tidak disengaja.
- ▶ **Jauhkan dan simpan perkakas listrik dari jangkauan anak-anak dan jangan biarkan orang-orang yang tidak mengetahui cara menggunakan perkakas listrik, mengoperasikan perkakas listrik.** Perkakas listrik dapat membahayakan jika digunakan oleh orang-orang yang tidak terlatih.
- ▶ **Lakukan pemeliharaan perkakas listrik dan aksesoris.** Periksa komponen yang bergerak apabila tidak lurus atau terikat, kerusakan komponen, dan kondisi lain yang dapat mengganggu pengoperasian perkakas listrik. Apabila rusak, perbaiki perkakas listrik sebelum digunakan. Kecelakaan sering terjadi karena perkakas listrik tidak dirawat dengan baik.
- ▶ **Jaga ketajaman dan kebersihan alat.** Alat pemotong dengan pisau pemotong yang tajam dan dirawat dengan baik tidak akan mudah tersangkut dan lebih mudah dikendalikan.

- ▶ **Gunakan perkakas listrik, aksesoris, dan komponen perkakas dll sesuai dengan petunjuk ini, dengan mempertimbangkan kondisi kerja dan pekerjaan yang akan dilakukan.** Penggunaan perkakas listrik untuk tujuan berbeda dari fungsinya dapat menyebabkan situasi yang berbahaya.
- ▶ **Jaga gagang dan permukaan genggam agar tetap kering, bersih, dan bebas dari minyak dan lemak.** Gagang dan permukaan genggam yang licin tidak menjamin keamanan kerja dan kontrol alat yang baik pada situasi yang tidak terduga.

#### Penggunaan dan pemeliharaan perkakas baterai

- ▶ **Isi ulang daya hanya dengan pengisi daya yang ditentukan oleh produsen.** Pengisi daya yang sesuai untuk satu jenis set baterai dapat menyebabkan risiko kebakaran apabila digunakan dengan set baterai lain.
- ▶ **Hanya gunakan perkakas listrik dengan set baterai yang dirancang khusus.** Penggunaan set baterai lain dapat menyebabkan risiko cedera dan kebakaran.
- ▶ **Apabila set baterai tidak digunakan, jauhkan dari benda logam lainnya, seperti klip kertas, koin, kunci, paku, sekrup, atau benda logam kecil lainnya yang dapat membuat sambungan dari satu terminal ke terminal lainnya.** Memendekkan terminal baterai dapat menyebabkan kebakaran atau api.
- ▶ **Cairan dapat keluar dari baterai jika baterai tidak digunakan dengan benar; hindari kontak. Jika terjadi kontak secara tidak disengaja, bilas dengan air. Jika cairan mengenai mata, segera hubungi bantuan medis.** Cairan yang keluar dari baterai dapat menyebabkan iritasi atau luka bakar.
- ▶ **Jangan gunakan set baterai atau perkakas yang rusak atau telah dimodifikasi.** Baterai yang rusak atau telah dimodifikasi dapat menimbulkan kejadian yang tak terduga seperti kebakaran, ledakan, atau risiko cedera.
- ▶ **Jangan meletakkan set baterai atau perkakas di dekat api atau suhu tinggi.** Paparan terhadap api atau suhu di atas 130 °C dapat memicu ledakan.
- ▶ **Ikuti semua petunjuk pengisian daya dan jangan mengisi daya set baterai atau perkakas di luar rentang suhu yang ditentukan dalam petunjuk.** Pengisian daya yang tidak tepat atau di luar rentang suhu yang ditentukan dapat merusak baterai dan meningkatkan risiko kebakaran.

#### Servis

- ▶ **Minta teknisi berkualifikasi untuk menyervis perkakas listrik dengan hanya menggunakan suku cadang yang identik.** Dengan demikian, hal ini akan memastikan keamanan perkakas listrik.
- ▶ **Jangan pernah melakukan servis pada baterai yang telah rusak.** Servis baterai hanya boleh dilakukan oleh produsen atau penyedia servis resmi.

### Petunjuk keamanan alat pembumih

- ▶ **Jangan meniup bahan-bahan yang membahayakan kesehatan seperti serbuk debu dari kayu oak atau kayu fagus, batuan, asbes.** Bahan-bahan tersebut termasuk zat karsinogenik.
- ▶ **Jangan meniup cairan.** Masuknya cairan ke dalam alat dapat meningkatkan risiko sengatan listrik.
- ▶ **Pastikan bahwa tidak terdapat seorang pun yang berada di dekat alat untuk menghindari risiko cedera akibat benda-benda asing yang beterbangan.**
- ▶ **Jauhkan jari tangan dari lubang perkakas listrik selama pengoperasian.** Hanya operasikan alat menggunakan nozel yang telah terpasang. Alat yang berputar dapat menyebabkan cedera.
- ▶ **Upayakanlah agar ada pertukaran udara di tempat kerja.**
- ▶ **Jangan biarkan anak-anak menggunakan perkakas listrik tanpa pengawasan.** Anak-anak bisa melukai diri sendiri.
- ▶ **Gunakan sarana pelindung pribadi tambahan seperti kacamata pelindung dan masker antidebu.** Memakai sarana pelindung sesuai dengan pekerjaan yang dilakukan dapat mengurangi bahaya yang disebabkan oleh bahan-bahan yang mengancam kesehatan.



- ▶ **Asap dapat keluar apabila terjadi kerusakan atau penggunaan yang tidak tepat pada baterai. Baterai dapat terbakar atau meledak.** Biarkan udara segar mengalir masuk dan kunjungi dokter apabila mengalami gangguan kesehatan. Asap tersebut dapat mengganggu saluran pernafasan.
- ▶ **Jangan membuka baterai.** Ada bahaya terjadinya korsleting.
- ▶ **Baterai dapat rusak akibat benda-benda lancip, seperti jarum, obeng, atau tekanan keras dari luar.** Hal ini dapat menyebabkan terjading hubungan singkat internal dan baterai dapat terbakar, berasap, meledak, atau mengalami panas berlebih.
- ▶ **Hanya gunakan baterai pada produk yang dibuat oleh produsen.** Hanya dengan cara ini, baterai dapat terlindungi dari kelebihan muatan.



**Lindungi baterai dari panas, misalnya juga dari paparan sinar matahari dalam waktu yang lama, api, kotoran, air dan kelembapan.** Terdapat risiko ledakan dan korsleting.

### Spesifikasi produk dan performa



**Bacalah semua petunjuk keselamatan dan petunjuk penggunaan.** Kesalahan dalam menjalankan petunjuk keselamatan dan petunjuk penggunaan dapat mengakibatkan kontak listrik, kebakaran, dan/atau luka-luka

yang berat.

Perhatikan ilustrasi yang terdapat pada sisi sampul panduan pengoperasian.

### Tujuan penggunaan

Perkakas listrik ini cocok untuk meniup bahan-bahan yang tidak berbahaya untuk kesehatan (misalnya serbuk gergaji, serutan logam, debu dari batuan, dll) yang dihasilkan saat menggergaji, mengebor atau menggerinda. Untuk itu, bahan-bahan tersebut dapat diisi dengan aksesoris lubang bor yang sesuai.

Perkakas listrik ini tidak cocok untuk meniup material yang panas, mudah terbakar atau rentan meledak.

### Ilustrasi komponen

Nomor-nomor dari bagian-bagian perkakas pada gambar sesuai dengan gambar perkakas listrik pada halaman bergambar.

- (1) Tombol on/off dengan pilihan level
- (2) Gagang
- (3) Baterai<sup>A)</sup>
- (4) Outlet udara
- (5) Housing mesin
- (6) Nozel
- (7) Switch pelepas baterai
- (8) Bukaan sambungan aksesoris
- (9) Tabung ekstensi
- (10) Nozel lubang bor
- (11) Pipa pengumpul debu
- (12) Sambungan bayonet
- (13) Bukaan pipa pengumpul debu

A) **Aksesoris yang ada pada gambar atau yang dijelaskan tidak termasuk dalam lingkup pengiriman standar. Semua aksesoris yang ada dapat Anda lihat dalam program aksesoris kami.**

### Data teknis

Blower berdaya baterai	GBL 18V-120	
Nomor seri	3 601 JF5 1..	
Kecepatan idle	min <sup>-1</sup>	17000
Laju aliran udara, maks.	m/s	75
Volume udara	m <sup>3</sup> /min	2,0
Berat sesuai dengan EPTA-Procedure 01:2014	kg	1,4-2,4 <sup>A)</sup>

Blower berdaya baterai	GBL 18V-120	
Suhu sekitar yang direkomendasikan saat pengisian daya	°C	0...+45
Suhu sekitar yang diizinkan saat pengoperasian <sup>B)</sup> dan saat disimpan	°C	-20...+50
Baterai yang direkomendasikan		GBA 18V... ProCORE 18V...
Perangkat pengisian daya yang direkomendasikan		GAL 18... GAX 18... GAL 36...
Daya tahan baterai tiap pengisian ulang baterai		
- Level blower I	min/Ah	9
- Level blower II	min/Ah	5

A) tergantung pada baterai yang digunakan

B) daya terbatas pada suhu <0 °C

Data teknis ditentukan dengan baterai yang termasuk dalam lingkup pengiriman.

## Pemasangan

### Mengisi daya baterai

- ▶ Hanya gunakan pengisi daya yang tercantum pada data teknis. Hanya pengisi daya ini yang sesuai dengan baterai Li-ion yang digunakan pada perkakas listrik Anda.

**Catatan:** Baterai dikirim dalam keadaan terisi sebagian. Untuk memastikan kinerja penuh baterai, isi penuh daya baterai ke perangkat pengisi daya sebelum menggunakannya untuk pertama kali.

Daya baterai Li-ion dapat diisi setiap saat tanpa mengurangi masa pakainya. Penghentian proses pengisian daya tidak merusak baterai.

Baterai Li-ion terlindung dari pengosongan daya total melalui "Electronic Cell Protection (ECP)". Bila daya baterai habis, perkakas listrik akan dimatikan oleh sirkuit pelindung.

- ▶ **Jangan menekan kembali tombol on/off setelah perkakas listrik mati secara otomatis.** Baterai dapat rusak.

### Melepas baterai (lihat gambar A1–A2)

Baterai (3) memiliki dua level penguncian untuk mencegah baterai terlepas saat tombol pelepas baterai (7) ditekan secara tidak sengaja. Selama baterai berada di dalam perkakas listrik, baterai ditahan dalamudukannya dengan pegas.

- Untuk melepas baterai (3), tekan tombol pelepas baterai (7) dan tarik baterai dari perkakas listrik ke depan.

**Jangan melepas baterai dengan paksa.**

Perhatikan petunjuk untuk membuang.

### Memasang aksesoris blower (lihat gambar B1–B3)

- ▶ **Lepas baterai sebelum melakukan perawatan atau membersihkan perkakas listrik, melakukan pengaturan pada perangkat, mengganti komponen aksesoris atau menyimpan perkakas listrik.** Tindakan keselamatan kerja ini menghindarkan perkakas listrik menyala tanpa disengaja.

Lihat gambar mengenai pilihan kombinasi dari beragam komponen aksesoris blower.

- Masukkan sambungan bayonet (12) aksesoris ke dalam bukaan (8) housing mesin dengan kencang atau ke dalam bukaan (8) pipa ekstensi (9).
- Putar sambungan bayonet hingga seperempat putaran searah jarum jam.

### Memasang pipa pengumpul debu

Saat meniup dari lubang bor, sisa-sisa pengeboran akan tertiuip ke arah pengguna. Oleh karena itu, direkomendasikan untuk memasang pipa pengumpul debu (11) dengan nozel lubang bor (10).

- Masukkan sambungan (13) pipa pengumpul debu (11) melalui sambungan bayonet luar (12) nozel lubang bor (10).
- Putar pipa pengumpul debu (11) hingga seperempat putaran searah jarum jam.

## Penggunaan

- ▶ **Lepas baterai sebelum melakukan perawatan atau membersihkan perkakas listrik, melakukan pengaturan pada perangkat, mengganti komponen aksesoris atau menyimpan perkakas listrik.** Tindakan keselamatan kerja ini menghindarkan perkakas listrik menyala tanpa disengaja.

### Pengoperasian

#### Menyalakan/mematikan

- Untuk **menyalakan** perkakas listrik, tekan tombol on/off (1) ke posisi I atau II.  
Posisi I: Meniup material ringan.  
Posisi II: Meniup material berat.
- Untuk **mematikan** perkakas listrik, tekan tombol on/off (1) ke posisi "0" hingga maksimal.

#### Petunjuk pengoperasian

Jangan pernah meniup kotoran serbuk ke arah orang lain yang berada di sekitar Anda.

Selalu jaga jarak antara perkakas listrik dengan lantai sekitar 3 cm selama pengerjaan.

Jangan meniup material yang panas, mudah terbakar atau rentan meledak.

Pastikan outlet udara (4) tidak dapat mengisap kotoran selama proses meniup.

## Perawatan dan servis

### Perawatan dan pembersihan

- ▶ **Sebelum melakukan semua pekerjaan pada perkakas listrik (misalnya merawat, mengganti alat kerja, dsb.) serta selama transpor dan penyimpanan, keluarkanlah baterai dari perkakas listrik.** Terdapat risiko cedera apabila tombol untuk menghidupkan dan mematikan dioperasikan tanpa sengaja.
- ▶ **Perkakas listrik dan lubang ventilasi harus selalu dibersihkan agar perkakas dapat digunakan dengan baik dan aman.**

### Layanan pelanggan dan konsultasi penggunaan

Layanan pelanggan Bosch menjawab semua pertanyaan Anda tentang reparasi dan perawatan serta tentang suku cadang produk ini. Gambaran teknis (exploded view) dan informasi mengenai suku cadang dapat ditemukan di:

**www.bosch-pt.com**

Tim konsultasi penggunaan Bosch akan membantu Anda menjawab pertanyaan seputar produk kami beserta aksesorinya.

Jika Anda hendak menanyakan sesuatu atau memesan suku cadang, selalu sebutkan nomor model yang terdiri dari 10 angka dan tercantum pada label tipe produk.

#### Indonesia

PT Robert Bosch  
Palma Tower 10th Floor  
Jalan RA Kartini II-S Kaveling 6  
Pondok Pinang, Kebayoran Lama  
Jakarta Selatan 12310  
Tel.: (021) 3005 5800  
Fax: (021) 3005 5801  
E-Mail: boschpowertools@id.bosch.com  
www.bosch-pt.co.id

### Transpor

Pada baterai-baterai li-ion yang digunakan diterapkan persyaratan terkait peraturan-peraturan tentang bahan-bahan yang berbahaya. Baterai-baterai dapat diangkut oleh penggunanya tanpa pembatasan lebih lanjut di jalan.

Pada pengiriman oleh pihak ketiga (misalnya transportasi udara atau perusahaan ekspedisi) harus ditaati syarat-syarat terkait kemasan dan pemberian tanda. Dalam hal ini, diperlukan konsultasi dengan ahli bahan-bahan berbahaya saat mengatur barang pengiriman.

Kirimkan baterai hanya jika housing-nya tidak rusak. Tutup bagian-bagian yang terbuka dan kemas baterai agar tidak bergerak-gerak di dalam kemasan. Taatilah peraturan-peraturan nasional lainnya yang mungkin lebih rinci yang berlaku di negara Anda.

### Cara membuang



Perkakas listrik, baterai, aksesoris dan kemasan harus didaur ulang dengan cara yang ramah lingkungan.



Jangan membuang perkakas listrik, aki/baterai ke dalam sampah rumah tangga!

#### Baterai:

##### Li-ion:

Perhatikanlah petunjuk-petunjuk dalam bab Transpor (lihat „Transpor“, Halaman 39).

## Tiếng Việt

### Hướng dẫn an toàn

#### Hướng dẫn an toàn chung cho dụng cụ điện

**⚠ CẢNH BÁO** **Hãy đọc toàn bộ các cảnh báo an toàn, hướng dẫn, hình ảnh và thông số kỹ thuật được cung cấp cho dụng cụ điện cầm tay này.** Không tuân thủ mọi hướng dẫn được liệt kê dưới đây có thể bị điện giật, gây cháy và /hay bị thương tật nghiêm trọng. **Hãy giữ tất cả tài liệu về cảnh báo và hướng dẫn để tham khảo về sau.**

Thuật ngữ "dụng cụ điện cầm tay" trong phần cảnh báo là đề cập đến sự sử dụng dụng cụ điện cầm tay của bạn, loại sử dụng điện nguồn (có dây cắm điện) hay vận hành bằng pin (không dây cắm điện).

#### Khu vực làm việc an toàn

- ▶ **Giữ nơi làm việc sạch và đủ ánh sáng.** Nơi làm việc bừa bộn và tối tăm dễ gây ra tai nạn.
- ▶ **Không vận hành dụng cụ điện cầm tay trong môi trường dễ gây nổ, chẳng hạn như nơi có chất lỏng dễ cháy, khí đốt hay rác.** Dụng cụ điện cầm tay tạo ra các tia lửa nên có thể làm rác bén cháy hay bốc khói.
- ▶ **Không để trẻ em hay người đến xem đứng gần khi vận hành dụng cụ điện cầm tay.** Sự phân tâm có thể gây ra sự mất điều khiển.

#### An toàn về điện

- ▶ **Phích cắm của dụng cụ điện cầm tay phải thích hợp với ổ cắm. Không bao giờ được cải biến lại phích cắm dưới mọi hình thức. Không được sử dụng phích tiếp hợp nối tiếp đất (dây mát).** Phích cắm nguyên bản và ổ cắm đúng loại sẽ làm giảm nguy cơ bị điện giật.
- ▶ **Tránh không để thân thể tiếp xúc với đất hay các vật có bề mặt tiếp đất như đường ống, lò sưởi, hàng rào và tủ lạnh.** Có nhiều nguy cơ bị điện giật hơn nếu cơ thể bạn bị tiếp hay nối đất.
- ▶ **Không được để dụng cụ điện cầm tay ngoài mưa hay ở tình trạng ẩm ướt.** Nước vào máy sẽ làm tăng nguy cơ bị điện giật.

- ▶ **Không được lạm dụng dây dẫn điện. Không bao giờ được nắm dây dẫn để xách, kéo hay rút phích cắm dụng cụ điện cầm tay. Không để dây gần nơi có nhiệt độ cao, dầu nhớt, vật nhọn bén và bộ phận chuyển động.** Làm hỏng hay cuộn rối dây dẫn làm tăng nguy cơ bị điện giật.
- ▶ **Khi sử dụng dụng cụ điện cầm tay ngoài trời, dùng dây nối thích hợp cho việc sử dụng ngoài trời.** Sử dụng dây nối thích hợp cho việc sử dụng ngoài trời làm giảm nguy cơ bị điện giật.
- ▶ **Nếu việc sử dụng dụng cụ điện cầm tay ở nơi ẩm ướt là không thể tránh được, dùng thiết bị ngắt mạch tự động (RCD) bảo vệ nguồn.** Sử dụng thiết bị ngắt mạch tự động RCD làm giảm nguy cơ bị điện giật.

#### An toàn cá nhân

- ▶ **Hãy tỉnh táo, biết rõ mình đang làm gì và hãy sử dụng ý thức khi vận hành dụng cụ điện cầm tay.** Không sử dụng dụng cụ điện cầm tay khi đang mệt mỏi hay đang bị tác động do chất gây nghiện, rượu hay được phẩm gây ra. Một thoáng mất tập trung khi đang vận hành dụng cụ điện cầm tay có thể gây thương tích nghiêm trọng cho bản thân.
- ▶ **Sử dụng trang bị bảo hộ cá nhân. Luôn luôn đeo kính bảo vệ mắt.** Trang bị bảo hộ như khẩu trang, giày chống trượt, nón bảo hộ, hay dụng cụ bảo vệ tai khi được sử dụng đúng nơi đúng chỗ sẽ làm giảm nguy cơ thương tật cho bản thân.
- ▶ **Phòng tránh máy khởi động bất ngờ. Bảo đảm công tắc máy ở vị trí tắt trước khi cắm vào nguồn điện và/hay lắp pin vào, khi nhắc máy lên hay khi mang xách máy.** Ngáng ngón tay vào công tắc máy để xách hay kích hoạt dụng cụ điện cầm tay khi công tắc ở vị trí mở dễ dẫn đến tai nạn.
- ▶ **Lấy mọi chìa hay khóa điều chỉnh ra trước khi mở điện dụng cụ điện cầm tay.** Khóa hay chìa còn gắn dính vào bộ phận quay của dụng cụ điện cầm tay có thể gây thương tích cho bản thân.
- ▶ **Không rướn người. Luôn luôn giữ tư thế đứng thích hợp và thăng bằng.** Điều này tạo cho việc điều khiển dụng cụ điện cầm tay tốt hơn trong mọi tình huống bất ngờ.
- ▶ **Trang phục thích hợp. Không mặc quần áo rộng lủng thụng hay mang trang sức. Giữ tóc và quần áo xa khỏi các bộ phận chuyển động.** Quần áo rộng lủng thụng, đồ trang sức hay tóc dài có thể bị cuốn vào các bộ phận chuyển động.
- ▶ **Nếu có các thiết bị đi kèm để nối máy hút bụi và các phụ kiện khác, bảo đảm các thiết bị này được nối và sử dụng tốt.** Việc sử dụng các thiết bị gom hút bụi có thể làm giảm các độc hại liên quan đến bụi gây ra.
- ▶ **Không để thói quen do sử dụng thường xuyên dụng cụ khiến bạn trở nên chủ quan và bỏ qua các quy định an toàn dụng cụ.** Một hành vi bất cẩn có thể gây ra thương tích nghiêm trọng chỉ trong tích tắc.

#### Sử dụng và bảo dưỡng dụng cụ điện cầm tay

- ▶ **Không được ép máy. Sử dụng dụng cụ điện cầm tay đúng loại theo đúng ứng dụng của bạn.** Dụng cụ điện cầm tay đúng chức năng sẽ làm việc tốt và an toàn hơn theo đúng tiến độ mà máy được thiết kế.
- ▶ **Không sử dụng dụng cụ điện cầm tay nếu như công tắc không tắt và mở được.** Bất kỳ dụng cụ điện cầm tay nào mà không thể điều khiển được bằng công tắc là nguy hiểm và phải được sửa chữa.
- ▶ **Rút phích cắm ra khỏi nguồn điện và/hay pin ra khỏi dụng cụ điện cầm tay nếu có thể tháo được, trước khi tiến hành bất kỳ điều chỉnh nào, thay phụ kiện, hay cất dụng cụ điện cầm tay.** Các biện pháp ngăn ngừa như vậy làm giảm nguy cơ dụng cụ điện cầm tay khởi động bất ngờ.
- ▶ **Cất giữ dụng cụ điện cầm tay không dùng tới nơi trẻ em không lấy được và không cho người chưa từng biết dụng cụ điện cầm tay hay các hướng dẫn này sử dụng dụng cụ điện cầm tay.** Dụng cụ điện cầm tay nguy hiểm khi ở trong tay người chưa được chỉ cách sử dụng.
- ▶ **Bảo quản dụng cụ điện cầm tay và các phụ kiện.** Kiểm tra xem các bộ phận chuyển động có bị sai lệch hay kẹt, các bộ phận bị rạn nứt và các tình trạng khác có thể ảnh hưởng đến sự vận hành của máy. Nếu bị hư hỏng, phải sửa chữa máy trước khi sử dụng. Nhiều tai nạn xảy ra do bảo quản dụng cụ điện cầm tay tồi.
- ▶ **Giữ các dụng cụ cất bên và sạch.** Bảo quản đúng cách các dụng cụ cất cạnh cất bên làm giảm khả năng bị kẹt và dễ điều khiển hơn.
- ▶ **Sử dụng dụng cụ điện cầm tay, phụ kiện, đầu cài v. v., đúng theo các chỉ dẫn này, hãy lưu ý đến điều kiện làm việc và công việc phải thực hiện.** Sự sử dụng dụng cụ điện cầm tay khác với mục đích thiết kế có thể tạo nên tình huống nguy hiểm.
- ▶ **Giữ tay cầm và bề mặt nắm luôn khô ráo, sạch sẽ và không dính dầu mỡ.** Tay cầm và bề mặt nắm trơn trượt không đem lại thao tác an toàn và kiểm soát dụng cụ trong các tình huống bất ngờ.

#### Sử dụng và bảo quản dụng cụ dùng pin

- ▶ **Chỉ được sạc pin lại với bộ nạp điện do nhà sản xuất chỉ định.** Bộ nạp điện thích hợp cho

một loại pin có thể gây nguy cơ cháy khi sử dụng cho một loại pin khác.

- ▶ **Chỉ sử dụng dụng cụ điện cầm tay với loại pin được thiết kế đặc biệt dành riêng cho máy.** Sử dụng bất cứ loại pin khác có thể dẫn đến thương tật hay cháy.
- ▶ **Không sử dụng pin, để cách xa các vật bằng kim loại như kẹp giấy, tiền xu, chìa khoá, đinh, ốc vít hay các đồ vật kim loại nhỏ khác, thứ có thể tạo sự nối tiếp từ một đầu cực với một đầu cực khác.** Sự chập mạch của các đầu cực với nhau có thể gây bỏng hay cháy.
- ▶ **Bảo quản ở tình trạng tối, dung dịch từ pin có thể rỉ ra; tránh tiếp xúc.** Nếu vô tình chạm phải, hãy xối nước để rửa. Nếu dung dịch vào mắt, cần thêm sự hỗ trợ của y tế. Dung dịch tiết ra từ pin có thể gây ngứa hay bỏng.
- ▶ **Không được sử dụng bộ pin hoặc dụng cụ đã bị hư hại hoặc bị thay đổi.** Pin hỏng hoặc bị thay đổi có thể gây ra những tác động không lường trước được như cháy nổ hoặc nguy cơ thương tích.
- ▶ **Không đặt bộ pin hoặc dụng cụ ở gần lửa hoặc nơi quá nhiệt.** Tiếp xúc với lửa hoặc nhiệt độ cao trên 130 °C có thể gây nổ.
- ▶ **Tuân thủ tất cả các hướng dẫn nạp và không nạp bộ pin hay dụng cụ ở bên ngoài phạm vi nhiệt độ đã được quy định trong các hướng dẫn.** Nạp không đúng cách hoặc ở nhiệt độ ngoài phạm vi nạp đã quy định có thể làm hư hại pin và gia tăng nguy cơ cháy.

#### Bảo dưỡng

- ▶ **Đưa dụng cụ điện cầm tay của bạn đến thợ chuyên môn để bảo dưỡng, chỉ sử dụng phụ tùng đúng chủng loại để thay.** Điều này sẽ đảm bảo sự an toàn của máy được giữ nguyên.
- ▶ **Không bao giờ sửa chữa các bộ pin đã hư hại.** Chỉ cho phép nhà sản xuất hoặc các nhà cung cấp dịch vụ có ủy quyền thực hiện dịch vụ sửa chữa cho các bộ pin.

#### Cảnh báo an toàn dành cho máy thổi

- ▶ **Không thổi các chất có hại cho sức khỏe, ví dụ như bụi gỗ sỏi hoặc bụi gỗ dẻ gai, bụi đá, amiăng.** Những chất này được coi là chất gây ung thư.
- ▶ **Không thổi các chất lỏng.** Chất lỏng thấm vào sẽ làm tăng nguy cơ giật điện.
- ▶ **Hãy đảm bảo những người đứng gần không bị thương do vật thể lạ văng ra từ sản phẩm.**
- ▶ **Giữ ngón tay cách xa trong lúc vận hành các lỗ của dụng cụ điện cầm tay.** Vận hành máy thổi chỉ với vòi phun gắn kèm. Máy thổi xoay có thể làm bạn bị thương.
- ▶ **Tạo cho nơi làm việc được thông thoáng tốt.**

- ▶ **Không để trẻ em sử dụng dụng cụ điện cầm tay khi không có người lớn giám sát.** Trẻ em có thể tự gây thương tích cho chúng.
- ▶ **Mang trang bị bảo hộ cá nhân bổ sung như kính bảo vệ và mặt nạ phòng độc.** Trang bị các thiết bị bảo hộ thích hợp với hiện trạng lao động để làm giảm sự phơi nhiễm với các chất độc hại.



- ▶ **Trong trường hợp pin bị hỏng hay sử dụng sai cách, hơi nước có thể bốc ra. Pin có thể cháy hoặc nổ.** Hãy làm cho thông thoáng khí và trong trường hợp bị đau phải nhờ y tế chữa trị. Hơi nước có thể gây ngứa hệ hô hấp.
- ▶ **Không được tháo pin ra.** Nguy cơ bị chập mạch.
- ▶ **Pin có thể bị hư hại bởi các vật dụng nhọn như đinh hay tuốc-nơ-vít hoặc bởi các tác động lực từ bên ngoài.** Nó có thể dẫn tới đoản mạch nội bộ và làm pin bị cháy, bốc khói, phát nổ hoặc quá nóng.
- ▶ **Chỉ sử dụng pin trong các sản phẩm của nhà sản xuất.** Chỉ bằng cách này, pin sẽ được bảo vệ tránh nguy cơ quá tải.



**Bảo vệ pin không để bị làm nóng, ví dụ, chống để lâu dài dưới ánh nắng gay gắt, lửa, chất bẩn, nước, và sự ẩm ướt.** Có nguy cơ nổ và chập mạch.

## Mô Tả Sản Phẩm và Đặc Tính Kỹ Thuật



**Đọc kỹ mọi cảnh báo an toàn và mọi hướng dẫn.** Không tuân thủ mọi cảnh báo và hướng dẫn được liệt kê dưới đây có thể bị điện giật, gây cháy và / hay bị thương tật nghiêm trọng.

Xin lưu ý các hình minh hoạt trong phần trước của hướng dẫn vận hành.

### Sử dụng đúng cách

Dụng cụ điện cầm tay được thiết kế để thổi các chất không có hại cho sức khỏe với nhau (ví dụ như mùn cưa, bào phôi kim loại, bụi đá, v.v.) Khi chúng dồn lại trong quá trình cưa, khoan hoặc mài. Ngoài ra, các lỗ khoan có thể được thổi sạch bằng phụ kiện phù hợp.

Dụng cụ điện cầm tay không phù hợp để thổi các vật liệu nóng, dễ cháy nổ với nhau.



## Các bộ phận được minh họa

Sự đánh số các biểu trưng của sản phẩm là để tham khảo hình minh họa của máy trên trang hình ảnh.

- (1) Công tắc bật/tắt có chọn cấp
- (2) Tay Nắm
- (3) Pin<sup>A)</sup>
- (4) Lỗ lấy khí
- (5) Vỏ bọc động cơ
- (6) Vòi ống
- (7) Nút tháo pin
- (8) Lỗ trên khớp nối phụ kiện
- (9) Ống nối dài
- (10) Vòi phun lỗ khoan
- (11) Ống chứa bụi
- (12) Móc cài
- (13) Lỗ trên ống chứa bụi

A) Phụ tùng được trình bày hay mô tả không phải là một phần của tiêu chuẩn hàng hóa được giao kèm theo sản phẩm. Bạn có thể tham khảo tổng thể các loại phụ tùng, phụ kiện trong chương trình phụ tùng của chúng tôi.

## Thông số kỹ thuật

Máy thổi chạy pin	GBL 18V-120	
Mã số máy		<b>3 601 JF5 1..</b>
Tốc độ không tải	min <sup>-1</sup>	17000
Tốc độ dòng khí, tối đa.	m/s	75
Khối lượng khí	m <sup>3</sup> /min	2,0
Trọng lượng theo Qui trình EPTA-Procedure 01:2014	kg	1,4-2,4 <sup>A)</sup>
Nhiệt độ môi trường được khuyến nghị khi sạc	°C	0...+45
Nhiệt độ môi trường cho phép trong quá trình vận hành <sup>B)</sup> và trong quá trình lưu trữ	°C	-20...+50
Pin được khuyến dùng		GBA 18V... ProCORE 18V...
Thiết bị nạp được giới thiệu		GAL 18... GAX 18... GAL 36...
Thời gian hoạt động mỗi lần sạc pin		
– Cấp máy thổi I	min/Ah	9
– Cấp máy thổi II	min/Ah	5

A) tùy vào loại pin lốc đang sử dụng

B) hiệu suất giới hạn ở nhiệt độ <0 °C

Các dữ kiện kỹ thuật được xác định cho pin được giao cùng hàng hóa cung cấp.

## Sự lắp vào

### Tháo pin

► **Chỉ sử dụng bộ sạc được đề cập trong dữ liệu kỹ thuật.** Chỉ những bộ sạc này phù hợp cho dụng cụ điện cầm tay của bạn có sử dụng pin Li-Ion.

**Hướng dẫn:** Pin đã được sạc một phần. Để bảo đảm đầy đủ điện dung, nạp điện hoàn toàn lại cho pin trong bộ nạp điện pin trước khi sử dụng cho lần đầu tiên.

Pin Li-Ion hợp khối có thể nạp điện bất cứ lúc nào mà không làm giảm tuổi thọ của pin. Sự gián đoạn trong quá trình nạp điện không làm hư hại pin hợp khối.

Pin Li-Ion được bảo vệ ngăn sự phóng điện quá lớn nhờ vào "Electronic Cell Protection (ECP)". Nếu pin bị phóng điện, dụng cụ điện cầm tay sẽ được ngắt bởi một mạch bảo vệ.

► **Không tiếp tục ấn lên công tắc bật/tắt sau khi ngắt tự động.** Pin có thể bị hỏng.

### Tháo pin ra (xem Hình A1–A2)

Pin (3) có hai giai đoạn khóa để ngăn không cho pin bị rơi ra khi vô tình bấm phải nút tháo pin (7). Cứ khi nào pin còn được lắp trong dụng cụ điện, nó vẫn được giữ nguyên vị trí nhờ vào một lò xo.

– Để tháo pin (3) bạn hãy ấn nút tháo (7) và đẩy pin xuống lên trên ra khỏi dụng cụ điện cầm tay.  
**Không dùng sức.**

Quy trình hoạt động được chia ra làm hai giai đoạn.

### Lắp phụ kiện máy thổi (xem Hình B1–B3)

► **Hãy tháo pin, trước khi bạn bảo dưỡng hoặc làm sạch dụng cụ điện, điều chỉnh thiết bị, thay phụ kiện, hoặc bảo quản dụng cụ điện.**

Biện pháp an toàn này là nhằm phòng tránh sự vô ý làm khởi động dụng cụ điện.

Bạn có thể xem hình minh họa về khả năng kết hợp của các phụ kiện máy thổi khác nhau.

– Gài móc cài (12) của phụ kiện vào các lỗ (8) của vỏ động cơ hoặc vào các lỗ (8) của ống nối dài (9).

– Xoay khớp nối móc cài khoảng một phần tư vòng theo chiều kim đồng hồ.

### Lắp ống chứa bụi

Khi thổi các lỗ khoan, các mùn khoan sẽ được thổi về phía người điều khiển. Do đó, nên lắp ống chứa bụi qua vòi phun lỗ khoan (10) (11).

– Gắn các lỗ (13) của ống chứa bụi (11) qua khớp nối móc cài bên ngoài (12) của vòi phun lỗ khoan (10).

– Xoay ống chứa bụi (11) khoảng một phần tư vòng theo chiều kim đồng hồ.

## Vận Hành

- ▶ **Hãy bật pin, trước khi bạn bảo dưỡng hoặc làm sạch dụng cụ điện, điều chỉnh thiết bị, thay phụ kiện, hoặc bảo quản dụng cụ điện.** Biện pháp an toàn này là nhằm phòng tránh sự vó ý làm khởi động dụng cụ điện.

### Bắt Đầu Vận Hành

#### Bật/tắt

- Để **bật** dụng cụ điện cầm tay, hãy nhấn công tắc bật/tắt (1) sang vị trí I hoặc II.  
Vị trí I: Thối các vật liệu nhẹ với nhau.  
Vị trí II: Thối các vật liệu nặng với nhau.
- Để **tắt** hãy nhấn công tắc bật/tắt (1) cho đến khi dừng lại ở vị trí „0“.

### Hướng Dẫn Sử Dụng

Không được thổi bụi bắn về phía những người đang đứng gần.

Giữ dụng cụ điện cầm tay cách mặt đất khoảng 3 cm.

Không thổi các vật liệu nóng, dễ cháy nổ với nhau.

Lưu ý sao cho lỗ thoát khí (4) không hút phải tạp chất trong khi thổi.

## Bảo Dưỡng và Bảo Quản

### Bảo Dưỡng Và Làm Sạch

- ▶ **Trước khi tiến hành bất cứ công việc gì với máy (ví dụ bảo dưỡng, thay dụng cụ v.v..) cũng như khi vận chuyển hay lưu kho, tháo pin ra khỏi dụng cụ điện.** Có nguy cơ gây thương tích khi vô tình làm kích hoạt công tắc Tắt/Mở.
- ▶ **Để được an toàn và máy hoạt động đúng chức năng, luôn luôn giữ máy và các khe thông gió được sạch.**

### Dịch vụ hỗ trợ khách hàng và tư vấn sử dụng

Bộ phận phục vụ hàng sau khi bán của chúng tôi trả lời các câu hỏi liên quan đến việc bảo dưỡng và sửa chữa các sản phẩm cũng như phụ tùng thay thế của bạn. Sơ đồ mô tả và thông tin về phụ tùng thay thế cũng có thể tra cứu theo dưới đây:  
**www.bosch-pt.com**

Đội ngũ tư vấn sử dụng của Bosch sẽ giúp bạn giải đáp các thắc mắc về sản phẩm và phụ kiện.

Trong tất cả các phản hồi và đơn đặt phụ tùng, xin vui lòng luôn luôn nhập số hàng hóa 10 chữ số theo nhãn của hàng hóa.

#### Việt Nam

CN CÔNG TY TNHH BOSCH VIỆT NAM TẠI TP.HCM  
Tầng 14, Ngôi Nhà Đức, 33 Lê Duẩn

Phường Bến Nghé, Quận 1, Thành Phố Hồ Chí Minh

Tel.: (028) 6258 3690

Fax: (028) 6258 3692 - 6258 3694

Hotline: (028) 6250 8555

Email: tuvankhachhang-pt@vn.bosch.com

www.bosch-pt.com.vn

www.baohanhbosch-pt.com.vn

#### Campuchia

Công ty TNHH Robert Bosch (Campuchia)

Đơn nguyên 8BC, GT Tower, Tầng 08, Đường 169,

Tiếp Khắc Blvd, Sangkat Veal Vong,

Khan 7 Makara, Phnom Penh

VAT TIN: 100 169 511

Tel.: +855 23 900 685

Tel.: +855 23 900 660

www.bosch.com.kh

### Vận chuyển

Pin có chứa Li-Ion là đối tượng phải tuân theo các qui định của Pháp Luật về Hàng Hóa Nguy Hiểm. Người sử dụng có thể vận chuyển pin hợp khối bằng đường bộ mà không cần thêm yêu cầu nào khác.

Khi được vận chuyển thông qua bên thứ ba (vd. vận chuyển bằng đường hàng không hay đại lý giao nhận), phải tuân theo các yêu cầu đặc biệt về đóng gói và dán nhãn. Phải tham vấn chuyên gia về hàng hóa nguy hiểm khi chuẩn bị gói hàng.

Chỉ gửi pin hợp khối khi vỏ ngoài không bị hư hỏng. Dán băng keo hay che kín các điểm tiếp xúc hở và đóng gói pin hợp khối theo cách sao cho pin không thể xê dịch khi nằm trong bao bì. Ngoài ra, xin vui lòng chấp hành các qui định chi tiết có thể được bổ sung thêm của quốc gia.

### Sự thải bỏ



Dụng cụ điện, pin, phụ kiện và bao bì cần được tái sử dụng theo quy định về môi trường.



Bạn không được ném dụng cụ điện và pin vào thùng rác gia đình!

### Pin/ác quy:

#### Li-Ion:

Tuân thủ những hướng dẫn trong phần vận chuyển (xem „Vận chuyển“, Trang 43).

مخصص للاستعمال الخارجي من خطر الصدمات الكهربائية.

◀ **إن لم يكن بالإمكان تجنب تشغيل العدة الكهربائية في الأجواء الرطبة، فاستخدم مفتاح للوقاية من التيار المتخلف.** إن استخدام مفتاح للوقاية من التيار المتخلف يقلل خطر الصدمات الكهربائية.

#### أمان الأشخاص

◀ **كن يقظا وانتبه إلى ما تفعله واستخدم العدة الكهربائية بتعقل.** لا تستخدم عدة كهربائية عندما تكون متعبا أو عندما تكون تحت تأثير المخدرات أو الكحول أو الأدوية. عدم الانتباه للحظة واحدة عند استخدام العدة الكهربائية قد يؤدي إلى إصابات خطيرة.

◀ **قم لارتداء تجهيزات الحماية الشخصية.** وارتد دائما نظارات واقية. يعد ارتداء تجهيزات الحماية الشخصية، كقناع الوقاية من الغبار وأحذية الأمان الواقية من الانزلاق والوذو أو واقية الأذنين، حسب ظروف استعمال العدة الكهربائية، من خطر الإصابة بجروح.

◀ **تجنب التشغيل بشكل غير مقصود.** تأكد من كون العدة الكهربائية مطفأة قبل توصيلها بالتيار الكهربائي و/أو بالمركم، وقبل رفعها أو حملها. إن كنت تضع إصبعك على المفتاح أثناء حمل العدة الكهربائية أو إن وصلت الجهاز بالشبكة الكهربائية بينما لامفتاح على وضع التشغيل، قد يؤدي إلى وقوع الحوادث.

◀ **انزع أداة الضبط أو مفتاح الربط قبل تشغيل العدة الكهربائية.** قد تؤدي الأداة أو المفتاح المتواجد في جزء دوار من الجهاز إلى الإصابة بجروح.

◀ **تجنب أوضاع الجسم غير الطبيعية.** قف بأمان وحافظ على توازنك دائما. سيسمح لك ذلك بالتمكّن في الجهاز بشكل أفضل في المواقف الغير متوقعة.

◀ **قم بارتداء ثياب مناسبة.** لا ترتد الثياب الفضفاضة أو الملّية. احرص على إبقاء الشعر والملابس بعيدا عن الأجزاء المتحركة. قد تتشابك الثياب الفضفاضة والملّية والشعر الطويل بالأجزاء المتحركة.

◀ **إن جاز تركيب تجهيزات شفط وتجميع الغبار، فتأكد من أنها موصولة وبأنه يتم استخدامها بشكل سليم.** قد يقلل استخدام تجهيزات لشفط الغبار من المخاطر الناتجة عن الغبار.

◀ **لا تستخدم العدة الكهربائية بلا مبالاة وتجاهل قواعد الأمان الخاصة بها نتيجة لتعودك على استخدام العدة الكهربائية وكثرة استخدامها.** فقد يتسبب الاستخدام دون حرص في حدوث إصابة بالغة تحدث في أجزاء من الثانية.

حسن معاملة واستخدام العدد الكهربائية

◀ **لا تفرط بتحميل الجهاز.** استخدم لتفنيذ أشغالك العدة الكهربائية المخصصة لذلك. إنك تعمل بشكل أفضل وأكثر أماناً بواسطة العدة الكهربائية الملائمة في مجال الأداء المذكور.

◀ **لا تستخدم العدة الكهربائية إن كان مفتاح تشغيلها تالف.** العدة الكهربائية التي لم يعد من

## عربي

### إرشادات الأمان

#### الإرشادات العامة للأمان بالعدد الكهربائية

##### تحذير

اطلع على كافة تحذيرات الأمان والتعليمات والصور والمواصفات المرفقة بالعدة الكهربائية. عدم اتباع التعليمات الواردة أدناه قد يؤدي إلى حدوث صدمة كهربائية، إلى نشوب حريق و/أو الإصابة بجروح خطيرة.

احتفظ بجميع الملاحظات التحذيرية والتعليمات للمستقبل.

يقصد بمصطلح «العدة الكهربائية» المستخدم في الملاحظات التحذيرية، العدد الكهربائي الموصولة بالشبكة الكهربائية (بواسطة كابل الشبكة الكهربائية) وأيضا العدد الكهربائي المزودة بمركم (دون كابل الشبكة الكهربائية).

##### الأمان بمكان الشغل

◀ **حافظ على نظافة مكان شغلك وإضاءته بشكل جيد.** الفوضى في مكان الشغل ونطاقات العمل غير المضاءة قد تؤدي إلى وقوع الحوادث.

◀ **لا تشغل بالعدة الكهربائية في نطاق معرض لخطر الانفجار مثل الأماكن التي تتوفر فيه السوائل أو الغازات أو الأبخرة القابلة للاشتعال.** العدد الكهربائي تولد شررا قد يتطاير، فيشعل الأبخرة والأبخرة.

◀ **حافظ على بقاء الأطفال وغيرهم من الأشخاص بعيدا عندما تستعمل العدة الكهربائية.** تشتيت الانتباه قد يتسبب في فقدان السيطرة على الجهاز.

##### الأمان الكهربائي

◀ **يجب أن يتلائم قابس العدة الكهربائية مع المقبس.** لا يجوز تغيير القابس بأي حال من الأحوال. لا تستعمل القوابس المهائية مع العدد الكهربائية المؤرضة (ذات طرف أرضي). تخفّض القوابس التي لم يتم تغييرها والمقابس الملائمة من خطر الصدمات الكهربائية.

◀ **تجنب ملامسة جسمك للأسطح المؤرضة كالأنابيب والمبردات والمواقد أو التلّجات.** يزداد خطر الصدمات الكهربائية عندما يكون جسمك مَوْض أو موصل بالأرضي.

◀ **أبعد العدة الكهربائية عن الأمطار أو الرطوبة.** يزداد خطر الصدمات الكهربائية إن تسرب الماء إلى داخل العدة الكهربائية.

◀ **لا تسيء استعمال الكابل.** لا تستخدم الكابل في حمل العدة الكهربائية أو سحبها أو سحب القابس من المقبس. احرص على إبعاد الكابل عن الحرارة والزيت والحواف الحادة أو الأجزاء المتحركة. تزيد الكابلات التالفة أو المتشابكة من خطر الصدمات الكهربائية.

◀ **عند استخدام العدة الكهربائية خارج المنزل اقتصر على استخدام كابلات التمديد الصالحة للاستعمال الخارجي.** يقلل استعمال كابل تمديد

- ذلك. قد يؤدي سائل المركم المتسرب إلى تهيج البشرة أو إلى الاحتراق.
- ◀ لا تستخدم عدة أو مركم تعرضاً لأضرار أو للتعديل. البطاريات المتعرضة لأضرار أو لتعدلات قد ينتج عنها أشياء لا يمكن التنبؤ بها، قد تسبب نشوب حريق أو حدوث انفجار أو إصابات.
- ◀ لا تعرض المركم أو العدة للهب أو لدرجة حرارة زائدة. التعرض للهب أو لدرجة حرارة أعلى من 130 °م قد يتسبب في انفجار.
- ◀ اتبع تعليمات الشحن ولا تقم بشحن المركم أو العدة خارج نطاق درجة الحرارة المحدد في التعليمات. الشحن بشكل غير صحيح أو في درجات حرارة خارج النطاق الممدد قد يعرض المركم لأضرار ويزيد من مخاطر الحريق.

#### الخدمة

- ◀ احرص على إصلاح عدتك الكهربائية فقط بواسطة العمال المتخصصين وباستعمال قطع الغيار الأصلية فقط. يضمن ذلك المحافظة على أمان الجهاز.
- ◀ لا تقم بإجراء أعمال خدمة على المراكم التالفة. أعمال الخدمة على المراكم يجب أن تقوم بها الجهة الصانعة فقط أو مقدم الخدمة المعتمد.

#### ملاحظات الأمان للمنفاخ

- ◀ لا تقم بإزالة خامات مضرّة بالصحة مثل غبار خشب الزان أو خشب البلوط أو غبار الحجارة أو الإسبستوس عن طريق النفخ. حيث تعتبر هذه المواد من مسببات السرطان.
- ◀ لا تنفخ مواد سائلة. يزداد خطر التعرض لصدمة كهربائية في حالة تسرب السوائل.
- ◀ احرص على عدم إصابة الأشخاص الموجودين بالجوار من جراء الأجسام الخارجية المتطايرة من المنتج نتيجة للنفخ.
- ◀ أبعد أصابعك عن فتحات العدة الكهربائية أثناء التشغيل. لا تقم بتشغيل نافخ الغبار إلا والفوهة مركبة. قد يتسبب دوران المروحة في تعرضك للإصابة.
- ◀ قم بتوفير تهوية مناسبة في مكان العمل.
- ◀ لا تدع الأطفال يستخدمون العدة الكهربائية دون مراقبة. الأطفال قد يصبوا أنفسهم بجروح.
- ◀ احرص على ارتداء تجهيزات الحماية الشخصية مثل النظارة الواقية وقناع حماية التنفس. إن ارتداء تجهيزات الوقاية الشخصية بظروف معينة يقلل التعرض للمواد الفطرية.



- ◀ قد تنطلق أبخرة عند تلف المركم واستخدامه بطريقة غير ملائمة. يمكن أن يحترق المركم أو يتعرض للانفجار. أمن توفير الهواء النقي وراجع الطبيب إن شعرت بشكوى. قد تهيج هذه الأبخرة المجاري التنفسية.

- الممكن التحكم بها عن طريق مفتاح التشغيل والإطفاء تعتبر خطيرة ويجب أن يتم إصلاحها.
- ◀ اسحب القابس من المقبس و/أو اخلع المركم، إذا كان قابلاً للخلع، قبل ضبط الجهاز وقبل استبدال الملحقات أو قبل تخزين الجهاز. تمنع هذه الإجراءات وقائية تشغيل العدة الكهربائية بشكل غير مقصود.
- ◀ احتفظ بالعدة الكهربائية التي لا يتم استخدامها بعيداً عن متناول الأطفال. لا تسمح باستخدام العدة الكهربائية لمن لا خبرة له بها أو لمن لم يقرأ تلك التعليمات. العدد الكهربائية خطيرة إن تم استخدامها من قبل أشخاص دون خبرة.
- ◀ اعتن بالعدة الكهربائية والملحقات بشكل جيد. تأكد أن أجزاء الجهاز المتحركة مركبة بشكل سليم وغير مستعصية عن الحركة، وتفحص ما إن كانت هناك أجزاء مكسورة أو في حالة تؤثر على سلامة أداء العدة الكهربائية. ينبغي إصلاح هذه الأجزاء التالفة قبل إعادة تشغيل الجهاز. الكثير من الموادث مصدرها العدد الكهربائية التي تتم صيانتها بشكل رديء.
- ◀ احرص على إبقاء عدد القطع نظيفة وحادة. إن عدد القطع ذات حواف القطع المادة التي تم صيانتها بعناية تتكلم بشكل أقل ويمكن توجيهها بشكل أيسر.
- ◀ استخدم العدد الكهربائية والتوابع وريش الشغل إلخ. وفقاً لهذه التعليمات. تراعى أثناء ذلك ظروف الشغل والعمل المراد تنفيذه. استخدام العدد الكهربائية لغير الأشغال المخصصة لأجلها قد يؤدي إلى حدوث الحالات الخطيرة.
- ◀ احرص على إبقاء المقابض وأسطح المسك جافة ونظيفة وخالية من الزيوت والشحوم. المقابض وأسطح المسك الزلقة لا تتبع التشغيل والتحكم الآمن في العدة في المواقف غير المتوقعة.
- ◀ حسن معاملة واستخدام العدد المزودة بمركم اشحن المراكم فقط في أجهزة الشحن التي يُنصح باستخدامها من طرف المنتج. قد يتسبب جهاز الشحن المخصصة لنوع معين من المراكم في خطر الحريق إن تم استخدامه مع نوع آخر من المراكم.
- ◀ استخدم العدد الكهربائية فقط مع المراكم المصممة لهذا الغرض. قد يؤدي استخدام المراكم الأخرى إلى إصابات وإلى خطر نشوب المرائق.
- ◀ حافظ على إبعاد المركم الذي لا يتم استعماله عن مشابك الورق وقطع النقود المعدنية والمفاتيح والمسامير واللواكب أو غيرها من الأغراض المعدنية الصغيرة التي قد تقوم بتوصيل الملامسين ببعضهما البعض. قد يؤدي تقصير الدارة الكهربائية بين ملامسي المركم إلى احتراق أو إلى اندلاع النار.
- ◀ قد يتسرب السائل من المركم في حالة سوء الاستعمال. تجنب ملامسته. اشطفه بالماء في حال ملامسته بشكل غير مقصود. إن وصل السائل إلى العينين، فراجع الطبيب إضافة إلى

**(13) تجويف أنبوب تجميع الغبار**

◀ لا تفتح المركم. يتشكل خطر تقصير الدائرة الكهربائية.

◀ يمكن أن يتعرض المركم لأضرار من خلال الأشياء المدببة مثل المسامير والمفكات أو من خلال تأثير القوى الخارجية. وقد يؤدي هذا إلى تقصير الدائرة الكهربائية الداخلية واحترق المركم أو خروج الأدخنة منه أو انفجاره وتعرضه لسخونة مفرطة.

◀ اقتصر على استخدام المركم في منتجات الجهة الصانعة. يتم حماية المركم من فرط التخميل الخطير بهذه الطريقة فقط دون غيرها.

احرص على حماية المركم من الحرارة، بما ذلك التعرض لأشعة الشمس باستمرار ومن النار والاتساف والماء والرطوبة. حيث ينشأ خطر الانفجار وخطر حدوث دائرة قصر.

**وصف المنتج والأداء**

اقرأ جميع إرشادات الأمان والتعليمات. ارتكاب الأخطاء عند تطبيق إرشادات الأمان والتعليمات، قد يؤدي إلى حدوث صدمات الكهربائية أو إلى نشوب الحرائق و/أو الإصابة بجروح خطيرة.



(A) لا يتضمن إطار التوريد الاعتيادي التوابع المصورة أو المشروحة. تجد التوابع الكاملة في برنامجنا للتوابع.

يرجى الرجوع إلى الصور الموجودة في الجزء الأول من دليل التشغيل.

**البيانات الفنية**

نافخ الغبار العامل بمركم		رقم الصنف
GBL 18V-120	3 601 JF5 1..	17000
	دقيقة <sup>1</sup>	75
	م/ث	2,0
	متر <sup>3</sup> /دقيقة	الوزن حسب EPTA- Procedure 01:2014
	كجم	1,4-2,4 <sup>a</sup>
	°م	45+...0
	°م	50+...20-
	كجم	الدرجة الحرارة المحيطة المسموح به عند التشغيل <sup>b</sup> وعند التخزين
	كجم	المراكم الموصى بها
	كجم	أجهزة الشحن الموصى بها
	كجم	مدة التشغيل بشحنة مركم واحدة
	دقيقة/أمبير ساعة	- درجة المروحة I

**الاستعمال المطابق للتعليمات**

العدة الكهربائية مصممة لإزالة الخامات غير الضارة بالصحة عن طريق النفخ (على سبيل المثال، النشارة الخشبية، النشارة المعدنية، غبار الحجارة وما شابه) من مكان تراكمها أثناء عملية النشر أو الثقب أو التليخ. علاوة على ذلك يمكن تنظيف تجاويف الثقب بالنفخ عن طريق التوابع المناسبة.

العدة الكهربائية غير مخصصة لتنظيف الخامات الساخنة أو القابلة للاشتعال أو الانفجار عن طريق النفخ.

**الأجزاء المصورة**

يشير ترقيم الأجزاء المصورة إلى رسوم العدة الكهربائية الموجودة في صفحة الرسوم التخطيطية.

- (1) مفتاح التشغيل والإطفاء مع اختيار الدرجات
- (2) مقبض يدوي المركم<sup>a</sup>
- (3) مدخل الهواء
- (4) علبة المحرك
- (5) منفث
- (6) زر تحرير المركم
- (7) تجويف وصلة التوابع
- (8) ماسورة تطويل
- (9) فوهة تجويف الثقب
- (10) أنبوب تجميع الغبار
- (11) القفل المسماري

نافخ الغبار العامل بمركم		GBL 18V-120
5	دقيقة / أمير ساعة	- درجة المروحة II

(A) حسب المركم المستخدم

(B) قدرة محدودة في درجات الحرارة > 0° م  
تم تحديد البيانات الفنية من المركم المرفق بإطار التسليم.

## التركيب

### شحن المركم

◀ **اقتصِر على استخدام أجهزة الشحن المذكورة في المواصفات الفنية.** أجهزة الشحن هذه دون غيرها هي المتوافقة مع مركم أيونات الليثيوم المستخدم في عدتك الكهربائية.

**إرشاد:** يتم تسليم المركم وهو بحالة شحن جزئي. لضمان قدرة أداء المركم الكاملة، يتوجب شحن المركم في تجهيزات الشحن بشكل كامل قبل الاستعمال لأول مرة.

يمكن أن يتم شحن مركم أيونات الليثيوم في أي وقت، دون أن يقلل ذلك من فترة صلاحيته. لا يتسبب قطع عملية الشحن في الإضرار بالمركم.

تم حماية مركم أيونات الليثيوم من التفريغ الشديد بواسطة واقية الخلايا الإلكترونية (ECP). يتم إطفاء العدة الكهربائية من خلال قارئة واقية عندما يفرغ المركم.

◀ **لا تتابع الضغط على مفتاح التشغيل والإطفاء بعد الفصل الأوتوماتيكي.** فقد يتعرض المركم لأضرار.

### إخراج المركم (انظر الصور A1-A2)

يمتاز المركم (3) بدرجتَي إقفال اثنتين، تمنعان سقوط المركم للخارج في حال ضغط زر فك إقفال المركم بشكل غير مقصود (7). يتم تثبيت المركم بواسطة نابض مادام مركباً في العدة الكهربائية.

- لخلع المركم (3) اضغط على زر فك الإقفال (7) واجذب المركم من العدة الكهربائية إلى أعلى. لا تستخدم القوة أثناء ذلك.

تراجعى الملاحظات بصدد التخلص من العدد.

### تركيب توابع نافخ الغبار (انظر الصورة B1-B3)

◀ **أخرج المركم قبل صيانة العدة الكهربائية، أو تنظيفها، أو إجراء أوضاع الضبط أو تغيير قطع التوابع أو تخزين العدة الكهربائية.** تمنع هذه الإجراءات الاحترازية بدء تشغيل العدة الكهربائية بشكل غير مقصود.

يمكن معرفة إمكانات التركيب المختلفة لتوابع نافخ الغبار المتنوعة من الشكل.

- أدخل القفل المسماري (12) للتابع بشكل ثابت في التجاويف (8) الخاصة بجسم الموتور أو في التجاويف (8) الخاصة بأنبوب التطويل (9).  
- أدر القفل المسماري بمقدار ربع لفة في اتجاه حركة عقارب الساعة.

### تركيب أنبوب تجميع الغبار

عند تنظيف تجاويف الثقب عن طريق النفخ تتطاير بقايا الثقب في اتجاه المستخدم. لذلك ينصح بتركيب أنبوب تجميع الغبار (11) فوق فوهة تجويف الثقب (10).

- أدخل تجاويف (13) أنبوب تجميع الغبار (11) فوق القفل المسماري (12) الخاص بفوهة تجويف الثقب (10).
- أدر أنبوب تجميع الغبار (11) بمقدار ربع لفة في اتجاه عقارب الساعة.

## التشغيل

◀ **أخرج المركم قبل صيانة العدة الكهربائية، أو تنظيفها، أو إجراء أوضاع الضبط أو تغيير قطع التوابع أو تخزين العدة الكهربائية.** تمنع هذه الإجراءات الاحترازية بدء تشغيل العدة الكهربائية بشكل غير مقصود.

### بدء التشغيل

#### التشغيل والإطفاء

- لغرض تشغيل العدة الكهربائية اضغط مفتاح التشغيل والإطفاء (1) على الوضع I أو II.
- الوضع I: إزالة الغامات الخفيفة عن طريق النفخ.
- الوضع II: إزالة الغامات الثقيلة عن طريق النفخ.
- لغرض الإطفاء اضغط على زر التشغيل والإطفاء (1) حتى النهاية إلى الوضع "0".

### إرشادات العمل

- لا تنفخ الاتساعات أبداً في اتجاه أشخاص واقفين بالجوار.
- حافظ دائماً على مسافة 3 سم بين العدة الكهربائية والأرض.
- لا تنفخ وتجمع المواد الساخنة أو القابلة للاحتراق أو الانفجار.
- احرص على عدم السماح لمدخل الهواء (4) بشطف الأوساخ أثناء عملية النفخ.

## الصيانة والخدمة

### الصيانة والتنظيف

- ◀ **انزع المركم عن العدة الكهربائية قبل إجراء أي أعمال بالعدة الكهربائية (مثلاً: الصيانة، استبدال العدد وإلخ..). وأيضاً عند نقلها أو تخزينها.** هناك خطر إصابة بجروح عند الضغط على مفتاح التشغيل والإطفاء بشكل غير مقصود.
- ◀ **للعمل بشكل جيد وآمن حافظ دائماً على نظافة العدة الكهربائية وفتحات التهوية.**

### خدمة العملاء واستشارات الاستخدام

يجب مركز خدمة العملاء على الأسئلة المتعلقة بإصلاح المنتج وصيانته، بالإضافة لقطع الغيار. تجد الرسوم التفصيلية والمعلومات الخاصة بقطع الغيار في الموقع: [www.bosch-pt.com](http://www.bosch-pt.com)  
يسر فريق Bosch لاستشارات الاستخدام مساعدتك



**المغرب**

Robert Bosch Morocco SARL  
53, شارع الملازم محمد محروم  
20300 الدار البيضاء  
الهاتف: 212 5 29 31 43 27  
البريد الإلكتروني: sav.outillage@ma.bosch.com

**عمان**

ملتن للتجارة والمقاولات ش.م.م  
صندوق بريد 131، روى، مسقط  
الكود البريدي: 112، سلطنة عمان  
هاتف: +968 2479 4035/4089/4901  
جوال: +968-91315465  
فاكس: +968 2479 4058  
البريد الإلكتروني: sudhirkumar@malatan.net

**قطر**

الدولية لطلول البناء ش.م.م  
صندوق بريد صندوق 51،  
هاتف الدوحة: +974 40065458  
فاكس: +974 4453 8585  
بريد إلكتروني: csd@icsdoha.com

**المملكة العربية السعودية**

شركة الجفلي للمعدات الفنية (جيتكو)  
صندوق بريد: 1049 - جدة 21431 - المملكة العربية  
السعودية  
جدة: 00966 (0) 12 692 0770 - داخلي 433  
الرياض: 00966 (0) 11 409 3976 -  
داخلي-30/34/39  
الدمام: 00966 (0) 13 833 9565  
البريد الإلكتروني: M.Zreik@ejab.com.sa

**سوريا**

مؤسسة دلال للمعدات الكهربائية  
دمشق. شارع البرامكة - شارع بن عامر  
هاتف: +963112241006 أو 009631122414009  
الجوال: 00963991141005  
البريد الإلكتروني: rita.dallal@hotmail.com

**تونس**

روبرت بوش تونس ش.ذ.م.م  
7 زنقة ابن بطوطة Z.I. سان جوبان  
مقرين رياض  
2014 ابن عروس  
هاتف: 216 71 427 496/879  
فاكس: 216 71 428 621  
بريد إلكتروني: sav.outillage@tn.bosch.com

**الإمارات العربية المتحدة**

المركزية للسيارات والمعدات،  
صندوق بريد 26255، دبي  
دبي: 00971 (0) 4 3090920/3090930  
أبو ظبي: 00971 (0) 2 4017745  
الشارقة: 00971 (0) 6 5932777  
العين: 00971 (0) 3 7157419  
البريد الإلكتروني:  
Mallappa.Madari@centralmotors.ae

**اليمن**

مؤسسة أبو الرجال التجارية  
صنعا، شارع الزبيرى، أمام مبنى البرلمان الجديد  
هاتف: +967-1-202010

إذا كان لديك أي استفسارات بخصوص منتجاتنا وملحقاتها.

يلزم ذكر رقم الصنف ذو الخانات العشر وفقاً للوحة صنع المنتج عند إرسال أية استفسارات أو طلبيات قطع غيار.

**الجزائر**

سيستال  
منطقة الحدادين الصناعية  
06000 بجاية  
هاتف: +213 (0) 982 400 991/2  
فاكس: +213 (0) 3 420 1569  
بريد إلكتروني: sav@siestal-dz.com

**البحرين**

شركة الجفلي وإخوانه للمعدات الفنية.  
مملكة البحرين، العكر - بلوك 0624 - شارع 2403 -  
مبنى 0055D  
الهاتف: +97317704537  
فاكس: +973177045257  
البريد الإلكتروني: h.berjas@ejab.com.sa

**مصر**

RBEG-LLC  
22 كمال الدين حسين  
شيراتون هليوبوليس  
11799 القاهرة  
البريد الإلكتروني:  
boschegypt.powertools@eg.bosch.com

**العراق**

Sahba Technology Group  
شارع مطار المثنى  
بغداد  
هاتف بغداد: +964 (0) 7 901 930366  
هاتف دبي: +971 (0) 4 422 1898  
البريد الإلكتروني: duraid@sahbatechnology.com

**الأردن**

شركة الجذور العربية Roots Arabia - الأردن  
شارع الحرية، المقابلين  
عمان 11623، الأردن  
صندوق بريد: 110068  
هاتف: +962 6 4398990  
البريد الإلكتروني: bosch@rootsjordan.com

**الكويت**

منطقة الشويخ الصناعية، مبنى 1، قطعة 16، شارع  
رقم 3  
صندوق بريد صندوق 164 - 13002 الصفاة  
هاتف: 24810844  
فاكس: 24810879  
بريد إلكتروني: josephkr@aaalmutawa.com

**لبنان**

طحنيني هنا وشركاه ش.ذ.م.م.  
صندوق بريد صندوق 449-90  
جديدة  
الدورة-بيروت  
هاتف: +9611255211  
بريد إلكتروني: service-pt@tehini-hana.com

فاكس: +967-1-471917  
 بريد إلكتروني: /tech-tools@abualrejal.com  
 yahya@abualrejal.com

## النقل

تخضع مراكم أيونات الليثيوم المركبة لأحكام قانون المواد الخطيرة. يسمح للمستخدم أن يقوم بنقل المراكم على الطرقات دون التقيد بأية شروط إضافية.

عندما يتم إرسالها عن طريق طرف آخر (مثلاً: الشحن الجوي أو شركة شحن)، يتوجب التقيد بشروط خاصة بصدد التغليف ووضع العلامات. ينبغي استشارة خبير متخصص بنقل المواد الخطيرة عندما يرغب بتحضير المرمك المراد شحنه في هذه الحالة.

لا تقوم بشحن المراكم إلا إذا كان هيكلها الخارجي سليم. قم بتغطية الملامسات المكشوفة ب بلاصقات، و قم بتغليف المرمك بحيث لا يتحرك في الطرد. يرجى أيضاً مراعاة التشريعات المحلية المتعلقة إن وجدت.

## التخلص من العدة الكهربائية

يجب التخلص من العدة الكهربائية والمرمك والتوابع والتغليف بطريقة صديقة للبيئة عن طريق النفايات القابلة لإعادة التصنيع.



لا تلق العدة الكهربائية والمراكم/البطاريات ضمن النفايات المنزلية!



## المراكم/البطاريات:

### مراكم أيونات الليثيوم:

يرجى مراعاة الإرشادات الواردة في جزء النقل (انظر „النقل“، الصفحة 49).

مناسب برای محیط باز، خطر برق گرفتگی را کم می کنند.

◀ در صورت لزوم کار با ابزار برقی در محیط و اماکن مرطوب، باید از یک کلید حفاظتی جریان خطا و نشستی زمین (کلید قطع کننده اتصال با زمین) استفاده کنید. استفاده از کلید حفاظتی جریان خطا و نشستی زمین خطر برق گرفتگی را کاهش می دهد.

#### رعایت ایمنی اشخاص

◀ حواس خود را خوب جمع کنید، به کار خود دقت کنید و با فکر و هوشیاری کامل با ابزار برقی کار کنید. در صورت خستگی و یا در صورتی که مواد مخدر، الکل و دارو استفاده کرده‌اید، با ابزار برقی کار نکنید. یک لحظه بی توجهی هنگام کار با ابزار برقی، میتواند جراثم های شدیدی به همراه داشته باشد.

◀ از تجهیزات ایمنی شخصی استفاده کنید. همواره از عینک ایمنی استفاده نمایید.

استفاده از تجهیزات ایمنی مانند ماسک ضد گرد و غبار، کفشهای ایمنی ضد لغزش، کلاه ایمنی و گوشی محافظ متناسب با نوع کار با ابزار برقی، خطر مجروح شدن را کاهش میدهد.

◀ مواظب باشید که ابزار برقی بطور ناخواسته بکار نیفتد. قبل از وارد کردن دوشاخه دستگاه در پریز برق، اتصال آن به باتری، برداشتن آن و یا حمل دستگاه، باید دقت کنید که ابزار برقی خاموش باشد. در صورتی که هنگام حمل دستگاه انگشت شما روی دکمه قطع و وصل باشد و یا دستگاه را در حالت روشن به برق بزنید، ممکن است سوانح کاری پیش آید.

◀ قبل از روشن کردن ابزار برقی، همه ابزارهای تنظیم کننده و آپارها را از روی دستگاه بردارید. ابزار و آپارهایی که روی بخش های چرخنده دستگاه قرار دارند، میتوانند باعث ایجاد جراثم شوند.

◀ وضعیت بدن شما باید در حالت عادی قرار داشته باشد. برای کار جای مطمئنی برای خود انتخاب کرده و تعادل خود را همواره حفظ کنید. به این ترتیب میتوانید ابزار برقی را در وضعیتهای غیر منتظره بهتر تحت کنترل داشته باشید.

◀ لباس مناسب بپوشید. از پوشیدن لباسهای گشاد و حمل زینت آلات خودداری کنید. موها و لباس خود را از بخشهای در حال چرخش دستگاه دور نگه دارید. لباسهای گشاد، موی بلند و زینت آلات ممکن است در قسمتهای در حال چرخش دستگاه گیر کنند.

◀ در صورتی که تجهیزاتی برای اتصال وسائل مکش گرد و غبار و یا وسیله جمع کننده گرد و غبار ارائه شده است، باید مطمئن شوید که این وسائل درست نصب و استفاده می شوند. استفاده از وسائل مکش گرد و غبار مصونیت شما را در برابر گرد و غبار زیاده تر میکند.

◀ آشنایی با ابزار به دلیل کار کردن زیاد با آن نباید باعث سهل انگاری شما و نادیده گرفتن اصول ایمنی شود. بی دقتی ممکن است باعث بروز جراحاتی در عرض کسری از ثانیه شود.

## فارسی

### دستورات ایمنی

#### نکات ایمنی عمومی برای ابزارهای برقی

##### هشدار! کلیه هشدارها، دستورالعملها، تصاویر و مشخصات ارائه شده به همراه ابزار برقی را مطالعه کنید.

اشتباهات ناشی از عدم رعایت این دستورات ایمنی ممکن است باعث برق گرفتگی، سوختگی و یا سایر جراثم های شدید شود.

##### کلیه هشدارهای ایمنی و راهنماییها را برای آینده خوب نگهداری کنید.

عبارت «ابزار برقی» در هشدارها به ابزارهایی که به پریز برق متصل میشوند (با سیم برق) و یا ابزارهای برقی باتری دار (بدون سیم برق) اشاره دارد.

#### ایمنی محل کار

◀ محیط کار را تمیز و روشن نگه دارید. محیطهای در هم ریخته یا تاریک احتمال بروز حادثه را افزایش میدهند.

◀ ابزار برقی را در محیطهایی که خطر انفجار وجود دارد و حاوی مایعات، گازها و بخارهای متحرکه هستند، به کار نگیرید. ابزارهای برقی چرخههایی ایجاد میکنند که میتوانند باعث آتش گرفتن گرد و غبارهای موجود در هوا شوند.

◀ هنگام کار با ابزار برقی، کودکان و سایر افراد را از دستگاه دور نگه دارید. در صورتیکه حواس شما پرت شود، ممکن است کنترل دستگاه از دست شما خارج شود.

#### ایمنی الکتریکی

◀ دوشاخه ابزار برقی باید با پریز برق تناسب داشته باشد. هیچگونه تغییری در دوشاخه ایجاد نکنید. مبدل دوشاخه نباید همراه با ابزار برقی دارای اتصال زمین استفاده شود. دوشاخههای اصل و تغییر داده نشده و پریزهای مناسب، خطر برق گرفتگی را کاهش میدهند.

◀ از تماس بدنی با قطعات متصل به سیم اتصال زمین مانند لوله، شوفاژ، اجاق برقی و یخچال خودداری کنید. در صورت تماس بدنی با سطوح و قطعات دارای اتصال به زمین و همچنین تماس شما با زمین، خطر برق گرفتگی افزایش می یابد.

◀ ابزارهای برقی را در معرض باران و رطوبت قرار ندهید. نفوذ آب به ابزار برقی، خطر شوک الکتریکی را افزایش میدهد.

◀ از سیم دستگاه برای مقاصد دیگر استفاده نکنید. هرگز برای حمل ابزار برقی، کشیدن آن یا خارج کردن دوشاخه از سیم دستگاه استفاده نکنید. کابل دستگاه را از حرارت، روغن، لیبهای تیز یا قطعات متحرک دور نگه دارید. کابلهای آسیب دیده و یا گره خورده خطر شوک الکتریکی را افزایش میدهند.

◀ هنگام استفاده از ابزار برقی در محیطهای باز، تنها از کابل رابطی استفاده کنید که برای محیط باز نیز مناسب باشد. کابل های رابط

- شوند. ایجاد اتصالی بین دو قطب باتری (ترمینالهای باتری) میتواند باعث سوختگی و ایجاد حریق شود.
- استفاده بی رویه از باتری میتواند باعث خروج مایعات از آن شود؛ از هر گونه تماس با این مایعات خودداری کنید. در صورت تماس اتفاقی با آن، دست خود و یا محل تماس را با آب بشوئید. در صورت آلوده شدن چشم با این مایع، باید به پزشک مراجعه کنید. مایع خارج شده از باتری میتواند باعث التهاب پوست و سوختگی شود.
- هرگز از باتری یا ابزار آسیب دیده یا دست کاری شده استفاده نکنید. باتریهای آسیب دیده ممکن است کارکرد غیر منتظرهای داشته باشند و منجر به آتش سوزی، انفجار یا جراحت شوند.
- باتری یا ابزار را در معرض آتش یا دمای زیاد قرار ندهید. قرار گرفتن در معرض آتش یا دمای بالاتر از 130 درجه سانتیگراد میتواند باعث انفجار شود.
- همه راهنماییهای مربوط به شارژ را رعایت کنید و باتری یا ابزار را خارج از محدوده دمای تعریف شده در دستورات شارژ نکنید. شارژ کردن نادرست یا در دمای خارج از محدوده تعریف شده ممکن است به باتری صدمه بزند و خطر آتش سوزی را افزایش دهد.
- سرویس**
- برای تعمیر ابزار برقی فقط به متخصصین حرفهای رجوع کنید و از قطعات یدکی اصل استفاده نمایید. این باعث خواهد شد که ایمنی دستگاه شما تضمین گردد.
- هرگز باتریهای آسیب دیده را تعمیر نکنید. باتری باید تنها توسط متخصصین مجاز شرکت تعمیر شوند.
- راهنمایی های ایمنی برای دمنده (فَن)**
- از باد زدن اجسامی که مواد مضر برای سلامتی تولید می کنند، مانند گرد و غبار چوب درخت بلوط و راش، گرد و غبار سنگ و آزیست، خودداری کنید. این مواد سرطانزا هستند.
- از دمش و مکش مایعات بپرهیزید. نفوذ مایعات، خطر برق گرفتگی را افزایش می دهد.
- دقت کنید که افراد نزدیک شما با اجسام به هوا پرت شده زخمی نشوند.
- انگشتان خود را هنگام کار از سوراخهای ابزار برقی دور نگهدارید. فن را تنها با نازل نصب شده به کار ببرید. فن در حال چرخش ممکن است شما را مجروح کند.
- مراقب باشید که محل کار شما از تهویه کافی برخوردار باشد.
- نگذارید کودکان بدون نظارت از ابزار برقی استفاده کنند. خطر آسیب دیدن کودکان وجود دارد.
- از تجهیزات ایمنی شخصی مانند عینک ایمنی و ماسک تنفسی استفاده کنید. استفاده از تجهیزات ایمنی متناسب با نوع کاربرد ابزاربرقی،

- استفاده صحیح از ابزار برقی و مراقبت از آن
- از وارد کردن فشار زیاد روی دستگاه خودداری کنید. برای هر کاری، از ابزار برقی مناسب با آن استفاده کنید. بکار گرفتن ابزار برقی مناسب باعث میشود که بتوانید از توان دستگاه بهتر و با اطمینان بیشتر استفاده کنید.
- در صورت ایراد در کلید قطع و وصل ابزار برقی، از دستگاه استفاده نکنید. ابزار برقی که نمی توان آنها را قطع و وصل کرد، خطرناک بوده و باید تعمیر شوند.
- قبل از تنظیم ابزار برقی، تعویض متعلقات و یا کنار گذاشتن آن، دوشاخه را از برق بکشید و یا باتری آنرا خارج کنید. رعایت این اقدامات پیشگیری ایمنی از راه افتادن ناخواسته ابزار برقی جلوگیری می کند.
- ابزار برقی را در صورت عدم استفاده، از دسترس کودکان دور نگه دارید و اجازه ندهید افراد ناوارد و یا اشخاصی که این دقت را ندارند را بخوانند، با این دستگاه کار کنند. قرار گرفتن ابزار برقی در دست افراد ناوارد و بی تجربه خطرناک است.
- از ابزار برقی و متعلقات خوب مراقبت کنید. مواظب باشید که قسمت های متحرک دستگاه خوب کار کرده و گیر نکنند. همچنین دقت کنید که قطعات ابزار برقی شکسته و یا آسیب دیده نباشند. قطعات آسیب دیده را قبل از شروع به کار تعمیر کنید. علت بسیاری از سوانح کاری، عدم مراقبت کامل از ابزارهای برقی می باشد.
- ابزار برش را تیز و تمیز نگه دارید. ابزار برشی که خوب مراقبت شده و از لبه های تیز برخوردار است، کمتر در قطعه کار گیر کرده و بهتر قابل هدایت است.
- ابزار برقی، متعلقات، متهای دستگاه و غیره را مطابق دستورات این جزوه راهنما به کار گیرید و به شرایط کاری و نوع کار نیز توجه داشته باشید. استفاده از ابزار برقی برای عملیاتی به جز مقاصد در نظر گرفته شده، میتواند به بروز شرایط خطرناک منجر شود.
- دستها و سطوح عایق را همواره خشک، تمیز و عاری از روغن و گریس نگه دارید. دسته های لغزنده مانع ایمنی و کنترل در کار در شرایط غیر منتظره هستند.
- مراقبت و طرز استفاده از ابزارهای شارژی**
- باتریها را منحصراً توسط شارژرهایی که توسط سازنده توصیه شده اند، شارژ کنید. در صورتی که برای شارژ باتری، آنرا در شارژی قرار دهید که برای آن باتری ساخته نشده است، خطر آتش سوزی وجود دارد.
- در ابزارهای برقی فقط از باتریهایی استفاده کنید که برای آن نوع ابزار برقی در نظر گرفته شده اند. استفاده از باتریهای مترقیه میتواند منجر به بروز جراحت و حریق گردد.
- در صورت عدم استفاده از باتری باید آنرا از گیره های فلزی، سکه، کلید، میخ، پیچ و دیگر وسائل کوچک فلزی دور نگه دارید، زیرا این وسائل ممکن است باعث ایجاد اتصالی

- (3) باتری<sup>(A)</sup>
- (4) محل ورود هوا
- (5) محفظه موتور
- (6) نازل (افشانک)
- (7) دکمه آزاد سازی باتری
- (8) شیار اتصال متعلقات
- (9) لوله رابط
- (10) نازل سوراخ مته
- (11) لوله جمع آوری گرد و غبار
- (12) درب پیچی
- (13) شیار لوله جمع آوری گرد و غبار

خطرات منتج از در معرض مواد مضر قرار گرفتن را کاهش می دهد.



◀ در صورتیکه باتری آسیب دیده باشد و یا از آن بطور بی رویه استفاده شود، ممکن است از باتری بخارهایی بلند شود. باتری ممکن است آتش بگیرد یا منفجر شود. در این حالت هوای محیط را تازه کنید؛ اگر احساس ناراحتی کردید، به پزشک مراجعه نمایید. استنشاق این بخارها ممکن است به مجاری تنفسی شما آسیب برساند.

◀ باتری را باز نکنید. خطر اتصال کوتاه وجود دارد.  
 ◀ بوسیله ی اشیاء تیز مانند میخ یا پیچگوشتی یا تأثیر نیروی خارجی ممکن است باتری آسیب ببیند. ممکن است اتصالی داخلی رخ دهد و باتری آتش گیرد، دود کند، منفجر شود یا بیش از حد داغ گردد.

◀ تنها از باتری برای محصولات تولیدی شرکت استفاده کنید. فقط در اینصورت باتری در برابر خطر اعمال فشار بیش از حد محافظت میشود.

باتری را در برابر حرارت، از جمله در برابر تابش مداوم خورشید و همچنین در برابر آتش، آلودگی، آب و رطوبت محفوظ بدارید. خطر اتصالی و انفجار وجود دارد.



## توضیحات محصول و کارکرد

همه دستورات ایمنی و راهنماییها را بخوانید. اشتباهات ناشی از عدم رعایت این دستورات ایمنی ممکن است باعث برقگرفتگی، سوختگی و یا سایر جراحات های شدید شود.



به تصویرهای واقع در بخشهای اول دفترچه راهنما توجه کنید.

## موارد استفاده از دستگاه

ابزار برقی جهت دمیدن و جمع کردن مواد غیر مضر برای سلامتی (مانند تراشه چوب، براده فلز، گرد و غبار سنگ و غیره) که هنگام اره کاری، سوراخکاری و ساییدن ایجاد می شوند، در نظر گرفته شده است. توسط متعلقات مناسب می توان در جای سوراخ مته ها نیز دمید.

ابزار برقی برای دمیدن به مواد قابل انفجار یا اشتعال مناسب نیست.

## اجزاء دستگاه

شماره های اجزاء دستگاه که در تصویر مشاهده میشود، مربوط به شرح ابزار برقی می باشد که تصویر آن در این دفترچه آمده است.

- (1) کلید روشن/خاموش چند حالت
- (2) دستگیره

(A) کلیه متعلقاتی که در تصویر و یا در متن آمده است، بطور معمول همراه دستگاه ارائه نمی شود. لطفا لیست کامل متعلقات را از فهرست برنامه متعلقات اقتباس نمایید.

## مشخصات فنی

GBL 18V-120		دمنده شارژی
3601JF5 1..		شماره فنی
17000	<sup>1</sup> /min	سرعت در حالت آزاد
75	m/s	سرعت جریان هوا، حداکثر
2,0	/min <sup>3</sup> m	حجم هوا
<sup>(A)</sup> 1,4-2,4	kg	وزن مطابق استاندارد EPTA-Procedure 01:2014
0...+45	°C	دمای توصیه شده محیط هنگام شارژ
-20...+50	°C	دمای مجاز محیط هنگام کار <sup>(B)</sup> و هنگام انبار کردن

اقدامات ایمنی، مانع روشن شدن ناخواسته و ناگهانی ابزار برقی می شود.

موارد ممکن ترکیب اجزاء متعلقات دمنده را در تصویر مشاهده کنید.

- درب پیچی (12) متعلقات را محکم در شیار (8) بدنه موتور یا در شیارهای (8) لوله رابط (9) قرار دهید.

- درب پیچی را به مقدار یک چهارم چرخش در جهت عقربه های ساعت بچرخانید.

### نصب لوله جمع کننده گرد و غبار

هنگام دمیدن به سوراخهای مته، براده یا تراشه ها به طرف کاربر پراکنده می شوند. از این رو توصیه می شود که روی نازل سوراخ مته (10) لوله جمع کننده گرد و غبار (11) را نصب کنید.

- شیارهای (13) لوله جمع کننده گرد و غبار (11) را روی درب پیچی (12) نازل سوراخ مته (10) قرار دهید.

- لوله جمع کننده گرد و غبار (11) را به مقدار یک چهارم در جهت عقربه های ساعت بچرخانید.

## طرز کار با دستگاه

◀ **قبل از سرویس یا تمیز کردن ابزار برقی، انجام تنظیمات، تعویض متعلقات یا کنار گذاشتن ابزار برقی، باتری را جدا کنید.** رعایت این اقدامات ایمنی، مانع روشن شدن ناخواسته و ناگهانی ابزار برقی می شود.

### راه اندازی و نحوه کاربرد دستگاه

#### روشن/خاموش کردن

- برای روشن کردن ابزار برقی کلید روشن/خاموش (1) را به حالت I یا II فشار دهید.

حالت I: دمیدن به مواد سبک.

حالت II: دمیدن به مواد سنگین.

- برای خاموش کردن دکمه روشن/خاموش (1) را تا رسیدن به حالت "0" فشار دهید.

#### نکات عملی

هرگز به آلودگی ها در جهت افراد نزدیک به خود ندمید.

ابزار برقی را هنگام کار همیشه در حدود 3 سانتیمتر بالای زمین نگهدارید.

هرگز از دستگاه دمنده برای دمیدن به مواد داغ قابل اشتعال یا منفجره استفاده نکنید.

دقت کنید که محل ورودی هوا (4) هنگام دمیدن هیچگونه آلودگی جذب نکند.

## مراقبت و سرویس

### مراقبت، تعمیر و تمیز کردن دستگاه

◀ **قبل از انجام هر گونه کاری با ابزار برقی (از جمله سرویس، تعویض ابزار و غیره) و همچنین به هنگام حمل و نقل و یا در انبار نگهداری کردن، باتری را از داخل ابزار برقی خارج کنید.** در صورت تماس اتفاقی با کلید قطع و وصل، خطر آسیب دیدگی وجود دارد.

دمنده شارژی		GBL 18V-120
باتریهای مورد توصیه	GBA 18V... ProCORE 18V...	
شارژرهای مورد توصیه	GAL 18... GAX 18... GAL 36...	

#### مدت زمان کار در هر شارژ باتری

- درجه دمنده I	min/Ah	9
- درجه دمنده II	min/Ah	5

(A) بسته به نوع باتری کاربردی

(B) توان محدود برای دمای °C < 0  
اطلاعات فنی طبق باتری ارسالی محاسبه شده اند.

## نصب

### شارژ کردن باتری

◀ **تنها شارژرهای ذکر شده در مشخصات فنی را بکار برید.** تنها این دستگاه های شارژ با باتری های لیتیوم-یونی (Li-Ion) ابزار برقی شما منطبق میباشند.

**نکته:** باتری با شارژ نسبی ارسال می شود. برای

دست یافتن به توان کامل باتری، قبل از بکار گیری آن برای اولین بار باید شارژ باتری بطور کامل در دستگاه شارژ تکمیل شود.

باتریهای لیتیوم-یونی را میتوان در هر زمانی شارژ نمود، بدون اینکه از طول عمر آن کاسته شود. قطع کردن فرایند شارژ آسیبی به باتری نمی رساند.

باتری لیتیوم-یونی دارای "Electronic Cell (ECP) Protection" بوده و در برابر خالی شدن حفاظت میشود. در صورت تخلیه شارژ باتری، ابزار برقی توسط یک جریان محافظ بطور اتوماتیک خاموش میشود.

◀ **پس از خاموش شدن اتوماتیک از فشار دادن مجدد کلید روشن/خاموش خودداری کنید.** ممکن است باتری آسیب ببیند.

### برداشتن باتری (رجوع کنید به تصاویر A2-A1)

باتری (3) دارای دو مرحله قفل میباشد که مانع از بیرون افتادن باتری در اثر فشار ناخواسته روی دکمه آزادسازی باتری (7) میشوند. تا زمانی که باتری در داخل ابزار برقی قرار داشته باشد، توسط یک فنر در موقعیت مناسب نگهداری میشود.

- برای خارج کردن باتریها (3) دکمه آزادکننده قفل (7) را فشار داده و باتری را از ابزار برقی به سمت بالا بکشید. هنگام انجام این کار از اعمال

**فشار خودداری کنید.**

به نکات مربوط به نحوه از رده خارج کردن باتری توجه کنید.

### نصب متعلقات دمنده (رجوع کنید به تصاویر B3-B1)

◀ **قبل از سرویس یا تمیز کردن ابزار برقی، انجام تنظیمات، تعویض متعلقات یا کنار گذاشتن ابزار برقی، باتری را جدا کنید.** رعایت این



◀ ابزار الکتریکی و شیارهای تهویه آنرا تمیز نگاه دارید، تا ایمنی شما در کار تضمین گردد.

### خدمات و مشاوره با مشتریان

خدمات مشتری، به سؤالات شما درباره تعمیرات، سرویس و همچنین قطعات یدکی پاسخ خواهد داد. نقشه‌های سه بعدی و اطلاعات مربوط به قطعات یدکی را در تارنمای زیر میبایید:

[www.bosch-pt.com](http://www.bosch-pt.com)

گروه مشاوره به مشتریان Bosch با کمال میل به سؤالات شما درباره محصولات و متعلقات پاسخ می دهند.

برای هرگونه سؤال و یا سفارش قطعات یدکی، حتماً شماره فنی 10 رقمی کالا را مطابق برچسب روی ابزار برقی اطلاع دهید.

### ایران

روبرت بوش ایران - شرکت بوش تجارت پارس  
میدان ونک، خیابان شهید خدای، خیابان آفتاب  
ساختمان مادیران، شماره 3، طبقه سوم.  
تهران 1994834571  
تلفن: 9821+ 42039000

### حمل دستگاه

باتریهای لیتیوم-یونی تابع مقررات حمل کالاهای پر خطر می باشند. کاربر می تواند باتریها را بدون استفاده از روکش در خیابان حمل کند.

در صورت ارسال توسط شخص ثالث (مانند: حمل و نقل هوایی یا زمینی) باید تمهیدات مربوط به بسته بندی و علامتگذاری مورد توجه قرار گیرد. در اینصورت باید حتما جهت آماده سازی قطعه ارسالی به کارشناس حمل کالاهای پر خطر مراجعه کرد. باتریها را فقط در صورتی ارسال کنید که بدنه آنها آسیب ندیده باشد. اتصالات (کنتاکتهای) باز را بپوشانید و باتری را طوری بسته بندی کنید که در بسته بندی تکان نخورد. در این باره لطفاً به مقررات و آیین نامه های ملی توجه کنید.

### از رده خارج کردن دستگاه

ابزارهای برقی، باتری ها، متعلقات و بسته بندی ها، باید طبق مقررات حفظ محیط زیست از رده خارج و بازیافت شوند. ابزار برقی و باتری ها/ باتری های قابل شارژ را داخل زباله دان خانگی نیندازید!



### باتریهای شارژی/قلمی:

#### لیتیوم-یونی:

لطفاً به تذکرات بخش (رجوع کنید به „حمل دستگاه“، صفحه 54) توجه کنید.

