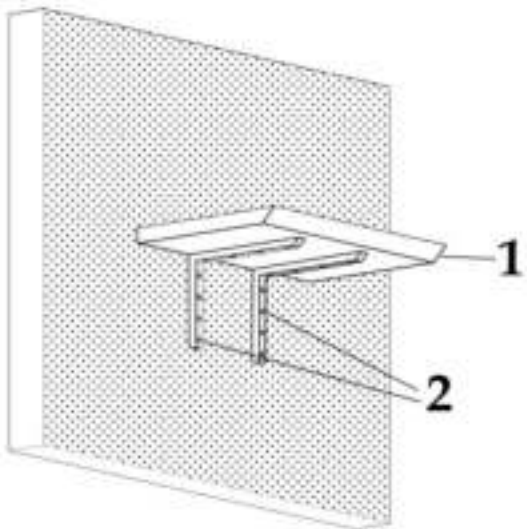
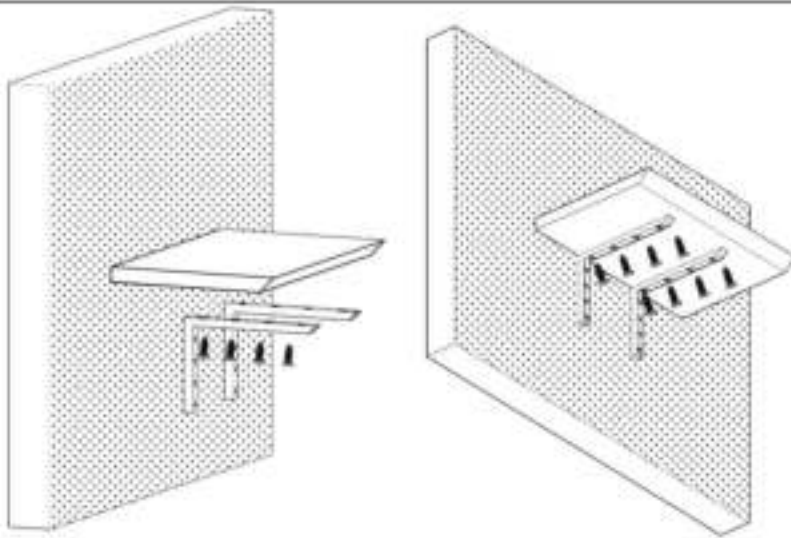


SETUP SCHEME

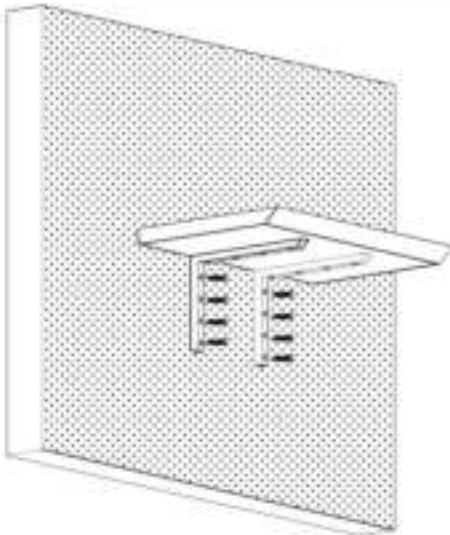


**1-TABLE PLATE
2-TABLE LEGS**

**A-8 SMALL SCREWS, 8 LARGE SCREWS
AND 8 ANCHORS**



**FIX THE LEGS COMING
TOGETHER WITH THE PRO-
DUCT TO THE TABLE PLATE
FROM THE MARKED POINTS**



**MOUNT THE TABLE PLATE WITH
FIXED LEGS TO BE FLAT ON THE
WALL WITH THE HELP OF ANCHORS.**