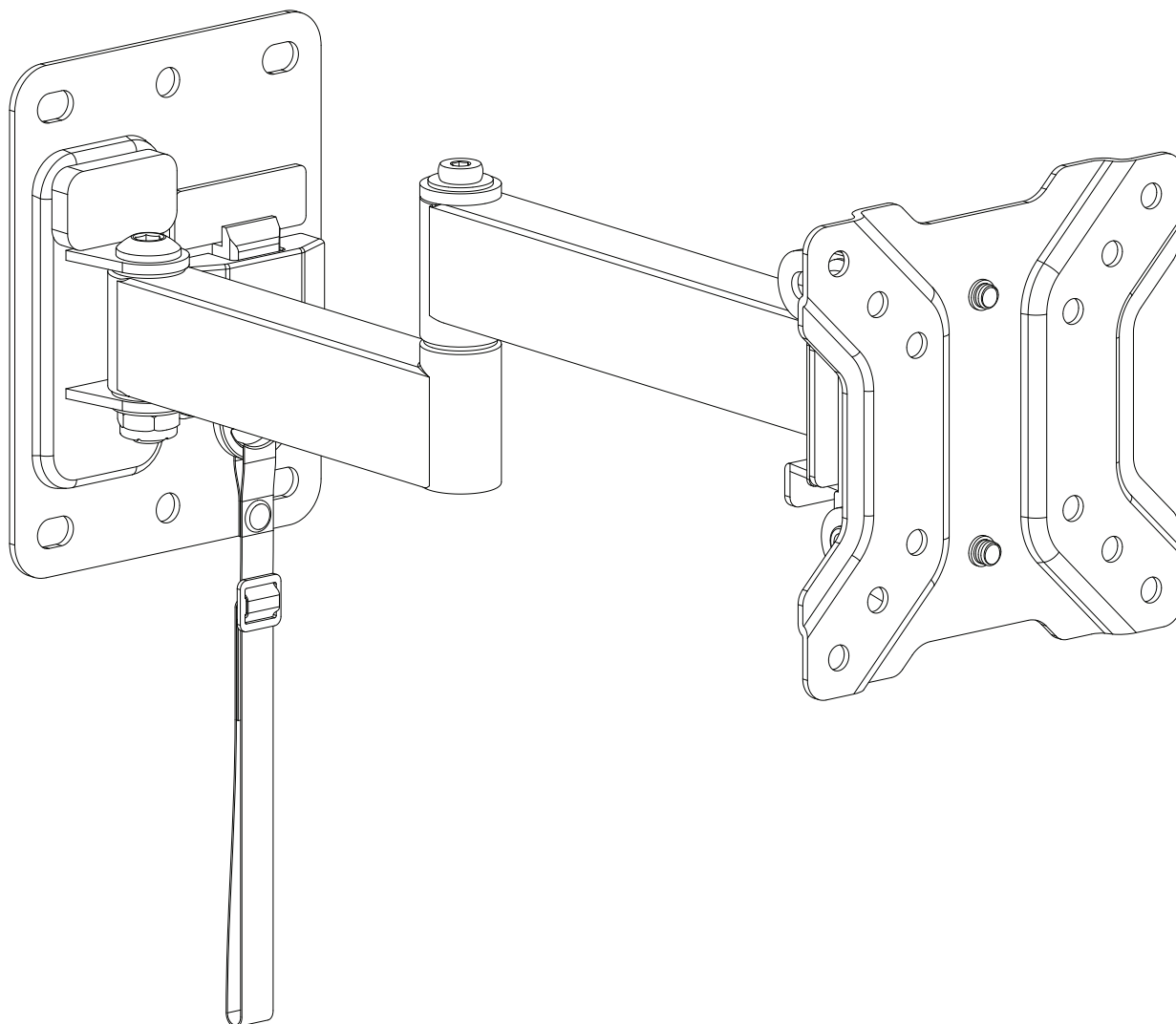
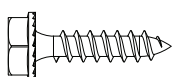


EM1000 INSTALLATION INSTRUCTION

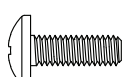


(A)
Screw M6x15mm



x4

(B)
Bolt M4x7mm



x4

(C)
Washer M4



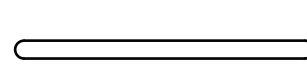
x4

(D)
Tool

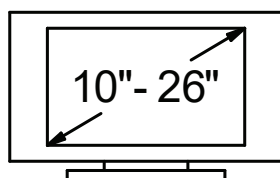


x1

(E)
Cable strap



x3



VESA standards:
75x75mm
100x100mm

Safety Caution

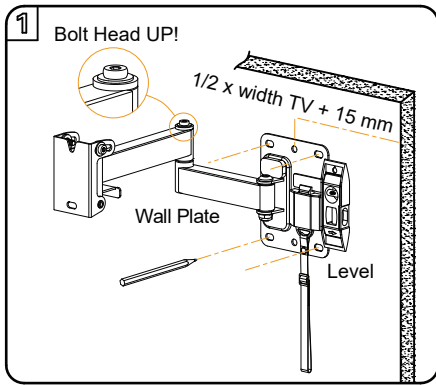
Please read this instruction carefully before installation.

If you do not understand these instructions or have doubts about the safety of the installation, assembly or use of this product, please feel free to contact Customer Service.

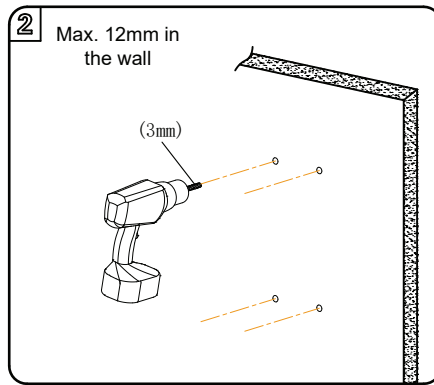
- Make sure the wooden board where you want to place the TV-Mount has a thickness of at least 15 mm.
- Make sure to stow the TV and fully lock the mount in place before your vehicle is moving.

STEP 1 Attach TV-Mount to the wall

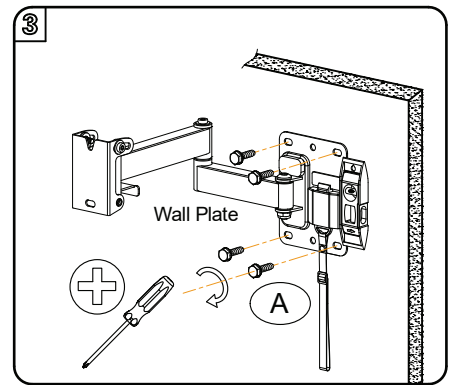
TIP: Measure the width of your TV. Take $1/2 \times$ the width of your TV + 15mm to locate the center of the TV-mount from the edge of the wall.



Measure



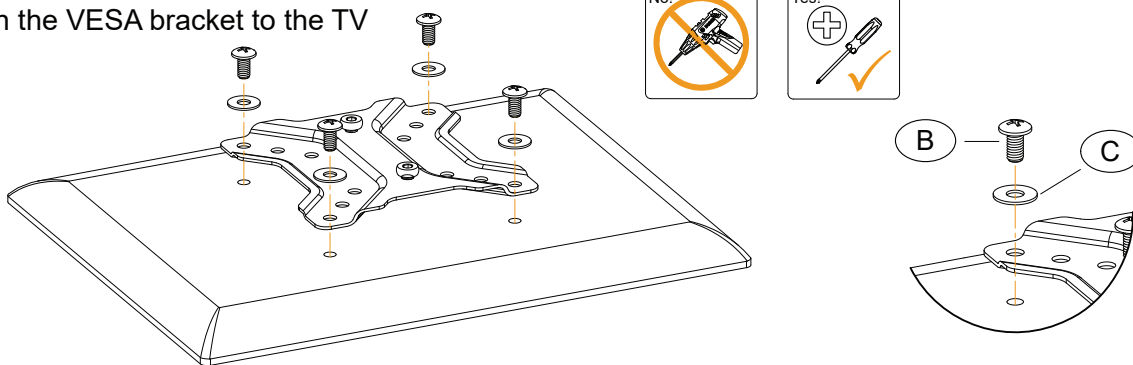
Drill



Attach

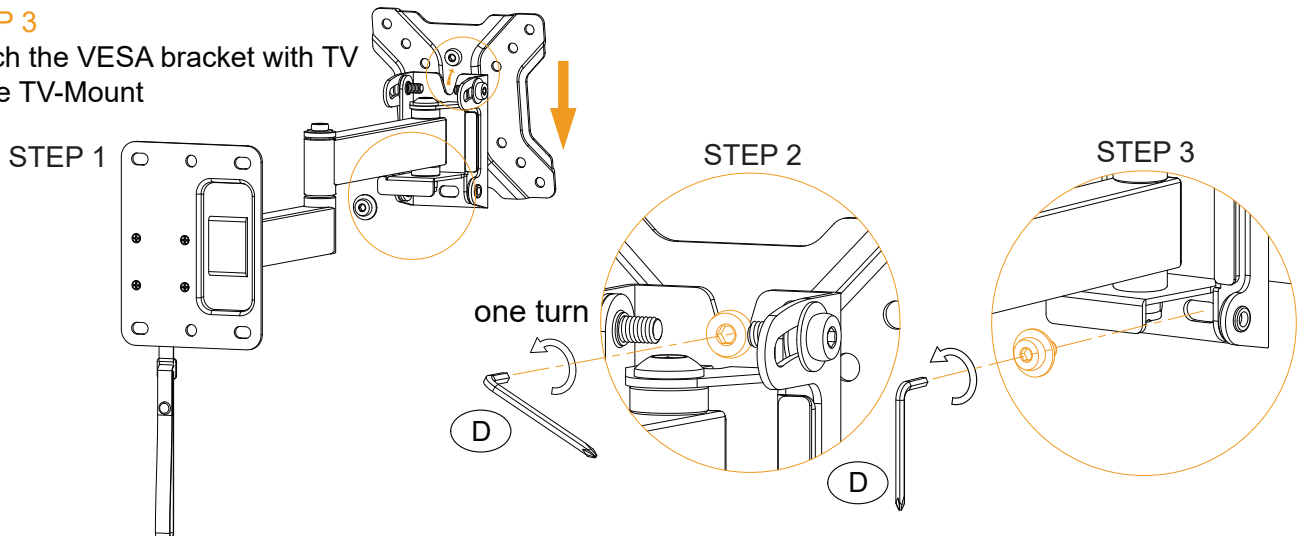
STEP 2

Attach the VESA bracket to the TV



STEP 3

Attach the VESA bracket with TV to the TV-Mount



LOCK
UNLOCK

