

the Sage Smart Tea Infuser™

BTM600/STM600



EN QUICK GUIDE

FR GUIDE RAPIDE

IT GUIDA RAPIDA

PT MANUAL RÁPIDO

DE KURZANLEITUNG

NL SNELSTARTGIDS

ES GUÍA RÁPIDA

Sage®



Contents

2	Important Safeguards
6	Components
8	Functions
10	Care & Cleaning
12	Troubleshooting
13	Guarantee

SAGE® RECOMMENDS SAFETY FIRST

At Sage® we are very safety conscious. We design and manufacture consumer products with the safety of you, our valued customer, foremost in mind. In addition we ask that you exercise a degree of care when using any electrical appliance and adhere to the following precautions.

IMPORTANT SAFEGUARDS

READ ALL INSTRUCTIONS BEFORE USE AND SAVE FOR FUTURE REFERENCE

- A downloadable version of this document is also available at sageappliances.com
- Before using for the first time please ensure that your electricity supply is the same as shown on the rating label on the underside of the appliance. If you have any concerns please contact your local electricity company.
- Remove and safely discard any packaging materials before first use.
- To eliminate a choking hazard for young children, safely discard the protective cover fitted to the power plug.
- This appliance has been designed specifically for the purpose of heating and boiling quality drinking water and tea only. Under no circumstances should this product be used to heat or boil any other liquids or foodstuffs.
- Position the appliance on a stable, heat resistant, level, dry surface away from the edge and do not operate on or near a heat

- source such as a hot plate, oven or gas hob.
- Do not place the appliance on or near a hot gas burner, electric element or where it could touch a heated oven.
 - Position the appliance at least 20cm from walls or heat/steam sensitive materials and provide adequate space above and on all sides for air circulation.
 - Do not operate the kettle on sink drain board.
 - Always ensure the appliance is properly assembled before connecting to a power outlet and operating. Follow the instructions provided in this book.
 - The installation of a residual current safety switch is recommended to provide additional safety when using all electrical appliances. Safety switches with a rated operating current not more than 30mA are recommended. Consult an electrician for professional advice.
 - The glass jug must be used only with the power base supplied. Do not use on a range top.
 - The appliance is not intended to be operated by means of an external timer or separate remote control system.
 - Do not touch hot surfaces. Use the handle for lifting and carrying the glass jug.
 - Attach the jug lid securely to the glass jug before operation.
 - Do not place anything on top of the lid.
 - Do not open the jug lid during operation as scalding may occur.
 - Extreme caution must be used when moving the glass jug containing hot liquid.
 - Use caution when pouring water from the glass jug as boiling water and steam will scald. Do not pour the water too quickly.
 - To avoid scalding, never fill the glass jug past the 'MAX' line marking.
 - Do not operate the appliance without water. Always fill the glass jug to at least the 'MIN' marking. Should it be operated without water, the boil-dry protection will shut the power off automatically. Allow the appliance to cool before refilling.

**WARNING**

- Do not remove the glass jug from the power base during heating or when the basket is in operation. Ensure the appliance has completed the water heating or tea brewing cycle before removing the glass jug from the power base.

- The use of accessory attachments not recommended by Sage® may result in fire, electric shock or injury to persons.
- Always ensure the appliance is turned OFF, unplugged at the power outlet and has been allowed to cool before cleaning, attempting to move or storing.
- When the appliance is not in use or when left unattended, disconnect the power cord from the wall outlet.
- Allow the appliance to cool down in between brewing cycles.
- Keep the glass jug clean. Follow the cleaning instruction provided in this book.
- Do not use harsh abrasives or caustic cleaners when cleaning this appliance.
- Children should not play with the appliance.
- The glass jug has been specially treated to make it stronger, more durable and safer than ordinary glass, however it is not unbreakable. If dropped or struck extremely hard, it may break or weaken, and could at a later time shatter into many small pieces without apparent cause.
- Any maintenance other than cleaning should be performed by an authorised Sage® service centre.
- The appliance can be used by children aged 8 or older and persons with reduced physical, sensory or mental capabilities or a lack of experience and knowledge, only if they have been given supervision or instruction concerning use of the appliance in a safe way and understand the hazards involved.
- Children should not play with the appliance.
- Always turn the appliance to the OFF position, switch off at the power outlet and unplug at the power outlet when the appliance is not in use.

 **WARNING**

- Do not wash jug exterior under running water.



IMPORTANT SAFEGUARDS FOR ALL ELECTRICAL APPLIANCES

- Fully unwind the power cord before operating.
- This appliance is for household use only. Do not use the appliance for anything other than its intended use. Do not use in moving vehicles or boats. Do not use outdoors. Misuse may cause injury.
- Do not let the power cord hang over the edge of a bench or table, touch hot surfaces or become knotted.
- Close supervision is necessary when any appliance is used by or near children.
- Cleaning of the appliance should not be carried out by children unless they are 8 years or older and supervised.
- The appliance and its cord should be kept out of reach of children aged 8 years and younger.

- Do not use the appliance if the power cord, power plug, or appliance becomes damaged in any way. If damaged and maintenance other than cleaning is required please contact Sage Customer Service or go to sageappliances.com



WARNING

- Do not operate the appliance on an inclined surface.
- Do not move the appliance while it is switched on.



The symbol shown indicates that this appliance should not be disposed of in normal household waste. It should be taken to a local authority waste collection centre designated for this purpose or to a dealer providing this service. For more information, please contact your local council office.

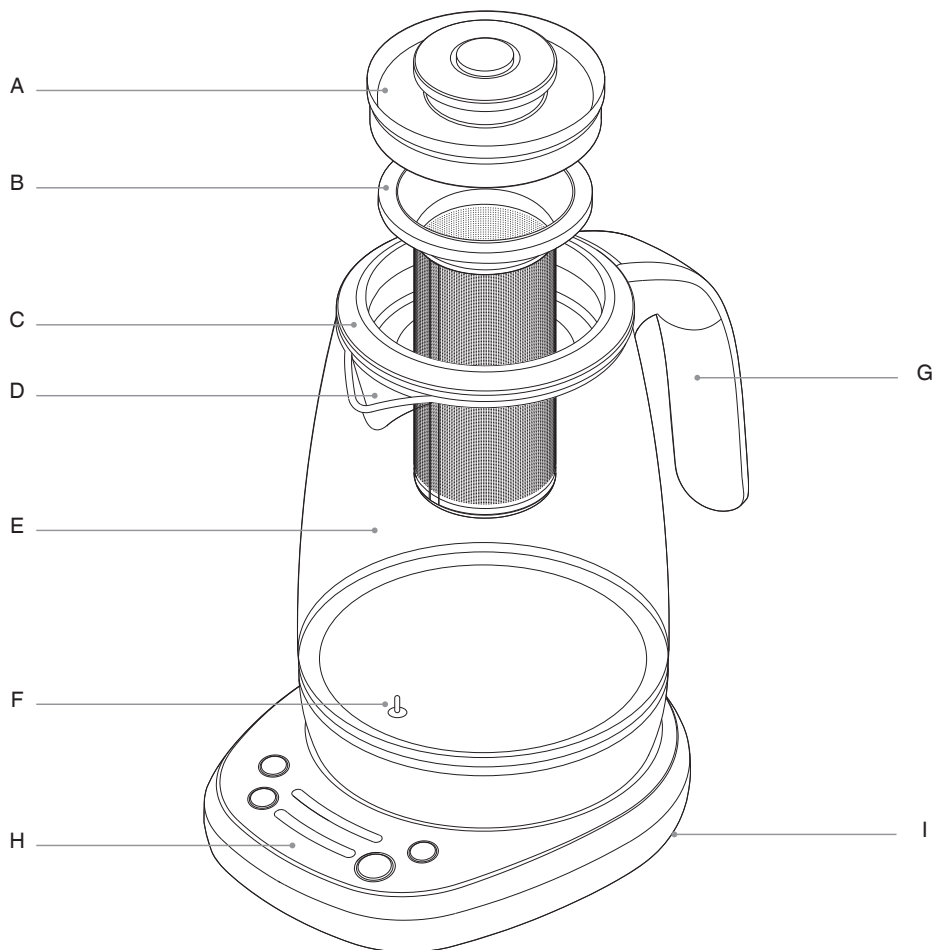


To protect against electric shock, do not immerse the glass jug base, power base, power cord or power plug in water or allow moisture to come in contact with these parts. Avoid spilling water onto the power base's connector. Do not immerse the glass jug or the power base for cleaning.

SAVE THESE INSTRUCTIONS



Components



A. Inner Lid

B. Stainless Steel Tea Basket

C. Outer Lid

D. Spout

E. Glass Body

F. Immersed Temperature Sensor

G. Handle

H. Power Base

I. Cord Storage

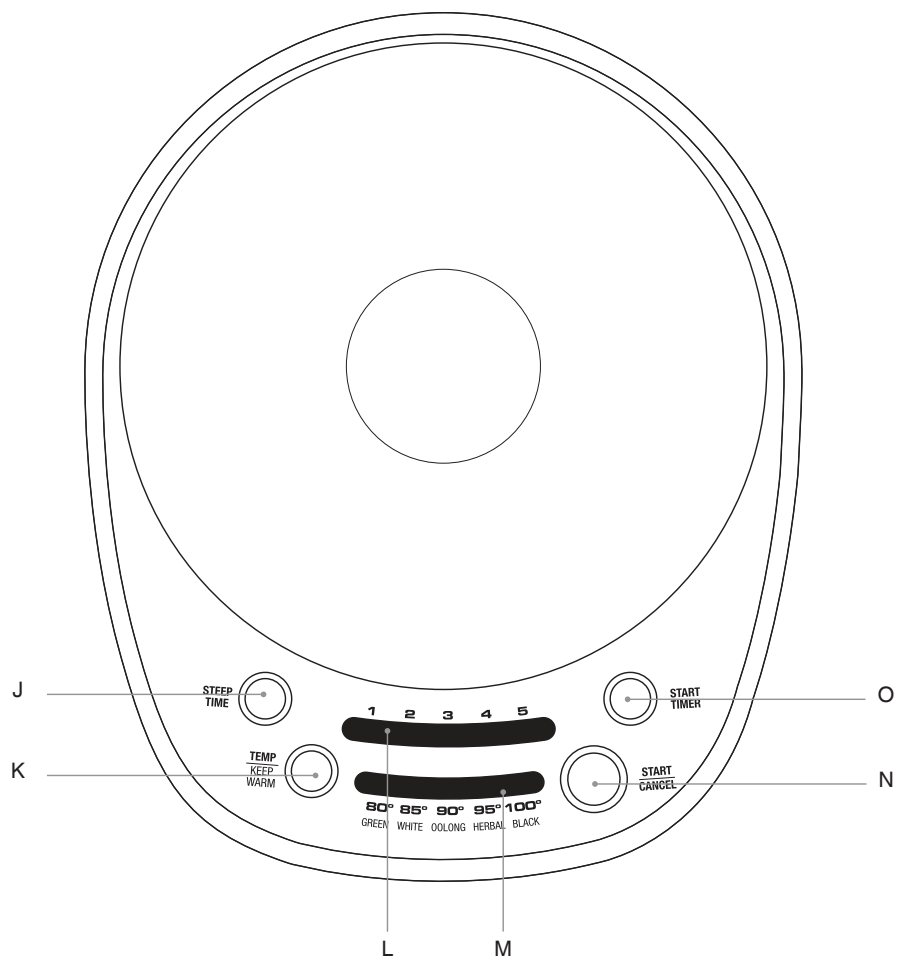
BPA Free Materials*

* Sage makes its BPA free claim for this product based on independent laboratory testing performed for all the food contact plastic materials of the product per EU Commission regulation No 10/2011.



Rating Information

220-240V ~ 50-60Hz 1700 - 2000W



- J. STEEP TIME button
- K. TEMP/KEEP WARM Button
- L. Steep time indicator

- M. Temperature / tea type indicator
- N. START/CANCEL button
- O. START TIMER button

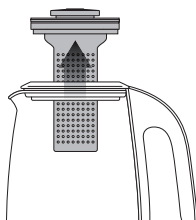


Functions

BEFORE FIRST USE

In order to remove any dust or protective residues from the manufacturing process, it is recommended to run a boiling cycle then discard the water.

1. Remove and safely discard any packing material, promotional labels and tape from the Sage Smart Tea Infuser™.
2. Lift the inner lid along with attached tea basket. Then remove the outer lid.
3. Wash the outer lid, tea basket, and inner lid in warm soapy water with a soft sponge, rinse and dry thoroughly.



WARNING

Never immerse the base of the glass jug, the power base, power cord or power plug in water or allow moisture to come in contact with these parts.

4. Place the power base on a flat, dry surface.
5. Unwind the power cord completely and insert the power plug into a grounded wall outlet.



WARNING

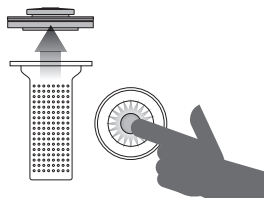
Never fill the glass jug with chilled water. Allow the Sage Smart Tea Infuser™ to cool before refilling.



WARNING

Filling past the MAX line may result in serious burns or injuries as a result of overflowing hot or boiling water. Filling below the MIN line will result in the Sage Smart Tea Infuser™ switching off before the water has boiled or reached the selected temperature.

6. Detach the tea basket from the inner lid by pressing the button.



7. Without the tea basket in place, fill the glass jug to the water MAX mark and place on the power base. Securely fit the lid onto the glass jug. The Sage Smart Tea Infuser™ will beep and the buttons will illuminate.
8. Select '100°C' in the temperature indicator by pressing TEMP/KEEP WARM button and turn off the timer by pressing STEEP TIME button several times. Then press START/CANCEL button to start.
9. Once the water reaches 100°C, it will beep 3 times.
10. Discard the water. The Sage Smart Tea Infuser™ is now ready to use.

BREWING TEA

1. Fill the glass jug with desired amount of water. Ensure you do not fill past the MAX mark. Place the outer lid, tea basket, and inner lid.
2. Select the tea type by pressing the TEMP/ KEEP WARM button. The tea type determines brew temperature and steep time, based on medium strength. Press STEEP TIME to engage to steeping function. The Sage Smart Tea Infuser™ has 5 preset tea types recommended for optimal brewing of Green, White, Oolong, Herbal, or Black tea.

TEA TYPE		Green	White	Oolong	Herbal	Black
Preset Brew Temp		80°C	85°C	90°C	95°C	100°C
Steep	Mild	2	2	2	3	1
Time* (mins)	Medium*	3	3	3	4	2
	Strong	4	4	4	5	3

* Preset steep time is based on medium strength, but you can adjust depending on your taste.



NOTE

This product is not calibrated for commercial or scientific use. Temperatures may vary +/- 3°C, which is within range for optimal brewing for each tea variety.

- Start heating by pressing START/CANCEL button. The Sage Smart Tea Infuser™ will start heating.
- Once the selected brew temperature is reached it will beep 3 times. Open the tea basket lid by pressing the detachment button and use a tea spoon (approximately 5g) to fill the basket with tea leaves. As a general guide, use 1 teaspoon of tea leaves per cup / 250ml of water, however this will depend on the instructions on tea packaging and your personal preference. Re-place the tea basket lid.

Water to tea scoop ratio

500mL	2 teaspoons
750mL	3 teaspoons
1000mL	4 teaspoons
1250mL	5 teaspoons
1500mL	6 teaspoons
1700mL	7 teaspoons

- Start steeping by pressing the START TIMER button. The timer is set based on medium strength by default, but you can change this by pressing STEEP TIME button.



NOTE

Temperature and time can be changed during heating or steeping cycle.

- Once brewing cycle is complete, the Sage Smart Tea Infuser™ will beep 3 times. Lift the inner lid along with tea basket, and detach the tea basket. Then close the lid. Your tea is ready now. The Sage Smart Tea Infuser™ will keep the tea warm until you are ready to drink.

KEEP WARM

If selected prior to heating, Keep Warm will last for 30 minutes after tea is brewed. When the glass jug is removed from the power base, the Keep Warm function will cancel.

To reactivate for another 30 minutes place the glass jug with the remaining tea back on the power base and press KEEP WARM, the light will illuminate when this is selected.

BOILING WATER

Remove the tea basket and fill the glass jug with water. Close the jug with the lid. Select the desired temperature by pressing TEMP/KEEP WARM button, and then turn off time indicator by pressing STEEP TIME button. Press START/CANCEL button to start. When finished, it will beep 3 times.

CHANGING BEEP VOLUME

Press and hold STEEP TIME button and TEMP/KEEP WARM button together for 2 seconds to enter volume adjustment mode. Press STEEP TIME button to choose among OFF (mute), 3 (default), and 5 (louder). To save and exit, press the two buttons together or wait for 7 seconds.



Care & Cleaning

CLEANING THE GLASS JUG

- After each use, empty the glass jug. Do not allow brewed tea to stand overnight. Allow the glass jug to fully cool before cleaning.
- Wipe the interior of the glass jug with a soft damp sponge or rinse with warm water.
- Wipe the exterior of the glass jug with a soft damp cloth to clean.



WARNING

Never immerse or wash exterior of glass jug under running water.



NOTE

Do not use chemicals, steel wool, or abrasive cleaners to clean the inside or outside of the glass jug as these may scratch the surface.

- To remove the build-up of tannin, the astringent chemical constituent of tea, fill the glass jug with water up to the MAX mark and bring water to boil and allow water to cool for one minute. Add contents of Tea Maker Cleaner (available at Sage web page) and allow to stand for 5 minutes. Empty Sage Smart Tea Infuser™, refill with fresh water and boil. Repeat this step again. Empty the Sage Smart Tea Infuser™ and rinse thoroughly.
- Dry thoroughly with a soft, lint-free cloth before using.



NOTE

Through regular use over time, scale build-up can affect the performance and the life of the Sage Smart Tea Infuser™. Lime and phosphate are common forms of scale that can damage your Sage Smart Tea Infuser™. Lime scale, a harmless mineral, comes in the appearance of white-coloured or rusty looking build up on the inner walls and inner base of the glass jug. Phosphate scale can't be seen, however, it can cause the water to appear cloudy when heated. To prevent scale from damaging your Sage Smart Tea Infuser™, ensure to descale the glass jug regularly. Use Descaler (available at Sage web page) and follow the instructions.



WARNING

Causes skin irritation. Wash hands thoroughly after handling. Wear protective gloves/protective clothing/eye protection/face protection.



NOTE

Allow all parts of the Sage Smart Tea Infuser™ to cool completely before disassembling and cleaning.



WARNING

Never immerse the base of the glass jug, power base, power cord or power plug in water or allow moisture to come in contact with these parts.



CLEANING THE OUTER LID

- Wash the outer lid in warm soapy water with a soft sponge, rinse and dry thoroughly.
- Alternatively, the outer lid is dishwasher safe.
- Let all surfaces dry thoroughly prior to using.

CLEANING THE BASKET

- Wash the basket lid and tea basket in warm, soapy water with a soft sponge, then rinse and dry thoroughly.
- A non-abrasive liquid cleanser or mild spray solution may be used to avoid build-up of stains on the basket. Apply the cleaner to the sponge, not directly onto the basket surface, before cleaning.
- Let all surfaces dry thoroughly before using.

CLEANING THE POWER BASE

- Wipe the power base with a soft-damp sponge.
- Let all surfaces dry thoroughly prior to inserting the power plug into the wall outlet.

STORAGE

- Ensure the Sage Smart Tea Infuser™ is switched off, cleaned and dried before storing.
- Ensure that the tea basket is correctly assembled.
- Ensure that the jug lid is securely in place on the glass jug.
- Wrap the power cord around the power cord storage under the power base.
- Store the Sage Smart Tea Infuser™ upright on the power base. Do not store anything on top.



Troubleshooting

PROBLEM	WHAT TO DO
The Sage Smart Tea Infuser™ does not switch on	<ul style="list-style-type: none">• Check the power plug is securely inserted into the outlet.• Insert the power plug into an independent outlet.• Insert the power plug into a different outlet.• Reset the circuit breaker if necessary.• For additional safety the Sage Smart Tea Infuser™ is fitted with a thermal cut out. In the event of severe overheating, the Sage Smart Tea Infuser™ will automatically shut down to prevent further damage.
The Sage Smart Tea Infuser™ does not work	<ul style="list-style-type: none">• Check the glass jug is securely positioned on the power base.
I cannot select a certain function	<ul style="list-style-type: none">• Certain features cannot be selected or changed during the heating or brewing cycle. LED lights surrounding the buttons will indicate the availability of the functions.
After boiling water, bubbles appear around the temperature sensor	<ul style="list-style-type: none">• This is normal for the functionality of the Sage Smart Tea Infuser™.
My tea tastes too weak or too strong	<ul style="list-style-type: none">• Perform a cleaning cycle as per instruction in the booklet.• Follow the cleaning instructions in this booklet.



Guarantee

2 YEAR LIMITED GUARANTEE

Sage Appliances guarantees this product for domestic use in specified territories for 2 years from the date of purchase against defects caused by faulty workmanship and materials. During this guarantee period Sage Appliances will repair, replace, or refund any defective product (at the sole discretion of Sage Appliances).

All legal warranty rights under applicable national legislation will be respected and will not be impaired by our guarantee. For full terms and conditions on the guarantee, as well as instructions on how to make a claim, please visit www.sageappliances.com.



Note

the Sage Smart Tea Infuser™



DE KURZANLEITUNG

Sage®



Inhalt

- 2 Hinweise zur Sicherheit
- 7 Komponenten
- 9 Funktionen
- 11 Pflege und Reinigung
- 13 Störungsbehebung
- 14 Garantie

BEI SAGE® STEHT SICHERHEIT AN ERSTER STELLE

Wir bei Sage® sind sehr sicherheitsbewusst. Beim Design und bei der Herstellung unserer Produkte denken wir zuallererst an die Sicherheit unserer Kunden. Wir bitten Sie, bei der Verwendung aller Elektrogeräte angemessene Sorgfalt walten zu lassen und sich an die folgenden Vorsichtsmaßnahmen zu halten.

HINWEISE ZUR SICHERHEIT

BITTE ALLE ANWEISUNGEN VOR GEBRAUCH LESEN UND ZUM SPÄTEREN NACHSCHLAGEN AUFBEWAHREN

- Dieses Dokument ist auch zum Download verfügbar unter sageappliances.com
- Bitte vergewissern Sie sich vor dem ersten Gebrauch, dass die Netzspannung der Angabe auf der Unterseite des Geräts entspricht. Wenden Sie sich im Zweifelsfall an Ihren örtlichen Stromversorger.
- Entfernen und entsorgen Sie vor dem ersten Gebrauch vorsichtig jegliches Verpackungsmaterial.
- Entsorgen Sie die Schutzhülle des Netzsteckers, da diese eine Erstickungsgefahr für Kleinkinder darstellt.
- Dieses Gerät wurde speziell zum Kochen von Trinkwasser und für die Zubereitung von Tee konzipiert. Unter keinen Umständen darf es zum Erwärmen oder Kochen anderer Flüssigkeiten oder Lebensmittel verwendet werden.
- Stellen Sie das Gerät auf eine stabilen, hitzebeständige, ebene, und trockene Fläche in einem sicheren Abstand zur Kante und betreiben Sie es nicht in der Nähe einer Hitzequelle, wie beispielsweise Kochplatten, Backöfen oder Gaskochfelder.
- Positionieren Sie das Gerät nicht in der Nähe eines Gasbrenners, eines elektrischen Elements oder in direktem Kontakt mit einem beheizten Ofen.

- Stellen Sie das Gerät in mindestens 20 cm Entfernung von Wänden oder hitzeempfindlichen bzw. dampfempfindlichen Materialien auf und lassen Sie oberhalb und an den Seiten des Geräts ausreichend Raum für die Luftzirkulation.
- Betreiben Sie den Wasserkocher nicht auf der Abtropffläche des Spülbeckens.
- Vergewissern Sie sich, dass das Gerät ordnungsgemäß zusammengesetzt wurde, bevor Sie es an das Stromnetz anschließen und in Betrieb nehmen. Halten Sie sich an die Anweisungen in dieser Broschüre.
- Als zusätzliche Schutzmaßnahme bei der Verwendung von Elektrogeräten wird die Installation eines Schutz- oder Sicherheitsschalters empfohlen. Ideal sind Sicherheitsschalter mit einer Nennleistung von maximal 30 mA. Wenden Sie sich an einen Elektriker für fachgerechte Beratung.
- Die Glaskanne darf nur mit dem mitgelieferten Stromsockel betrieben werden. Stellen Sie die Kanne nicht auf ein Kochfeld.
- Dieses Gerät ist nicht dafür gedacht, über einen externen Zeitschalter oder eine separate Fernbedienung bedient zu werden.
- Fassen Sie das Gerät nicht an der heißen Oberfläche an. Verwenden Sie den Henkel zum Anheben und Tragen der Glaskanne.
- Vor der Inbetriebnahme muss der Deckel sicher auf die Glaskanne gesetzt werden.
- Stellen Sie keine Gegenstände auf den Deckel.
- Öffnen Sie den Deckel der Kanne nicht, während die Kanne in Betrieb ist, um Verbrühungen zu vermeiden.
- Äußerste Vorsicht ist geboten, wenn Sie die Kanne bewegen, während sich heiße Flüssigkeit darin befindet.
- Seien Sie vorsichtig, wenn Sie Wasser aus der Glaskanne gießen, denn kochendes Wasser und heißer Dampf verursachen Verbrühungen. Gießen Sie das Wasser nicht zu schnell aus.
- Um Verbrühungen zu vermeiden, füllen Sie die Glaskanne niemals über die Strichmarkierung „MAX“ hinaus auf.
- Nehmen Sie das Gerät nicht in Betrieb, wenn sich kein Wasser darin befindet. Füllen Sie die Glaskanne immer mindestens bis zur Markierung „MIN“. Sollte das Gerät dennoch ohne Wasser in Betrieb genommen werden, schaltet der Sicherheitsschutz die

Stromzufuhr automatisch ab.
Lassen Sie das Gerät abkühlen,
bevor Sie es nachfüllen.



WARNUNG

- Entfernen Sie die Glaskanne während des Erhitzens oder beim Bewegen des Teekorbs nicht vom Stromsockel. Vergewissern Sie sich, dass das Gerät mit dem Wassererhitzen oder Teebrühen fertig ist, bevor Sie die Glaskanne vom Stromsockel nehmen.
- Die Verwendung von nicht von Sage® empfohlenem Zubehör kann zu Bränden, Stromschlägen oder Verletzungen führen.
- Stellen Sie vor dem Reinigen, Transportieren oder Verstauen sicher, dass das Gerät abgeschaltet („OFF“), vom Stromnetz getrennt und abgekühlt ist.
- Wenn das Gerät nicht benutzt wird oder unbeaufsichtigt ist, ziehen Sie den Netzstecker aus der Steckdose.
- Lassen Sie das Gerät zwischen Kochvorgängen abkühlen.
- Halten Sie die Glaskanne sauber. Befolgen Sie die Reinigungsanleitung in dieser Broschüre.
- Verwenden Sie keine scharfen Scheuermittel oder ätzende Lösungen zur Reinigung des Geräts.
- Das Gerät ist kein Spielzeug für Kinder.
- Die Glaskanne wurde speziell behandelt, um sie härter, widerstandsfähiger und sicherer als gewöhnliches Glas zu machen. Sie ist jedoch nicht unzerbrechlich. Wenn sie fallen gelassen oder extrem hart angeschlagen wird, kann sie zerbrechen oder Materialermüdung erleiden, und zu einem späteren Zeitpunkt ohne offenkundige Ursache zersplittern.
- Mit Ausnahme der Reinigung müssen sämtliche Wartungsarbeiten von einer autorisierten Sage® Kundendienststelle durchgeführt werden.
- Dieses Gerät darf von Kindern ab 8 Jahren und Personen mit eingeschränkten körperlichen, sensorischen oder geistigen Fähigkeiten oder Personen, denen es an Erfahrung und Kenntnis mangelt, nur unter Beaufsichtigung benutzt werden oder wenn sie in die sichere Handhabung des Geräts eingewiesen wurden und die damit verbundenen Gefahren verstehen.
- Das Gerät ist kein Spielzeug für Kinder.

- Schalten Sie das Gerät immer aus („OFF“) und schalten Sie ggf. den Strom an der Steckdose ab, wenn das Gerät nicht in Gebrauch ist.



WARNUNG

Waschen Sie die Außenseite der Kanne nicht unter fließendem Wasser.



HINWEISE ZUR SICHERHEIT FÜR ALLE ELEKTRISCHEN GERÄTE

- Rollen Sie das Kabel vor Inbetriebnahme ganz aus.
- Dieses Gerät ist nur für den Hausgebrauch bestimmt. Verwenden Sie das Gerät ausschließlich zu seinem Bestimmungszweck. Verwenden Sie das Gerät nicht in fahrenden Fahrzeugen oder Booten. Verwenden Sie das Gerät nicht im Freien. Fehlgebrauch kann zu Verletzungen führen.
- Achten Sie darauf, dass das Kabel nicht über die Kante einer Arbeitsfläche oder eines Tisches hängt, heiße Oberflächen berührt oder sich verknotet.
- Strenge Beaufsichtigung ist notwendig, wenn das Gerät von Kindern bzw. in der Umgebung von Kindern verwendet wird.
- Das Gerät darf nur von Kindern mit einem Mindestalter von 8 Jahren und unter Beaufsichtigung gereinigt werden.
- Das Gerät und das Netzkabel müssen außerhalb der Reichweite von Kindern unter 8 Jahren aufbewahrt werden.

- Benutzen Sie das Gerät nicht, wenn das Stromkabel, der Netzstecker oder das Gerät selbst in irgendeiner Weise beschädigt sind. Im Falle von Beschädigungen oder Wartungsarbeiten, die über die gewöhnliche Reinigung hinausgehen, kontaktieren Sie bitte den Sage Kundendienst oder besuchen Sie sageappliances.com



WARNUNG

- Betreiben Sie das Gerät nicht auf einer geneigten Fläche.
- Bewegen Sie das Gerät nicht in eingeschaltetem Zustand.



Dieses Symbol bedeutet, dass das Gerät nicht mit dem gewöhnlichen Haushaltsmüll entsorgt werden darf. Stattdessen muss es zu einer für diesen Zweck eingerichteten behördlichen Sammelstelle oder zu einem Händler gebracht werden, der Entsorgung anbietet. Weitere Informationen dazu erhalten Sie bei Ihrem Gemeindeamt.

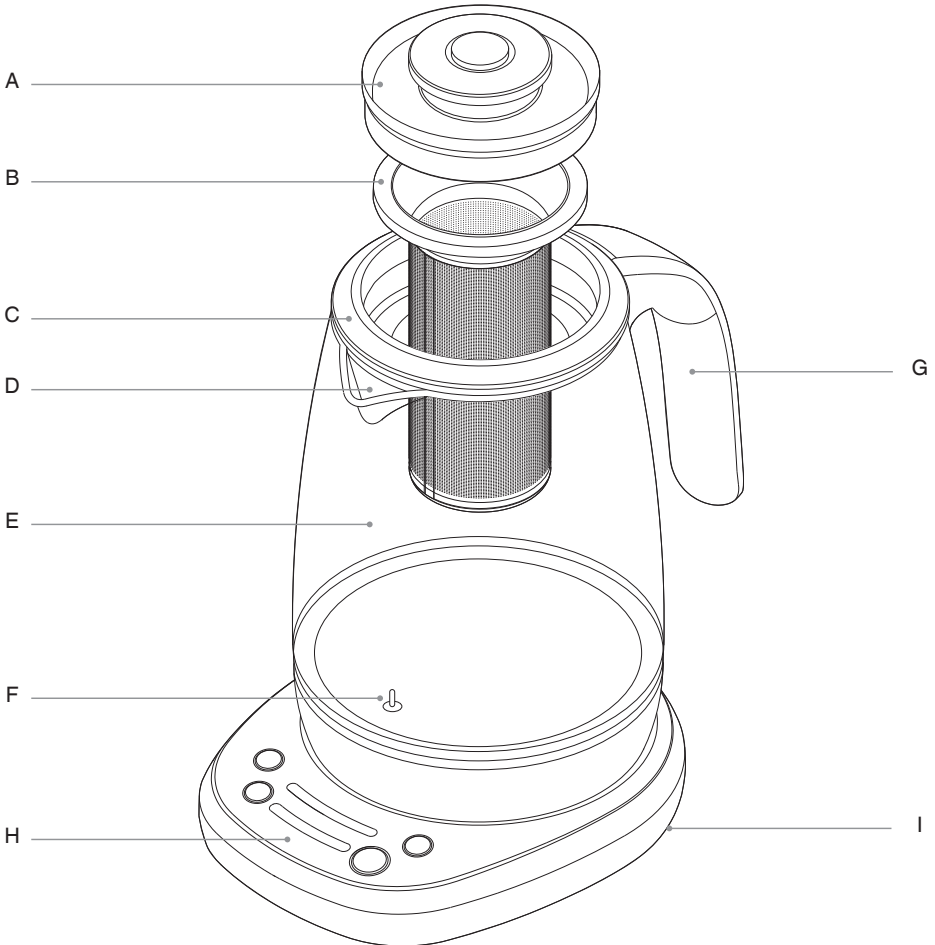


Um sich vor Stromschlägen zu schützen, tauchen Sie niemals den Boden der Teekanne, den Stromsockel, das Stromkabel oder den Netzstecker in Wasser ein und achten Sie darauf, dass diese Teile nicht feucht werden. Achten Sie darauf, dass keine Wasserspritzer mit dem Stromsockel in Berührung kommen. Tauchen Sie die Glaskanne oder den Stromsockel beim Reinigen nicht in Wasser ein.

ANLEITUNG AUFBEWAHREN



Komponenten



- A. Innendeckel
- B. Edelstahl-Teekorb
- C. Außendeckel
- D. Auslauf
- E. Glaskörper

- F. Integrierter Temperatursensor
- G. Henkel
- H. Stromsockel
- I. Kabelaufbewahrung

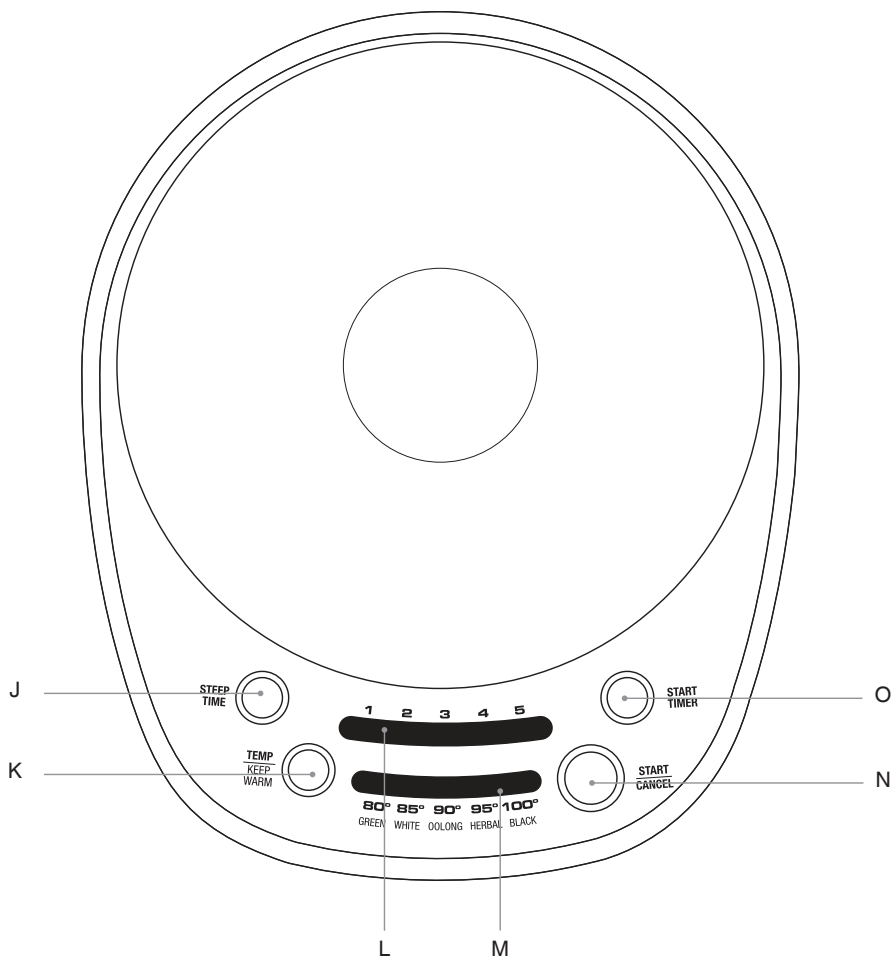
BPA-freie Werkstoffe*

*Sage führt die Bezeichnung „BPA-frei“ für dieses Produkt auf Grundlage unabhängiger Labortests für alle mit Lebensmitteln in Berührung kommenden Kunststoffmaterialien des Produkts gemäß EU-Verordnung Nr. 10/2011.



Leistungsdaten

220–240 V ~ 50-60 Hz 1200-1428 W



J. Taste „STEEP TIME“/BRÜHZEIT-Taste
 K. Taste „TEMP/KEEP WARM“/
 Warmhaltefunktion
 L. Anzeige für Brühzeit

M. Anzeige für Temperatur/Teesorte
 N. Taste „START/CANCEL“/Start- und
 Ende-Taste
 O. Taste „START TIMER“/Timer-Start-Taste

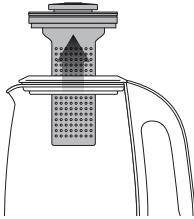


Funktionen

VOR DEM ERSTEN GEBRAUCH

Um Staub oder Rückstände aus dem Herstellungsprozess zu entfernen, wird empfohlen, einen Kochdurchgang zu durchlaufen und dann das Wasser wegzugießen.

1. Entfernen und entsorgen Sie jegliches Verpackungsmaterial, Aufkleber und Klebeband vom Sage Smart Tea Infuser™.
2. Heben Sie den Innendeckel zusammen mit dem Teekorb an. Entfernen Sie dann den Außendeckel.
3. Waschen Sie den Außendeckel, den Teekorb und den Innendeckel mit warmem Seifenwasser und einem weichen Schwamm, spülen Sie ihn aus und trocknen Sie ihn gründlich ab.



WARNUNG

Tauchen Sie niemals den Boden der Glaskanne, den Stromsockel, das Stromkabel oder den Netzstecker in Wasser ein und lassen Sie diese Teile nicht feucht werden.

4. Stellen Sie den Stromsockel auf eine ebene, trockene Fläche.
5. Entrollen Sie das Kabel vollständig und schließen Sie den Netzstecker an eine geerdete Steckdose an.



WARNUNG

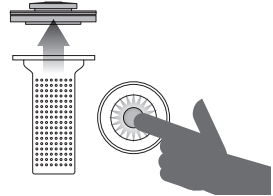
Füllen Sie die Glaskanne niemals mit kaltem Wasser. Lassen Sie den Sage Smart Tea Infuser™ vor dem Wiederauffüllen abkühlen.



WARNUNG

Wenn die Teekanne über die „MAX“-Markierung hinaus gefüllt wird, kann es zu schweren Verbrennungen oder Verletzungen durch überlaufendes heißes oder siedendes Wasser kommen. Wenn die Teekanne nicht bis zur „MIN“-Markierung gefüllt wird, schaltet sich der Sage Smart Tea Infuser™ ab, bevor das Wasser kocht oder auf die eingestellte Temperatur erhitzt wurde.

6. Lösen Sie den Teekorb vom Innendeckel durch Drücken der Taste.



7. Füllen Sie vor Sie dem Wiedereinsetzen des Teekorbs die Glaskanne bis zur „MAX“-Markierung mit Wasser und stellen Sie die Kanne dann auf den Stromsockel. Setzen Sie den Kannendeckel fest auf die Glaskanne. Der Sage Smart Tea Infuser™ gibt einen Piepton aus und die Tasten leuchten auf.
8. Wählen Sie „100°C“ in der Temperaturanzeige durch Drücken der Taste „TEMP/KEEP WARM“ und deaktivieren Sie den Timer durch mehrmaliges Drücken der Taste „STEEP TIME“. Drücken Sie dann die Taste „START/CANCEL“ zum Starten.
9. Wenn das Wasser eine Temperatur von 100°C erreicht hat, ertönen 3 Pieptöne.
10. Gießen Sie das Wasser weg. Der Sage Smart Tea Infuser™ kann nun verwendet werden.

TEEBRÜHEN

1. Füllen Sie die Glaskanne mit der gewünschten Menge Wasser. Achten Sie darauf, die Kanne nicht über die „MAX“-Markierung hinaus zu füllen. Platzieren Sie den Außendeckel, den Teekorb und den Innendeckel.
2. Wählen Sie die Teesorte durch Drücken der Taste „TEMP/KEEP WARM“. Die Teesorte bestimmt Brühtemperatur und Brühzeit, basierend auf mittlerer Stärke. Drücken Sie die Taste „STEEP TIME“, um die Ziehfunktion zu aktivieren. Der

Sage Smart Tea Infuser™ verfügt über 5 Voreinstellungen für Teesorten. Diese werden empfohlen für die optimale Zubereitung von grünem Tee, weißem Tee, Oolong-Tee, Kräutertee oder schwarzem Tee.

Teesorte	Grüner Tee	Weißer Tee	Oolong-Tee	Kräutertee	Schwarzer Tee	
Voreingestellte Brühtemperatur	80 °C	85 °C	90 °C	95 °C	100 °C	
Brühzeit* (Minuten)	Mild	2	2	2	3	1
	Mittel*	3	3	3	4	2
	Stark	4	4	4	5	3

*Die Brühzeit-Voreinstellungen basieren auf mittlerer Stärke, lassen sich aber nach Belieben variieren.



HINWEIS

Dieses Produkt ist nicht für kommerzielle oder wissenschaftliche Anwendungen kalibriert. Temperaturen können bis zu ± 3 °C schwanken, was innerhalb der Bandbreite für die optimale Zubereitung aller Teesorten liegt.

- Starten Sie den Aufwärmvorgang durch Drücken der Taste „START/CANCEL“. Der Sage Smart Tea Infuser™ beginnt daraufhin mit dem Aufwärmen.
- Bei Erreichen der eingestellten Brühtemperatur ertönen 3 Pieptöne. Öffnen Sie den Deckel des Teekorbs durch Drücken der Entriegelungstaste und füllen Sie ihn mit einem Teelöffel (etwa 5 g) Teeblätter. Als allgemeine Richtlinie gilt 1 Teelöffel Tee pro Tasse bzw. 250 ml Wasser; diese Menge kann jedoch je nach Anleitung auf der Verpackung und nach persönlicher Vorliebe variieren. Setzen Sie den Deckel des Teekorbs wieder auf.

Verhältnis von Wasser zu Tee

500 ml	2 Teelöffel
750 ml	3 Teelöffel
1000 ml	4 Teelöffel
1250 ml	5 Teelöffel
1500 ml	6 Teelöffel
1700 ml	7 Teelöffel

- Starten Sie den Brühvorgang durch Drücken der Taste „START TIMER“. Der Timer ist standardmäßig auf mittlere Stärke eingestellt, Sie können dies jedoch ändern durch Drücken der Taste „STEEP TIME“.



HINWEIS

Temperatur und Brühzeit können während des Erhitzens oder während des Brühvorgangs geändert werden.

- Wenn der Brühvorgang abgeschlossen ist, wird dies vom Sage Smart Tea Infuser™ durch 3 Pieptöne signalisiert. Heben Sie den Innendeckel zusammen mit dem Teekorb an und nehmen Sie den Teekorb ab. Schließen Sie dann den Deckel. Ihr Tee ist jetzt fertig. Der Sage Smart Tea Infuser™ hält den Tee warm, bis Sie ihn trinken möchten.

WARMHALTEFUNKTION

Wenn diese Funktion vor dem Aufwärmen ausgewählt wird, hält sie den gebrühten Tee 30 Minuten lang warm. Wenn die Glaskanne vom Stromsokkel genommen wird, schaltet die Warmhaltefunktion automatisch ab.

Stellen Sie zum erneuten Aktivieren der Warmhaltefunktion für weitere 30 Minuten die Glaskanne mit dem restlichen Tee wieder auf den Stromsokkel und drücken Sie die Taste „KEEP WARM“, woraufhin die entsprechende LED aufleuchtet.

WASSERKOCHEN

Entfernen Sie zuerst den Teekorb und füllen die Glaskanne mit Wasser. Verschließen Sie die Kanne mit dem Deckel. Wählen Sie die gewünschte Temperatur durch Drücken der Taste „TEMP/KEEP WARM“ und deaktivieren Sie dann die Zeitanzeige durch Drücken der Taste „STEEP TIME“. Drücken Sie die Taste „START/CANCEL“ zum Starten. Wenn der Vorgang abgeschlossen ist, wird dies durch 3 Pieptöne signalisiert.

PIEPTON-LAUTSTÄRKE ÄNDERN

Halten Sie die Tasten „STEEP TIME“ und „TEMP/KEEP WARM“ zusammen für 2 Sekunden lang gedrückt zum Aktivieren des Lautstärkeregelungsmodus. Drücken Sie die Taste „STEEP TIME“ zum Auswählen zwischen „OFF“ (Stumm), „3“ (Standardeinstellung) und „5“ (Laut). Drücken Sie zum Speichern und Beenden die beiden Tasten zusammen oder warten Sie 7 Sekunden.



Pflege und Reinigung

REINIGEN DER GLASKANNE

- Entleeren Sie die Glaskanne nach jeder Verwendung.
Lassen Sie den gebrühten Tee nicht über Nacht in der Kanne. Lassen Sie die Glaskanne vor dem Reinigen vollständig abkühlen.
- Reinigen Sie die Innenseite der Glaskanne mit einem weichen, feuchten Schwamm oder spülen Sie die Kanne mit warmem Wasser aus.
- Verwenden Sie zum Reinigen der Außenseite der Glaskanne ein weiches, feuchtes Tuch.



WARNUNG

Die Außenseite der Glaskanne darf niemals unter fließendem Wasser gewaschen werden.



HINWEIS

Verwenden Sie keine Chemikalien, Stahlwolle oder Scheuermittel zur Reinigung der Innenseite oder Außenseite der Glaskanne, da dies Kratzer verursachen kann.

- Zum Entfernen von Ablagerungen von Tannin, einem ätzenden chemischen Bestandteil von Tee, füllen Sie die Glaskanne bis zur „MAX“-Markierung mit Wasser, bringen Sie das Wasser zum Kochen und lassen es dann eine Minute lang abkühlen. Geben Sie den Inhalt des Teekoche-Reinigers (erhältlich auf der Breville Website) hinzu und lassen Sie ihn 5 Minuten lang einwirken. Leeren Sie den Sage Smart Tea Infuser™, füllen Sie ihn erneut mit frischem Wasser und bringen Sie das Wasser zum Kochen. Wiederholen Sie diesen Schritt erneut.

Leeren Sie den Sage Smart Tea Infuser™ und spülen Sie ihn gut aus.

- Trocknen Sie den Teekocheer gründlich mit einem flusenfreien Tuch, bevor Sie ihn wieder verwenden.



HINWEIS

Durch regelmäßige Verwendung kann es im Lauf der Zeit zu Kalkablagerungen kommen, was die Lebensdauer und die Leistung des Sage Smart Tea Infuser™ beeinträchtigt. Kalk und Phosphat hinterlassen Spuren, die zu Schäden am Sage Smart Tea Infuser™ führen können. Kalk, ein harmloses Mineral, lagert sich auf der Innenseite und am Boden der Glaskanne ab und ist als weiße oder rostfarbene Schicht sichtbar. Phosphatspuren sind unsichtbar, können jedoch beim Erhitzen zu einer Trübung des Wassers führen. Um eine Beschädigung des Sage Smart Tea Infuser™ durch Ablagerungen zu vermeiden, muss die Glaskanne regelmäßig entkalkt werden. Verwenden Sie Entkalker (verfügbar auf der Sage Webseite) und befolgen Sie die Anweisungen.



WARNUNG

Verursacht Hautreizungen. Nach Gebrauch Hände gründlich waschen. Schutzhandschuhe/Schutzkleidung/Augenschutz/Gesichtsschutz tragen.



HINWEIS

Lassen Sie alle Teile des Sage Smart Tea Infuser™ vollständig abkühlen, bevor Sie ihn zerlegen und reinigen.



WARNUNG

Tauchen Sie niemals den Boden des Teekessels, den Stromsockel, das Stromkabel oder den Netzstecker in Wasser ein und lassen Sie diese Teile nicht feucht werden.



REINIGEN DES AUSSENDECKELS

- Waschen Sie den Außendeckel mit warmem Seifenwasser und einem weichen Schwamm, spülen Sie ihn aus und trocknen Sie ihn gründlich ab.
- Der Außendeckel ist auch spülmaschinenfest.
- Lassen Sie alle Oberflächen vor der Anwendung gründlich trocknen.

REINIGEN DES TEEKORBS

- Waschen Sie den Deckel des Teekorbs und den Teekorb in warmem Seifenwasser; anschließend abspülen und gründlich trocknen.
- Verwenden Sie einen nicht scheuernden Flüssigreiniger oder ein mildes Reinigungsspray, um Ablagerungen am Teekorb zu verhindern. Tragen Sie das Reinigungsmittel vor dem Reinigen auf den Schwamm und nicht direkt auf die Oberfläche des Teekorbs auf.
- Lassen Sie alle Oberflächen vor der Verwendung gründlich trocknen.

REINIGEN DES STROMSOCKELS

- Reinigen Sie den Stromsockel mit einem weichen, feuchten Schwamm.
- Lassen Sie alle Oberflächen gründlich trocknen, bevor Sie den Netzstecker an die Steckdose anschließen.

AUFBEWAHRUNG

- Stellen Sie sicher, den Sage Smart Tea Infuser™ vor dem Verstauen auszuschalten, zu reinigen und zu trocknen.
- Stellen Sie sicher, dass der Teekorb ordnungsgemäß zusammengesetzt ist.
- Stellen Sie sicher, dass der Deckel der Glaskanne gut eingerastet ist.
- Wickeln Sie das Kabel um die Kabelaufbewahrung unter dem Stromsockel.
- Verstauen Sie den Sage Smart Tea Infuser™ aufrecht auf dem Sockel. Stellen Sie keine Gegenstände auf das Gerät.



Störungsbehebung

PROBLEM	Lösung
Der Sage Smart Tea Infuser™ schaltet sich nicht ein	<ul style="list-style-type: none"> • Überprüfen Sie, ob der Netzstecker richtig an der Steckdose angeschlossen ist. • Schließen Sie den Netzstecker an eine separate Steckdose an. • Schließen Sie den Netzstecker an einer anderen Steckdose an. • Setzen Sie den Schutzschalter ggf. zurück. • Für zusätzliche Sicherheit ist der Sage Smart Tea Infuser™ mit einem Thermoschalter ausgestattet. Bei starker Überhitzung schaltet sich der Sage Smart Tea Infuser™ automatisch ab, um weitere Schäden zu verhindern.
Der Sage Smart Tea Infuser™ funktioniert nicht	<ul style="list-style-type: none"> • Überprüfen Sie, ob die Glaskanne fest auf dem Stromsckel positioniert ist.
Ich kann eine bestimmte Funktion nicht auswählen	<ul style="list-style-type: none"> • Bestimmte Funktionen können während des Erhitzens oder Brühens nicht verwendet werden. LEDs neben den Tasten zeigen die verfügbaren Funktionen an.
Nach dem Kochen von Wasser bilden sich Bläschen um den Temperatursensor	<ul style="list-style-type: none"> • Dies ist normal beim Betrieb des Sage Smart Tea Infuser™.
Mein Tee ist zu schwach oder zu stark	<ul style="list-style-type: none"> • Führen Sie einen Reinigungsvorgang gemäß der Anleitung in der Broschüre durch. • Befolgen Sie die Anweisungen in dieser Broschüre.



Garantie

2 JAHRE BESCHRÄNKTE GARANTIE

Sage Appliances gibt auf dieses Produkt für den häuslichen Gebrauch in bestimmten Gebieten eine Garantie über 2 Jahre ab Kaufdatum für Mängel, die durch fehlerhafte Verarbeitung und Materialien verursacht wurden. Während dieser Garantiezeit wird Sage Appliances jedes fehlerhafte Produkt reparieren, ersetzen oder das Geld zurückerstatten (nach eigenem Ermessen von Sage Appliances).

Alle gesetzlichen Gewährleistungsrechte nach geltendem nationalem Recht werden beachtet und durch unsere Garantie nicht beeinträchtigt. Die vollständigen Garantiebestimmungen und -bedingungen sowie Hinweise zur Geltendmachung von Ansprüchen finden Sie unter www.sageappliances.com.

the Sage Smart Tea Infuser™



FR GUIDE RAPIDE

Sage®



Table des matières

- 2 Consignes de sécurité importantes
- 6 Composants
- 8 Fonctions
- 10 Entretien et nettoyage
- 12 Dépannage
- 13 Garantie

SAGE® RECOMMANDE LA SÉCURITÉ AVANT TOUT

Chez Sage®, la sécurité est une priorité. Nous concevons et fabriquons des produits consommateurs en mettant la sécurité de nos précieux clients, c'est-à-dire vous, au premier plan. Nous vous demandons également de faire attention lorsque vous utilisez un appareil électrique et de respecter les consignes suivantes.

CONSIGNES DE SÉCURITÉ IMPORTANTES

LISEZ TOUTES LES INSTRUCTIONS AVANT UTILISATION ET CONSERVEZ-LES POUR RÉFÉRENCE ULTÉRIEURE

- Une version téléchargeable de ce document est également disponible sur sageappliances.com.
- Avant une première utilisation, assurez-vous que votre alimentation électrique est identique à celle illustrée sur l'étiquette située en dessous de l'appareil. Si vous avez des questions, veuillez contacter votre fournisseur d'électricité.
- Retirez tout emballage avant la première utilisation et éliminez-le de façon sûre.
- Pour éviter tout risque d'étouffement pour les enfants en bas âge, jetez en lieu sûr le couvercle de protection sur la prise d'alimentation.
- Cet appareil a été conçu spécifiquement pour chauffer et porter à ébullition de l'eau de boisson et du thé de qualité uniquement. Ce produit ne doit en aucun cas être utilisé pour chauffer ou faire bouillir d'autres liquides ou denrées alimentaires.
- Placez l'appareil sur une surface stable, résistante à la chaleur, plane et sèche, loin du bord. Ne l'utilisez pas sur ou à proximité d'une source de chaleur (plaque chauffante, four ou cuisinière au gaz).
- Ne placez pas l'appareil au contact ou à proximité d'un brûleur électrique ou à gaz chaud ou à un emplacement où il est susceptible d'entrer en contact avec un four chaud.

- Placez l'appareil à au moins 20 cm des murs ou des matériaux sensibles à la chaleur/vapeur et prévoyez un espace suffisant au-dessus et sur tous les côtés pour la circulation d'air.
- N'utilisez pas la bouilloire sur l'égouttoir d'un évier.
- Assurez-vous toujours que l'appareil est correctement assemblé avant de le brancher sur une prise électrique et de l'utiliser. Suivez les instructions fournies dans ce livret.
- L'installation d'un interrupteur différentiel à courant résiduel est recommandée pour fournir une sécurité supplémentaire lors de l'utilisation de tous les appareils électriques. Les interrupteurs différentiels avec un courant de fonctionnement nominal maximal de 30 mA sont recommandés. Consultez un électricien pour obtenir des conseils professionnels.
- La carafe en verre doit uniquement être utilisée avec la base d'alimentation fournie. Ne l'utilisez pas sur une gazinière.
- L'appareil ne doit pas être utilisé avec une minuterie externe ou un système de commande à distance séparé.
- Ne touchez pas les surfaces chaudes. Utilisez la poignée pour lever et transporter la carafe en verre.
- Fixez bien le couvercle sur la carafe en verre avant l'utilisation.
- Ne déposez rien sur le couvercle.
- Pour éviter tout risque de brûlure, n'ouvrez pas le couvercle de la carafe quand l'appareil est en marche.
- Si vous devez déplacer une carafe en verre contenant des liquides chauds, soyez très vigilant.
- Faites preuve de prudence lorsque vous versez de l'eau de la carafe en verre, car l'eau bouillante et la vapeur peuvent provoquer des brûlures. Ne versez pas l'eau rapidement.
- Pour éviter les brûlures, ne remplissez jamais la carafe en verre au-delà de la ligne MAX.
- Ne faites pas fonctionner l'appareil sans eau. Remplissez toujours la carafe au moins jusqu'à la marque MIN. Si elle ne contient pas d'eau lors du fonctionnement, la protection anti-usage à sec coupe automatiquement l'alimentation électrique. Laissez l'appareil refroidir avant de le remplir à nouveau.



AVERTISSEMENT

- Ne retirez pas la carafe d'eau de la base d'alimentation lorsque l'eau chauffe ou que le filtre est en marche. Assurez-vous que l'appareil a terminé le cycle de chauffage de l'eau ou d'infusion du thé avant de retirer la carafe en verre de la base d'alimentation.

- L'utilisation d'accessoires non recommandés par Sage® peut provoquer des incendies, des chocs électriques ou des blessures corporelles.
- Assurez-vous toujours que l'appareil est hors tension, débranché de la prise électrique et qu'il a refroidi avant de le nettoyer, de le déplacer ou de le ranger.
- Lorsque l'appareil n'est pas utilisé ou lorsqu'il est laissé sans surveillance, débranchez le cordon d'alimentation de la prise murale.
- Laissez l'appareil refroidir entre les cycles d'infusion.
- Veillez à nettoyer la carafe en verre. Suivez les instructions de nettoyage indiquées dans ce livret.
- N'utilisez pas de produits abrasifs ni de nettoyants caustiques pour nettoyer l'appareil.
- Les enfants ne doivent pas jouer avec l'appareil.
- La carafe en verre a subi un traitement spécial pour la rendre plus résistante, durable et sûre qu'une carafe en verre ordinaire, mais elle n'est pas incassable. En cas de chute ou de choc violent, elle peut se casser ou être fragilisée, et pourrait ultérieurement se briser en petits morceaux sans cause apparente.
- Tout entretien autre que le nettoyage doit être réalisé par un centre de services Sage® agréé.
- Cet appareil peut être utilisé par des enfants âgés de 8 ans ou plus et des personnes aux capacités mentales, sensorielles ou physiques réduites, ou ayant peu d'expérience et de connaissances, uniquement sous supervision ou s'ils ont reçu des instructions sur l'utilisation sécuritaire de l'appareil et qu'ils comprennent les risques impliqués.
- Les enfants ne doivent pas jouer avec l'appareil.
- Assurez-vous toujours que l'appareil est éteint, hors tension et débranché au niveau de la prise électrique lorsqu'il n'est pas utilisé.



AVERTISSEMENT

- Ne lavez pas l'extérieur de la carafe sous l'eau courante.



MESURES IMPORTANTES DE SÉCURITÉ POUR TOUS LES APPAREILS ÉLECTRIQUES

- Déroulez entièrement le cordon d'alimentation avant utilisation.
- Cet appareil est destiné à un usage domestique uniquement. N'utilisez pas l'appareil pour toute autre fin que son utilisation prévue. Ne l'utilisez pas sur un bateau ou dans des véhicules en mouvement. Ne l'utilisez pas en plein air. Une mauvaise utilisation peut engendrer des blessures.
- Ne laissez pas le cordon d'alimentation suspendu au bord d'un plan de travail ou d'une table, entrer en contact avec des surfaces chaudes ou se nouer.
- Une surveillance étroite doit être exercée lorsque l'appareil est utilisé par des enfants ou utilisé à proximité d'enfants.
- Le nettoyage de l'appareil ne doit pas être effectué par des enfants à moins qu'ils aient 8 ans ou plus, et ce, sous la surveillance d'un adulte.
- L'appareil et son cordon doivent être conservés hors de la portée des enfants de 8 ans et moins.

- N'utilisez pas l'appareil si le cordon d'alimentation, la prise ou l'appareil sont endommagés de quelque manière que ce soit. En cas de dommages ou si un entretien autre que le nettoyage est nécessaire, contactez le service client Sage ou consultez le site sageappliances.com.



AVERTISSEMENT

- N'utilisez pas l'appareil sur une surface inclinée.
- Ne déplacez pas l'appareil s'il est allumé.



Le symbole illustré indique que cet appareil ne doit pas être jeté aux ordures ménagères. Il doit être confié à un centre de collecte de déchets des autorités locales désigné à cette fin ou à un revendeur proposant ce service. Pour en savoir plus, veuillez contacter le bureau de votre municipalité.

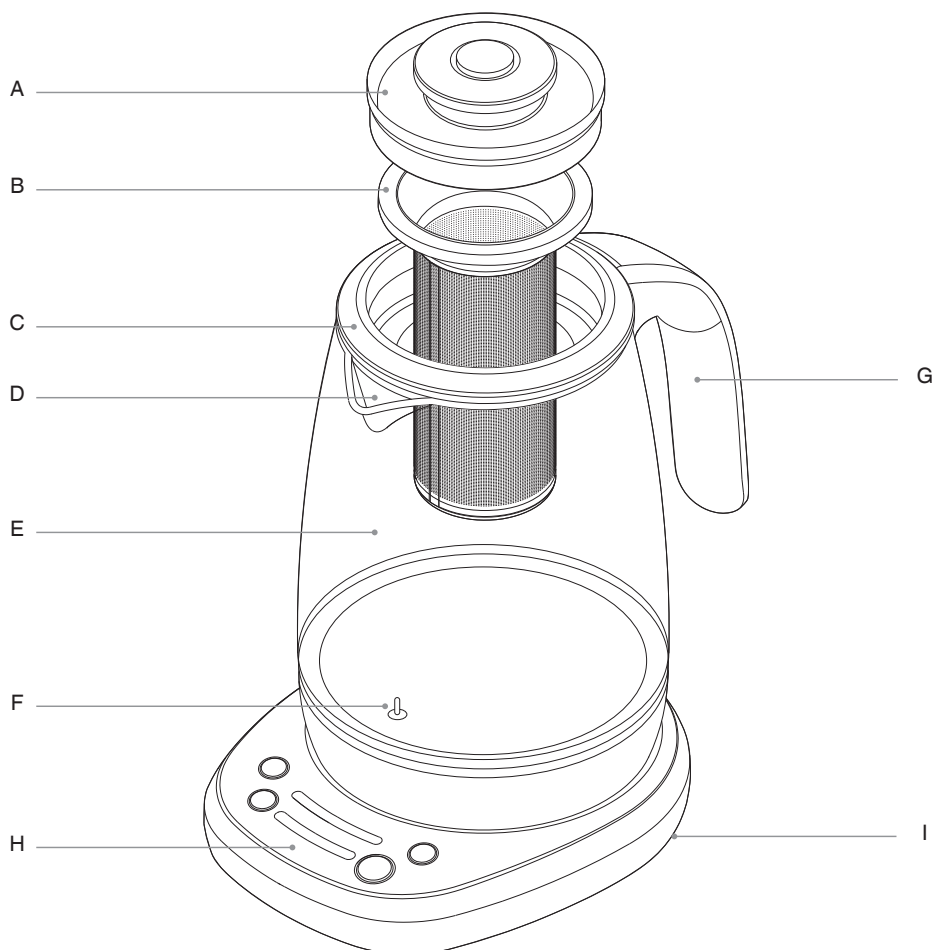


Pour vous protéger contre les chocs électriques, n'immergez jamais la base de la carafe en verre, la base d'alimentation, le cordon électrique ou la prise électrique dans l'eau, et ne laissez pas l'humidité entrer en contact avec ces pièces. Évitez de renverser de l'eau sur le connecteur de la base d'alimentation. N'immergez pas la carafe en verre ou la base d'alimentation lors du nettoyage.

CONSERVEZ CES INSTRUCTIONS



Composants



- A. Couvercle intérieur
- B. Filtre à thé en acier inoxydable
- C. Couvercle extérieur
- D. Bec verseur
- E. Carafe en verre

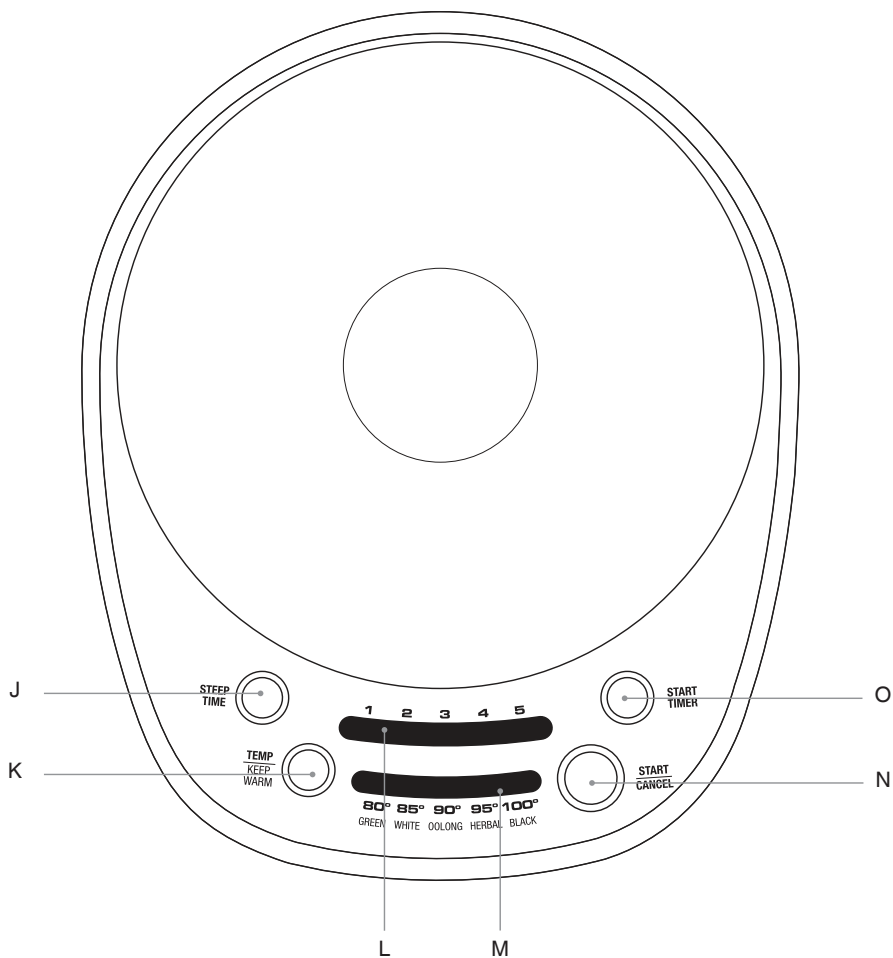
- F. Capteur de température immergé
- G. Poignée
- H. Base d'alimentation
- I. Rangement du cordon

Matériaux sans BPA*

* Sage déclare que ce produit ne contient pas de BPA sur la base d'essais en laboratoire indépendants effectués pour toutes les matières plastiques du produit en contact avec les aliments, conformément au Règlement de la Commission européenne n° 10/2011.



Informations sur la tension nominale
220 – 240 V ~ 50 - 60 Hz 1 700 - 2 000 W



- J. Bouton STEEP TIME (temps d'infusion)
- K. Bouton TEMP/KEEP WARM (Température/Maintien au chaud)
- L. Indicateur de temps d'infusion

- M. Indicateur de température/type de thé
- N. Bouton START/CANCEL (Démarrer/Annuler)
- O. Bouton START TIMER (Démarrer le minuteur)

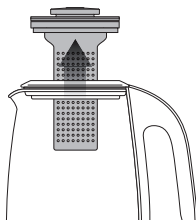


Fonctions

AVANT LA PREMIÈRE UTILISATION

Afin d'éliminer la poussière ou les résidus de protection du processus de fabrication, il est recommandé de lancer un cycle d'ébullition puis de jeter l'eau.

1. Retirez et jetez en lieu sûr les emballages, adhésifs et étiquettes promotionnelles de la Sage Smart Tea Infuser™.
2. Soulevez le couvercle intérieur avec le filtre à thé. Retirez ensuite le couvercle extérieur.
3. Lavez le couvercle extérieur, le filtre à thé et le couvercle intérieur à l'eau tiède savonneuse avec une éponge douce, puis rincez-les et séchez-les soigneusement.



AVERTISSEMENT

N'immergez jamais la base de la carafe en verre, la base d'alimentation, le cordon électrique ou la prise électrique dans l'eau, et ne laissez pas l'humidité entrer en contact avec ces pièces.

4. Placez la base d'alimentation sur une surface plane et sèche.
5. Déroulez complètement le cordon d'alimentation et insérez le cordon d'alimentation dans une prise murale mise à la terre.



AVERTISSEMENT

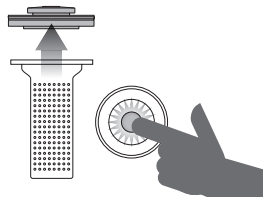
Ne remplissez jamais la carafe en verre avec de l'eau glacée. Laissez la Sage Smart Tea Infuser™ refroidir avant de la remplir à nouveau.



AVERTISSEMENT

Si vous dépassez la ligne MAX au moment du remplissage, vous risquez de vous brûler ou de vous blesser car l'eau chaude ou bouillante peut déborder. Si vous remplissez la carafe en-dessous de la ligne MIN, la Sage Smart Tea Infuser™ s'éteindra avant que l'eau n'ait bouilli ou atteint la température sélectionnée.

6. Détachez le filtre à thé du couvercle intérieur en appuyant sur le bouton.



7. Avant de placer le filtre à thé, remplissez la carafe en verre jusqu'à la ligne MAX, puis placez-la sur la base d'alimentation. Fixez bien le couvercle sur la carafe en verre. La Sage Smart Tea Infuser™ émet un bip et les boutons s'allument.
8. Sélectionnez « 100 °C » dans l'indicateur de température en appuyant sur le bouton TEMP/KEEP WARM et éteignez la minuterie en appuyant plusieurs fois sur le bouton STEEP TIME. Appuyez sur la touche START/CANCEL pour démarrer.
9. Lorsque l'eau atteint 100 °C, elle émet 3 bips.
10. Jetez l'eau. La Sage Smart Tea Infuser™ est prête à l'emploi.

INFUSION DU THÉ

1. Remplissez la carafe en verre avec la quantité d'eau souhaitée. Assurez-vous de ne pas dépasser la marque MAX. Mettez en place le couvercle extérieur, le filtre à thé et le couvercle intérieur.
2. Sélectionnez le type de thé en appuyant sur le bouton TEMP/KEEP WARM. Le type de thé détermine la température et le temps d'infusion, sur la base d'une force de thé moyenne. Appuyez sur STEEP TIME pour démarrer la fonction d'infusion. Votre Sage Smart Tea Infuser™ possède 5 types de thé prédéfinis recommandés pour une infusion optimale de thé vert, blanc, oolong, noir ou de tisanes.

Type de thé	Vert	Blanc	Oolong	Tisanes	Noir	
Température d'infusion prérégulée	80 °C	85 °C	90 °C	95 °C	100 °C	
Temps d'infusion* (minutes)	Doux	2	2	2	3	1
	Moyen*	3	3	3	4	2
	Fort	4	4	4	5	3

* Le temps d'infusion pré-régulé est basé sur une force moyenne, mais vous pouvez l'adapter en fonction de vos goûts.



REMARQUE

Ce produit n'est pas conçu pour un usage commercial ou scientifique. Les températures peuvent varier d'environ +/- 3 °C, ce qui permet une qualité d'infusion optimale pour chaque type de thé.

3. Démarrez le chauffage en appuyant sur la touche START/CANCEL. La Sage Smart Tea Infuser™ commence à chauffer l'eau.

4. Lorsque la température d'infusion sélectionnée est atteinte, un bip retentit 3 fois. Ouvrez le couvercle du filtre à thé en appuyant sur le bouton d'ouverture et utilisez une cuillère à thé (environ 5 g) pour remplir le filtre avec les feuilles de thé. De manière générale, utilisez 1 cuillère à thé par tasse/250 ml d'eau. Toutefois, cela dépend des doses recommandées sur l'emballage de votre thé et de vos préférences personnelles. Remplacez le couvercle du filtre à thé.

Nombre de cuillères à thé par rapport à la quantité d'eau

500 ml	2 cuillères à thé
750 ml	3 cuillères à thé
1 000 ml	4 cuillères à thé
1 250 ml	5 cuillères à thé
1 500 ml	6 cuillères à thé
1 700 ml	7 cuillères à thé

5. Commencez l'infusion en appuyant sur le bouton START TIMER. La minuterie est réglée par défaut sur une force moyenne, mais vous pouvez la modifier en appuyant sur le bouton STEEP TIME.



REMARQUE

La température et le temps peuvent être modifiés au cours du cycle de chauffage ou d'infusion.

6. Une fois le cycle d'infusion terminé, votre Sage Smart Tea Infuser™ émet 3 bips. Relevez le couvercle intérieur avec le filtre à thé et retirez le filtre à thé. Refermez le couvercle. Votre thé est prêt. La Sage Smart Tea Infuser™ gardera le thé au chaud jusqu'à ce que vous soyez prêt à le boire.

MAINTIEN AU CHAUD

Si cette option est sélectionnée avant le cycle de chauffage, le maintien au chaud sera assuré pendant 30 minutes après l'infusion du thé. Lorsque la carafe en verre est retirée de la base d'alimentation, la fonction Keep Warm (Maintien au chaud) s'annule.

Pour réactiver la fonction pendant 30 minutes de plus, remplacez la carafe en verre avec le thé restant sur la base d'alimentation et appuyez sur KEEP WARM (Maintien au chaud). Une fois la fonction sélectionnée, le voyant s'allumera.

ÉBULLITION DE L'EAU

Retirez le filtre à thé et remplissez la carafe en verre d'eau. Fermez la carafe avec le couvercle. Sélectionnez la température souhaitée en appuyant sur le bouton TEMP/KEEP WARM, puis éteignez la minuterie en appuyant plusieurs fois sur le bouton STEEP TIME. Appuyez sur la touche START/CANCEL pour démarrer. Lorsqu'elle a terminé, la bouilloire émet 3 bips.

MODIFICATION DU VOLUME DU SIGNAL SONORE

Appuyez et maintenez enfoncés les boutons STEEP TIME et TEMP/KEEP WARM simultanément pendant 2 secondes pour accéder au mode de réglage du volume. Appuyez sur la touche STEEP TIME pour choisir entre OFF (sourdine), 3 (volume par défaut) et 5 (plus fort). Pour enregistrer et quitter, appuyez simultanément sur les deux boutons ou attendez 7 secondes.



Entretien et nettoyage

NETTOYAGE DE LA CARAFE EN VERRE

- Après chaque utilisation, videz la carafe en verre.
Ne laissez pas le thé infusé reposer toute la nuit. Laissez la carafe en verre refroidir complètement avant de la nettoyer.
- Essuyez l'intérieur de la carafe en verre avec une éponge douce et humide ou rincez-la avec de l'eau tiède.
- Essuyez l'extérieur de la carafe en verre avec un chiffon doux et humide pour la nettoyer.



AVERTISSEMENT

N'immergez ou ne nettoyez jamais l'extérieur de la carafe en verre sous l'eau du robinet.



REMARQUE

N'utilisez pas de produits chimiques, de laine d'acier ou de nettoyeurs abrasifs pour nettoyer l'intérieur ou l'extérieur de la carafe en verre, car cela risquerait d'endommager la surface.

- Pour éliminer l'accumulation de tanin, le composant chimique astringent du thé, remplissez la carafe en verre avec de l'eau jusqu'à la marque MAX, faites bouillir l'eau et laissez-la refroidir pendant une minute. Ajoutez le contenu du sachet de nettoyage Tea Maker Cleaner (disponible sur la page web Sage) et laissez agir pendant 5 minutes. Videz la Sage Smart Tea Infuser™, remplissez-la d'eau fraîche et faites bouillir. Répétez cette étape. Videz la Sage Smart Tea Infuser™ et rincez-la bien.
- Séchez l'appareil soigneusement avec un chiffon doux non pelucheux avant de l'utiliser.



REMARQUE

Avec le temps et un usage régulier, la formation de calcaire peut affecter les performances et la durée de vie de la Sage Smart Tea Infuser™. Le chaux et le phosphate sont des formes courantes de calcaire qui peuvent endommager votre Sage Smart Tea Infuser™. Le calcaire, un minéral inoffensif, se présente sous la forme d'une accumulation de tartre de couleur blanche ou d'aspect rouillé sur les parois intérieures et la base intérieure de la carafe en verre. La formation de phosphate ne se voit pas, elle peut toutefois rendre l'eau trouble lorsqu'elle est chauffée. Pour éviter que le calcaire endommage votre Sage Smart Tea Infuser™, assurez-vous de détartrer régulièrement la carafe en verre. Utilisez le détartrant Sage (disponible sur la page web Sage) et suivez les instructions.



AVERTISSEMENT

Provoque une irritation cutanée. Se laver la peau soigneusement après manipulation. Porter des gants de protection/des vêtements de protection/un équipement de protection des yeux/du visage.



REMARQUE

Laissez toutes les pièces de votre Sage Smart Tea Infuser™ refroidir complètement avant de la démonter et de la nettoyer.



AVERTISSEMENT

N'immergez jamais la base de la carafe en verre, la base d'alimentation, le cordon électrique ou la prise électrique dans l'eau, et ne laissez pas l'humidité entrer en contact avec ces pièces.



NETTOYAGE DU COUVERCLE EXTÉRIEUR

- Lavez le couvercle extérieur à l'eau tiède savonneuse avec une éponge douce, puis rincez-le et séchez-le soigneusement.
- Le couvercle extérieur est également lavable au lave-vaisselle.
- Laissez toutes les surfaces sécher complètement avant de les utiliser.

NETTOYAGE DU FILTRE

- Nettoyez le couvercle du filtre et le filtre à thé avec une éponge douce à l'eau tiède savonneuse, puis rincez-les et séchez-les soigneusement.
- Vous pouvez utiliser un nettoyeur liquide non abrasif ou une solution à pulvériser douce pour éviter les accumulations de taches sur le filtre. Appliquez le nettoyeur sur l'éponge, et non directement sur la surface du filtre, avant de le nettoyer.
- Laissez toutes les surfaces sécher complètement avant de les utiliser.

NETTOYAGE DE LA BASE D'ALIMENTATION

- Nettoyez la base d'alimentation avec une éponge douce et humide.
- Laissez toutes les surfaces sécher complètement avant de brancher le cordon d'alimentation à la prise murale.

RANGEMENT

- Assurez-vous que la Sage Smart Tea Infuser™ est éteinte, nettoyée et séchée avant de la ranger.
- Assurez-vous que le filtre à thé est correctement installé.
- Assurez-vous que le couvercle de la carafe est bien fixé sur la carafe en verre.
- Enroulez le cordon d'alimentation autour du rangement du cordon d'alimentation sous la base d'alimentation.
- Rangez la Sage Smart Tea Infuser™ en position verticale sur la base d'alimentation. Ne rangez rien au-dessus de l'appareil.



Dépannage

PROBLÈME	Solution
La Sage Smart Tea Infuser™ ne s'allume pas	<ul style="list-style-type: none">• Vérifiez que le cordon d'alimentation est bien inséré dans la prise.• Insérez le cordon d'alimentation dans une prise indépendante.• Insérez le cordon d'alimentation dans une autre prise.• Réinitialisez le disjoncteur si nécessaire.• Par mesure de sécurité, la Sage Smart Tea Infuser™ est équipée d'un interrupteur thermique. En cas de surchauffe importante, la Sage Smart Tea Infuser™ s'éteint automatiquement pour éviter tout dommage supplémentaire.
La Sage Smart Tea Infuser™ ne fonctionne pas	<ul style="list-style-type: none">• Vérifiez que la carafe en verre est bien positionnée sur la base d'alimentation.
Je ne peux pas sélectionner une fonction spécifique	<ul style="list-style-type: none">• Certaines fonctions ne peuvent pas être sélectionnées ou modifiées pendant le cycle de chauffage ou d'infusion. Des DEL lumineuses autour des boutons indiquent si les fonctions sont disponibles.
Après l'ébullition de l'eau, des bulles apparaissent autour du capteur de température	<ul style="list-style-type: none">• Il s'agit d'un comportement normal de votre Sage Smart Tea Infuser™.
Mon thé est trop doux ou trop fort	<ul style="list-style-type: none">• Effectuez un cycle de nettoyage conformément aux instructions du livret.• Suivez les instructions de nettoyage indiquées dans ce livret.



Garantie

GARANTIE LIMITÉE 2 ANS

Sage Appliances garantit ce produit pour un usage domestique sur les territoires spécifiés pendant 2 ans à compter de la date d'achat, contre les défauts de fabrication et de matériaux. Au cours de cette période de garantie, Sage Appliances s'engage à réparer, remplacer ou rembourser tout produit défectueux (à sa seule discrétion).

Tous les droits de garantie légaux en vertu de la législation nationale applicable seront respectés et ne seront pas compromis par notre garantie. Pour connaître les conditions générales complètes relatives à la garantie ou pour obtenir des instructions sur la manière de déposer une réclamation, rendez-vous sur www.sageappliances.com.

Déclaration à l'intention du consommateur

SAGE FRANCE - GARANTIE LIMITÉE

Sage Appliances garantit ce produit pour un usage domestique sur les territoires spécifiés pendant 2 ans à compter de la date d'achat initiale du produit contre les défauts de fabrication et de matériaux. La période de garantie peut-être supérieure pour certains produits ou pour certaines pièces de produits. Au cours de cette période de garantie, Sage Appliances s'engage à réparer, remplacer ou rembourser tout produit défectueux (à sa seule discrétion).

Tous les droits de garantie légaux en vertu de la législation nationale applicable seront respectés et ne seront pas compromis par notre garantie. Pour connaître les conditions générales complètes relatives à la garantie ou pour obtenir des instructions sur la manière de déposer une réclamation, rendez-vous sur www.sageappliances.com.

Les dispositions de la présente garantie ne sont pas exclusives du bénéfice, au profit de l'acheteur, de la garantie légale de conformité prévue par les articles L. 217-4 et suivants du Code de la consommation, ainsi que de la garantie des vices cachés prévue par les articles 1641 et suivants du Code civil, qui sont en tout état de cause applicables et ce même en l'absence d'application ou en cas d'exclusion de la garantie conventionnelle.

Lorsqu'il agit en garantie légale de conformité, le consommateur :

- bénéficie d'un délai de deux ans à compter de la délivrance du bien pour agir ;
- peut choisir entre la réparation ou le remplacement du bien, sous réserve des conditions de coût prévues par l'article L. 217-9 du code de la consommation ;
- est dispensé de rapporter la preuve de l'existence du défaut de conformité du bien durant les vingt-quatre mois suivant la délivrance du bien.

La garantie légale de conformité s'applique indépendamment de la garantie commerciale éventuellement consentie.

Le consommateur peut décider de mettre en œuvre la garantie contre les défauts cachés de la chose vendue au sens de l'article 1641 du Code civil ; dans cette hypothèse, il peut choisir entre la résolution de la vente ou une réduction du prix de vente conformément à l'article 1644 du Code civil.

Article L. 217-4 du Code de la consommation :

« Le vendeur livre un bien conforme au contrat et répond des défauts de conformité existant lors de la délivrance. Il répond également des défauts de conformité résultant de l'emballage, des instructions de montage ou de l'installation lorsque celle-ci a été mise à sa charge par le contrat ou a été réalisée sous sa responsabilité. »

Article L. 217-5 du Code de la consommation :

« Le bien est conforme au contrat : 1° S'il est propre à l'usage habituellement attendu d'un bien semblable et, le cas échéant :

- s'il correspond à la description donnée par le vendeur et possède les qualités que celui-ci a présentées à l'acheteur sous forme d'échantillon ou de modèle ;
- s'il présente les qualités qu'un acheteur peut légitimement attendre eu égard aux déclarations publiques faites par le vendeur, par le producteur ou par son représentant, notamment dans la publicité ou l'étiquetage;

2° Ou s'il présente les caractéristiques définies d'un commun accord par les parties ou est propre à tout usage spécial recherché par l'acheteur, porté à la connaissance du vendeur et que ce dernier a accepté. »

Article L. 217-12 du Code de la consommation :

« L'action résultant du défaut de conformité se prescrit par deux ans à compter de la délivrance du bien. »

Article L. 217-16 du Code de la consommation :

« Lorsque l'acheteur demande au vendeur, pendant le cours de la garantie commerciale qui lui a été consentie lors de l'acquisition ou de la réparation d'un bien meuble, une remise en état couverte par la garantie, toute période d'immobilisation d'au moins sept jours vient s'ajouter à la durée de la garantie qui restait à courir. Cette période court à compter de la demande d'intervention de l'acheteur ou de la mise à disposition pour réparation du bien en cause, si cette mise à disposition est postérieure à la demande d'intervention. »

Article 1641 du Code de la consommation :

« Le vendeur est tenu de la garantie à raison des défauts cachés de la chose vendue qui la rendent impropre à l'usage auquel on la destine, ou qui diminuent tellement cet usage que l'acheteur ne l'aurait pas acquise, ou n'en aurait donné qu'un moindre prix, s'il les avait connus. »

Article 1648, al.1er du Code civil :

« L'action résultant des vices rédhibitoires doit être intentée par l'acquéreur dans un délai de deux ans à compter de la découverte du vice. »

the Sage Smart Tea Infuser™



NL SNESTARTGIDS

Sage®



Inhoud

2	Belangrijke veiligheidsmaatregelen
6	Onderdelen
8	Functies
10	Onderhoud en reiniging
12	Problemen oplossen
13	Garantie

SAGE® STELT VEILIGHEID VOOROP

Bij Sage® gaan we zeer veiligheidsbewust te werk. Bij het ontwerpen en produceren van onze consumentenproducten staat de veiligheid van onze gewaardeerde klanten voorop. Daarnaast vragen wij u voorzichtig om te gaan met elektrische apparaten en de volgende voorzorgsmaatregelen in acht te nemen.

BELANGRIJKE VEILIGHEIDS- MAATREGELEN

**LEES ALLE INSTRUCTIES
VÓÓR GEBRUIK EN BEWAAR
DEZE VOOR TOEKOMSTIGE
NASLAG**

- Een downloadbare versie van dit document is ook beschikbaar op sageappliances.com
- Zorg er vóór het eerste gebruik voor dat uw elektriciteitsvoorziening dezelfde is als die op het label aan de onderkant van het apparaat. Neem contact op met uw plaatselijke elektriciteitsbedrijf als u zorgen heeft.
- Verwijder voor het eerste gebruik het verpakkingsmateriaal en gooi het op een veilige manier weg.
- Gooi het beschermkapje op de stekker op een veilige manier weg om verstikkingsgevaar bij jonge kinderen te voorkomen.
- Dit apparaat is speciaal ontworpen voor het verwarmen en koken van kwalitatief goed drinkwater en thee. Dit product mag in geen geval worden gebruikt om andere vloeistoffen of etenswaren op te warmen of te koken.
- Plaats het apparaat op een stabiele, hittebestendige, vlakke, droge ondergrond, weg van de rand, en gebruik het niet op of in de buurt van een warmtebron zoals een kookplaat, oven of gasfornuis.
- Plaats het apparaat niet op of in de buurt van een heet gasfornuis of elektrische kookplaat, of waar het in aanraking kan komen met een hete oven.

- Plaats het apparaat op ten minste 20 cm van muren of warmte-/stoomgevoelige materialen en zorg voor voldoende ruimte voor luchtcirculatie, zowel boven als rondom het apparaat.
- Gebruik de waterkoker niet op het afgedruipgedeelte van een gootsteen.
- Controleer altijd of het apparaat op de juiste manier in elkaar is gezet voordat u het aansluit op een stopcontact en gebruikt. Volg de instructies in deze gids.
- Het wordt aanbevolen een aardlekschakelaar te installeren voor extra veiligheid bij het gebruik van alle elektrische apparaten. Veiligheidsschakelaars met een nominale bedrijfsstroom van niet meer dan 30 mA worden aanbevolen. Raadpleeg een elektricien voor professioneel advies.
- De glazen kan mag alleen met de meegeleverde basis worden gebruikt. Gebruik de kan niet op een gasfornuis.
- Dit apparaat is niet ontworpen om te worden bediend met behulp van een externe timer of een afzonderlijk afstandsbedieningssysteem.
- Hete oppervlakken niet aanraken. Gebruik de handvaten om de glazen kan op te tillen en te verplaatsen.
- Zorg voor gebruik dat het deksel goed op de glazen kan zit.
- Plaats niets bovenop het deksel.
- Open het deksel van de kan niet terwijl het apparaat in werking is aangezien u zich kunt verbranden.
- Wees uiterst voorzichtig wanneer u de glazen kan met hete vloeistof verplaatst.
- Wees voorzichtig wanneer u water uit de glazen kan giet aangezien kokend water en stoom brandwonden kunnen veroorzaken. Giet het water niet te snel uit.
- Om brandwonden te voorkomen, vult u de glazen kan nooit voorbij de MAX-markering.
- Gebruik het apparaat niet zonder dat er water in zit. Vul de glazen kan altijd ten minste tot de MIN-markering. Als u de waterkoker zonder water gebruikt, schakelt de droogkookbeveiliging het apparaat automatisch uit. Laat het apparaat afkoelen voordat u het opnieuw vult.



WAARSCHUWING

- Haal de glazen kan niet van de basis tijdens het verwarmen of wanneer het mandje wordt gebruikt. Zorg dat het apparaat de cyclus voor waterverwarming of thee-infusie heeft voltooid voordat u de glazen kan van de basis haalt.

- Het gebruik van accessoires die niet door Sage® worden aanbevolen, kan leiden tot brand, elektrische schokken of persoonlijk letsel.
- Zorg er altijd voor dat het apparaat UIT staat, de stekker uit het stopcontact is gehaald en het apparaat is afgekoeld voordat u het schoonmaakt, probeert te verplaatsen of opbergt.
- Haal de stekker uit het stopcontact wanneer het apparaat niet in gebruik is of onbeheerd wordt achtergelaten.
- Laat het apparaat tussen infusiecycli afkoelen.
- Houd de glazen kan schoon. Volg de reinigingsinstructies in deze gids.
- Gebruik geen agressieve schuurmiddelen of bijtende reinigingsmiddelen wanneer u dit apparaat schoonmaakt.
- Laat kinderen niet met het apparaat spelen.
- De glazen kan is speciaal behandeld om deze sterker, duurzamer en veiliger te maken dan gewoon glas, maar de kan is niet onbreekbaar. Als de kan valt of extreem hard wordt geraakt, kan deze breken of verzwakken en op een later tijdstip zonder duidelijke oorzaak verbrijzelen.
- Onderhoud anders dan reiniging moet worden uitgevoerd door een geautoriseerd Sage®-servicecentrum.
- Dit apparaat kan worden gebruikt door kinderen van 8 jaar en ouder en personen met beperkte fysieke, zintuiglijke of mentale capaciteiten of een gebrek aan ervaring en kennis, mits zij worden begeleid of instructies hebben gekregen over het veilige gebruik van het apparaat en de gevaren ervan begrijpen.
- Laat kinderen niet met het apparaat spelen.
- Zet het apparaat altijd UIT en haal de stekker uit het stopcontact wanneer het apparaat niet in gebruik is.



WAARSCHUWING

- Was de buitenkant van de kan niet af onder stromend water.



BELANGRIJKE VEILIGHEIDS- MAATREGELEN VOOR ALLE ELEKTRISCHE APPARATEN

- Wikkel het netsnoer volledig af voordat u het apparaat gebruikt.
- Dit apparaat is alleen voor huishoudelijk gebruik. Gebruik het apparaat alleen voor het beoogde gebruik. Gebruik het niet in bewegende voertuigen of boten. Gebruik het niet buitenshuis. Verkeerd gebruik kan tot letsel leiden.
- Zorg dat het netsnoer niet over de rand van een aanrecht of tafel hangt, in aanraking komt met hete oppervlakken of in de knoop raakt.
- Wanneer het apparaat door kinderen of in de buurt van kinderen wordt gebruikt, is nauwlettend toezicht vereist.
- Reiniging van het apparaat mag niet door kinderen worden uitgevoerd, tenzij ze ten minste 8 jaar oud zijn en onder toezicht staan.
- Het apparaat en het snoer moeten buiten het bereik van kinderen jonger dan 8 jaar worden gehouden.

- Gebruik het apparaat niet als het netsnoer, de stekker of het apparaat op enigerlei wijze beschadigd is. Neem contact op met de klantenservice van Sage of ga naar sageappliances.com als er sprake is van schade en er ander onderhoud dan reiniging is vereist.



WAARSCHUWING

- Gebruik het apparaat niet op een schuin oppervlak.
- Verplaats het apparaat niet wanneer het is ingeschakeld.



Het weergegeven symbool geeft aan dat dit apparaat  niet met het normale huishoudelijke afval mag worden weggegooid. Het moet naar een geschikt plaatselijk afvalverwerkingscentrum worden gebracht of naar een dealer die deze service biedt. Neem voor meer informatie contact op met uw gemeente.

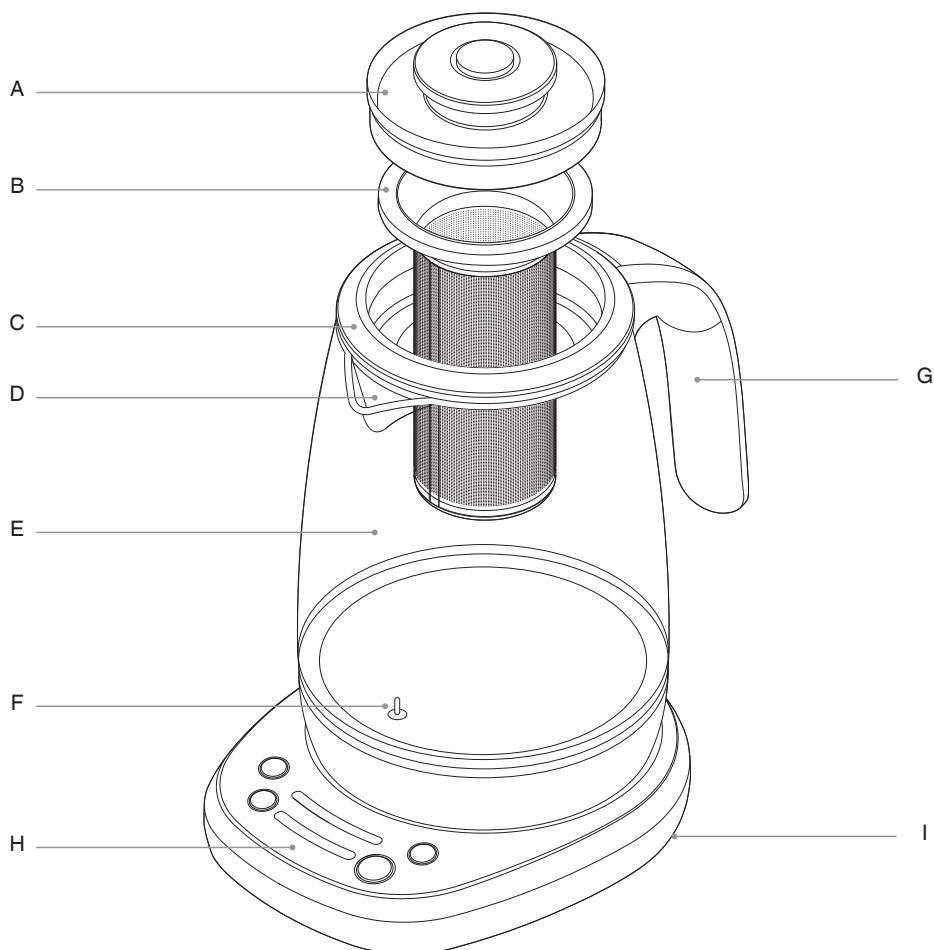


Vermijd elektrische schokken: dompel de onderkant van de glazen kan, de basis, het netsnoer of de stekker niet onder in water en zorg dat er geen vocht in contact komt met deze onderdelen. Zorg dat u geen water morst op de connector van de basis. Dompel de glazen kan of de basis niet onder tijdens het reinigen.

Bewaar deze instructies



Onderdelen



A. Binnendeksel

B. Theemandje van roestvrij staal

C. Buitenste deksel

D. Tuit

E. Glazen kan

F. Temperatuursensor

G. Handvat

H. Basis

I. Snoeropbergruimte

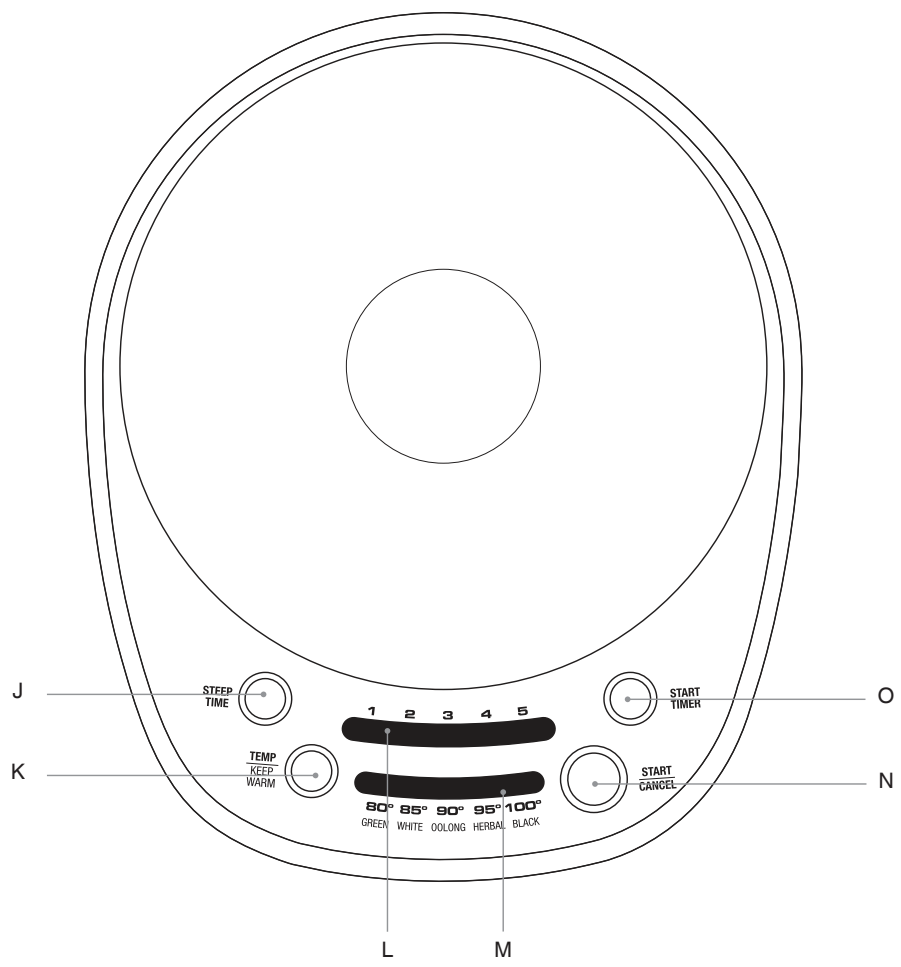
BPA-vrije materialen*

* Sage maakt zijn BPA-vrije claim voor dit product op basis van onafhankelijke laboratoriumtests die zijn uitgevoerd voor alle kunststofmaterialen voor contact met levensmiddelen van het product volgens EU-verordening van de Commissie nr. 10/2011.



Classificatiegegevens

220 – 240 V ~ 50 - 60 Hz 1700 - 2000 W



- J. Knop STEEP TIME
- K. Knop TEMP/KEEP WARM
- L. Indicator voor infusieduur

- M. Indicator voor temperatuur/theesoort
- N. Knop START/CANCEL
- O. Knop START TIMER

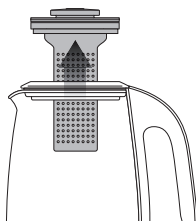


Funcities

VOOR HET EERSTE GEBRUIK

Om stof en resten van beschermende stoffen van het fabricageproces te verwijderen, is het raadzaam een kookcyclus uit te voeren en het water weg te gieten.

1. Verwijder verpakkingsmaterialen, promotielabels en tape van de Sage Smart Tea Infuser™ en gooi ze op een veilige manier weg.
2. Til het binnendecksel samen met het theemandje op. Verwijder vervolgens het buitenste deksel.
3. Was het buitenste deksel van de kan in warm zeepsop met een zachte spons, spoel en droog grondig af.



WAARSCHUWING

Dompel de basis van de glazen kan, de basis van het apparaat, het netsnoer of de stekker niet onder in water en zorg ervoor dat er geen vocht in contact komt met deze onderdelen.

4. Plaats de basis op een vlak, droog oppervlak.
5. Wikkel het netsnoer volledig af en sluit de stekker aan op een geaard stopcontact.



WAARSCHUWING

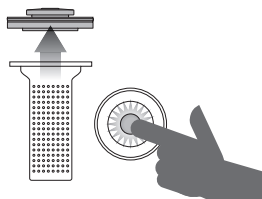
Vul de glazen kan nooit met gekoeld water. Laat de Sage Smart Tea Infuser™ afkoelen voordat u deze bijvult.



WAARSCHUWING

Als de kan tot voorbij de MAX-markering wordt gevuld, kan dit tot ernstige brandwonden of letsels leiden als gevolg van overlopend heet of kokend water. Als de kan niet tot de MIN-markering wordt gevuld, zal de Sage Smart Tea Infuser™ zichzelf uitschakelen voordat het water kookt of de geselecteerde temperatuur heeft bereikt.

6. Maak het theemandje los van het binnendecksel door op de knop te drukken.



7. Vul de glazen kan, zonder het theemandje, tot de WATER MAX-markering en zet de kan vervolgens op de basis. Zorg dat het deksel goed op de glazen kan zit. De Sage Smart Tea Infuser™ piept en de knoppen gaan branden.
8. Selecteer 100° C op de temperatuurindicator door op de knop TEMP/KEEP WARM te drukken, en schakel de timer uit door meermaals op de knop STEEP TIME te drukken. Druk vervolgens op de knop START/CANCEL om te starten.
9. Zodra het water 100° C bereikt, piept het apparaat 3 keer.
10. Giet het water weg. De Sage Smart Tea Infuser™ is nu klaar voor gebruik.

THEE ZETTEN

1. Vul de glazen kan met de gewenste hoeveelheid water. Zorg dat u de kan niet voorbij de MAX-markering vult. Plaats het buitenste deksel, het theemandje en het binnendecksel op hun plaats.
2. Selecteer de theesoort door op de knop TEMP/KEEP WARM te drukken. De theesoort bepaalt de infusietemperatuur en -duur op basis van gemiddelde sterkte. Druk op STEEP TIME om de

infusiefunctie in te schakelen. De Sage Smart Tea Infuser™ heeft 5 vooraf ingestelde theesoorten die worden aanbevolen voor een optimale bereiding van groene thee, witte thee, oolong, kruidenthee en zwarte thee.

Theesoort		Groen	Wit	Oolong	Herbal	Zwart
INGESTELDE INFUSIETEMP.		80°C	85°C	90°C	95°C	100°C
Infusie- duur* (minuten)	Licht	2	2	2	3	1
	Gemiddeld*	3	3	3	4	2
	Sterk	4	4	4	5	3

* De vooraf ingestelde infusieduur is gebaseerd op de gemiddelde sterkte, maar u kunt deze aanpassen aan uw smaak.



OPMERKING

Dit product is niet afgesteld voor commercieel of wetenschappelijk gebruik. Temperaturen kunnen met zo'n 3°C variëren, wat binnen het bereik ligt voor een optimale bereiding van elke theesoort.

3. Begin met verwarmen door op de knop START/CANCEL te drukken. De Sage Smart Tea Infuser™ begint te verwarmen.
4. Zodra het water 100°C bereikt, piept het apparaat 3 keer. Open het deksel van het theemandje door op de ontgrendelingsknop te drukken en gebruik een theelepel (ongeveer 5 g) om het mandje met losse thee te vullen. Als algemene richtlijn gebruikt u 1 theelepel thee per kopje/250 ml water. Dit is echter afhankelijk van de instructies op de thee verpakking en uw persoonlijke voorkeur. Plaats het deksel van het theemandje terug.

Verhouding water tot thee

500 ml	2 theelepels
750 ml	3 theelepels
1000 ml	4 theelepels
1250 ml	5 theelepels
1500 ml	6 theelepels
1700 ml	7 theelepels

5. Begin de infusie door op de knop START TIMER te drukken. De timer is standaard ingesteld op gemiddelde sterkte, maar u kunt dit wijzigen door op de knop STEEP TIME te drukken.



OPMERKING

Temperatuur en tijd kunnen tijdens de verwarmings- of infusiecyclus worden gewijzigd.

6. Nadat de infusiecyclus is voltooid, piept de Sage Smart Tea Infuser™ 3 keer. Til het binnendecksel samen met het theemandje op en maak het los. Sluit vervolgens het deksel. Uw thee is nu klaar. De Sage Smart Tea Infuser™ houdt de thee warm totdat u deze wilt drinken.

KEEP WARM

Als KEEP WARM vóór verhitting wordt geselecteerd, wordt de gezette thee 30 minuten warm gehouden. Wanneer de glazen kan van de basis wordt gehaald, wordt de warmhoudfunctie geannuleerd.

Om deze opnieuw te activeren voor 30 minuten, plaatst u de glazen kan met de resterende thee terug op de basis en drukt u op KEEP WARM. Het lampje licht op wanneer de functie is geselecteerd.

KOKEND WATER

Verwijder het theemandje en vul de glazen kan met water. Sluit de kan met het deksel. Selecteer de gewenste temperatuur door op de knop TEMP/KEEP WARM te drukken en schakel de timer uit door op de knop STEEP TIME te drukken. Druk op de knop START/CANCEL om te starten. Zodra het apparaat klaar is, piept het 3 keer.

PIEPVOLUME VERANDEREN

Houd de knop STEEP TIME en de knop TEMP/KEEP WARM tegelijkertijd gedurende 2 seconden ingedrukt om de modus voor volumeaanpassing te activeren. Druk op de knop STEEP TIME om OFF (dempen), 3 (standaard) en 5 (luider) te kiezen. Als u wilt opslaan en afsluiten, drukt u tegelijkertijd op de twee knoppen of wacht u 7 seconden.



Onderhoud en reiniging

DE GLAZEN KAN REINIGEN

- Maak de glazen kan na elk gebruik leeg. Laat gezette thee niet de hele nacht in de kan staan. Laat de glazen kan volledig afkoelen voordat u deze schoonmaakt.
- Veeg de binnenkant van de glazen kan schoon met een zachte, vochtige doek of spoel om met warm water.
- Veeg de buitenkant van de glazen kan schoon met een zachte, vochtige doek.



WAARSCHUWING

Dompel de glazen kan nooit onder of was de buitenkant nooit onder stromend water.



OPMERKING

Gebruik geen chemicaliën, staalwol of schurende schoonmaakmiddelen om de binnenkant of de buitenkant van de glazen kan te reinigen aangezien deze krassen op het oppervlak kunnen veroorzaken.

- Om de opeenhoping van tannine, de scherpe chemische stof in thee, te verwijderen, vult u de glazen kan met water tot aan de MAX-markering en brengt u het water aan de kook. Laat het water één minuut afkoelen. Voeg de inhoud van een zakje Tea Maker Cleaner toe (beschikbaar via de website van Sage) en laat 5 minuten staan. Giet de Sage Smart Tea Infuser™ leeg en vul de kan opnieuw met zuiver water, en breng het aan de kook. Herhaal deze stap. Giet de Sage Smart Tea Infuser™ leeg en reinig deze grondig.

- Droog vóór gebruik grondig af met een zachte, pluisvrije doek.



OPMERKING

Door regelmatig gebruik kan kalkaanslag ontstaan, wat de prestaties en levensduur van de Sage Smart Tea Infuser™ na verloop van tijd beïnvloedt. Kalk en fosfaat kunnen uw Sage Smart Tea Infuser™ beschadigen. Kalk is een onschadelijk mineraal dat eruitziet als een witte of roestkleurige aanslag op de zijanten en basis van de glazen kan. Fosfaat is daarentegen onzichtbaar, maar kan het water troebel maken wanneer het wordt verwarmd. Om schade door kalkaanslag in uw Sage Smart Tea Infuser™ te voorkomen, moet u de glazen kan regelmatig ontkalken. Gebruik de Sage Descaler (verkrijgbaar op de Sage-website) en volg de instructies.



WAARSCHUWING

Veroorzaakt huidirritatie. Na het werken met dit product handen grondig wassen. Beschermende handschoenen/ beschermende kleding/oogbescherming/ gelaatsbescherming dragen.



OPMERKING

Laat alle onderdelen van de Sage Smart Tea Infuser™ Compact volledig afkoelen voordat u het apparaat uit elkaar haalt en schoonmaakt.



WAARSCHUWING

Dompel de basis van de glazen kan, de basis van het apparaat, het netsnoer of de stekker niet onder in water en zorg ervoor dat er geen vocht in contact komt met deze onderdelen.



HET BUITENSTE DEKSEL REINIGEN

- Was het buitenste deksel in warm zeepsop met een zachte spons, spoel en droog grondig af.
- U kunt het buitenste deksel ook in de vaatwasser afwassen.
- Laat alle oppervlakken voorafgaand aan gebruik grondig drogen.

HET MANDJE REINIGEN

- Was het theemandje en het binnendeksel in warm zeepsop met een zachte spons, en spoel en droog alles grondig af.
- Een niet-schurend vloeibaar schoonmaakmiddel of milde spray kan gebruikt worden om hardnekkige vlekken op het mandje te verwijderen. Breng voor het reinigen het schoonmaakmiddel aan op de spons, niet rechtstreeks op het oppervlak van het mandje.
- Laat alle oppervlakken goed drogen voordat u ze gebruikt.

DE BASIS VAN HET APPARAAT REINIGEN

- Veeg de basis van het apparaat schoon met een zachte, vochtige spons.
- Laat alle oppervlakken grondig drogen voordat u de stekker in het stopcontact steekt.

OPBERGEN

- Zorg dat de Sage Smart Tea Infuser™ uit staat en schoon en droog is voordat u deze opbergt.
- Zorg ervoor dat het theemandje goed in elkaar is gezet.
- Zorg dat het deksel van de glazen kan goed op de kan zit.
- Wikkel het netsnoer om de opbergruimte onder de basis.
- Bewaar de Sage Smart Tea Infuser™ rechtop op de basis van het apparaat. Plaats niets bovenop het apparaat.



Problemen oplossen

PROBLEEM	Wat te doen
De Sage Smart Tea Infuser™ gaat niet aan	<ul style="list-style-type: none">• Controleer of de stekker goed op het stopcontact is aangesloten.• Steek de stekker in een apart stopcontact.• Steek de stekker in een ander stopcontact.• Stel de stroomonderbreker indien nodig opnieuw in.• Voor extra veiligheid is de Sage Smart Tea Infuser™ uitgerust met een thermische uitschakeling. In geval van ernstige oververhitting wordt de Sage Smart Tea Infuser™ automatisch uitgeschakeld om verdere schade te voorkomen.
De Sage Smart Tea Infuser™ werkt niet	<ul style="list-style-type: none">• Controleer of de glazen kan stevig op de basis staat.
Ik kan een bepaalde functie niet selecteren	<ul style="list-style-type: none">• Bepaalde functies kunnen niet worden geselecteerd of gewijzigd tijdens de verwarmings- of infusiecyclus. De led-lampjes rond de knoppen geven aan welke functies beschikbaar zijn.
Na het koken van water verschijnen er belletjes rond de temperatuursensor	<ul style="list-style-type: none">• Dit is normaal voor de functionaliteit van de Sage Smart Tea Infuser™.
Mijn thee smaakt te zwak of te sterk	<ul style="list-style-type: none">• Voer een reinigingscyclus uit volgens de instructies in de handleiding.• Volg de reinigingsinstructies in deze gids.



Garantie

BEPERKTE GARANTIE VAN 2 JAAR

Sage Appliances biedt een garantie op dit product voor huishoudelijk gebruik in genoemde gebieden gedurende 2 jaar vanaf de datum van aankoop tegen defecten veroorzaakt door gebrekkige afwerking en materialen. Gedurende deze garantieperiode zal Sage Appliances defecte producten repareren, vervangen of terugbetalen (naar eigen goeddunken van Sage Appliances).

Alle wettelijke garantierechten onder de toepasselijke nationale wetgeving worden gerespecteerd en onze garantie doet geen afbreuk aan deze rechten. Voor de algemene voorwaarden van de garantie, evenals instructies over hoe u aanspraak maakt op de garantie, gaat u naar www.sageappliances.com.



Opmerkingen

the Sage Smart Tea Infuser™



IT GUIDA RAPIDA

Sage®



Sommario

- 2 Norme di sicurezza importanti
- 7 Componenti
- 9 Funzioni
- 11 Manutenzione e pulizia
- 13 Risoluzione dei problemi
- 14 Garanzia

SAGE® CONSIGLIA: LA SICUREZZA PRIMA DI TUTTO

In Sage® abbiamo molto a cuore la sicurezza. Creiamo e commercializziamo prodotti di consumo tenendo sempre presente la sicurezza dei nostri clienti. Inoltre, invitiamo i clienti a prestare molta attenzione durante l'utilizzo degli apparecchi elettrici e a osservare le seguenti precauzioni.

NORME DI SICUREZZA IMPORTANTI

LEGGERE TUTTE LE ISTRUZIONI PRIMA DELL'USO E CONSERVARLE PER CONSULTARLE IN FUTURO

- Sul sito sageappliances.com è disponibile anche una versione scaricabile di questo documento.
- Prima di usare l'apparecchio per la prima volta, verificare che la tensione della rete corrisponda a quella indicata sull'etichetta dei valori nominali sotto il dispositivo. In caso di dubbi, contattare l'azienda fornitrice di elettricità locale.
- Rimuovere e smaltire in sicurezza tutti i materiali di imballaggio prima di utilizzare l'apparecchio per la prima volta.
- Per eliminare il rischio di soffocamento per i bambini, smaltire in sicurezza la copertura protettiva della spina.
- Questo apparecchio è stato progettato specificamente per riscaldare e bollire solo acqua potabile e tè. In nessun caso questo prodotto deve essere utilizzato per riscaldare o bollire altri liquidi o prodotti alimentari.
- Posizionare l'elettrodomestico su una superficie stabile, resistente al calore, piana e asciutta, lontano dal bordo della superficie. Utilizzare l'apparecchio lontano da fonti di calore come piastre elettriche, fornelli a gas o forni.
- Non collocare l'apparecchio sopra o vicino a un fornello a gas caldo, a un elemento elettrico o dove potrebbe

- entrare in contatto con un forno riscaldato.
- Posizionare l'apparecchio ad almeno 20 cm da pareti o materiali sensibili al calore e al vapore e lasciare uno spazio adeguato sopra e su tutti i lati per la circolazione dell'aria.
 - Evitare di usare il bollitore sul pianale del lavello.
 - Verificare sempre che l'elettrodomestico sia montato correttamente prima di collegarlo a una presa di corrente e avviarlo. Seguire le istruzioni fornite in questo libretto.
 - Si consiglia l'installazione di un interruttore salvavita per una maggiore sicurezza durante l'utilizzo di tutti i dispositivi elettrici. Si consiglia l'uso di un salvavita con corrente operativa nominale non superiore a 30 mA. Rivolgersi a un elettricista per un parere professionale.
 - La brocca di vetro deve essere usata solo con la base di alimentazione in dotazione. Non utilizzare sul piano cottura.
 - L'apparecchio non è destinato ad essere utilizzato per mezzo di un timer esterno o di un sistema di controllo remoto separato.
 - Evitare il contatto con le superfici calde. Usare il manico per sollevare e trasportare la brocca di vetro.
 - Montare saldamente il coperchio sulla brocca di vetro prima dell'uso.
 - Non collocare nessun oggetto sul coperchio.
 - Non sollevare il coperchio della brocca durante il funzionamento per evitare ustioni.
 - Usare estrema cautela quando si sposta la brocca di vetro contenente liquido bollente.
 - Prestare attenzione quando si versa acqua dalla brocca di vetro perché l'acqua bollente e il vapore potrebbero provocare ustioni. Non versare l'acqua troppo velocemente.
 - Per evitare ustioni, non riempire mai la brocca di vetro oltre il segno "MAX".
 - Non utilizzare l'elettrodomestico senza acqua. Riempire sempre la brocca di vetro almeno fino al segno "MIN". Se l'apparecchio viene utilizzato senza acqua, la protezione boil-dry spegnerà automaticamente l'alimentazione. Lasciare raffreddare l'elettrodomestico prima di riempirlo nuovamente.



ATTENZIONE

- Non rimuovere la brocca di vetro dalla base di alimentazione durante il riscaldamento o quando il filtro è in funzione. Assicurarsi che l'apparecchio abbia completato

il riscaldamento dell'acqua o il ciclo di infusione del tè prima di rimuovere la brocca di vetro dalla base di alimentazione.

- L'utilizzo di accessori non consigliati da Sage® può provocare incendi, scosse elettriche o lesioni.
- Prima di pulire, spostare o riporre l'elettrodomestico, assicurarsi sempre che sia spento e scollegato dalla presa di alimentazione e che si sia raffreddato a sufficienza.
- Quando l'apparecchio non è in uso o è lasciato incustodito, scollegarlo dalla presa di corrente.
- Lasciare raffreddare l'elettrodomestico tra un ciclo di infusione e il successivo.
- Mantenere pulita la brocca di vetro. Seguire le istruzioni di pulizia fornite in questo libretto.
- Non utilizzare prodotti abrasivi o detergenti caustici per pulire questo apparecchio.
- Non lasciare che i bambini giochino con l'elettrodomestico.
- La brocca di vetro è stata trattata appositamente per renderla più robusta, più resistente e più sicura del vetro comune, ma non è infrangibile. Se fatta cadere o colpita con forza, può rompersi o indebolirsi e potrebbe in un secondo momento

frantumarsi in piccoli pezzi senza una causa apparente.

- Qualsiasi operazione di manutenzione diversa dalla pulizia deve essere eseguita da un centro assistenza Sage® autorizzato.
- L'elettrodomestico può essere utilizzato da bambini di età superiore a 8 anni e da persone con ridotte capacità motorie, sensoriali o mentali o prive di esperienza o conoscenza dell'elettrodomestico stesso, a condizione che lo utilizzino sotto la supervisione di qualcuno o secondo specifiche istruzioni ricevute in merito all'uso in sicurezza dell'elettrodomestico e che comprendano i rischi associati.
- Non lasciare che i bambini giochino con l'elettrodomestico.
- Quando l'elettrodomestico non è in uso, spostare sempre l'interruttore in posizione OFF, spegnere l'interruttore della presa di corrente e scollegare il cavo.



ATTENZIONE

- Non lavare l'esterno della brocca sotto l'acqua corrente.



NORME DI SICUREZZA IMPORTANTI PER TUTTI GLI ELETTRODOMESTICI

- Svolgere completamente il cavo prima dell'uso.
 - Questo apparecchio è destinato esclusivamente all'uso domestico. Non utilizzare per usi diversi da quello previsto. Non utilizzare su veicoli in movimento o barche. Non utilizzare all'aperto. L'uso non corretto potrebbe provocare lesioni.
 - Evitare che il cavo di alimentazione rimanga sospeso oltre il bordo di un tavolo o un banco, tocchi superfici calde o forni nodi.
 - È necessaria una stretta supervisione quando qualsiasi elettrodomestico è utilizzato da o vicino a bambini.
 - La pulizia dell'elettrodomestico può essere effettuata da bambini di età non inferiore a 8 anni e con la supervisione di un adulto.
 - Tenere l'elettrodomestico e il cavo fuori dalla portata dei bambini di età pari o inferiore agli 8 anni.
- Non utilizzare l'elettrodomestico se il cavo di alimentazione, la presa o l'elettrodomestico stesso subiscono qualsiasi tipo di danneggiamento. Se l'elettrodomestico è danneggiato o richiede un intervento di manutenzione diverso dalla pulizia, contattare il Servizio clienti Sage o visitare il sito [Web sageappliances.com](http://Web.sageappliances.com).



ATTENZIONE

- Non utilizzare l'elettrodomestico su una superficie inclinata.
- Non spostare l'elettrodomestico mentre è acceso.



Questo simbolo indica che l'apparecchio non può essere smaltito con i rifiuti domestici comuni. Deve

essere conferito presso un centro di smaltimento locale specializzato o presso un rivenditore che fornisce questo servizio. Per ulteriori informazioni, contattare l'ufficio comunale locale.



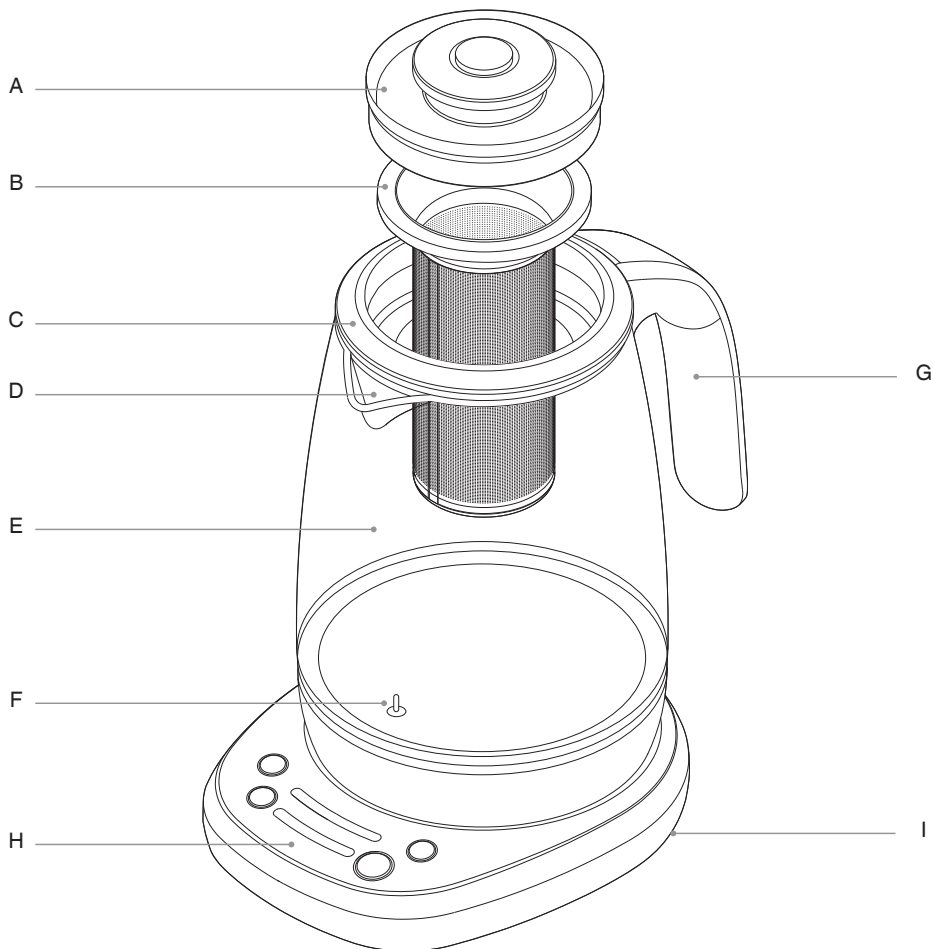
Per proteggersi da scosse elettriche, non immergere la base della brocca di vetro,

la base di alimentazione, il cavo di alimentazione o la spina di alimentazione in acqua ed evitare che l'umidità entri in contatto con queste parti. Evitare di versare acqua sul connettore della base di alimentazione. Durante la pulizia, non immergere la brocca di vetro o la base di alimentazione in acqua.

CONSERVARE QUESTE ISTRUZIONI



Componenti



A. Coperchio interno

B. Filtro per tè in acciaio inossidabile

C. Coperchio esterno

D. Beccuccio di uscita

E. Brocca in vetro

F. Sensore di temperatura a immersione

G. Manico

H. Base di alimentazione

I. Alloggiamento del cavo

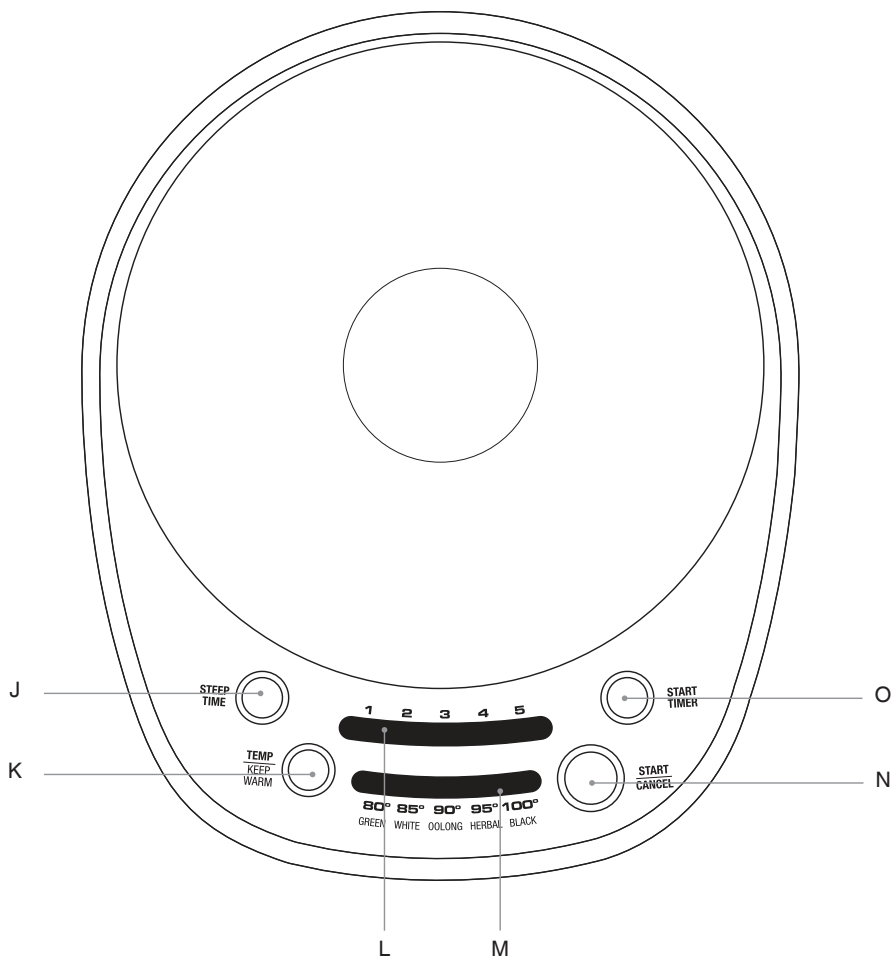
Materiali BPA FREE*

* Sage dichiara questo prodotto BPA Free sulla base di test di laboratorio indipendenti eseguiti per tutti i materiali in plastica del prodotto che entrano a contatto con gli alimenti in conformità al regolamento della Commissione Europea n. 10/2011.



Informazioni sui valori nominali

220–240 V ~ 50–60 Hz 1700–2000 W



J. Pulsante STEEP TIME (tempo di infusione)

K. Pulsante TEMP/KEEP WARM (temperatura/mantieni caldo)

L. Indicatore tempo di infusione

M. Indicatore temperatura/tipo di tè

N. Pulsante START/CANCEL (avvia/annulla)

O. Pulsante START TIMER (avvia timer)

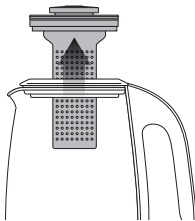


Funzioni

PREPARAZIONE AL PRIMO UTILIZZO

Per rimuovere polvere e residui di materiali protettivi del processo di produzione, si raccomanda di eseguire un ciclo di ebollizione e quindi di eliminare l'acqua.

1. Rimuovere e smaltire in sicurezza tutti i materiali di imballaggio e le etichette promozionali da the Sage Smart Tea Infuser™.
2. Sollevare il coperchio interno con il filtro. Quindi rimuovere il coperchio esterno.
3. Lavare il coperchio esterno, il filtro per il tè e il coperchio interno con acqua tiepida e sapone usando una spugna morbida, quindi sciacquare e asciugare a fondo.



ATTENZIONE

Non immergere mai la base della brocca di vetro, la base di alimentazione, il cavo o la spina di alimentazione in acqua ed evitare che l'umidità entri in contatto con queste parti.

4. Posizionare la base di alimentazione su una superficie piana e asciutta.
5. Srotolare completamente il cavo di alimentazione e inserire la spina in una presa a muro con messa a terra.



ATTENZIONE

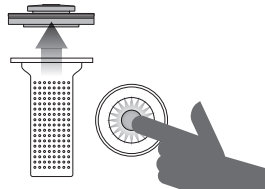
Non riempire la brocca di vetro con acqua troppo fredda. Lasciare raffreddare the Sage Smart Tea Infuser™ prima di riempirla nuovamente.



ATTENZIONE

Riempire oltre il segno MAX può provocare gravi ustioni o lesioni a causa del traboccamento di acqua calda o bollente. Una quantità di acqua inferiore al livello indicato dal segno MIN causerà lo spegnimento di the Sage Smart Tea Infuser™ prima dell'ebollizione o del raggiungimento della temperatura desiderata.

6. Staccare il filtro del tè dal coperchio interno premendo il pulsante.



7. Dopo aver rimosso il filtro del tè, riempire d'acqua la brocca di vetro fino al segno MAX e posizionarla sulla base di alimentazione. Montare saldamente il coperchio sulla brocca di vetro. The Sage Smart Tea Infuser™ emetterà un segnale acustico e i pulsanti si illumineranno.
8. Selezionare "100 °C" sull'indicatore di temperatura premendo il pulsante TEMP/KEEP WARM (temperatura/mantieni caldo), quindi spegnere il timer premendo il pulsante STEEP TIME (tempo di infusione) ripetutamente. Infine, premere il pulsante START/CANCEL (avvia/annulla) per iniziare.
9. Quando l'acqua raggiunge i 100 °C, emetterà 3 segnali acustici.
10. Eliminare l'acqua. The Sage Smart Tea Infuser™ è pronta per l'uso.

PREPARARE IL TÈ

1. Riempire la brocca di vetro con la quantità d'acqua desiderata. Assicurarsi di non riempirla oltre il segno MAX. Inserire il coperchio esterno, il filtro per il tè e il coperchio interno.
2. Selezionare il tipo di tè premendo il pulsante TEMP/KEEP WARM (temperatura/mantieni caldo). Il tipo di tè determina la temperatura e il tempo di infusione, considerando un'intensità media. Premi TEMPO DI INFUSIONE per attivare la funzione di infusione. The Sage Smart Tea Infuser™ dispone di 5 preimpostazioni raccomandate per

l'infusione ottimale di tè verde, bianco, oolong, nero e tisane.

Tipo di tè		Verde	Bianco	Oolong	Tisana Nero
Temperatura di infusione preimpostata		80 °C	85 °C	90 °C	95 °C 100 °C
Tempo di infusione* (in min)	Leggero	2	2	2	3 1
	Medio*	3	3	3	4 2
	Forte	4	4	4	5 3

* Il tempo di infusione preimpostato si basa su un'intensità media; è possibile regolare l'impostazione in base alle proprie preferenze.



NOTA

Questo prodotto non è calibrato per uso commerciale o scientifico. Le temperature possono variare di +/- 3 °C, rientrando nell'intervallo per l'infusione ottimale di ogni varietà di tè.

- Iniziare a riscaldare l'acqua premendo il pulsante START/CANCEL (avvia/annulla). The Sage Smart Tea Infuser™ inizierà a scaldarsi.
- Quando l'acqua raggiunge la temperatura selezionata, la macchina emetterà 3 segnali acustici. Aprire il filtro del tè premendo l'apposito pulsante, quindi utilizzare un cucchiaino da tè (circa 5 g) per riempire il filtro con foglie di tè. Come riferimento generale, utilizzare 1 cucchiaino di foglie di tè per tazza/250 ml di acqua. Tale quantità dipende tuttavia dalle istruzioni specifiche riportate sulla confezione del tè e dal gusto personale. Riposizionare il coperchio del filtro per tè.

Rapporto acqua/quantità di tè

500 ml	2 cucchiaini da tè
750 ml	3 cucchiaini da tè
1000 ml	4 cucchiaini da tè
1250 ml	5 cucchiaini da tè
1500 ml	6 cucchiaini da tè
1700 ml	7 cucchiaini da tè

- Premere il pulsante START TIMER (avvia timer) per iniziare il calcolo del tempo di infusione. Il timer è preimpostato per ottenere un'intensità media, ma è possibile modificare le impostazioni premendo il pulsante STEEP TIME (tempo di infusione).



NOTA

È possibile modificare temperatura e tempo di infusione durante il riscaldamento o il ciclo di infusione.

- Una volta terminato il ciclo di infusione, the Sage Smart Tea Infuser™ emetterà 3 segnali acustici. Sollevare il coperchio interno con il filtro, quindi rimuovere il filtro del tè e chiudere il coperchio. Il tè è pronto per essere gustato. The Sage Smart Tea Infuser™ manterrà il tè caldo fino al momento di versarlo.

KEEP WARM (MANTIENI CALDO)

Se selezionata prima del riscaldamento, la funzione KEEP WARM (mantieni caldo) rimarrà attiva per 30 minuti dopo la preparazione del tè. Se la brocca di vetro viene rimossa dalla base di alimentazione, la funzione KEEP WARM (mantieni caldo) si disattiverà.

Per riattivarla per altri 30 minuti, posizionare la brocca di vetro con il tè rimanente sulla base di alimentazione e premere il pulsante KEEP WARM (mantieni caldo); la spia luminosa si accenderà quando la funzione è selezionata.

FAR BOLLIRE L'ACQUA

Rimuovere il filtro del tè e riempire d'acqua la brocca di vetro, quindi chiudere il coperchio. Selezionare la temperatura desiderata premendo il pulsante TEMP/KEEP WARM (temperatura/mantieni caldo) e spegnere il timer premendo il pulsante STEEP TIME (tempo di infusione). Premere il pulsante START/CANCEL (avvia/annulla) per iniziare. Quando l'acqua bolle, la macchina emetterà 3 segnali acustici.

MODIFICA DEL VOLUME DEL SEGNALE ACUSTICO

Tenere premuti i pulsanti STEEP TIME (tempo di infusione) e TEMP/KEEP WARM (temperatura/mantieni caldo) contemporaneamente per 2 secondi per accedere alla modalità di regolazione del volume. Premere il pulsante STEEP TIME (tempo di infusione) per scegliere tra OFF (muto), 3 (predefinito) e 5 (più forte). Per salvare l'impostazione e uscire, premere i due pulsanti insieme o attendere 7 secondi.



Manutenzione e pulizia

PULIRE LA BROCCA DI VETRO

- Svuotare la brocca di vetro dopo ogni utilizzo.
Non lasciare il tè già preparato all'interno della brocca durante la notte. Lasciare che la brocca di vetro si raffreddi completamente prima di procedere alla pulizia.
- Pulire l'interno della brocca di vetro con una spugna morbida e umida o sciacquare con acqua tepida.
- Pulire l'esterno della brocca di vetro con un panno morbido umido.



ATTENZIONE

Non immergere o lavare mai l'esterno della brocca di vetro sotto l'acqua corrente.



NOTA

Non utilizzare prodotti chimici, lana d'acciaio o detersivi abrasivi per pulire l'interno o l'esterno della brocca di vetro, poiché potrebbero graffiare la superficie.

- Per rimuovere i residui di tannino, la sostanza chimica con proprietà astringenti contenuta nel tè, riempire d'acqua la brocca di vetro fino al segno MAX, quindi portare l'acqua a ebollizione e lasciarla raffreddare per un minuto. Aggiungere il contenuto della bustina di detersivo Tea Maker Cleaner (disponibile sul sito Web di Sage) e lasciare riposare per 5 minuti. Svuotare the Sage Smart Tea Infuser™, riempirla nuovamente di acqua e portarla a ebollizione. Ripetere questo passaggio. Svuotare the Sage Smart Tea Infuser™ e risciacquarla a fondo.

- Asciugare accuratamente con un panno morbido che non lascia pelucchi prima di utilizzare di nuovo.



NOTA

Con l'uso regolare dell'elettrodomestico, l'accumulo di calcare può influire sulle prestazioni e sulla durata di the Sage Smart Tea Infuser™. Ossido e fosfato di calcio sono tipi comuni di calcare che possono danneggiare the Sage Smart Tea Infuser™. L'ossido di calcio è un minerale innocuo che si presenta come un sedimento color ruggine o bianco sulle superfici interne delle pareti e della base della brocca di vetro. Il fosfato di calcio non è visibile a occhio nudo, tuttavia può far apparire l'acqua torbida quando viene riscaldata. Per impedire che il calcare danneggi the Sage Smart Tea Infuser™, assicurarsi di decalcificare regolarmente la brocca di vetro. Utilizzare l'agente decalcificante "the Descaler" (disponibile sul sito Web di Sage) e seguire le istruzioni.



ATTENZIONE

Provoca irritazione cutanea. Lavare accuratamente le mani dopo l'uso. Indossare guanti/indumenti protettivi/Proteggere gli occhi/il viso.



NOTA

Lasciare raffreddare completamente tutti i componenti di the Sage Smart Tea Infuser™ prima di smontare e pulire l'apparecchio.



ATTENZIONE

Non immergere mai la base della brocca di vetro, la base di alimentazione cavo o la spina di alimentazione in acqua ed evitare che l'umidità entri in contatto con queste parti.



PULIRE IL COPERCHIO ESTERNO

- Lavare il coperchio esterno con acqua tiepida e sapone usando una spugna morbida, quindi sciacquare e asciugare a fondo.
- In alternativa, il coperchio esterno è lavabile in lavastoviglie.
- Lasciare asciugare completamente tutte le superfici prima di utilizzare nuovamente.

PULIRE IL FILTRO DEL TÈ

- Lavare il filtro e il coperchio del filtro con acqua tiepida e sapone usando una spugna morbida, quindi sciacquare e asciugare a fondo.
- Per evitare la formazione di macchie sul filtro, è possibile utilizzare un detergente liquido non abrasivo o una soluzione spray neutra. Applicare il detergente sulla spugna, non direttamente sulla superficie del filtro, prima di procedere alla pulizia.
- Lasciare asciugare completamente tutte le superfici prima di utilizzare nuovamente.

PULIRE LA BASE DI ALIMENTAZIONE

- Pulire la base di alimentazione con una spugna morbida e umida.
- Lasciare asciugare completamente tutte le superfici prima di inserire la spina in una presa di corrente.

CONSERVAZIONE

- Assicurarsi che the Sage Smart Tea Infuser™ sia spenta, pulita e asciutta prima di riporla.
- Assicurarsi che il filtro del tè sia montato correttamente.
- Assicurarsi che il coperchio della brocca sia fissato saldamente sulla brocca di vetro.
- Avvolgere il cavo di alimentazione attorno all'alloggiamento per il cavo sotto la base di alimentazione.
- Riporre the Sage Smart Tea Infuser™ in posizione verticale sulla base di alimentazione. Non riporre nulla sopra l'apparecchio.



Risoluzione dei problemi

PROBLEMA	COME PROCEDERE
The Sage Smart Tea Infuser™ non si accende	<ul style="list-style-type: none"> • Verificare che la spina sia inserita correttamente nella presa di alimentazione. • Inserire la spina di alimentazione in una presa di corrente indipendente. • Inserire la spina di alimentazione in una presa di corrente diversa. • Resettare il quadro elettrico, se necessario. • Per maggiore sicurezza, the Sage Smart Tea Infuser™ è dotata di un dispositivo di sicurezza termica. In caso di surriscaldamento, the Sage Smart Tea Infuser™ si spegnerà automaticamente per evitare ulteriori danni.
The Sage Smart Tea Infuser™ non funziona	<ul style="list-style-type: none"> • Controllare che la brocca di vetro sia posizionata correttamente sulla base di alimentazione.
Non riesco a selezionare una determinata funzione	<ul style="list-style-type: none"> • Alcune funzioni non possono essere selezionate o modificate durante il ciclo di riscaldamento o di infusione. Gli indicatori a LED intorno ai pulsanti indicano la disponibilità delle funzioni.
Dopo aver fatto bollire l'acqua, intorno al sensore di temperatura compaiono delle bolle	<ul style="list-style-type: none"> • Questo fa parte del normale funzionamento di the Sage Smart Tea Infuser™.
Il mio tè ha un sapore troppo blando o troppo forte	<ul style="list-style-type: none"> • Eseguire un ciclo di pulizia seguendo le istruzioni fornite in questo manuale. • Seguire le istruzioni di pulizia fornite in questo manuale.



Garanzia

GARANZIA LIMITATA DI 2 ANNI

Sage Appliances offre una garanzia per l'utilizzo domestico di questo prodotto in specifiche aree geografiche, per 2 anni dalla data di acquisto. La garanzia copre eventuali malfunzionamenti causati da difetti di fabbricazione o dei materiali. Durante il periodo coperto dalla garanzia, Sage Appliances sarà tenuta a riparare, sostituire o rimborsare l'importo corrispondente ai prodotti difettosi (a sola discrezione di Sage Appliances).

Tutti i diritti di garanzia previsti dalla legislazione nazionale applicabile verranno rispettati e non possono essere annullati dalla presente garanzia. Per i termini e le condizioni complete della garanzia e per istruzioni su come inviare una richiesta di risarcimento, visitare il sito www.sageappliances.com.

the Sage Smart Tea Infuser™



ES GUÍA RÁPIDA

Sage®



Índice

- 2 Medidas de seguridad importantes
- 7 Componentes
- 9 Funciones
- 11 Cuidado y limpieza
- 13 Resolución de problemas
- 14 Garantía

SAGE® RECOMIENDA SEGURIDAD ANTE TODO

En Sage® nos preocupa enormemente la seguridad. Para el diseño y la fabricación de nuestros productos de consumo tenemos en cuenta antes que nada la seguridad de nuestros clientes, como tú. También te rogamos que actúes cuidadosamente al usar cualquier aparato eléctrico y que tomes las precauciones siguientes.

MEDIDAS DE SEGURIDAD IMPORTANTES

LEE TODAS LAS INSTRUCCIONES ANTES DEL USO Y GUÁRDALAS

- Hay una versión de este documento disponible en sageappliances.com para descargar.
- Antes de usar el producto por primera vez, asegúrate de que la tensión de la toma de corriente coincida con la que figura en la etiqueta en la base del aparato. Si tienes alguna duda, ponte en contacto con tu compañía eléctrica local.
- Retira y desecha de forma apropiada los materiales de embalaje antes del primer uso.
- Para evitar riesgos de asfixia de niños pequeños, desecha correctamente la cubierta protectora del enchufe.
- Este aparato ha sido diseñado específicamente para calentar y hervir agua potable y té de calidad. Este producto no debe utilizarse en ningún caso para calentar o hervir otros líquidos o productos alimenticios.
- Coloca el aparato sobre una superficie estable, resistente al calor, nivelada y seca. No lo pongas muy cerca del borde ni cerca de una fuente de calor (por ejemplo, una placa de cocina eléctrica, un quemador de gas o un horno).
- No coloques el aparato en o cerca de un quemador de gas caliente, un elemento eléctrico o un lugar donde pueda entrar en contacto con un horno caliente.

- Coloca el aparato a una distancia mínima de 20 cm de las paredes o de materiales sensibles al calor/vapor y deja un espacio adecuado por encima y por todos los lados para que circule el aire.
- No operes el hervidor en el escurridor del fregadero.
- Asegúrate siempre de que el aparato esté bien montado antes de conectarlo a una toma de corriente y ponerlo en funcionamiento. Sigue las instrucciones indicadas en esta publicación.
- Se recomienda la instalación de un interruptor diferencial para ofrecer seguridad adicional al usar todos los aparatos eléctricos. Se recomienda usar interruptores de seguridad con una corriente de funcionamiento nominal de no más de 30 mA. Solicita asesoramiento profesional a un electricista.
- La jarra de vidrio solo debe utilizarse con la base de alimentación suministrada. No la uses sobre una hornilla.
- Este aparato no está diseñado para utilizarse junto con un temporizador externo ni con ningún otro sistema de control a distancia.
- No toques las superficies calientes. Utiliza el asa para levantar y transportar la jarra de vidrio.
- Fija firmemente la tapa de la jarra a la jarra de vidrio antes de usar el aparato.
- No coloques nada encima de la tapa.
- No abras la tapa de la jarra mientras está funcionando, ya que puedes quemarte.
- Se debe tener mucho cuidado al manipular la jarra de vidrio cuando contiene líquidos calientes.
- Ten cuidado cuando viertas agua de la jarra de vidrio, ya que podrías quemarte con el agua hirviendo y el vapor. No viertas el agua demasiado rápido.
- Para evitar quemaduras, nunca llenes la jarra de vidrio más allá de la marca “MAX”.
- No hagas funcionar el aparato sin agua. Llena siempre la jarra de vidrio hasta la marca “MIN” como mínimo. En caso de operarlo sin agua, la protección contra el hervido en seco desconectará la alimentación automáticamente. Deja que el aparato se enfríe antes de volver a llenarlo.



ADVERTENCIA

- No retires la jarra de vidrio de la base de alimentación durante el calentamiento o cuando el filtro de té esté en funcionamiento. Asegúrate de que el aparato haya completado

el ciclo de calentamiento de agua o de preparación de té antes de retirar la jarra de vidrio de la base de alimentación.

- El uso de accesorios no recomendados por Sage® puede provocar incendios, descargas eléctricas o lesiones a personas.
- Antes de limpiar, mover o guardar el aparato, asegúrate siempre de que esté APAGADO y desenchufado de la toma de corriente, y que se haya enfriado tras el uso.
- Cuando el aparato no está en uso o cuando se deja desatendido, desconecta el cable de alimentación de la toma de corriente de la pared.
- Deja que el aparato se enfríe antes de iniciar un nuevo ciclo de preparación de té.
- Mantén limpia la jarra de vidrio. Sigue las instrucciones de limpieza indicadas en esta publicación.
- No utilices productos abrasivos ni limpiadores cáusticos cuando limpies este aparato.
- Este aparato no se debe usar como un juguete.
- La jarra de vidrio ha sido especialmente diseñada para hacerla más fuerte, duradera y segura que el vidrio común,

sin embargo, no es irrompible. Si se cae o se golpea con fuerza, puede romperse o debilitarse, y más tarde podría quebrarse en muchos pedazos pequeños sin causa aparente.

- Cualquier tarea de mantenimiento que no sea de limpieza debe realizarla un centro de servicio autorizado de Sage®.
- El aparato puede ser utilizado por niños mayores de 8 años y personas con discapacidades físicas o mentales, o sin experiencia ni conocimientos de uso, siempre y cuando reciban supervisión o instrucciones para el uso seguro del dispositivo y comprendan los riesgos implicados.
- Este aparato no se debe usar como un juguete.
- Cuando no utilices el aparato, debe estar APAGADO y desenchufado de la toma de corriente.

 **ADVERTENCIA**

- No laves el exterior de la jarra con agua corriente.



MEDIDAS DE SEGURIDAD IMPORTANTES PARA TODOS LOS APARATOS ELÉCTRICOS

- Desenrolla completamente el cable de alimentación antes de usar el aparato.
- Este aparato es solo para uso doméstico. No se debe utilizar para fines distintos de su uso previsto. No se debe utilizar en vehículos o embarcaciones en movimiento. No se debe utilizar al aire libre. El uso inapropiado podría causar lesiones.
- Evita que el cable de alimentación sobresalga del borde de una encimera o una mesa, entre en contacto con superficies calientes o se enrede.
- Es necesaria una supervisión minuciosa cuando cualquier aparato se usa cerca de niños o cuando lo utilizan ellos mismos.
- La limpieza del aparato no debe ser realizada por niños menores de 8 años, ni por niños mayores sin la supervisión de un adulto.
- El aparato y el cable deben mantenerse fuera del alcance de los niños menores de 8 años.
- No utilices el aparato si el cable de alimentación, el enchufe o el mismo aparato se dañan de alguna manera. Ante cualquier daño y si se requiere algún tipo de mantenimiento (que no sea la limpieza), ponte en contacto con el Servicio de atención al cliente de Sage o visita sageappliances.com



ADVERTENCIA

- No utilices el aparato sobre una superficie inclinada.
- No muevas el aparato mientras esté encendido.



El símbolo mostrado aquí indica que este aparato no debe desecharse con la basura doméstica normal.

Debe llevarse a un centro de recogida de residuos designado por las autoridades locales para ese fin, o a una empresa que preste ese servicio. Para obtener más información, ponte en contacto con los servicios municipales.

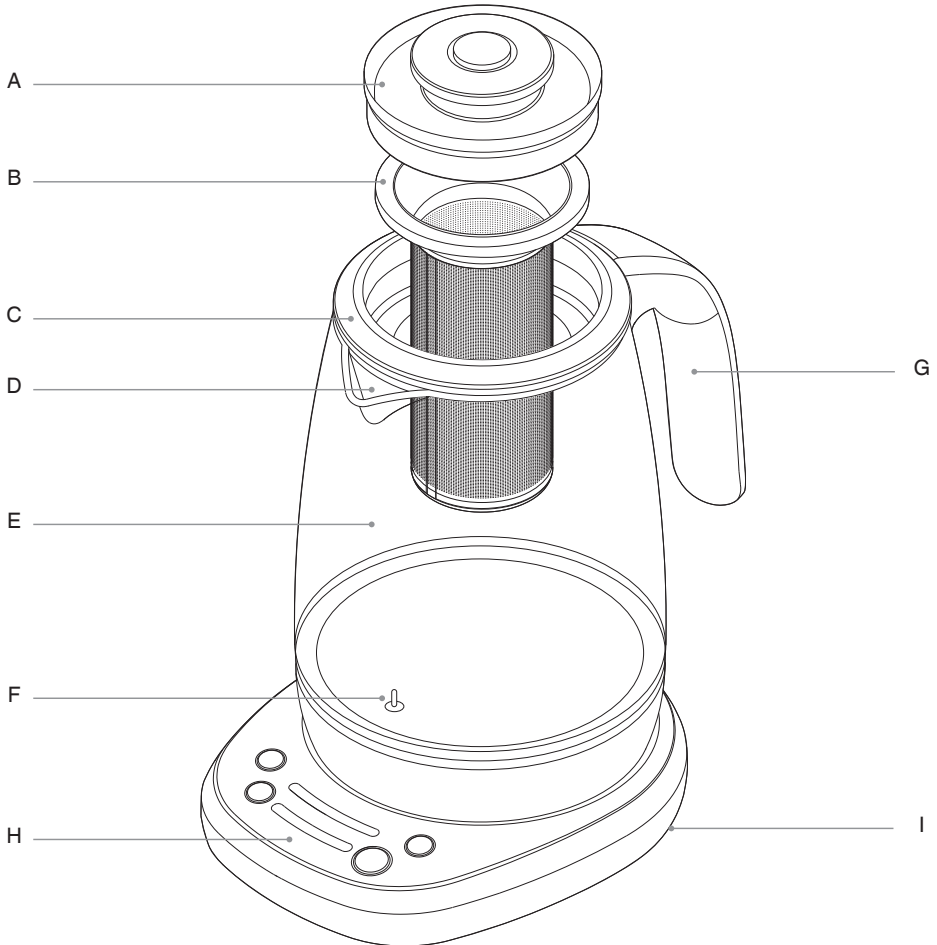


Para evitar descargas eléctricas, no sumerjas la base de la jarra de vidrio, la base de alimentación, el cable de alimentación o el enchufe de alimentación, en agua ni permitas que la humedad entre en contacto con estas piezas. Evita derramar agua sobre el conector de la base de alimentación. No sumerjas la jarra de vidrio ni la base de alimentación para su limpieza.

GUARDA ESTAS INSTRUCCIONES



Componentes



A. Tapa interior

B. Filtro de té de acero inoxidable

C. Tapa exterior

D. Boquilla

E. Recipiente de vidrio

F. Sensor de temperatura sumergido

G. Asa

H. Base de alimentación

I. Compartimento para cable

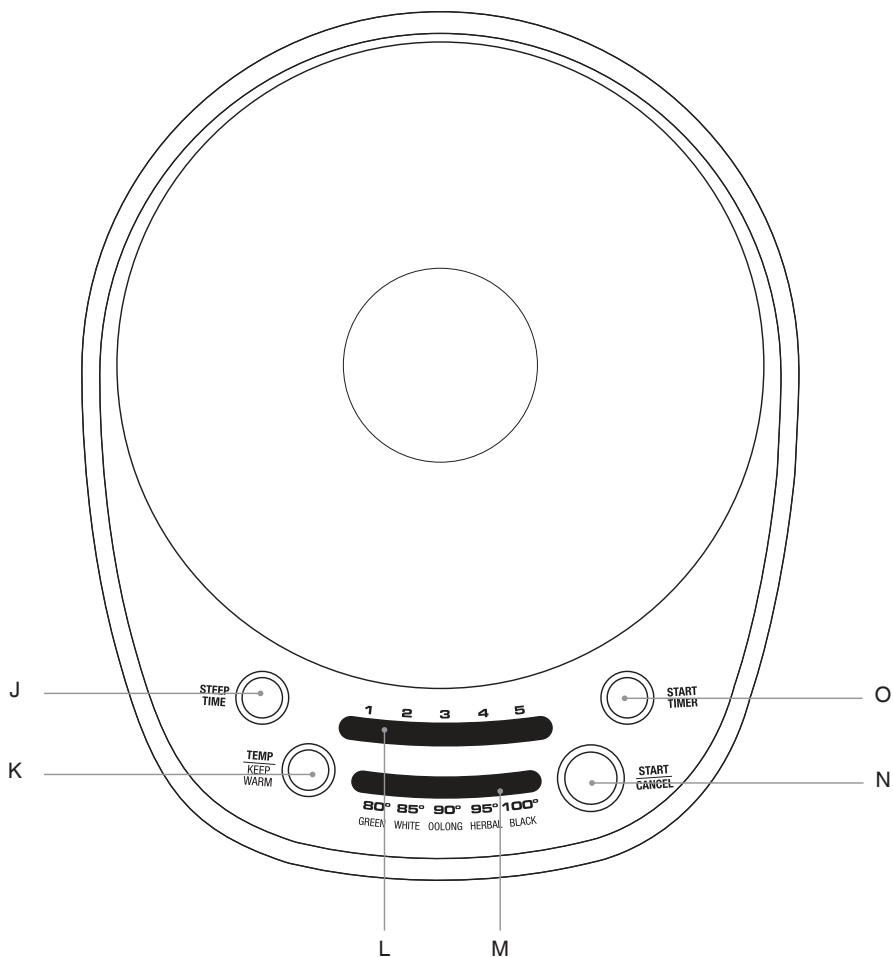
Materiales libres de BPA*

* Sage califica este producto como libre de BPA a partir de pruebas independientes de laboratorio realizadas en todos los materiales plásticos del producto que entran en contacto con alimentos, de conformidad con el Reglamento n.º 10/2011 de la Comisión Europea.



Datos técnicos

220–240 V ~ 50–60 Hz 1700–2000 W



- J. Botón STEEP TIME (tiempo de infusión)
- K. Botón TEMP/KEEP WARM (mantenerse caliente)
- L. Indicador del tiempo de infusión

- M. Indicador de temperatura / tipo de té
- N. Botón START/CANCEL (iniciar/cancelar)
- O. Botón START TIMER (tiempo de inicio)

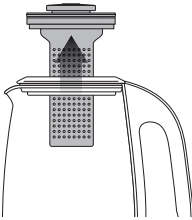


Funciones

ANTES DEL PRIMER USO

Para eliminar el polvo o residuos protectores del proceso de fabricación, se recomienda hervir agua una vez y luego desecharla.

1. Retira y desecha de forma segura los material de embalaje, etiquetas promocionales y cinta adhesiva de Sage Smart Tea Infuser™.
2. Levanta la tapa interior junto con el filtro de té adjunto. A continuación, retira la tapa exterior.
3. Con una esponja suave y con agua y jabón, lava el filtro de té y la tapa de la jarra, enjuágalos y sécalos completamente.



ADVERTENCIA

No sumerjas en agua la base de la jarra de vidrio, la base de alimentación, el cable de alimentación o el enchufe, ni permitas que la humedad entre en contacto con estas piezas.

4. Coloca la base de alimentación sobre una superficie plana y seca.
5. Desenrolla completamente el cable de alimentación y conecta el enchufe en una toma de corriente con conexión a tierra.



ADVERTENCIA

Nunca llenes la jarra de vidrio con agua fría. Permite que el Sage Smart Tea Infuser™ se enfríe antes de volver a llenarlo.

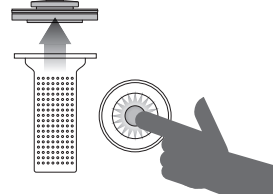


ADVERTENCIA

Llenar la jarra más allá de la línea "MAX" puede resultar en quemaduras o lesiones

serías como resultado del desbordamiento del agua caliente o hirviendo. Llenar la jarra por debajo de la línea "MIN" hará que el Sage Smart Tea Infuser™ se apague antes de que el agua haya hervido o alcanzado la temperatura seleccionada.

6. Remueve el filtro de té de la tapa interior al pulsar el botón.



7. Extrae el filtro de té, llena la jarra de vidrio hasta la marca "MAX" y colócalo sobre la base de alimentación. Fija firmemente la tapa en la jarra de vidrio. El Sage Smart Tea Infuser™ emitirá un sonido y los botones se iluminarán.
8. Selecciona "100 °C" en el indicador de temperatura al pulsar el botón TEMP/KEEP WARM (temp/mantenerse caliente) y apaga el temporizador al pulsar el botón STEEP TIME (tiempo de infusión) varias veces. Luego presiona el botón START/CANCEL (iniciar/cancelar) para comenzar.
9. Una vez que el agua alcance los 100 °C, emitirá un sonido de alerta 3 veces.
10. Desecha el agua. Sage Smart Tea Infuser™ ya está listo para su uso.

PREPARACIÓN DE TÉ

1. Llena la jarra de vidrio con la cantidad de agua deseada. Asegúrate de no rellenar más allá de la marca MAX. Coloca la tapa exterior, el filtro de té y la tapa interior.
2. Selecciona el tipo de té al pulsar el botón TEMP/KEEP WARM (temp/mantenerse caliente). El tipo de té determina la temperatura de la infusión y el tiempo de infusión, ambos basados en la intensidad media. Pulsa STEEP TIME para comenzar la infusión. El Sage Smart Tea Infuser™ tiene 5 tipos de té preestablecidos que se recomiendan para la preparación óptima de té verde, blanco, oolong, de hierbas y negro.

Tipos de té		Verde	Blanco	Oolong	De hierbas	Negro
		80 °C	85 °C	90 °C	95 °C	100 °C
Temperaturas de infusión preestablecidas	Suave	2	2	2	3	1
	Medio*	3	3	3	4	2
	Fuerte	4	4	4	5	3

* El tiempo preestablecido de infusión se basa en el sabor medio, pero se puede ajustar de acuerdo con las distintas preferencias.



NOTA

Este producto no está calibrado para uso comercial o científico. Las temperaturas pueden variar $\pm 3^\circ\text{C}$, lo cual está dentro del rango aceptable para una preparación óptima de cada variedad de té.

3. Inicia el calentamiento de agua al pulsar el botón START/CANCEL (iniciar/cancelar). El Sage Smart Tea Infuser™ comenzará a calentarse.
4. Una vez alcanzada la temperatura de infusión seleccionada, emitirá un sonido de alerta 3 veces. Abre la tapa del filtro de té al pulsar el botón de apertura y utiliza una cucharada de té (aproximadamente 5 g) para llenar la el filtro de té. Como guía general, utiliza 1 cucharadita de té por cada taza (250 mL de agua). Sin embargo, esto puede variar dependiendo de las instrucciones del té y de tus preferencias personales. Vuelve a colocar la tapa del filtro de té.

Proporción de cucharas de té y agua

500 mL	2 cucharaditas
750 mL	3 cucharaditas
1000 mL	4 cucharaditas
1250 mL	5 cucharaditas
1500 mL	6 cucharaditas
1700 mL	7 cucharaditas

5. Inicia el tiempo de infusión al pulsar el botón START TIMER (tiempo de inicio). El temporizador se ajusta de forma pre-determinada en función de la intensidad media, pero puedes al pulsar el botón STEEP TIME (tiempo de infusión).



NOTA

La temperatura y el tiempo se pueden cambiar durante el ciclo de calentamiento o de infusión.

6. Una vez completado el ciclo de preparación, el Sage Smart Tea Infuser™ emitirá un sonido de alerta 3 veces. Levanta la tapa interior junto con el filtro de té y sepáralo. A continuación, cierra la tapa. Tu té ya está listo. El Sage Smart Tea Infuser™ mantendrá el té caliente hasta que esté listo para beberlo.

MANTENERSE CALIENTE

Si se selecciona antes de iniciar el ciclo, la función “mantenerse caliente” estará activa hasta 30 minutos después de haber preparado el té. Cuando se retira la jarra de vidrio de la base de alimentación, la función “mantenerse caliente” se cancelará.

Para reactivar esta función durante 30 minutos más, coloca la jarra de vidrio con el té restante en la base de alimentación y presiona KEEP WARM (mantenerse caliente). La luz se iluminará cuando se seleccione.

HERVIR AGUA

Retira el filtro de té y llena la jarra de vidrio con agua. Cierra la tapa de la jarra. Selecciona la temperatura deseada pulsando el botón TEMP/KEEP WARM (temperatura/mantenerse caliente), y luego apaga el indicador de tiempo pulsando el botón STEEP TIME (tiempo de infusión). Pulsa el botón START/CANCEL (iniciar/cancelar) para comenzar. Cuando termine, emitirá un sonido de alerta 3 veces.

CAMBIO DEL VOLUMEN DEL SONIDO DE ALERTA

Mantén pulsado el botón STEEP TIME (tiempo de infusión) y el botón TEMP/KEEP WARM (temp/mantenerse caliente) juntos durante 2 segundos para entrar en el modo de ajuste del volumen. Pulsa el botón STEEP TIME (tiempo de infusión) para elegir entre OFF (silencio), 3 (predeterminado) y 5 (más alto). Para guardar y salir, presiona los dos botones juntos o espera 7 segundos.



Cuidado y limpieza

LIMPIEZA DE LA JARRA DE VIDRIO

- Después de cada uso, vacía la jarra de vidrio. No dejes que el té preparado permanezca en la jarra toda la noche. Deja que la jarra de vidrio se enfríe completamente antes de limpiarla.
- Limpia el interior de la jarra de vidrio con una esponja suave y húmeda o enjuégala con agua tibia.
- Limpia el exterior de la jarra de vidrio con un paño suave y húmedo para remover la suciedad.



ADVERTENCIA

Nunca sumerjas o laves el exterior de la jarra de vidrio con agua corriente.



NOTA

No utilices productos químicos, estropajos de acero o limpiadores abrasivos para limpiar el interior o el exterior de la jarra de vidrio, ya que pueden rayar la superficie.

- Para eliminar la acumulación de tanino, el componente químico astringente del té, llena la jarra de vidrio con agua hasta la marca máxima de agua (MAX), hiéverla y déjala que se enfríe durante un minuto. Agrega el contenido del limpiador Tea Maker Cleaner (disponible en la página web de Sage) y déjalo reposar durante 5 minutos. Vacía el Sage Smart Tea Infuser™, rellénalo con agua fresca y hiéverla. Repite este paso de nuevo. Vacía el Sage Smart Tea Infuser™ y enjuégalo bien.

- Sécalo con un paño suave sin pelusas antes de usarlo.



NOTA

Con el paso del tiempo y el uso regular, la acumulación de sarro puede afectar el rendimiento y la vida útil del Sage Smart Tea Infuser™. La cal y el fosfato son formas comunes de sarro que pueden dañar tu Sage Smart Tea Infuser™. La cal, un mineral inofensivo, tiene un aspecto blanco u oxidado que se acumula en las paredes internas y en el interior de la base de la jarra de vidrio. La acumulación de fosfato no se ve a simple vista. Sin embargo, puede hacer que el agua se vea turbia cuando se calienta. Para evitar que la cal dañe su Sage Smart Tea Infuser™, asegúrate de descalcificar la jarra de vidrio con regularidad. Usa descalcificador (disponible en la página web de Sage) y sigue las instrucciones.



ADVERTENCIA

Provoca irritación de la piel. Lávate las manos cuidadosamente después de utilizar el producto. Utiliza ropa y protección adecuadas para las manos, el cuerpo, los ojos y la cara.



NOTA

Permite que todas las partes del Sage Smart Tea Infuser™ se enfríen completamente antes de desarmarlo y limpiarlo.



ADVERTENCIA

No sumerjas en agua la base de la jarra de vidrio, la base de alimentación, el cable de alimentación o el enchufe, ni permitas que la humedad entre en contacto con estas piezas.



LIMPIEZA DEL EXTERIOR

- Con una esponja suave y con agua y jabón, lava la tapa de la jarra, enjuágala y sécala completamente.
- Alternativamente, la tapa exterior puede lavarse en el lavavajillas.
- Deja que todas las superficies se sequen completamente antes de usarlas.

LIMPIEZA DEL FILTRO DE TÉ

- Lava el filtro de té y su tapa con agua tibia, jabón y una esponja suave. Después, enjuágalos y sécalos completamente.
- Se pueden usar soluciones suaves en aerosol o limpiadores líquidos no abrasivos para evitar la acumulación de manchas en el filtro. Antes de la limpieza, aplica el limpiador en la esponja y no directamente sobre la superficie del filtro.
- Deja que todas las superficies se sequen completamente antes de usarlas de nuevo.

LIMPIEZA DE LA BASE DE ALIMENTACIÓN

- Limpia la base de alimentación con una esponja suave y húmeda.
- Deja que todas las superficies se sequen completamente antes de insertar el enchufe en la toma de corriente.

ALMACENAMIENTO

- Asegúrate de que el Sage Smart Tea Infuser™ esté apagado, limpio y seco antes de guardarlo.
- Asegúrate de que el filtro de té esté correctamente montado.
- Asegúrate de que la tapa de la jarra esté bien colocada.
- Enrolla el cable de alimentación alrededor del compartimento para el mismo, debajo de la base de alimentación.
- Guarda el Sage Smart Tea Infuser™ en posición vertical en la base de alimentación. No guardes nada encima.



Solución de problemas

PROBLEMA

Qué hacer

Sage Smart Tea Infuser™ no enciende

- Comprueba que el enchufe esté bien insertado en la toma de corriente.
- Inserta el enchufe en una toma de corriente independiente.
- Inserta el enchufe en una toma de corriente diferente.
- Reajusta el interruptor automático si es necesario.
- Para mayor seguridad, el Sage Smart Tea Infuser™ está equipado con un corte térmico. En caso de un sobrecalentamiento severo, el Sage Smart Tea Infuser™ se apagará automáticamente para evitar más daños.

Sage Smart Tea Infuser™ no funciona

- Comprueba que la jarra de vidrio está bien colocada en la base de alimentación.

No puedo seleccionar una función determinada

- Algunas características no pueden seleccionarse ni modificarse durante el ciclo de calentamiento o de preparación de té. Las luces LED que rodean a los botones indicarán la disponibilidad de las funciones.

Después de hervir el agua, aparecen burbujas alrededor del sensor de temperatura

- Esto forma parte del funcionamiento normal de Sage Smart Tea Infuser™.

Mi té tiene un sabor demasiado suave o demasiado fuerte

- Realiza un ciclo de limpieza según las instrucciones del folleto.
- Sigue las instrucciones de limpieza indicadas en esta publicación.



Garantía

GARANTÍA LIMITADA DE 2 AÑOS

La garantía de Sage Appliances cubre este producto para uso doméstico en territorios específicos durante 2 años a partir de la fecha de compra contra fallos causados por mano de obra y materiales defectuosos. Durante el plazo de la garantía, Sage Appliances reparará o sustituirá productos defectuosos (a criterio de Sage Appliances).

Todos los derechos de garantía en virtud de la legislación nacional vigente serán respetados y no se verán afectados por nuestra garantía. Para consultar los términos y condiciones completos de la garantía, así como instrucciones sobre cómo hacer una reclamación, visite www.sageappliances.com

the Sage Smart Tea Infuser™



PT MANUAL RÁPIDO

Sage®



Índice

- 2 A Sage® recomenda a segurança como máxima prioridade
- 7 Componentes
- 9 Funções
- 12 Cuidados e limpeza
- 14 Resolução de problemas
- 15 Garantia

A SAGE® RECOMENDA A SEGURANÇA COMO MÁXIMA PRIORIDADE

Na Sage®, temos a máxima preocupação com a segurança. Concebemos e produzimos produtos para o consumidor principalmente com a sua segurança, o nosso prezado cliente, em mente. Além disso, pedimos que tenha cuidado quando utilizar qualquer aparelho elétrico e que cumpra as precauções seguintes.

CUIDADOS IMPORTANTES

LEIA TODAS AS INSTRUÇÕES ANTES DE UTILIZAR E GUARDE-AS PARA CONSULTA FUTURA

- Está disponível uma versão transferível deste documento em sageappliances.com
- Antes de utilizar pela primeira vez, certifique-se de que a sua fonte de alimentação corresponde à indicada na etiqueta de classificação na parte inferior do aparelho. Contacte o seu fornecedor de eletricidade se tiver quaisquer dúvidas.
- Remova e elimine todos os materiais da embalagem antes da primeira utilização.
- Para eliminar o risco de asfixia para as crianças, elimine de forma segura a cobertura de proteção instalada na ficha de alimentação.
- Este aparelho foi concebido especificamente apenas para aquecer e ferver água potável e chá. Em nenhum circunstância deve utilizar este produto para aquecer ou ferver outros líquidos ou alimentos.
- Coloque o aparelho numa superfície plana, estável, resistente ao calor e seca, afastado da extremidade e não

- utilize próximo de uma fonte de calor, como uma placa térmica, forno ou bico de gás.
- Não coloque o aparelho em ou próximo de um bico de gás ou elétrico ou onde possa tocar num forno quente.
 - Posicione o aparelho a pelo menos 20 cm das paredes ou materiais sensíveis ao calor/vapor e certifique-se de que há espaço livre adequado por cima e em todos os lados para circulação de ar.
 - Não utilize a chaleira sobre uma pia de cozinha.
 - Antes de utilizar, certifique-se sempre de que o aparelho foi montado corretamente antes de ligar a uma tomada elétrica e ligar o aparelho. Cumpra as instruções fornecidas neste livro.
 - Recomendamos a instalação de um comutador de segurança da corrente residual para fornecer segurança adicional ao utilizar todos os aparelhos elétricos. Recomendamos o uso de comutadores de segurança com uma corrente operacional nominal não superior a 30 mA. Consulte um electricista para obter aconselhamento profissional.
 - A jarra de vidro apenas deve ser utilizada com a base elétrica fornecida. Não utilize sobre uma bancada.
 - O aparelho não se destina a ser operado através de um temporizador externo ou sistema de controlo remoto separado.
 - Não toque nas superfícies quentes. Utilize a pega para levantar e transportar a jarra de vidro.
 - Fixe a tampa da jarra na jarra de vidro antes de operar.
 - Não coloque nenhum objeto em cima da tampa.
 - Não abra a tampa da jarra durante o funcionamento porque pode queimar-se.
 - Tenha o máximo cuidado ao mover a jarra de vidro com líquidos quentes.
 - Tenha cuidado ao servir água com a jarra de vidro porque a água quente e o vapor podem queimar. Não verta a água demasiado rápido.
 - Para evitar queimaduras, nunca encha a jarra de vidro acima da marca "MAX" (Máximo).
 - Não utilize o aparelho sem água. Encha sempre a jarra de vidro até à marca "MIN" (Mínimo). Se for colocada em funcionamento sem água, a proteção de funcionamento em seco desliga a alimentação automaticamente. Deve permitir que o aparelho arrefeça antes de encher novamente.



AVISO

- Não retire a jarra de vidro da base elétrica durante o aquecimento ou quando o cesto está em funcionamento. Certifique-se de que o aparelho concluiu o ciclo de aquecimento de água ou ciclo de infusão de chá antes de retirar a jarra de vidro da base elétrica.
- O uso de acessórios não recomendados pela Sage® pode provocar incêndios, choque elétrico ou lesões.
- Certifique-se sempre de que o aparelho está desligado (OFF), e que a ficha foi retirada da tomada elétrica e arrefeceu totalmente antes de o limpar, tentar mover ou armazenar.
- Quando o aparelho não estiver em utilização ou se não tiver supervisão, desligue o cabo de alimentação da tomada elétrica.
- Deve permitir que o aparelho arrefeça entre os ciclos de infusão.
- Mantenha a jarra de vidro limpa. Cumpra as instruções de limpeza fornecidas neste manual.
- Não use produtos de limpeza abrasivos ou cáusticos ao limpar este aparelho.
- As crianças não devem brincar com o aparelho.
- A jarra de vidro tem um tratamento especial que a torna mais resistente, durável e segura do que vidro normal, porém não é inquebrável. Se cair ou for golpeada com muita força, pode partir ou ficar enfraquecida, e pode posteriormente partir-se em inúmeros pequenos pedaços sem causa aparente.
- Qualquer tarefa de manutenção que não a de limpeza deve ser realizada por um centro de assistência autorizado pela Sage®.
- O aparelho pode ser utilizado por crianças com mais de 8 anos de idade e pessoas com capacidades físicas ou mentais reduzidas ou com falta de experiência e conhecimento, mas apenas se tiverem recebido supervisão ou instruções relativas ao uso seguro do aparelho e compreenderem os perigos envolvidos.
- As crianças não devem brincar com o aparelho.

- Desligue sempre o aparelho (interruptor na posição OFF), desligue na tomada elétrica e retire a ficha da tomada elétrica quando não estiver em utilização.

**AVISO**

- Não lave o exterior da jarra de vidro em água corrente.



DIRETRIZES DE SEGURANÇA IMPORTANTES PARA TODOS OS APARELHOS ELÉTRICOS

- Desenrole completamente o cabo de alimentação antes de utilizar.
- Este aparelho destina-se apenas a uso doméstico. Não utilize o aparelho para outra função diferente da utilização a que se destina. Não utilize em veículos em movimento ou barcos. Não utilize no exterior. A utilização incorreta pode causar ferimentos.
- Não deixe o cabo de alimentação pendurado sobre a extremidade de uma mesa ou bancada, em contacto com superfícies quentes nem permita que o cabo se enrosque.
- É necessária uma supervisão atenta quando qualquer aparelho é utilizado por crianças ou próximo de elas.
- As tarefas de limpeza do aparelho não devem ser executadas por crianças exceto caso tenham mais de 8 anos de idade e tenham supervisão.

- O aparelho e o cabo devem ser mantidos fora do alcance das crianças com idade inferior a 8 anos.
- Não use o aparelho se o cabo de alimentação, a ficha ou o próprio aparelho estiverem danificados de qualquer maneira. Contacte o serviço de atendimento ao cliente da Sage ou acesse a sageappliances.com se o aparelho estiver danificado ou se for necessária qualquer tarefa de manutenção que não a de limpeza



AVISO

- Não utilize o aparelho numa superfície inclinada.
- Não mova o aparelho quando estiver ligado.



O símbolo apresentado indica que este aparelho não deve ser eliminado juntamente com os resíduos domésticos normais. Deve ser encaminhado para um centro de recolha de resíduos da autoridade local designado para este fim ou um revendedor que forneça este serviço. Contacte a Câmara Municipal local para obter mais informações.

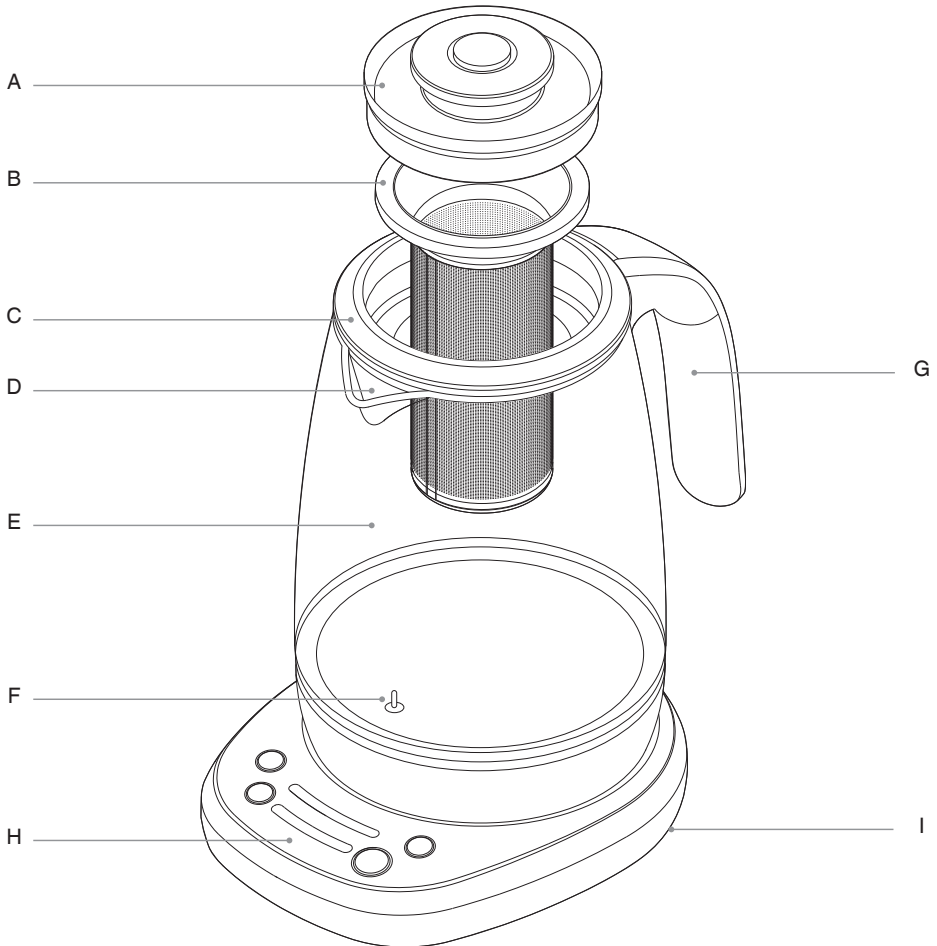


Para evitar choques elétricos, não submerja a base da jarra de vidro, a base elétrica, cabo de alimentação ou ficha em água ou permita que a humidade entre em contacto com estas partes. Evite derramar água no conector da base elétrica. Não submerja a jarra de vidro ou a base elétrica para limpar.

GUARDE ESTAS INSTRUÇÕES



Componentes



A. Tampa interior

B. Cesto de chá em aço inoxidável

C. Tampa exterior

D. Bocal

E. Corpo de vidro

F. Sensor de temperatura submersido

G. Pega

H. Base elétrica

I. Armazenamento do cabo

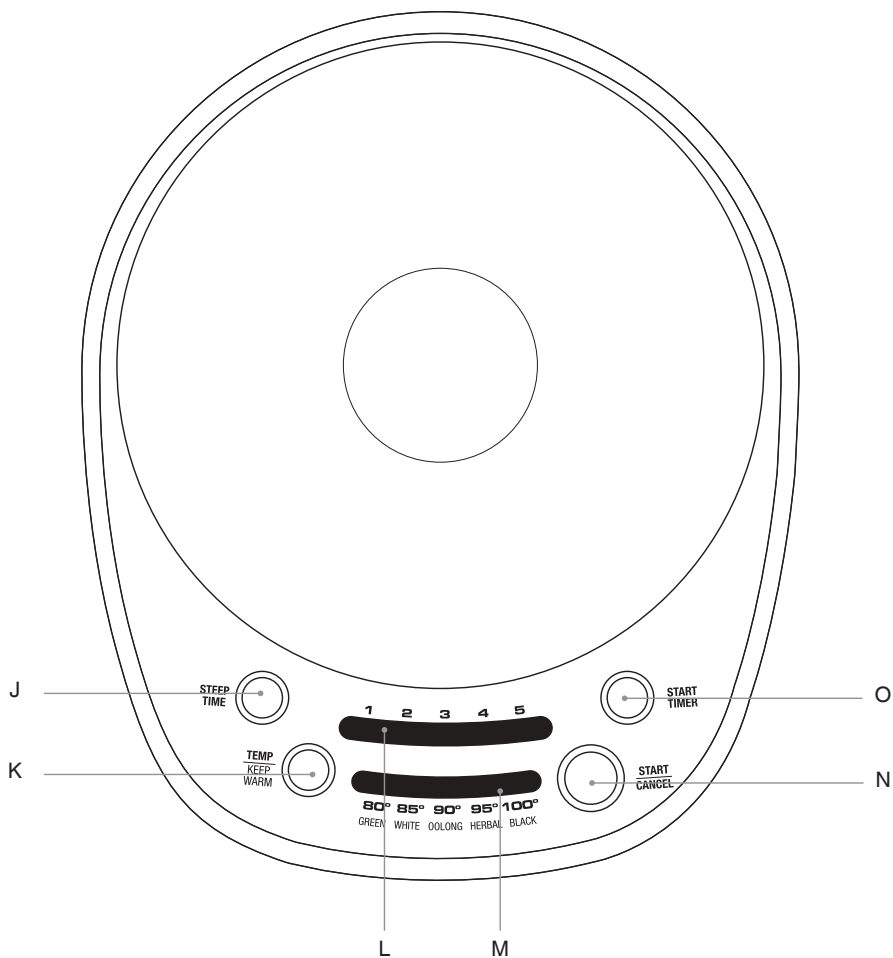
Materiais sem BPA*

* A Sage declara que este produto não contém BPA com base nos testes de um laboratório independente realizados em todos os materiais plásticos do produto em contacto com alimentos, de acordo com a Norma 10/2011 da Comissão Europeia.



Informação de classificação

220–240 V ~50–60 Hz 1700–2000 W



J. Botão STEEP TIME (Tempo de infusão)

K. Botão TEMP/KEEP WARM (Temperatura/Manter Quente)

L. Indicador do tempo de infusão

M. Indicador de temperatura/tipo de chá

N. Botão START/CANCEL (Iniciar/Cancelar)

O. Botão START TIMER (Iniciar temporizador)

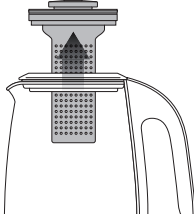


Funções

ANTES DA PRIMEIRA UTILIZAÇÃO

Para remover pó ou resíduos da proteção durante o processo de fabrico, recomenda-se que efetue um ciclo de fervura e deite fora a água.

1. Remova e elimine em segurança todos os materiais da embalagem, etiquetas promocionais e fita adesiva da Sage Smart Tea Infuser™.
2. Levante a tampa interior com o cesto de chá instalado. Em seguida, remova a tampa exterior.
3. Lave a tampa exterior, o cesto de chá e a tampa interior com uma esponja macia com água morna com sabão, enxague e seque devidamente.



AVISO

Nunca submerja a base da jarra de vidro, a base elétrica, o cabo de alimentação ou a ficha em água nem permita que a humidade entre em contacto com estas peças.

4. Coloque a base elétrica numa superfície plana e seca.
5. Desenrole completamente o cabo de alimentação e insira o cabo de alimentação numa tomada com ligação à terra.



AVISO

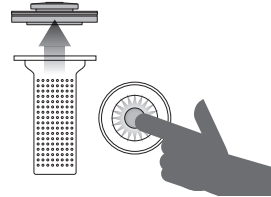
Nunca encha a jarra de vidro com água gelada. Permita que a Sage Smart Tea Infuser™ arrefeça antes de encher novamente.



AVISO

Encher a jarra acima da marca MAX (Máximo) pode provocar queimaduras graves ou lesões porque a água quente ou a ferver pode transbordar. Encher a jarra abaixo da linha MIN (Mínimo) pode provocar que a Sage Smart Tea Infuser™ se desligue antes de ferver a água ou atingir a temperatura selecionada.

6. Retire o cesto de chá da tampa interior premindo o botão.



7. Sem o cesto do chá instalado, encha a jarra de vidro até à marca MAX (Máximo) e coloque-a na base elétrica. Instale corretamente a tampa na jarra de vidro. A Sage Smart Tea Infuser™ emite um sinal sonoro e os botões iluminam-se.
8. Selecione "100 °C" no indicador de temperatura premindo o botão TEMP/KEEP WARM (Temperatura/Manter Quente) e desligue o temporizador premindo o botão STEEP TIME (Tempo de infusão) várias vezes. Em seguida, prima o botão START/CANCEL (Iniciar/Cancelar) para iniciar.
9. Quando a temperatura da água atingir 100 °C, emite 3 sinais sonoros.
10. Elimine a água usada. A Sage Smart Tea Infuser™ está pronta a utilizar.

INFUSÃO DE CHÁ

1. Encha a jarra de vidro com a quantidade de água pretendida. Certifique-se de que não ultrapassa a marca MAX (Máximo). Coloque a tampa exterior, o cesto de chá e a tampa interior.
2. Selecione o tipo de chá premindo o botão TEMP/KEEP WARM (Temperatura/ Manter Quente). O tipo de chá determina a temperatura de infusão e o tempo de infusão com base na intensidade média. Prima o botão TEMPO DE INFUSÃO para ativar a função de infusão. A Sage Smart Tea Infuser™ tem 5 predefinições de tipos de chá recomendadas para a infusão perfeita de chá verde, chá branco, chá Oolong, chá de ervas ou chá preto.

TIPO DE CHÁ	Verde	Branco	Oolong	Ervas	Preto	
Temp de infusão predef	80 °C	85 °C	90 °C	95 °C	100 °C	
Tempo de infusão* (min.)	Suave	2	2	2	3	1
	Média*	3	3	3	4	2
	Forte	4	4	4	5	3

* O tempo de infusão predefinido está baseado na intensidade média, mas pode ajustá-lo segundo a sua preferência.



NOTA

Este produto não está calibrado para uso comercial ou científico. A temperatura pode variar +/-3 °C, mas encontra-se no intervalo ótimo para cada tipo de chá.

3. Inicie o aquecimento premindo o botão START/CANCEL (Iniciar/Cancelar). The Sage Smart Tea Infuser™ começa a aquecer.

4. Quando a temperatura de infusão selecionada for atingida, emite 3 sinais sonoros. Abra a tampa do cesto de chá premindo o botão de libertação e utilize uma colher de chá (aproximadamente 5 g) para encher o cesto com folhas de chá. Como regra geral, utilize 1 colher de chá de folhas de chá por chávena/250 ml de água, no entanto, a quantidade depende das instruções na embalagem do chá e da sua preferência pessoal. Instale a tampa do cesto de chá.

Proporção de colheres de água para colheres de chá

500 ml	2 colheres de chá
750 ml	3 colheres de chá
1000 ml	4 colheres de chá
1250 ml	5 colheres de chá
1500 ml	6 colheres de chá
1700 ml	7 colheres de chá

5. Inicie a infusão premindo o botão START TIMER (Iniciar temporizador). O temporizador está configurado para intensidade média por predefinição, mas pode alterar esta definição premindo o botão STEEP TIME (Tempo de infusão).



NOTA

Pode alterar a temperatura e o tempo durante o ciclo de aquecimento ou infusão.

6. Após terminar o ciclo de infusão, a Sage Smart Tea Infuser™ emite 3 sinais sonoros. Levante a tampa interior com o cesto de chá e retire o cesto de chá. Feche a tampa. O chá está pronto. A Sage Smart Tea Infuser™ mantém o chá quente até que o possa beber.

KEEP WARM (MANTER QUENTE)

Se selecionada antes de aquecer, a função KEEP WARM (Manter Quente) dura 30 minutos após terminar a infusão de chá. Quando a jarra de vidro é removida da base elétrica, a função KEEP WARM (Manter Quente) é cancelada.

Para reativar durante mais 30 minutos, coloque a jarra de vidro com o chá restante na base elétrica e prima KEEP WARM (Manter Quente), a luz ilumina-se quando o botão é selecionado.

FERVER ÁGUA

Remova o cesto de chá e encha a jarra de vidro com água fria. Feche a tampa da jarra. Selecione a temperatura pretendida premindo o botão TEMP/KEEP WARM (Temperatura/Manter Quente), em seguida, desligue o indicador de tempo premindo o botão STEEP TIME (Tempo de infusão). Prima o botão START/CANCEL (Iniciar/Cancelar) para iniciar. Após terminar, 3 sinais sonoros.

ALTERAR O VOLUME DO SINAL SONORO

Mantenha premido o botão STEEP TIME (Tempo de infusão) e o botão TEMP/KEEP WARM (Temperatura/Manter Quente) simultaneamente durante 2 segundos para aceder ao modo de ajuste do volume. Prima o botão STEEP TIME (Tempo de infusão) para escolher entre OFF (Silêncio), 3 (predefinido) e 5 (alto). Para guardar e sair, prima os dois botões simultaneamente ou aguarde 7 segundos.



Cuidados e limpeza

LIMPAR A JARRA DE VIDRO

- Esvazie a jarra de vidro após cada utilização. Não deixe o chá preparado na jarra de um dia para o outro. Deixe arrefecer completamente a jarra de vidro antes de limpar.
- Limpe o interior da jarra de vidro com uma esponja macia humedecida ou enxague com água morna.
- Limpe o exterior da jarra de vidro com um pano suave e húmido.



AVISO

Nunca submerja ou lave o exterior da jarra de vidro em água corrente.



NOTA

Não utilize agentes de limpeza químicos, palha de aço ou abrasivos para limpar o interior ou exterior da jarra de vidro porque podem riscar a superfície.

- Para remover a acumulação de taninos, o ingrediente químico adstringente do chá, encha a jarra de vidro com água até à marca MAX (Máximo), ferva a água e deixe arrefecer durante um minuto. Adicione o conteúdo do Tea Maker Cleaner (disponível na página Web da Sage) e deixe repousar durante 5 minutos. Esvazie a Sage Smart Tea Infuser™, encha com água limpa e ferva-a. Repita novamente este passo. Esvazie a Sage Smart Tea Infuser™ e enxague abundantemente.
- Seque cuidadosamente com um pano macio e limpo antes de utilizar.



NOTA

Com o uso regular, a acumulação de calcário pode afetar o desempenho e a vida útil da sua Sage Smart Tea Infuser™. O calcário e os fosfatos são formas comuns de calcificação que podem danificar a sua Sage Smart Tea Infuser™. A acumulação de calcário, um mineral inofensivo, aparece como umas manchas brancas ou de ferrugem nas paredes internas e na base interna da jarra de vidro. A acumulação de fosfatos não é visível, no entanto, pode provocar a turbidez da água aquecida. Para evitar que o calcário danifique a sua Sage Smart Tea Infuser™, realize a descalcificação da jarra de vidro regularmente. Utilize o Descalcificador (disponível na página Web da Sage) e siga as instruções.



AVISO

Causa irritação cutânea. Lave as mãos cuidadosamente após a utilização. Use luvas protetoras/vestuário de proteção/proteção ocular/proteção facial.



NOTA

Deixe arrefecer todas as partes da Sage Smart Tea Infuser™ antes de desmontar e limpar.



AVISO

Nunca submerja a base da jarra de vidro, a base elétrica, o cabo de alimentação ou a ficha em água nem permita que a humidade entre em contacto com estas peças.



LIMPAR A TAMPA EXTERIOR

- Lave a tampa exterior com uma esponja macia com água morna com sabão, enxague e seque devidamente.
- Em alternativa, pode lavar a tampa exterior na máquina de lavar louça.
- Seque devidamente todas as superfícies antes de utilizar.

LIMPAR O CESTO

- Lave a tampa interior e o cesto de chá com uma esponja macia com água morna com sabão, enxague e seque devidamente.
- Pode utilizar um produto de limpeza líquido não abrasivo ou solução de pulverização suave para evitar a acumulação de manchas no cesto. Aplique o produto de limpeza na esponja e não diretamente na superfície do cesto.
- Aguarde até que todas as superfícies estejam devidamente secas antes de utilizar.

LIMPAR A BASE ELÉTRICA

- Limpe a base elétrica com uma esponja suave e húmida.
- Aguarde até que todas as superfícies estejam devidamente secas antes de introduzir a ficha do cabo de alimentação numa tomada elétrica.

ARMAZENAMENTO

- Certifique-se de que a Sage Smart Tea Infuser™ está desligada, limpa e seca antes de guardar.
- Certifique-se de que o cesto de chá está corretamente montado.
- Certifique-se de que a tampa da jarra está fixa na jarra de vidro.
- Enrole o cabo de alimentação em volta do armazenamento do cabo sob a base elétrica.
- Guarde a Sage Smart Tea Infuser™ na posição vertical na base elétrica. Não armazene nada na parte superior do aparelho.



Resolução de problemas

PROBLEMA	O QUE FAZER
The Sage Smart Tea Infuser™ não liga	<ul style="list-style-type: none">• Verifique se a ficha do cabo de alimentação está corretamente inserida na tomada.• Insira a ficha do cabo de alimentação numa tomada independente.• Insira a ficha do cabo de alimentação numa tomada diferente.• Reponha o disjuntor se necessário.• Para maior segurança, a Sage Smart Tea Infuser™ inclui um corte térmico. Em caso de sobreaquecimento, a Sage Smart Tea Infuser™ desliga-se automaticamente para impedir danos.
The Sage Smart Tea Infuser™ não funciona	<ul style="list-style-type: none">• Verifique se a jarra de vidro está corretamente colocada na base elétrica.
Não consigo selecionar uma função específica	<ul style="list-style-type: none">• Não é possível selecionar ou alterar algumas funcionalidades durante o ciclo de aquecimento ou ciclo de infusão. As luzes LED no rebordo dos botões indicam a disponibilidade das funções.
Após ferver a água, aparecem bolhas em volta do sensor de temperatura	<ul style="list-style-type: none">• Isto é normal para a funcionalidade da Sage Smart Tea Infuser™.
O chá tem um sabor fraco ou demasiado forte	<ul style="list-style-type: none">• Execute um ciclo de limpeza segundo as instruções no manual.• Siga as instruções de limpeza neste manual.



Garantia

GARANTIA LIMITADA DE 2 ANOS

A Sage Appliances fornece uma garantia para este produto para uso doméstico nos territórios especificados de 2 anos a partir da data de compra contra avarias provocadas por defeitos na mão-de-obra e nos materiais. Durante este período da garantia, a Sage Appliances irá reparar, substituir ou reembolsar qualquer produto defeituoso (a exclusivo critério da Sage Appliances).

Todos os direitos legais da garantia ao abrigo da legislação nacional aplicável serão respeitados e não serão afetados pela nossa garantia. Visite www.sageappliances.com para consultar os termos e condições completos da garantia, bem como as instruções sobre como efetuar uma reivindicação.

GBR

BRG Appliances Limited
Unit 3.2, Power Road Studios, 114 Power
Road, London, W4 5PY

UK Landline: 0808 178 1650
Mobile (National Rate): 0333 0142 970

DEU

AUT

Sage Appliances GmbH
Campus Fichtenhain 48, 47807 Krefeld,
Deutschland

Deutschland: 08005053104
Österreich: 0800 80 2551

FRA

Sage Appliances France SAS
Siège social : 66 avenue des Champs
Élysées – 75008 Paris
879 449 866 RCS Paris
France: 0800 903 235

ITL

Italy
800 909 773

BEL

Belgium
0800 54 155

NLD

Netherlands
0800 020 1741

LUX

Luxembourg
0800 880 72

CHE

Switzerland
0800 009 933

ESP

Spain
0900 838 534

POR

Portugal
0800 180 243

Sage®

www.sageappliances.com

Registered in England & Wales No. 8223512
Registered in Germany No. HRB 81309 (AG Düsseldorf)
Registered in France No. 879 449 866 RCS

- Due to continued product improvement, the products illustrated or photographed in this document may vary slightly from the actual product.
- Aufgrund kontinuierlicher Produktverbesserungen kann das auf dieser Verpackung dargestellte Produkt leicht vom tatsächlichen Produkt abweichen.
 - En raison de son amélioration continue, le produit représenté sur cet emballage peut différer légèrement du produit réel.
 - A causa del continuo miglioramento dei prodotti, il prodotto illustrato su questa confezione può variare leggermente rispetto al prodotto reale.
- Vanwege de voortdurende verbetering van de producten kunnen de producten die in dit document worden geïllustreerd of gefotografeerd enigszins afwijken van het daadwerkelijke product.
- Perfeccionamos nuestros productos continuamente, por lo que el artículo podría diferir ligeramente de la ilustración o imagen en este documento.
- Devido à melhoria continua dos produtos, os produtos ilustrados ou fotografados neste documento podem variar ligeiramente do produto real.

Copyright BRG Appliances 2020

BTM600/STM600 UG6 C20