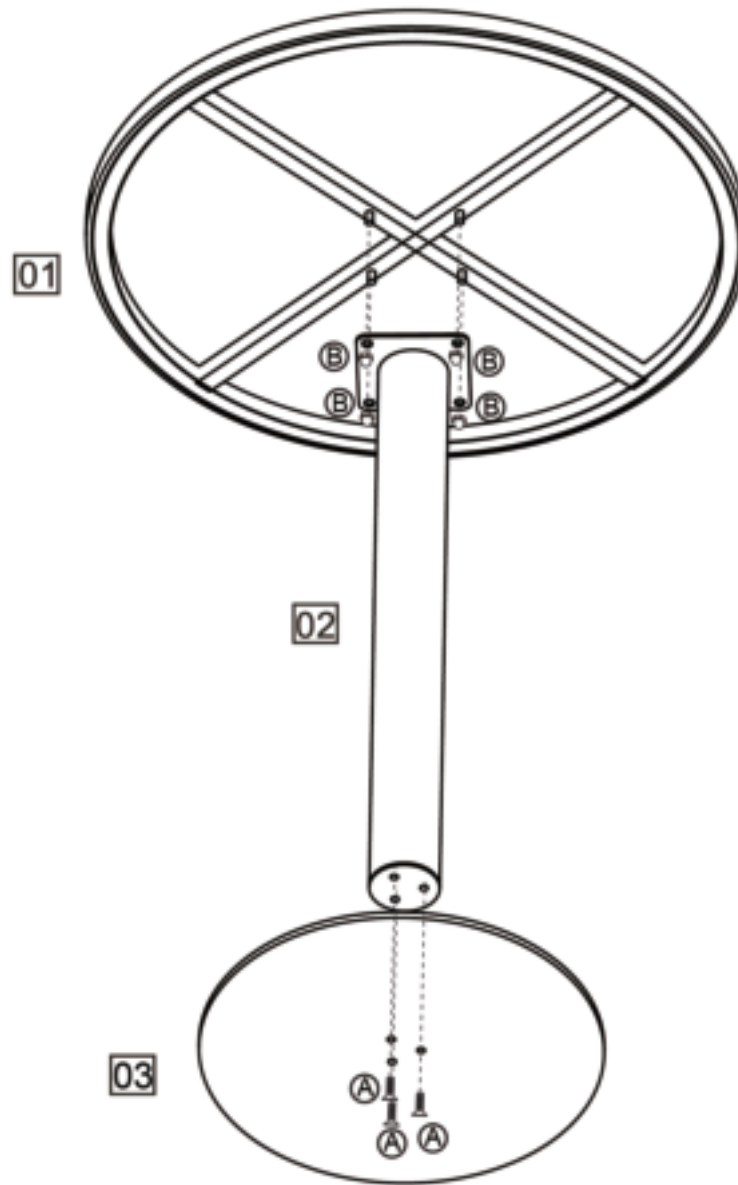


COMPONENT PARTS

FITTINGS



(A)



x3

(B)



x4

COMPONENT CHECKLIST

PART	No.	Qty.	
Desktop	01	1	<input type="checkbox"/>
Desk post	02	1	<input type="checkbox"/>
Chassis	03	1	<input type="checkbox"/>

TOOLS REQUIRED



Allen key (supplied)



Spanner (supplied)