

ax8



bx8



cx16



dx9



ex12



fx4



gx5



hx2



ix2



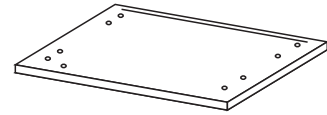
jx16



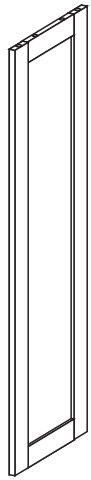
kx1



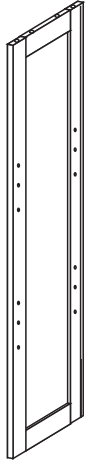
lx1



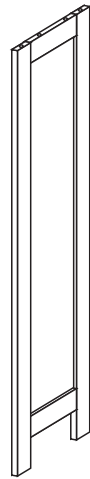
Ex1



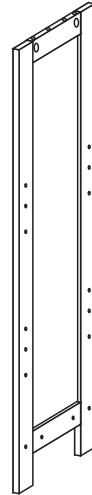
Ax1



Bx1



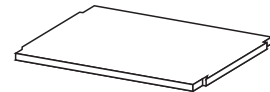
Cx1



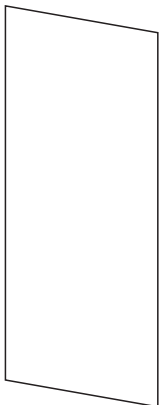
Dx1



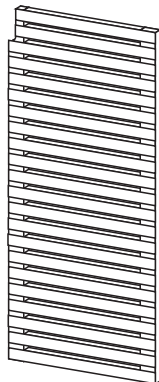
Fx1



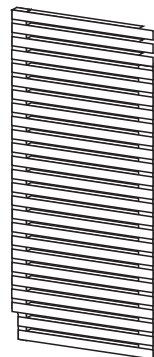
Gx4



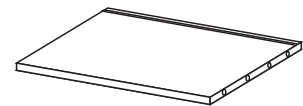
Ix1



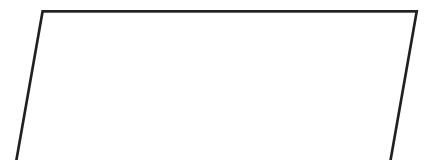
Jx1



Kx1

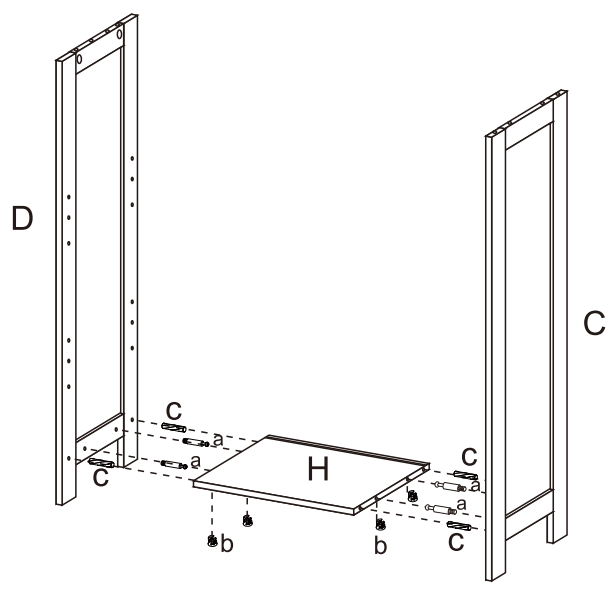


Hx1

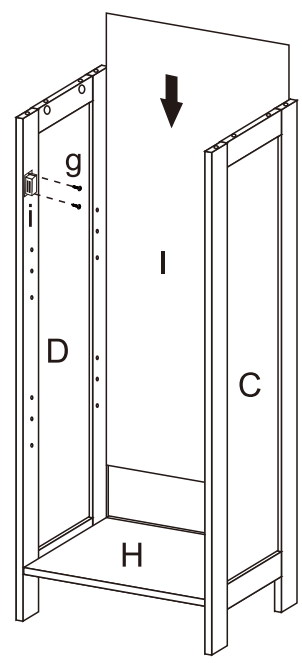


Lx1

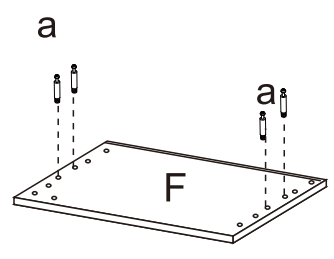
1



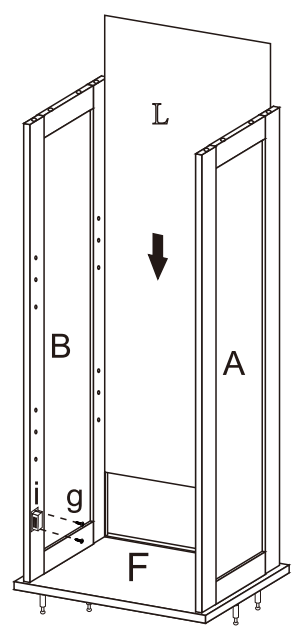
2



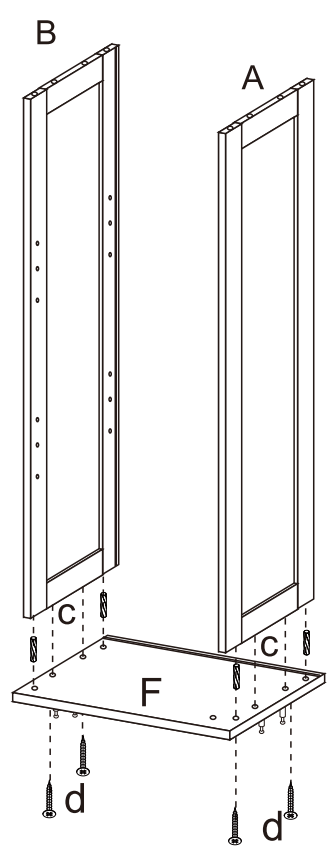
3



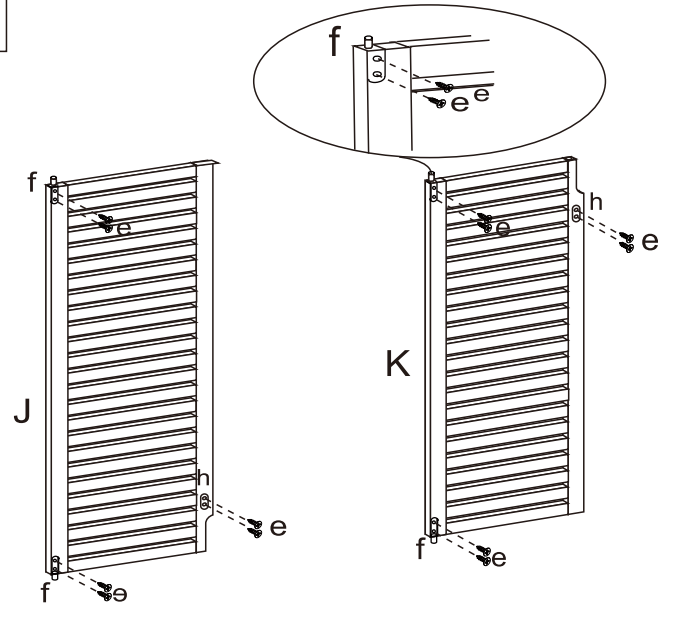
5



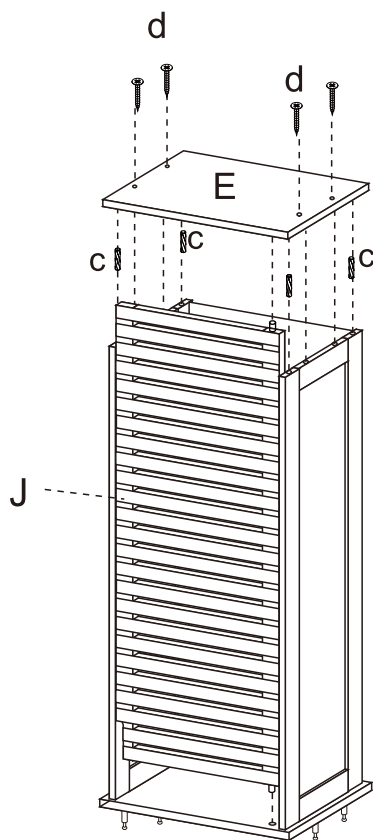
4



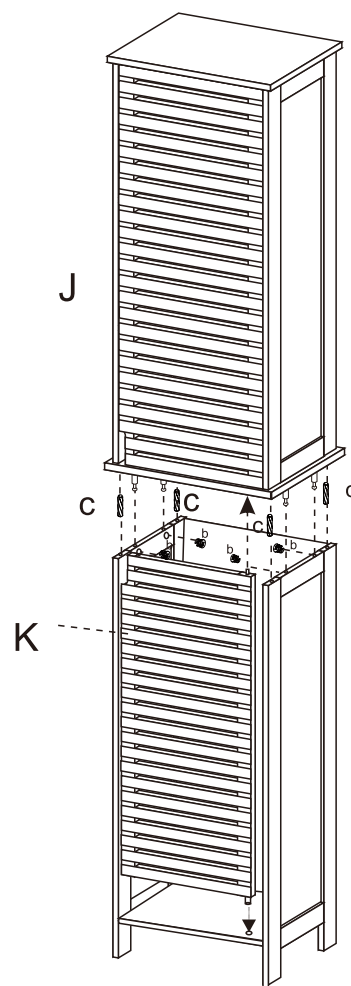
6



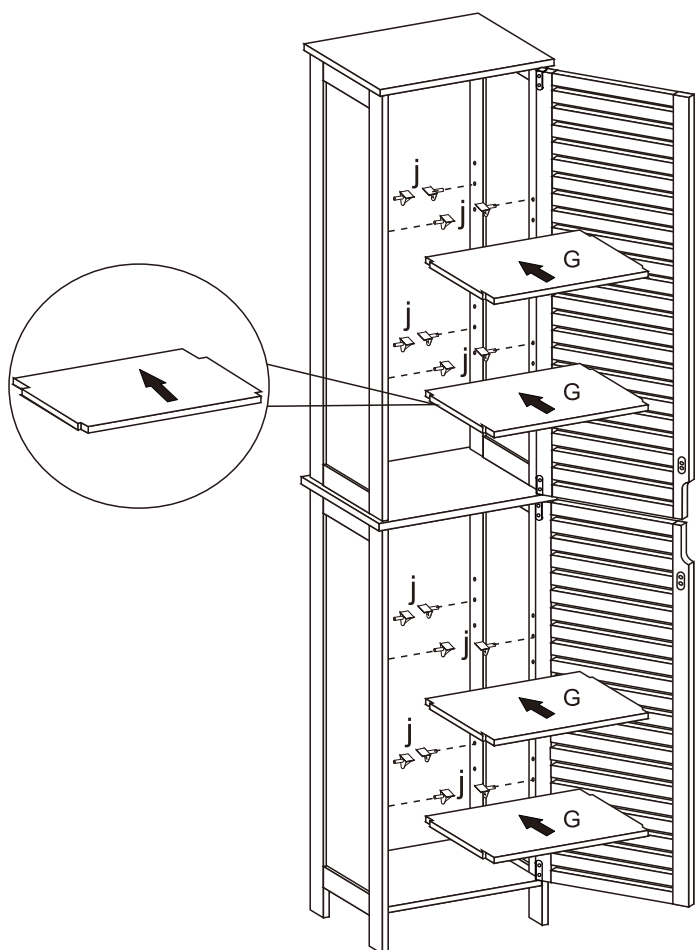
7



8



9



10

