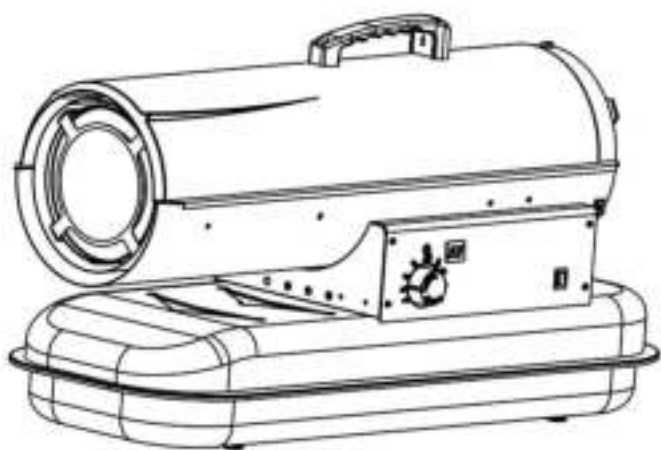
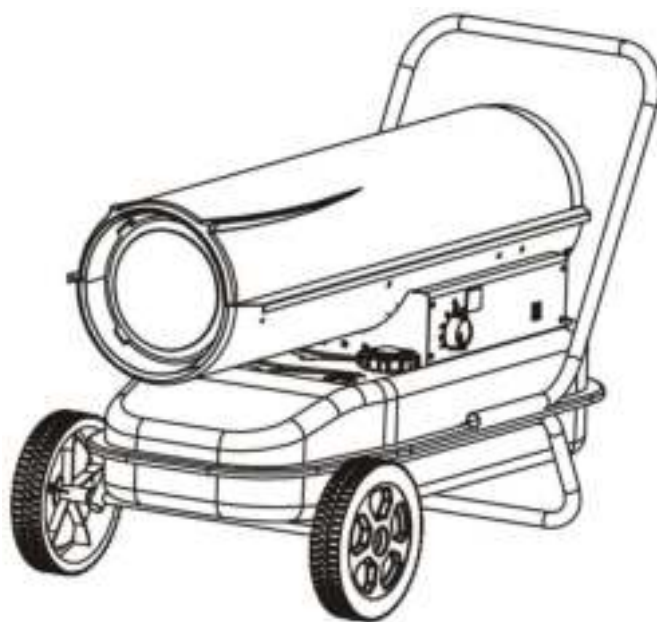


FT120C/FT130C



FT120C

USER MANUAL	2
HANDLEIDING	12
MODE D'EMPLOI	22
MANUAL DEL USUARIO	32
BEDIENUNGSANLEITUNG	42
INSTRUKCJA OBSŁUGI	52
MANUAL DO UTILIZADOR	62



FT130C



This product is not suitable for primary heating purposes.
Dit product is niet geschikt voor gebruik als primaire verwarming.
Ce produit ne peut pas être utilisé comme chauffage principal.
Este producto no es adecuado para calefacción primaria.
Dieses Produkt eignet sich nicht als Hauptheizgerät.
Ten produkt nie może służyć jako podstawowe źródło ogrzewania.
Este produto não é adequado para fins de aquecimento principal.

USER MANUAL

1. Introduction



To all residents of the European Union

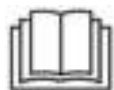
Important environmental information about this product

This symbol on the device or the package indicates that disposal of the device after its lifecycle could harm the environment. Do not dispose of the unit (or batteries) as unsorted municipal waste; it should be taken to a specialized company for recycling. This device should be returned to your distributor or to a local recycling service. Respect the local environmental rules.

If in doubt, contact your local waste disposal authorities.

Thank you for choosing Perel! Please read the manual thoroughly before bringing this device into service. If the device was damaged in transit, do not install or use it and contact your dealer.

2. Safety Instructions



Read and understand this manual and all safety signs before using this appliance.



Warning: In order to avoid overheating, do not cover the heater.

This device can be used by children aged from 8 years and above, and persons with reduced physical, sensory or mental capabilities or lack of experience and knowledge if they have been given supervision or instruction concerning the use of the device in a safe way and understand the hazards involved. Children shall not play with the device. Cleaning and user maintenance shall not be made by children without supervision.

If the external flexible cable or cord of this appliance is damaged, it shall be exclusively replaced by the manufacturer or his service agent or a similar qualified person in order to avoid a hazard.

Do not use this appliance in the immediate surroundings of a bath, a shower or a swimming pool. Do not install this appliance immediately below a socket.

Some parts of this product can become very hot and cause burns. Do not touch the appliance when in use or shortly after use. Do not rest the power cable on the appliance when hot.

This appliance must not be supplied through an external switching device, such as a timer, or connected to a circuit that is regularly switched on and off by the utility.

The use of an extension lead or multi-plug adaptor is not advised when connecting this appliance to the mains. Connection through these devices could lead to a risk of overloading, overheating and even fire at the extension lead or adaptor due to inadequate connection quality.

Install the appliance in a vertical position and at a distance of minimum 0.5 m away from furniture and other objects. Never operate the appliance near inflammable or explosive materials or gases.

The first time you use the appliance, a little smoke and smell due to the protective substances applied to the heating element before transport may be given off. This is normal and should not be considered a fault.

Unvented portable heaters use air (oxygen) from the area in which it is used. Adequate combustion and ventilation air must be provided.

Do not store or use gasoline or other flammable vapours and liquids near this device. Keep solid combustibles such as building materials, paper or cardboard, at a safe distance from the device. Never use the device in spaces, which do or may contain volatile or airborne combustibles, or products such as gasoline, solvents, paint thinner, dust particles or unknown chemicals.

Direct-fired heaters may cause carbon monoxide (CO) poisoning when incorrectly used, for example indoors without adequate air circulation, or if not properly working. Carbon monoxide poisoning may lead to death.

Not for use in recreational vehicles and other motor vehicles or trailers equipped with living space and amenities.

The electrical system to which the device is connected must comply with the current legislation. Installation requires a residual current circuit breaker (RCCB) in the main electrical distribution board.

Unplug the device before performing any maintenance operations.

Always check the power cable before using the device. It must not be bent, taut, stretched, crushed or damaged. If the external flexible cable or cord is damaged, it shall be replaced by a special cord or cord exclusively available from the manufacturer or his service agent.

Do not touch the front outlet as it is very hot during operation.

Failure to comply with the precautions and instructions in this manual can result in death, serious bodily injury and damage from fire, explosion, burn, asphyxiation, carbon monoxide poisoning, and/or electrical shock.

3. General Guidelines

Refer to the Velleman® Service and Quality Warranty on the last pages of this manual.

All modifications of the device are forbidden for safety reasons. Damage caused by user modifications to the device is not covered by the warranty.

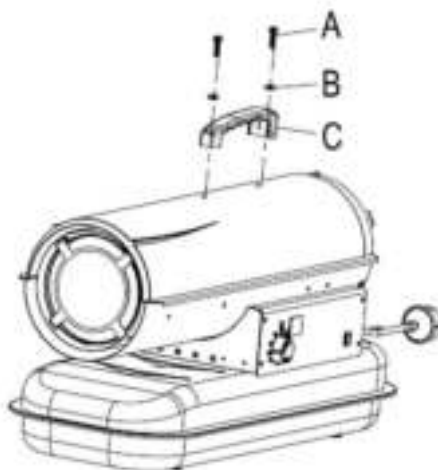
Only use the device for its intended purpose. Using the device in an unauthorised way will void the warranty.

Damage caused by disregard of certain guidelines in this manual is not covered by the warranty and the dealer will not accept responsibility for any ensuing defects or problems.

Nor Velleman nv nor its dealers can be held responsible for any damage (extraordinary, incidental or indirect) – of any nature (financial, physical...) arising from the possession, use or failure of this product.

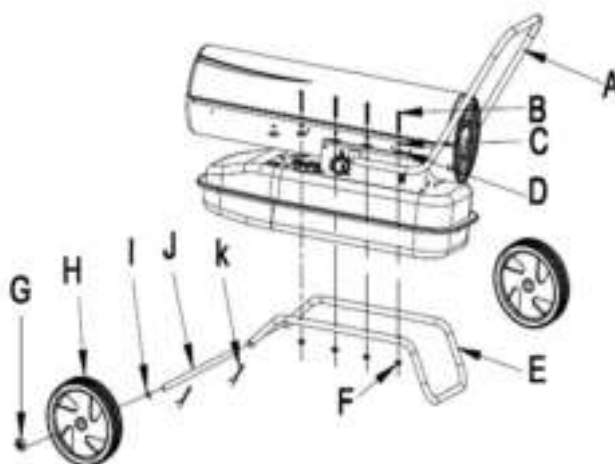
Keep this manual for future reference.

4. Assembly



A	2x screw
B	2x plain washer

C	1x handle
----------	-----------



A	1x handle
B	6x or 8x screw
C	6x or 8x spring washer
D	6x or 8x plain washer
E	1x feet
F	6x or 8x M5 nut

G	2x M12 nut
H	2x wheel
I	2x Ø 12 plain washer
J	1x wheel shaft
K	2x cotter pin

5. Installation

Install vertically on a flat, dry, stable and non-slippery surface.

Direct-fired heaters are intended for use in open outdoor areas or in well-ventilated indoor spaces. For indoor use, provide permanent ventilation of at least 25 cm²/kW, equally distributed between floor and high level, with a minimum of 250 cm².

FT120C	FT130C
600 cm ²	800 cm ²

Install the device in a normal upright position.

Do not place the device near walls, in corners or under low ceilings. Do not place the device below a socket outlet. Do not place the device on moving vehicles or where it can tip over.

Keep the device away from flammable, combustible, explosive or corrosive materials. Do not place the device in the immediate surroundings of a bath, shower or swimming pool. Keep the device away from curtains or similar materials that could block the air inlet and outlet. Never block or restrict the air inlet and outlet for any reason.

Keep the power cable away from heat sources, sharp edges, cutting and moving parts.

Do not expose directly to weather or to excessive humidity.

Install and operate the device on fireproof floors.

Do not connect the direct-fired heater to an air duct.

Follow the general and special fire safety regulations in force in all fields of applications. In any case, ensure the following minimum safety clearances from materials or objects in the surroundings of the device.

side	0.6 m
air inlet side	1 m
top	1.5 m
hot air outlet side	3 m
floor	0 m

6. Fuel

Diesel heaters work with paraffin or diesel. Paraffin gives the cleanest combustion. Be aware that the more dust and dirt that is contained in the fuel, the more ventilation will be required! Use the cleanest fuel possible.

Paraffin may only be stored in blue containers. Red containers are associated with petrol.

Never use other fuels such as petrol, alcohol, oil compounds or similar in this heater. This could lead to fire or explosion.

Never store paraffin in direct sunlight or near a source of heat.

Do not store paraffin in living/work areas but in a well-ventilated area such as a shed, storage area or similar.

Never use paraffin from the previous season. Paraffin deteriorates in quality and will not burn properly as a result.

If you can, use 1-K paraffin in this heater. Other premium quality paraffin may also be used.

7. Operation

7.1 Start-Up

1. Fill the tank with the appropriate fuel. The fuel gauge on top of the tank allows you to check the level.
2. Next, connect to an earthed mains socket.
3. The power indicator will light and the display will show the ambient temperature.
4. Flick the power switch to the on position. If the thermostat control knob temperature is set higher than the ambient temperature, the device will start. The device will stop if the ambient temperature is reached.

7.2 Cold Start-Up

At low ambient temperatures, keep a finger on the air vent hole during the ignition. In case of malfunction (flame failure, reduced airflow, bad combustion), the device will stop and the indicator light starts flashing (lockout mode).

7.3 Manual Reset/Re-Start

If the device is in lockout mode, check and resolve the lockout problem before re-starting. To reset, flick the on-off switch to the off position and then again to the on position.

In case of repeated malfunction, please contact your dealer.

7.4 Switching Off

Flick the on-off switch to the off position and disconnect from the mains.

8. Cleaning and Maintenance

General

Before cleaning, switch of the appliance, disconnect from the mains and allow to cool completely.

Never immerse the appliance in water or any other liquid. Protect it from splashes and spraying liquid.

Occasionally wipe with a damp cloth to keep it looking new. Do not use harsh chemicals, cleaning solvents or strong detergents.

Keep the air inlet and fan free from dust and dirt. To clean inner parts, gently blow compressed air through the air inlet.

Before storing, make sure the device is perfectly cool and dry. Cover the device with a plastic bag and store in a dry, well-ventilated place.

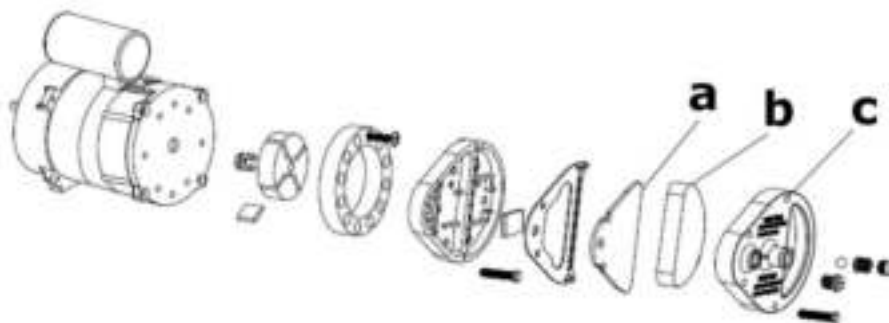
Qualified personnel must carry out the following checks before every seasonal use:

Nozzle

Carefully unscrew the nozzle fitting. Blow compressed air through the nozzle orifice to free it from dirt. Replace the nozzle if necessary.

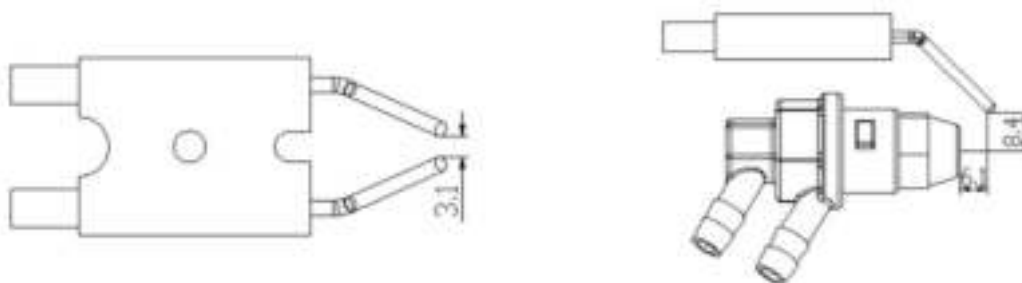
Air Filters

Clean the air filters. Remove the filter end cover [c], wash the air intake filter [b] using a light detergent, and dry it thoroughly before re-installing. Replace the air delivery filter [a] once a year.



Ignition Electrodes

Clean, adjust and, if necessary, replace the ignition electrodes.

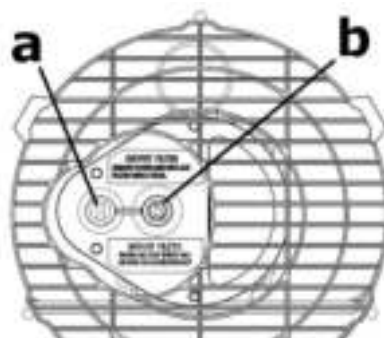


Compressor Pressure Adjustment



The compressor pressure is factory-set and must be checked and adjusted by qualified technicians only. Tampering with the unit may be dangerous.

Remove the pressure gauge cap [a]. Connect a pressure gauge on the pressure measuring port on the rear guard. Start the device and read the air pressure value. If necessary, adjust the pressure to the correct value turning the adjusting screw (the air vent hole [b]) clockwise to increase, or anticlockwise to decrease the pressure.



a | pressure gauge cap

b | air vent hole

Electrical

Inspect all cables, electrical parts and connections.

9. Troubleshooting

Problem	Cause	Remedy
Motor does not start. → E1 is displayed	No power or low voltage.	Check power line and voltage. Check fuse and replace if needed.
	Faulty or damaged power cord.	Check and replace if needed.
	Faulty motor/capacitor.	Check and replace if needed.
	Lock-out of appliance due to previous overheating.	Detect the cause of overheating. Switch off the appliance. Check air inlet and outlet. Wait some minutes and restart the appliance.
→ E2 is displayed	The temperature probe is faulted or the connector for temperature probe is loose.	Check and replace the temperature probe if needed.
		Check and replace the PCB if needed.
Motor runs, but the heater does not ignite and locks out after a short time. → E1 is displayed	Empty fuel tank, dirty or wrong fuel.	Remove wrong or dirty fuel. Fill the tank with clean diesel or kerosene.
	Fuel filter clogged.	Clean or replace fuel filter.
	Air leaks in oil line.	Check hoses, tighten connections and replace if needed.
	Burner nozzle clogged.	Clean nozzle blowing compressed air and replace if needed.
	Fuel viscosity increased at low temperature.	Mix diesel with 10-20 % kerosene.
Flames come out of flue outlet. → E1 is displayed	Insufficient airflow into combustion chamber.	Check air inlet, fan and motor.
	Compressor pressure too high.	Check air pressure and adjust if needed.
Heater stops during operation. → Ambient temperature is displayed	The room temperature set on room thermostat has been reached.	Normal operation. To start, turn the temperature control knob clockwise on a higher setting.
Heater stops during operation. → E1 is displayed	Flame failure.	Check and remove the cause(s) of malfunction. To reset, switch to 0 and then to I. Call technical service if the problem persists.
	Bad combustion.	
	Reduced airflow.	
	Overheating.	

10. Technical Specifications

power supply 220-240 V~, 50 Hz, 230 W
 fuel diesel/kerosene
 IP rating IPX4

FT120C

power..... 20 kW
 heat output.....68240 BTU/h
 fuel tank capacity 19 L
 heating surface 220-300 m²
 fuel consumption 1.94 L/h
 air flow.....550 m³/h
 dimensions 750 x 315 x 415 mm
 weight..... 14 kg

Information requirements for gaseous/liquid fuel local space heaters

Model identifier(s): FT120C								
Indirect heating functionality: no								
Direct heat output: 20 (kW)								
Indirect heat output: N.A. (kW)								
Fuel						Space heating emissions (*)		
						NO _x		
Select fuel type		liquid		kerosene		79 [mg/kWh _{input}] (GCV)		
Item	Symbol	Value	Unit		Item	Symbol	Value	Unit
Heat output				Useful efficiency (NCV)				
Nominal heat output	P _{nom}	20.0	kW	Useful efficiency at nominal heat output	η _{th,nom}	100	%	
Minimum heat output (indicative)	P _{min}	N.A.	kW	Useful efficiency at minimum heat output (indicative)	η _{th,min}	N.A.	%	
Auxiliary electricity consumption				Type of heat output/room temperature control (select one)				
At nominal heat output	e _{lmax}	0.002	kW	single stage heat output, no room temperature control			no	
At minimum heat output	e _{lmin}	N.A.	kW	two or more manual stages, no room temperature control			no	
In standby mode	e _{lsb}	N.A.	kW	with mechanic thermostat room temperature control			no	
				with electronic room temperature control			yes	
				with electronic room temperature control plus day timer			no	
				with electronic room temperature control plus week timer			no	

				Other control options (multiple selections possible)			
				room temperature control, with presence detection	no		
				Room temperature control, with open window detection	no		
				with distance control option	no		
				with adaptive start control	no		
				with working time limitation	no		
				with black bulb sensor	no		
Permanent pilot flame power requirement							
Pilot flame power requirement (if applicable)	P_{pilot}	0	kW				
Contact details	Velleman NV Legen Heirweg, 33 9890 Gavere, Belgium						
(*) NO_x = nitrogen oxides							

FT130C

power..... 30 kW
 heat output..... 10236 BTU/h
 fuel tank capacity 38 L
 heating surface 320-420 m²
 fuel consumption 2.80 L/h
 air flow..... 720 m³/h
 dimensions 880 x 456 x 590 mm
 weight..... 21 kg

Information requirements for gaseous/liquid fuel local space heaters

Model identifier(s): FT130C							
Indirect heating functionality: no							
Direct heat output: 30 (kW)							
Indirect heat output: N.A. (kW)							
Fuel				Space heating emissions (*)			
				NO _x			
Select fuel type	liquid		kerosene	69 [mg/kWh_{input}] (GCV)			
Item	Symbol	Value	Unit	Item	Symbol	Value	Unit
Heat output				Useful efficiency (NCV)			
Nominal heat output	P_{nom}	30.0	kW	Useful efficiency at nominal heat output	$\eta_{th,nom}$	100	%
Minimum heat output (indicative)	P_{min}	N.A.	kW	Useful efficiency at minimum heat output (indicative)	$\eta_{th,min}$	N.A.	%

Auxiliary electricity consumption				Type of heat output/room temperature control (select one)			
At nominal heat output	el _{max}	0.002	kW	single stage heat output, no room temperature control			no
At minimum heat output	el _{min}	N.A.	kW	two or more manual stages, no room temperature control			no
In standby mode	el _{SB}	N.A.	kW	with mechanic thermostat room temperature control			no
				with electronic room temperature control			yes
				with electronic room temperature control plus day timer			no
				with electronic room temperature control plus week timer			no
				Other control options (multiple selections possible)			
				room temperature control, with presence detection			no
				Room temperature control, with open window detection			no
				with distance control option			no
				with adaptive start control			no
				with working time limitation			no
				with black bulb sensor			no
Permanent pilot flame power requirement							
Pilot flame power requirement (if applicable)	P _{pilot}	0	kW				
Contact details	Velleman NV Legen Heirweg, 33 9890 Gavere, Belgium						
(*) NO _x = nitrogen oxides							

Use this device with original accessories only. Velleman nv cannot be held responsible in the event of damage or injury resulting from (incorrect) use of this device. For more info concerning this product and the latest version of this manual, please visit our website www.velleman.eu. The information in this manual is subject to change without prior notice.

© COPYRIGHT NOTICE

The copyright to this manual is owned by Velleman nv. All worldwide rights reserved. No part of this manual may be copied, reproduced, translated or reduced to any electronic medium or otherwise without the prior written consent of the copyright holder.

HANDLEIDING

1. Inleiding



Aan alle ingezetenen van de Europese Unie

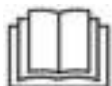
Belangrijke milieu-informatie betreffende dit product

Dit symbool op het toestel of de verpakking geeft aan dat, als het na zijn levenscyclus wordt weggeworpen, dit toestel schade kan toebrengen aan het milieu. Gooi dit toestel (en eventuele batterijen) niet bij het gewone huishoudelijke afval; het moet bij een gespecialiseerd bedrijf terecht komen voor recycling. U moet dit toestel naar uw verdeler of naar een lokaal recyclingpunt brengen. Respecteer de plaatselijke milieuwetgeving.

Hebt u vragen, contacteer dan de plaatselijke autoriteiten betreffende de verwijdering.

Bedankt voor uw aankoop! Lees deze handleiding grondig door voor u het toestel in gebruik neemt. Werd het toestel beschadigd tijdens het transport, installeer het dan niet en raadpleeg uw dealer.

2. Veiligheidsvoorschriften



Lees en begrijp deze handleiding en de veiligheidsinstructies vóór ingebruikname.



Waarschuwing: Dek het toestel nooit af om oververhitting te voorkomen.

Dit toestel is geschikt voor gebruik door kinderen vanaf 8 jaar, door personen met fysieke, zintuiglijke of verstandelijke beperkingen, of door personen met gebrek aan ervaring en kennis, op voorwaarde dat dit onder toezicht gebeurt van een persoon die verantwoordelijk is voor hun veiligheid of hun aanwijzingen heeft gegeven, hoe zij het toestel moeten gebruiken en zich bewust zijn van de risico's die het gebruik van het toestel met zich meebrengt. Kinderen mogen niet met het toestel spelen. De reiniging en het onderhoud van het toestel mogen niet worden uitgevoerd door kinderen, tenzij ze onder toezicht staan.

Indien de externe, flexibele kabel beschadigd is, dan moet deze door de fabrikant, diens servicedienst, of een gelijkwaardig bekwaam persoon vervangen worden, om gevaar te vermijden.

Gebruik het toestel niet in de onmiddellijke nabijheid van een bad, een douche of een zwembad. Plaats het toestel niet onder een stopcontact.

Sommige onderdelen kunnen zeer warm worden en brandwonden veroorzaken. Raak het toestel niet aan wanneer in gebruik of kort na gebruik. Leg de voedingskabel niet op het warme toestel.

Dit toestel mag niet gevoed worden via een extern schakeltoestel, zoals een timer, of aangesloten zijn op een circuit dat regelmatig in- en uitgeschakeld wordt door de energieleverancier.

Gebruik geen verdeelstekker of verlengsnoer om het toestel op het lichtnet aan te sluiten. Het gebruik van deze toestellen kan leiden tot overbelasting, oververhitting en zelfs tot brand.

Plaats het toestel in verticale positie en houd op een minimumafstand van 0.5 m van meubels en andere voorwerpen. Gebruik het toestel nooit in de buurt van brandbare, explosieve materialen of gassen.

Wanneer u het toestel voor het eerst gebruikt, kan een beetje rook en geur vrijkomen door de beschermende middelen die vóór het transport op het verwarmingselement zijn aangebracht. Dit is normaal en moet niet als een defect worden beschouwd.

Niet-ventilerende toestellen gebruiken de lucht (zuurstof) waarin ze worden gebruikt. Zorg voor een correcte verbranding en ventilatie.

Bewaar of gebruik geen benzine of andere ontvlambare gassen en vloeistoffen in de nabijheid van dit toestel. Houd ontvlambare materialen zoals bouwmaterialen, papier of karton op een veilige afstand van het toestel. Gebruik het toestel nooit in een ruimte waar zich producten zoals benzine, oplosmiddelen, verfverduunners of andere ontvlambare materialen en chemicaliën bevinden.

Een verkeerd gebruik van verwarmingstoestellen met directe verbranding kan leiden tot koolmonoxidevergiftiging (bv. binnenshuis zonder voldoende luchtcirculatie of als het toestel niet correct functioneert). Koolmonoxidevergiftiging kan leiden tot de dood.

Het toestel is niet geschikt voor huishoudelijk gebruik of in voertuigen voor recreatieve doeleinden.

De elektrische installatie waar het toestel op aangesloten is moet voldoen aan de huidige regelgeving. De installatie vereist een reststroomonderbreker (RCCB) in de hoofdverdeelkast.

Trek de stekker uit het stopcontact voor het onderhoud.

Controleer steeds de voedingskabel voor gebruik. Deze mag niet gebogen, geknikt, gekneld of beschadigd zijn. Indien de voedingskabel beschadigd is, dan moet deze door de fabrikant of diens servicedienst vervangen worden.

Raak het mondstuk niet aan. Deze wordt zeer warm tijdens het gebruik.

Het niet naleven van deze instructies kan dood, ernstige lichamelijke letsels, schade door brand, explosie, brandwonden, verstikking of koolmonoxidevergiftiging en/of een elektrische schok tot gevolg hebben.

3. Algemene richtlijnen

Raadpleeg de Velleman® service- en kwaliteitsgarantie achteraan deze handleiding.

Om veiligheidsredenen mag u geen wijzigingen aanbrengen. Schade door wijzigingen die de gebruiker heeft aangebracht aan het toestel valt niet onder de garantie.

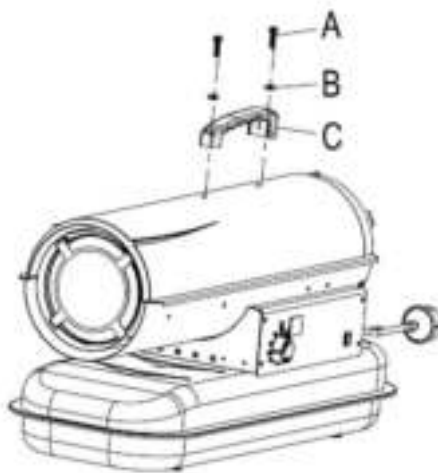
Gebruik het toestel enkel waarvoor het gemaakt is. De garantie vervalt automatisch bij ongeoorloofd gebruik.

De garantie geldt niet voor schade door het negeren van bepaalde richtlijnen in deze handleiding en uw dealer zal de verantwoordelijkheid afwijzen voor defecten of problemen die hier rechtstreeks verband mee houden.

Noch Velleman nv noch zijn verdelers kunnen aansprakelijk gesteld worden voor schade (buitengewoon, incidenteel of onrechtstreeks) – van welke aard dan ook (financieel, fysisch...) voortvloeiend uit het bezit, gebruik of falen van dit product.

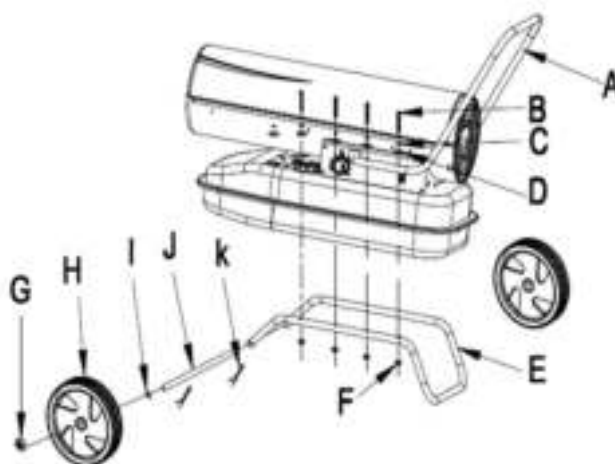
Bewaar deze handleiding voor verdere raadpleging.

4. Omschrijving



A	2x schroef
B	2x platte ring

C	1x handgreep
----------	--------------



A	1x handgreep
B	6x of 8x schroef
C	6x of 8x veerring
D	6x of 8x platte ring
E	1x voet
F	6x of 8x M5 moer

G	2x M12 moer
H	2x wiel
I	2x Ø 12 platte ring
J	1x wielas
K	2x splitpen

5. Montage

Plaats het toestel in verticale positie op een vlak, droog, stabiel en slipvrij oppervlak.

Verwarmingstoestellen met directe verbranding zijn bestemd voor gebruik buitenshuis of in goed geventileerde binnenruimten. Voor gebruik in ruimten, zorg voor een continue ventilatie met een minimaal oppervlak van 25 cm²/kW thermisch vermogen, die op gelijkmatige wijze over de boven- en onderkant van de ruimte verdeeld zijn, met een minimum van 250 cm².

FT120C	FT130C
600 cm ²	800 cm ²

Plaats het toestel in een normale rechtopstaande positie.

Plaats het toestel niet in de buurt van wanden, randen of lage plafonds. Plaats het toestel niet onder een stopcontact. Plaats het toestel niet op bewegende voertuigen of op plaatsen waar het kan omvallen.

Houd het toestel uit de buurt van ontvlambare, brandbare, explosieve of corrosieve materialen. Plaats het toestel niet in de onmiddellijke nabijheid van een bad, douche of zwembad. Houd het toestel uit de buurt van gordijnen of gelijkaardige materialen die de luchtinlaat en -uitlaat kunnen blokkeren. Blokkeer nooit de luchtinlaat en -uitlaat.

Houd de voedingskabel uit de buurt van warmtebronnen, scherpe randen en snijdende of bewegende delen.

Stel het toestel niet bloot aan weersomstandigheden of aan vocht.

Plaats en gebruik het toestel op een niet-brandbaar oppervlak.

Sluit het toestel niet aan op een luchtkanaal.

Volg de algemene en speciale geldende brandveiligheidsvoorschriften. Zorg in elk geval voor de volgende minimum veiligheidsafstanden t.o.v. voorwerpen en materialen in de buurt van het toestel.

zijkant	0.6 m
luchtinlaat	1 m
bovenkant	1.5 m
luchtuitleat	3 m
vloer	0 m

6. Brandstof

Verwarmingstoestellen op diesel werken op kerosine of diesel. Kerosine geeft de schoonste verbranding. Let erop dat, hoe meer stof en vervuiling er in de brandstof zit, hoe meer ventilatie vereist is! Gebruik de zuiverst mogelijke brandstof.

Kerosine mag alleen worden opgeslagen in blauwe containers. Rode containers worden geassocieerd met benzine.

Gebruik nooit andere brandstoffen zoals benzine, alcohol, olieverbindingen in dit toestel. Dit kan brand of een explosie veroorzaken.

Sla kerosine nooit op in direct zonlicht of in de nabijheid van een warmtebron.

Bewaar kerosine niet in een woon-/werkruimte maar in een goed geventileerde ruimte (bv. schuur, opslagplaats).

Gebruik nooit kerosine van het vorige seizoen. De kwaliteit van kerosine gaat achteruit en zal niet goed branden.

Gebruik bij voorkeur 1-K kerosine in dit toestel. Een andere hoogwaardige kerosine is ook geschikt.

7. Gebruik

7.1 Ingebruikname

1. Vul het reservoir met de geschikte brandstof. De brandstofmeter (bovenkant) geeft het niveau van de brandstof weer.
2. Sluit het toestel alleen op een geaard stopcontact aan.
3. De voedingsled licht op en de omgevingstemperatuur verschijnt op de display.
4. Zet de aan/uit-schakelaar op ON. Het toestel start wanneer de ingestelde temperatuur hoger is dan de omgevingstemperatuur. Het toestel stopt wanneer de omgevingstemperatuur is bereikt.

7.2 Koud starten

Bij zeer lage temperaturen, houd een vinger op de ventilatieopening tijdens het starten. Bij storingen (geen vlam, beperkte luchttoevoer, slechte verbranding), stopt het toestel en begint de led te knipperen ('lockout'-modus).

7.3 Handmatig resetten/herstarten

Als het toestel in 'lockout'-modus is, zoek naar de oorzaak van de blokkering alvorens het toestel opnieuw op te starten. Om te resetten, zet de aan/uit-schakelaar op OFF en daarna opnieuw op ON.

Bij herhaaldelijke storingen, contacteer uw verdeler.

7.4 Uitschakelen

Zet de aan/uit-schakelaar op OFF en trek de stekker uit het stopcontact.

8. Reiniging en onderhoud

Algemeen

Schakel het toestel uit, trek de stekker uit het stopcontact en laat het volledig afkoelen voordat u het toestel reinigt.

Dompel het toestel nooit onder in water of een andere vloeistof. Bescherm het toestel tegen opspattend water en andere vloeistoffen.

Reinig het toestel af en toe met een vochtige doek. Gebruik geen bijtende chemische producten, reinigingsmiddelen of sterke detergents.

Houd de luchtinlaat en de ventilator vrij van stof en vuil. Blaas voorzichtig perslucht door de luchtinlaat en -uitlaat om de interne onderdelen te reinigen.

Controleer of het toestel volledig afgekoeld en droog is voordat u het opbergt. Bedek het toestel met een plastic zak. Bewaar op een droge, goed geventileerde plaats.

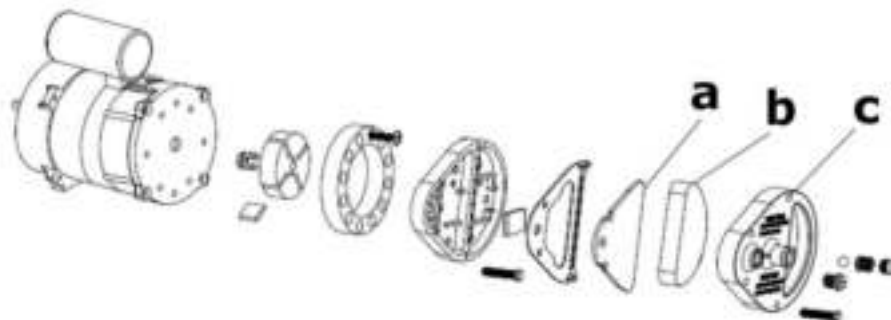
Laat een vakman elk jaar voor gebruik de volgende onderdelen controleren:

Mondstuk

Draai voorzichtig het mondstuk uit de houder. Blaas perslucht door het mondstuk om het vuil te verwijderen. Vervang het mondstuk indien nodig.

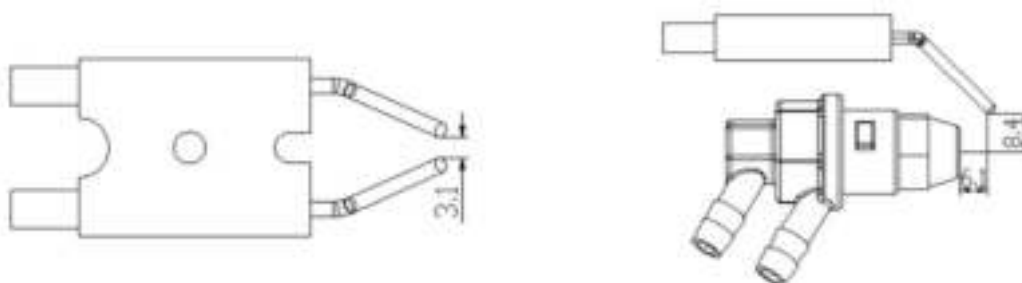
Luchtfilters

Reinig de luchtfilters. Verwijder het rooster [1], was de luchtinlaatfilter [b] met een mild reinigingsmiddel en droog deze zorgvuldig alvorens opnieuw te monteren. Vervang de luchtuitlaatfilter [a] eenmaal per jaar.



Ontstekingselektrodes

Reinig, stel af en vervang de ontstekingselektrodes indien nodig.

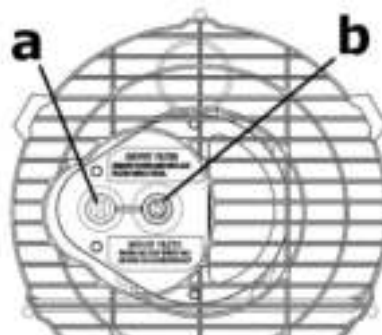


Drukregeling van de compressor



De compressordruk is in de fabriek ingesteld en mag alleen door een vakman gecontroleerd en ingesteld worden. Een wijziging van het toestel kan gevaarlijk zijn.

Verwijder de dop van de manometer [a]. Sluit een manometer op de drukaansluiting van het achterste rooster aan. Start het toestel en lees de drukwaarde af. Indien nodig, regel de druk door de schroef (ventilatieopening [b]) rechtsom (hogere druk) of linksom (lagere druk) te draaien.



a dop manometer

b ventilatieopening

Elektrische gegevens

Controleer de kabels, de elektrische componenten en de aansluitingen.

9. Problemen en oplossingen

Probleem	Oorzaak	Oplossing
De motor start niet. → E1 verschijnt op de display	Geen of lage spanning.	Controleer de voedingskabel en de spanning. Controleer en vervang indien nodig.
	De voedingskabel is ontkoppeld of beschadigd.	Controleer en vervang indien nodig.
	Defecte motor/condensator.	Controleer en vervang indien nodig.
	Het toestel is in 'lockout'-modus door oververhitting.	Zoek de storing, schakel het toestel uit, controleer de luchtin- en -uitgang, laat het toestel afkoelen en start opnieuw op.
→ E2 verschijnt op de display	De temperatuursonde geeft een fout aan of is losgekomen.	Controleer de temperatuursonde en vervang indien nodig.
		Controleer de printplaat en vervang indien nodig.
De motor draait maar de vlam ontsteekt niet. → E1 verschijnt op de display	Geen brandstof, vuile of verkeerde brandstof.	Verwijder de verkeerde brandstof. Vul het reservoir met propere diesel of kerosine.
	Verstopte brandstoffilter.	Reinig of vervang de filter.
	Lekken in de toevoerleiding.	Controleer de leidingen en draai de aansluitingen vast.
	Het mondstuk van de brander is verstopt.	Maak het mondstuk van de brander schoon met perslucht en vervang indien nodig.
	Toename viscositeit van de brandstof bij lage temperatuur.	Meng de diesel met 10-20% kerosine.
Er komen vlammen uit de luchtuitlaat. → E1 verschijnt op de display	Onvoldoende luchttoevoer in de verbrandingskamer.	Controleer de luchtinlaat, de ventilator en de motor.
	Te hoge compressordruk.	Controleer de luchtdruk en stel af.
Het toestel stopt tijdens de werking. → Omgevingstemperatuur verschijnt op de display	De omgevingstemperatuur heeft de ingestelde waarde bereikt.	Dit is normaal. Stel een hogere temperatuur in om het toestel te herstarten.
Het toestel stopt tijdens de werking. → E1 verschijnt op de display	Geen vlam.	Controleer het toestel en los de problemen op. Schakel het toestel uit en daarna opnieuw in om het toestel te resetten. Neem contact op met de technische dienst.
	Slechte verbranding.	
	Beperkte luchttoevoer.	
	Oververhitting.	

10. Technische specificaties

voeding 220-240 V~, 50 Hz, 230 W
 brandstof..... diesel/kerosine
 IP-norm..... IPX4

FT120C

vermogen 20 kW
 temperatuur..... 68240 BTU/h
 inhoud tank 19 L
 te verwarmen ruimte 220-300 m²
 brandstofverbruik 1.94 L/h
 luchttoevoer..... 550 m³/h
 afmetingen 750 x 315 x 415 mm
 gewicht 14 kg

Informatie-eisen voor toestellen voor lokale ruimteverwarming die gasvormige of vloeibare brandstof gebruiken

Typeaanduiding(en): FT120C								
Indirecte verwarmingsfunctionaliteit: neen								
Directe warmteafgifte: 20 (kW)								
Indirecte warmteafgifte: n.v.t. (kW)								
Brandstof					Uitstoot bij ruimteverwarming (*)			
					NO _x			
Selecteer brandstoftype			vloeibaar		kerosine		79 [mg/kWh _{input}] (GCV)	
Item	Symbol	Waarde	Eenheid		Item	Symbol	Waarde	Eenheid
Temperatuur					Nuttig rendement (NCV)			
Nominale warmteafgifte	P _{nom}	20.0	kW		Nuttig rendement bij nominale warmteafgifte	η _{th, nom}	100	%
Minimale warmteafgifte (indicatief)	P _{min}	n.v.t.	kW		Nuttig rendement bij minimale warmteafgifte	η _{th, min}	n.v.t.	%
Aanvullend elektriciteitsverbruik					Type warmteafgifte/sturing kamertemperatuur (selecteer één)			
Bij nominale warmteafgifte	e _{lmax}	0.002	kW		Eentrapswarmteafgifte, geen sturing van de kamertemperatuur			neen
Bij minimale warmteafgifte	e _{lmin}	n.v.t.	kW		Twee of meer handmatig in te stellen trappen, geen sturing van de kamertemperatuur			neen
In stand-bymodus	e _{lsb}	n.v.t.	kW		Met mechanische sturing van de kamertemperatuur door thermostaat			neen
					Met elektronische sturing van de kamertemperatuur			ja
					Elektronische sturing van de kamertemperatuur plus dag-tijdschakelaar			neen
					Elektronische sturing van de kamertemperatuur plus week-tijdschakelaar			neen

				Andere sturingsopties (meerdere selecties mogelijk)			
				Sturing van de kamertemperatuur, met aanwezigheidsdetectie	neen		
				Sturing van de kamertemperatuur, met openraamdetectie	neen		
				Met de optie van afstandsbediening	neen		
				Met adaptieve sturing van de start	neen		
				Met beperking van de werkingstijd	neen		
				Met black-bulbsensor	neen		
Vermogens eis voor de permanente waakvlam							
Vermogens eis voor de permanente waakvlam (indien van toepassing)	P_{pilot}	0	kW				
Contactgegevens	Velleman NV Legen Heirweg 33, 9890 Gavere, België						
(*) NO _x = stikstofoxiden							

FT130C

vermogen	30 kW
temperatuur.....	10236 BTU/h
inhoud tank	38 L
te verwarmen ruimte	320-420 m ²
brandstofverbruik	2.80 L/h
luchttoevoer.....	720 m ³ /h
afmetingen	880 x 456 x 590 mm
gewicht	21 kg

Informatie-eisen voor toestellen voor lokale ruimteverwarming die gasvormige of vloeibare brandstof gebruiken

Typeaanduiding(en): FT130C							
Indirecte verwarmingsfunctionaliteit: neen							
Directe warmteafgifte: 30 (kW)							
Indirecte warmteafgifte: n.v.t. (kW)							
Brandstof						Uitstoot bij ruimteverwarming (*)	
						NO _x	
Selecteer brandstoftype	vloeibaar		kerosine		69 [mg/kWh _{input}] (GCV)		
Item	Symbol	Waarde	Eenheid	Item	Symbol	Waarde	Eenheid
Temperatuur				Nuttig rendement (NCV)			
Nominale warmteafgifte	P_{nom}	30.0	kW	Nuttig rendement bij nominale warmteafgifte	$\eta_{th,nom}$	100	%
Minimale warmteafgifte (indicatief)	P_{min}	n.v.t.	kW	Nuttig rendement bij minimale warmteafgifte	$\eta_{th,min}$	n.v.t.	%

Aanvullend elektriciteitsverbruik				Type warmteafgifte/sturing kamertemperatuur (selecteer één)			
Bij nominale warmteafgifte	$e_{l_{max}}$	0.002	kW	Eentrapswarmteafgifte, geen sturing van de kamertemperatuur			neen
Bij minimale warmteafgifte	$e_{l_{min}}$	n.v.t.	kW	Twee of meer handmatig in te stellen trappen, geen sturing van de kamertemperatuur			neen
In stand-bymodus	$e_{l_{SB}}$	n.v.t.	kW	Met mechanische sturing van de kamertemperatuur door thermostaat			neen
				Met elektronische sturing van de kamertemperatuur			ja
				Elektronische sturing van de kamertemperatuur plus dag-tijdschakelaar			neen
				Elektronische sturing van de kamertemperatuur plus week-tijdschakelaar			neen
				Andere sturingsopties (meerdere selecties mogelijk)			
				Sturing van de kamertemperatuur, met aanwezigheidsdetectie			neen
				Sturing van de kamertemperatuur, met openraamdetectie			neen
				Met de optie van afstandsbediening			neen
				Met adaptieve sturing van de start			neen
				Met beperking van de werkingstijd			neen
				Met black-bulbsensor			neen
Vermogenseis voor de permanente waakvlam							
Vermogenseis voor de permanente waakvlam (indien van toepassing)	P_{pilot}	0	kW				
Contactgegevens	Velleman NV Legen Heirweg 33, 9890 Gavere, België						
(*) NO _x = stikstofoxiden							

Gebruik dit toestel enkel met originele accessoires. Velleman nv is niet aansprakelijk voor schade of kwetsuren bij (verkeerd) gebruik van dit toestel. Voor meer informatie over dit product en de laatste versie van deze handleiding, zie www.velleman.eu. De informatie in deze handleiding kan te allen tijde worden gewijzigd zonder voorafgaande kennisgeving.

© AUTEURSRECHT

Velleman nv heeft het auteursrecht voor deze handleiding. Alle wereldwijde rechten voorbehouden. Het is niet toegestaan om deze handleiding of gedeelten ervan over te nemen, te kopiëren, te vertalen, te bewerken en op te slaan op een elektronisch medium zonder voorafgaande schriftelijke toestemming van de rechthebbende.

MODE D'EMPLOI

1. Introduction



Aux résidents de l'Union européenne

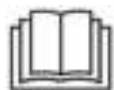
Informations environnementales importantes concernant ce produit

Ce symbole sur l'appareil ou l'emballage indique que l'élimination d'un appareil en fin de vie peut polluer l'environnement. Ne pas jeter un appareil électrique ou électronique (et des piles éventuelles) parmi les déchets municipaux non sujets au tri sélectif ; une déchetterie traitera l'appareil en question. Renvoyer l'appareil à votre fournisseur ou à un service de recyclage local. Respecter la réglementation locale relative à la protection de l'environnement.

En cas de questions, contacter les autorités locales pour élimination.

Nous vous remercions de votre achat ! Lire attentivement le présent mode d'emploi avant la mise en service de l'appareil. Si l'appareil a été endommagé pendant le transport, ne pas l'installer et consulter votre revendeur.

2. Consignes de sécurité



Lire et comprendre ce mode d'emploi et toutes les consignes de sécurité avant d'utiliser l'appareil.



Avertissement : Pour éviter une surchauffe, ne jamais couvrir l'appareil.

Cet appareil peut être utilisé par des enfants âgés de 8 ans et plus et des personnes manquant d'expérience et de connaissances ou dont les capacités physiques, sensorielles ou mentales sont réduites, si elles ont été formées et encadrées quant à l'utilisation de l'appareil d'une manière sûre et connaissent les risques encourus. Ne pas laisser les enfants jouer avec l'appareil. Le nettoyage et l'entretien ne doivent pas être effectués par des enfants sans surveillance.

Si le câble flexible externe est endommagé, il doit être remplacé par le fabricant, son service technique ou toute autre personne qualifiée, pour éviter tout danger.

Ne pas utiliser l'appareil à proximité d'une baignoire, d'une douche ou d'une piscine. Ne pas installer l'appareil juste au-dessous d'une prise de courant.

Certaines pièces de l'appareil peuvent devenir très chaudes et causer des brûlures ! Ne pas toucher l'appareil lors de l'utilisation ou peu de temps après l'utilisation. Ne pas poser le câble d'alimentation sur l'appareil chaud.

L'appareil ne doit pas être alimenté par un commutateur externe (p. ex. minuterie) ni être connecté à un circuit régulièrement allumé et éteint par l'installation électrique.

Ne pas utiliser de multiprise ou de rallonge pour brancher l'appareil sur le réseau électrique. Cela risque d'entraîner une surcharge, une surchauffe ou même un incendie.

Installer l'appareil en position verticale et à une distance de 0.5 m des meubles et autres appareils. Ne jamais utiliser l'appareil à proximité de matériaux ou gaz inflammables ou explosifs.

Lors de la première utilisation, un léger dégagement d'odeur et de fumée peut se produire dû aux substances appliquées à l'élément chauffant avant le transport pour le protéger. Cela est normal et ne doit pas être considéré comme un dysfonctionnement.

Les générateurs d'air chaud à combustion directe exploitent l'air (oxygène) contenu dans l'atmosphère dans laquelle ils sont utilisés. Fournir une quantité d'air appropriée pour la ventilation et la combustion.

Ne pas stocker ni utiliser d'essence ou d'autres substances inflammables à proximité de cet appareil. Garder les substances inflammables solides telles que les matériaux de construction, le papier ou le carton à une distance de sécurité de l'appareil. Ne pas utiliser l'appareil dans des endroits contenant ou susceptibles de contenir des substances inflammables volatiles ou dispersées dans l'air, ou des produits tels que de l'essence, des solvants, des diluants pour peintures, des poudres ou des substances chimiques inconnues.

Les générateurs d'air chaud à combustion directe peuvent causer une intoxication au monoxyde de carbone (CO) s'ils sont utilisés de manière impropre (p. ex. dans des endroits dépourvus d'une circulation d'air appropriée ou s'ils ne fonctionnent pas correctement). L'intoxication au CO peut entraîner la mort.

L'appareil n'est pas destiné à un usage domestique ou dans des véhicules de loisirs.

L'installation électrique à laquelle l'appareil est connecté doit être conforme aux lois et aux normes en vigueur. L'installation exige un disjoncteur à courant résiduel (RCCB) dans le tableau de distribution électrique principal.

Débrancher l'appareil avant tout entretien.

Toujours contrôler le câble d'alimentation avant d'utiliser l'appareil. Il ne doit pas être plié, tordu, coincé, écrasé ou endommagé. Si le câble d'alimentation est endommagé, demander au fabricant ou à son agent de service de le remplacer.

La sortie d'air frontale est très chaude pendant le fonctionnement. Ne pas toucher.

Le non-respect des précautions et des instructions fournies avec l'appareil peut causer la mort, des blessures personnelles graves, la perte de biens ou des dommages dérivant de risques d'incendie, de brûlures, d'asphyxie, d'intoxication au monoxyde de carbone et/ou d'électrocution.

3. Directives générales

Se référer à la garantie de service et de qualité Velleman® en fin de ce mode d'emploi.

Toute modification est interdite pour des raisons de sécurité. Les dommages occasionnés par des modifications par le client ne tombent pas sous la garantie.

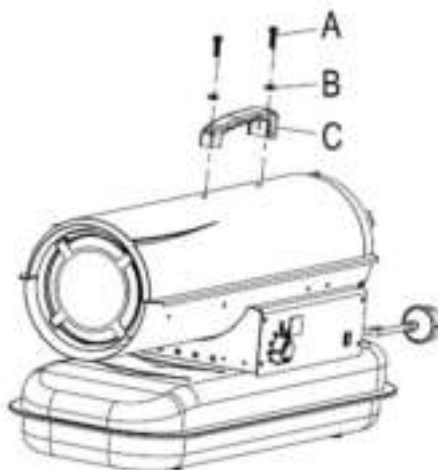
N'utiliser l'appareil qu'à sa fonction prévue. Un usage impropre annule d'office la garantie.

La garantie ne se s'applique pas aux dommages survenus en négligeant certaines directives de ce mode d'emploi et votre revendeur déclinera toute responsabilité pour les problèmes et les défauts qui en résultent.

Ni Velleman SA ni ses distributeurs ne peuvent être tenus responsables des dommages exceptionnels, imprévus ou indirects, quelles que soient la nature (financière, corporelle, etc.), causés par la possession, l'utilisation ou le dysfonctionnement de ce produit.

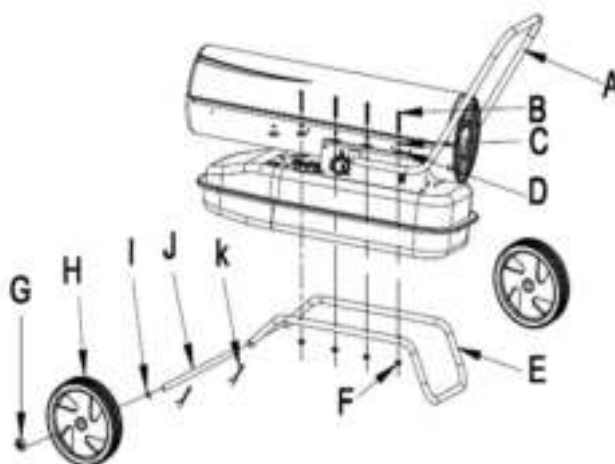
Garder ce mode d'emploi pour toute référence ultérieure.

4. Description



A	2x vis
B	2x rondelle plate

C	1x poignée
----------	------------



A	1x poignée
B	6x ou 8x vis
C	6x ou 8x rondelle à ressort
D	6x ou 8x rondelle plate
E	1x support
F	6x ou 8x écrou M5

G	2x écrou M12
H	2x roue
I	2x rondelle plate Ø 12
J	1x essieu
K	2x goupille

5. Installation

Installer l'appareil en position verticale sur une surface plane, sèche, stable et antidérapante.

Les générateurs d'air chaud à combustion directe sont destinés à un usage en extérieur ou à l'intérieur de locaux bien ventilés. Pour une utilisation à l'intérieur, prévoir une ventilation continue ayant une aire minimale de 25 cm²/kW de puissance thermique, équitablement distribuées en haut et en bas, avec un minimum de 250 cm².

FT120C	FT130C
600 cm ²	800 cm ²

Placer l'appareil dans une position droite et horizontale.

Ne pas placer l'appareil à proximité des murs, des coins ou des plafonds bas. Ne pas placer l'appareil en dessous d'une prise électrique. Ne pas placer l'appareil à bord de véhicules en mouvement ou plus généralement à un endroit où il risque de se renverser.

Tenir l'appareil loin de matériaux inflammables, combustibles, explosifs ou corrosifs. Ne pas placer à proximité de piscines, salles de bains ou douches. Tenir l'appareil loin de rideaux, stores, bâches ou autres matériels similaires susceptibles d'obstruer l'entrée ou la sortie d'air. Ne jamais obstruer, pour quelque raison que ce soit, l'entrée et la sortie d'air.

Garder le câble d'alimentation loin de sources de chaleur, d'arêtes aiguës, de parties coupantes ou en mouvement.

Ne pas exposer directement l'appareil aux intempéries ou à une humidité excessive.

Installer et utiliser l'appareil sur des surfaces ignifuges.

Ne pas connecter les appareils à combustion directe à des conduits de canalisation de l'air.

Se conformer aux normes contre les incendies générales et locales en vigueur. Garantir en tout cas les distances de sécurité minimales de tout objet ou matériau se trouvant dans la zone de l'appareil.

latéral	0.6 m
entrée d'air	1 m
supérieur	1.5 m
sortie d'air	3 m
sol	0 m

6. Combustible

Les appareils de chauffage au diesel fonctionnent avec du kérosène ou du diesel. Le kérosène assure la combustion la plus propre. Plus le combustible contient des poussières et des impuretés, plus les exigences de ventilation seront élevées ! Utiliser du combustible aussi pur que possible.

Le kérosène doit uniquement être stocké dans des conteneurs bleus. Les conteneurs rouges sont associés à l'essence.

Ne jamais utiliser d'autres combustibles, tels qu'essence, alcool, substances huileuses, etc. dans cet appareil. Cela peut causer un incendie ou une explosion.

Ne jamais stocker du kérosène sous la lumière directe du soleil ou près d'une source de chaleur.

Ne pas conserver de kérosène dans un lieu de séjour/travail mais dans un endroit bien ventilé (p. ex. atelier, lieu de stockage).

Ne jamais utiliser de kérosène de la saison précédente. La qualité du kérosène se détériore et entraîne une mauvaise combustion.

Utiliser de préférence du kérosène 1-K pour cet appareil. Un autre kérosène de première qualité est une bonne alternative.

7. Emploi

7.1 Mise en service

1. Remplir le réservoir du combustible approprié. La jauge de combustible sur la partie supérieure du réservoir vous permet de contrôler le niveau du combustible.
2. Brancher uniquement sur une prise de courant avec mise à la terre.
3. L'indicateur d'alimentation s'allume et la température ambiante s'affiche.
4. Mettre l'interrupteur on/off sur ON. L'appareil démarre lorsque la température réglée est supérieure à la température ambiante. L'appareil s'arrête lorsque la température ambiante est atteinte.

7.2 Mise en marche à froid

A des températures très basses, tenir le doigt sur l'orifice d'aération pendant l'allumage. En cas d'anomalies de fonctionnement (absence de flamme, débit d'air réduit, mauvaise combustion), l'appareil s'arrête et l'indicateur commence à clignoter (mode 'lockout').

7.3 Réinitialisation / Redémarrage manuel

Si l'appareil est en mode 'lock-out', trouver et éliminer la cause du blocage avant de remettre l'appareil en marche. Pour réinitialiser, mettre l'interrupteur on/off sur OFF et puis à nouveau sur ON. En cas d'anomalies de fonctionnement répétées, contacter le revendeur.

7.4 Eteindre

Mettre l'interrupteur on/off sur OFF et débrancher l'appareil.

8. Nettoyage et entretien

En général

Eteindre l'appareil, débrancher du réseau électrique et laisser refroidir complètement avant de procéder au nettoyage.

Ne jamais immerger l'appareil dans l'eau ou dans tout autre liquide. Protéger l'appareil des gouttes d'eau et des éclaboussures.

Nettoyer occasionnellement l'appareil avec un chiffon humide. Ne pas utiliser d'agents chimiques agressifs, de solvants ni de détergents puissants.

Toujours laisser toujours l'entrée d'air et le ventilateur libres de poussière et de saleté. Pour nettoyer les parties internes, souffler de l'air comprimé à travers l'entrée d'air.

Avant de ranger l'appareil, s'assurer qu'il est parfaitement sec et refroidi. Recouvrir l'appareil d'un sac en plastique. Ranger dans un endroit sec et bien ventilé.

Avant chaque utilisation, un technicien qualifié doit vérifier les pièces suivantes :

Buse

Dévisser la buse du porte-buse. Souffler de l'air comprimé à travers l'entrée d'air pour éliminer la saleté. Si nécessaire, remplacer la buse.

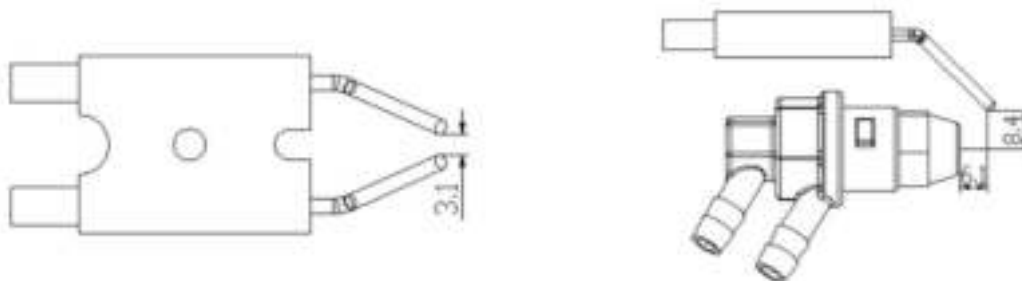
Filtres à air

Nettoyer les filtres à air. Démontez la grille [c], laver le filtre d'entrée d'air [b] avec un détergent neutre et l'essuyer soigneusement avant de le remonter. Remplacer le filtre de sortie d'air [a] une fois par an.



Electrodes d'allumage

Nettoyer, régler, et si nécessaire, remplacer l'électrode d'allumage.

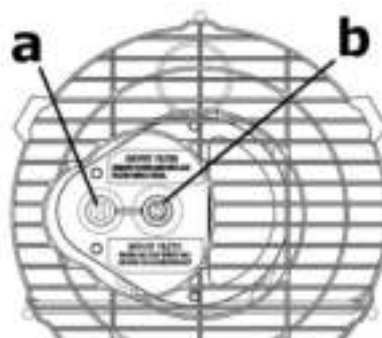


Régler la pression du compresseur



La pression du compresseur est réglée en usine et doit être contrôlée et réglée par un technicien qualifié. Toute altération de l'appareil peut être dangereuse.

Dévisser le bouchon du manomètre [a]. Connecter un manomètre au port de pression située sur la grille arrière. Mettre l'appareil en marche et lire la valeur de pression. Si nécessaire, régler la pression sur la valeur correcte en tournant la vis (l'orifice d'aération [b]) dans le sens des aiguilles d'une montre pour augmenter, dans le sens inverse pour diminuer la pression.



a bouchon du manomètre

b orifice d'aération

Circuit électrique

Inspecter les câbles, les composants et les connexions électriques.

9. Problèmes et solutions

Problème	Cause	Solution
Le moteur ne démarre pas. → E1 s'affiche	Tension trop basse ou nulle.	Contrôler le câble d'alimentation et la tension. Contrôler et remplacer si nécessaire.
	Câble d'alimentation est déconnecté ou endommagé.	Contrôler et remplacer si nécessaire.
	Moteur/condensateur défectueux.	Contrôler et remplacer si nécessaire.
	L'appareil est en mode 'lockout' due à une surchauffe précédente.	Trouver la cause de la surchauffe. Éteindre l'appareil. Vérifier les entrée et sortie d'air. Laisser refroidir l'appareil et redémarrer.
→ E2 s'affiche	Panne de la sonde thermique, sonde thermique désolidarisé.	Vérifier la sonde thermique et remplacer si nécessaire. Vérifier le circuit imprimé et remplacer si nécessaire.
Le moteur tourne mais la flamme ne s'allume pas. → E1 s'affiche	Absence de combustible, combustible incorrect ou sale.	Siphonner le réservoir du combustible. Remplir le réservoir avec le combustible approprié.
	Filtre à combustible encrassé.	Nettoyer ou remplacer le filtre.
	Fuites dans les tuyaux.	Vérifier les tuyaux et resserrer les connexions.
	Buse encrassée.	Nettoyer la buse avec de l'air comprimé ou remplacer si nécessaire.
Des flammes sortent de la sortie d'air. → E1 s'affiche	Augmentation de la viscosité du carburant à basse température.	Mélanger le diesel avec du kérosène au 10-20 %.
	Débit d'air insuffisant dans la chambre de combustion. Pression du compresseur trop haute.	Contrôler l'entrée d'air, le ventilateur et le moteur. Contrôler et ajuster la pression d'air.
L'appareil s'arrête pendant le fonctionnement. → La température ambiante s'affiche	La température ambiante a atteint la valeur souhaitée.	Ceci est normal. Augmenter la température sur l'appareil pour le redémarrer.
L'appareil s'arrête pendant le fonctionnement. → E1 s'affiche	Absence de flamme.	Trouver la cause du dérèglement. Éteindre et rallumer l'appareil pour réinitialiser. En cas d'anomalies de fonctionnement répétées, contacter le revendeur.
	Mauvaise combustion.	
	Débit d'air réduit.	
	Surchauffe.	

10. Spécifications techniques

alimentation..... 220-240 V~, 50 Hz, 230 W
 combustible diesel/kérosène
 indice IP IPX4

FT120C

puissance 20 kW
 température..... 68240 BTU/h
 capacité du réservoir..... 19 L
 surface à chauffer..... 220-300 m²
 consommation..... 1.94 L/h
 débit d'air 550 m³/h
 dimensions 750 x 315 x 415 mm
 poids..... 14 kg

Exigences d'information applicables aux dispositifs de chauffage décentralisés à combustibles gazeux/liquides

Référence(s) du modèle: FT120C								
Fonction de chauffage indirect: non								
Puissance thermique indirecte: 20 (kW)								
Puissance thermique directe: n.d. (kW)								
Combustible					Émissions dues au chauffage des locaux (*)			
					NO _x			
Sélectionner le type de combustible			liquide		kérosène		n.d. [mg/kWh _{input}] (GCV)	
Caractéristique	Symbole	Valeur	Unité		Caractéristique	Symbole	Valeur	Unité
Puissance thermique					Rendement utile (PCI)			
Puissance thermique nominale	P _{nom}	20.0	kW		Rendement utile à la puissance thermique nominale	η _{th, nom}	100	%
Puissance thermique minimale (indicative)	P _{min}	n.d.	kW		Rendement utile à la puissance thermique minimale (indicative)	η _{th, min}	n.d.	%
Consommation d'électricité auxiliaire					Type de contrôle de la puissance thermique/de la température de la pièce (sélectionner un seul type)			
À la puissance thermique nominale	e _{lmax}	0.002	kW		contrôle de la puissance thermique à un palier, pas de contrôle de la température de la pièce			non
À la puissance thermique minimale	e _{lmin}	n.d.	kW		contrôle à deux ou plusieurs paliers manuels, pas de contrôle de la température de la pièce			non
En mode veille	e _{lsb}	n.d.	kW		contrôle de la température de la pièce avec thermostat mécanique			non
					contrôle électronique de la température de la pièce			oui
					contrôle électronique de la température de la pièce			non
					contrôle électronique de la température de la pièce et programmateur journalier			non

				Autres options de contrôle (sélectionner une ou plusieurs options)			
				contrôle de la température de la pièce, avec détecteur de présence			non
				contrôle de la température de la pièce, avec détecteur de fenêtre ouverte			non
				option contrôle à distance			non
				contrôle adaptatif de l'activation			non
				limitation de la durée d'activation			non
				capteur à globe noir			non
Puissance électrique requise par la veilleuse permanente							
Puissance électrique requise par la veilleuse permanente (le cas échéant)	P_{pilot}	0	kW				
Coordonnées de contact	Velleman SA Legen Heirweg 33, 9890 Gavere, Belgique						
(*) NO_x = oxydes d'azote							

FT130C

puissance 30 kW
 température..... 10236 BTU/h
 capacité du réservoir..... 38 L
 surface à chauffer..... 320-420 m²
 consommation..... 2.80 L/h
 débit d'air 720 m³/h
 dimensions 880 x 456 x 590 mm
 poids..... 21 kg

Exigences d'information applicables aux dispositifs de chauffage décentralisés à combustibles gazeux/liquides

Référence(s) du modèle: FT120C							
Fonction de chauffage indirect: non							
Puissance thermique indirecte: 20 (kW)							
Puissance thermique directe: n.d. (kW)							
Combustible				Émissions dues au chauffage des locaux (*)			
Sélectionner le type de combustible				liquide	kérosène	n.d. [mg/kWh _{input}] (GCV)	
Caractéristique	Symbole	Valeur	Unité	Caractéristique	Symbole	Valeur	Unité
Puissance thermique				Rendement utile (PCI)			
Puissance thermique nominale	P_{nom}	20.0	kW	Rendement utile à la puissance thermique nominale	$\eta_{th,nom}$	100	%
Puissance thermique minimale (indicative)	P_{min}	n.d.	kW	Rendement utile à la puissance thermique minimale (indicative)	$\eta_{th,min}$	n.d.	%

Consommation d'électricité auxiliaire				Type de contrôle de la puissance thermique/de la température de la pièce (sélectionner un seul type)			
À la puissance thermique nominale	$e_{l_{max}}$	0.002	kW	contrôle de la puissance thermique à un palier, pas de contrôle de la température de la pièce			non
À la puissance thermique minimale	$e_{l_{min}}$	n.d.	kW	contrôle à deux ou plusieurs paliers manuels, pas de contrôle de la température de la pièce			non
En mode veille	$e_{l_{SB}}$	n.d.	kW	contrôle de la température de la pièce avec thermostat mécanique			non
				contrôle électronique de la température de la pièce			oui
				contrôle électronique de la température de la pièce			non
				contrôle électronique de la température de la pièce et programmateur journalier			non
				Autres options de contrôle (sélectionner une ou plusieurs options)			
				contrôle de la température de la pièce, avec détecteur de présence			non
				contrôle de la température de la pièce, avec détecteur de fenêtre ouverte			non
				option contrôle à distance			non
				contrôle adaptatif de l'activation			non
				limitation de la durée d'activation			non
				capteur à globe noir			non
Puissance électrique requise par la veilleuse permanente							
Puissance électrique requise par la veilleuse permanente (le cas échéant)	P_{pilot}	0	kW				
Coordonnées de contact	Velleman SA Legen Heirweg 33, 9890 Gavere, Belgique						
(*) NO _x = oxydes d'azote							

N'employer cet appareil qu'avec des accessoires d'origine. Velleman SA ne peut, dans la mesure conforme au droit applicable être tenue responsable des dommages ou lésions (directs ou indirects) pouvant résulter de l'utilisation de cet appareil. Pour plus d'informations concernant cet article et la dernière version de ce mode d'emploi, visiter notre site web www.velleman.eu. Les spécifications et le contenu de ce mode d'emploi peuvent être modifiés sans notification préalable.

© DROITS D'AUTEUR

Velleman SA est l'ayant droit des droits d'auteur de ce mode d'emploi. Tous droits mondiaux réservés. Toute reproduction, traduction, copie ou diffusion, intégrale ou partielle, du contenu de ce mode d'emploi par quelque procédé ou sur tout support électronique que ce soit est interdite sans l'accord préalable écrit de l'ayant droit.

MANUAL DEL USUARIO

1. Introducción



A los ciudadanos de la Unión Europea

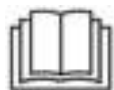
Importantes informaciones sobre el medio ambiente concerniente a este producto

Este símbolo en este aparato o el embalaje indica que, si tira las muestras inservibles, podrían dañar el medio ambiente. No tire este aparato (ni las pilas, si las hubiera) en la basura doméstica; debe ir a una empresa especializada en reciclaje. Devuelva este aparato a su distribuidor o a la unidad de reciclaje local. Respete las leyes locales en relación con el medio ambiente.

Si tiene dudas, contacte con las autoridades locales para residuos.

¡Gracias por elegir Perel! Lea atentamente las instrucciones del manual antes de usar el aparato. Si ha sufrido algún daño en el transporte no lo instale y póngase en contacto con su distribuidor.

2. Instrucciones de seguridad



Lea y comprenda este manual y todas las instrucciones de seguridad antes de usar el aparato.



Advertencia: Para evitar el sobrecalentamiento, nunca cubra el aparato.

Este aparato no es apto para niños menores de 8 años ni para personas con capacidades físicas, sensoriales o mentales reducidas ni para personas con una falta de experiencia y conocimientos del producto, salvo si están bajo la vigilancia de una persona que pueda garantizar la seguridad. Asegúrese de que los niños no jueguen con este dispositivo. Nunca deje que los niños limpien o manipulen el aparato sin supervisión.

Para evitar cualquier riesgo de descarga eléctrica, la reparación de un cable flexible externo o del cable del aparato mismo debe ser realizada por el fabricante, su técnico u otro técnico cualificado.

No utilice el aparato cerca de un baño, una ducha o una piscina. Nunca instale el aparato inmediatamente debajo de una toma eléctrica.

Algunas piezas se calientan mucho durante el uso y pueden causar quemaduras. Nunca toque el aparato cuando esté en funcionamiento o directamente después de haberlo desactivado. Evite que el cable de alimentación entre con las piezas calientes del aparato.

Nunca utilice el aparato con un temporizador ni ningún otro dispositivo que encienda el aparato automáticamente.

Evite el uso de un prolongador o una base múltiple. Existe el riesgo de sobrecarga, de sobrecalentamiento e incluso de incendio.

Instale el aparato en una posición vertical y a una distancia de mín. 0.5 m de mobiliario y otros objetos. Nunca use el aparato cerca de materiales inflamables o explosivos o gases.

Durante la primera puesta en marcha, puede haber rastros de humo y olor. Esto es normal y desaparecerá rápidamente.

Los generadores de aire caliente de combustión directa utilizan el aire (oxígeno) contenido en el ambiente donde se hacen funcionar. Asegúrese de que haya una adecuada cantidad de aire para la ventilación y para la combustión.

No almacene ni utilice gasolina u otras sustancias inflamables en las cercanías del dispositivo. Conserve las sustancias inflamables sólidas, como materiales de construcción, papel o cartón, a una distancia segura del dispositivo. No utilice el dispositivo en ambientes que contengan o puedan contener sustancias inflamables volátiles o dispersas en el aire, ni productos como gasolina, disolventes, diluyentes para pinturas, polvos o sustancias químicas desconocidas.

Los generadores de aire caliente de combustión directa pueden causar intoxicación por monóxido de carbono (CO) si se usan de manera inadecuada (p. ej. dentro de habitaciones sin una adecuada renovación del aire o si no funcionan correctamente). La intoxicación por monóxido de carbono (CO) puede provocar la muerte.

El dispositivo no está previsto para el uso doméstico ni en vehículos para actividades recreativas (autocaravana).

El sistema eléctrico al que se conecta el dispositivo debe cumplir con las leyes y a las normas vigentes en el país de destino. Asegúrese de que la alimentación esté equipada con un interruptor diferencial (ID).

Desenchufe el aparato antes de efectuar reparaciones.

Compruebe siempre el cable de alimentación antes de utilizar el aparato. No lo pliegue, ni lo crimpe y protéjalo contra daños. Si el cable flexible exterior está dañado, deberá ser reemplazado por el fabricante o su servicio técnico.

No toque la boca de salida durante el uso porque alcanza temperaturas muy elevadas.

La falta de respeto de las precauciones y de las instrucciones entregadas con el aparato puede causar la muerte, lesiones personales graves y daños derivados del riesgo de incendio, quemaduras, asfixia, intoxicación por monóxido de carbono o electrocución.

3. Normas generales

Véase la Garantía de servicio y calidad Velleman® al final de este manual del usuario.

Por razones de seguridad, las modificaciones no autorizadas del aparato están prohibidas. Los daños causados por modificaciones no autorizadas, no están cubiertos por la garantía.

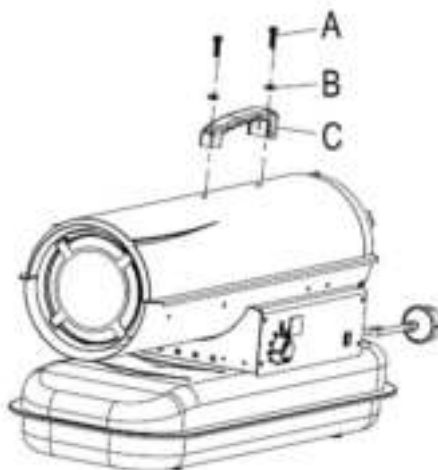
Utilice sólo el aparato para las aplicaciones descritas en este manual. Su uso incorrecto anula la garantía completamente.

Los daños causados por descuido de las instrucciones de seguridad de este manual invalidarán su garantía y su distribuidor no será responsable de ningún daño u otros problemas resultantes.

Ni Velleman nv ni sus distribuidores serán responsables de los daños extraordinarios, ocasionales o indirectos, sea cual sea la índole (financiera, física, etc.), causados por la posesión, el uso o el fallo de este producto.

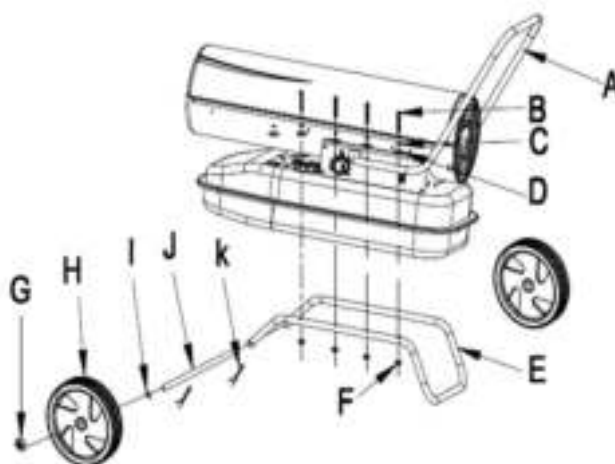
Guarde este manual del usuario para cuando necesite consultarlo.

4. Descripción



A	2 x tornillo
B	2x arandela

C	1 x asa
----------	---------



A	1 x asa
B	6x o 8x tornillo
C	6x o 8x arandela de muelle
D	6x o 8x arandela
E	1x pie
F	6x o 8x tuerca M5

G	2x tuerca M12
H	2x rueda
I	2x arandela (Ø 12)
J	1x barra
K	2x chaveta

5. Instalación

Instale el aparato en una superficie plana, estable y no deslizante.

Los generadores de aire caliente de combustión directa son aptos para el uso al aire libre o en interiores bien ventilados. Para el uso en interiores, asegúrese de que estén previstas aberturas para la ventilación continua, de un área mínima de 25 cm²/kW de potencia térmica, distribuidas de manera regular en el espacio superior e inferior de la habitación (mín. 250 cm²).

FT120C	FT130C
600 cm ²	800 cm ²

Instale el aparato en posición erguida.

No coloque el dispositivo cerca de paredes, esquinas o techos bajos. No coloque el aparato debajo de una toma eléctrica. No coloque el dispositivo dentro de vehículos en movimiento ni, en general, en lugares donde pueda volcar.

Mantenga el aparato lejos del alcance de materiales inflamables, combustibles, explosivos o corrosivos. No coloque el aparato cerca de baños, duchas o piscinas. Mantenga el aparato lejos del alcance de cortinas o materiales similares que puedan obstruir la boca de entrada o salida de aire. Nunca bloquee, por ninguna razón, la boca de entrada y de salida de aire.

Mantenga el cable de alimentación lejos del alcance de fuentes de calor, aristas, objetos cortantes o en movimiento.

No exponga el aparato directamente a la intemperie o a una humedad excesiva.

Coloque el aparato en un suelo ignífugo.

No conecte el generador de aire caliente de combustión directa a conductos para la canalización del aire.

Respete al pie de la letra todas las normas generales y locales vigentes para evitar incendios. Respete en cualquier momento las siguientes distancias mínimas de seguridad de cualquier objeto o material que esté en las proximidades del equipo:

laterales	0.6 m
entrada de aire	1 m
superior	1.5 m
salida de aire	3 m
suelo	0 m

6. Combustible

Generadores de aire caliente funcionan con parafina o gasoil. La parafina asegurará la combustión más limpia. Cuanto más polvo e impurezas contiene el combustible, tanto más ventilación se necesitará. Utilice el combustible más limpia posible.

La parafina sólo se puede guardar en depósitos azules. La gasolina se guarda en depósitos rojos.

Nunca utilice otro combustible (p.ej. gasolina, alcohol, mezclas de aceite, etc.) ¡Peligro de fuego o de explosión!

Nunca exponga la parafina a la luz solar directa o una fuente de calor.

No almacene la parafina en zonas residencial/áreas de trabajo sino en lugares bien ventilados (p.ej. cobertizo, almacén, etc.).

Nunca utilice parafina de la temporada anterior. La calidad se deteriora y no se quemará correctamente.

Si fuera posible, utilice la parafina 1-K. También puede utilizar parafina de excelente calidad.

7. Funcionamiento

7.1 Puesta en marcha

1. Introduzca el combustible adecuado en el depósito. El indicador de combustible de la parte superior del depósito permite controlar el nivel.
2. Enchufe el aparato a una toma eléctrica con conexión de tierra.
3. El LED se iluminará y la pantalla visualizará la temperatura ambiente.
4. Ponga el interruptor ON/OFF en la posición ON. El aparato se activará en cuanto la temperatura ambiente es inferior a la temperatura seleccionada en el termostato. El aparato se desactivará en cuanto la habitación alcance la temperatura deseada.

7.2 Arranque en frío

Con temperaturas muy bajas, mantenga cerrado el orificio de ventilación de aire con un dedo durante la puesta en marcha. En caso de un malfuncionamiento (ausencia de llama, caudal de aire reducido, mala combustión), el equipo se desactivará y el LED empezará a parpadear (modo de bloqueo).

7.3 Reinicio manual

Si el aparato está en el modo de bloqueo, identifique y elimine el problema antes de volver a activarlo. Para reiniciar, ponga el interruptor ON/OFF en la posición OFF y luego en la posición ON.

En caso de un malfuncionamiento repetido, contacte con su distribuidor.

7.4 Desactivar el aparato

Ponga el interruptor ON/OFF en la posición OFF y desenchufe el aparato.

8. Limpieza y mantenimiento

General

Antes de la limpieza, desactive el aparato, desenchúfelo y deje que se enfríe completamente.

Nunca sumerja el aparato en un líquido. No exponga el aparato a salpicaduras ni otros líquidos.

Limpie el aparato de vez en cuando con un paño húmedo. No utilice químicos abrasivos, detergentes fuertes ni disolventes de limpieza para limpiar el aparato.

Mantenga siempre la entrada de aire y el ventilador libres de polvo y suciedad. Para limpiar las piezas internas, sople cuidadosamente aire comprimido por la entrada de aire.

Antes de almacenar el aparato, asegúrese de que esté completamente enfriado y seco. Cubra el aparato con una bolsa de plástico y almacénelo en un lugar seco y bien ventilado.

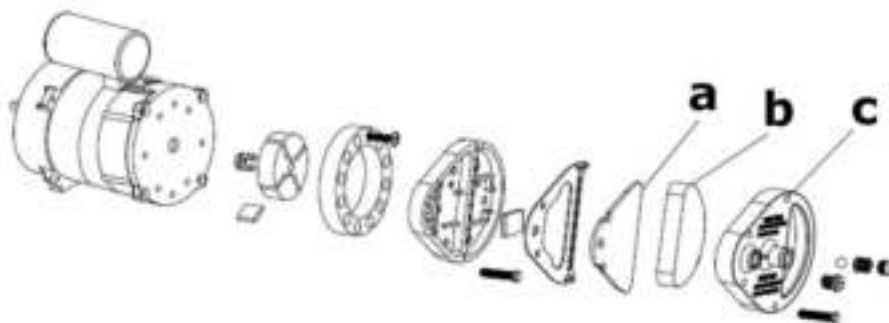
Deje que un técnico cualificado compruebe las siguientes piezas antes del uso:

Boquilla

Desatornille la boquilla de su soporte. Limpie la boquilla soplando aire comprimido por el orificio. Reemplace la boquilla si fuera necesario.

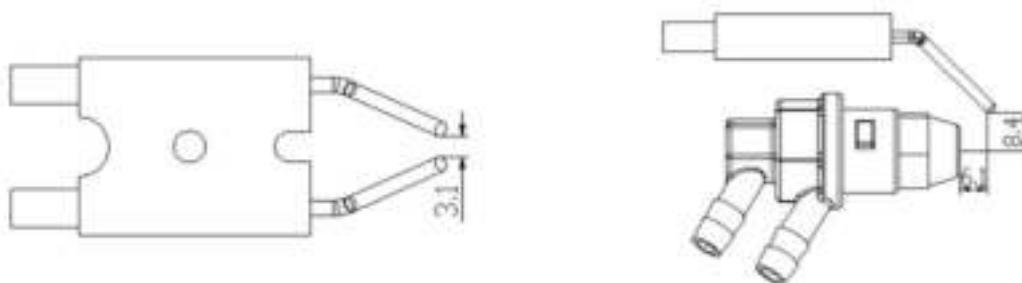
Filtros de aire

Limpie los filtros de aire Retire la tapa trasera [c], limpie el filtro de aspiración [b] con un detergente suave y séquelo bien antes de volver a montarlo. Reemplace el filtro de salida de aire [a] una vez por año.



Electrodos de encendido

Limpie, ajuste y, si fuera necesario, reemplace los electrodos de encendido una vez por año.

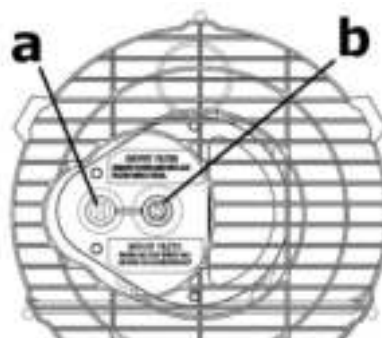


Ajuste de la presión del compresor



La presión de aire viene ajustada de fábrica y debe ser comprobada y ajustada sólo por personal cualificado. Las modificaciones no autorizadas podrían causar situaciones peligrosas.

Quite el tapón [a]. Conecte un manómetro a la conexión de presión de la rejilla trasera. Active el aparato y lea el valor de presión. Si fuera necesario, ajuste la presión girando el tornillo de ajuste (orificio de ventilación [b]) en el sentido de las agujas del reloj para aumentar, o en sentido contrario a las agujas del reloj para disminuir la presión.



a tapón

b orificio de ventilación

Informaciones eléctricas

Compruebe los cables, las piezas eléctricas y las conexiones.

9. Solución de problemas

Problema	causa	Solución
El motor no arranca. → E1 se visualiza	No hay tensión o tensión incorrecta.	Compruebe la red eléctrica y la tensión. Compruebe el fusible y reemplácelo si fuera necesario.
	Cable de alimentación defectuoso o dañado.	Compruebe el motor/condensador y reemplácelo si fuera necesario.
	Motor/condensador defectuoso.	Compruebe el motor/condensador y reemplácelo si fuera necesario.
	El aparato está en el modo 'lock-out' por sobrecalentamiento.	Busque la causa del sobrecalentamiento. Apague el aparato. Compruebe la entrada y la salida de aire. Espere unos minutos y vuelva a encender el aparato.
→ E2 se visualiza	Sonda térmica defectuosa	Compruebe la sonda térmica y reemplácela si fuera necesario.
		Compruebe el circuito impreso y reemplácelo si fuera necesario.
El motor gira pero la llama no se ilumina. → E1 se visualiza	Depósito vacío, combustible sucio o incorrecto.	Quite el combustible sucio o incorrecto. Introduzca gasoil o queroseno en el depósito.
	Filtro de combustible atascado.	Limpie o reemplace el filtro.
	Problemas de estanqueidad en la línea de alimentación de combustible	Compruebe los tubos, apriete los racores y reemplácelos si fuera necesario.
	Boquilla atascada.	Limpie la boquilla con aire comprimido o reemplácela si fuera necesario.
	Aumento de la viscosidad del gasoil a baja temperatura.	Mezcle el gasoil con un 10-20 % de queroseno.
Las llamas salen de la salida de aire. → E1 se visualiza	Insuficiente caudal de aire en la cámara de combustión.	Compruebe la entrada de aire, el ventilador y el motor.
	Presión del compresor demasiado alto.	Compruebe la presión de aire y ajústela si fuera necesario.
El aparato se apaga durante el funcionamiento. → La temperatura ambiente se visualiza	La temperatura ambiente ha alcanzado la temperatura deseada.	Esto es normal. Para volver a encenderlo, seleccione una temperatura más alta.
El aparato se apaga durante el funcionamiento. → E1 se visualiza	No hay ninguna llama.	Busque la(s) causa(s) del mal funcionamiento y soluciónela(s). Para reiniciar el aparato, apáguelo (0) y vuelva a encenderlo (I). Si el problema persiste, llame al servicio técnico.
	Mala combustión.	
	Caudal de aire reducido.	
	Sobrecalentamiento.	

10. Especificaciones

alimentación 220-240 V~, 50 Hz, 230 W
 combustible gasoil/queroseno
 grado de protección IP IPX4

FT120C

alimentación 20 kW
 temperatura.....68240 BTU/h
 capacidad del depósito 19 L
 apto para calentar una superficie de máx..... 220-300 m²
 consumo..... 1.94 L/h
 corriente de aire550 m³/h
 dimensiones..... 750 x 315 x 415 mm
 peso..... 14 kg

Requisitos de información que deben cumplir los aparatos de calefacción local que utilizan combustibles gaseosos o líquidos

Identificador(es) del modelo: FT120C							
Funcionalidad de calefacción indirecta: no							
Potencia calorífica directa: 20 (kW)							
Potencia calorífica indirecta: N.A. (kW)							
Combustible				Emisiones de calefacción (*)			
				NO _x			
Seleccione el tipo de combustible		líquido		queroseno		79 [mg/kWh _{input}] (GCV)	
Valor	Símbolo	Valor	Unidad	Valor	Símbolo	Valor	Unidad
Potencia calorífica				Eficiencia útil (NCV)			
Potencia calorífica nominal	P _{nom}	20.0	kW	Eficiencia útil a potencia calorífica nominal	η _{th,nom}	100	%
Potencia calorífica mínima (indicativa)	P _{min}	N.A.	kW	Eficiencia útil a potencia calorífica nominal (indicativa)	η _{th,min}	N.A.	%
Consumo auxiliar de electricidad				Tipo de control de potencia calorífica/de temperatura interior (seleccione uno)			
A potencia calorífica nominal	e _{lmax}	0.002	kW	potencia calorífica de un solo nivel, sin control de temperatura interior			no
A potencia calorífica mínima	e _{lmin}	N.A.	kW	dos o más niveles manuales, sin control de temperatura interior			no
En modo de espera	e _{lSB}	N.A.	kW	con control de temperatura interior mediante termostato mecánico			no
				con control electrónico de temperatura interior			sí
				control electrónico de temperatura interior y temporizador diario			no
				control electrónico de temperatura interior y temporizador semanal			no

				Otras opciones de control (pueden seleccionarse varias)			
				control de temperatura interior con detección de presencia	no		
				control de temperatura interior con detección de ventanas abiertas	no		
				con opción de control a distancia	no		
				con control de puesta en marcha adaptable	no		
				con limitación de tiempo de funcionamiento	no		
				con sensor de lámpara negra	no		
Necesidad de energía del piloto permanente							
Necesidad de energía del piloto permanente (si necesario)	P_{pilot}	0	kW				
Información de contacto	Velleman nv Legen Heirweg 33, 9890 Gavere, Bélgica						
(*) NO_x = óxidos nitrógeno							

FT130C

alimentación	30 kW
temperatura.....	10236 BTU/h
capacidad del depósito	38 L
apto para calentar una superficie de máx.....	320-420 m ²
consumo.....	2.80 L/h
corriente de aire	720 m ³ /h
dimensiones.....	880 x 456 x 590 mm
peso.....	21 kg

Requisitos de información que deben cumplir los aparatos de calefacción local que utilizan combustibles gaseosos o líquidos

Identificador(es) del modelo: FT130C							
Funcionalidad de calefacción indirecta: no							
Potencia calorífica directa: 30 (kW)							
Potencia calorífica indirecta: N.A. (kW)							
Combustible				Emisiones de calefacción (*)			
Seleccione el tipo de combustible				líquido	queroseno	69 [mg/kWh _{input}] (GCV)	
Valor	Símbolo	Valor	Unidad	Valor	Símbolo	Valor	Unidad
Potencia calorífica				Eficiencia útil (NCV)			
Potencia calorífica nominal	P_{nom}	30.0	kW	Eficiencia útil a potencia calorífica nominal	$\eta_{th,nom}$	100	%
Potencia calorífica mínima (indicativa)	P_{min}	N.A.	kW	Eficiencia útil a potencia calorífica nominal (indicativa)	$\eta_{th,min}$	N.A.	%

Consumo auxiliar de electricidad				Tipo de control de potencia calorífica/de temperatura interior (seleccione uno)			
A potencia calorífica nominal	$e_{l_{max}}$	0.002	kW	potencia calorífica de un solo nivel, sin control de temperatura interior			no
A potencia calorífica mínima	$e_{l_{min}}$	N.A.	kW	dos o más niveles manuales, sin control de temperatura interior			no
En modo de espera	$e_{l_{SB}}$	N.A.	kW	con control de temperatura interior mediante termostato mecánico			no
				con control electrónico de temperatura interior			sí
				control electrónico de temperatura interior y temporizador diario			no
				control electrónico de temperatura interior y temporizador semanal			no
				Otras opciones de control (pueden seleccionarse varias)			
				control de temperatura interior con detección de presencia			no
				control de temperatura interior con detección de ventanas abiertas			no
				con opción de control a distancia			no
				con control de puesta en marcha adaptable			no
				con limitación de tiempo de funcionamiento			no
				con sensor de lámpara negra			no
Necesidad de energía del piloto permanente							
Necesidad de energía del piloto permanente (si necesario)	P_{pilot}	0	kW				
Información de contacto	Velleman nv Legen Heirweg 33, 9890 Gavere, Bélgica						
(*) NO _x = óxidos nitrógeno							

Utilice este aparato sólo con los accesorios originales. Velleman NV no será responsable de daños ni lesiones causados por un uso (indebido) de este aparato. Para más información sobre este producto y la versión más reciente de este manual del usuario, visite nuestra página www.velleman.eu. Se pueden modificar las especificaciones y el contenido de este manual sin previo aviso.

© DERECHOS DE AUTOR

Velleman NV dispone de los derechos de autor para este manual del usuario. Todos los derechos mundiales reservados. Está estrictamente prohibido reproducir, traducir, copiar, editar y guardar este manual del usuario o partes de ello sin el consentimiento previo por escrito del propietario del copyright.

BEDIENUNGSANLEITUNG

1. Einführung

An alle Einwohner der Europäischen Union

Wichtige Umweltinformationen über dieses Produkt

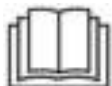


Dieses Symbol auf dem Produkt oder der Verpackung zeigt an, dass die Entsorgung dieses Produktes nach seinem Lebenszyklus der Umwelt Schaden zufügen kann. Entsorgen Sie die Einheit (oder verwendeten Batterien) nicht als unsortierter Hausmüll; die Einheit oder verwendeten Batterien müssen von einer spezialisierten Firma zwecks Recycling entsorgt werden. Diese Einheit muss an den Händler oder ein örtliches Recycling-Unternehmen retourniert werden. Respektieren Sie die örtlichen Umweltvorschriften.

Falls Zweifel bestehen, wenden Sie sich für Entsorgungsrichtlinien an Ihre örtliche Behörde.

Vielen Dank, dass Sie sich für Perel entschieden haben! Lesen Sie diese Bedienungsanleitung vor Inbetriebnahme sorgfältig durch. Überprüfen Sie, ob Transportschäden vorliegen. Sollte dies der Fall sein, verwenden Sie das Gerät nicht und wenden Sie sich an Ihren Händler.

2. Sicherheitshinweise



Lesen und begreifen Sie diese Bedienungsanleitung und die Sicherheitshinweise vor Inbetriebnahme.



Warnung: Decken Sie niemals das Gerät ab, um Überhitzung zu vermeiden

Dieses Gerät kann von Kindern ab 8 Jahren und darüber sowie von Personen mit verringerten physischen, sensorischen oder mentalen Fähigkeiten oder Mangel an Erfahrung und Wissen benutzt werden, wenn sie beaufsichtigt oder bezüglich des sicheren Gebrauchs des Gerätes unterwiesen wurden und die daraus resultierenden Gefahren verstehen. Kinder sollten nicht mit dem Gerät spielen. Beachten Sie, dass Kinder das Gerät nicht reinigen oder bedienen.

Um elektrische Schläge zu vermeiden soll der Fabrikant, seine Fachkraft oder eine andere Fachkraft das externe, flexible Kabel oder das Netzkabel des Gerätes selber bei Beschädigungen ersetzen.

Verwenden Sie das Gerät niemals in der unmittelbaren Nähe einer Badewanne, einer Dusche oder eines Schwimmbeckens. Stellen Sie das Gerät niemals direkt unter eine Steckdose.

Einige Teile dieses Gerätes können sehr heiß werden und Verbrennungen verursachen. Berühren Sie niemals das Gerät während des Betriebs. Führen Sie das Netzkabel bei Betrieb nicht über heiße Geräteteile.

Verwenden Sie keine Zeitschaltuhr, kein separates Fernwirksystem oder sonstige Einrichtungen, die das Gerät automatisch einschalten.

Verwenden Sie weder ein Verlängerungskabel noch eine Mehrfachsteckdose. Es besteht Gefahr vor Überhitzung oder Überlast und sogar Brandgefahr.

Installieren Sie das Gerät in vertikaler Position und in einem Abstand von min. 0.5 m zu Möbeln und anderen Gegenständen. Der Betrieb in Umgebungen mit brennbaren Gasen, Dämpfen oder Lösungsmitteln ist nicht gestattet.

Bei der ersten Inbetriebnahme ist für einige Zeit eine Geruchsbelästigung und ein bisschen Rauch durch erhitzte Gehäuseteile des Geräts möglich. Dies ist normal und wird schnell wieder verschwinden.

Die Warmluftgeneratoren mit Direktverbrennung verwenden die Luft (Sauerstoff), die in der Umgebung enthalten ist, in der sie eingesetzt werden. Für eine angemessene Luftmenge für die Belüftung und die Verbrennung sorgen.

Lagern oder verwenden Sie Benzin oder andere brennbare Substanzen nicht in der Nähe dieses Gerätes. Halten Sie die festen entzündlichen Substanzen wie Baumaterial, Papier oder Karton in einem Sicherheitsabstand zum Gerät. Verwenden Sie das Gerät nicht in Umgebungen, die flüchtige oder in der Luft verteilte brennbare Substanzen enthalten oder enthalten können oder Produkte wie Benzin, Lösungsmittel, Verdünnungsmittel für Lacke, Pulver oder nicht bekannte Chemikalien.

Die Warmluftgeneratoren mit Direktverbrennung können zu Vergiftungen durch Kohlenmonoxid (CO) führen, wenn sie unsachgemäß verwendet werden (z.B. im Innenbereich ohne angemessenen Luftaustausch oder wenn sie nicht korrekt funktionieren). Die Vergiftung durch Kohlenmonoxid (CO) kann zum Tod führen.

Das Gerät eignet sich nicht für den Gebrauch im Haushalt oder Freizeitaktivitäten (Wohnmobile).

Die Elektrikanlage, mit der das Gerät verbunden ist, muss den geltenden Gesetzen und Bestimmungen im Bestimmungsland entsprechen. Stellen Sie sicher, dass die Stromversorgung mit einem Fehlerstrom-Schutzschalter ausgestattet ist.

Ziehen Sie vor jeglichen Wartungsarbeiten den Netzstecker aus der Steckdose.

Überprüfen Sie vor Gebrauch immer das Netzkabel. Quetschen Sie das Netzkabel nicht und schützen Sie es vor Beschädigungen. Zur Vermeidung von Gefährdungen darf das äußere biegsame Kabel ausschließlich vom Hersteller oder seinem Service-Vertreter ersetzt werden.

Die Auslassöffnung wird während des Betriebs sehr warm. Berühren Sie diese nicht!

Das nicht genau Befolgen der in dieser Anleitung enthaltenen Informationen, kann zum Tod, schweren Personenschäden und Schäden durch Gefahren von Brand, Verbrennungen, Ersticken, Kohlenmonoxidvergiftungen und/oder Elektroschock führen.

3. Allgemeine Richtlinien

Siehe Velleman® Service- und Qualitätsgarantie am Ende dieser Bedienungsanleitung.

Eigenmächtige Veränderungen sind aus Sicherheitsgründen verboten. Bei Schäden verursacht durch eigenmächtige Änderungen erlischt der Garantieanspruch.

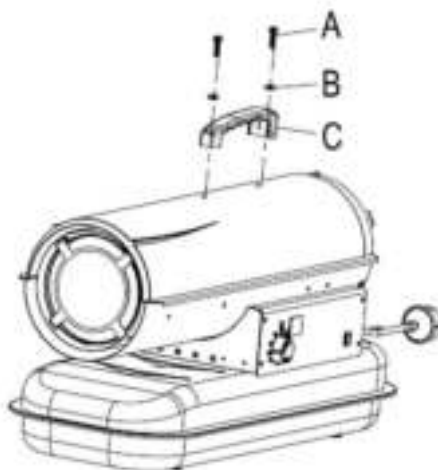
Verwenden Sie das Gerät nur für Anwendungen beschrieben in dieser Bedienungsanleitung. Bei falscher Anwendung dieses Gerätes erlischt der Garantieanspruch.

Bei Schäden, die durch Nichtbeachtung der Bedienungsanleitung verursacht werden, erlischt der Garantieanspruch. Für daraus resultierende Folgeschäden übernimmt der Hersteller keine Haftung.

Weder Velleman nv noch die Händler können für außergewöhnliche, zufällige oder indirekte Schäden irgendwelcher Art (finanziell, physisch, usw.), die durch Besitz, Gebrauch oder Defekt verursacht werden, haftbar gemacht werden.

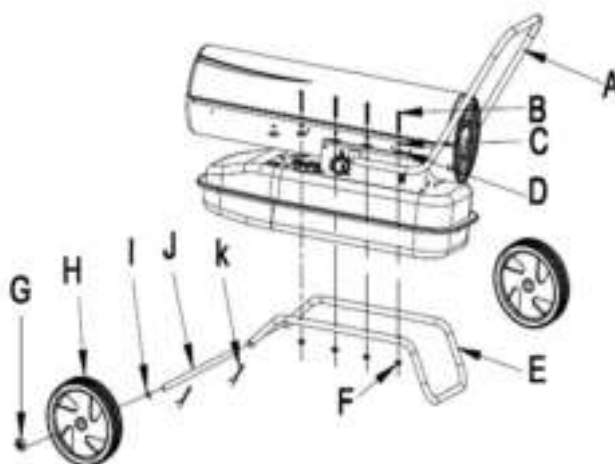
Bewahren Sie diese Bedienungsanleitung für künftige Einsichtnahme auf.

4. Beschreibung



A	2x Schraube
B	2x Unterlegscheibe

C	1 x Handgriff
----------	---------------



A	1 x Handgriff
B	6x oder 8x Schraube
C	6x oder 8x Federscheibe
D	6x oder 8x Unterlegscheibe
E	1x Fuß
F	6x oder 8x Mutter (M5)

G	2x Mutter (M12)
H	2x Rad
I	2x Unterlegscheibe (Ø 12)
J	1x Achse
K	2x Splint

5. Installation

Stellen Sie das Gerät auf eine ebene, trockene, stabile und rutschfeste Oberfläche.

Die Warmluftgeneratoren mit Direktverbrennung eignen sich für den Einsatz im Freien oder in gut belüfteten Räumen. Stellen Sie sicher, dass es für den Einsatz im Innenbereich Öffnungen für die kontinuierliche Belüftung mit einer Mindestfläche von 25 cm²/kW Wärmeleistung, gleichmäßig von oben nach unten verteilt (min. 250 cm²), gibt.

FT120C	FT130C
600 cm ²	800 cm ²

Positionieren Sie das Gerät in aufrechter und horizontaler Position.

Stellen Sie das Gerät nicht in der Nähe von Mauern, in Ecken oder unter niedrigen Decken auf. Stellen Sie das Gerät nicht unter einer Steckdose auf. Stellen Sie das Gerät nicht auf fahrende Fahrzeuge oder an Stellen, wo es umkippen kann.

Halten Sie das Gerät von entzündlichen, brennbaren, explosiven oder korrodierenden Materialien fern. Stellen Sie das Gerät nicht in unmittelbarer Nähe von Badewannen, Duschen oder Schwimmbecken auf. Halten Sie das Gerät von Vorhängen oder ähnlichen Materialien fern, die den Luftein- oder Auslass blockieren könnten. Blockieren Sie nie, gleich aus welchen Gründen, die Luftein- und Ausgangsbereiche.

Halten Sie das Versorgungskabel von Wärmequellen, scharfen Kanten, schneidenden oder beweglichen Teilen fern.

Setzen Sie das Gerät keinen direkten Witterungseinflüssen oder übermäßiger Feuchtigkeit aus.

Stellen Sie das Gerät auf einer feuerfesten Fläche auf.

Schließen Sie Warmluftgeneratoren mit Direktverbrennung nicht an Leitungen für Luftschächte an.

Halten Sie streng alle allgemeinen und lokalen geltenden Brandschutzbestimmungen ein. In jedem Fall, müssen die folgenden Mindestsicherheitsabstände von jeglichen Gegenständen oder Materialien zum Gerät gewährleistet werden.

seitlich	0.6 m
Lufteinlass	1 m
Oben	1.5 m
Luftauslass	3 m
Boden	0 m

6. Brennstoff

Das Gerät funktioniert mit Heizöl oder Diesel. Heizöl verbrennt am saubersten. Beachten Sie, dass je mehr Stoffe und Verschmutzung sich im Brennstoff befinden, desto mehr Belüftung erforderlich ist! Verwenden Sie also den möglichst sauberen Brennstoff.

Heizöl darf nur in blauen Behältern gelagert werden. Rote Behälter sind Benzin vorbehalten.

Benutzen Sie niemals einen anderen Brennstoff (z.B. Benzin, Alkohol, Ölverbindungen usw.). Brand- oder Explosionsgefahr!

Lagern Sie Heizöl niemals in direktem Sonnenlicht oder in der Nähe einer Wärmequelle.

Lagern Sie Heizöl nicht in Wohn-/Arbeitsräumen, sondern in einem gut belüfteten Raum (z.B. Schuppen, Lager, usw.).

Benutzen Sie niemals Heizöl der letzten Saison. Die Qualität von Heizöl lässt mit der Zeit nach und wird nicht gut brennen.

Benutzen Sie vorzugsweise 1-K-Heizöl. Ein anderes Heizöl von Premiumqualität dürfen Sie auch verwenden.

7. Anwendung

7.1 Inbetriebnahme

1. Füllen Sie den Tank mit dem geeigneten Brennstof. Die Kraftstoffanzeige im oberen Teil des Tanks gestattet die Kontrolle des Füllstands.
2. Schließen Sie das Gerät nur an eine geerdete Steckdose an.
3. Die Anzeige-LED leuchtet und die Umgebungstemperatur wird auf dem Display angezeigt.
4. Stellen Sie den EIN/AUS-Schalter auf ON. Das Gerät schaltet sich ein wenn die Umgebungstemperatur niedriger ist als die eingestellte Temperatur am Thermostatreglers. Das Gerät stoppt wenn die gewünschte Umgebungstemperatur erreicht wird.

7.2 Kaltstart

Bei sehr niedrigen Temperaturen müssen Sie die Luftauslassöffnung während der Start mit einem Finger verschließen. Im Fall von Betriebsstörungen (Fehlen der Flamme, reduzierter Luftdurchsatz, schlechte Verbrennung) stoppt das Gerät und die LED beginnt zu blinken (Blockier-Modus).

7.3 Manuell rücksetzen/neu starten

Befindet sich das Gerät im Blockier-Modus, dann müssen Sie das Problem vor dem Neustart feststellen und beheben. Um das Gerät zurückzustellen, stellen Sie den EIN/AUS-Schalter auf OFF und danach wieder auf ON.

Im Fall von wiederholten Funktionsstörungen, wenden Sie sich an Ihren Händler.

7.4 Das Gerät abschalten

Stellen Sie den EIN/AUS-Schalter auf OFF und ziehen Sie den Stecker aus der Steckdose.

8. Reinigung und Wartung

Allgemeines

Schalten Sie das Gerät vor Reinigung aus, ziehen Sie den Netzstecker und lassen Sie es völlig abkühlen.

Tauchen Sie das Gerät niemals in Wasser oder eine andere Flüssigkeit. Setzen Sie das Gerät keinem Spritzwasser oder anderen Flüssigkeiten aus.

Reinigen Sie das Gerät ab und zu mit einem feuchten Tuch. Verwenden Sie keine aggressiven Chemikalien, Lösungsmittel oder starke Reinigungsmittel.

Halten Sie den Lufteinlass und den Ventilator frei von Staub oder Schmutz. Um die inneren Teile zu reinigen, müssen Sie Druckluft über die Luftansaugung einblasen.

Stellen Sie sicher, dass das Gerät völlig abgekühlt und trocken ist, bevor Sie es lagern. Decken Sie das Gerät mit einem Kunststofftasche ab und lagern Sie es an einem trockenen, gut belüftetem Ort.

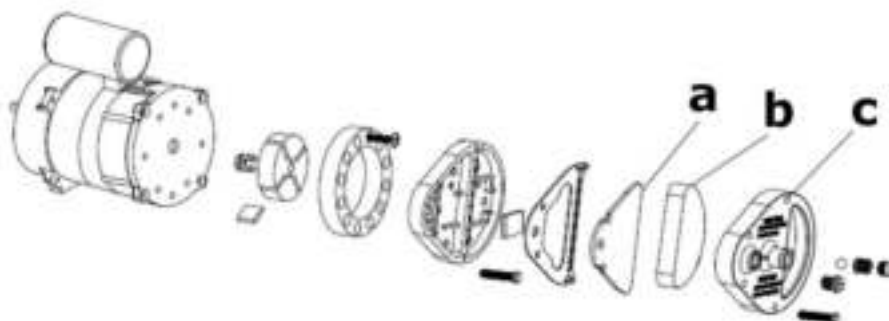
Lassen Sie die folgenden Teile jedes Jahr vor Gebrauch von Fachpersonal kontrollieren:

Düse

Lösen Sie die Düse sorgfältig aus der Halterung. Reinigen Sie Düse mit Druckluft, um diese frei von Staub und Schmutz zu machen. Ersetzen Sie gegebenenfalls die Düse.

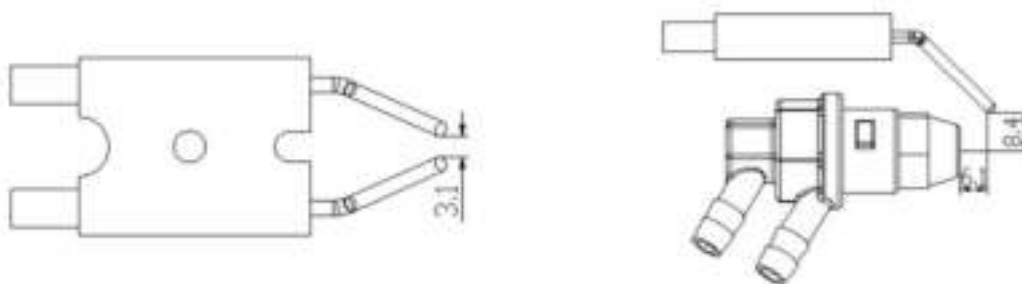
Luftfilter

Reinigen Sie die Luftfilter. Entfernen Sie den Filterdeckel [c], reinigen Sie den Lufteinlassfilter [b] mit einem milden Reinigungsmittel und trocknen Sie gut ab, bevor Sie ihn erneut montieren. Ersetzen Sie den Luftauslassfilter [a] einmal im Jahr.



Einschaltelektroden

Reinigen Sie die Einschaltelektroden, stellen Sie diese ein und ersetzen Sie diese bei Bedarf.

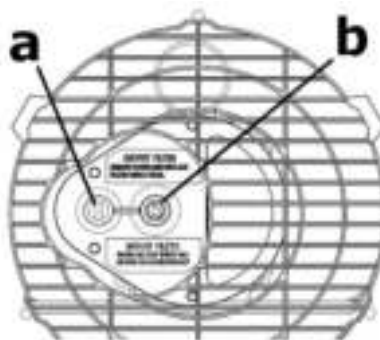


Druckeinstellung am Kompressor



Der Luftdruck am Kompressor ist werkseitig eingestellt und darf nur von Fachpersonal kontrolliert und eingestellt werden. Unsachgemäße Änderungen können zu Gefahrensituationen führen.

Lösen Sie den Verschluss [a]. Schließen Sie ein Manometer an den Druckanschluss auf dem hinteren Gitter an. Starten Sie das Gerät und lesen Sie Druckwert ab. Stellen Sie ggf. den Druck auf den korrekten Wert ein, indem Sie die Einstellschraube (Entlüftungsöffnung [b]) im Uhrzeigersinn drehen zum Erhöhen und gegen den Uhrzeigersinn zum Verringern.



a Verschluss

b Entlüftungsöffnung

Elektrische Teile

Kontrollieren Sie alle Verkabelungen, die elektrischen Bauteile und Anschlüsse.

9. Problemlösung

Problem	Ursache	Beseitigung
Der Motor startet nicht. → E1 erscheint auf dem Display.	Keine Spannung oder niedrige Spannung.	Kontrollieren Sie die Spannung und das Stromnetz. Kontrollieren Sie die Sicherung und ersetzen Sie diese, wenn erforderlich.
	Kabel defekt oder beschädigt	Kontrollieren Sie und ersetzen Sie wenn erforderlich.
	Motor/Kondensator defekt	Kontrollieren Sie und ersetzen Sie wenn erforderlich.
	Durch Überhitzung befindet sich das Gerät im Lock-Out-Modus	Suchen Sie die Ursache der Überhitzung. Schalten Sie das Gerät aus. Kontrollieren Sie den Lufteinlass und den Luftauslass. Warten Sie einige Minuten und starten Sie das Gerät dann neu.
→ E2 erscheint auf dem Display.	Die Temperatursonde ist defekt.	Kontrollieren Sie die Temperatursonde und ersetzen Sie diese, wenn erforderlich.
		Kontrollieren Sie die Leiterplatte und ersetzen Sie diese, wenn erforderlich.
Der Motor läuft aber das Gerät schaltet nicht ein. → E1 erscheint auf dem Display.	Leerer Kraftstofftank oder Kraftstoff nicht korrekt oder verschmutzt.	Entfernen Sie den falschen oder verschmutzten Kraftstoff. Füllen Sie den Tank mit Diesel oder Kerosin.
	Filter verstopft.	Reinigen oder ersetzen Sie den Filter.
	Dichtigkeitsproblem	Kontrollieren Sie die Leitungen, ziehen Sie die Anschlüsse an und ersetzen Sie diese, wenn erforderlich.
	Düse verstopft.	Reinigen Sie die Düse mit Pressluft und ersetzen Sie diese, wenn erforderlich.
	Erhöhung der Viskosität des Kraftstoffs bei niedriger Temperatur.	Mischen Sie Diesel mit 10-20 % Kerosin.
Es kommen Flammen aus dem Luftauslass. → E1 erscheint auf dem Display.	Unzureichende Luftzufuhr in der Brennkammer.	Kontrollieren Sie den Lufteinlass, den Ventilator und den Motor.
	Druck am Kompressor zu hoch.	Kontrollieren Sie den Luftdruck und stellen Sie ggf. ein.
Das Gerät stoppt während des Betriebs. → Die Umgebungstemperatur wird angezeigt.	Die Umgebungstemperatur hat den eingestellten Temperatur erreicht.	Das ist normal. Um das Gerät wieder zu starten, stellen Sie eine höhere Temperatur mit dem Temperaturregler ein.
Das Gerät stoppt während des Betriebs. → E1 erscheint auf dem Display.	Flamme fehlt.	Kontrollieren Sie und lösen Sie das Problem. Um das Gerät wieder zu starten, schalten Sie es (0) aus und danach wieder ein (I). Rufen Sie ggf. den technischen Dienst an.
	Schlechte Verbrennung.	
	Verringerte Luftzufuhr.	
	Überhitzung.	

10. Technische Daten

Stromversorgung..... 220-240 V~, 50 Hz, 230 W
 Brennstoff..... Diesel/Kerosin
 IP-Schutzart..... IPX4

FT120C

Leistung 20 kW
 Temperatur..... 68240 BTU/h
 Tankinhalt 19 L
 geeignet zum Aufheizen von Oberflächen bis max..... 220-300 m²
 Brennstoffverbrauch..... 1.94 L/h
 Luftdurchsatz 550 m³/h
 Abmessungen 750 x 315 x 415 mm
 Gewicht..... 14 kg

Erforderliche Angaben zu Einzelraumheizgeräten für gasförmige/flüssige Brennstoffe

Modellkennung(en): FT120C								
Indirekte Heizfunktion: nein								
Direkte Heizfunktion: 20 (kW)								
Indirekte Wärmeleistung: N.A. (kW)								
Brennstoff					Raumheizungs-Emissionen (*)			
					NO _x			
Bitte Brennstoffart auswählen			flüssig		Kerosin		79 [mg/kWh _{input}] (GCV)	
Angabe	Symbol	Wert	Einheit		Angabe	Symbol	Wert	Einheit
Wärmeleistung				Thermischer Wirkungsgrad (NCV)				
Nennwärmeleistung	P _{nom}	20.0	kW	thermischer Wirkungsgrad bei Nennwärmeleistung	η _{th, nom}	100	%	
Mindestwärmeleistung (Richtwert)	P _{min}	N.A.	kW	thermischer Wirkungsgrad bei Mindestwärmeleistung (Richtwert)	η _{th, min}	N.A.	%	
Hilfsstromverbrauch				Art der Wärmeleistung/Raumtemperaturkontrolle (bitte eine Möglichkeit auswählen)				
Bei Nennwärmeleistung	e _{lmax}	0.002	kW	einstufige Wärmeleistung, keine Raumtemperaturkontrolle			nein	
Bei Mindestwärmeleistung	e _{lmin}	N.A.	kW	zwei oder mehr manuell einstellbare Stufen, keine Raumtemperaturkontrolle			nein	
Im Bereitschaftszustand	e _{lSB}	N.A.	kW	Raumtemperaturkontrolle mit mechanischem Thermostat			nein	
				mit elektronischer Raumtemperaturkontrolle			ja	
				elektronische Raumtemperaturkontrolle und Tageszeitregelung			nein	
				elektronische Raumtemperaturkontrolle und Wochentagsregelung			nein	

				Sonstige Regelungsoptionen (Mehrfachnennungen möglich)			
				Raumtemperaturkontrolle mit Präsenzerkennung	nein		
				Raumtemperaturkontrolle mit Erkennung offener Fenster	nein		
				mit Fernbedienungsoption	nein		
				mit adaptiver Regelung des Heizbeginns	nein		
				mit Betriebszeitbegrenzung	nein		
				mit Schwarzkugelsensor	nein		
Leistungsbedarf der Pilotflamme							
Leistungsbedarf der Pilotflamme (soweit vorhanden)	P _{pilot}	0	kW				
Kontaktangaben	Velleman nv Legen Heirweg 33, 9890 Gavere, Belgien						
(*) NO _x = Stickoxide							

FT130C

Leistung 30 kW
 Temperatur..... 10236 BTU/h
 Tankinhalt 38 L
 geeignet zum Aufheizen von Oberflächen bis max..... 320-420 m²
 Brennstoffverbrauch..... 2.80 L/h
 Luftdurchsatz 720 m³/h
 Abmessungen 880 x 456 x 590 mm
 Gewicht..... 21 kg

Erforderliche Angaben zu Einzelraumheizgeräten für gasförmige/flüssige Brennstoffe

Modellkennung(en): FT130C							
Indirekte Heizfunktion: nein							
Direkte Heizfunktion: 30 (kW)							
Indirekte Wärmeleistung: N.A. (kW)							
Brennstoff				Raumheizungs-Emissionen (*)			
				NO _x			
Bitte Brennstoffart auswählen		flüssig		Kerosin		69 [mg/kWh _{input}] (GCV)	
Angabe	Symbol	Wert	Einheit	Angabe	Symbol	Wert	Einheit
Wärmeleistung				Thermischer Wirkungsgrad (NCV)			
Nennwärmeleistung	P _{nom}	30.0	kW	thermischer Wirkungsgrad bei Nennwärmeleistung	η _{th, nom}	100	%
Mindestwärmeleistung (Richtwert)	P _{min}	N.A.	kW	thermischer Wirkungsgrad bei Mindestwärmeleistung (Richtwert)	η _{th, min}	N.A.	%

Hilfsstromverbrauch				Art der Wärmeleistung/Raumtemperaturkontrolle (bitte eine Möglichkeit auswählen)			
Bei Nennwärmeleistung	$e_{l_{max}}$	0.002	kW	einstufige Wärmeleistung, keine Raumtemperaturkontrolle			nein
Bei Mindestwärmeleistung	$e_{l_{min}}$	N.A.	kW	zwei oder mehr manuell einstellbare Stufen, keine Raumtemperaturkontrolle			nein
Im Bereitschaftszustand	$e_{l_{SB}}$	N.A.	kW	Raumtemperaturkontrolle mit mechanischem Thermostat			nein
				mit elektronischer Raumtemperaturkontrolle			ja
				elektronische Raumtemperaturkontrolle und Tageszeitregelung			nein
				elektronische Raumtemperaturkontrolle und Wochentagsregelung			nein
				Sonstige Regelungsoptionen (Mehrfachnennungen möglich)			
				Raumtemperaturkontrolle mit Präsenzerkennung			nein
				Raumtemperaturkontrolle mit Erkennung offener Fenster			nein
				mit Fernbedienungsoption			nein
				mit adaptiver Regelung des Heizbeginns			nein
				mit Betriebszeitbegrenzung			nein
				mit Schwarzkugelsensor			nein
Leistungsbedarf der Pilotflamme							
Leistungsbedarf der Pilotflamme (soweit vorhanden)	P_{pilot}	0	kW				
Kontaktangaben	Velleman nv Legen Heirweg 33, 9890 Gavere, Belgien						
(*) NO _x = Stickoxide							

Verwenden Sie dieses Gerät nur mit originellen Zubehörteilen. Velleman NV übernimmt keine Haftung für Schaden oder Verletzungen bei (falscher) Anwendung dieses Gerätes. Für mehr Informationen zu diesem Produkt und die neueste Version dieser Bedienungsanleitung, siehe www.velleman.eu. Alle Änderungen ohne vorherige Ankündigung vorbehalten.

© URHEBERRECHT

Velleman NV besitzt das Urheberrecht für diese Bedienungsanleitung. Alle weltweiten Rechte vorbehalten. Ohne vorherige schriftliche Genehmigung des Urhebers ist es nicht gestattet, diese Bedienungsanleitung ganz oder in Teilen zu reproduzieren, zu kopieren, zu übersetzen, zu bearbeiten oder zu speichern.

INSTRUKCJA OBSŁUGI

1. Wstęp

Przeznaczona dla mieszkańców Unii Europejskiej.

Ważne informacje dotyczące środowiska.

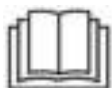


Niniejszy symbol umieszczony na urządzeniu bądź opakowaniu wskazuje, że utylizacja produktu może być szkodliwa dla środowiska. Nie należy wyrzucać urządzenia (lub baterii) do zbiorczego pojemnika na odpady komunalne, należy je przekazać specjalistycznej firmie zajmującej się recyklingiem. Niniejsze urządzenie należy zwrócić dystrybutorowi lub lokalnej firmie świadczącej usługi recyklingu. Przestrzegać lokalnych zasad dotyczących środowiska

W razie wątpliwości należy skontaktować się z lokalnym organem odpowiedzialnym za utylizację odpadów.

Dziękujemy za wybór produktu firmy Perel! Prosimy o dokładne zapoznanie się z instrukcją obsługi przed użyciem urządzenia. Nie montować ani nie używać urządzenia, jeśli zostało uszkodzone podczas transportu - należy skontaktować się ze sprzedawcą.

2. Wskazówki bezpieczeństwa



Przed zastosowaniem urządzenia należy zapoznać się z niniejszą instrukcją oraz symbolami bezpieczeństwa.



Uwaga: Aby uniknąć przegrzewania, nie należy zakrywać urządzenia.

Z niniejszego urządzenia mogą korzystać dzieci powyżej 8 roku życia i osoby o ograniczonych zdolnościach fizycznych, zmysłowych bądź umysłowych, jak również osoby nieposiadające doświadczenia lub znajomości urządzenia, jeśli znajdują się one pod nadzorem innych osób lub jeśli zostały pouczone na temat bezpiecznego sposobu użycia urządzenia oraz zdają sobie sprawę ze związanych z nim zagrożeń. Dzieci nie mogą używać urządzenia do zabawy. Prace związane z czyszczeniem i konserwacją nie mogą być wykonywane przez dzieci pozostawione bez nadzoru.

Jeśli zewnętrzny, elastyczny kabel lub przewód urządzenia jest uszkodzony, powinien zostać wymieniony przez producenta, w autoryzowanym serwisie lub przed wykwalifikowaną osobą, aby uniknąć zagrożenia.

Nie używać urządzenia w bezpośrednim sąsiedztwie wanien, kabin prysznicowych lub basenów. Nie instalować urządzenia bezpośrednio pod gniazdkiem.

Niektóre elementy urządzenia mogą się mocno nagrzewać i powodować oparzenia. Nie dotykać urządzenia, gdy jest uruchomione lub krótko po użyciu. Nie opierać kabla zasilającego o gorące urządzenie.

Urządzenie nie może być uruchamiane za pośrednictwem zewnętrznego urządzenia uruchamiającego, takiego jak timer, ani podłączane do obwodu, który regularnie jest włączany i wyłączany w zależności od sposobu użytkowania.

Nie zaleca się stosowania przedłużacza lub rozgałęziacza przy podłączaniu urządzenia do sieci. Takie podłączenie może powodować przeciążenie, przegrzanie, a nawet pożar na przedłużaczu lub rozgałęziaczu, ze względu na nieodpowiednią jakość połączenia.

Zamontować urządzenie w pozycji pionowej, w odległości min. 0,5 m od mebli i innych przedmiotów. Nie używać urządzenia w pobliżu materiałów lub gazów palnych lub wybuchowych.

Przy pierwszym użyciu urządzenia może uwalniać się niewielki dym i zapach, spowodowany substancjami nałożonymi przed transportem na elementy grzejne. Jest to normalne zjawisko i nie powinno być uznawane za usterkę.

Nagrzewnice ciśnieniowe wykorzystują powietrze (tlen) z miejsca, w którym są one używane. Konieczne jest zapewnienie odpowiedniej ilości powietrza do spalania i wentylacji.

Nie przechowywać i nie używać benzyny ani innych łatwopalnych par i cieczy w pobliżu urządzenia. Łatwopalne ciała stałe (np. materiały budowlane, papier, karton) należy trzymać w bezpiecznej odległości od urządzenia. Nie używać urządzenia na obszarach, na których znajdują się lub mogą się znajdować lotne lub unoszące się w powietrzu substancje palne, jak np. benzyna, rozpuszczalniki, rozcieńczalniki do farb, pyły lub nieznanne środki chemiczne.

Nieprawidłowo używane nagrzewnice bezpośrednie mogą spowodować zatrucie tlenkiem węgla (CO), np. w przypadku stosowania wewnątrz pomieszczeń bez zapewnienia odpowiedniego obiegu powietrza, lub nieprawidłowego działania. Zatrucie tlenkiem węgla może prowadzić do śmierci.

Urządzenie nie nadaje się do stosowania w pojazdach rekreacyjnych lub innych pojazdach lub przyczepach wyposażonych w przestrzeń mieszkalną.

Układ elektryczny, do którego urządzenie jest podłączone, musi być zgodny z obowiązującym prawem. Montaż wymaga wbudowania wyłącznika ochronnego prądowego (RCCB) w głównej rozdzielni elektrycznej.

Odłączyć urządzenie przed rozpoczęciem jakichkolwiek prac konserwacyjnych.

Każdorazowo przed użyciem urządzenia należy skontrolować kabel zasilania. Nie może być zgięty, napięty, naciągnięty, zmiażdżony lub uszkodzony. Jeśli zewnętrzny, giętki kabel lub przewód urządzenia jest uszkodzony, należy go zastąpić specjalnym przewodem, lub przewodem udostępnianym wyłącznie przez producenta lub jego agenta serwisowego.

Nie dotykać przedniego otworu wylotowego, podczas pracy jest on bardzo gorący.

Niezachowanie zgodności z ostrzeżeniami i instrukcjami zawartymi w niniejszym dokumencie może skutkować śmiercią, odniesieniem poważnych obrażeń i uszkodzeniem mienia w wyniku pożaru, wybuchu, oparzenia, uduszenia, zatrucia tlenkiem węgla i/lub porażenia elektrycznego.

3. Informacje ogólne

Proszę zapoznać się z informacjami w części Usługi i gwarancja jakości Velleman® na końcu niniejszej instrukcji.

Wprowadzanie zmian w urządzeniu jest zabronione ze względów bezpieczeństwa. Uszkodzenia spowodowane zmianami wprowadzonymi przez użytkownika nie podlegają gwarancji.

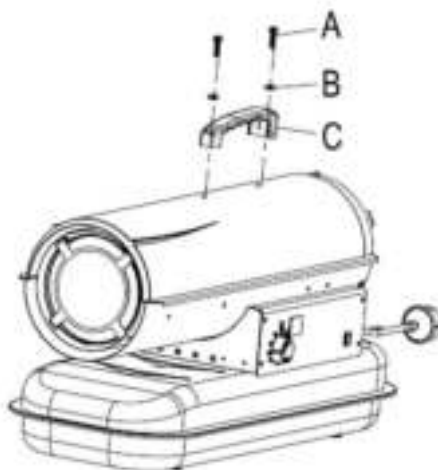
Stosować urządzenie wyłącznie zgodnie z przeznaczeniem. Używanie urządzenia w niedozwolony sposób spowoduje unieważnienie gwarancji.

Gwarancja nie obejmuje uszkodzeń spowodowanych nieprzestrzeganiem niniejszej instrukcji, a sprzedawca nie ponosi odpowiedzialności za wynikłe uszkodzenia lub problemy.

Firma Velleman ani jej dystrybutorzy nie ponoszą odpowiedzialności za jakiegokolwiek szkody (nadzwyczajne, przypadkowe lub pośrednie) dowolnej natury (finansowe, fizyczne...), wynikające z posiadania, użytkowania lub awarii niniejszego produktu.

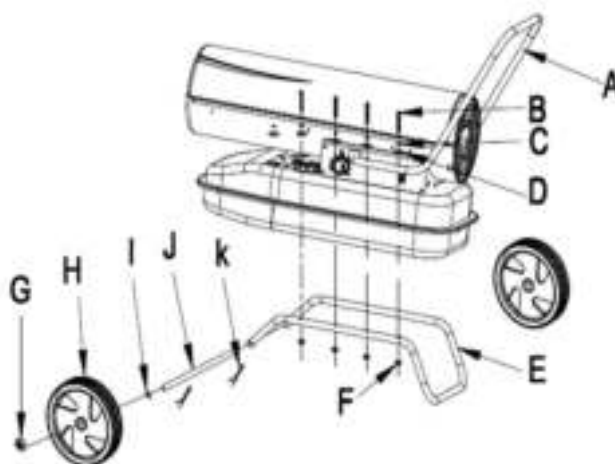
Zachować niniejszą instrukcję na przyszłość.

4. Przegląd



A	2x śruba
B	2x podkładka zwykła

C	1x rączka
----------	-----------



A	1x rączka
B	6x lub 8x śruba
C	6x lub 8x podkładka sprężysta
D	6x lub 8x podkładka zwykła
E	1x podstawka
F	6x lub 8x nakrętka M5

G	2x nakrętka M12
H	2x koło
I	2x podkładka zwykła Ø 12
J	1x oś kół
K	2x przetyczka

5. Montaż

Ustawić pionowo na płaskiej suchej, stabilnej i nieśliskiej powierzchni.

Nagrzewnice bezpośrednie są przeznaczone do stosowania na otwartych przestrzeniach na zewnątrz pomieszczeń lub w dobrze wentylowanych pomieszczeniach. W przypadku użytkowania wewnątrz pomieszczeń należy zapewnić wentylację przynajmniej 25 cm²/kW, z otworami równomiernie rozmieszczonymi pomiędzy podłogą a poziomem wysokim, o powierzchni przekroju przynajmniej 250 cm².

FT120C	FT130C
600 cm ²	800 cm ²

Zamontować urządzenie w normalnej pozycji pionowej.

Nie ustawiać urządzenia w pobliżu ścian, w rogach lub pod niskimi sufitami. Nie ustawiać urządzenia pod gniazdkami elektrycznymi. Nie ustawiać urządzenia na poruszających się pojazdach lub w miejscach, w których mogłyby się przewrócić.

Trzymać urządzenie z dala od materiałów łatwopalnych, wybuchowych lub korozyjnych. Nie stosować urządzenia w pobliżu wanien, pryszniców ani basenów. Trzymać urządzenie z dala od zasłon lub podobnych materiałów mogących blokować wlot i wylot powietrza. Pod żadnym pozorem nie blokować ani nie ograniczać wlotu lub wylotu powietrza.

Przewody zasilające należy trzymać z dala od źródeł ciepła, ostrych krawędzi i części ruchomych.

Nie narażać urządzenia na bezpośrednie oddziaływanie warunków atmosferycznych lub nadmiernej wilgoci.

Urządzenie należy montować i stosować na ognioodpornych podłożach.

Nie podłączać nagrzewnicy bezpośrednio do kanału wentylacyjnego.

Należy przestrzegać ogólnych i szczegółowych przepisów przeciwpożarowych obowiązujących we wszystkich obszarach zastosowania. W każdym przypadku należy zapewnić minimalną bezpieczną odległość od materiałów lub przedmiotów w otoczeniu urządzenia.

bok	0.6 m
strona z wlotem powietrza	1 m
górze	1.5 m
strona z wylotem gorącego powietrza	3 m
podłoże	0 m

6. Paliwo

Nagrzewnice na olej napędowy mogą być opalane olejem napędowym lub naftą. Nafta zapewnia najczystsze spalanie. Należy pamiętać, że im więcej pyłu i zanieczyszczeń w paliwie, tym skuteczniejsza wentylacja jest wymagana! Należy używać jak najczystsze paliwa.

Nafta może być przechowywana wyłącznie w niebieskich pojemnikach. Pojemniki czerwone są przeznaczone na benzynę.

Do nagrzewnicy nie używać żadnych innych paliw, jak np. benzyna, alkohol, oleje. Może to doprowadzić do pożaru lub wybuchu.

Nie przechowywać nafty bezpośrednio na słońcu lub w pobliżu źródeł ciepła.

Nie przechowywać nafty w pomieszczeniach mieszkalnych/roboczych, ale w miejscach dobrze wentylowanych, jak np. szopa, skład itd.

Nigdy nie używać nafty pochodzącej z poprzedniego sezonu. Jakość nafty pogarsza się z czasem - stara nafta nie będzie prawidłowo się spalać.

W miarę możliwości do zasilania opisywanej nagrzewnicy należy używać nafty 1-K. Można również użyć innej nafty wysokiej jakości.

7. Obsługa

7.1 Uruchamianie

1. Napełnić zbiornik odpowiednim paliwem. Wskaźnik w górnej części zbiornika pozwala na kontrolowanie poziomu paliwa.
2. Następnie podłączyć do uziemionego gniazdka sieciowego.
3. Zapali się wskaźnik zasilania, a na wyświetlaczu pokaże się temperatura otoczenia.
4. Przeszawić wyłącznik na pozycję włączoną. Jeżeli pokrętko termostatu jest ustawione na wartość wyższą niż temperatura otoczenia, urządzenie uruchomi się. Po osiągnięciu temperatury otoczenia urządzenie się zatrzyma.

7.2 Zimny start

Przy niskich temperaturach otoczenia, podczas zapłonu należy trzymać palec na odpowietrzniku. W przypadku awarii (brak płomienia, zredukowany przepływ powietrza, złe spalanie), urządzenie zatrzyma się, a lampka wskaźnikowa zacznie migać (tryb blokady).

7.3 Ręczny reset/powodne uruchomienie

Jeżeli urządzenie znajduje się w trybie blokady, przed ponownym uruchomieniem należy zidentyfikować i usunąć przyczynę, która do tego doprowadziła. W celu zresetowania urządzenia należy przesłać wyłącznik na pozycję wyłączoną, a następnie z powrotem na pozycję włączoną.

W przypadku powtarzającej się usterki należy skontaktować się z dystrybutorem.

7.4 Wyłączenie

Przeszawić wyłącznik na pozycję wyłączoną i odłączyć urządzenie od sieci.

8. Czyszczenie i konserwacja

Informacje ogólne

Przed czyszczeniem należy wyłączyć urządzenie, odłączyć od sieci i pozostawić do całkowitego schłodzenia.

Nie zanurzać urządzenia w wodzie ani w innej cieczy. Chronić przed rozbryzgami i rozpryskami cieczy.

Co jakiś czas przetrzeć wilgotną ściereczką, aby utrzymać urządzenie w dobrym stanie. Nie stosować szorstkich środków chemicznych, rozpuszczalników czyszczących ani silnych detergentów.

Nie dopuszczać do nagromadzenia się pyłu i zanieczyszczeń na wlocie powietrza i w wentylatorze. Aby wyczyścić elementy wewnętrzne, należy delikatnie przedmuchać je sprężonym powietrzem przez otwór wlotowy powietrza.

Przed schowaniem należy upewnić się, że urządzenie jest całkowicie suche i chłodne. Zapakować w plastikową torbę i przechowywać w suchym, dobrze wentylowanym miejscu.

Każdorazowo przed rozpoczęciem sezonu wykwalifikowany personel musi przeprowadzić następujące kontrole:

Dysza

Ostrożnie odkręcić złącze dyszy. Usunąć zanieczyszczenia z otworu dyszy strumieniem sprężonego powietrza. W razie konieczności wymienić dyszę.

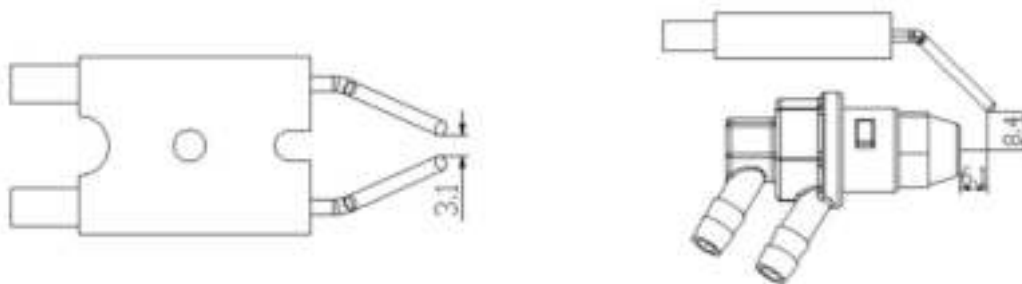
Filtry powietrza

Wyczyścić filtry powietrza. Zdjąć pokrywę filtra [c], umyć filtr wlotowy powietrza [b] łagodnym detergentem i dokładnie osuszyć przed ponownym montażem. Raz na rok wymieniać filtr powietrza [a].



Elektrody zapłonowe

Wyczyścić, wyregulować i w razie potrzeby wymienić elektrody zapłonowe.

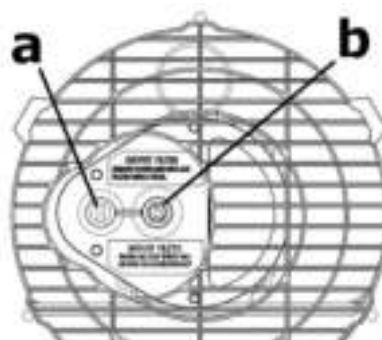


Regulacja ciśnienia sprężarki



Ciśnienie sprężarki zostało ustawione fabrycznie i może być sprawdzane i regulowane wyłącznie przez wykwalifikowanych techników. Manipulacja przy urządzeniu może być niebezpieczna.

Zdjąć zaślepkę otworu manometru [a]. Podłączyć manometr do gniazda ciśnieniowego w pokrywie tylnej. Uruchomić urządzenie i dokonać odczytu ciśnienia powietrza. W razie konieczności ustawić ciśnienie na prawidłową wartość obracając śrubę regulacyjną (otwór odpowietrznika [b]) w prawo (zwiększanie ciśnienia) lub w lewo (zmniejszanie ciśnienia).



a zaśleпка otworu manometru

b otwór odpowietrznika

Kontrola elektryczna

Skontrolować wszystkie kable, części elektryczne i połączenia.

9. Wykrywanie i usuwanie usterek

Usterka	Przyczyna	Rozwiązanie
Silnik się nie uruchamia. → E1.	Brak zasilania lub niskie napięcie.	Sprawdzić linię zasilania i napięcie. Sprawdzić bezpiecznik i w razie potrzeby wymienić.
	Wadliwy lub uszkodzony kabel zasilania.	Sprawdzić i w razie potrzeby wymienić.
	Wadliwy silnik/kondensator.	Sprawdzić i w razie potrzeby wymienić.
	Blokada urządzenia z powodu wcześniejszego przegrzania.	Wykryć przyczynę przegrzania. Wyłączyć urządzenie. Sprawdzić wlot i wylot powietrza. Odczekać parę minut i zrestartować urządzenie.
→ E2.	Uszkodzona sonda temperatury lub poluzowany łącznik sondy temperatury.	Sprawdzić i w razie potrzeby wymienić sondę temperatury. Sprawdzić i w razie potrzeby wymienić PCB.
Silnik pracuje, ale nagrzewnica nie zapala się i po krótkim czasie blokuje się. → E1.	Pusty zbiornik paliwa, zanieczyszczone lub niewłaściwe paliwo.	Usunąć niewłaściwe lub zanieczyszczone paliwo. Napełnić zbiornik czystym olejem napędowym lub naftą.
	Zatkany filtr paliwa.	Wyczyścić lub wymienić filtr paliwa.
	Wypływ powietrza w linii olejowej.	Sprawdzić przewody, uszczelnić złącza i w razie potrzeby wymienić.
	Zatkana dysza palnika.	Oczyścić dyszę sprężonego powietrza i w razie potrzeby wymienić.
Płomienie wydobywają się z wylotu spalin. → E1.	Zwiększona lepkość paliwa w niskich temperaturach.	Wymieszać olej napędowy z 10-20% nafty.
	Niewystarczający dopływ powietrza do komory spalania. Ciśnienie sprężarki zbyt wysokie.	Sprawdzić wylot powietrza, wentylator i silnik. Sprawdzić ciśnienie powietrza i w razie potrzeby wyregulować.
Grzejnik zatrzymuje się podczas pracy. → Wyświetla się temperatura otoczenia.	Osiągnięto wartość temperatury pokojowej ustawioną na termostacie pokojowym.	Normalna praca. Aby rozpocząć, należy przekręcić pokrętkę regulacji temperatury w prawo na wyższe ustawienie.
Grzejnik zatrzymuje się podczas pracy. → E1.	Awaria płomienia.	Sprawdzić i usunąć przyczynę(y) niesprawności. Aby zresetować, należy przełączyć na 0, a następnie na I. Jeśli problem utrzymuje się, należy skontaktować się z serwisem technicznym.
	Złe spalanie.	
	Zmniejszony przepływ powietrza.	
	Przegrzanie.	

10. Specyfikacja techniczna

zasilanie 220-240 V~, 50 Hz, 230 W
 paliwo olej napędowy/nafta
 klasa IP IPX4

FT120C

zasilanie 20 kW
 wydajność cieplna 68240 BTU/h
 pojemność zbiornika paliwa 19 L
 ogrzewana powierzchnia 220-300 m²
 zużycie paliwa 1.94 L/h
 przepływ powietrza 550 m³/h
 wymiary 750 x 315 x 415 mm
 waga 14 kg

Wymogi w zakresie informacji dotyczące miejscowych ogrzewaczy pomieszczeń na paliwa gazowe/ciekłe

Identyfikator(-y) modelu: FT120C								
Funkcja ogrzewania pośredniego: nie								
Bezpośrednia moc cieplna: 20 (kW)								
Pośrednia moc cieplna: nd. (kW)								
Paliwo						Emisje z miejscowych ogrzewaczy pomieszczeń (*)		
						NO _x		
Należy wybrać rodzaj paliwa			ciekłe		nafta		79 [mg/kWh _{input}] (GCV)	
Parametr	Oznaczenie	Wartość	Jednostka		Parametr	Oznaczenie	Wartość	Jednostka
Moc cieplna				Sprawność użytkowa (NCV)				
Nominalna moc cieplna	P _{nom}	20.0	kW		Sprawność użytkowa przy nominalnej mocy cieplnej	η _{th,nom}	100	%
Minimalna moc cieplna (orientacyjna)	P _{min}	nd.	kW		Sprawność użytkowa przy minimalnej mocy cieplnej (orientacyjnej)	η _{th,min}	nd.	%
Zużycie energii elektrycznej na potrzeby własne				Rodzaj mocy cieplnej/regulacja temperatury w pomieszczeniu (należy wybrać jedną opcję)				
Przy nominalnej mocy cieplnej	e _{lmax}	0.002	kW		jednostopniowa moc cieplna, bez regulacji temperatury w pomieszczeniu			nie
Przy minimalnej mocy cieplnej	e _{lmin}	nd.	kW		co najmniej dwa ręczne stopnie bez regulacji temperatury w pomieszczeniu			nie
W trybie czuwania	e _{lsb}	nd.	kW		mechaniczna regulacja temperatury w pomieszczeniu za pomocą termostatu			nie
					elektroniczna regulacja temperatury w pomieszczeniu			tak
					elektroniczna regulacja temperatury w pomieszczeniu i sterownik dobowy			nie
					elektroniczna regulacja temperatury w pomieszczeniu i sterownik tygodniowy			nie

				Inne opcje regulacji (można wybrać kilka)			
				regulacja temperatury w pomieszczeniu z wykrywaniem obecności	nie		
				regulacja temperatury w pomieszczeniu z wykrywaniem otwartego okna	nie		
				opcję regulacji na odległość	nie		
				adaptacyjną regulację startu	nie		
				z ograniczeniem czasu pracy	nie		
				z czujnikiem ciepła promieniowania	nie		
Zapotrzebowanie na energię stałego płomienia pilotującego							
Zapotrzebowanie na energię płomienia pilotującego (o ile dotyczy)	P _{pilot}	0	kW				
Dane teleadresowe	Velleman NV Legen Heirweg, 33 9890 Gavere, Belgium						
(*) NO _x = lenki azotu							

FT130C

zasilanie 30 kW
wydajność cieplna 10236 BTU/h
pojemność zbiornika paliwa 38 L
ogrzewana powierzchnia 320-420 m²
zużycie paliwa 2.80 L/h
przepływ powietrza 720 m³/h
wymary 880 x 456 x 590 mm
waga 21 kg

Wymogi w zakresie informacji dotyczące miejscowych ogrzewaczy pomieszczeń na paliwa gazowe/cieple

Identyfikator(-y) modelu: FT130C								
Funkcja ogrzewania pośredniego: nie								
Bezpośrednia moc cieplna: 30 (kW)								
Pośrednia moc cieplna: nd. (kW)								
Paliwo						Emisje z miejscowych ogrzewaczy pomieszczeń (*)		
						NO _x		
Należy wybrać rodzaj paliwa			cieple		nafta		69 [mg/kWh _{input}] (GCV)	
Parametr	Oznaczenie	Wartość	Jednostka		Parametr	Oznaczenie	Wartość	Jednostka

Moc cieplna				Sprawność użytkowa (NCV)			
Nominalna moc cieplna	P_{nom}	30.0	kW	Sprawność użytkowa przy nominalnej mocy cieplnej	$\eta_{th,nom}$	100	%
Minimalna moc cieplna (orientacyjna)	P_{min}	nd.	kW	Sprawność użytkowa przy minimalnej mocy cieplnej (orientacyjnej)	$\eta_{th,min}$	nd.	%
Zużycie energii elektrycznej na potrzeby własne				Rodzaj mocy cieplnej/regulacja temperatury w pomieszczeniu (należy wybrać jedną opcję)			
Przy nominalnej mocy cieplnej	e_{lmax}	0.002	kW	jednostopniowa moc cieplna, bez regulacji temperatury w pomieszczeniu			nie
Przy minimalnej mocy cieplnej	e_{lmin}	nd.	kW	co najmniej dwa ręczne stopnie bez regulacji temperatury w pomieszczeniu			nie
W trybie czuwania	e_{lsb}	nd.	kW	mechaniczna regulacja temperatury w pomieszczeniu za pomocą termostatu			nie
				elektroniczna regulacja temperatury w pomieszczeniu			tak
				elektroniczna regulacja temperatury w pomieszczeniu i sterownik dobowy			nie
				elektroniczna regulacja temperatury w pomieszczeniu i sterownik tygodniowy			nie
				Inne opcje regulacji (można wybrać kilka)			
				regulacja temperatury w pomieszczeniu z wykrywaniem obecności			nie
				regulacja temperatury w pomieszczeniu z wykrywaniem otwartego okna			nie
				opcję regulacji na odległość			nie
				adaptacyjną regulację startu			nie
				z ograniczeniem czasu pracy			nie
				z czujnikiem ciepła promieniowania			nie
Zapotrzebowanie na energię stałego płomienia pilotującego							
Zapotrzebowanie na energię płomienia pilotującego (o ile dotyczy)	P_{pilot}	0	kW				
Dane teleadresowe	Velleman NV Legen Heirweg, 33 9890 Gavere, Belgium						
(*) NO _x = lenki azotu							

Należy używać wyłącznie oryginalnych akcesoriów. Firma Velleman nv nie ponosi odpowiedzialności za uszkodzenia lub urazy wynikające z (niewłaściwego) korzystania z niniejszego urządzenia. Aby uzyskać więcej informacji dotyczących produktu oraz najnowszą wersję niniejszej instrukcji, należy odwiedzić naszą stronę internetową www.velleman.eu. Informacje zawarte w niniejszej instrukcji obsługi mogą ulec zmianie bez wcześniejszego powiadomienia.

© INFORMACJA O PRAWACH AUTORSKICH

Właścicielem praw autorskich do niniejszej instrukcji jest firma Velleman nv. Wszelkie prawa są zastrzeżone na całym świecie. Żadna część niniejszej instrukcji nie może być kopiowana, powielana, tłumaczona ani przenoszona na jakikolwiek nośnik elektroniczny (lub w inny sposób) bez wcześniejszej pisemnej zgody właściciela praw autorskich.

MANUAL DO UTILIZADOR

1. Introdução



Aos cidadãos da União Europeia

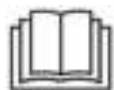
Importantes informações sobre o meio ambiente no que respeita a este produto

Este símbolo no aparelho ou na embalagem indica que, enquanto desperdícios, poderão causar danos no meio ambiente. Não coloque a unidade (ou as pilhas) no depósito de lixo municipal; deve dirigir-se a uma empresa especializada em reciclagem. Devolva o aparelho ao seu distribuidor ou ao posto de reciclagem local. Respeite a legislação local relativa ao meio ambiente.

Em caso de dúvidas, contacte com as autoridades locais para os resíduos.

Agradecemos o facto de ter escolhido a Perel! Leia atentamente as instruções do manual antes de usar o aparelho. Caso o aparelho tenha sofrido algum dano durante o transporte não o instale e entre em contacto com o seu distribuidor.

2. Instruções de segurança



Leia este manual atentamente antes da utilização ou instalação.



Advertência: De modo a evitar o sobreaquecimento, não cubra o aquecedor.

Este aparelho pode ser usado por crianças com idade igual ou superior a 8 anos e pessoas com capacidades físicas, mentais e sensoriais reduzidas, ou com falta de experiência e conhecimentos acerca do aparelho, desde que sejam supervisionadas e informadas acerca da utilização do aparelho e possíveis acidentes. As crianças não devem brincar com o aparelho. A limpeza e manutenção não devem ser feitas por crianças sem a devida supervisão.

Se o cabo flexível externo ou o cabo de alimentação estiverem danificados, devem ser substituídos única e exclusivamente pelo fabricante, um agente autorizado, ou um técnico igualmente qualificado de modo a evitar qualquer acidente.

Não use este aparelho perto de uma banheira, chuveiro ou piscina. Não instale este aparelho imediatamente por baixo de uma tomada.

Alguns dos componentes deste aparelho podem ficar bastante quentes e provocar queimaduras. Não toque no aparelho durante o seu funcionamento ou logo após ter sido desligado. Não apoie o cabo de alimentação no aparelho enquanto este estiver quente.

Este aparelho não deve ser alimentado através de um dispositivo de comutação externo, como um temporizador, ou conectado a um circuito que é normalmente ligado e desligado pelo utilizador.

Não está recomendada a utilização de um cabo de extensão ou de um adaptador multi-ficha ao ligar este aparelho à rede elétrica. A ligação através desse tipo de dispositivos pode levar a um risco de sobrecarga, sobreaquecimento e até mesmo queimar cabo de extensão ou o adaptador devido a uma conexão inadequada.

Instale o aparelho na posição vertical e a uma distância mínima de 0,5 m de móveis e outros objetos. Nunca coloque o aparelho a funcionar próximo de materiais explosivos ou inflamáveis ou gases.

Na primeira vez que utiliza o aparelho poderá sentir um pouco de fumo e cheiro, devido às substâncias de proteção aplicadas ao elemento de aquecimento antes do transporte. Isto é normal e não deve ser considerada uma avaria.

Os aquecedores portáteis não ventilados usam o ar (oxigénio) da área em que estão a ser usados. Deve garantir sempre uma boa combustão e uma boa ventilação.

Não guarde ou use gasolina ou outros líquidos inflamáveis perto deste dispositivo. Mantenha os combustíveis sólidos como materiais de construção, papel ou cartão, a uma distância segura do dispositivo. Nunca use o dispositivo em espaços que onde existam ou possam existir combustíveis voláteis ou aéreos, ou produtos como gasolina, solventes, diluente, partículas de pó ou substâncias químicas desconhecidas.

Os aquecedores de queima direta podem causar intoxicação por monóxido de carbono (CO), quando utilizados de forma incorrecta, por exemplo, dentro de uma casa sem circulação de ar adequada, ou se não estiverem a funcionar convenientemente. O envenenamento por monóxido de carbono pode levar à morte.

Não indicado para usar em veículos recreativos e outros veículos a motor ou reboques equipados com espaço habitacional e amenidades.

O sistema eléctrico ao qual o aparelho está ligado deve estar em conformidade com a legislação em vigor. A instalação requer um disjuntor de corrente residual (RCCB) na placa de distribuição eléctrica principal.

Desligue o aparelho antes de proceder a qualquer operação de manutenção.

Verifique sempre o cabo de alimentação antes de usar o aparelho. Não pode ser dobrado, esticado, esmagado ou danificado. Se o cabo flexível externo estiver danificado, deve ser substituído por um cabo especial, apenas disponível junto do fabricante ou de um agente autorizado.

Não toque na saída frontal pois esta fica muito quente durante o funcionamento.

O não respeito pelas precauções e instruções contidas neste manual pode resultar em morte, lesões corporais graves e danos resultantes de incêndio, explosão, queimaduras, asfixia, intoxicação por monóxido de carbono e ou choque eléctrico.

3. Normas gerais

Consulte a Garantia de Serviço e Qualidade Velleman® na parte final deste manual do utilizador.

Por razões de segurança, estão proibidas quaisquer modificações do aparelho desde que não autorizadas. Os danos causados por modificações não autorizadas do aparelho não estão cobertos pela garantia.

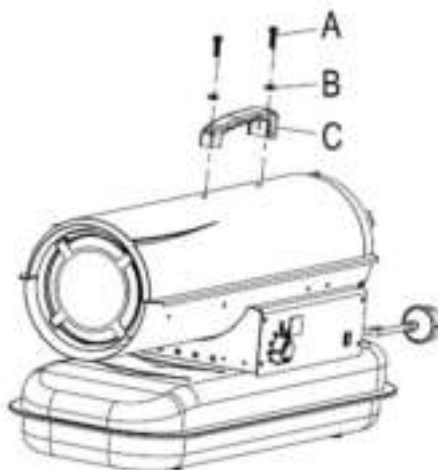
Utilize o aparelho apenas para as aplicações descritas neste manual. Uma utilização incorrecta anula a garantia completamente.

Danos causados pelo não cumprimento das normas de segurança referidas neste manual anulam a garantia e o seu distribuidor não será responsável por quaisquer danos ou outros problemas daí resultantes.

Nem Velleman NV nem os seus distribuidores podem ser responsabilizados por quaisquer danos (extraordinário, incidental ou indirecto) - de qualquer natureza decorrentes (financeira, física...) a partir da posse, uso ou falha do produto.

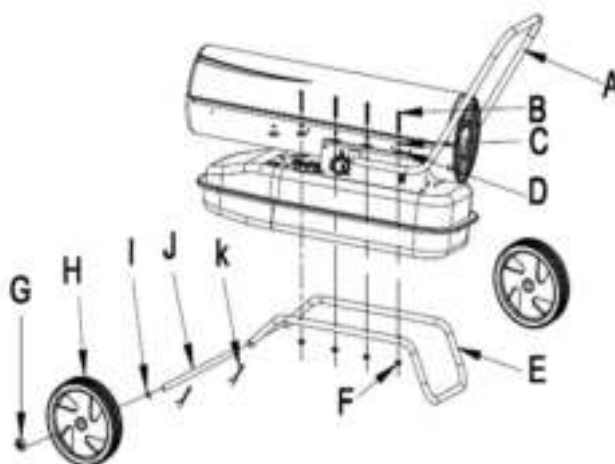
Guarde este manual para posterior consulta.

4. Descrição



A	2x parafuso
B	2x anilha simples

C	1x pega
----------	---------



A	1x pega
B	6x ou 8x parafusos
C	6x ou 8x anilha de mola
D	6x ou 8x anilha simples
E	1x pés
F	6x ou 8x porca M5

G	2x porca M12
H	2x roda
I	2x anilha simples Ø 12
J	1x eixo da roda
K	2x cavilha

5. Instalação

Instale o aparelho na vertical, numa superfície plana, seca, estável e anti-derrapante.

Os aquecedores de queima direta destinam-se a serem usados em áreas exteriores abertas ou em espaços interiores com boa ventilação. Caso seja usado em espaços interiores, garantir ventilação permanente de pelo menos 25 cm² / kW, igualmente distribuída entre o piso e o nível mais alto, com um mínimo de 250 cm².

FT120C	FT130C
600 cm ²	800 cm ²

Instale o aparelho na posição vertical.

Não coloque o aparelho perto de paredes, em canto ou sob tectos baixos. Não coloque o dispositivo por baixo de uma tomada. Não coloque o aparelho em veículos em movimento ou onde possa tombar.

Mantenha o dispositivo afastado de materiais inflamáveis, combustíveis, explosivos ou corrosivos. Não coloque o dispositivo na proximidade de uma banheira, duche ou piscina. Mantenha o dispositivo afastado de cortinas ou objetos semelhantes que possam bloquear a entrada e a saída de ar. Nunca bloqueie ou restrinja a entrada e a saída de ar, seja que por qualquer motivo for.

Mantenha o cabo de alimentação afastado de fontes de calor, arestas afiadas, peças cortantes e móveis.

Não exponha diretamente às condições climáticas ou humidade excessiva.

Instale e opere o aparelho em pisos à prova de fogo.

Não ligue o aquecedor de queima directa a uma conduta de ar.

Siga as normas gerais e especiais de segurança contra incêndios vigentes em todos os campos de aplicação. Em qualquer situação, garanta as seguintes distâncias mínimas de segurança relativamente a materiais ou objectos na proximidade do dispositivo.

lateral	0.6 m
lado da entrada de ar	1 m
topo	1.5 m
lado da saída de ar quente	3 m
chão	0 m

6. Combustível

Os aquecedores diesel funcionam com parafina ou diesel. A parafina permite uma combustão mais limpa. Esteja ciente de que quanto mais poeira e suidade existir no combustível, mais ventilação será necessária! Use o combustível mais limpo possível.

A parafina só pode ser armazenada em recipientes azuis. Os recipientes vermelhos estão associados à gasolina.

Nunca utilize outros combustíveis como gasolina, álcool, compostos de óleo ou algo semelhante aquecedor. Poderá ocorrer um incêndio ou explosão.

Nunca guarde a parafina sob a luz solar directa ou perto de uma fonte de calor.

Não armazenar a parafina em áreas habitacionais/trabalho, mas sim num local bem ventilada, como um galpão, arrumos ou similar.

Nunca use parafina que ficou da estação anterior. A qualidade da parafina deteriora-se e, conseqüentemente, deixa de queimar adequadamente

Se puder, use parafina 1-K neste aparelho. Poderá também ser utilizada qualquer outra parafina de qualidade superior.

7. Utilização

7.1 Iniciar

1. Encha o tanque com o combustível adequado. O indicador existente na parte superior do tanque permite-lhe verificar o nível.
2. De seguida, ligar a uma tomada com ligação à terra.
3. O indicador de alimentação acende e no visor aparece a temperatura ambiente.
4. Coloque o interruptor na posição de ligado. Se a temperatura definida pelo botão de controle do termostato for superior temperatura ambiente, o dispositivo será ativado. O dispositivo é desligado assim que a temperatura ambiente for atingida.

7.2 Arranque a Frio

Para temperaturas ambiente baixas, mantenha um dedo no orifício de ventilação durante a ignição. Em caso de mau funcionamento (falha da chama, fluxo de ar reduzido, combustão deficiente), o dispositivo pára e a luz indicadora começa a piscar (modo de bloqueio).

7.3 Reiniciar Manualmente

Se o dispositivo estiver no modo de bloqueio, verifique e resolva o bloqueio antes de o reiniciar. Para reiniciar, coloque o interruptor de ligar/desligar na posição de desligado e depois novamente para a posição ligado.

Caso o mau funcionamento persista, contacte o seu fornecedor.

7.4 Desligar

Coloque o interruptor na posição "off" e desligue da corrente elétrica.

8. Limpeza e manutenção

Geral

Antes da limpeza, desligue o aparelho, desligue-o da corrente elétrica e aguarde que arrefeça completamente.

Não mergulhe o aparelho em água ou qualquer outro líquido. Proteja-o de qualquer tipo de salpicos ou borrifos de líquido.

De vez em quando limpe o aparelho com um pano húmido para que fique como novo. Não use químicos, solventes ou detergentes abrasivos.

Mantenha a entrada de ar e o ventilador sempre livres de poeira e sujidade. Para limpar as peças internas, sopre suavemente ar comprimido através da entrada de ar.

Antes de o guardar, verifique se o aparelho está completamente frio e seco. Cubra o aparelho com um saco plástico e guarde-o num local seco e bem ventilado.

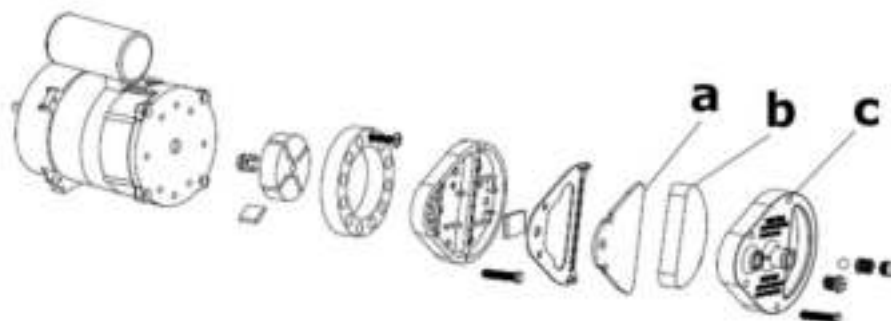
Um técnico qualificado deverá realizar as seguintes verificações antes de cada utilização sazonal:

Bocal

Desapertar cuidadosamente o encaixe do bocal. Soprar ar comprimido através do orifício do bocal para eliminar qualquer sujidade. Substituir o bocal caso seja necessário.

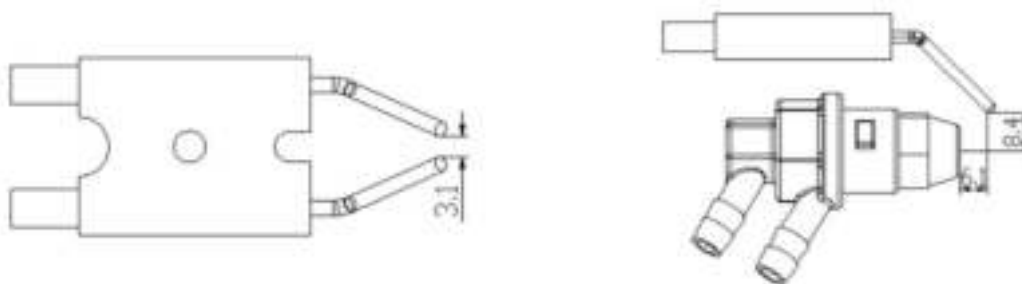
Filtros de Ar

Limpar os filtros de ar. Remover a tampa do filtro [c], lavar o filtro de entrada de ar [b] com um detergente suave e secá-lo completamente antes de o voltar a instalar. Substituir o filtro de admissão de ar [a] uma vez por ano.



Eléctrodos de Ignição

Limpar, ajustar e, se necessário, substituir os eléctrodos de ignição.

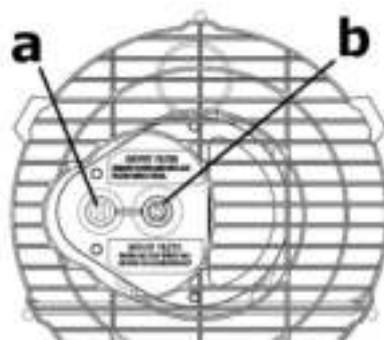


Ajustar a Pressão do Compressor



A pressão do compressor vem regulada de fábrica e deve ser verificada e ajustada apenas por técnicos qualificados. A manipulação da unidade pode ser perigosa.

Retire a tampa do manómetro [a]. Ligue um manómetro na entrada de medição de pressão na protecção traseira. Ligue o aparelho e leia o valor da pressão do ar. Se necessário, ajustar a pressão para o valor correcto rodando o parafuso de ajuste (o orifício de ventilação [b]) no sentido dos ponteiros do relógio para aumentar, ou no sentido contrário para diminuir a pressão.



a manómetro da pressão

b orifício de ventilação

Electricidade

Inspeccione todos os cabos, peças elétricas e conexões.

9. Resolução de problemas

problema	Causa	Solução
O motor não arranca. → aparece E1	Sem alimentação ou baixa tensão.	Verifique o cabo de alimentação e a tensão. Verifique o fusível e substitua-o se necessário.
	Cabo de alimentação defeituoso ou danificado.	Verifique e substitua, se necessário.
	Motor/capacitor defeituoso.	Verifique e substitua, se necessário.
	O aparelho encontra-se bloqueado devido a um prévio sobreaquecimento.	Detecte a causa do sobreaquecimento. Desligue o aparelho. Verifique a entrada e saída de ar. Aguarde alguns minutos até reiniciar o aparelho.
→ aparece E2.	A sonda da temperatura está avariada ou o conector da sonda de temperatura está mal apertado.	Verifique o estado da sonda e substitua-a se necessário.
		Verifique o estado da placa de circuitos impressos e substitua-a se necessário.
O motor funciona mas o aquecedor não arranca e bloqueia após um curto período de tempo. → aparece E1	Tanque do combustível vazio, combustível inadequado ou com sujidade.	Retire o combustível inadequado ou com sujidade. Encha o tanque com gasóleo limpo ou querosene.
	Filtro do combustível entupido.	Limpe ou substitua o filtro do combustível.
	Fugas de ar no tubo do óleo.	Verifique o tubos, aperte as ligações e substitua o que for necessário.
	Bocal do queimador entupido.	Limpe o bocal do queimador com um compressor e substitua-o se for necessário.
	A viscosidade do combustível aumentou com a baixa temperatura.	Misture gasóleo com 10-20% e querosene.
Saem chamas pela saída do combustível → aparece E1	Fluxo de ar insuficiente na câmara de combustão.	Verifique a entrada de ar, a ventoinha e o motor.
	A pressão do compressor está demasiado alta.	Verifique a pressão do ar e regule se necessário.
O aquecedor desliga durante o funcionamento. → É exibida a temperatura ambiente.	Foi alcançada temperatura definida no termostato.	Funcionamento normal. Para começar, rode o botão regulador da temperatura no sentido dos ponteiros do relógio para um valor superior.
O aquecedor desliga durante o funcionamento. → aparece E1	A chama falha.	Verifique e elimine a causa(s) do mau funcionamento. Para reiniciar, coloque o interruptor no 0 e depois no I. Solicite assistência técnica se o problema persistir.
	Má combustão.	
	Fluxo de ar reduzido.	
	Sobreaquecimento.	

10. Especificações

alimentação 220-240 V~, 50 Hz, 230 W
 combustível gasóleo/querosene
 grau de proteção IP IPX4

FT120C

potência 20 kW
 temperatura..... 68240 BTU/h
 capacidade do tanque de combustível 19 L
 superfície de aquecimento 220-300 m²
 consumo de combustível..... 1.94 L/h
 corrente de ar 550 m³/h
 dimensões 750 x 315 x 415 mm
 peso..... 14 kg

Requisitos de informação para aquecedores de ambiente local e combustível gasoso/líquido

Identificador(es) de modelo: FT120C							
Funcionalidade de aquecimento indireto: não							
Potência calorífica direta: 20 (kW)							
Potência calorífica indireta: N.A. (kW)							
Combustível				Emissões resultantes do aquecimento ambiente (*)			
				NO _x			
Selecionar o tipo de combustível				líquido	queroseno	79 [mg/kWh _{input}] (GCV)	
Elemento	Símbolo	Valor	Unidade	Elemento	Símbolo	Valor	Unidade
Temperatura				Eficiência útil (NCV)			
Potência calorífica nominal	P _{nom}	20.0	kW	Eficiência útil à potência calorífica nominal	η _{th, nom}	100	%
Potência calorífica mínima (indicativa)	P _{min}	N.A.	kW	Eficiência útil à potência calorífica mínima (indicativa)	η _{th, min}	N.A.	%
Consumo de eletricidade auxiliar				Tipo de potência calorífica/ comando da temperatura interior (selecionar uma opção)			
À potência calorífica nominal	e _{lmax}	0.002	kW	Potência calorífica numa fase única, sem comando da temperatura interior			não
À potência calorífica mínima	e _{lmin}	N.A.	kW	Em duas ou mais fases manuais, sem comando da temperatura interior			não
Em estado de vigília	e _{lSB}	N.A.	kW	Com comando da temperatura interior por termóstato mecânico			não
				Com comando eletrónico da temperatura interior			sim
				Com comando eletrónico da temperatura interior e temporizador diário			não
				Com comando eletrónico da temperatura interior e temporizador semanal			não

				Outras opções de comando (seleção múltipla possível)			
				Comando da temperatura interior, com detecção de presença	não		
				Comando da temperatura interior com detecção de janelas abertas	não		
				Com opção de comando à distância	não		
				Com comando de arranque adaptativo	não		
				Com limitação do tempo de funcionamento	não		
				Com sensor de corpo negro	não		
Requisito de energia da chama-piloto permanente							
Requisito de energia da chama-piloto permanente (se aplicável)	P_{pilot}	0	kW				
Elementos de contacto	Velleman NV Legen Heirweg, 33 9890 Gavere, Bélgica						
(*) NO_x = óxidos de azoto							

FT130C

potência	30 kW
temperatura.....	10236 BTU/h
capacidade do tanque de combustível	38 L
superfície de aquecimento	320-420 m ²
consumo de combustível.....	2.80 L/h
corrente de ar	720 m ³ /h
dimensões	880 x 456 x 590 mm
peso.....	21 kg

Requisitos de informação para aquecedores de ambiente local e combustível gasoso/líquido

Identificador(es) de modelo: FT130C							
Funcionalidade de aquecimento indireto: não							
Potência calorífica direta: 30 (kW)							
Potência calorífica indireta: N.A. (kW)							
Combustível				Emissões resultantes do aquecimento ambiente (*)			
				NO _x			
Selecionar o tipo de combustível		líquido		queroseno		69 [mg/kWh _{input}] (GCV)	
Elemento	Símbolo	Valor	Unidade	Elemento	Símbolo	Valor	Unidade
Temperatura				Eficiência útil (NCV)			
Potência calorífica nominal	P_{nom}	30.0	kW	Eficiência útil à potência calorífica nominal	$\eta_{th,nom}$	100	%
Potência calorífica mínima (indicativa)	P_{min}	N.A.	kW	Eficiência útil à potência calorífica mínima (indicativa)	$\eta_{th,min}$	N.A.	%

Consumo de eletricidade auxiliar				Tipo de potência calorífica/ comando da temperatura interior (selecionar uma opção)	
À potência calorífica nominal	$e_{l_{max}}$	0.002	kW	Potência calorífica numa fase única, sem comando da temperatura interior	não
À potência calorífica mínima	$e_{l_{min}}$	N.A.	kW	Em duas ou mais fases manuais, sem comando da temperatura interior	não
Em estado de vigília	$e_{l_{SB}}$	N.A.	kW	Com comando da temperatura interior por termóstato mecânico	não
				Com comando eletrónico da temperatura interior	sim
				Com comando eletrónico da temperatura interior e temporizador diário	não
				Com comando eletrónico da temperatura interior e temporizador semanal	não
Outras opções de comando (seleção múltipla possível)					
				Comando da temperatura interior, com deteção de presença	não
				Comando da temperatura interior com deteção de janelas abertas	não
				Com opção de comando à distância	não
				Com comando de arranque adaptativo	não
				Com limitação do tempo de funcionamento	não
				Com sensor de corpo negro	não
Requisito de energia da chama-piloto permanente					
Requisito de energia da chama-piloto permanente (se aplicável)	P_{pilot}	0	kW		
Elementos de contacto	Velleman NV Legen Heirweg, 33 9890 Gavere, Bélgica				
(*) NO _x = óxidos de azoto					

Utilize este aparelho apenas com acessórios originais. A Velleman NV não será responsável por quaisquer danos ou lesões causados pelo uso (indevido) do aparelho. Para mais informação sobre este produto e para aceder à versão mais recente deste manual do utilizador, visite a nossa página www.velleman.eu. Podem alterar-se as especificações e o conteúdo deste manual sem aviso prévio.

© DIREITOS DE AUTOR

A Velleman NV detém os direitos de autor deste manual do utilizador. Todos os direitos mundiais reservados. É estritamente proibido reproduzir, traduzir, copiar, editar e gravar este manual do utilizador ou partes deste sem prévia autorização escrita por parte da detentora dos direitos.

EN**Velleman® Service and Quality Warranty**

Since its foundation in 1972, Velleman® acquired extensive experience in the electronics world and currently distributes its products in over 85 countries.

All our products fulfil strict quality requirements and legal stipulations in the EU. In order to ensure the quality, our products regularly go through an extra quality check, both by an internal quality department and by specialized external organisations. If, all precautionary measures notwithstanding, problems should occur, please make appeal to our warranty (see guarantee conditions).

General Warranty Conditions Concerning Consumer Products (for EU):

- All consumer products are subject to a 24-month warranty on production flaws and defective material as from the original date of purchase.
- Velleman® can decide to replace an article with an equivalent article, or to refund the retail value totally or partially when the complaint is valid and a free repair or replacement of the article is impossible, or if the expenses are out of proportion.

You will be delivered a replacing article or a refund at the value of 100% of the purchase price in case of a flaw occurred in the first year after the date of purchase and delivery, or a replacing article at 50% of the purchase price or a refund at the value of 50% of the retail value in case of a flaw occurred in the second year after the date of purchase and delivery.

• Not covered by warranty:

- all direct or indirect damage caused after delivery to the article (e.g. by oxidation, shocks, falls, dust, dirt, humidity...), and by the article, as well as its contents (e.g. data loss), compensation for loss of profits;
- consumable goods, parts or accessories that are subject to an aging process during normal use, such as batteries (rechargeable, non-rechargeable, built-in or replaceable), lamps, rubber parts, drive belts... (unlimited list);
- flaws resulting from fire, water damage, lightning, accident, natural disaster, etc....;
- flaws caused deliberately, negligently or resulting from improper handling, negligent maintenance, abusive use or use contrary to the manufacturer's instructions;
- damage caused by a commercial, professional or collective use of the article (the warranty validity will be reduced to six (6) months when the article is used professionally);
- damage resulting from an inappropriate packing and shipping of the article;
- all damage caused by modification, repair or alteration performed by a third party without written permission by Velleman®.
- Articles to be repaired must be delivered to your Velleman® dealer, solidly packed (preferably in the original packaging), and be completed with the original receipt of purchase and a clear flaw description.
- Hint: In order to save on cost and time, please reread the manual and check if the flaw is caused by obvious causes prior to presenting the article for repair. Note that returning a non-defective article can also involve handling costs.
- Repairs occurring after warranty expiration are subject to shipping costs.
- The above conditions are without prejudice to all commercial warranties.

The above enumeration is subject to modification according to the article (see article's manual).

NL**Velleman® service- en kwaliteitsgarantie**

Velleman® heeft sinds zijn oprichting in 1972 een ruime ervaring opgebouwd in de elektronica wereld en verdeelt op dit moment producten in meer dan 85 landen. Al onze producten beantwoorden aan strikte kwaliteitseisen en aan de wettelijke bepalingen geldig in de EU. Om de kwaliteit te waarborgen, ondergaan onze producten op regelmatige tijdstippen een extra kwaliteitscontrole, zowel door onze eigen kwaliteitsafdeling als door externe gespecialiseerde organisaties. Mocht er ondanks deze voorzorgen toch een probleem optreden, dan kunt u steeds een beroep doen op onze waarborg (zie waarborgvoorwaarden).

Algemene waarborgvoorwaarden consumentengoederen (voor Europese Unie):

- Op alle consumentengoederen geldt een garantieperiode van 24 maanden op productie- en materiaalfouten en dit vanaf de oorspronkelijke aankoopdatum.
- Indien de klacht gegrond is en een gratis reparatie of vervanging van een artikel onmogelijk is of indien de kosten hiervoor buiten verhouding zijn, kan Velleman® beslissen het desbetreffende artikel te vervangen door een gelijkwaardig artikel of de aankoopsom van het artikel gedeeltelijk of volledig terug te betalen. In dat geval krijgt u een vervangend product of terugbetaling ter waarde van 100% van de aankoopsom bij ontdekking van een gebrek tot één jaar na aankoop en levering, of een vervangend product tegen 50% van de kostprijs of terugbetaling van 50 % bij ontdekking na één jaar tot 2 jaar.

• Valt niet onder waarborg:

- alle rechtstreekse of onrechtstreekse schade na de levering veroorzaakt aan het toestel (bv. door oxidatie, schokken, val, stof, vuil, vocht...), en door het toestel, alsook zijn inhoud (bv. verlies van data), vergoeding voor eventuele winstderving.
- verbruiksgoederen, onderdelen of hulpstukken die onderhevig zijn aan veroudering door normaal gebruik zoals bv. batterijen (zowel oplaadbare als niet-oplaadbare, gebouwd of vervangbaar), lampen, rubberen onderdelen, aandrijfriemen... (onbepaalde lijst).
- defecten ten gevolge van brand, waterschade, bliksem, ongevallen, natuurrampen, enz.
- defecten veroorzaakt door opzet, nalatigheid of door een onoordeelkundige behandeling, slecht onderhoud of abnormaal

gebruik of gebruik van het toestel strijdig met de voorschriften van de fabrikant.

- schade ten gevolge van een commercieel, professioneel of collectief gebruik van het apparaat (bij professioneel gebruik wordt de garantieperiode herleid tot 6 maanden).
 - schade veroorzaakt door onvoldoende bescherming bij transport van het apparaat.
 - alle schade door wijzigingen, reparaties of modificaties uitgevoerd door derden zonder toestemming van Velleman®.
 - Toestellen dienen ter reparatie aangeboden te worden bij uw Velleman®-verdelers. Het toestel dient verzegeld te zijn van het oorspronkelijke aankoopbewijs. Zorg voor een degelijke verpakking (bij voorkeur de originele verpakking) en voeg een duidelijke foutomschrijving bij.
 - Tip: alvorens het toestel voor reparatie aan te bieden, kijk nog eens na of er geen voor de hand liggende reden is waarom het toestel niet naar behoren werkt (zie handleiding). Op deze wijze kunt u kosten en tijd besparen. Denk eraan dat er ook voor niet-defecte toestellen een kost voor controle aangerekend kan worden.
 - Bij reparaties buiten de waarborgperiode zullen transportkosten aangerekend worden.
 - Elke commerciële garantie laat deze rechten onverminderd.
- Bovenstaande opsomming kan eventueel aangepast worden naargelang de aard van het product (zie handleiding van het betreffende product).**

FR**Garantie de service et de qualité Velleman®**

Depuis 1972, Velleman® a gagné une vaste expérience dans le secteur de l'électronique et est actuellement distributeur dans plus de 85 pays.

Tous nos produits répondent à des exigences de qualité rigoureuses et à des dispositions légales en vigueur dans l'UE. Afin de garantir la qualité, nous soumettons régulièrement nos produits à des contrôles de qualité supplémentaires, tant par notre propre service qualité que par un service qualité externe. Dans le cas improbable d'un défaut malgré toutes les précautions, il est possible d'invoquer notre garantie (voir les conditions de garantie).

Conditions générales concernant la garantie sur les produits grand public (pour l'UE) :

- tout produit grand public est garanti 24 mois contre tout vice de production ou de matériaux à dater du jour d'acquisition effective ;
- si la plainte est justifiée et que la réparation ou le remplacement d'un article est jugé impossible, ou lorsque les coûts s'avèrent disproportionnés, Velleman® s'autorise à remplacer ledit article par un article équivalent ou à rembourser la totalité ou une partie du prix d'achat. Le cas échéant, il vous sera consenti un article de remplacement ou le remboursement complet du prix d'achat lors d'un défaut dans un délai de 1 an après l'achat et la livraison, ou un article de remplacement moyennant 50% du prix d'achat ou le remboursement de 50% du prix d'achat lors d'un défaut après 1 à 2 ans.

• sont par conséquent exclus :

- tout dommage direct ou indirect survenu à l'article après livraison (p.ex. dommage lié à l'oxydation, choc, chute, poussière, sable, impureté...) et provoqué par l'appareil, ainsi que son contenu (p.ex. perte de données) et une indemnisation éventuelle pour perte de revenus ;
- toute pièce ou accessoire nécessitant un remplacement causé par un usage normal comme p.ex. piles (rechargeables comme non rechargeables, intégrées ou remplaçables), ampoules, pièces en caoutchouc, courroies... (liste illimitée) ;
- tout dommage qui résulte d'un incendie, de la foudre, d'un accident, d'une catastrophe naturelle, etc. ;
- out dommage provoqué par une négligence, volontaire ou non, une utilisation ou un entretien incorrect, ou une utilisation de l'appareil contraire aux prescriptions du fabricant ;
- tout dommage à cause d'une utilisation commerciale, professionnelle ou collective de l'appareil (la période de garantie sera réduite à 6 mois lors d'une utilisation professionnelle) ;
- tout dommage à l'appareil qui résulte d'une utilisation incorrecte ou différente que celle pour laquelle il a été initialement prévu comme décrit dans la notice ;
- tout dommage engendré par un retour de l'appareil emballé dans un conditionnement non ou insuffisamment protégé.
- toute réparation ou modification effectuée par une tierce personne sans l'autorisation explicite de SA Velleman® ; - frais de transport de et vers Velleman® si l'appareil n'est plus couvert sous la garantie.
- toute réparation sera fournie par l'endroit de l'achat. L'appareil doit nécessairement être accompagné du bon d'achat d'origine et être dûment conditionné (de préférence dans l'emballage d'origine avec mention du défaut) ;
- tuyau : il est conseillé de consulter la notice et de contrôler câbles, piles, etc. avant de retourner l'appareil. Un appareil retourné jugé défectueux qui s'avère en bon état de marche pourra faire l'objet d'une note de frais à charge du consommateur ;
- une réparation effectuée en-dehors de la période de garantie fera l'objet de frais de transport ;
- toute garantie commerciale ne porte pas atteinte aux conditions susmentionnées.

La liste susmentionnée peut être sujette à une complémentarité selon le type de l'article et être mentionnée dans la notice d'emploi.

ES**Garantía de servicio y calidad Velleman®**

Desde su fundación en 1972 Velleman® ha adquirido una amplia experiencia como distribuidor en el sector de la electrónica en más de 85 países. Todos nuestros productos responden a normas de calidad rigurosas y disposiciones legales vigentes en la UE. Para garantizar la calidad, sometemos nuestros productos regularmente a controles de calidad adicionales, tanto a través de nuestro propio servicio de calidad como de un servicio de calidad externo. En el caso

improbable de que surgieran problemas a pesar de todas las precauciones, es posible recurrir a nuestra garantía (véase las condiciones de garantía).

Condiciones generales referentes a la garantía sobre productos de venta al público (para la Unión Europea):

- Todos los productos de venta al público tienen un período de garantía de 24 meses contra errores de producción o errores en materiales desde la adquisición original;
- Si la queja está fundada y si la reparación o sustitución de un artículo no es posible, o si los gastos son desproporcionados, Velleman® autoriza reemplazar el artículo por un artículo equivalente o reembolsar la totalidad o una parte del precio de compra. En este caso, usted recibirá un artículo de recambio o el reembolso completo del precio de compra si encuentra algún fallo hasta un año después de la compra y entrega, o un artículo de recambio al 50% del precio de compra o el reembolso del 50% del precio de compra si encuentra un fallo después de 1 año y hasta los 2 años después de la compra y entrega.

Por consiguiente, están excluidos entre otras cosas:

- todos los daños causados directa o indirectamente al aparato (p.ej. por oxidación, choques, caída,...) y a su contenido (p.ej. pérdida de datos) después de la entrega y causados por el aparato, y cualquier indemnización por posible pérdida de ganancias;
- partes o accesorios, que estén expuestos al desgaste causado por un uso normal, como por ejemplo baterías (tanto recargables como no recargables, incorporadas o reemplazables), bombillas, partes de goma, etc. (lista ilimitada);
- defectos causados por un incendio, daños causados por el agua, rayos, accidentes, catástrofes naturales, etc.;
- defectos causados a conciencia, descuido o por malos tratos, un mantenimiento inapropiado o un uso anormal del aparato contrario a las instrucciones del fabricante;
- daños causados por un uso comercial, profesional o colectivo del aparato (el período de garantía se reducirá a 6 meses con uso profesional);
- daños causados por un uso incorrecto o un uso ajeno al que está previsto el producto inicialmente como está descrito en el manual del usuario;
- daños causados por una protección insuficiente al transportar el aparato.
- daños causados por reparaciones o modificaciones efectuadas por una tercera persona sin la autorización explícita de Velleman®;
- se calcula gastos de transporte de y a Velleman® si el aparato ya no está cubierto por la garantía.
- Cualquier artículo que tenga que ser reparado tendrá que ser devuelto a su distribuidor Velleman®. Devuelva el aparato con la factura de compra original y transportélo en un embalaje sólido (preferentemente el embalaje original). Incluya también una buena descripción del fallo;
- Consejo: Lea el manual del usuario y controle los cables, las pilas, etc. antes de devolver el aparato. Si no se encuentra un defecto en el artículo los gastos podrían correr a cargo del cliente;
- Los gastos de transporte correrán a cargo del cliente para una reparación efectuada fuera del período de garantía.
- Cualquier gesto comercial no disminuye estos derechos.

La lista previamente mencionada puede ser adaptada según el tipo de artículo (véase el manual del usuario del artículo en cuestión).



Velleman® Service- und Qualitätsgarantie

Seit der Gründung in 1972 hat Velleman® sehr viel Erfahrung als Verteiler in der Elektronikwelt in über 85 Ländern aufgebaut. Alle Produkte entsprechen den strengen Qualitätsforderungen und gesetzlichen Anforderungen in der EU. Um die Qualität zu gewährleisten werden unsere Produkte regelmäßig einer zusätzlichen Qualitätskontrolle unterworfen, sowohl von unserer eigenen Qualitätsabteilung als auch von externen spezialisierten Organisationen. Sollten, trotz aller Vorsichtsmaßnahmen, Probleme auftreten, nehmen Sie bitte die Garantie in Anspruch (siehe Garantiebedingungen).

Allgemeine Garantiebedingungen in Bezug auf Konsumgüter (für die Europäische Union):

- Alle Produkte haben für Material- oder Herstellungsfehler eine Garantieperiode von 24 Monaten ab Verkaufsdatum.
- Wenn die Klage berechtigt ist und falls eine kostenlose Reparatur oder ein Austausch des Gerätes unmöglich ist, oder wenn die Kosten dafür unverhältnismäßig sind, kann Velleman® sich darüber entscheiden, dieses Produkt durch ein gleiches Produkt zu ersetzen oder die Kaufsumme ganz oder teilweise zurückzuzahlen. In diesem Fall erhalten Sie ein Ersatzprodukt oder eine Rückzahlung im Werte von 100% der Kaufsumme im Falle eines Defektes bis zu 1 Jahr nach Kauf oder Lieferung, oder Sie bekommen ein Ersatzprodukt im Werte von 50% der Kaufsumme oder eine Rückzahlung im Werte von 50 % im Falle eines Defektes im zweiten Jahr.
- **Von der Garantie ausgeschlossen sind:**
 - alle direkten oder indirekten Schäden, die nach Lieferung am Gerät und durch das Gerät verursacht werden (z.B. Oxidation, Stöße, Fall, Staub, Schmutz, Feuchtigkeit, ...), sowie auch der Inhalt (z.B. Datenverlust), Entschädigung für eventuellen Gewinnausfall.
 - Verbrauchsgüter, Teile oder Zubehörteile, die durch normalen Gebrauch dem Verschleiß ausgesetzt sind, wie z.B. Batterien (nicht nur aufladbare, sondern auch nicht aufladbare, eingebaute oder ersatzbare), Lampen, Gummiteile, Treibriemen, usw. (unbeschränkte Liste).
 - Schäden verursacht durch Brandschaden, Wasserschaden, Blitz, Unfälle, Naturkatastrophen, usw.
 - Schäden verursacht durch absichtliche, nachlässige oder unsachgemäße Anwendung, schlechte Wartung, zweckfremdete Anwendung oder Nichtbeachtung von Benutzerhinweisen in der Bedienungsanleitung.

- Schäden infolge einer kommerziellen, professionellen oder kollektiven Anwendung des Gerätes (bei gewerblicher Anwendung wird die Garantieperiode auf 6 Monate zurückgeführt).

- Schäden verursacht durch eine unsachgemäße Verpackung und unsachgemäßen Transport des Gerätes.
- alle Schäden verursacht durch unautorisierte Änderungen, Reparaturen oder Modifikationen, die von einem Dritten ohne Erlaubnis von Velleman® vorgenommen werden.
- Im Fall einer Reparatur, wenden Sie sich an Ihren Velleman®-Verteiler. Legen Sie das Produkt ordnungsgemäß verpackt (vorzugsweise die Originalverpackung) und mit dem Original-Kaufbeleg vor. Fügen Sie eine deutliche Fehlerbeschreibung hinzu.
- Hinweis: Um Kosten und Zeit zu sparen, lesen Sie die Bedienungsanleitung nochmals und überprüfen Sie, ob es keinen auf der Hand liegenden Grund gibt, ehe Sie das Gerät zur Reparatur zurückschicken. Stellt sich bei der Überprüfung des Gerätes heraus, dass kein Geräteschaden vorliegt, könnte dem Kunden eine Untersuchungspauschale berechnet.
- Für Reparaturen nach Ablauf der Garantiefrist werden Transportkosten berechnet.
- Jede kommerzielle Garantie lässt diese Rechte unberührt.

Die oben stehende Aufzählung kann eventuell angepasst werden gemäß der Art des Produktes (siehe Bedienungsanleitung des Gerätes).



Garantia de serviço e de qualidade Velleman®

Desde a sua fundação em 1972 Velleman® tem adquirido uma ampla experiência no sector da eletrónica com uma distribuição em mais de 85 países.

Todos os nossos produtos respondem a exigências rigorosas e a disposições legais em vigor na UE. Para garantir a qualidade, submetemos regularmente os nossos produtos a controlos de qualidade suplementares, com o nosso próprio serviço qualidade como um serviço de qualidade externo. No caso improvável de um defeito mesmo com as nossas precauções, é possível invocar a nossa garantia. (ver as condições de garantia).

Condições gerais com respeito a garantia sobre os produtos grande público (para a UE):

- qualquer produto grande público é garantido 24 mês contra qualquer vício de produção ou materiais a partir da data de aquisição efectiva;
- no caso da reclamação ser justificada e que a reparação ou substituição de um artigo é impossível, ou quando os custos são desproporcionados, Velleman® autoriza-se a substituir o dito artigo por um artigo equivalente ou a devolver a totalidade ou parte do preço de compra. Em outro caso, será consentido um artigo de substituição ou devolução completa do preço de compra no caso de um defeito no prazo de 1 ano depois da data de compra e entrega, ou um artigo de substituição pagando o valor de 50% do preço de compra ou devolução de 50% do preço de compra para defeitos depois de 1 a 2 anos.

• estão por consequência excluídos:

- todos os danos directos ou indirectos depois da entrega do artigo (p.ex. danos ligados a oxidação, choques, quedas, poeiras, areias, impurezas...) e provocado pelo aparelho, como o seu conteúdo (p.ex. perda de dados) e uma indemnização eventual por perda de receitas;
- consumíveis, peças ou acessórios sujeitos a desgaste causado por um uso normal, como p.ex. pilhas (recarregáveis, não recarregáveis, incorporadas ou substituíveis), lâmpadas, peças em borracha correias... (lista ilimitada);
- todos os danos que resultem de um incêndio, raios, de um acidente, de uma catastrophe natural, etc.;
- danos provocados por negligência, voluntária ou não, uma utilização ou manutenção incorrecta, ou uma utilização do aparelho contrária as prescrições do fabricante;
- todos os danos por causa de uma utilização comercial, profissional ou colectiva do aparelho (o período de garantia será reduzido a 6 meses para uma utilização profissional);
- todos os danos no aparelho resultando de uma utilização incorrecta ou diferente daquela inicialmente prevista e descrita no manual de utilização;
- todos os danos depois de uma devolução não embalada ou mal protegida ao nível do acondicionamento.
- todas as reparações ou modificações efectuadas por terceiros sem a autorização de SA Velleman®;
- despesas de transporte de e para Velleman® se o aparelho não estiver coberto pela garantia.
- qualquer reparação será fornecida pelo local de compra. O aparelho será obrigatoriamente acompanhado do talão ou factura de origem e bem acondicionado (de preferência dentro da embalagem de origem com indicação do defeito ou avaria);
- dica: aconselha-mos a consulta do manual e controlar cabos, pilhas, etc. antes de devolver o aparelho. Um aparelho devolvido que estiver em bom estado será cobrado despesas a cargo do consumidor;
- uma reparação efectuada fora da garantia, será cobrado despesas de transporte;
- qualquer garantia comercial não prevalece as condições aqui mencionadas.

A lista pode ser sujeita a um complemento conforme o tipo de artigo e estar mencionada no manual de utilização.



Velleman® usługi i gwarancja jakości

Od czasu założenia w 1972, Velleman® zdobył bogate doświadczenie w dziedzinie światowej elektroniki. Obecnie firma dystrybuuje swoje produkty w ponad 85 krajach.

Wszystkie nasze produkty spełniają surowe wymagania jakościowe oraz wypełniają normy i dyrektywy obowiązujące w krajach UE. W celu zapewnienia najwyższej jakości naszych produktów, przechodzą one regularne oraz dodatkowo wyrwykowe badania kontroli jakości, zarówno naszego wewnętrznego działu jakości jak również

wyspecjalizowanych firm zewnętrznych. Pomimo dołożenia wszelkich starań czasem mogą pojawić się problemy techniczne, prosimy odwołać się do gwarancji (patrz warunki gwarancji).

Ogólne Warunki dotyczące gwarancji:

- Wszystkie produkty konsumenckie podlegają 24-miesięcznej gwarancji na wady produkcyjne i materiałowe od daty zakupu.
- W przypadku, gdy usterka jest niemożliwa do usunięcia lub koszt usunięcia jest nadmiernie wysoki Velleman ® może zdecydować o wymianie artykułu na nowy, wolny od wad lub zwrócić zapłaconą kwotę. Zwrot gotówki może jednak nastąpić z uwzględnieniem poniższych warunków:
 - zwrot 100% ceny zakupu w przypadku, gdy wada wystąpiła w ciągu pierwszego roku od daty zakupu i dostawy
 - wymiana wadliwego artykułu na nowy, wolny od wad z odpłatnością 50% ceny detalicznej lub zwrot 50% kwoty ceny nabycia w przypadku gdy wada wystąpiła w drugim roku od daty zakupu i dostawy.
- **Produkt nie podlega naprawie gwarancyjnej:**
 - gdy wszystkie bezpośrednie lub pośrednie szkody spowodowane są działaniem czynników środowiskowych lub losowych (np. przez utlenianie, wstrząsy, upadki, kurz, brud, ...), wilgotności;
 - gwarant nie ponosi odpowiedzialności za szkody wynikających z utraty danych;
 - produkty konsumenckie, części zamienne lub akcesoria podatne na process starzenia, wynikającego z normalnego użytkowania, np: baterie (ładowalne, nieładowalne, wbudowane lub wymienne), żarówki, paski napędowe, gumowe elementy napędowe... (nieograniczona lista);
 - usterka wynika z działania pożaru, zalania wszelkimi cieczami, uderzenia pioruna, upadku lub klęski żywiołowej, itp.;
 - usterka wynika z zaniedbań eksploatacyjnych tj. umyślnie bądź nieumyślnie zaniechanie czyszczenia, konserwacji, wymiany materiałów eksploatacyjnych, niedbalstwa lub z niewłaściwego obchodzenia się lub niezgodnego użytkowania z instrukcją producenta;
 - szkody wynikające z nadmiernego użytkowania gdy nie jest do tego celu przeznaczony tj. działalność komercyjna, zawodowa lub wspólne użytkowanie przez wiele osób - okres obowiązywania gwarancji zostanie obniżony do 6 (sześć) miesięcy;
 - Szkody wynikające ze źle zabezpieczonej wysyłki produktu;
 - Wszelkie szkody spowodowane przez nieautoryzowaną naprawę, modyfikację, przeróbkę produktu przez osoby trzecie jak również bez pisemnej zgody firmy Velleman ®.
- Uszkodzony produkt musi zostać dostarczony do sprzedawcy ® Velleman, solidnie zapakowany (najlepiej w oryginalnym opakowaniu), wraz z wyposażeniem z jakim produkt został sprzedany. W przypadku wysyłki towaru w opakowaniu innym niż oryginalnym ryzyko usterki produktu oraz tego skutki przechodzą na właściciela produktu. Wraz z niesprawnym produktem należy dołączyć jasny i szczegółowy opis jego usterki, wady;
- Wskazówka: Aby zaoszczędzić na kosztach i czasie, proszę szczegółowo zapoznać się z instrukcją obsługi; czy przyczyną wady są okoliczności techniczne czy też wynikają wyłącznie z nieznanomości obsługi produktu. W przypadku wysyłki sprawnego produktu do serwisu nabywca może zostać obciążony kosztami obsługi oraz transportu.
- W przypadku napraw pogwarancyjnych lub odpłatnych klient ponosi dodatkowo koszt wysyłki produktu do i z serwisu. wymienione wyżej warunki są bez uszczerbku dla wszystkich komercyjnych gwarancji.

Powyższe postanowienia mogą podlegać modyfikacji w zależności od wyrobu (patrz art obsługi).
