

Double lifting computer table universal installation diagram

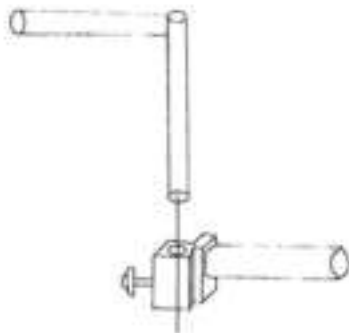
Please read the installation instructions before using



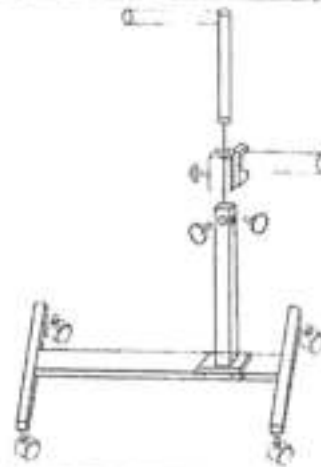
Step 1: Link the column and the I-shaped steel pipe with two 65CM long screws and nuts



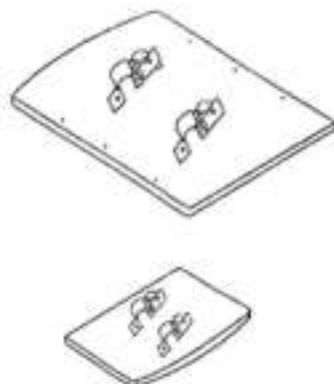
Step 2: Fix the four universal wheels to the I-beam and install the two wheels with brakes on the same side.



Step 3: Link the L-shaped steel pipe and the small steel pipe together with a handle



Step 4: Link step two and step three to fix with two handles



Step 5: Fix 4 QQ brackets to the table



Fix the QQ bracket with the shortest small screws to avoid twisting the table with the wrong



Step 6: Put the desktop finished in step 5 on the steel pipe in step four, and tighten the QQ bracket to use.