

audizio

Modena Portable DAB+ Radio with Battery
Ref: 102.400,102.402



INSTRUCTION MANUAL
GEBRUIKSAANWIJZING
BEDIENUNGSANLEITUNG
MANUAL DE INSTRUCCIONES
MANUEL D'INSTRUCTIONS

INDEX

ENGLISH	3
UNPACKING INSTRUCTION.....	4
POWERSUPPLY	4
CONTROL	4
CHARGING BATTERY	5
GETTING STARTED.....	5
HOW TO USE	6
USING RADIO PRESETS.....	7
USING THE AUXILIARY INPUT	7
BT PLAYBACK	7
MAIN MENU OF DAB MODE.....	7
MAIN MENU OF FM MODE	9
Q & A.....	9
NEDERLANDS	10
UITPAKKEN	11
AANSLUITSPANNING	11
BEDIENING	11
OPLADEN VAN DE BATTERIJ.....	12
AAN DE SLAG.....	12
HOE TE GEBRUIKEN.....	13
GEBRUIK VAN RADIOVOORKEURZENDERS	14
GEBRUIK VAN DE AUXINGANG	14
BT AFSPELEN	14
HOOFDMENU VAN DE DAB-MODUS	14
HOOFDMENU VAN DE FM-MODUS.....	16
VRAAG & ANTWOORD	16
DEUTSCH	17
AUSPACKEN	18
NETZANSCHLUSS	18
BEDIENUNG	18
LADEN DES AKKUS	19
ERSTE SCHRITTE	19
ANWENDUNG	20
VERWENDEN VON RADIOVOREINSTELLUNGEN	21
VERWENDUNG DES HILFSEINGANGS.....	21
BT PLAY.....	21
HAUPTMENÜ DES DAB-MODUS	21
HAUPTMENÜ DES FM-MODUS.....	23
FRAGEN UND ANTWORTEN.....	23
ESPAÑOL	25
INSTRUCCIONES DE DESEMBALAJE	26
FUENTE DE ALIMENTACIÓN.....	26
CONTROL	26
CARGANDO LA BATERÍA.....	27
EMPEZANDO.....	27
MODO DE USO	28
UTILIZAR PREAJUSTES DE RADIO	29
USANDO LA ENTRADA AUXILIAR	29
REPRODUCCIÓN BLUETOOTH	29
MENU PRINCIPAL DEL MODO DAB	29
MENU PRINCIPAL DEL MODO FM.....	31
PREGUNTAS Y RESPUESTAS	31
FRANÇAIS	32
DEBALLAGE.....	33
ALIMENTATION	33
REGLAGES	33
CHARGE BATTERIE.....	34
DEMARRAGE	34
UTILISATION	35
UTILISATION DES PRESETS RADIO.....	36
UTILISATIONn ENTREE AUXILIAIRE.....	36
LECTURE BT	36
MENU PRINCIPAL MODE DAB	36
MENU PRINCIPAL DU MODE FM.....	38
QUESTIONS/REPNSES	38
TECHNICAL SPECIFICATION / TECHNISCHE SPECIFICATIE / TECHNISCHE DATEN / SPECIFICACIONES TÉCNICAS / SPÉCIFICATIONS TECHNIQUES	39

ENGLISH

Congratulations to the purchase of this Audizio product. Please read this manual thoroughly prior to using the unit in order to benefit fully from all features.

Read the manual prior to using the unit. Follow the instructions in order not to invalidate the warranty. Take all precautions to avoid fire and/or electrical shock. Repairs must only be carried out by a qualified technician in order to avoid electrical shock. Keep the manual for future reference.

- Prior to using the unit, please ask advice from a specialist. When the unit is switched on for the first time, some smell may occur. This is normal and will disappear after a while.
- The unit contains voltage carrying parts. Therefore do NOT open the housing.
- Do not place metal objects or pour liquids into the unit. This may cause electrical shock and malfunction.
- Do not place the unit near heat sources such as radiators, etc. Do not place the unit on a vibrating surface. Do not cover the ventilation holes.
- The unit is not suitable for continuous use.
- Be careful with the mains lead and do not damage it. A faulty or damaged mains lead can cause electrical shock and malfunction.
- When unplugging the unit from a mains outlet, always pull the plug, never the lead.
- Do not plug or unplug the unit with wet hands.
- If the plug and/or the mains lead are damaged, they need to be replaced by a qualified technician.
- If the unit is damaged to such an extent that internal parts are visible, do NOT plug the unit into a mains outlet and DO NOT switch the unit on. Contact your dealer. Do NOT connect the unit to a rheostat or dimmer.
- To avoid fire and shock hazard, do not expose the unit to rain and moisture.
- All repairs should be carried out by a qualified technician only.
- Connect the unit to an earthed mains outlet (220-240Vac/50Hz) protected by a 10-16A fuse.
- During a thunderstorm or if the unit will not be used for a longer period of time, unplug it from the mains. The rule is: Unplug it from the mains when not in use.
- If the unit has not been used for a longer period of time, condensation may occur. Let the unit reach room temperature before you switch it on. Never use the unit in humid rooms or outdoors.
- To prevent accidents in companies, you must follow the applicable guide lines and follow the instructions.
- Do not repeatedly switch the fixture on and off. This shortens the life time.
- Keep the unit out of the reach of children. Do not leave the unit unattended.
- Do not use cleaning sprays to clean switches. The residues of these sprays cause deposits of dust and grease. In case of malfunction, always seek advice from a specialist.
- Do not force the controls.
- This unit is with speaker inside which can cause magnetic field. Keep this unit at least 60cm away from computer or TV.
- If this product have a built-in lead-acid rechargeable battery. Please recharge the battery every 3 months if you are not going to use the product for a long period of time. Otherwise the battery may be permanently damaged.
- If the battery is damaged please replace with same specifications battery. And dispose the damaged battery environment friendly.
- If the unit has fallen, always have it checked by a qualified technician before you switch the unit on again.
- Do not use chemicals to clean the unit. They damage the varnish. Only clean the unit with a dry cloth.
- Keep away from electronic equipment that may cause interference.
- Only use original spares for repairs, otherwise serious damage and/or dangerous radiation may occur.
- Switch the unit off prior to unplugging it from the mains and/or other equipment. Unplug all leads and cables prior to moving the unit.
- Make sure that the mains lead cannot be damaged when people walk on it. Check the mains lead before every use for damages and faults!
- The mains voltage is 220-240Vac/50Hz. Check if power outlet match. If you travel, make sure that the mains voltage of the country is suitable for this unit.
- Keep the original packing material so that you can transport the unit in safe conditions.



This mark attracts the attention of the user to high voltages that are present inside the housing and that are of sufficient magnitude to cause a shock hazard.



This mark attracts the attention of the user to important instructions that are contained in the manual and that he should read and adhere to.

The unit has been certified CE. It is prohibited to make any changes to the unit. They would invalidate the CE certificate and their guarantee!

NOTE: To make sure that the unit will function normally, it must be used in rooms with a temperature between 5°C/41°F and 35°C/95°F.



Electric products must not be put into household waste. Please bring them to a recycling centre. Ask your local authorities or your dealer about the way to proceed. The specifications are typical. The actual values can slightly change from one unit to the other. Specifications can be changed without prior notice.

Do not attempt to make any repairs yourself. This would invalid your warranty. Do not make any changes to the unit. This would also invalid your warranty. The warranty is not applicable in case of accidents or damages caused by inappropriate use or disrespect of the warnings contained in this manual. Audizio cannot be held responsible for personal injuries caused by a disrespect of the safety recommendations and warnings. This is also applicable to all damages in whatever form.

UNPACKING INSTRUCTION

CAUTION! Immediately upon receiving the product, carefully unpack the carton, check the contents to ensure that all parts are present, and have been received in good condition. Notify the shipper immediately and retain packing material for inspection if any parts appear damaged from shipping or the package itself shows signs of mishandling. Save the package and all packing materials. In the event that the product must be returned to the factory, it is important that the product be returned in the original factory box and packing.

If the device has been exposed to drastic temperature fluctuation (e.g. after transportation), do not switch it on immediately. The arising condensation water might damage your device. Leave the device switched off until it has reached room temperature.

POWERSUPPLY

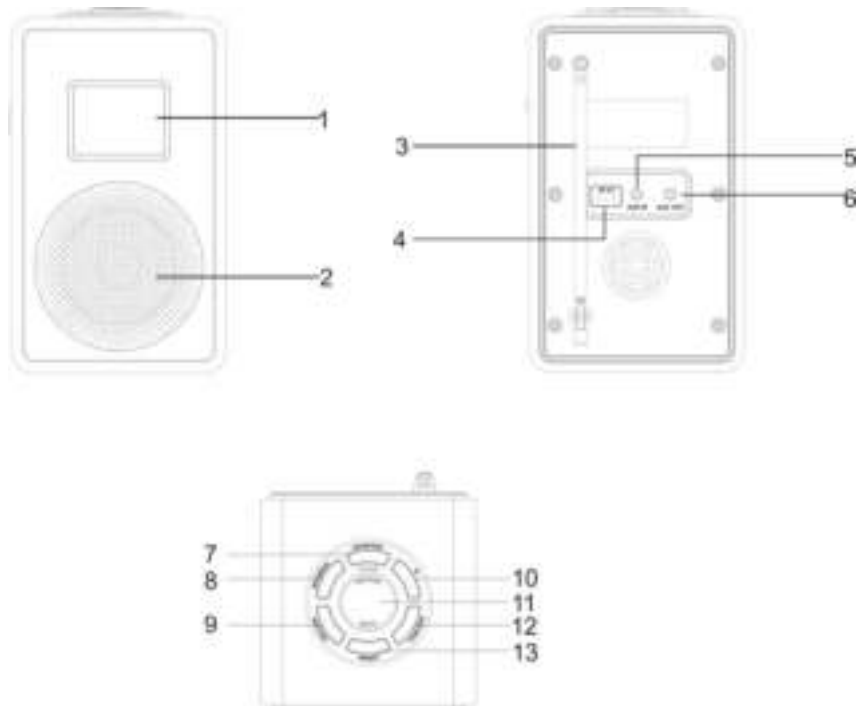
On the label on the backside of the product is indicated on this type of power supply must be connected. Check that the mains voltage corresponds to this, all other voltages than specified, the light effect can be irreparably damaged. The product must also be directly connected to the mains and may be used. No dimmer or adjustable power supply.



Always connect the device to a protected circuit (circuit breaker or fuse). Make sure the device has an appropriate electrical ground to avoid the risk of electrocution or fire.

CONTROL

1. **LCD Display**
2. **Speaker**
3. **Telescopic aerial**
4. **Type-C jack**
USB-C charging port
5. **Aux in Jack**
Line input
6. **Aux out Jack**
Line output
7. **Source/BT Button**
Push to change between FM/DAB/BT or LINE IN
8. **Info/Menu Button**
Press and hold the button to enter the settings menu, press it briefly to scroll through the information broadcast by the radio station.
9. **TUNE- button**
menu navigation back/change station/track change.
10. **Power Button**
On/off
11. **Mute/Snooze/Volume& Select/Enter Button**
Press the button to confirm /rotate to scroll through the item in the list or to adjust the radio frequencies.
12. **TUNE+ button**
menu navigation forwards/change station/track change
13. **Preset Button**
Press and hold to open the list of preset stores. Press to call up the preset list






CHARGING BATTERY

1. Connect the Type-C cable to the Type-C port .




Connect the other end of the Type-C cable to a power outlet, using a USB power adapter. You can also charge the battery by connecting DAB to a computer's USB port.

The icon  on the display shows the battery charging.

2. Press the Power  button to turn on the unit. To turn off, Press the Power  button again.

i Before you switch on for the first time, charge the battery for at least 3 hours.

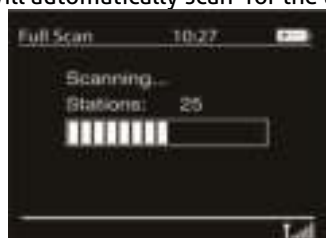


3. When the unit is using batteries, Press and hold the POWER  Button for 3 seconds or Power 'off'.

GETTING STARTED

The radio is powered by the built-in lithium battery. A USB cable is supplied in the product package for battery charging.

Press the Power  Button for Turn on the DAB Digital Radio. The first time the DAB Digital Radio is switched, it will start up DAB mode. It will automatically scan for the available radio stations.



HOW TO USE

Press the Source button to display the 'Source' menu. Turn and press the Select dial to switch between input sources.

Description	Function
DAB Radio	Listen to a digital radio station.
FM Radio	Listen to an FM radio station.
BT	Listening to a BT device.
Auxiliary Input	Listen to content from a device connected to your Aux in connection.

When listening to a digital or FM radio station, you can change the information that is displayed on the screen.

Digital radio

When listening to digital radio, press the Select dial to toggle the information displayed on screen between Scrolling text, Programme type, Ensemble, Channel / frequency, Signal strength / error, Bitrate or Date.

When listening to digital radio, you can also press and hold the Select dial to toggle the display to show the 'Now playing' screen, a full screen version of the radio station artwork and a screen that shows information about the show that is being broadcast along with the radio station artwork.

FM radio

When listening to FM radio, press the INFO button to toggle the information displayed on the screen between 'Scrolling text', 'Programme type', 'Stereo/Mono' and 'Date'.

Listening to digital or FM radio

1. Press the Source button and turn and press the Select dial to select 'DAB radio' from the Home screen.
2. screen. The first time you select DAB radio, DAB will perform an auto tune to find all available stations and will tune into one when finished.



3. Press and hold the Menu button Select to station List
4. Press the SELECT Button to change the station.



Changing FM stations

Seek tuning

1. Press the Source button and turn and press the Select dial to select 'FM radio' from the Home screen.
2. Press the Select dial to seek to the next FM radio station that has a strong signal.

Manual tuning

1. Press the Source button and turn and press the Select dial to select 'FM radio' from the Home screen.
2. Press and hold the Select button to enter manual tuning mode.
3. Turn the Select dial to step up or down 0.05 MHz.

USING RADIO PRESETS

You can store up to 40 DAB and 40 FM radio stations for quick access.

Storing a preset

1. Tune to the station you want to store as a preset.
2. Press and hold the Preset button view the preset list.
3. Turn and press the Select dial to store the radio station to one of the available preset slots.

Listening to a preset

1. Press the Preset button to display the preset list.
2. Turn and press the Select dial to select the preset that you want to listen to.



USING THE AUXILIARY INPUT

You can use the auxiliary input play any music from your phone or tablet.

Connecting an auxiliary device

Connect the line out or headphone socket of your auxiliary device to the Aux In socket using a suitable cable.

Selecting the auxiliary input

Press the Source button and turn and press the Select dial to select 'Auxiliary Input' from the Home screen. On your auxiliary device, start to play the content that you selected on your auxiliary device.

BT PLAYBACK

You can use BT to wirelessly connect to a device, such as a mobile phone or tablet. You can then stream music from your mobile phone or tablet through.

The first time you connect a BT device, you need to pair them. After you've paired a device, remembers it for the next time.

Listening to a BT device

1. Press the Source button the Select 'BT'.
2. On your BT device Audizio, switch BT on and connect.
3. Select your favorite song, tap the BT PLAY Button on your BT device or the BT PLAY Button on the Audizio to play or pause the song from your BT device.
4. If you want to pair (link) the Audizio with another BT device, press and hold the BT Pair Button a few seconds. The "connected" will flash. The Audizio will go into Pairing/Discoverable mode. Repeat steps 3 & 4

Note: For more information, see your BT device's user manual. If you are asked to enter a passcode, enter 0000.

Disconnecting a Bluetooth device

To disconnect a BT device, do one of the following:
Press Source to switch to digital radio or FM radio.
Switch off BT on the connected device.

MAIN MENU OF DAB MODE

When you listen to DAB radio station, press and hold the <INFO/MENU> to enter the main menu as follow:

Please note if there is not any operation in 30 seconds, the radio will return to last playing mode.

Note: To exit / return to the last menu level, press the <INFO/MENU> button.

Station list:

Gives you a list off all the found DAB radio stations

Full Scan

Press to scan for DAB radio stations.

Manual Tune

Press to enter the manual tune, then you can choose the frequency from 5A to 13F and perform a scan in the available frequency manually.

Prune

Some DAB services may stop broadcasting or you may not be able to receive a station. Select "yes" to delete the DAB stations from your station list that can no longer be received.

DRC

Dynamic Range Control (also known as DRC) can make quieter sounds easier to hear when your radio is used in a noisy environment. This function is only available for the DAB.

DRC Off – No compression

DRC Low – Medium compression

DRC High – Maximum compression

Setting the compression to maximum will “boost” the quiet sounds, whilst keeping the loudest sounds at their original level.

System

Theme

You can choose between 6 different themes for you radio

Sleep

This is the setting for sleep timer. The radio will turn in Standby when the time is due.

You can choose 15 minutes, 30 minutes, 45 minutes, 60 minutes and 90 minutes.

Use the <Tune/Select> knob to choose and press <Tune/Select> to confirm.

If you wish to cancel the sleep timer function, select “Off” on the menu.

Setting an alarm

1. Press the Alarm button to select 'Alarms'.
2. From the 'Alarm' menu, turn and press the Select dial to select either 'Alarm 1' or 'Alarm 2'.
3. Press Select to turn 'Alarm' to 'On'.
4. Turn and press the Select dial to change the 'Frequency'.
5. Select 'Wake Up time' by turning and pressing the Select dial, turn the dial to adjust the hours and minutes, pressing Select to confirm each section.
6. Turn and press the Select dial to select 'Source'. Turn and press the Select dial to choose between 'Buzzer', 'Digital Radio' or 'FM', then press the Select dial to confirm.
7. If you've chosen 'Digital Radio' or 'FM' radio, turn and press the Select dial to select 'Preset'. To play the station you last listened to, turn and press the Select dial to select 'Last listened' or turn and press the Select dial to choose a radio station from the preset list.
Note: Skip this step if you are setting a Tone alarm.
8. Turn and press the Select dial to select 'Duration'. Turn and press the Select to set the duration that the alarm will sound in minutes.
9. Turn and press the Select dial to select 'Volume'. Turn and press the Select the dial to set the volume of the alarm.

Snoozing a sounding alarm

To snooze a sounding alarm, press the Select dial. The display will show a countdown timer to show how long the alarm will snooze for. To adjust the amount of time the alarm will be snoozed by, press the Select dial to change the snooze duration in 5 minute intervals up to 15 minutes, and then 30 minutes. To cancel a snoozing alarm press the Power button.

Note: use the alarm features only when connected to mains power.

EQ

Here you can choose what kind of EQ you like or just make your own EQ settings.

Time/date

There are 4 settings:

1. Set Time/Date: This allows the user to manually set the current Time and Date.
2. Auto Update: This function will set the radio's time and date automatically with data sent along with the broadcast of either the FM or DAB radio station. You can choose “No Update” then the radio will not receive the time data.
3. Set 12/24 hour: This option will change the format of your clock to either 12 hour or 24 hour format.
4. Set date Format: This option will change the format of the date to DD/MM/YYYY or MM/DD/YYYY.

Note:

The FM auto Time/Date update may not work in your area, so the DAB auto update option is recommended.

Backlight

There are 3 brightness levels you can choose: High, Medium & Low.

1. **Timeout:** This option is used to set the period of time that you wish your display's backlight to remain lit when your radio is just playing without any operation is made.

The available options are: On /10sec /20sec /30sec /45sec /60sec /90sec /120 sec /180 sec.

Select "On" will force your radio's backlight to remain on constantly without dim down no matter during operation or idle. If you select a specific time interval, after the selected time period has lapsed the display will dim down.

2. **On level:** There are 3 levels to choose, High, Medium and Low. This option will determine how bright the display's backlight is lit when the radio is operating.
3. **Dim level:** The dim level can also be set to High, Medium and Low. It is to determine how bright the display's backlight when it is dim down.

Language

There are 4 languages available for the menu, English, French, German, Italian.

Factory reset

You can reset the radio to the factory default any time. Once a reset has been done, all previous settings and preset will be erased and the radio will resume to DAB mode.

SW Version

Press to see the firmware version.

MAIN MENU OF FM MODE

While the radio is in FM mode, press and hold the <INFO/MENU> button on the radio to enter the main menu.

Scan setting

There are two types of scan available. The scan is carried out according to "Strong station" or "All station". If "Strong station" is selected, it will scan only the channels with strong reception signal where the radio is placed. If "All station" is selected, it will scan out both the strong and weak channels.

Audio setting

You can choose to have "Forced Mono" or "Stereo allowed". If the signal is weak and stable stereo reception is not possible, select "Forced Mono" have better reception. When a FM station is playing, press the <TUNE/SELECT> button can access to change the audio setting.

Note: As the radio is a mono, it is suggested to use "Forced Mono" to gain a quality reception.

System

The options available are same as DAB. Please refer to the DAB section as described above.

Q & A

If you are experiencing problems with your DAB radio there are some quick and easy checks that you can do, which may help to solve the problem.

Radio not turning on/not working

- Connect the USB cable to charge the battery and try powering on the radio again.

No DAB reception

- Please carry out "Factory Reset" on the radio and adjust the length and direction of the antenna.
- Move the radio close to the window.
- Carry out Full Scan again from the Main menu (Press and hold the Info/Menu button).

Radio reception is poor

- Please adjust the length and direction of the antenna to improve reception.
- Check that you do not have other electrical equipment too close to your radio, causing interference.

No sound

- Adjust the volume level.
- Please change other radio channels and see if there is sound. It could be the reception issue or the broadcasting problem which does not have sound.

Hartelijk dank voor de aanschaf van dit Audizio product. Neemt u a.u.b. een paar momenten de tijd om deze handleiding zorgvuldig te lezen, aangezien wij graag willen dat u onze producten snel en volledig gebruikt.

Lees deze handleiding eerst door alvorens het product te gebruiken. Volg de instructies op anders zou de garantie wel eens kunnen vervallen. Neem ook altijd alle veiligheidsmaatregelen om brand en/of een elektrische schok te voorkomen. Tevens is het ook raadzaam om reparaties / modificaties e.d. over te laten aan gekwalificeerd personeel om een elektrische schok te voorkomen. Bewaar deze handleiding ook voor toekomstig gebruik.

- Bewaar de verpakking zodat u indien het apparaat defect is, dit in de originele verpakking kunt opsturen om beschadigingen te voorkomen.
- Voordat het apparaat in werking wordt gesteld, altijd eerst een deskundige raadplegen. Bij het voor de eerste keer inschakelen kan een bepaalde reuk optreden. Dit is normaal en verdwijnt na een poos.
- In het apparaat bevinden zich onder spanning staande onderdelen; open daarom NOOIT dit apparaat.
- Plaats geen metalen objecten en mors geen vloeistof in het effect. Dit kan leiden tot elektrische schokken of defecten.
- Toestel niet opstellen in de buurt van warmtebronnen zoals radiatoren etc. en niet op een vibrerende onder- grond plaatsen. Dek ventilatieopeningen nooit af.
- Het apparaat is niet geschikt voor continu gebruik.
- Wees voorzichtig met het netsnoer en beschadig deze niet. Als het snoer kapot of beschadigd is, kan dit leiden tot elektrische schokken of defecten.
- Als u de stekker uit het stopcontact neemt, trek dan niet aan het snoer, maar aan de stekker.
- Om brand of elektrische schok te voorkomen, dient u dit apparaat niet bloot te stellen aan regen of vocht.
- Verwijder of plaats een stekker nooit met natte handen resp. uit en in het stopcontact.
- Indien zowel de stekker en/of netsnoer als snoeringang in het apparaat beschadigd zijn dient dit door een vakman hersteld te worden.
- Indien het apparaat zo beschadigd is dat inwendige (onder)delen zichtbaar zijn mag de stekker NOOIT in het stopcontact worden geplaatst en het apparaat NOOIT worden ingeschakeld. Neem in dit geval contact op met de dealer.
- Sluit het apparaat nooit op een dimmer aan.
- Reparatie aan het apparaat dient te geschieden door een vakman of een deskundige.
- Sluit het apparaat alleen aan op een 220-240VAC / 50Hz (geaard) stopcontact, verbonden met een 10-16A meterkastgroep.
- Bij onweer altijd de stekker uit het stopcontact halen, zo ook wanneer het apparaat voor een langere tijd niet gebruikt wordt. Stelregel: Bij geen gebruik stekker verwijderen.
- Als u het apparaat lang niet gebruikt heeft en het weer wil gebruiken kan er condens ontstaan; laat het apparaat eerst op kamertemperatuur komen alvorens het weer in werking te stellen.
- Apparaat nooit in vochtige ruimten en buiten gebruiken.
- Om ongevallen in bedrijven te voorkomen moet rekening worden gehouden met de daarvoor geldende richtlijnen en moeten de aanwijzingen/waarschuwingen worden gevolgd.
- Het apparaat buiten bereik van kinderen houden. Bovendien mag het apparaat nooit onbeheerd gelaten worden.
- Gebruik geen schoonmaakspray om de schakelaars te reinigen. Restanten van deze spray zorgen ervoor dat smeer en stof ophopen. Raadpleeg bij storing te allen tijde een deskundige.
- Gebruik geen overmatige kracht bij het bedienen van het apparaat.
- Dit apparaat kan magnetisch veld veroorzaken. Houd dit apparaat ten minste 60 cm afstand van de computer of tv.
- Indien dit apparaat beschikt over een loodaccu, dient deze tenminste elke 3 maanden opgeladen te worden indien deze voor een langere periode niet wordt gebruikt anders bestaat de kans dat de accu permanent beschadigd.
- Bij een ongeval met dit product altijd eerst een deskundige raadplegen alvorens opnieuw te gebruiken.
- Tracht het apparaat niet schoon te maken met chemische oplossingen. Dit kan de lak beschadigen. Gebruik een droge doek om schoon te maken.
- Blijf uit de buurt van elektronische apparatuur die bromstoringen zouden kunnen veroorzaken.
- Bij reparatie dienen altijd originele onderdelen te worden gebruikt om onherstelbare beschadigingen en/of ontoelaatbare straling te voorkomen.
- Schakel eerst het toestel uit voordat u het netsnoer verwijdert. Verwijder netsnoer en aansluitsnoeren voordat u dit product gaat verplaatsen.
- Zorg ervoor dat het netsnoer niet beschadigd/defect kan raken wanneer mensen erover heen lopen. Het netsnoer vóór ieder gebruik controleren op breuken/defecten!
- In Nederland/België is de netspanning 220-240Vac/50Hz. Indien u reist (en u neemt het apparaat mee) informeer dan naar de netspanning in het land waar u verblijft.



Deze markering wordt weergegeven om u erop attent te maken dat een levensgevaarlijke spanning in het product aanwezig is en dat bij aanraking van deze delen een elektrische schok wordt verkregen.



Deze instructiemarkering wordt weergegeven om u erop te wijzen dat de instructie zeer belangrijk is om te lezen en/of op te volgen.

OPMERKING: Om zeker te zijn van een correcte werking, dient u dit apparaat in een ruimte te gebruiken waar de temperatuur tussen de 5°C/41°F en 35°C/95°F ligt.



Raadpleeg eventueel www.wecycle.nl en/of www.vrom.nl v.w.b. het afdanken van elektronische apparaten in het kader van de WEEE-regeling. Vele artikelen kunnen worden gerecycled, gooi ze daarom niet bij het huisvuil maar lever ze in bij een gemeentelijk depot of uw dealer. Lever ook afgedankte batterijen in bij uw gemeentelijk depot of bij de dealer, zie www.stibat.nl

Alle (defecte) artikelen dienen gedurende de garantieperiode altijd retour te worden gezonden in de originele verpakking. Voer zelf geen reparaties uit aan het toestel; in elk geval vervalt de totale garantie. Ook mag het toestel niet eigenmachtig worden gemodificeerd, ook in dit geval vervalt de totale garantie. Ook vervalt de garantie bij ongevallen en beschadigingen in elke vorm t.g.v. onoordeelkundig gebruik en het niet in acht nemen van het gestelde in deze gebruiksaanwijzing. Tevens aanvaardt Audizio geen enkele aansprakelijkheid in geval van persoonlijke ongelukken als gevolg van het niet naleven van veiligheidsinstructies en waarschuwingen. Dit geldt ook voor gevolgschade in welke vorm dan ook.

UITPAKKEN

LET OP! Onmiddellijk na ontvangst, zorgvuldig uitpakken van de doos, controleer de inhoud om ervoor te zorgen dat alle onderdelen aanwezig zijn en zijn in goede staat zijn ontvangen. Bij transportschade of ontbreken van onderdelen onmiddellijk de verkopende partij inlichten. Bewaar de verpakking en het verpakkingsmateriaal. Indien het product moet worden teruggestuurd, is het belangrijk dat het product in originele verpakking wordt geretourneerd.

Als het apparaat is blootgesteld aan drastische temperatuurverschillen (bv. na het transport), schakel het apparaat niet onmiddellijk in. De ontstane condensatie kan het apparaat beschadigen. Zorg ervoor dat het apparaat op kamertemperatuur komt en steek vervolgens de voeding stekker in het stopcontact/wandcontactdoos.

AANSLUITSPANNING

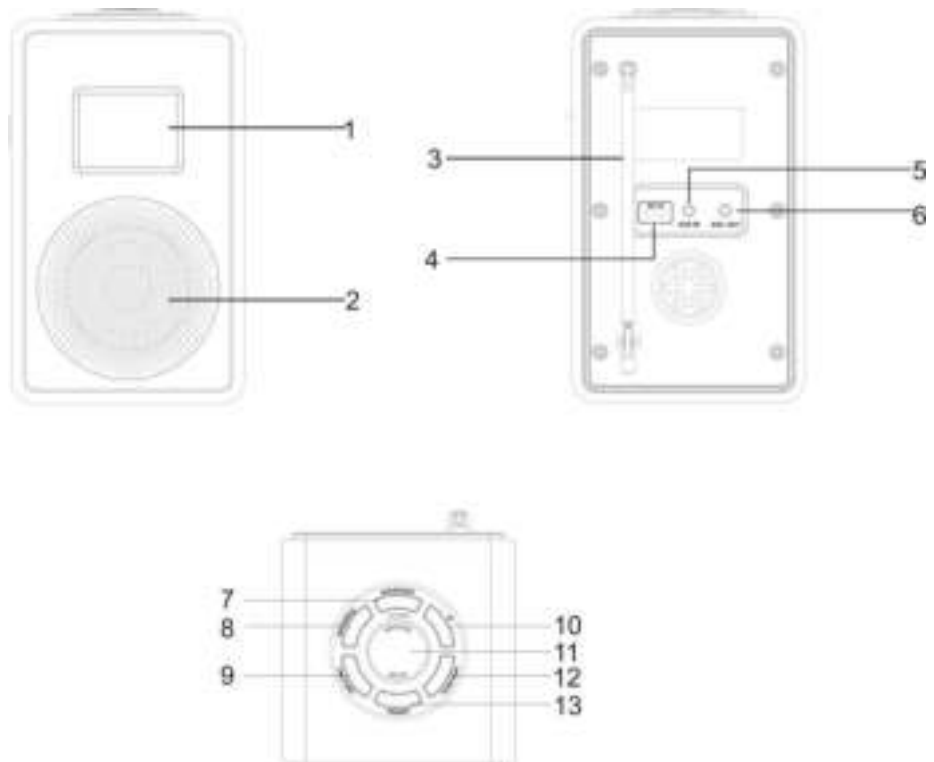
Op het label aan de achterzijde van het product staat aangegeven op welke netspanning deze moet worden aangesloten. Controleer of de netspanning hiermee overeenkomt, bij alle andere netspanningen dan aangegeven kan het apparaat onherstelbaar worden beschadigd. Tevens moet het apparaat direct op de netspanning worden aangesloten en mag géén dimmer of regelbare voeding worden gebruikt.



Sluit het apparaat altijd aan op een beschermd circuit (aardlekschakelaar of zekering). Zorg ervoor dat het apparaat voldoende elektrisch is geaard om het risico op elektrocutie of brand te vermijden.

BEDIENING

1. **LCD-beeldscherm**
2. **Luidspreker**
3. **Telescopische antenne**
4. **Type-C aansluiting**
USB-C wisselpoort
5. **Aux-ingang**
Lijningang
6. **Aux uit Jack**
Lijnuitgang
7. **Bron/BT-knop**
Indrukken om te schakelen tussen FM/DAB/BT of LINE IN
8. **Info/Menu Toets**
Houd de knop ingedrukt om het instellingenmenu te openen, druk er kort op om door de informatie te bladeren die door het radiostation wordt uitgezonden.
9. **TUNE-knop**
menu navigatie terug/van zender/track veranderen.
10. **Aan/uit-knop**
Aan/Uit
11. **Mute/Snooze/Volume & Select/Enter Knop**
Druk op de knop om te bevestigen / draaien om door het item in de lijst te bladeren of om de radiofrequenties aan te passen.
12. **TUNE+ toets**
menu-navigatie volgende/van zender/van track veranderen
13. **Preset knop**
Ingedrukt houden om de lijst met voorkeuzezenders te openen. Indrukken om de voorkeurslijst op te roepen



OPLADEN VAN DE BATTERIJ


Haal het toestel en alle accessoires voorzichtig uit de verpakking.
Controleer of u alle volgende accessoires hebt voordat u de geschenkverpakking inlevert.
Gebruikershandleiding


1. Sluit de Type-C-kabel aan op de Type-C-poort .



Sluit het andere uiteinde van de Type-C-kabel aan op een stopcontact, met behulp van een USB-voedingsadapter.
U kunt de batterij ook opladen door DAB aan te sluiten op de USB-poort van een computer.


Het pictogram  op het display geeft aan dat de batterij wordt opgeladen.

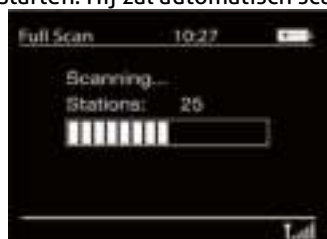
2. Druk op de  aan/uit-knop om het toestel aan te zetten. Om uit te schakelen drukt u nogmaals op de aan/uit-knop.
i Voordat u het toestel voor de eerste keer inschakelt, moet u de batterij minstens 3 uur opladen.

3. Wanneer het apparaat batterijen gebruikt, houdt u de  aan/uit-knop 3 seconden ingedrukt of schakelt u het apparaat uit.

AAN DE SLAG

De radio wordt gevoed door de ingebouwde lithium batterij. Een USB-kabel is meegeleverd in de verpakking van het product om de batterij op te laden.

Druk op de  aan/uit-knop om de DAB digitale radio aan te zetten. De eerste keer dat de DAB Digital Radio wordt wordt aangezet, zal de DAB-modus opstarten. Hij zal automatisch scannen naar de beschikbare radiozenders.



HOE TE GEBRUIKEN

Druk op Source om het 'Source' menu op te roepen. Draai en druk op de selectieknop om tussen de ingangsbronnen te schakelen.

Beschrijving	Functie
DAB Radio	Luister naar een digitale radiozender.
FM Radio	Naar een FM-radiozender luisteren.
BT	Luisteren naar een BT-apparaat
Aux-ingang	Luisteren naar inhoud van een apparaat dat op uw Aux-in aansluiting is aangesloten.

Wanneer u naar een digitale radiozender of FM-radiozender luistert, kunt u de informatie die op het scherm wordt weergegeven.

Digitale radio

Wanneer u naar digitale radio luistert, drukt u op de selectieknop om de informatie die op het scherm wordt weergegeven om te schakelen tussen Scrolling tekst, Programmatype, Ensemble, Kanaal / frequentie, Signaalsterkte / fout, Bitrate of Datum.

Wanneer u naar digitale radio luistert, kunt u ook de draaischijf Select ingedrukt houden om het display om te schakelen tussen het scherm 'Nu aan', een schermvullende versie van de illustraties van het radiostation en een scherm dat informatie toont over het programma dat wordt uitgezonden, samen met de illustraties van het radiostation.

FM-radio

Wanneer u naar FM-radio luistert, drukt u op INFO om de op het scherm getoonde informatie om te schakelen tussen 'Scrolling tekst', 'Programmatype', 'Stereo/Mono' en 'Datum'.

Luisteren naar digitale of FM-radio

1. Druk op de Source knop en draai en druk op de Selectieknop om 'DAB radio' te selecteren in het Home scherm te selecteren. De eerste keer dat u DAB-radio selecteert, zal DAB een automatische afstemming uitvoeren om alle beschikbare zenders te vinden en zal op één zender afstemmen wanneer dat klaar is.



3. Houd de menuknop ingedrukt Selecteer naar zenderlijst
4. Druk op de selectieknop om de zender te wijzigen.



FM-zenders wijzigen

Afstemmen op zoek

1. Druk op de Source knop en draai en druk op de Select dial om 'FM radio' te selecteren in het Home scherm.
2. Druk op de selectieknop om naar de volgende FM-radiozender te zoeken die een sterk signaal heeft.

Handmatig afstemmen

1. Druk op de Source knop en draai en druk op de Select dial om 'FM radio' te selecteren in het Home scherm.
2. Houd de knop Select ingedrukt om de handmatige afstemmodus te openen.
3. Draai aan de draaiknop Select om 0,05 MHz omhoog of omlaag te gaan.

GEBRUIK VAN RADIOVOORKEUZENDERS

U kunt tot 40 DAB- en 40 FM-radiozenders opslaan voor snelle toegang.

Een voorkeuzezender opslaan

1. Stem af op de zender die u wilt opslaan als voorkeuzezender.
2. Houd de knop Preset ingedrukt om de lijst met voorkeuzezenders te bekijken.
3. Draai en druk op de selectieknop om de radiozender op te slaan in een van de beschikbare voorkeuzezenders.

Luisteren naar een voorkeuzezender

1. Druk op de knop Preset om de lijst met voorkeuzezenders weer te geven.
2. Draai en druk op de selectieknop om de voorkeuzezender te selecteren waarnaar u wilt luisteren.



GEBRUIK VAN DE AUXINGANG

U kunt de aux-ingang gebruiken om muziek van uw telefoon of tablet af te spelen.

Een Aux aansluiten

Sluit de lijnuitgang of hoofdtelefoonaansluiting van uw hulpparaat met een geschikte kabel aan op de Aux In-aansluiting.

De aux-ingang selecteren

Druk op de Source-knop en draai en druk op de selectieknop om 'Auxiliary Input' te selecteren in het scherm te selecteren. Start op uw aux-apparaat de weergave van de inhoud die u op uw aux-apparaat hebt geselecteerd.

BT AF SPELEN

U kunt BT gebruiken om draadloos verbinding te maken met een apparaat, zoals een mobiele telefoon of tablet. U kunt dan muziek van uw mobiele telefoon of tablet door streamen. De eerste keer dat u een BT-apparaat verbindt, moet u ze koppelen. Nadat u een apparaat hebt gekoppeld, onthoudt het apparaat dit voor de volgende keer.

Luisteren naar een BT-apparaat

1. Druk op de knop Source de Selecteer 'BT'.
2. Op uw BT-apparaat Audizio, schakel BT in en maak verbinding.
Selecteer uw favoriete nummer, tik op de BT PLAY knop op uw BT-apparaat.
3. knop op de Audizio om het nummer van uw BT-apparaat af te spelen of te pauzeren.
Als u de Audizio aan een ander BT-apparaat wilt koppelen (koppelen), houdt u de BT Pair-knop een paar seconden ingedrukt. De "connected" zal knipperen. De Audizio zal in de koppel/ontdek modus gaan. Herhaal stappen 3 & 4

Opmerking: Voor meer informatie, zie de handleiding van uw BT apparaat. Als u om een wachtwoord wordt gevraagd, voer dan 0000 in.

De verbinding met een Bluetooth-apparaat verbreken

Om de verbinding met een BT-apparaat te verbreken, doet u een van de volgende dingen:

Druk op Source om over te schakelen naar digitale radio of FM-radio.

Schakel BT op het aangesloten apparaat uit.

HOOFDMENU VAN DE DAB-MODUS

Wanneer u naar een DAB-radiozender luistert, houdt u <INFO/MENU> ingedrukt om het hoofdmenu als volgt te openen:

Let op: als er binnen 30 seconden geen bediening plaatsvindt, keert de radio terug naar de laatst afgespeelde modus.

Opmerking: Druk op <INFO/MENU> om het menu te verlaten of terug te keren naar het laatste menuniveau.

Zenderlijst:

Geeft u een lijst van alle gevonden DAB-radiozenders

Volledig scannen

Druk hierop om te scannen naar DAB-radiozenders.

Handmatig afstemmen

Druk op deze toets om handmatig afstemmen in te schakelen, waarna u de frequentie kunt kiezen tussen 5A en 13F en handmatig kunt scannen op de beschikbare frequentie.

Prune

Het is mogelijk dat sommige DAB-diensten stoppen met uitzenden of dat u een zender niet meer kunt ontvangen. Selecteer "ja" om de DAB-zenders uit uw zenderlijst te verwijderen die niet langer kunnen worden ontvangen.

DRC

Dynamic Range Control (ook bekend als DRC) kan ervoor zorgen dat zachtere geluiden beter hoorbaar zijn wanneer uw radio wordt gebruikt in een lawaaierige omgeving. Deze functie is alleen beschikbaar voor de DAB.

DRC Uit - Geen compressie

DRC Laag - Gemiddelde compressie

DRC Hoog - Maximale compressie

Als u de compressie op maximaal zet, worden de rustige geluiden "versterkt", terwijl de hardste geluiden op hun oorspronkelijke niveau blijven.

Systeem

Thema

U kunt kiezen tussen 6 verschillende thema's voor uw radio

Slaap

Dit is de instelling voor de slaaptimer. De radio zal in Standby gaan als de tijd daar is.

U kunt kiezen uit 15 minuten, 30 minuten, 45 minuten, 60 minuten en 90 minuten.

Gebruik de knop <Tune/Select> om een keuze te maken en druk op <Tune/Select> om te bevestigen.

Als u de slaaptimerfunctie wilt annuleren, selecteert u "Uit" in het menu.

Een alarm instellen

1. Druk op de knop Alarm om 'Alarmen' te selecteren.
2. Draai en druk op de selectieknop in het menu 'Alarm' om 'Alarm 1' of 'Alarm 2' te selecteren.
3. Druk op Select om 'Alarm' op 'On' te zetten.
4. Draai en druk op de draaiknop Select om de 'Frequentie' te wijzigen.
5. Selecteer 'Wektijd' door de draaiknop Select te draaien en in te drukken, draai de draaiknop om de uren en minuten aan te passen en druk op Select om elk deel te bevestigen.
6. Draai en druk op de Select-draaiknop om 'Bron' te selecteren. Draai en druk op de Select-draaiknop om te kiezen tussen 'Zoemer', 'Digitale Radio' of 'FM', druk vervolgens op de Select dial om te bevestigen.
7. Als u hebt gekozen voor 'Digitale radio' of 'FM'-radio, draait en drukt u op de draaiknop Select om 'Preset' te selecteren. Om de laatst beluisterde zender af te spelen, draait u de draaischijf Select en drukt u deze in om 'Laatst beluisterd' te selecteren of draait u de draaischijf Select en drukt u deze in om een radiozender uit de lijst met voorkeuzezenders te kiezen.
Opmerking: Sla deze stap over als u een Toonalarm instelt.
8. Draai en druk op de draaiknop Select om 'Duur' te selecteren. Draai en druk op Select om de duur in te stellen dat het alarm zal klinken in minuten in te stellen.
9. Draai en druk op de draaiknop Select om 'Volume' te selecteren. Draai aan de draaiknop en druk op Select om het volume van het alarm in te stellen.

Een wekker die afgaat uitzetten

Om een wekker die afgaat op snooze te zetten, drukt u op de Select-draaiknop. Op het display verschijnt een afteltimer die aangeeft hoe lang de wekker zal sluimeren. Om de sluimertijd van het alarm aan te passen, drukt u op de draaiknop Select om de sluimertijd in intervallen van 5 minuten te veranderen, tot 15 minuten en vervolgens 30 minuten. Om een sluimerend alarm te annuleren drukt u op de aan/uit-knop.

Opmerking: gebruik de alarmfuncties alleen wanneer u op netvoeding bent aangesloten.

EQ

Hier kunt u kiezen wat voor EQ u wilt of gewoon uw eigen EQ-instellingen maken.

Tijd/datum

Er zijn 4 instellingen:

1. Tijd/Datum instellen: Hiermee kan de gebruiker handmatig de huidige tijd en datum instellen.
2. Auto Update: Deze functie stelt de tijd en datum van de radio automatisch in met gegevens die worden meegestuurd met de uitzending van de FM- of DAB-radiozender. U kunt kiezen voor "No Update", dan ontvangt de radio de tijdgegevens niet.
3. Stel 12/24 uur in: Deze optie zal het formaat van uw klok veranderen in 12 uur of 24 uur formaat.
4. Stel datum formaat in: Deze optie verandert het formaat van de datum in DD/MM/JJJJ of MM/DD/JJJJ.

Opmerking:

De FM automatische tijd/datum update werkt misschien niet in uw gebied, dus de DAB automatische update optie wordt aanbevolen.

Achtergrondverlichting

Er zijn 3 helderheidsniveaus die u kunt kiezen: Hoog, Medium en Laag.

1. Time-out: Deze optie wordt gebruikt om de periode in te stellen dat u wilt dat de achtergrondverlichting van uw display blijft branden wanneer uw radio gewoon speelt zonder dat er een handeling wordt uitgevoerd.

De beschikbare opties zijn: Aan /10sec /20sec /30sec /45sec /60sec /90sec /120 sec /180 sec.

Als u "Aan" selecteert, blijft de achtergrondverlichting van uw radio constant aan zonder te dimmen, ongeacht of u de radio bedient of niet. Als u een specifiek tijdsinterval selecteert, zal na het verstrijken van de geselecteerde tijdsperiode het scherm worden gedimd.

2. Aan niveau: Er zijn 3 niveaus te kiezen, Hoog, Gemiddeld en Laag. Deze optie bepaalt hoe fel de achtergrondverlichting van het display brandt als de radio in werking is.
3. Dimniveau: Het dimniveau kan ook worden ingesteld op Hoog, Gemiddeld en Laag. Hiermee bepaalt u hoe helder de achtergrondverlichting van het display brandt als het wordt gedimd.

Taal

Er zijn 4 talen beschikbaar voor het menu, Engels, Frans, Duits, Italiaans.

Fabrieksinstellingen

U kunt de radio op elk moment resetten naar de fabrieksinstellingen. Zodra een reset is uitgevoerd, worden alle eerdere instellingen en voorkeurszenders gewist en keert de radio terug naar de DAB-modus.

SW-versie

Druk hierop om de firmwareversie te zien.

HOOFDMENU VAN DE FM-MODUS

Terwijl de radio in FM-modus is, houdt u de <INFO/MENU> toets op de radio ingedrukt om het hoofdmenu te openen.

Scannen instellen

Er zijn twee soorten scans beschikbaar. De scan wordt uitgevoerd op basis van "Sterke zender" of "Alle zenders". Als "Sterke zender" is geselecteerd, worden alleen de kanalen met een sterk ontvangstsignaal gescand op de plaats waar de radio staat. Als u "Alle zenders" selecteert, worden zowel de sterke als de zwakke kanalen gescand.

Audio-instelling

U kunt kiezen tussen "Geforceerd Mono" of "Stereo toegestaan". Als het signaal zwak is en stabiele stereo-ontvangst niet mogelijk is, selecteert u "Forced Mono" voor een betere ontvangst. Wanneer een FM-zender speelt, kunt u door op de <TUNE/SELECT> toets te drukken de audio-instelling wijzigen. Als het verschijnt met , betekent dit dat het stereo is. Om Mono te selecteren, drukt u nogmaals op <TUNE/SELECT>. Het icoontje verdwijnt en het betekent dat Mono is geselecteerd.

Opmerking: Aangezien de radio in mono is, is het raadzaam "Forced Mono" te gebruiken om een goede ontvangst te krijgen.

Systeem

De beschikbare opties zijn dezelfde als voor DAB. Raadpleeg het DAB-gedeelte zoals hierboven beschreven.

VRAAG & ANTWOORD

Als u problemen ondervindt met uw DAB-radio zijn er enkele snelle en eenvoudige controles die u kunt doen, wat kan helpen om het probleem op te lossen.

Radio gaat niet aan/werkt niet

- Sluit de USB-kabel aan om de batterij op te laden en probeer de radio weer aan te zetten.

Geen DAB-ontvangst

- Voer de "Factory Reset" uit op de radio en stel de lengte en richting van de antenne in.
- Verplaats de radio dicht bij het raam.
- Voer opnieuw volledig scannen uit vanuit het hoofdmenu (houd de knop Info/Menu ingedrukt).

Radio-ontvangst is slecht

- Pas de lengte en de richting van de antenne aan om de ontvangst te verbeteren.
- Controleer of u geen andere elektrische apparatuur te dicht bij uw radio hebt die storing veroorzaakt.

Geen geluid

- Stel het volume in.
- Verander andere radiokanalen en kijk of er geluid is. Het kan het probleem van de ontvangst zijn of het probleem van de uitzending dat er geen geluid is.

Vielen Dank für den Kauf dieses Audiziosgeräts. Nehmen Sie sich einen Augenblick Zeit, um diese Anleitung sorgfältig durchzulesen, damit Sie die Möglichkeiten, die unser Produkt bietet, sofort voll ausnutzen können.

Lesen Sie erst die Anleitung vollständig vor der ersten Inbetriebnahme durch. Befolgen Sie die Anweisung, da sonst jeglicher Garantieanspruch verfällt. Treffen Sie stets alle Sicherheitsvorkehrungen um Feuer und/oder Stromschlag zu vermeiden. Reparaturen dürfen nur von qualifiziertem Fachpersonal ausgeführt werden, um Stromschlag zu vermeiden. Bewahren Sie diese Anleitung für spätere Bezugnahme auf.

- Bewahren Sie die Verpackung auf, um das Gerät im Bedarfsfall sicher transportieren zu können.
 - Bevor das Gerät in Betrieb genommen wird, muss es erst von einem Fachmann überprüft werden. Bei der ersten Benutzung kann etwas Geruch auftreten. Das ist normal und verschwindet nach einer Weile
 - Das Gerät enthält unter Spannung stehende Teile. Daher NIEMALS das Gehäuse öffnen.
 - Keine Metallgegenstände oder Flüssigkeiten ins Gerät dringen lassen. Sie können zu Stromschlag und Defekten führen.
 - Gerät nicht in der Nähe von Wärmequellen wie Heizkörpern aufstellen. Nicht auf eine vibrierende Oberfläche stellen. Niemals die Belüftungsschlitze abdecken.
 - Das Gerät ist nicht für Dauerbetrieb geeignet.
 - Gehen Sie vorsichtig mit dem Netzkabel um und beschädigen Sie es nicht. Eine beschädigte Netzschnur kann zu Stromschlag und Defekten führen.
 - Wenn Sie das Gerät vom Netz trennen, immer am Stecker ziehen, niemals an der Schnur.
 - Um Feuer und Stromschlag zu vermeiden, das Gerät vor Regen und Feuchtigkeit schützen.
 - Den Stecker nie mit nassen Händen in eine Netzsteckdose stecken oder abziehen.
 - Wenn sowohl der Stecker und/oder die Netzschnur bzw. der Kabeleintritt ins Gerät beschädigt sind, müssen sie von einem Fachmann repariert werden.
 - Wenn das Gerät so beschädigt ist, dass Innenteile sichtbar sind, darf der Stecker NICHT in eine Steckdose gesteckt werden und das Gerät darf NICHT eingeschaltet werden. Wenden Sie sich in dem Fall an Ihren Fachhändler. Das Gerät darf nicht an einen Dimmer angeschlossen werden.
 - Reparaturen dürfen nur von einem Fachmann oder Sachverständigen ausgeführt werden.
 - Das Gerät nur an eine geerdete 10-16A Netzsteckdose mit 220-240V AC/50Hz Spannung anschließen.
 - Bei Gewitter oder längerem Nichtgebrauch den Netzstecker abziehen. Die Regel gilt: Bei Nichtgebrauch Netzstecker abziehen.
 - Wenn das Gerät längere Zeit nicht benutzt wurde, kann sich Kondenswasser gebildet haben. Lassen Sie das Gerät erst auf Zimmertemperatur kommen, bevor Sie es einschalten.
- Das Gerät nicht in feuchten Räumen oder im Freien benutzen.
 - Um Unfällen in der Öffentlichkeit vorzubeugen, müssen die geltenden Richtlinien beachtet und die Anweisungen/Warnungen befolgt werden.
 - Niemals das Gerät kurz hintereinander ein- und ausschalten. Dadurch verkürzt sich die Lebensdauer erheblich.
 - Das Gerät außerhalb der Reichweite von Kindern halten. Das Gerät niemals unbeaufsichtigt lassen.
 - Die Regler nicht mit Reinigungssprays reinigen. Diese hinterlassen Rückstände, die zu Staub- und Fettansammlungen führen. Bei Störungen immer einen Fachmann um Rat fragen.
 - Das Gerät nur mit sauberen Händen bedienen.
 - Das Gerät nicht mit Gewalt bedienen.
 - Dieses Gerät kann dazu führen Magnetfeld. Halten Sie das Gerät mindestens 60 cm vom Computer oder Fernseher.
 - Wenn dieses Gerät eine Blei-Säure-Batterie hat, soll dies jede 3 Monate zumindest wieder aufgeladen werden, wenn es nicht für eine längere Zeit nicht benutzt wird, sonst ist es möglich, dass die Batterie dauerhaft beschädigt.
 - Fachmann um Rat fragen, bevor Sie es wieder einschalten.
 - Keine chemischen Reinigungsmittel benutzen, die den Lack beschädigen. Das Gerät nur mit einem trockenen Tuch abwischen.
 - Nicht in der Nähe von elektronischen Geräten benutzen, die Brummstörungen verursachen können.
 - Bei Reparaturen nur die Original-Ersatzteile verwenden, um starke Schäden und/oder gefährliche Strahlungen zu vermeiden.
 - Bevor Sie das Netz- und/oder Anschlusskabel abziehen, erst das Gerät ausschalten. Netz- und Anschlusskabel abziehen, bevor Sie das Gerät umstellen.
 - Sorgen Sie dafür, dass das Netzkabel nicht beschädigt werden kann, wenn Menschen darüber laufen. Das Netzkabel vor jedem Einsatz auf Brüche/Schadstellen überprüfen.
 - In Deutschland beträgt die Netzspannung 220-240V AC / 50Hz. Wenn Sie das Gerät auf Reisen mitnehmen, prüfen Sie, ob die örtliche Netzspannung den Anforderungen des Geräts entspricht.



Dieses Zeichen weist den Benutzer darauf hin, dass lebensgefährliche Spannungen im Gerät anliegen, die bei Berührung einen Stromschlag verursachen.



Dieses Zeichen lenkt die Aufmerksamkeit des Benutzers auf wichtige Hinweise in der Anleitung hin, die unbedingt eingehalten werden müssen.

HINWEIS: Um einen einwandfreien Betrieb zu gewährleisten, muss die Raumtemperatur zwischen 5° und 35°C liegen.



Tronios BV Registrierungsnummer : DE51181017 (ElektroG).

Dieses Produkt darf am Ende seiner Lebensdauer nicht über den normalen Haushaltsabfall entsorgt werden, sondern muss an einem Sammelpunkt für das Recycling abgegeben werden. Hiermit leisten Sie einen wichtigen Beitrag zum Schutze unserer Umwelt.

Tronios BV Registrierungsnummer : 21003000 (BatterieG).

Lithiumbatterien und Akkupacks sollten nur im entladenen Zustand in die Altbatteriesammelgefäße bei Handel und bei öffentlich-rechtlichen Entsorgungsträgern gegeben werden. Bei nicht vollständig entladenen Batterien Vorsorge gegen Kurzschluss treffen durch Isolieren der Pole mit Klebestreifen. Der Endnutzer ist zur Rückgabe von Altbatterien gesetzlich verpflichtet.

Reparieren Sie das Gerät niemals selbst und nehmen Sie niemals eigenmächtig Veränderungen am Gerät vor. Sie verlieren dadurch den Garantieanspruch. Der Garantieanspruch verfällt ebenfalls bei Unfällen und Schäden in jeglicher Form, die durch unsachgemäßen Gebrauch und Nichtbeachtung der Warnungen und Sicherheitshinweise in dieser Anleitung entstanden sind. Audizio ist in keinem Fall verantwortlich für persönliche Schäden in Folge von Nichtbeachtung der Sicherheitsvorschriften und Warnungen. Dies gilt auch für Folgeschäden jeglicher Form.

AUSPACKEN

Packen Sie das Gerät sofort nach Empfang aus und prüfen Sie den Inhalt. Wenn Teile fehlen oder beschädigt sind, benachrichtigen Sie sofort den Spediteur und bewahren Sie die Verpackung auf. Falls ein Gerät ins Werk zurückgeschickt werden muss, ist es wichtig, dass es in der Originalverpackung versandt wird.

Das Gerät darf nicht in Betrieb genommen werden, nachdem es von einem kalten in einen warmen Raum gebracht wurde. Das dabei entstehende Kondenswasser kann unter Umständen Ihr Gerät zerstören. Lassen Sie das Gerät solange ausgeschaltet, bis es Zimmertemperatur erreicht hat!

NETZANSCHLUSS

Die benötigte Versorgungsspannung steht auf dem Typenschild auf der Rückseite des Geräts. Die angegebenen Stromwerte entsprechen einem Durchschnittswert bei normalem Betrieb. Alle Geräte müssen direkt ans Netz angeschlossen werden und dürfen nicht über Dimmerpacks geschaltet werden. Bevor Sie eine Spannung anlegen, prüfen Sie, ob der Wert der zulässigen Spannung entspricht.

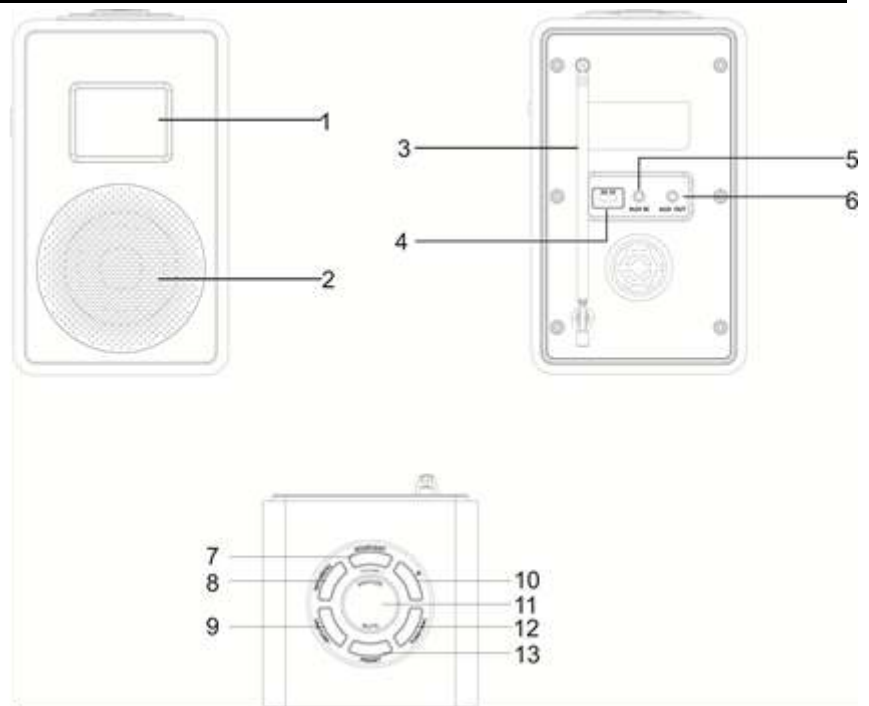


Verbinden Sie immer das Gerät an einem geschützten Schaltkreis (Leistungsschalter oder Sicherung). Stellen Sie sicher, das Gerät ist elektrisch geerdet, um das Risiko eines Stromschlags oder Feuer zu vermeiden.

BEDIENUNG

1. **LCD-Anzeige**
2. **Lautsprecher**
3. **Teleskop-Antenne**
4. **Typ-C-Anschluss**
USB-C-Austauschanschluss

5. **Aux-Eingang**
Auxiliary Linien-Eingang
6. **Aux out Buchse**
Leitungsausgang
7. **Quelle- (Modus)/BT Taste**
Drücken, um zwischen FM/DAB/BT oder LINE IN umzuschalten
8. **Info-/Menü-Taste**
Halten Sie gedrückt, um die Menüeinstellung aufzurufen, drücken Sie kurz, um durch die vom Radiosender übertragenen Informationen zu blättern
9. **TUNE- Taste**
Menünavigation: vorherige Sender/Titel
10. **Ein/Aus-Taste**
11. **Mute/Snooze/Lautstärke & Select/Enter-Taste**
Drücken Sie die Taste zum Bestätigen /Drehen, um durch den Listeneintrag zu blättern oder um die Radiofrequenzen einzustellen
12. **TUNE+ Taste**
Menünavigation: nächster Sender/Titel
13. **Preset-Taste**
Gedrückt halten, um auf die Voreinstellungsliste zuzugreifen. Drücken Sie , um die Voreinstellungsliste aufzurufen






LADEN DES AKKUS

Packen Sie das Gerät und alle Zubehörteile vorsichtig aus. Vergewissern Sie sich, dass alle folgenden Zubehörteile vorhanden sind, bevor Sie es in die Geschenkverpackung legen.
Benutzerhandbuch

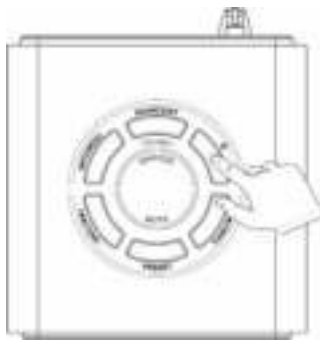
1. Schließen Sie das Typ-C-Kabel an den Typ-C-Anschluss an.



Schließen Sie das andere Ende des Typ-C-Kabels mit einem USB-Netzadapter an eine Steckdose an. Sie können den Akku auch aufladen, indem Sie das DAB an den USB-Anschluss eines Computers anschließen. Das Symbol  auf dem Display zeigt an, dass der Akku geladen wird.

2. Drücken Sie die  Netztaaste, um das Gerät einzuschalten. Um das Gerät auszuschalten, drücken Sie erneut die  Netztaaste.


i Bevor Sie das Gerät zum ersten Mal einschalten, laden Sie den Akku mindestens 3 Stunden lang auf.

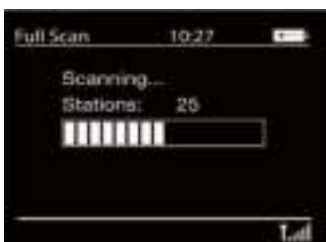


3. Wenn das Gerät mit Batterien betrieben wird, halten Sie die Netztaaste 3 Sekunden lang gedrückt oder schalten Sie das Gerät aus.

ERSTE SCHRITTE

Die Stromversorgung des Funkgeräts erfolgt über die eingebaute Lithiumbatterie. In der Produktverpackung befindet sich ein USB-Kabel zum Laden des Akkus.

Drücken Sie die  Einschalttaaste, um das DAB-Digitalradio einzuschalten. Das erste Mal, wenn das DAB-Digitalradio eingeschaltet wird, wird der DAB-Modus gestartet. Es wird automatisch nach verfügbaren Radiosendern gesucht.



ANWENDUNG

Drücken Sie die "Quelle" Taste, um das Menü "Quelle" aufzurufen. Drehen und drücken Sie den Auswahlknopf, um zwischen den Eingangsquellen zu wechseln.

Beschreibung Funktion

DAB-Radio	Hören Sie einen digitalen Radiosender.
FM-Radio	Hören Sie einen FM-Radiosender.
BT Einem	BT-Gerät zuhören.
Aux-Eingang	Hören Sie sich Inhalte von einem Gerät an, das an die Aux-Eingangsbuchse angeschlossen ist.

Wenn Sie einen digitalen Radiosender oder einen UKW-Radiosender hören, können Sie die Informationen anzeigen, die auf dem auf dem Bildschirm angezeigt.

Digitales Radio

Wenn Sie Digitalradio hören, drücken Sie die SELECT-Taste, um die auf dem Bildschirm angezeigten Informationen zwischen Scrolling, Lauftext, Programmtyp, Ensemble, Kanal/Frequenz, Signalstärke/Fehler, Bitrate oder Datum zu wechseln.

Wenn Sie digitales Radio hören, können Sie auch den Drehschalter "Select" gedrückt halten, um das Display zwischen dem Bildschirm "Now on" (Jetzt eingeschaltet), einer Vollbildversion der Grafik des Radiosenders und einem Bildschirm, der Informationen über das gesendete Programm zusammen mit der Grafik des Radiosenders anzeigt, umzuschalten.

FM-Radio

Wenn Sie UKW-Radio hören, drücken Sie INFO, um die auf dem Bildschirm angezeigten Informationen umzuschalten zwischen 'Lauftext', 'Programmtyp', 'Stereo/Mono' und 'Datum'.

Hören von Digital- oder FM-Radio

1. Drücken Sie die Taste "Quelle" und drehen und drücken Sie die Taste "Auswahl", um "DAB-Radio" im Menü "Home" auszuwählen.
2. Bildschirm. Wenn Sie das DAB-Radio zum ersten Mal auswählen, führt DAB eine automatische Abstimmung durch, um alle verfügbaren Sender zu finden, und stellt danach einen Sender ein.



3. Drücken und halten Sie die Menütaste Wählen Sie zur Senderliste.
4. Drücken Sie die Auswahlstaste, um den Sender zu wechseln.



Wechseln der FM-Sender

Abstimmung zum Suchen

1. Drücken Sie die Taste "Quelle" und drehen und drücken Sie das Auswahlrad, um "FM-Radio" auf dem Startbildschirm auszuwählen.
2. Drücken Sie das Auswahlrad, um den nächsten UKW-Radiosender zu suchen, der ein starkes Signal hat.

Manuelle Abstimmung

1. Drücken Sie die Taste "Quelle" und drehen und drücken Sie das Auswahlrad, um "FM-Radio" auf dem Startbildschirm auszuwählen.
2. Halten Sie die Select-Taste gedrückt, um in den manuellen Abstimmungsmodus zu gelangen.
3. Drehen Sie den Auswahlknopf, um 0,05 MHz nach oben oder unten zu bewegen.

VERWENDEN VON RADIOVOREINSTELLUNGEN

Sie können bis zu 40 DAB- und 40 FM-Radiosender für den schnellen Zugriff speichern.

So speichern Sie einen voreingestellten Sender

1. Stellen Sie den Sender ein, den Sie als Voreinstellung speichern möchten.
2. Halten Sie die Preset-Taste gedrückt, um die Liste der voreingestellten Sender anzuzeigen.
3. Drehen und drücken Sie die SELECT-Taste, um den Radiosender in eine der verfügbaren Voreinstellungen.

Anhören eines voreingestellten Senders

1. Drücken Sie die Preset-Taste, um die Liste der voreingestellten Sender anzuzeigen.
2. Drehen und drücken Sie die SELECT-Taste, um den voreingestellten Sender auszuwählen, den Sie hören möchten.



VERWENDUNG DES HILFSEINGANGS

Sie können den Aux-Eingang verwenden, um Musik von Ihrem Telefon oder Tablet abzuspielen.

Anschließen eines Aux

Verbinden Sie den Line-Out oder die Kopfhörerbuchse Ihres Zusatzgerätes mit einem geeigneten Kabel mit der Buchse "Aux In".

So wählen Sie den Auxiliary-Eingang

Drücken Sie die Taste "Source" und drehen und drücken Sie das Auswahlrädchen, um "Auxiliary Input" auf dem Startbildschirm auszuwählen. Starten Sie auf Ihrem Zusatzgerät die Wiedergabe der Inhalte, die Sie auf Ihrem Zusatzgerät ausgewählt haben.

BT PLAY

Sie können BT verwenden, um eine drahtlose Verbindung mit einem Gerät wie einem Mobiltelefon oder Tablet herzustellen. Sie können dann Musik von Ihrem Mobiltelefon oder Tablet streamen. Wenn Sie ein BT-Gerät zum ersten Mal anschließen, müssen Sie es koppeln. Nachdem Sie ein Gerät gekoppelt haben, merkt sich das Gerät dies für das nächste Mal.

Mithören an einem BT-Gerät

1. Drücken Sie die Taste "Quelle" und wählen Sie "BT".
2. Schalten Sie an Ihrem BT-Gerät Audizio BT ein und stellen Sie eine Verbindung her.
3. Wählen Sie Ihren Lieblingssong aus, tippen Sie auf die BT PLAY-Taste an Ihrem BT-Gerät oder auf die BT PLAY Taste am Audizio, um den Titel von Ihrem BT-Gerät abzuspielen oder anzuhalten.
4. Um das Audizio mit einem anderen BT-Gerät zu koppeln (zu paaren), halten Sie die BT-Pair-Taste einige Sekunden lang gedrückt. Die Anzeige "connected" blinkt. Das Audizio wechselt in den Kopplungs-/Anzeigemodus. Wiederholen Sie die Schritte 3 & 4.

Hinweis: Weitere Informationen entnehmen Sie bitte dem Handbuch Ihres BT-Geräts. Wenn Sie zur Eingabe eines Passworts aufgefordert werden, geben Sie 0000 ein.

Trennen der Verbindung mit einem Bluetooth-Gerät

Um ein BT-Gerät zu trennen, führen Sie einen der folgenden Schritte aus:
Drücken Sie Source, um zum Digitalradio oder UKW-Radio zu wechseln.
Schalten Sie BT auf dem angeschlossenen Gerät aus.

HAUPTMENÜ DES DAB-MODUS

Wenn Sie einen DAB-Radiosender hören, halten Sie <INFO/MENU> gedrückt, um das Hauptmenü wie folgt aufzurufen:

Hinweis: Wenn innerhalb von 30 Sekunden keine Bedienung erfolgt, kehrt das Radio in den zuletzt gespielten Modus zurück.
Hinweis: Drücken Sie <INFO/MENU>, um das Menü zu verlassen oder zur letzten Menüebene zurückzukehren.

Senderliste:

Zeigt eine Liste aller gefundenen DAB-Radiosender an.

Vollständiger Scan

Drücken Sie diese Taste, um nach DAB-Radiosendern zu suchen.

Manuelle Abstimmung

Drücken Sie , um die manuelle Abstimmung einzuschalten, dann können Sie die Frequenz zwischen 5A und 13F wählen und manuell nach der verfügbaren Frequenz suchen.

Pflaume

Einige DAB-Dienste stellen möglicherweise den Sendebetrieb ein oder Sie können einen Sender nicht empfangen. Wählen Sie "ja", um die DAB-Sender aus Ihrer Senderliste zu entfernen, die nicht mehr empfangen werden können.

DRC

Dynamic Range Control (auch als DRC bekannt) kann leisere Töne besser hörbar machen, wenn Ihr Radio in einer lauten Umgebung verwendet wird. Diese Funktion ist nur für DAB verfügbar.

DRC Aus - Keine Kompression

DRC Niedrig - Mittlere Kompression

DRC Hoch - Maximale Kompression

Wenn Sie die Kompression auf Maximum einstellen, werden leise Töne "verstärkt", während die lautesten Töne auf ihrem ursprünglichen Pegel bleiben.

System

Thema

Sie können zwischen 6 verschiedenen Themen für Ihr Radio wählen.

Schlaf

Dies ist die Einstellung für den Sleep-Timer. Das Radio schaltet in den Standby-Modus, wenn die Zeit reif ist.

Sie können zwischen 15 Minuten, 30 Minuten, 45 Minuten, 60 Minuten und 90 Minuten wählen.

Verwenden Sie die Taste <Tune/Select>, um auszuwählen, und drücken Sie zur Bestätigung die Taste <Tune/Select>.

Um die Sleep-Timer-Funktion abzubrechen, wählen Sie im Menü "Aus".

So stellen Sie einen Alarm ein

1. Drücken Sie die Alarmtaste, um "Alarmer" auszuwählen.
2. Drehen Sie im Menü "Alarm" und drücken Sie die SELECT-Taste, um "Alarm 1" oder "Alarm 2" auszuwählen.
3. Drücken Sie Wählen, um 'Alarm' auf 'Ein' zu setzen.
4. Drehen und drücken Sie das Auswahrad, um die "Frequenz" zu ändern.
5. Wählen Sie "Weckzeit" durch Drehen und Drücken des Drehknopfes "Select", drehen Sie den Drehknopf, um die Stunden und Minuten einzustellen und drücken Sie den Drehknopf "Select", um Ein zu stimmen.
6. Drehen und drücken Sie das Auswahrad, um "Quelle" auszuwählen. Drehen und drücken Sie das Auswahrad, um zwischen 'Buzzer', 'Digital Radio' oder 'FM' zu wählen, und drücken Sie dann das Auswahrad zur Bestätigung.
7. Wenn Sie "Digitalradio" oder "UKW-Radio" gewählt haben, drehen und drücken Sie das Auswahrad, um "Preset" auszuwählen. Um den zuletzt gehörten Sender wiederzugeben, drehen und drücken Sie das Auswahrad, um "Last listened to" auszuwählen, oder drehen und drücken Sie das Auswahrad, um einen Radiosender aus der Voreinstellungsliste auszuwählen.
Hinweis: Überspringen Sie diesen Schritt, wenn Sie einen Tonalarm einstellen.
8. Drehen und drücken Sie das Auswahrad, um "Dauer" auszuwählen. Drehen Sie und drücken Sie auf Wählen, um die Dauer des Alarmsignals in Minuten einzustellen.
9. Drehen und drücken Sie den Select-Drehknopf, um "Volume" auszuwählen. Drehen Sie und drücken Sie Wählen, um die Lautstärke des Alarms einzustellen.

Deaktivieren eines ertönenden Alarms

Um einen ertönenden Alarm zu schlummern (snooze), drücken Sie den Drehknopf Auswahl. Auf dem Display wird ein Countdown-Timer angezeigt, der angibt, wie lange der Alarm schlummern wird. Um die Schlummerzeit des Weckers einzustellen, drücken Sie das Wählrad, um die Schlummerzeit in 5-Minuten-Schritten auf 15 Minuten und dann auf 30 Minuten zu ändern. Um einen Schlummeralarm abzubrechen, drücken Sie die Ein/Aus-Taste.

Hinweis: Verwenden Sie die Alarmfunktionen nur, wenn Sie an die Netzspannung angeschlossen sind.

EQ

Hier können Sie den gewünschten EQ auswählen oder einfach Ihre eigenen EQ-Einstellungen vornehmen.

Uhrzeit/Datum

Es gibt 4 Einstellungen:

1. Zeit/Datum einstellen: Ermöglicht es dem Benutzer, die aktuelle Uhrzeit und das Datum manuell einzustellen.
2. Auto Update: Diese Funktion aktualisiert automatisch die Uhrzeit und das Datum des Radios mit den Daten, die mit der Ausstrahlung eines UKW- oder DAB-Radiosenders gesendet werden. Sie können "No Update" wählen, dann empfängt das Radio die Zeitdaten nicht.
3. 12/24 Stunden einstellen: Mit dieser Option können Sie das Format Ihrer Uhr auf 12- oder 24-Stunden-Format ändern.
4. Datumsformat einstellen: Mit dieser Option wird das Format des Datums auf TT/MM/JJJJ oder MM/TT/JJJJ geändert.

Hinweis:

Die automatische UKW-Zeit-/Datumsaktualisierung funktioniert in Ihrem Gebiet möglicherweise nicht, daher wird die automatische DAB-Aktualisierungsoption empfohlen.

Hintergrundbeleuchtung

Es stehen 3 Helligkeitsstufen zur Auswahl: Hoch, Mittel und Niedrig.

1. Time-out: Mit dieser Option stellen Sie die Zeitspanne ein, in der die Hintergrundbeleuchtung des Displays eingeschaltet bleiben soll, wenn das Radio nur spielt, ohne dass eine Aktion ausgeführt wird.

Die verfügbaren Optionen sind: Ein /10sec /20sec /30sec /45sec /60sec /90sec /120sec /180sec.

Wenn Sie "Ein" wählen, bleibt die Hintergrundbeleuchtung Ihres Radios konstant eingeschaltet, ohne zu dimmen, ob Sie das Radio bedienen oder nicht. Wenn Sie ein bestimmtes Zeitintervall auswählen, wird das Display nach Ablauf der gewählten Zeitspanne gedimmt.

2. Auf Stufe: Es stehen 3 Stufen zur Auswahl, Hoch, Mittel und Niedrig. Diese Option steuert, wie hell die Hintergrundbeleuchtung des Displays ist, wenn das Radio in Betrieb ist.
3. Dimmstufe: Die Dimmstufe kann auch auf Hoch, Mittel und Niedrig eingestellt werden. Hiermit wird die Helligkeit der Display-Hintergrundbeleuchtung eingestellt, wenn diese gedimmt ist.

Sprache

Es stehen 4 Sprachen für das Menü zur Verfügung: Deutsch, Englisch, Französisch und Italienisch.

Werksreset

Sie können Ihr Radio jederzeit auf die Werkseinstellungen zurücksetzen. Nach einem Reset werden alle vorherigen Einstellungen und Senderpräferenzen gelöscht und das Radio kehrt in den DAB-Modus zurück.

SW-Version

Drücken Sie , um die Firmware-Version anzuzeigen.

HAUPTMENÜ DES FM-MODUS

Während sich das Radio im FM-Modus befindet, halten Sie die Taste <INFO/MENU> am Radio gedrückt, um das Hauptmenü aufzurufen.

Scan-Einstellung

Es sind zwei Arten von Scans verfügbar. Der Suchlauf wird auf Basis von "Starker Sender" oder "Alle Sender" durchgeführt. Wenn "Starker Sender" ausgewählt ist, werden nur die Kanäle mit starkem Empfangssignal am Standort des Radios gescannt. Wenn "Alle Sender" ausgewählt ist, werden sowohl starke als auch schwache Sender gescannt.

Audio-Einstellung

Sie können entweder "Forced Mono" oder "Stereo Allowed" auswählen. Wenn das Signal schwach ist und kein stabiler Stereoempfang möglich ist, wählen Sie "Forced Mono" für einen besseren Empfang. Wenn ein UKW-Sender wiedergegeben wird, können Sie durch Drücken der Taste <TUNE/SELECT> die Audioeinstellung ändern.

Hinweis: Da das Radio in Mono arbeitet, empfiehlt es sich, "Forced Mono" zu verwenden, um einen guten Empfang zu erhalten.

System

Die verfügbaren Optionen sind die gleichen wie für DAB. Bitte beachten Sie den Abschnitt DAB wie oben beschrieben.

FRAGEN UND ANTWORTEN

Wenn Sie Probleme mit Ihrem DAB-Radio haben, gibt es einige schnelle und einfache Überprüfungen, die Sie durchführen können und die helfen können, das Problem zu lösen.

Radio schaltet sich nicht ein/arbeitet nicht

- Schließen Sie das USB-Kabel an, um den Akku aufzuladen, und versuchen Sie, das Radio erneut einzuschalten.

Kein DAB-Empfang

- Bitte führen Sie einen "Factory Reset" am Radio durch und stellen Sie die Länge und Richtung der Antenne ein.
- Bringen Sie das Radio in die Nähe des Fensters.
- Führen Sie den Full Scan erneut vom Hauptmenü aus durch (Drücken und halten Sie die Info/Menü-Taste gedrückt).

Der Radioempfang ist schlecht

- Bitte passen Sie die Länge und Richtung der Antenne an, um den Empfang zu verbessern.
- Vergewissern Sie sich, dass sich keine anderen elektrischen Geräte zu nahe an Ihrem Radio befinden, die Störungen verursachen könnten.

Kein Ton

- Stellen Sie den Lautstärkepegel ein.
- Bitte wechseln Sie andere Radiokanäle und schauen Sie nach, ob es Ton gibt. Es könnte ein Empfangsproblem oder ein Übertragungsproblem sein, das keinen Ton hat.

Felicitaciones a la compra de este producto Audizio. Por favor lea atentamente este manual antes de usar el aparato para disfrutar al completo de sus prestaciones.

Seguir las instrucciones le permite no invalidar la garantía. Tome todas las precauciones para evitar que se produzca fuego o una descarga eléctrica. Las reparaciones solo deben llevarse a cabo por técnicos cualificados para evitar descargas eléctricas. Guarde el manual para futuras consultas.

sentirse cierto olor. Esto es normal y desaparece al poco tiempo.

- Este aparato contiene piezas que llevan voltaje. Por lo tanto NO abra la carcasa.
- No coloque objetos metálicos o vierta líquidos dentro del aparato. Podría producir descargas eléctricas y fallos en el funcionamiento.
- No coloque el aparato cerca de fuentes de calor tipo radiadores, etc. No coloque el aparato en superficies vibratorias. No tape los agujeros de ventilación.
- Este aparato no está preparado para un uso continuado.
- Tenga cuidado con el cable de alimentación y no lo dañe. Un daño o defecto en el cable de alimentación puede producir una descarga eléctrica o fallo en el funcionamiento.
- Cuando desconecte el aparato de la toma de corriente, siempre tire de la clavija, nunca del cable.
- No enchufe o desenchufe el aparato con las manos mojadas.
- Si la clavija y/o el cable de alimentación están dañados, necesitan reemplazarse por un técnico cualificado.
- Si el aparato está dañado de modo que puedan verse sus partes internas, NO conecte el aparato a la toma de corriente y NO lo encienda. Contacte con su distribuidor. NO conecte el aparato a un reostato o dimmer.
- Para evitar un fuego o peligro de descarga, no exponga el aparato a la lluvia y a la humedad.
- Todas las reparaciones deben llevarse a cabo exclusivamente por técnicos cualificados.
- Conecte el aparato a una toma de corriente con toma de tierra (220-240Vca/50Hz) protegida por un fusible de 10-16A.
- Durante una tormenta o si el aparato no va a usarse durante un periodo largo de tiempo, desconéctelo de la toma de corriente. La regla es: Desconéctelo si no lo va a usar.
- Si el aparato no se ha usado en mucho tiempo puede producirse condensación. Deje el aparato a temperatura ambiente antes de encenderlo. Nunca utilice el aparato en ambientes húmedos o en el exterior.
- Para prevenir accidentes en las empresas, debe seguir las directrices aplicables y seguir las instrucciones.
- No lo apague y encienda repetidamente. Esto acorta su tiempo de vida.
- Mantenga el aparato fuera del alcance de los niños. No deje el aparato sin vigilancia.
- No utilice sprays limpiadores para limpiar los interruptores. Los residuos de estos sprays producen depósitos de polvo y grasa. En caso de mal funcionamiento, siempre consulte a un profesional.
- No fuerce los controles.
- Si el aparato se ha caído, siempre haga que lo verifique un técnico cualificado antes de encenderlo otra vez.
- NO utilice productos químicos para limpiar el aparato. Dañan el barniz. Tan solo límpielo con un trapo seco.
- Manténgalo lejos de equipos electrónicos ya que pueden producir interferencias.
- Si este producto incorpora una batería recargable con base ácida, por favor recargue batería cada 3 meses si no va a usar la unidad por un tiempo prolongado. En caso contrario la batería podría dañarse.
- Solo utilice recambios originales para las reparaciones, de otro modo pueden producirse daños serios y/o radiaciones peligrosas.
- Apague el aparato antes de desconectarlo de la toma de corriente y/o de otros equipos. Desconecte todos los cables y conexiones antes de mover el aparato.
- Asegúrese de que el cable de alimentación no puede dañarse cuando la gente lo pise. Compruebe el cable de alimentación antes de cada uso por si hay daños o defectos.
- El voltaje de funcionamiento es 220-240Vca/50Hz. Compruebe que la toma de corriente coincide. Si tiene que viajar, asegúrese de que el voltaje del país es el adecuado para este aparato.
- Guarde el embalaje original para poder transportar el aparato en condiciones seguras.



Esta señal advierte al usuario de la presencia de alto voltaje en el interior de la carcasa y que es de la suficiente magnitud como para producir una descarga eléctrica.



Esta señal advierte al usuario de que el manual contiene instrucciones importantes que han de leerse y seguirse al pie de la letra.

NOTA: Para asegurarse de que el aparato funcione correctamente, debe usarse en ambientes a una temperatura de entre 5°C/41°F y 35°C/95°F.



Los productos electrónicos no pueden tirarse a la basura normal. Por favor lleve este producto a un centro de reciclaje. Pregunte a la autoridad local en caso de duda. Las especificaciones son generales. Los valores actuales pueden variar de una unidad a otra. Las especificaciones pueden variar sin previo aviso.

Nunca intente reparar usted mismo este equipo. Esta manipulación anulará la garantía. No realice cambios en la unidad. Esta manipulación anulará la garantía. Esta garantía no es aplicable en caso de accidente o daños ocasionados por uso indebido del aparato o mal uso del mismo. Audizio no se hace responsable de daños personales causados por el no seguimiento de las normas e instrucciones de este manual. Esto es aplicable también a los daños de cualquier tipo.

INSTRUCCIONES DE DESEMBALAJE

ATENCIÓN! Inmediatamente después de recibir un dispositivo, desempaqué cuidadosamente la caja de cartón, compruebe el contenido para asegurarse de que todas las partes están presentes, y se han recibido en buenas condiciones. Notifique inmediatamente al transportista y conserve el material de embalaje para la inspección por si aparecen daños causados por el transporte o el propio envase muestra signos de mal manejo. Guarde el paquete y todos los materiales de embalaje originales. En el caso de que deba ser devuelto a la fábrica, es importante que el aparato sea devuelto en la caja de la fábrica y embalaje originales.

Si el aparato ha estado expuesto a grandes cambios de temperatura (tras el transporte), no lo enchufe inmediatamente. La condensación de agua producida podría dañar su aparato. Deje el dispositivo apagado hasta que se haya alcanzado la temperatura ambiente.

FUENTE DE ALIMENTACIÓN

En la etiqueta de la parte trasera del controlador se indica el tipo de fuente de alimentación que debe ser conectado. Compruebe que la tensión de red corresponda a esto, todos los otros voltajes a la especificada, puede causar efectos irreparable. El producto también debe estar conectado directamente a la red para ser utilizado. No en ninguna fuente de alimentación o dimmer ajustable.



Conecte siempre el producto a un circuito protegido (disyuntor o fusible). Asegúrese de que el producto tiene una toma de tierra adecuada para evitar el riesgo de electrocución o incendio.

CONTROL

1. Pantalla LCD

2. Altavoz

3. Antena Telescopica

4. Puerto usb Tipo-C
USB-C Puerto de carga

5. Aux in Jack
Entrada de línea

6. Aux out Jack
Salida de línea

7. Botón Source/BT
Presione para cambiar entre FM/DAB/BT o LINE IN

8. Botón Info/Menu
Mantenga presionado el botón para ingresar al menú de configuración, presiónelo brevemente para desplazarse por la información transmitida por la emisora de radio.

9. Botón TUNE
menú navegación atrás / cambiar de emisora / cambio de pista.

10. Botón Power
On/off

11. Botón Mute/Snooze/Volume& Select/Enter

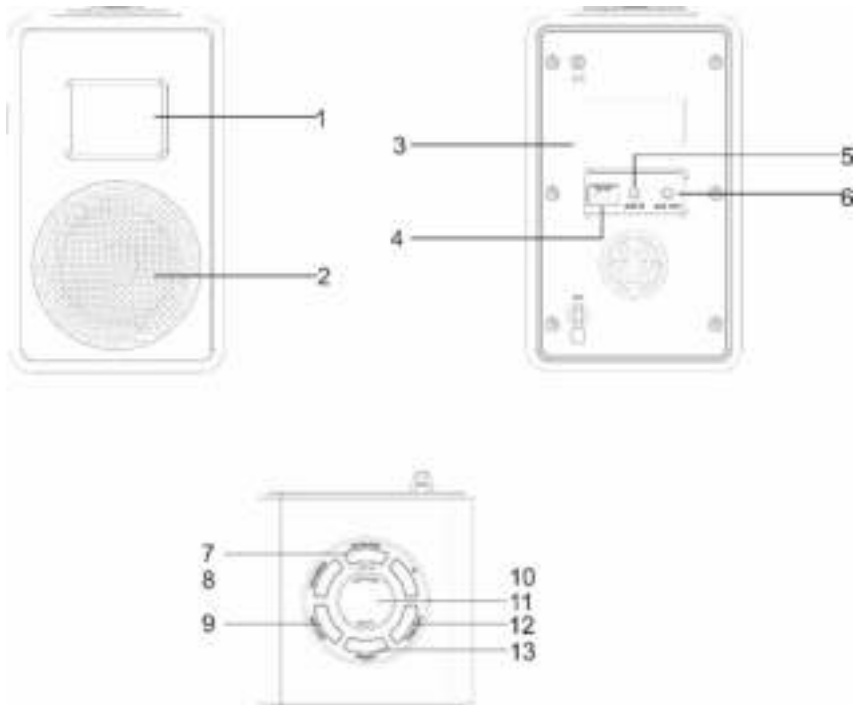
Presione el botón para confirmar / rotar para desplazarse por el elemento en la lista o para ajustar las frecuencias de radio.

12. Botón TUNE+

menú de navegación hacia adelante / cambio de emisora / cambio de pista

13. Botón Preset

Manténgalo pulsado para abrir la lista de tiendas preestablecidas. Presione para abrir la lista de preajustes.




CARGANDO LA BATERÍA


Retire con cuidado la unidad y todos los accesorios del paquete.
Verifique que tiene todos los accesorios antes de reciclar la caja exterior.
Manual de usuario:

1. Conecte el cable USB tipo C al puerto tipo C.

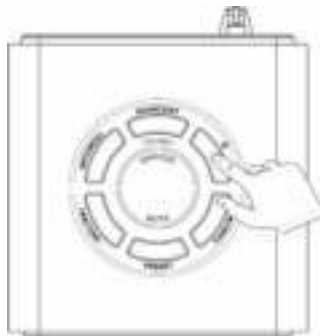


Conecte el otro extremo del cable tipo C a una toma de corriente, utilizando un adaptador de corriente USB. También puede cargar la batería conectando DAB al puerto USB de una computadora.

El ícono  en la pantalla, muestra la carga de la batería.

2. Presione el botón Power  para encender la unidad. Para apagarla, presione el botón power de nuevo.

i Antes de encenderlo por primera vez, cargue la batería durante al menos 3 horas.

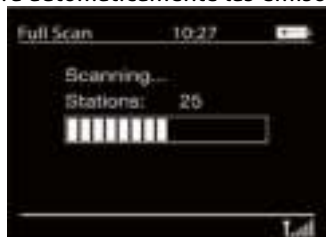


3. Cuando la unidad esté usando baterías, presione y mantenga presionado el botón de ENCENDIDO durante 3 segundos o apague.

EMPEZANDO

La radio funciona con la batería de litio incorporada. Se incluye un cable USB en el paquete del producto para cargar la batería.

Presione el botón de encendido para encender la radio digital DAB. La primera vez que se utiliza la radio digital DAB conmutada, iniciará el modo DAB. Buscará automáticamente las emisoras de radio disponibles.



MODO DE USO

Presione el botón Fuente para mostrar el menú "Source". Gire y presione el dial de selección para cambiar entre las fuentes de entrada.

Descripción	Función
DAB Radio	Escuche una emisora de radio digital.
FM Radio	Escuche una emisora de radio FM.
BT	Escuche un dispositivo Bluetooth.
Entrada Auxiliar	Escuche el contenido de un dispositivo conectado a su Aux in connection.

Al escuchar una emisora de radio digital o FM, puede cambiar la información que se muestra en el pantalla.

Radio Digital

Cuando escuche la radio digital, presione el dial de selección para alternar la información que se muestra en la pantalla entre texto en movimiento, tipo de programa, conjunto, canal / frecuencia, intensidad de la señal / error, Bitrate o fecha.

Cuando escuche la radio digital, también puede mantener presionado el dial de selección para alternar la pantalla y mostrar la pantalla 'Reproduciendo ahora', una versión de pantalla completa de la obra de arte de la estación de radio y una pantalla que muestra información sobre el programa que se está transmitiendo. junto con la obra de arte de la estación de radio.

Radio FM

Cuando escuche la radio FM, presione el botón INFO para alternar la información que se muestra en la pantalla entre "Texto en desplazamiento", "Tipo de programa", "Estéreo / Mono" y "Fecha".

Escuchar radio digital o fm.

1. Presione el botón Source y gire y presione el dial de selección para seleccionar "Radio DAB" en la pantalla de inicio.
2. pantalla. La primera vez que seleccione la radio DAB, DAB realizará una sintonización automática para encontrar todas las emisoras disponibles y sintonizará una cuando termine.



3. Mantenga presionado el botón Menú Seleccionar para lista de emisoras
4. Presione el botón SELECT para cambiar la emisora.



Cambio de emisoras FM

Buscar sintonía

1. Presione el botón Source y gire y presione el dial de selección para seleccionar "Radio FM" en la pantalla de inicio.
2. Presione el dial de selección para buscar la siguiente emisora de radio FM que tenga una señal fuerte.

Búsqueda Manual

1. Presione el botón Source y gire y presione el dial de selección para seleccionar "Radio FM" en la pantalla de inicio.
2. Mantenga presionado el botón Seleccionar para ingresar al modo de sintonización manual.
3. Gire el dial de selección para subir o bajar 0.05 MHz.

UTILIZAR PREAJUSTES DE RADIO

Puede almacenar hasta 40 estaciones de radio DAB y 40 FM para un acceso rápido.

Almacenamiento de un preajuste

1. Sintonice la emisora que desea almacenar como presintonizada.
2. Mantenga presionado el botón PRESET para ver la lista preestablecida.
3. Gire y presione el dial de selección para almacenar la emisora de radio una de las ranuras preestablecidas disponibles.

Escuchando un preajuste

1. Presione el botón PRESET para mostrar la lista preestablecida.
2. Gire y presione el dial de selección para seleccionar el preset que desea escuchar.



USANDO LA ENTRADA AUXILIAR

Puede utilizar la entrada auxiliar para reproducir cualquier música desde su teléfono o tableta.

Conexión de un dispositivo auxiliar

Conecte la salida de línea o la toma de auriculares de su dispositivo auxiliar a la toma Aux In con un cable adecuado.

Seleccionar la entrada auxiliar

Presione el botón de source y gire y presione el dial de selección para seleccionar "Entrada auxiliar".

REPRODUCCIÓN BLUETOOTH

Puede utilizar BT para conectarse de forma inalámbrica a un dispositivo, como un teléfono móvil o una tableta.

La primera vez que conecta un dispositivo BT, debe emparejarlos. Una vez que haya emparejado un dispositivo, lo recuerda para la próxima vez.

Escuchar un dispositivo BT

1. Pulse el botón Source y seleccione "BT".
2. En su dispositivo BT Audizio, encienda BT y conéctelo.
3. Seleccione su canción favorita, toque el botón BT PLAY en su dispositivo BT o el botón BT PLAY en el Audizio para reproducir o pausar la canción desde su dispositivo BT.
4. Si desea emparejar (vincular) el Audizio con otro dispositivo BT, presione y mantenga presionado el botón BT Pair durante unos segundos. El "conectado" parpadeará. El Audizio entrará en modo Emparejamiento / Detectable. Repita los pasos 3 y 4.

Nota: Para obtener más información, consulte el manual de usuario de su dispositivo BT. Si se le pide que ingrese una contraseña, ingrese 0000.

Desconectar un dispositivo Bluetooth

Para desconectar un dispositivo BT, realice una de las siguientes acciones:

Presione Fuente para cambiar a radio digital o radio FM. Apague BT en el dispositivo conectado.

MENU PRINCIPAL DEL MODO DAB

Cuando escuche una estación de radio DAB, presione y mantenga presionado <INFO / MENU> para ingresar al menú principal de la siguiente manera:

Tenga en cuenta que si no se realiza ninguna operación en 30 segundos, la radio volverá al último modo de reproducción.

Nota: Para salir / regresar al último nivel del menú, presione el botón <INFO / MENU>.

Station List:

Le da una lista de todas las emisoras de radio DAB encontradas

Full Scan

Presione para buscar emisoras de radio DAB.

Manual Tune

Presione para ingresar a la sintonización manual, luego puede elegir la frecuencia de 5A a 13F y realizar un escaneo en la frecuencia disponible manualmente.

Prune

Es posible que algunos servicios DAB dejen de transmitir o que no pueda recibir una emisora. Seleccione "sí" para eliminar las emisoras DAB de su lista de emisoras que ya no se pueden recibir.

DRC

El control de rango dinámico (también conocido como DRC) puede hacer que los sonidos más bajos sean más fáciles de escuchar cuando su radio se usa en un ambiente ruidoso. Esta función solo está disponible para DAB.

DRC desactivado - in compresión

DRC Low - Compresión media

DRC High - Compresión máxima

Establecer la compresión al máximo "potenciará" los sonidos silenciosos, mientras mantiene los sonidos más fuertes en su nivel original..

System

Theme

Puedes elegir entre 6 temas diferentes para tu radio.

Sleep

Esta es la configuración del temporizador de apagado. La radio se pondrá en modo de espera cuando llegue el momento. Puede elegir entre 15 minutos, 30 minutos, 45 minutos, 60 minutos y 90 minutos.

Use la perilla <Tune / Select> para elegir y presione <Tune / Select> para confirmar.

Si desea cancelar la función de temporizador de apagado, seleccione "Desactivado" en el menú..

Ajuste de alarma

1. Presione el botón Alarma para seleccionar "Alarmas".
2. Desde el menú "Alarma", gire y presione el dial de selección para seleccionar "Alarma 1" o "Alarma 2".
3. Presione Seleccionar para activar "Alarma".
4. Gire y presione el dial de selección para cambiar la "Frecuencia".
5. Seleccione "Wake Up time" girando y presionando el dial de selección, gire el dial para ajustar las horas y minutos, presionando Seleccionar para confirmar cada sección.
6. Gire y presione el dial de selección para seleccionar "Source". Gire y presione el dial de selección para elegir entre "Buzzer", "Radio digital" o "FM", luego presione el dial de selección para confirmar.
7. Si ha elegido "Radio digital" o "Radio FM", gire y presione el dial de selección para seleccionar "Preset". A reproduzca la última emisora que escuchó, gire y presione el dial de selección para seleccionar "Última escucha" o gire y presione el dial de selección para elegir una estación de radio de la lista de presintonías.
Nota: omita este paso si está configurando una alarma de tono.
8. Gire y presione el dial de selección para seleccionar "Duración". Gire y presione Seleccionar para establecer la duración la alarma sonará en minutos.
9. Gire y presione el dial de selección para seleccionar "Volumen". Gire y presione el Seleccionar el dial para configurar el volumen de la alarma.

Posponer una alarma que suena

Para posponer una alarma que suena, presione el selector de selección. La pantalla mostrará un temporizador de cuenta regresiva para mostrar cuánto tiempo se pospondrá la alarma. Para ajustar la cantidad de tiempo que se pospondrá la alarma, presione el dial de selección para cambiar la duración de la repetición en intervalos de 5 minutos hasta 15 minutos, y luego 30 minutos. Para cancelar una alarma con repetición, presione el botón de Encendido.

Nota: Sólo utilice las funciones de alarma cuando esté conectado a la red eléctrica.

EQ

Aquí puede elegir qué tipo de ecualizador le gusta o simplemente hacer sus propios ajustes de ecualización.

Fecha/Hora

Hay 4 configuraciones:

1. Establecer hora / fecha: esto permite al usuario configurar manualmente la hora y fecha actuales.
2. Actualización automática: esta función establecerá la hora y la fecha de la radio automáticamente con los datos enviados junto con la transmisión de la emisora de radio FM o DAB. Puede elegir "Sin actualización", entonces la radio no recibirá los datos de tiempo.
3. Establecer 12/24 horas: esta opción cambiará el formato de su reloj a formato de 12 horas o de 24 horas.
4. Establecer formato de fecha: esta opción cambiará el formato de la fecha a DD / MM / AAAA o MM / DD / AAAA.

Nota:

Es posible que la actualización automática de hora / fecha de FM no funcione en su área, por lo que se recomienda la opción de actualización automática de DAB.

Luz de fondo

Hay 3 niveles de brillo que puede elegir: Alto, Medio y Bajo.

1. Tiempo de espera: esta opción se utiliza para establecer el período de tiempo que desea que la luz de fondo de la pantalla permanezca encendida cuando su radio está en reproducción sin que se realice ninguna operación.

Las opciones disponibles son: Activado / 10 segundos / 20 segundos / 30 segundos / 45 segundos / 60 segundos / 90 segundos / 120 segundos / 180 segundos.

Si selecciona "Encendido", la luz de fondo de su radio permanecerá encendida constantemente sin atenuarse, sin importar durante el funcionamiento o inactiva. Si selecciona un intervalo de tiempo específico, una vez transcurrido el periodo de tiempo seleccionado, la pantalla se atenuará.

2. Nivel: hay 3 niveles para elegir, alto, medio y bajo. Esta opción determinará qué tan brillante se enciende la luz de fondo de la pantalla cuando la radio está en funcionamiento.
3. Nivel de atenuación: el nivel de atenuación también se puede establecer en Alto, Medio y Bajo. Sirve para determinar qué tan brillante es la luz de fondo de la pantalla cuando está atenuada.

Idioma

Hay 4 idiomas disponibles para el menú: inglés, francés, alemán, italiano.

Reset de fábrica

Puede restablecer la radio a los valores predeterminados de fábrica en cualquier momento. Una vez que se haya realizado un reinicio, se borrarán todas las configuraciones y preajustes anteriores y la radio volverá al modo DAB..

SW Version

Presione para ver la versión de firmware.

MENU PRINCIPAL DEL MODO FM

Mientras la radio está en modo FM, presione y mantenga presionado el botón <INFO / MENU> en la radio para ingresar al menú principal.

Configuración de escaneo

Hay dos tipos de escaneo disponibles. El escaneo se lleva a cabo de acuerdo con "Emisora fuerte" o "Todas las emisoras". Si se selecciona "Emisora fuerte", solo buscará los canales con una señal de recepción fuerte donde se coloque la radio. Si se selecciona "Todas las emisoras", escaneará tanto los canales fuertes como los débiles.

Ajustes de Audio

Puede elegir tener "Forzado mono" o "Estéreo permitido". Si la señal es débil y no es posible una recepción estéreo estable, seleccione "Forced Mono" para obtener una mejor recepción. Cuando se está reproduciendo una estación de FM, presione el botón <TUNE / SELECT> para acceder para cambiar la configuración de audio. Cuando aparece con, significa que es estéreo. Para seleccionar Mono, presione <TUNE / SELECT> nuevamente. El icono desaparecerá y significa que Mono está seleccionado..

Nota: Como la radio es mono, se sugiere utilizar "Forced Mono" para obtener una recepción de calidad..

System

Las opciones disponibles son las mismas que DAB. Consulte la sección DAB como se describe anteriormente.

PREGUNTAS Y RESPUESTAS

Si tiene problemas con su radio DAB, hay algunas comprobaciones rápidas y sencillas que puede hacer, que pueden ayudar a resolver el problema.

La radio no se enciende / no funciona

- Conecte el cable USB para cargar la batería e intente encender la radio nuevamente.

Sin recepción DAB

- Realice el "Restablecimiento de fábrica" en la radio y ajuste la longitud y la dirección de la antena.
- Acerque la radio a la ventana.
- Vuelva a realizar la exploración completa desde el menú principal (mantenga pulsado el botón Información / Menú).

La recepción de radio es deficiente

- Ajuste la longitud y la dirección de la antena para mejorar la recepción.
- Verifique que no tenga otros equipos eléctricos demasiado cerca de su radio, causando interferencias.

Sin sonido

- Ajuste el nivel de volumen.
- Cambie otros canales de radio y vea si hay sonido. Podría ser un problema de recepción o un problema de transmisión que no tiene sonido..

FRANÇAIS

Nous vous remercions d'avoir acheté un produit Audizio. Veuillez lire la présente notice avant l'utilisation afin de pouvoir en profiter pleinement.

Veuillez lire la notice avant toute utilisation. Respectez impérativement les instructions afin de continuer à bénéficier de la garantie. Prenez toutes les précautions nécessaires pour éviter tout incendie ou décharge électrique. Seul un technicien spécialisé peut effectuer les réparations. Nous vous conseillons de conserver la présente notice pour pouvoir vous y reporter ultérieurement.

- Avant d'utiliser l'appareil, prenez conseil auprès d'un spécialiste. Lors de la première mise sous tension, il est possible qu'une odeur soit perceptible. C'est normal, l'odeur disparaîtra peu de temps après.
- L'appareil contient des composants porteurs de tension. N'OUVREZ JAMAIS le boîtier.
- Ne placez pas des objets métalliques ou du liquide sur l'appareil, cela pourrait causer des décharges électriques et dysfonctionnements..
- Ne placez pas l'appareil à proximité de sources de chaleur, par exemple radiateur. Ne positionnez pas l'appareil sur une surface vibrante. N'obturez pas les ouïes de ventilation.
- L'appareil n'est pas conçu pour une utilisation en continu.
- Faites attention au cordon secteur, il ne doit pas être endommagé.
- Lorsque vous débranchez l'appareil de la prise secteur, tenez-le par la prise, ne tirez jamais sur le cordon.
- Ne branchez pas et ne débranchez pas l'appareil avec les mains mouillées.
- Seul un technicien spécialisé peut remplacer la fiche secteur et / ou le cordon secteur.
- Si l'appareil est endommagé et donc les éléments internes sont visibles, ne branchez pas l'appareil, NE L'ALLUMEZ PAS. Contactez votre revendeur. NE BRANCHEZ PAS l'appareil à un rhéostat ou un dimmer.
- Pour éviter tout risque d'incendie ou de décharge électrique, n'exposez pas l'appareil à la pluie ou à l'humidité.
- Seul un technicien habilité et spécialisé peut effectuer les réparations
- Branchez l'appareil à une prise secteur 220-240 Vac/50 Hz avec terre, avec un fusible 10-16 A.
- Pendant un orage ou en cas de non utilisation prolongée de l'appareil, débranchez l'appareil du secteur.
- En cas de non utilisation prolongée de l'appareil, de la condensation peut être créée. Avant de l'allumer, laissez l'appareil atteindre la température ambiante. Ne l'utilisez jamais dans des pièces humides ou en extérieur.
- Afin d'éviter tout accident en entreprise, vous devez respecter les conseils et instructions.
- N'allumez pas et n'éteignez pas l'appareil de manière répétée. Cela réduit sa durée de vie.
- Conservez l'appareil hors de la portée des enfants. Ne laissez pas l'appareil sans surveillance.
- N'utilisez pas d'aérosols pour nettoyer les interrupteurs. Les résidus créent des dépôts et de la graisse. En cas de dysfonctionnement, demandez conseil à un spécialiste.
- Ne forcez pas les réglages.
- L'appareil contient un haut-parleur pouvant engendrer des champs magnétiques. Tenez cet appareil à 60 cm au moins d'un téléviseur ou ordinateur.
- Si le produit comprend un accumulateur intégré plomb-acide, rechargez l'accumulateur tous les 3 mois en cas de non utilisation prolongée de l'appareil. Sinon, l'accumulateur pourrait être endommagé de manière permanente.
- Si l'accumulateur est endommagé, remplacez-le par un accumulateur de même type et déposez l'ancien accumulateur dans un container de recyclage adapté.
- Si l'appareil est tombé, faites-le toujours vérifier par un technicien avant de le rallumer.
- Pour nettoyer l'appareil, n'utilisez pas de produits chimiques qui abîment le revêtement, utilisez uniquement un tissu sec.
- Tenez toujours l'appareil éloigné de tout équipement électrique pouvant causer des interférences.
- Pour toute réparation, il faut impérativement utiliser des pièces d'origine, sinon il y a risque de dommages graves et / ou de radiations dangereuses.
- Eteignez toujours l'appareil avant de le débrancher du secteur et de tout autre appareil. Débranchez tous les cordons avant de déplacer l'appareil.
- Assurez-vous que le cordon secteur n'est pas abîmé si des personnes viennent à marcher dessus. Avant toute utilisation, vérifiez son état.
- La tension d'alimentation est de 220-240Vac/50 Hz. Vérifiez la compatibilité. Si vous voyagez, vérifiez que la tension d'alimentation du pays est compatible avec l'appareil.
- Conservez l'emballage d'origine pour pouvoir transporter l'appareil en toute sécurité.



Ce symbole doit attirer l'attention de l'utilisateur sur les tensions élevées présentes dans le boîtier de l'appareil, pouvant engendrer une décharge électrique.



Ce symbole doit attirer l'attention de l'utilisateur sur des instructions importantes détaillées dans la notice, elles doivent être lues et respectées.

Cet appareil porte le symbole CE. Il est interdit d'effectuer toute modification sur l'appareil. La certification CE et la garantie deviendraient caduques !

NOTE: Pour un fonctionnement normal de l'appareil, il doit être utilisé en intérieur avec une plage de température maximale autorisée entre 5°C/41°F et 35°C/95°F.



Ne jetez pas les produits électriques dans la poubelle domestique. Déposez-les dans une décharge. Demandez conseil aux autorisés ou à votre revendeur. Données techniques réservées. Les valeurs actuelles peuvent varier d'un produit à l'autre. Tout droit de modification réservé sans notification préalable.

N'essayez pas de réparer l'appareil vous-même. Vous perdriez tout droit à la garantie. Ne faites aucune modification sur l'appareil. Vous perdriez tout droit à la garantie. La garantie deviendrait également caduque en cas d'accidents ou dommages causés par une utilisation inappropriée de l'appareil ou un non respect des consignes présentes dans cette notice. Audizio ne pourrait être tenu responsable en cas de dommages matériels ou corporels causés par un non respect des consignes de sécurité et avertissements. Cela est également valable pour tous les dommages quelle que soit la forme.

DEBALLAGE

ATTENTION ! Immédiatement après réception, vérifiez le contenu du carton et assurez-vous que tous les éléments sont bien présents et en bon état. Si besoin, faites les réserves nécessaires si le matériel ou les cartons sont endommagés. Si l'appareil doit être retourné, faites-le dans l'emballage d'origine.

Si l'appareil a été exposé à des fluctuations importantes de températures (par exemple après le transport), ne l'allumez pas immédiatement. De la condensation peut survenir. Laissez l'appareil éteint le temps qu'il atteigne la température ambiante.

ALIMENTATION

Vous trouvez sur l'étiquette à l'arrière de l'appareil, le type d'alimentation à utiliser. Vérifiez que la tension d'alimentation corresponde à celle mentionnée. Toute autre alimentation peut endommager l'appareil. Reliez l'appareil au secteur, il est prêt à être utilisé. En aucun cas, vous ne devez utiliser de dimmer ou d'alimentation réglable.



Connectez toujours l'appareil à un circuit protégé (disjoncteur ou fusible). Assurez-vous que l'appareil soit correctement relié à la terre afin d'éviter tout risque d'électrocution ou d'incendie

REGLAGES

1. Affichage LCD

2. Haut-parleur

3. Antenne télescopique

4. Fiche Type-C

Port USB-C

5. Prise Aux in

Entrée ligne

6. Prise out

Sortie ligne

7. Touche Source/BT

Appuyez pour commuter entre FM/DAB/BT ou LINE IN

8. Touche Info/Menu

Appuyez et maintenez enfoncé pour accéder au menu de réglage ; appuyez brièvement pour faire défiler les informations de diffusion transmises par la station.

9. Touche TUNE-

Navigation arrière dans le menu/changement station/ changement voie.

10. Touche Power

On/off

11. Touche Mute/Snooze/Volume & Select/Enter

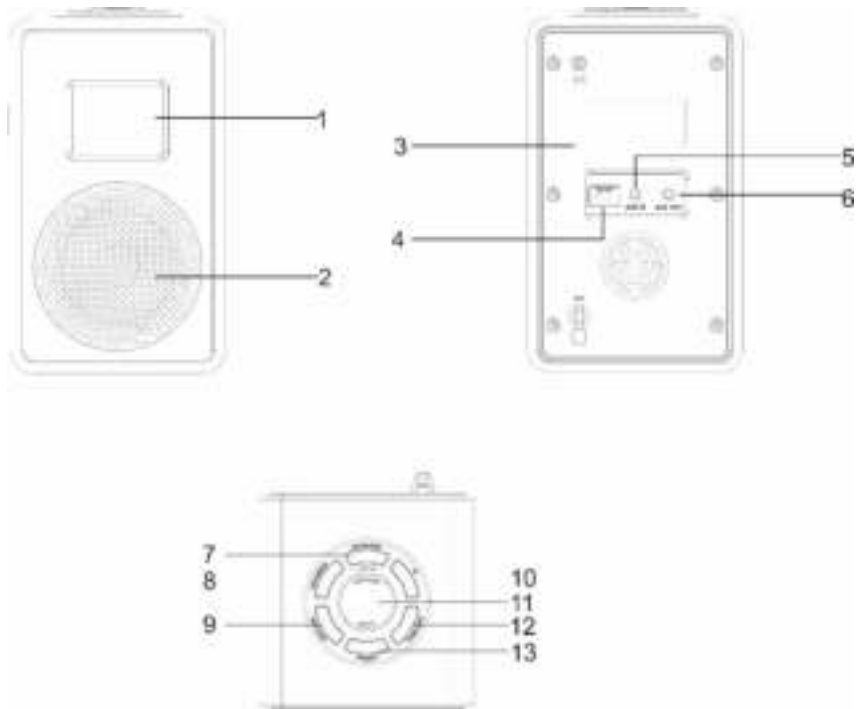
Appuyez pour conformer/ tournez pour faire défiler dans la liste ou régler les fréquences radio.

12. Touche TUNE+

Navigation avant dans le menu/ changement station/ changement voie.

13. Touche Preset

Maintenez cette touche enfoncée pour ouvrir la liste des présélections. Appuyez sur pour appeler la liste des présélections



CHARGE BATTERIE

Retirez soigneusement l'appareil et tous les accessoires de l'emballage.


Veuillez vérifier que vous disposez de tous les accessoires suivants avant de recycler le carton.

Notice

1. Reliez le cordon Type C au port Type C.

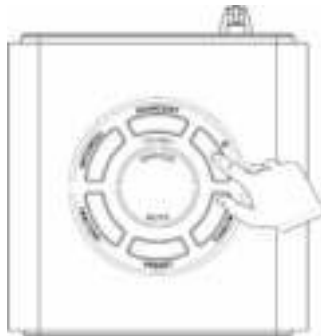



Reliez l'autre extrémité du cordon à une prise secteur en utilisant un adaptateur secteur USB. Vous pouvez également charger la batterie en reliant DAB au port USB d'un ordinateur.

L'icône  sur l'affichage indique l'état de charge de la batterie.

2. Appuyez sur la touche Power  pour allumer l'appareil. Pour l'éteindre, appuyez à nouveau sur Power .


i Avant d'allumer pour la première fois, chargez la batterie pendant 3 heures au moins.



3. Lorsque l'appareil est sur batterie, appuyez et maintenez la touche POWER  enfoncée pendant 3 secondes ou Power 'off'.

DEMARRAGE

La radio est alimentée par la batterie au lithium intégrée. Un cordon USB est fourni avec le produit pour pouvoir charger la batterie.

Appuyez sur la touche Power  sur la radio. Lors du premier allumage, la radio démarre le mode DAB. Elle recherche automatiquement toutes les stations radio disponibles.



UTILISATION

Appuyez sur la touche Source pour afficher le menu 'Source'. Tournez et appuyez sur la molette de sélection pour commuter entre les sources d'entrée.

Description

Radio DAB
Radio FM
BT
Entrée auxiliaire

Fonction

Ecoute d'une station radio digitale.
Ecoute d'une station radio FM.
Ecoute d'un appareil BT
Ecoute d'un contenu depuis un appareil relié à votre branchement Aux in

Lorsque vous écoutez une radio digitale ou FM, vous pouvez modifier l'information affichée sur l'écran.

Radio digitale

Lorsque vous écoutez la radio digitale, appuyez sur la molette de sélection pour basculer les informations affichées à l'écran entre Texte défilant, Type de programme, Ensemble, canal / fréquence, Puissance du signal / erreur, débit binaire ou date. Pendant l'écoute, vous pouvez également appuyer sur la molette Select et la maintenir enfoncée pour commuter les indications de l'écran entre " Now playing ", une version plein écran de la maquette de la station de radio et un écran qui affiche des informations sur l'émission en cours de diffusion ainsi que la maquette de la station de radio.

Radio FM

Lorsque vous écoutez la radio FM, appuyez sur la touche INFO pour commuter l'information affichée sur l'écran entre texte défilant, type programme, stéréo/mono et date.

Ecoute d'une radio digitale ou FM

1. Appuyez sur la touche Source ; tournez et appuyez sur la molette Select pour sélectionner "DAB radio" depuis l'écran de base.
2. Lorsque vous sélectionnez la radio DAB pour la première fois, le DAB effectue une recherche automatique de toutes les stations disponibles et en règle une.



3. Appuyez sur la touche Menu et maintenez-la enfoncée pour sélectionner une liste.
4. Appuyez sur SELECT pour changer de station.



Changement stations FM

Réglage automatique

1. Appuyez sur la touche Source et tournez et appuyez sur la molette Select pour sélectionner "Radio FM" sur l'écran d'accueil.
2. Appuyez sur la molette Select pour rechercher la prochaine station de radio FM dont le signal est puissant.

Réglage manuel

1. Appuyez sur la touche Source et tournez et appuyez sur la molette Select pour sélectionner "Radio FM" dans l'écran d'accueil.
2. Appuyez et maintenez enfoncée Select pour passer en mode de réglage manuel.
3. Tournez la molette Select pour augmenter ou diminuer de 0,05 MHz.

UTILISATION DES PRESETS RADIO

Vous pouvez mémoriser jusqu'à 40 stations DAB et 40 stations FM pour un accès rapide.

Mémoriser un preset

1. Réglez la station que vous voulez mémoriser comme preset.
2. Appuyez sur la touche Preset et maintenez enfoncée pour visualiser la liste.
3. Tournez la molette Select et maintenez-la enfoncée pour mémoriser la station dans un des emplacements disponibles.

Ecouter un preset

1. Appuyez sur la touche Preset pour afficher la liste des presets.
2. Tournez la molette Select et maintenez-la enfoncée pour sélectionner le preset à écouter.



UTILISATION ENTREE AUXILIAIRE

Vous pouvez utiliser l'entrée auxiliaire pour lire la musique depuis votre téléphone ou tablette.

Connexion d'un appareil auxiliaire

Connectez la sortie ligne ou la prise casque de votre appareil auxiliaire à la prise Aux In à l'aide d'un câble approprié.

Sélection de l'entrée auxiliaire

Appuyez sur Source, puis tournez et appuyez sur la molette Select pour sélectionner " Entrée auxiliaire " dans l'écran d'accueil. Sur votre appareil auxiliaire, commencez à lire le contenu que vous avez sélectionné sur votre appareil auxiliaire.

LECTURE BT

Vous pouvez utiliser la technologie BT pour vous connecter sans fil à un appareil, tel qu'un téléphone portable ou une tablette. Vous pouvez ensuite diffuser de la musique à partir de votre téléphone mobile ou de votre tablette.

La première fois que vous connectez un périphérique BT, vous devez l'appairer. Une fois que vous avez apparié un appareil, il le mémorise pour la prochaine fois.

Lecture d'un appareil BT

1. Appuyez sur Source pour sélectionner "BT".
2. Sur votre appareil BT Audizio, activez la fonction BT et connectez-vous.
3. Sélectionnez votre chanson préférée, appuyez sur le bouton BT PLAY de votre appareil BT ou sur le bouton BT PLAY de l'Audizio pour lire ou mettre en pause la chanson depuis votre appareil BT.
4. Si vous souhaitez relier la radio à un autre appareil BT, appuyez sur la touche d'appairage BT pendant quelques secondes. Le mot "connected" clignote. La radio passe en mode Pairing/Discoverable. Répétez les étapes 3 et 4

Remarque : pour plus d'informations, consultez le manuel d'utilisation de votre appareil BT. Si vous êtes invité à saisir un code d'accès, saisissez 0000.

Déconnexion d'un périphérique BT

Pour déconnecter un appareil BT, effectuez l'une des opérations suivantes :

Appuyez sur Source pour passer à la radio numérique ou à la radio FM. Désactivez la fonction BT sur l'appareil connecté.

MENU PRINCIPAL MODE DAB

Lorsque vous écoutez une station de radio DAB, appuyez et maintenez la touche <INFO/MENU> pour accéder au menu principal comme suit :

Veillez noter que si aucune opération n'est effectuée dans les 30 secondes, la radio reviendra au dernier mode de lecture.

Remarque : Pour quitter / revenir au dernier niveau de menu, appuyez sur <INFO/MENU>.

Liste de stations :

Vous donne une liste de toutes les stations DAB trouvées.

Full Scan

Appuyez pour scanner les stations DAB.

Réglage manuel

Appuyez pour accéder au réglage manuel : vous pouvez choisir la fréquence de 5A à 13F et effectuer manuellement une recherche dans la fréquence disponible.

Prune

Il se peut que certains services DAB cessent d'émettre ou que vous ne puissiez pas recevoir une station. Sélectionnez "oui" pour supprimer de votre liste de stations les stations DAB qui ne peuvent plus être reçues.

DRC

Le contrôle de la plage dynamique (également connu sous le nom de DRC) permet de mieux entendre les sons plus faibles lorsque votre radio est utilisée dans un environnement bruyant. Cette fonction est uniquement disponible pour la DAB.

DRC Off - Pas de compression

DRC Low - Compression moyenne

DRC High - Compression maximale

Si vous réglez la compression au maximum, les sons les plus faibles seront "boostés", tandis que les sons les plus forts resteront à leur niveau d'origine.

Système

Thème

Vous pouvez choisir entre 6 thèmes différents pour votre radio

Sleep

Réglage de la minuterie de veille. La radio se met en veille à l'heure prévue.

Vous pouvez choisir 15 minutes, 30 minutes, 45 minutes, 60 minutes et 90 minutes.

Utilisez <Tune/Select> pour choisir et appuyez sur <Tune/Select> pour confirmer.

Si vous souhaitez annuler la fonction de minuterie de sommeil, sélectionnez "Off" dans le menu.

Réglage alarme

1. Appuyez sur le bouton Alarme pour sélectionner "Alarmes".
2. Dans le menu "Alarme", tournez et appuyez sur la molette pour sélectionner "Alarme 1" ou "Alarme 2".
3. Appuyez sur Select pour activer l'alarme.
4. Tournez et appuyez sur le Select pour modifier la 'Fréquence'.
5. Sélectionnez 'Wake Up time' en tournant et en appuyant sur Select, tournez le bouton pour régler les heures et les minutes, appuyez sur Select pour confirmer chaque section.
6. Tournez et appuyez sur le bouton de sélection pour sélectionner 'Source'. Tournez et appuyez sur le bouton de sélection pour choisir entre "Buzzer ", " Digital Radio " ou " FM ", puis appuyez sur le bouton Select pour confirmer.
7. Si vous avez choisi 'Digital Radio' ou 'FM', tournez et appuyez sur le bouton Select pour sélectionner 'Preset'. Pour écouter la dernière station que vous avez écoutée, tournez et appuyez sur le bouton Select pour sélectionner 'Last listened' ou tournez et appuyez sur le bouton Select pour choisir une station de radio dans la liste des présélections. Remarque : sautez cette étape si vous réglez une alarme sonore.
8. Tournez et appuyez sur Select pour sélectionner 'Durée'. Tournez et appuyez sur Select pour définir la durée de l'alarme en minutes.
9. Tournez et appuyez sur Select pour sélectionner "Volume". Tournez et appuyez sur Select pour régler le volume de l'alarme.

Répétition d'une alarme sonore

Pour faire taire une alarme sonore, appuyez sur la molette Select. L'écran affiche un compte à rebours indiquant la durée de la répétition de l'alarme. Pour régler la durée, appuyez sur la molette Select pour modifier la durée de la répétition du réveil par intervalles de 5 minutes jusqu'à 15 minutes, puis 30 minutes. Pour annuler une alarme de répétition de réveil, appuyez sur Marche/Arrêt.

Remarque : n'utilisez les fonctions d'alarme que lorsque vous êtes connecté au réseau électrique.

EQ

Ici, vous pouvez choisir le type d'égaliseur qui vous convient ou créer vos propres paramètres d'égalisation.

Heure/date

Quatre réglages sont possibles :

1. Réglage heure/date : l'utilisateur peut régler manuellement l'heure et la date actuelles.
2. Update auto : cette fonction règle automatiquement l'heure et la date de la radio avec les données envoyées par la diffusion de station FM ou DAB. Vous pouvez choisir "No Update" : la radio ne recevra pas de données sur l'heure.
3. Réglage 12/24 heures : pour chanter le format de l'horloge : 12 heures ou 24 heures.
4. Réglage format date. : pour changer le format de la date de JJ/MM/AAAA ou MM/JJ/YYYY.

Note :

La mise à jour automatique de l'heure et de la date en FM peut ne pas fonctionner dans votre région, il est donc recommandé d'utiliser l'option de mise à jour automatique en DAB.

Rétro-éclairage

Vous pouvez choisir trois niveaux de luminosité : fort, moye, bas.

1. Timeout : Cette option permet de définir la durée pendant laquelle vous souhaitez que le rétroéclairage de votre écran reste allumé lorsque votre radio est en cours de lecture sans qu'aucune opération ne soit effectuée.

Les options disponibles sont : On /10sec /20sec /30sec /45sec /60sec /90sec /120 sec /180 sec.

Sélectionnez "On" pour que le rétroéclairage de votre radio reste allumé en permanence, sans diminution de l'intensité lumineuse, que ce soit en fonctionnement ou en veille. Si vous sélectionnez un intervalle de temps spécifique, l'écran s'éteindra après l'écoulement de la période sélectionnée.

2. Niveau On : Vous avez le choix entre 3 niveaux : élevé, moyen et faible. Cette option détermine la luminosité du rétroéclairage de l'écran lorsque la radio fonctionne.
3. Niveau Dim : Le niveau de gradation peut également être réglé sur High, Medium et Low. Il permet de déterminer la luminosité du rétroéclairage de l'écran lorsqu'il est réduit.

Langue

Il y a 4 langues disponibles pour le menu, anglais, français, allemand, italien.

Réinitialisation réglages usine

Vous pouvez réinitialiser la radio sur les paramètres d'usine par défaut à tout moment. Une fois la réinitialisation effectuée, tous les paramètres et pré-réglages précédents sont effacés et la radio repasse en mode DAB.

Version SW

Appuyez pour visualiser la version du firmware.

MENU PRINCIPAL DU MODE FM

Lorsque la radio est en mode FM, appuyez sur <INFO/MENU> et maintenez enfoncé pour accéder au menu principal.

Réglage Scan

Deux types de balayage sont disponibles. Le balayage est effectué en fonction de "Strong station" ou "All station". Si "Strong station" est sélectionné, le balayage ne porte que sur les canaux à fort signal de réception à l'endroit où la radio est placée. Si "Toutes les stations" est sélectionné, le balayage s'effectue à la fois sur les canaux à fort et à faible signal.

Réglage automatique

Vous pouvez choisir d'avoir "Forced Mono" ou "Stereo allowed". Si le signal est faible et qu'une réception stéréo stable n'est pas possible, sélectionnez "Forced Mono" pour obtenir une meilleure réception. Lorsqu'une station FM est en cours de lecture, appuyez sur <TUNE/SELECT> pour accéder à la modification du réglage audio. Lorsqu'il apparaît, cela signifie qu'il s'agit de stéréo. Pour sélectionner Mono, appuyez à nouveau sur <TUNE/SELECT> L'icône disparaît, Mono est sélectionné.

Note : Comme la radio est mono, il est suggéré d'utiliser "Forced Mono" pour obtenir une réception de qualité.

Système

Les options disponibles sont les mêmes que pour la DAB. Reprenez-vous à la section DAB comme décrit ci-dessus.

QUESTIONS/REPONSES

Si vous rencontrez des problèmes avec votre radio DAB, vous pouvez effectuer quelques vérifications rapides et faciles qui peuvent vous aider à résoudre le problème.

La radio ne s'allume pas/ne fonctionne pas

- Connectez le cordon USB pour charger la batterie et essayez à nouveau d'allumer la radio.

Pas de réception DAB

- Effectuez la "réinitialisation d'usine" de la radio et ajustez la longueur et la direction de l'antenne.
- Déplacez la radio près de la fenêtre.
- Effectuez à nouveau un balayage complet à partir du menu principal (appuyez sur la touche Info/Menu et maintenez-la enfoncée).

Réception radio mauvaise

- Veuillez ajuster la longueur et la direction de l'antenne pour améliorer la réception.
- Vérifiez que vous n'avez pas d'autres appareils électriques trop proches de votre radio, qui pourraient causer des interférences.

Pas de son

- Réglez le niveau du volume.
- Changez de chaîne radio et voyez si le son est présent. Il se peut que ce soit le problème de réception ou de diffusion qui n'ait pas de son.

**TECHNICAL SPECIFICATION / TECHNISCHE SPECIFICATIE / TECHNISCHE DATEN /
SPECIFICACIONES TÉCNICAS / SPÉCIFICATIONS TECHNIQUES**

Playback options	BT streaming, DAB+ tuner, FM radio
Input connections	3.5mm Jack Input connections
Output connections	3.5mm Jack output connections
Impedance	4 Ohm
Battery	3.7V - 2Ah
Power supply	5V via USB
Dimensions (L x W x H)	125 x 125 x 200mm
Weight	0,85

The specifications are typical. The actual values can slightly change from one unit to the other. Specifications can be changed without prior notice.

The products referred to in this manual conform to the European Community Directives to which they are subject:

- Low Voltage (LVD) 2014/35/EU
- Electromagnetic Compatibility (EMC) 2014/30/EU
- Radio Equipment Directive (RED) 2014/53/EU
- Restriction of Hazardous Substances (RoHS) 2011/65/EU



Specifications and design are subject to change without prior notice.

www.audizio.com

Copyright © 2021 by Tronios The Netherlands