

NOTICE

1. Do not keep the product within reach of infants and young children
2. Do not expose the product in high temperatures or direct sunlight.
3. Do not disassemble or modify the product.
4. Do not look directly at the LED light source when lighting.
5. Never open the base unless you are disposing of the product
6. Please disconnect the product immediately if you feel smoke or something burning.
7. Do not place the product on unstable or inclined surfaces.
8. Please disconnect the AC adapter and USB cable when the product can not be used for a long time
9. Use and store products between 0°C and 40°C.
10. Always supply power within the rated voltage range of the AC adapter(100 to 240VAC).
11. Do not leave the product outdoors for along time to avoid damage from weather and strong sunlight.
12. Please wipe the lamp with soft and dry cloth. Do not wipe it with wet towel.
13. Please use this product strictly according to the above requirements.

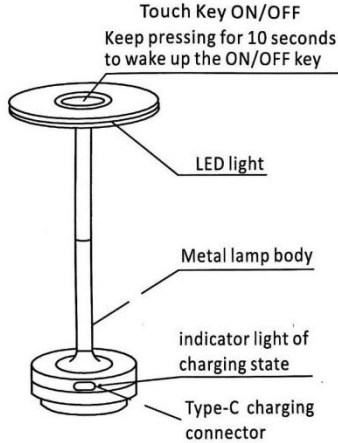


Portable LED TABLE LAMP INSTRUCTIONS

Thank you for buying our products.

Please read this instruction carefully before using this product.

Install steps:



Warm prompt

After a long period of no use, the battery will consume its stored power. Please charge it before use.

Product Parameter

Touch Switch: 3-color-changing

(white light, warm light, natural light)

+ stepless dimming

About 700mm effective illuminated area

Color: gold/silver/black

Color Temperature:3000-6000K

Weight: 0.7kg

Color rendering index: Ra90

Battery Capacity:1800-5200mAh

Rated Power:LED*5W

Lamp Body Material: aviation
aluminum alloy

Input Voltage: 5V

Output Voltage: 4.2V

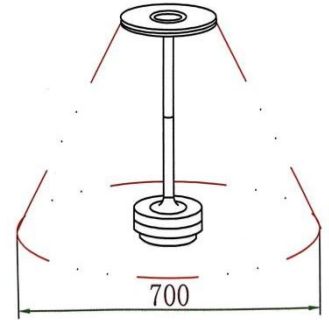
Rated Endurance:About 6-8-10hours

Charging Time:About 4-6 hours

Size: ϕ 130mm*280mm

Warranty period: one year

About 700mm effective illuminated area



List of articles

- 1.Portable LED table lamp *1
- 2.Type C data cable*1
- 3.Product Instruction *1