



## USER MANUAL

Manuale d'uso / Gebrauchsanweisung / Handleiding / Manuel d'utilisation

EN

IT

DE

NL

FR

## ELECTRIC WATER HEATER

Scaldacqua elettrico / Elektrowarmwasserspeicher /  
Electrische boiler / Chauffe-eau électrique

Series / Serie / Serie / Serie / Séries

## CO Comfort Wi-Fi

Models / Modelli / Modelle / Modellen / Des modèles

- 
- CO30VW Comfort Wi-Fi
  - CO50VW Comfort Wi-Fi
  - CO50HW Comfort Wi-Fi
  - CO80VW Comfort Wi-Fi
  - CO80HW Comfort Wi-Fi



## **BEFORE THE FIRST USING YOUR ELECTRIC STORAGE WATER HEATER, CAREFULLY READ THIS OPERATION MANUAL**

### **DEAR CUSTOMER!**

Congratulations on your purchase of an electric water heater TTULPE.

Water heaters TTULPE are designed and manufactured in strict accordance with domestic and international standards guaranteeing operation reliability and safety.

Present manual applies to TTULPE models of CO Comfort Wi-Fi. The full name of the model of your heater is specified in "Manufacturer's warranty" section (sub-section "Note of sale") and in the marking plate on the heater casing.

### **1. APPLICATION**

Electric water heater (hereinafter referred to as the EWH) is designed to provide with hot water for domestic and industrial facilities having a cold water supply line pressure of not less than 0.05 MPa and not more than 0.7 MPa.

EWH shall be operated indoors in heated spaces and it is not designed for operation in continuous flow mode.

### **2. SCOPE OF SUPPLY**

Water heater	- 1 pcs.
Safety valve of GP type	- 1 pcs.
Operation manual	- 1 pcs.
Anchors for fastening (option)	- 1 set
Packaging	- 1 pcs.

### **3. MAIN TECHNICAL CHARACTERISTICS**

EWH power supply shall be within the range of  $230\text{ V} \pm 10\%$ . Supply network frequency  $50\text{ Hz} \pm 1\%$ . Volume of the inner tank and heating element power are specified in the marking plate on the casing. Thread diameter in water inlet and outlet pipes - G1/2".

The manufacturer reserves the right to make changes to the design, complete set and specifications of the heater without prior notice.

Model	EWH useful volume, l	Average heating time T = 45° C at 2 kW	Installation
CO30VW Comfort Wi-Fi	25	0 h 39 min.	vertical
CO50VW Comfort Wi-Fi	42	1 h 06 min.	vertical
CO80VW Comfort Wi-Fi	67	1 h 45 min.	vertical
CO50HW Comfort Wi-Fi	42	1 h 06 min.	horizontal
CO80HW Comfort Wi-Fi	67	1 h 45 min.	horizontal

#### 4. DESCRIPTION AND PRINCIPLE OF OPERATION

The outside casing of the EWH is made of impact-resistant plastic. Inner tanks have a special bio-glass-porcelain coating reliably protecting the inner surface against chemical corrosion. The space between the outside casing and the inner tank is filled with polyurethane foam - a modern, ecologically clean thermal insulation, which has the best heat-saving characteristics. CO Comfort Wi-Fi models have two screwed nozzles: for inlet of cold water (Fig. 1, p. 3) with a blue ring and for outlet of hot water (Fig. 1, p. 2) — with a red ring, and equipped with an additional drain connection (closed with metal plug button) for draining the water and flushing the inner tank (Fig. 1, p. 17). The control panel, in all models, is on the front side of the EWH. (Fig. 1, p. 16).

Tubular heating element (THE), thermostat and thermal switch sensors are mounted on the removable flange. THE is used to heat water and thermostat provides with possibility of heating temperature regulation up to +65°C. All models have electronic control with sensor adjustment. Electronics maintain automatically water temperature at the level set by the user. The thermostat is used for protecting against EWH overheating, which disconnects THE from power supply when water temperature exceeds 95°C. (Fig. 3).

Safety valve (Fig. 1, p. 5) operates as the check valve, ensuring protection of the water ingress from the water heater into the sewage system in case of pressure drop in the sewage system and in case of pressure rise in the tank at high water heating, as well as the functions of the safety valve, releasing overpressure in the tank at high water heating. During water heater operation water may leak out of the exhaust outlet pipe of the safety valve to relieve excessive pressure, which is made for the purpose of water heater safety. This outlet pipe shall remain open to the atmosphere and be installed constantly down.

Drainage of water from the safety valve exhaust pipe into the drain shall be provided with installation of the corresponding EWH drainage.

It is required regularly (at least once a month) to discharge a small amount of water through the exhaust pipe of the safety valve into the drain to remove lime deposits and to test the operating functionality of the valve. Handle (Fig. 1, p. 15) is intended to open the valve. It is necessary to control when operating water heater this handle to be in position closing water draining from the tank.

## 5. SPECIFYING SECURITY MEASURES

Electrical safety and corrosion protection of EWH are guaranteed only if there is an effective grounding in accordance with applicable electric installation rules and regulations.

Plumbing pipes and fittings shall conform to parameters of water main and have the required certificates of quality.

When installing and operating EWH the following is not allowed:

- To power EWH if EWH is not filled with water.
- To remove the protective cover when the power is on.
- Use EWH without grounding or use water pipes as grounding.
- To connect EWH to water supply with pressure exceeding 0.7 MPa.
- To connect EWH to the water supply without safety valve.
- To drain water from EWH with power switched on.
- To use spare parts not recommended by the manufacturer.
- To use water from the EWH for cooking.
- To use water containing impurities (sand, small stones), which might lead to EWH and safety valve breakdown.
- To modify design and installation dimensions of EWH brackets.

Ambient temperature shall be within the range of 5°C to 40°C. Water in freezing EWH at negative temperatures results in malfunction, which is not a warranty case.

**Attention should be paid to children so that they do not play with EWH. EWH is not intended for use by persons (including children) with limited physical, sensory or mental capabilities, or by persons who do not know how to use the EWH, except for cases when this happens under the supervision or instructions by persons responsible for safety of the EWH.**



During EWH operation, it shall be inspected regularly for proper health (absence of dripping, burning smell, wiring sparks, etc.). In the case of long interruptions in water heater operation, water supply failures, EWH shall be disabled and cold water inlet valve shall be shut off.

## 6. INSTALLATION AND CONNECTION

All installation, plumbing and electrical works shall be performed by qualified personnel.

## 7. ARRANGEMENT AND INSTALLATION

All installation, plumbing and electrical works shall be performed by qualified personnel.

EWH installation shall be performed in accordance with marking on the housing.

It is recommended to install EWH as close as possible to the place of hot water using to reduce heat loss in the pipes.

When choosing the place of installation it should be taken into account the total weight of EWH filled with water. Walls and floor with low carrying capacity should be strengthened accordingly. When drilling (making) holes in the wall consider cables, ducts and pipes in the wall.

EWH is suspended by brackets on hook anchors fixed in the wall. Hooks mounting on the wall shall exclude spontaneous movement of EWH brackets along them.

The manufacturer bears no liability for EWH falling associated with improper installation of anchors and their selection.

For EWH maintenance the distance from the protective cover to the nearest surface in the direction of the removable flange axis shall be at least 30 cm for all models.



**In order to avoid damage of the user's and/or third parties' property in the event of a faulty hot water system, it is required to install EWH in spaces with waterproofing and drainage to the sewers, and in no case to place under items exposed to the water under EWH. When placed in unprotected areas a protective plate (not supplied) with drainage into sewers shall be installed under the EWH.**

In case of placing EWH in hard-to-reach places in order to perform maintenance and warranty service (mezzanine floors, niches, ceiling voids, etc.), installation and dismantling of EWH is carried out by the user on his own or for his own account.

Note: safety tray is not included into the scope of EWH supply.

## 8. CONNECTION TO WATER MAINS

Cold water shall be supplied to EWH using pre-filter with water treatment level not less than 200  $\mu\text{m}$ .

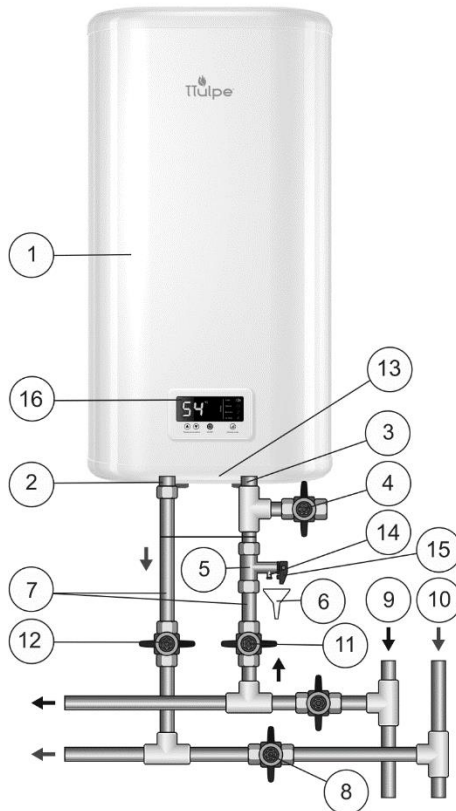
Install pressure relief valve (Fig. 1, p.5) at the cold water inlet (Fig. 1, p. 3) tube with the blue ring, by 3.5-4 turnings, ensuring junction tightness with any sealing material (flax, FUM tape, etc.).

During EWH operation you can observe water leak out of the outlet pipe of the safety valve for excessive pressure release to ensure safety of the water heater. It is recommended to connect to a drainage hole a rubber or silicone pipe of the relevant diameter for moisture removal.

Connection to the water supply line shall be carried out in accordance with Fig. 1 using copper, plastic pipes or special flexible sanitary wiring. Do not use any used flexible wiring. It is recommended to supply water to EWH through filter installed on the cold water main (not included in the scope of supply).



**Do not use used flexible feed pipes. Do not operate the EWH without safety valve or with valve made by other manufacturers.**



**Figure 1. EWH connection diagram to water supply**

**Figure 1:** 1 – EWH, 2 – hot water pipe, 3 – cold water pipe, 4 – drain valve (not in the scope of supply), 5 – safety valve, 6 – drainage (not in the scope of supply), 7 – feed pipe, 8 – shut off valve when EWH operation, 9 – cold water main, 10 – hot water main, 11 – cold water shut-off valve, 12 – hot water shut-off valve, 13 – protective cover, 14 – exhaust pipe of the safety valve, 15 – handle for opening pressure relief valve, 16 – control panel.

After connecting EWH make sure that cold water shut-off valve is open and hot water shut-off valve (Fig. 1, p. 8) is closed. Open cold water tap in EWH (Fig. 1, p. 11), hot water outlet valve (Fig. 1, p. 12) and hot water tap on mixer to ensure outflow of air from the EWH. When the final EWH filling, water will continuously flow out of mixer tap. When connecting EWH in places not provided with water supply it is permitted to supply water in EWH from auxiliary tank using pumping station, or from reservoir placed at a height of not less than 5 meters over the top of EWH.

**Note:** for ease of maintenance during EWH operation it is recommended to install drain valve (Fig. 1, p.4) in accordance with Fig. 1 (for models not equipped with drainage pipe. (not in the scope of EWH supply)).

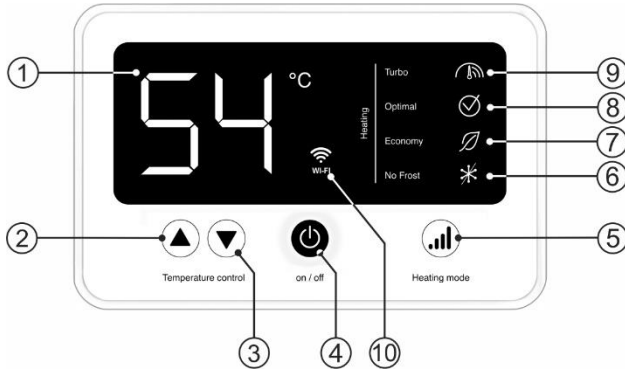
If the water pressure exceeds 0.7 MPa, at EWH cold water inlet, before the safety valve (in the direction of water flow), the appropriate pressure reducing valve (not supplied with the EWH) shall be installed to reduce water pressure to standard.

## 9. CONNECTION TO POWER SUPPLY

Prior to the water heater connection to electrical network, make sure its parameters complies with the technical specifications of the water heater.

**ATTENTION!** Prior to power activation make sure EWH is filled with water!

Water heater shall be earthed to ensure safe operation. EWH is equipped with the stationary power cable (option) with Europlug (option). Power outlet shall have an earth terminal with the connected earthing wire and located in the area protected from moisture, or comply with the requirements not less than 1PX4.



**Figure 2. Electronic control board**

**Figure 2:** 1 – LCD display, 2 – button «▲» Temperature control / increasing the heating temperature, 3 – button «▼» Temperature control / decreasing the heating temperature, 4 – button «on/off» / switch on/switch off, 5 – button «Heating mode» / setting the heating power, 6 – “No Frost” mode indication, 7 – indication «Economy» / minimum power, 8 – indication «Optimal» / conventional power, 9 – indication «Turbo» / maximum power, 10 – Wi-Fi feature.

Switching on/switching off of the EWH is performed by pressing the central button «on/off» (Fig. 2, p. 4), while the display shows the preselected heating temperature. After 2.5 seconds, the display shows the current water temperature in the EWH. Selection of the heating power is performed by pressing the button «Heating mode» (Figure 2, p. 5), on the control panel. Mode 2 kW is accompanied by the indication of a control lamp «Turbo» (Fig. 2, p. 9), 1,3 kW is accompanied by the indication of a control lamp «Optimal» (Fig. 2, p. 8), and 0,7 kW is accompanied by the indication of a control lamp «Economy» (Fig. 2, p. 7). Antifreeze mode is accompanied by the indication of a control lamp «No Frost» (Fig. 2, p.6).

During the operation of the EWH, the user can adjust the temperature of the water heating using two buttons «▲» «▼» Temperature control (Fig. 2, p. 2 and p. 3).

If you do not use the EWH in the winter time and there is a possibility of freezing of the main waterways and the water heater itself, it is recommended to turn off the power and drain the water from the EWH in order to avoid damage to the inner tank.

For control from a mobile device water heater has Wi-Fi function.

1. Install app "Tuya Smart" from GooglePlay or AppStore. Create an account.
2. Go to the section "Large Home Appliances"
3. Select "Boiler (Wi-Fi)"
4. Connection is made when the appliance is switched off (in the standby



mode).

5. Press and hold UP  $\Delta$  and DOWN  $\nabla$  buttons simultaneously until the wireless connection icon starts to flash on and off on the display
6. Right after this touch "Add an appliance" button in Tuya Smart app
7. In application "Tuya Smart":
  - next follow the instructions of application.

Failures:

- make sure Wi-Fi function is enabled on your mobile device
- make sure you are connected to the Internet network 2.4 GHz

If there are any failures of wireless control through Wi-Fi, make sure that the Wi-Fi network is functioning, the Internet connection is available and Tuya Smart app works correctly. Please contact your Internet provider to fix the Wi-Fi network failures and contact the app developer to remedy the app operation bugs if any.

## 11. TECHNICAL MAINTENANCE

When performing maintenance scale on THE is checked. At the same time residue that may accumulate in the bottom of the EWH is removed. If there is scale on THE, it can be removed by using scale removing means or mechanically. It is recommended to hold the first technical maintenance after a year from the time of connection by experts of a specialized organization and depending on intensity of scale and residue to determine intervals of follow-up maintenance. This action will extend the maximum EWH service life.

The first replacement of the magnesium anode shall be made no later than 12 months from the date of EWH installation. In case of no mark of installation in warranty certificate with the seal of installation company, the period is calculated from the date of purchase. Regular periodic maintenance and annual replacement of the magnesium anode in time is imperative to maintain the manufacturer's warranty. Replacement of the anode must be accompanied by a mark in the warranty card in case of replacement by a service organization, or an attached sales receipt for its purchase in case of replacement by the owner.



**ATTENTION: accumulation of scale on TEH may cause its damage .**

Note: Damages to THE due to scale formation are not subject to warranty. Regular maintenance is not included in the warranty of the manufacturer and the seller.

The following shall be carried out for maintenance:

- Turn off EWH power;
- Cool hot water or discharge it through the mixer;

- Cut off supply of cold water into EWH;
- Unscrew the relief valve or open drain valve;
- To put on the cold water supply inlet or discharge valve a rubber hose, sending the other end down the drain;
- Open hot water tap on mixer and drain water from the EWH through the hose;
- Remove the protective cover, disconnect wires, unscrew and remove from the casing the removable flange;
- Clean if necessary THEs from scale and remove residue from the tank;
- Assemble, fill the EWH with water and power on.

In models with drain pipe, it is enough to cut off the flow of cold water into the EWH, unscrew the drain stub on drain pipe and open hot water tap. Once the water is discharged, you can open for a while cold water supply in EWH for additional tank washing.

When conducting EWH maintenance by forces of specialized organization mark with the seal of organization performing maintenance shall be made in service coupon.

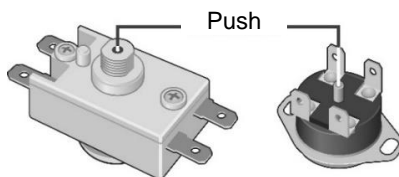
## 12. POSSIBLE FAULTS AND REMEDIES.

<b>Malfunction</b>	<b>Possible cause</b>	<b>How to fix</b>
Hot water pressure from EWH decreased. Cold water pressure keeps at the level.	Clogged inlet safety valve	Remove the valve and clean it in water
Heating time increased	THE is covered with a layer of sludge	Remove the flange and clean the THE
	Supply voltage decreased	Contact power main operation service
Frequent tripping of thermal switch	The set temperature is close to the limit	Set lower value of water heating temperature
	Thermostat tube is covered with sludge	Take out the EWH the removable flange and gently clean the tube from scale
EWH operates but is not heating water	Valve (Fig. 1, p.8) is not closed or out of order	Close or replace the valve (Fig. 1, p. 8)

<p>Powered EWH does not heat water. No backlights of indicator lamps.</p>	<p>1) no voltage in electric network; 2) damaged power cord. 3) Thermal switch actuated and not switched on</p>	<p>1) Check voltage at the electrical outlet; 2) Contact a qualified service center. 3) Disconnect from the power supply, remove EWH protective cover, press the button on thermal switch until you hear a click (fig. 2) install the cover and turn on the power</p>
---	---	---

These faults are not defects of EWH and shall be fixed by the consumer or by a specialized organization at his own expense.

In case of failure to fix problems using the above recommendations or in case of others problems revealing you should contact the authorized service center listed in the operation manual.



**Figure 2.** Thermal switch arrangement diagram

### 13. TRANSPORTATION AND STORAGE OF ELECTRIC WATER HEATERS

Transportation and storage of electric water heaters shall be carried out in accordance with manipulation marks on the packaging:



– need to protect the goods from moisture



– fragile, delicate handling



– recommended storage temperature range from +5° to +40° C



– correct vertical position of cargo;

## 14. DISPOSAL

When complying with the rules of EWH installation, operation and maintenance and when water quality complying with current standard the manufacturer sets EWH lifespan of 9 years from the date of purchase.

All parts of the heater are made of materials allowing, where appropriate, environmentally sound disposal which must be made in accordance with the rules and regulations of the country where the water heater is operated.

When disposing of the EWH comply with local environmental laws and guidelines.

The manufacturer reserves the right to make changes to the design and specifications of the heater without prior notice.

## 15. MANUFACTURER'S WARRANTY

The manufacturer sets 2 years as the period of warranty for water heater, and warranty period for parts and components is as follows:

- for water containing tank (inner tank) - 5 years;
- for other components (heating element, thermostat, indicator lights, gaskets, temperature indicator, pressure relief valve) - 2 years.

The warranty period is calculated from the date of EWH sale. If there is no or corrected date of sale and shop stamp, the warranty period is calculated from the date of EWH manufacture. Claims within the warranty period are accepted only on presentation of the warranty card with marks of the seller, and the identification plate on the casing of the EWH. Release date of a water heater is encoded in a unique serial number, located on the identification plate on the casing. EWH serial number consists of thirteen digits. The third and fourth digits of the serial number are year of manufacture, the fifth and sixth digits - month of release, the seventh and eighth digits - day of EWH release. Claims within the warranty period are accepted only on presentation of the guarantee card with marks of the seller, and the identification plate on the casing of the EWH.

The warranty shall apply to EWH only. Responsibility for compliance with principles of installation and connection shall be borne by the buyer (in case of connection by his own) or by the installer carrying out connection.

The first replacement of the magnesium anode shall be made no later than 12 months from the date of EWH installation. In case of no mark of installation in warranty certificate with the seal of installation company, the period is calculated from the date of purchase. Regular periodic maintenance and annual replacement of the magnesium anode in time is imperative to maintain the manufacturer's warranty. Replacement of the anode must be accompanied by a mark in the warranty card in case of replacement by a service organization, or an attached sales receipt for its purchase in case of replacement by the owner.

The manufacturer shall not be liable for defects due to violations of principles of installation, operation and maintenance of EWH set forth herein, including in cases where these defects have arisen due to invalid parameters of mains (electricity and water), where EWH is operated, and due to the intervention of a third party. Manufacturer's warranty does not cover claims for appearance of EWH.

**16. INFORMATION ON THE MANUFACTURER**

**Manufacturer:**



**THERMEX heating Technology (Jiangmen) CO., Ltd**

No. 51, Jianshedonglu , Taoyuan town, Heshan City, Guangdong Province, China

ZIP: 529725

All models have been certified and comply with requirements of European Directives.

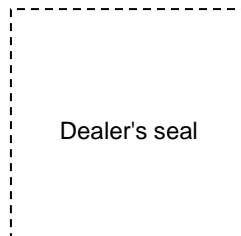
**NOTE OF SALE**

Model \_\_\_\_\_ Serial No. \_\_\_\_\_

Date of sale \_\_\_\_\_, 20 \_\_\_\_\_ .

Dealer: \_\_\_\_\_

Dealer's representative  
signature \_\_\_\_\_



The product is completed; I have no claims for the appearance of the product. Operation manual with the necessary marks is received. I have read, understood and accepted operation rules and warranty terms.

Customer's signature: \_\_\_\_\_



## **PRIMA DEL PRIMO USO DELLO SCALDACQUA LEGGERE ATTENTIVAMENTE IL PRESENTE MANUALE D'USO**

**IT**

### **GENTILE CLIENTE!**

Ci congratuliamo con Lei per l'acquisto dello scaldacqua elettrico TTULPE!

Gli scaldacqua TTULPE sono progettati e prodotti nello stretto rispetto degli standard internazionali che garantiscono l'efficienza e la sicurezza dell'uso.

Il presente manuale è valido per i modelli TTULPE di serie SH Shadow Wi-Fi. Il titolo completo del modello dello scaldacqua da Lei acquistato è indicato nella sezione del manuale «Contrassegno confermando la vendita» e sulla targhetta d'identità sul corpo dell'apparecchio.

### **1. APPLICAZIONE**

Lo scaldacqua elettrico (qui di seguito «Lo scaldacqua») è la soluzione per fornitura dell'acqua calda nei locali ad uso abitativo e quelli industriali dotati della tubazione di acqua fredda con la pressione minima di 0,05 MPa e la pressione massima di 0,7 MPa.

La manutenzione dello scaldacqua avvenga negli ambienti chiusi e ben riscaldati, lo scaldacqua non è adatto al lavoro con il flusso di acqua continuo (quale scaldacqua istantanei).

### **2. KIT di fornitura**

Scaldacqua elettrico	- 1 pz.
Valvola di sicurezza tipo GP	- 1 pz.
Manuale d'uso	- 1 pz.
KIT di ancoraggi di fissaggio (opzionale)	- 1 KIT
Imballaggio	- 1 pz.

### **3. PRINCIPALI CARATTERISTICHE TECNICHE**

La tensione fornita allo scaldacqua deve corrispondere al valore pari a 230V  $\pm$ 10%. La frequenza della rete di alimentazione elettrica deve essere di 50Hz  $\pm$  1 %. La capacità del serbatoio interno e la potenza della resistenza elettrica sono indicati sulla targhetta d'identità sul corpo dell'apparecchio. Il diametro della filettatura dei raccordi d'entrata e di uscita è G1/2".

Il produttore si riserva il diritto di riportare le variazioni nella dotazione, struttura e caratteristiche dello scaldacqua senza obbligo di preavviso.

Tabella 1

Modello	Gamma	Capacità utile dello scaldacqua, l	Tempo medio di riscaldamento, $\Delta T^{\circ}=45^{\circ}\text{C}$ con la potenza di 2 kW	Posizionamento
CO30VW Comfort Wi-Fi	30	25	0 ore 39 minuti	verticale
CO50VW Comfort Wi-Fi	50	42	1 ore 06 minuti	vertical
CO80VW Comfort Wi-Fi	80	67	1 ore 45 minuti	vertical
CO50HW Comfort Wi-Fi	50	42	1 ore 06 minuti	orizzontale
CO80HW Comfort Wi-Fi	80	67	1 ore 45 minuti	orizzontale

#### 4. DESCRIZIONE E PRINCIPIO DI FUNZIONAMENTO DELLO SCALDACQUA

Il corpo esterno dello scaldacqua è realizzato del materiale plastico resistente agli urti. I serbatoi interni hanno il rivestimento speciale in biovetroporcellana che protegge a modo sicuro la superficie interna della corrosione elettrochimica. Lo spazio tra il corpo esterno ed il serbatoio interno è riempito con poliuretano schiumato che presente un'isolamento termico moderno ed ecologico con le ottime caratteristiche d'isolamento termico. I modelli SH Shadow Wi-Fi sono dotati dei due raccordi filettati: per l'entrata dell'acqua fredda (Fig. 1, pos. 3) con l'anello di colore blu e per l'uscita dell'acqua calda (Fig. 1, pos. 2) – con l'anello di colore rosso, ed anche sono dotati del raccordo di scarico supplementare (chiuso con un tappo metallico) per lo scarico dell'acqua e lavaggio dello serbatoio interno (Fig. 1, pos.17). Sulla facciata dello scaldacqua di tutti i modelli è posizionato un pannello di comando (Fig. 1, pos.16).

Sulle flange rimovibili sono montati i riscaldatori tubolari (resistenze elettriche) ed i sensori del termostato ed interruttore termico. La resistenza elettrica serve al riscaldamento d'acqua ed è controllata dal termostato che assicura la possibilità di regolazione graduale di temperatura di riscaldamento fino a  $+65^{\circ}\text{C}$ . Tutti i modelli sono dotati del controllo elettronico con la tastiera a sfioramento. I componenti elettronici in modo automatico mantengono la temperatura dell'acqua al livello prescelto dall'utente. L'interruttore termico serve per proteggere lo scaldacqua del riscaldamento anormale d'acqua e provoca l'apertura del circuito di alimentazione alla resistenza elettrica in caso di riscaldamento d'acqua più di  $+95^{\circ}\text{C}$  (Fig. 3).

La valvola di sicurezza (Fig. 1, pos.5) fa la funzione della valvola di ritegno che impedisce il ritorno dell'acqua dallo scaldacqua alla tubazione in caso del calo di pressione nella tubazione stessa ed anche in caso di salita di pressione in serbatoio durante il riscaldamento forte dell'acqua ed anche fa la funzione della valvola di protezione che evita sovrappressioni al serbatoio durante il riscaldamento forte dell'acqua. Durante il funzionamento dello scaldacqua l'acqua può gocciolare dall'attacco di scarico della valvola di sicurezza per lo scarico della pressione eccessiva che provvede la sicurezza dello

scaldacqua. Questo attacco di scarico deve essere lasciato aperto all'atmosfera e deve essere previsto in pendenza continua verso il basso.

E indispensabile assicurare lo scarico d'acqua dall'attacco di scarico della valvola di sicurezza (Fig. 1, pos. 14) alla canalizzazione mediante l'apposito scarico (Fig. 1, pos. 6) previsto durante il montaggio.

E indispensabile provvedere regolarmente (minimo una volta al mese) allo scarico di una porzione piccola dell'acqua dall'attacco di scarico della valvola di sicurezza alla canalizzazione per lo scopo di pulizia del calcare e controllo di funzionalità della valvola di sicurezza. Una leva (Fig. 1, pos. 15) serve per aprire la valvola di sicurezza. Occorre assicurare che durante il funzionamento dello scaldacqua la leva suindicata sia in posizione che chiuda lo scarico dell'acqua dal serbatoio.

## 5. INDICAZIONI DI SICUREZZA

La sicurezza elettrica dello scaldacqua è garantita solo in presenza della messa a terra efficace realizzata in conformità alle vigenti normative di montaggio elettrico.

L'alimentazione idrica e valvolame di ritenuta devono essere conformi ai requisiti della tubazione ed avere tutti i certificati di qualità obbligatori.

Non è ammissibile durante il montaggio e manutenzione dello scaldacqua:

- effettuare il collegamento elettrico dello scaldacqua non completamente pieno d'acqua;
- togliere la calotta di protezione con l'alimentazione elettrica accesa;
- usare lo scaldacqua senza messa a terra oppure utilizzare quale messa a terra i tubi idrici;
- connettere lo scaldacqua alla tubazione con la pressione superiore a 0,7 MPa;
- connettere lo scaldacqua alla tubazione in assenza della valvola di sicurezza;
- scaricare l'acqua dallo scaldacqua con l'alimentazione elettrica accesa;
- utilizzare ricambi non raccomandati dal Produttore;
- utilizzare l'acqua dallo scaldacqua per cucinare;
- utilizzare l'acqua contenente i pezzetti meccanici (sabbia, pietre piccole), che possono provocare il malfunzionamento dello scaldacqua e della valvola di sicurezza.
- cambiare la struttura e misure di montaggio delle staffa di sospensione dello scaldacqua.

La temperatura dell'ambiente in cui funziona lo scaldacqua deve essere compresa tra i limiti da 5°C fino a 40°C. Il congelamento dell'acqua nell'apparecchio in caso delle temperature sotto zero risulta nella sua rottura che non presenta il caso di garanzia.



**Occorre prestare l'attenzione dei bambini e prevenire i suoi giochi con lo scaldacqua. Lo scaldacqua non è adatto a manutenzione eseguita dalle persone (incluso bambini) con le abilità fisiche, tattili e mentali limitate ed anche dalle persone non istruite sull'utilizzo dello scaldacqua all'eccezione**



## **dei casi in cui l'utilizzo si effettua sotto la sorveglianza oppure secondo le istruzioni delle persone responsabili della sicurezza dello scaldacqua.**

Durante l'utilizzo dello scaldacqua occorre regolarmente fare delle verifiche del suo corretto funzionamento (assenza di perdite d'acqua, odore di bruciato, scintillamento del cablaggio, etc.). In caso della sospensione prolungata dell'uso dello scaldacqua, interruzione del funzionamento dell'alimentazione idrica o elettrica occorre scollegare lo scaldacqua dalla rete elettrica e chiudere il rubinetto dell'alimentazione di acqua fredda.

### **6. INSTALLAZIONE E COLLEGAMENTO**

Tutti i lavori di montaggio, idraulici ed elettrici verranno eseguiti solo dal personale qualificato.

### **7. POSIZIONAMENTO ED INSTALLAZIONE**

Tutti i lavori di montaggio, lavori idraulici ed elettrici verranno eseguiti solo dal personale qualificato.

L'installazione dello scaldacqua deve essere effettuata secondo la marchiatura sul corpo e secondo i dati dalla Tabella 1.

Si consiglia di collocare lo scaldacqua in massima prossimità dal punto di prelievo di acqua calda per evitare dispersioni di calore lungo le tubazioni.

Occorre considerare il peso totale dello scaldacqua con completo riempimento d'acqua nel processo di scelta di posto di fissaggio. Il muro ed il pavimento di scarsa robustezza richiedono rinforzamento. Ci vuole considerare l'eventuale presenza dei cavi elettrici, condotti e tubi nel processo di perforazione (esecuzione dei fori) del muro.

Lo scaldacqua viene appeso agganciando la staffa di sospensione del corpo agli ancoraggi, fissati in precedenza al muro. Il montaggio degli ancoraggi al muro deve escludere lo spostamento spontaneo delle staffa di sospensione dello scaldacqua lungo gli ancoraggi stessi.

Il Produttore non è responsabile dell'eventuale caduta dello scaldacqua in seguito al fissaggio scorretto degli ancoraggi e alla scelta sbagliata degli ultimi.

Per la manutenzione dello scaldacqua la distanza dalla calotta di protezione alla superficie più vicina in direzione dell'asse della flangia rimovibile deve essere minimo 30 centimetri per tutti i modelli.



**AVVERTENZA!** Per evitare il danno alla proprietà dell'utente e (o) delle persone terzi in caso di malfunzionamento dello sistema di fornitura dell'acqua calda occorre installare lo scaldacqua nei locali con pavimenti impermeabili e dotati dello scarico alla canalizzazione, in nessun caso non è consentito il collocamento sotto lo scaldacqua degli oggetti che possono essere danneggiati dall'acqua. In caso d'installazione nei locali non protetti occorre montare sotto lo scaldacqua una vasca di protezione con lo scarico nella canalizzazione.

Nel caso d'installazione dello scaldacqua nei posti difficilmente accessibili per manutenzione ed effettuazione dei servizi di garanzia (piani ammezzati, nicchie, controsoffitti, etc.) il montaggio e lo smontaggio dello scaldacqua va eseguito dall'utente oppure per conto dell'utente.

NB: una vasca di protezione non è inclusa nel KIT di fornitura dello scaldacqua.

## 8. COLLEGAMENTO IDRAULICO

È indispensabile alimentare lo scaldacqua con l'acqua fredda con utilizzo di pre-filtro con grado di filtraggio minimo di 200 µm.

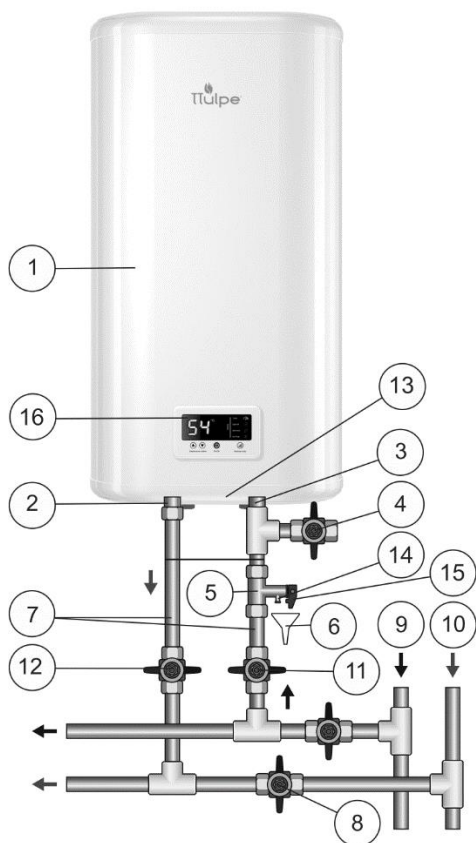
Montare la valvola di sicurezza (Fig. 1, pos. 5) all'entrata dell'acqua fredda (Fig. 1, pos. 3), un raccordo con anello di colore blu, a 3,5-4 giri assicurando la tenuta idraulica del collegamento con qualsiasi materiale di guarnizione (lino, nastro Teflon, etc.).

Durante il funzionamento dello scaldacqua l'acqua può gocciolare dall'attacco di scarico della valvola di sicurezza (si tratta dello scarico della pressione eccessiva). Si consiglia di raccordare all'attacco di scarico un tubo in gomma o silicone di idoneo diametro per lo scarico dell'acqua in eccesso.

Il collegamento idraulico si effettua secondo le indicazioni riportate sulla Fig. 1 esclusivamente a mezzo dei tubi di rame, tubi multistrato di tipo «M-pipes» (costituite da strati polimerici e metallici) o di plastica oppure dei raccordi flessibili idraulici. È vietato l'utilizzo dei raccordi flessibili idraulici già usati. Si consiglia di alimentare lo scaldacqua con l'uso di filtro defangatore montato sulla tubazione di acqua fredda (non in dotazione).



**E vietato l'utilizzo dei raccordi flessibili idraulici già usati. È vietato la manutenzione dello scaldacqua in assenza della valvola di sicurezza oppure utilizzare una valvola fornita dagli altri produttori.**



**Fig. 1. Schema del collegamento idraulico dello scaldacqua**

**Fig. 1:** 1 – Scaldacqua, 2 – raccordo per l’uscita dell’acqua calda, 3 – raccordo per l’entrata dell’acqua fredda, 4 – rubinetto di scarico (non in dotazione), 5 – valvola di sicurezza, 6 – scarico alla canalizzazione (non in dotazione), 7 – tubi di alimentazione, 8 – chiudere il rubinetto quando lo scaldacqua è in uso, 9 – tubo di acqua fredda, 10 – tubo di acqua calda, 11 – rubinetto dell’alimentazione di acqua fredda, 12 – rubinetto dell’uscita di acqua calda, 13 – calotta di protezione, 14 – attacco di scarico della valvola di sicurezza, 15 – leva di apertura della valvola di sicurezza, 16 – pannello di comando.

Dopo che il collegamento idraulico sia effettuato assicurare che il rubinetto di intercettazione di acqua fredda dello scaldacqua sia aperto e che rubinetto di intercettazione di acqua calda dello scaldacqua (Fig. 1, pos. 8) sia chiuso. Aprire il rubinetto dell’alimentazione dello scaldacqua con l’acqua fredda (Fig. 1, pos. 11), il rubinetto dell’uscita di acqua calda dallo scaldacqua (Fig. 1, pos. 12) ed il rubinetto dell’acqua calda sul miscelatore per consentire l’uscita dell’aria interna dallo scaldacqua. Al riempimento completo dello scaldacqua si verificherà un flusso costante dal miscelatore.

Chiudere il rubinetto dell'acqua calda sul miscelatore. Nel caso di collegamento dello scaldacqua nei locali non dotati dell'impianto d'alimentazione idrica è consentito l'alimentazione dello scaldacqua con l'acqua da un serbatoio installato all'altezza minima di 5 metri dal punto superiore dello scaldacqua oppure da un serbatoio ausiliario a mezzo di una stazione di pompaggio.

NB: per facilitare la manutenzione dello scaldacqua durante il suo uso si consiglia d'installare il rubinetto di scarico (Fig. 1, pos.4) in conformità alle indicazioni fornite sulla Fig. 1 (per i modelli non dotati del raccordo di scarico (non è in dotazione)).

Nel caso esistesse una pressione di rete superiore a 0,7 MPa, è necessario applicare un adeguato riduttore di pressione (non in dotazione) all'entrata dell'acqua fredda allo scaldacqua a monte della valvola di sicurezza (prima della valvola di sicurezza rispetto del senso di corso d'acqua) per assicurare la riduzione della pressione fino a quella richiesta.

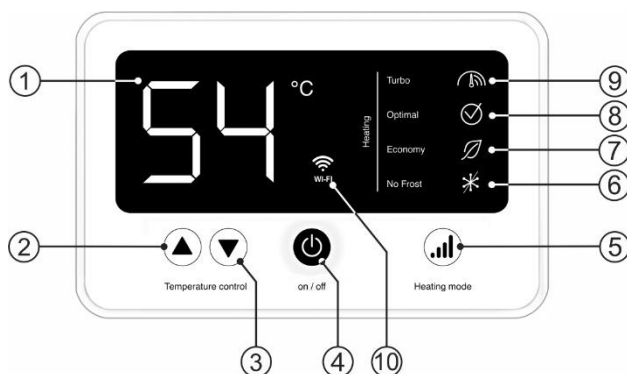
## 9. COLLEGAMENTO ELETTRICO

Prima del collegamento dello scaldacqua alla rete elettrica verificare che le caratteristiche della rete siano conformi ai requisiti tecnici dello scaldacqua.

**AVVERTENZA!** Prima dell'accensione di apparecchio occorre verificare che lo scaldacqua sia completamente riempito con l'acqua!

Lo scaldacqua deve avere messa a terra per assicurare il suo funzionamento sicuro. Lo scaldacqua è già cablato ed è provvisto di spina europea. La presa elettrica deve essere dotata della messa a terra con un filo a massa collegato e deve essere collocata nel posto protetto dall'umidità oppure soddisfare i requisiti non inferiori di IPX4.

## 10. FUNZIONAMENTO



**Figura 2. Pannello di comando elettronico**

**Figura 2:** 1 – LCD display, 2 – tasto «▲» «Temperature control» / aumento di temperatura di riscaldamento, 3 – tasto «▼» «Temperature control» / diminuzione della temperatura di riscaldamento, 4 – tasto «on/off» / accensione / spegnimento, 5 – tasto «Heating mode» / prescelta dell'intensità di riscaldamento, 6 – indicazione del modo di funzionamento «Smart», 7 – indicatore «Economy» / intensità di riscaldamento minima, 8 – indicatore «Optimal» / intensità di riscaldamento standard, 9 – indicatore «Turbo» / intensità di riscaldamento massima, 10 - Funzione "Wi-Fi".

L'accensione/spegnimento dello scaldacqua si effettua mediante il premere del tasto centrale «on/off» (Fig. 2, pos. 4), e la temperatura di riscaldamento prescelta si visualizza sul display. Fra 2,5 secondi il display visualizza la corrente temperatura d'acqua nello scaldacqua. La scelta dell'intensità di riscaldamento avviene con l'uso del tasto «Heating mode» (Fig. 2, pos. 5) sul pannello di comando. Il regime di 2 kW corrisponde all'accensione della lampadina spia «Turbo» (Fig. 2, pos. 9), 1,3 kW - corrisponde all'accensione della lampadina spia «Optimal» (Fig. 2, pos. 8) mentre 0,7 kW corrisponde all'accensione della lampadina spia «Economy» (Fig. 2, pos. 7).

L'accensione della modalità smart "Smart" è accompagnata dall'indicazione della spia di controllo "Smart" (Fig. 2, pos. 6). Durante l'uso di questo modo di funzionamento lo scaldacqua può registrare e memorizzare l'orario di consumo dell'acqua calda e provvede al riscaldamento dell'acqua preventivamente per il prossimo ciclo di consumo d'acqua (un ciclo è di 7 giorni). Durante il periodo in cui l'utente non ha bisogno dell'acqua calda lo scaldacqua mantiene la temperatura dell'acqua al livello minimo. Quindi, si ottiene la comodità e il risparmio energetico. Questo modo di funzionamento si usa dagli utenti che utilizzano l'acqua calda frequentemente.

Durante l'uso dello scaldacqua l'utente può regolare la temperatura di riscaldamento d'acqua con due tasti «▲» «▼» «Temperature control» (Fig. 2, pos. 2 e pos. 3).

Se lo scaldacqua non è usato durante il periodo invernale ed esiste la possibilità del congelamento delle tubazioni di alimentazione idrica e dello scaldacqua stesso, si consiglia togliere la tensione dallo scaldacqua e svuotare lo scaldacqua per evitare il danneggiamento del serbatoio interno.

Per il controllo da un dispositivo mobile scaldabagno ha funzione Wi-Fi.

1. Installare app "Tuya Smart" da GooglePlay o AppStore. Crea un account.
2. Vai alla sezione "Grandi elettrodomestici"
3. Selezionare " Caldaia (Wi-Fi)"
4. Il collegamento viene effettuato quando l'apparecchio è spento (in modalità standby).
5. Tenere premuti contemporaneamente i pulsanti SU DOWN e GIÙ simultaneamente finché l'icona della connessione wireless non inizia a lampeggiare sul display
6. Subito dopo questo tocco "Aggiungi un apparecchio" pulsante in Tuya Smart app

## 7. In applicazione "Tuya Smart":

\* successivamente seguire le istruzioni di applicazione.

Fallimento:

\* assicurati che la funzione Wi-Fi sia abilitata sul tuo dispositivo mobile

\* assicurarsi di essere connessi alla rete Internet 2.4 GHz

In caso di guasti del controllo wireless tramite Wi-Fi, assicurarsi che la rete Wi-Fi funzioni, che la connessione Internet sia disponibile e che Tuya Smart app funzioni correttamente. Si prega di contattare il proprio provider Internet per risolvere i guasti della rete Wi-Fi e contattare lo sviluppatore dell'app per porre rimedio ai bug di funzionamento dell'app, se presenti.

## 11. MANUTENZIONE TECNICA

Al manutenzione si verifica la presenza dell'incrostazione sulla resistenza elettrica. Nel medesimo tempo si provvede alla asportazione del calcare che dovesse formarsi in fondo dello scaldacqua. Se si verifica la presenza dell'incrostazione sulla resistenza elettrica si può procedere alla disincretazione con l'utilizzo dell'apposito detergente contro calcare oppure meccanicamente. Si consiglia di provvedere alla prima manutenzione tecnica dopo un anno dal momento in cui lo scaldacqua sia collegato da parte dei lavoratori delle organizzazioni specializzate, conseguentemente si potrà secondo l'intensità dell'incrostazione e del calcare riscontrata stabilire i termini delle seguenti manutenzioni. Queste misure prolungano al massimo la vita utile dello scaldacqua.



**AVVERTENZA! L'accumulazione del calcare sulla resistenza elettrica può provocare il suo danneggiamento.**

NB: Le condizioni di garanzia non includono la responsabilità per il danneggiamento della resistenza elettrica a causa dell'incrostazione. La manutenzione tecnica sistematica non è inclusa nell'elenco delle obbligazioni di garanzia del produttore e del venditore.

La prima sostituzione dell'anodo di magnesio deve essere effettuata entro e non oltre 12 mesi dalla data di installazione dell'Lo scaldacqua. In assenza di un segno sull'installazione con il sigillo dell'organizzazione di installazione nella scheda di garanzia, il periodo viene calcolato dalla data di acquisto. La manutenzione periodica e la sostituzione annuale dell'anodo di magnesio è fondamentale per mantenere la garanzia del produttore. La sostituzione dell'anodo deve essere accompagnata da un segno sulla scheda di garanzia, in caso di sostituzione da parte di un'organizzazione di assistenza, o da una ricevuta di acquisto allegata, in caso di sostituzione da parte del proprietario.

Quale le misure di manutenzione sono previste le azioni seguenti:

- togliere la tensione dallo scaldacqua;
- lasciare raffreddare l'acqua calda oppure scaricarla dal miscelatore;
- bloccare l'alimentazione dello scaldacqua con l'acqua fredda;
- smontare la valvola di sicurezza oppure aprire l'attacco di scarico;
- collegare all'attacco per l'entrata di acqua fredda o all'attacco di scarico un tubo in gomma e collegare l'altra estremità del tubo in gomma con la canalizzazione;
- aprire il rubinetto dell'acqua calda del miscelatore e svuotare lo scaldacqua dal tubo in gomma alla canalizzazione;
- togliere la calotta di protezione, scollegare i cavi elettrici, svitare ed estrarre la controflangia dal corpo dello scaldacqua;
- provvedere alla pulizia della tensione elettrica ed asportare il calcare del serbatoio interno in caso di necessità;
- rimontare lo scaldacqua, riempire d'acqua e ripristinare l'alimentazione elettrica.

Per i modelli che hanno in dotazione il raccordo di scarico è necessario solo bloccare l'alimentazione dello scaldacqua con l'acqua fredda, svitare il tappo che chiude il raccordo di scarico e aprire il rubinetto dell'acqua calda. Dopo lo svuotamento completo del serbatoio si può per un certo tempo ripristinare l'alimentazione dello scaldacqua con l'acqua fredda per assicurare il lavaggio ulteriore del serbatoio interno.

Alla manutenzione dello scaldacqua realizzata dall'organizzazione specializzata deve essere fatto un contrassegno corrispondente nel tagliando di garanzia.

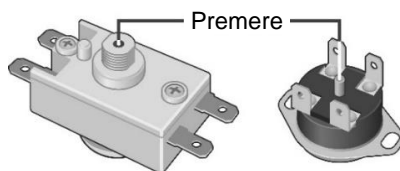
## 12. EVENTUALI ANOMALIE DI FUNZIONAMENTO E MISURE DA ADOTTARE.

<b>Anomalie riscontrate</b>	<b>Possibile causa</b>	<b>Rimedi</b>
Si verifica perdita della pressione dell'acqua calda all'uscita dello scaldacqua. La pressione dell'acqua fredda d'entrata rimane invariata	Intasatura del foro d'entrata della valvola di sicurezza	Smontare la valvola e lavarla con l'acqua
Tempo di riscaldamento è diventato più lungo	Resistenza elettrica è coperta d'incrostazione	Estrarre la resistenza elettrica e provvedere alla pulizia del calcare
	La tensione in rete elettrica ha ribassato	Chiamare personale qualificato di manutenzione della rete elettrica

Interruttore termico interviene molto frequentemente	La temperatura selezionata è vicina alla temperatura di limite	Regolare il termostato nel senso d'abbassamento di temperatura
	Il tubo del termostato è coperto d'incrostazione	Estrarre dallo scaldacqua la flangia rimovibile e attentamente provvedere alla pulizia e asportazione del calcare del tubo
Lo scaldacqua è acceso ma non riscalda l'acqua	Il rubinetto (Fig. 1, pos. 8) non è chiuso o non funziona	Chiudere o sostituire il rubinetto (Fig. 1, pos. 8)
Lo scaldacqua connesso alla rete elettrica non riscalda l'acqua. Le lampadine spia sul pannello di comando non si accendono	<ol style="list-style-type: none"> <li>1) Manca la tensione in rete elettrica;</li> <li>2) E danneggiato il cavo elettrico.</li> <li>3) Intervento dell'interruttore termico o l'interruttore termico non riarmato</li> </ol>	<ol style="list-style-type: none"> <li>1) Verificare la presenza della tensione nella presa elettrica;</li> <li>2) Rivolgersi al centro di assistenza qualificato.</li> <li>3) Disinserire l'apparecchio dalla rete elettrica, togliere la calotta di protezione, premere il gambo dell'interruttore termico fino ad avvertire un "click" (Fig. 3), montare la calotta di protezione e ripristinare l'alimentazione elettrica di rete</li> </ol>

Tutte le anomalie sopraindicate non presentano difetti dello scaldacqua e sono da essere eliminati dall'utente stesso oppure per conto dell'utente.

In caso in cui queste indicazioni non permettano di eliminare i difetti oppure in caso della rivelazione degli altri difetti occorre rivolgersi ai centri di assistenza tecnica.



**Fig. 3.** Schema di posizionamento del gambo dell'interruttore termico



## 13. TRASPORTO E STOCCAGGIO DEGLI SCALDACQUA ELETTRICI

Il trasporto e lo stoccaggio degli scaldacqua elettrici si effettuano in conformità ai simboli di manipolazione riportati sull'imballo:



Proteggere il carico dall'umidità



Il carico è fragile, maneggiare con cura



Temperatura raccomandata per lo stoccaggio del carico: da +5°C a +40°C



Indica la posizione verticale corretta del carico

## 14. SMALTIMENTO

Alla condizione dell'osservanza delle indicazioni per installazione, uso e manutenzione tecnica dello scaldacqua ed anche alla condizione della conformità di qualità dell'acqua utilizzata agli standard vigenti il produttore applica vita utile pari a 9 anni dalla data dell'acquisto dello scaldacqua.

Tutte le parti componenti dello scaldacqua sono prodotte dei materiali che consentono in caso di necessità il loro smaltimento sicuro per l'ambiente che deve essere effettuato secondo le normative e regolamenti del paese in cui lo scaldacqua è utilizzato.

Allo smaltimento dello scaldacqua occorre rispettare le leggi e le indicazioni locali in materia di protezione ambientale.

Il produttore si riserva il diritto di riportare le variazioni nella struttura e caratteristiche dello scaldacqua senza obbligo di preavviso.

## 15. GARANZIA DEL PRODUTTORE

Il produttore applica il periodo di garanzia per lo scaldacqua di 2 anni, invece per le parti componenti e prodotti di dotazione sono applicabili gli seguenti periodi di garanzia:

- per serbatoio interno contenente acqua - 5 anni;
- per altre parti componenti (riscaldatore, termostato, lampadine spia, guarnizioni, indicatore di temperatura, valvola di sicurezza) - 2 anni.

Il periodo di garanzia si calcola dalla data di acquisto dello scaldacqua. In assenza o visto l'alterazione della data di acquisto e timbro del negozio il periodo di garanzia si

calcola dalla data di produzione dello scaldacqua. La data di produzione dello scaldacqua è codificata nel numero di matricola unico riportato sulla targhetta d'identità posta sul corpo dello scaldacqua. Il numero di matricola dello scaldacqua comprende tredici cifre. La terza e la quarta cifra codificano l'anno di produzione, la quinta e la sesta – mese di produzione, la settima e la ottava – il giorno di produzione dello scaldacqua. I reclami durante il periodo di garanzia si accettano solo all'esebizione del presente manuale d'uso contrassegnato dal venditore e della targhetta d'identità sul corpo dello scaldacqua.

La garanzia è valida solo per lo scaldacqua. Il malfunzionamento della valvola di sicurezza oppure del cavo d'alimentazione elettrica non risultano in sostituzione dello scaldacqua. La responsabilità dell'osservanza delle indicazioni per installazione e collegamento appartiene all'utente (in caso se effettuati dall'utente stesso) oppure all'organizzazione di montaggio che abbia eseguito il collegamento.

La prima sostituzione dell'anodo di magnesio deve essere effettuata entro e non oltre 12 mesi dalla data di installazione dell' Lo scaldacqua. In assenza di un segno sull'installazione con il sigillo dell'organizzazione di installazione nella scheda di garanzia, il periodo viene calcolato dalla data di acquisto. La manutenzione periodica e la sostituzione annuale dell'anodo di magnesio è fondamentale per mantenere la garanzia del produttore. La sostituzione dell'anodo deve essere accompagnata da un segno sulla scheda di garanzia, in caso di sostituzione da parte di un'organizzazione di assistenza, o da una ricevuta di acquisto allegata, in caso di sostituzione da parte del proprietario.

Il produttore non risponde per i difetti provocati da installazione, uso e manutenzione tecnico dello scaldacqua non conformi alle istruzioni fornite nel presente manuale d'uso da parte dell'utente incluso i casi di guasti conseguenti alle caratteristiche non idonee delle rete (elettrica e idraulica) con cui si usa lo scaldacqua ed anche conseguenti all'intervento di terzi. La garanzia di produttore non si applica in caso dei reclami per l'aspetto esteriore dello scaldacqua.

## 16. DATI DEL PRODUTTORE

### **Produttore:**

**THERMEX heating Technology (Jiangmen) CO., Ltd**

No. 51, Jianshedonglu , Taoyuan town, Heshan City, Guangdong Province, China

ZIP: 529725

Tutti i modelli hanno i certificati obbligatori e rispondono ai requisiti obbligatori delle Direttive Comunitarie: Directive 2014/30/EU, Directive 2014/35/EU.



**CONTRASSEGNO DI VENDITA**


Modello \_\_\_\_\_ Numero di matricola \_\_\_\_\_

Data di vendita « \_\_\_\_ » \_\_\_\_\_ 20 \_\_\_\_

Venditore: \_\_\_\_\_

Firma del rappresentante

del venditore \_\_\_\_\_

Timbro del  
venditore

Il prodotto comprende tutte le parti; Non ho nessun reclamo per l'aspetto esteriore del prodotto. Ho ricevuto il manuale d'uso con tutti i contrassegni necessari. Ho letto, compreso ed accettato le indicazioni all'uso e le condizioni di garanzia.

Firma del cliente \_\_\_\_\_



**Bitte lesen Sie vor der ersten Benutzung des Warmwasserspeichers alle in dieser Anweisung aufgeführten Informationen aufmerksam durch.**

### **Sehr geehrte Kunden!**

Wir gratulieren Ihnen bei Anschaffung des elektrischen Warmwasserspeichers „**TTULPE**“. Wir sind überzeugt, dass eine breite Palette an elektrischen Warmwasserspeicher Ihre Anforderungen und Bedürfnisse abhelfen kann. Durch die Anwendung neuer Technologie und die Benutzung der hochwertigen Materialien konnte sich die Marke **TTULPE** die Popularität und das Vertrauen verschaffen

Der Warmwasserspeicher **TTULPE** wurde in strenger Übereinstimmung mit den einheimischen und internationalen Normen entwickelt und hergestellt, die die Zuverlässigkeit und Betriebssicherheit gewährleisten.

Diese Gebrauchsanweisung betrifft folgende **TTULPE**-Ausführungen: CO Comfort Wi-Fi. Der Name des von Ihnen gekauften Warmwasserspeichers ist im Abschnitt „Verkauf-Vermerk“ und auf dem sich an dem Gehäuse des Warmwasserspeichers befindlichen Identifikationsschild angegeben.

## **1. BESTIMMUNG**

Der Warmwasserspeicher (nachfolgend „Speicher“ genannt) ist für die Warmwasserversorgung der Wohn- und Betriebsobjekte, die über eine Kaltwasserleitung mit notwendigen Parametern verfügen bestimmt.

Der Speicher ist in einem geschlossenen beheizbaren Raum zu installieren und ist nicht für den stetigen Durchlaufbetrieb vorgesehen.

Der Warmwasserspeicher (nachfolgend „Speicher“ genannt) ist für die Warmwasserversorgung der Wohn- und Betriebsobjekte, die mit der Kaltwasserleitung mit einem Druck von min. 0,05 MPa und max. 0,7 MPa ausgestattet sind.

## **2. LIEFERUMFANG**

1. Warmwasserspeicher .....	1 St.
2. Sicherheitsventil Typ GP.....	1 St.
3. Bedienungsanleitung .....	1 St.
4. Verpackung .....	1 St.
5. Befestigungsanker .....	1 Satz

## **3. TECHNISCHE GRUNDDATEN**

Die elektrische Spannung von allen Typen und Ausführungen der elektrischen Warmwasserspeicher soll  $230\text{ B} \pm 10\%$  betragen. Die Frequenz der Speiseleitung ist  $50\text{ Hz} \pm 1\%$ . Das Innentankvolumen und die Heizkörperleistung sind in der Identifikationstabelle am Gehäuse des Geräts angegeben. Der Gewindedurchmesser der Wasser-einlass- und -auslassstutzen ist G1/2.

Der Hersteller behält sich das Recht vor, die Ausstattung, Ausführung und Eigenschaften des Warmwasserspeichers ohne Voranmeldung zu ändern.

**Tabelle 1**

<b>Bezeichnung</b>	<b>Durchschnittliche Heizzeit um <math>\Delta T=45^{\circ}\text{C}</math> bei einer Leistung von 2,0 kW</b>
CO30VW Comfort Wi-Fi	0 stunden 39 min.
CO50VW Comfort Wi-Fi	1 stunden 06 min.
CO80VW Comfort Wi-Fi	1 stunden 45 min.
CO50HW Comfort Wi-Fi	1 stunden 06 min.
CO80HW Comfort Wi-Fi	1 stunden 45 min.

#### **4. BESCHREIBUNG UND FUNKTION DES WARMWASSERSPEICHERS**

Das Außengehäuse des elektrischen Warmwasserspeichers ist aus schlagfestem Kunststoff ausgeführt. Die Innenbehälter haben eine Spezialbeschichtung aus Vitroporzellan, die die Innenfläche vor der chemischen Korrosion sicher schützen. Der Raum zwischen dem Außengehäuse und den Innenbehältern ist mit Polyurethanschaum, einer modernen umweltfreundlichen Wasserdichtung mit den besten Wärmeschutzeigenschaften gefüllt. Diese Ausführungen haben zwei Gewindestutzen: den Kaltwassereinlass (Bild 1, Ziffer 3) mit dem blauen Ring und den Warmwasserauslass (Bild 1, Ziffer 2) mit dem roten Ring. An der Vorderseite des elektrischen Warmwasserspeichers befindet sich in allen Ausführungen das Bedienfeld (Bild 1, Ziffer 16).

Am abnehmbaren Flansch sind ein elektrischer Rohrheizer sowie Thermostat- und Thermostatsensoren montiert. Der elektrische Rohrheizer dient zur Wasserheizung und ist thermostatgesteuert, wobei der Thermostat stufenweise auf bis zu  $+65^{\circ}\text{C}$  eingestellt wird. Alle Ausführungen werden mittels des elektronischen Bedienfelds gesteuert. Die Elektronik erhält die Wassertemperatur auf dem von dem Nutzer eingestellten Niveau aufrecht. Der Thermostatschalter dient zum Schutz des elektrischen Warmwasserspeichers vor der Überhitzung und schaltet den elektrischen Warmwasserspeicher vom Netz bei der Überschreitung der Wassertemperatur von  $+95^{\circ}\text{C}$  (Bild 3).

Der Sicherheitsventil (Bild 1, Ziffer 5) funktioniert als Rücklaufventil. Er läßt das Wasser aus dem Warmwasserspeicher in die Wasserleitung nicht reinfießen, falls gleichzeitig der Druck in der Wasserleitung abfällt und der Druck im Warmwasserspeicher steigt, indem das Wasser stark erhitzt. Während des Betriebes des Speichers kann das Wasser aus dem Auslaßrohr des Sicherheitsventils zur Überdruckabsenkung absickern. Das geschieht zur Sicherheit des Warmwasserspeichers. Dieses Auslassrohr ist für die Umluft offen zu erhalten und ist ständig nach unten zu richten und soll sich in der frostfreien Umgebung befinden.

Es ist notwendig, den Wasserzufuhr aus dem Auslaufrohr des Sicherheitsventils (Bild 1, Ziffer 14) in das Abwassersystem zu sichern. Dazu ist bei Installation des Speichers eine entsprechende Drainage vorzusehen (Bild 1, Ziffer 6).

Es ist notwendig, eine Menge Wasser über das Auslaufrohr des Sicherheitsventils in das Abwassersystem regelmäßig (mindestens einmal im Monat) zur Beseitigung der Kalkablagerung und zur Funktionsprüfung des Sicherheitsventils auslaufen zu lassen. Zum Öffnen ist der Sicherheitsventil mit einem Griff ausgestattet (Bild 1, Ziffer 15). Während des Betriebes des Warmwasserspeichers ist der Griff in der Zu-Position zu stehen.

## 5. SICHERHEITSMASSNAHMEN

Die elektrische Sicherheit des Speichers werden nur bei effektiver Erdung, die gemäß den Normen für Montage von elektrischen Geräten gemacht wurde, gewährleistet.

Der Sanitäranschluss und der Absperrarmatur müssen den Parametern der Wasserleitung entsprechen und über die notwendige Qualitätszertifikate verfügen.

Während der Installation und des Betriebs des Warmwasserspeichers ist nicht zugelassen:

- den Warmwasserspeicher an das Elektronetz anzuschließen, wenn er mit Wasser nicht gefüllt ist;
- die Schutzdecke vom eingeschalteten Gerät abzunehmen;
- den Warmwasserspeicher ohne Erdung in Betrieb zu nehmen;
- den Warmwasserspeicher an die Wasserleitung mit Druck von über 0,7 MPa anzuschließen;
- den Warmwasserspeicher an die Wasserleitung ohne Sicherheitsventil anzuschließen;
- das Wasser aus dem Warmwasserspeicher bei eingeschalteter Netzversorgung abzugießen;
- Ersatzteile, die vom Hersteller nicht empfohlen sind, einzubauen;
- das Wasser aus dem Warmwasserspeichers zum Kochen zu nutzen;
- Wasser, das mit Fremdstoffen (Sand, kleine Steine) belastet ist, zu nutzen, denn sie können die Funktion des Warmwasserspeichers und des Sicherheitsventils stören.
- Konstruktion und Befestigungsmaß der Konsolen des Speichers zu ändern.

Die Umgebungstemperatur, bei der der Warmwasserspeicher benutzt wird, soll zwischen 5°C und 40°C liegen. Ausfrieren von Wasser im Speicher bei Minustemperatur kann Betriebsausfall des Geräts zur Folge haben. Das ist kein Garantiefall.



**Weisen Sie Ihren Kindern darauf hin, dass sie mit dem Warmwasserspeicher nicht spielen dürfen. Der Speicher soll nicht von Menschen (auch Kinder) mit körperlichen, taktilen oder psychischen Einschränkungen, sowie von Menschen, die mit dem Speicher nicht umgehen können, benutzt werden. Ausgenommen sind Fälle, wenn das unter Überwachung oder nach Anweisungen der Person, die für die Sicherheit des Warmwasserspeichers verantwortlich ist, erfolgt.**

## 6. INSTALLATION UND ANSCHLUSS

Alle Installations-, Installateur- und Elektroarbeiten müssen durch geschultes Personal abgewickelt werden.

## 7. AUFSTELLUNG UND INSTALLATION

Die Aufstellung des Speichers erfolgt gemäß der am Gehäuse gekennzeichneten Markierung und in der Tabelle angegebenen Daten:

<b>Маркировка</b>	<b>Austellung</b>
CO30VW Comfort Wi-Fi	Senkrechte Montage, Stutzen nach unten;
CO50VW Comfort Wi-Fi	
CO80VW Comfort Wi-Fi	
CO50HW Comfort Wi-Fi	Waagerechte Montage, Stutzen nach links
CO80HW Comfort Wi-Fi	

Empfehlenswert ist, den Speicher in maximaler Nähe von der Stelle der Warmwasserverwendung aufzustellen, um Warmverluste in der Wasserleitung zu reduzieren.

Bei Bohren der Löcher in die Wand muss man die Anordnung der angelegten Kabel, Kanäle und Röhre berücksichtigen. Besitzen die Wände und der Boden ungenügende Tragfähigkeit, so müssen sie sachgerecht befestigt werden.

Der elektrische Warmwasserspeicher wird an den Gehäusekonsolen an den an der Wand zu befestigenden Ankerhaken gehängt. Die Montage der Haken in der Wand soll die spontane Bewegung der Konsolen ausschließen.

Zur Wartung des der elektrischen Warmwasserspeichers soll der Abstand zwischen dem Schutzdeckel und der nächsten Oberfläche in der Richtung der Achse des abnehmbaren Flansches für alle Ausführungen zumindest 30 cm betragen;



**Um die Beschädigung des Vermögens des Benutzers und (oder) des Dritten durch Mängel des Warmwasserversorgungssystems zu vermeiden, soll der Speicher in einem Raum mit Bodenabdichtung und Drainage in Abwasserleitung installiert werden. Die wasserempfindlichen Gegenstände sollen unter dem Speicher nicht gestellt werden. Wird der Speicher in einem nicht geschützten Raum installiert, so ist eine Bodenwanne (nicht im Lieferumfang) mit Drainage in Abwasserleitung aufzustellen.**

Wird der Speicher an für Wartung und Service schwerzugänglichen Stellen (Halbgeschoss, Mauernische, Zwischendecke u.a.) aufgestellt, so wird die Montage und die Demontage des Speichers durch den Kunden oder auf seinen Kosten durchgeführt.

Anmerkung: Die Bodenwanne ist im Lieferumfang des elektrischen Warmwasserspeichers nicht enthalten.

## 8. WASSERANSCHLUSS

Verstellen Sie das Sicherungsventil (Bild 1, Ziffer 5) am Kaltwassereinlass (Bild 1, Ziffer 3), mit dem blauen Ring markiert, indem Sie es um 3,4 bis 4 Umdrehungen verdrehen und den Anschluss mit einem beliebigen Dichtungsmaterial (Lein, Gewindeabdichtungsband u.a.) abdichten.



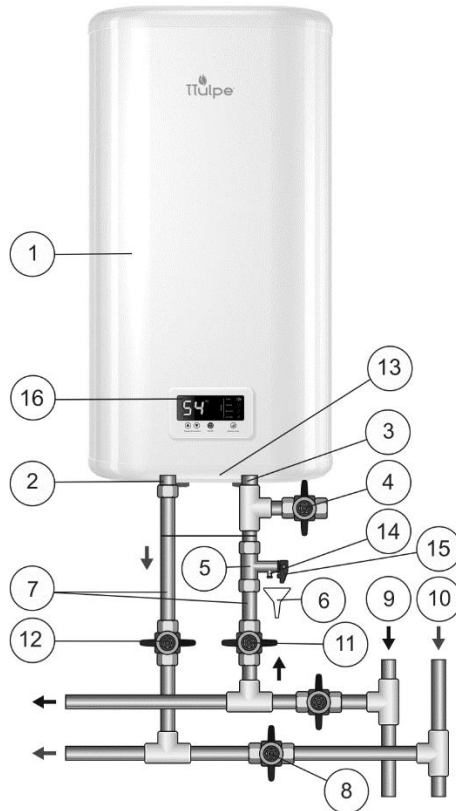
**Es ist verboten, den Speicher ohne Sicherheitsventil zu benutzen oder das Sicherheitsventil eines anderen Herstellers einzubauen.**

Während des Betriebs des elektrischen Warmwasserspeichers können Sie sehen, dass einzelne Tropfen aus dem Drainageschnabel des Sicherungsventils heraustreten (Überdruckabbau bei der Wassererhitzung). Es wird empfohlen, an den Drainageschnabel einen Gummi- oder Silikonschlauch mit entsprechendem Durchmesser zur Wasserableitung anzuschließen.

Der Wasseranschluss erfolgt gemäß Abb. 1 mittels Kupfer-, Kunststoffverbund- oder Kunststoffrohr, sowie mittels einer speziellen flexiblen Verbindung. Es ist verboten, gebrauchte flexible Verbindung zu verwenden. Es wird empfohlen, Wasser zum elektrischen Warmwasserspeicher durch einen Schmutzfilter an der Kaltwasserleitung zu leiten (nicht im Lieferumfang enthalten).



## Bild 1. Wasseranschluss



**Bild 1:** 1 – Speicher, 2 – патрубок горячей воды, 3 – Kaltwasserstutzen, 4 – Ablassventil, 5 – Sicherheitsventil, 6 – Drainage zur Entwässerung, 7 – Leitung, 8 – während des Betriebs des Speichers Ventil absperren), 9 – Kaltwasserleitung, 10 – Warmwasserleitung, 11 – Kaltwasser-Absperrventil, 12 – Warmwasser-Absperrventil, 13 – Schutzdecke, 14 – Ablassrohr des Sicherungsventils, 15 – Griff zum Öffnen des Sicherungsventils, 16 – Bedienfeld.

Nach Wasseranschluss öffnen Sie den Kaltwasserversorgungsventil (Bild 1, Ziffer 11), Warmwasserzufuhrventil (Bild 1, Ziffer 12) und den Warmwasserhahn am Mischbatterie, um den Speicher zu entlüften. Sobald der Warmwasserspeicher mit Wasser gefüllt wird, läuft das Wasser aus Warmwasserhahn blasenfrei aus. Dann ziehen Sie den Warmwasserhahn zu.

Wird der Speicher an einer Stelle ohne Wasserrohrleitung anmontiert, so kann das Wasser in den Speicher aus einem zusätzlichen Behälter mittels Pumpe oder aus einem Behälter, der in Höhe von 5 m von dem oberen Rand des Speichers aufgestellt wird, zugeführt werden.

Anmerkung: Für eine einfachere Wartung des elektrischen Warmwasserspeichers bei dem Betrieb wird empfohlen, ein Ablassventil (Bild 1, Ziffer 4) in Übereinstimmung mit Bild 1 zu installieren (für die mit dem Ablassventil nicht ausgestatteten Ausführungen (nicht im Lieferumfang des elektrischen Warmwasserspeichers enthalten)).

Wenn der Wasserrohldruck 0,7 MPa übersteigt, ist ein Druckreduzierer-ventil (nicht im Lieferumfang des elektrischen Warmwasserspeichers enthalten) bei Kaltwassereintritt vor dem Sicherheitsventil zur Verringerung des Kaltwasserdrucks bis zur Drucknorm einzubauen.

## 9. ELEKTRISCHER ANSCHLUSS



**Vor der elektrischen Inbetriebnahme stellen Sie sicher, dass der Warmwasserspeicher mit Wasser gefüllt ist.**

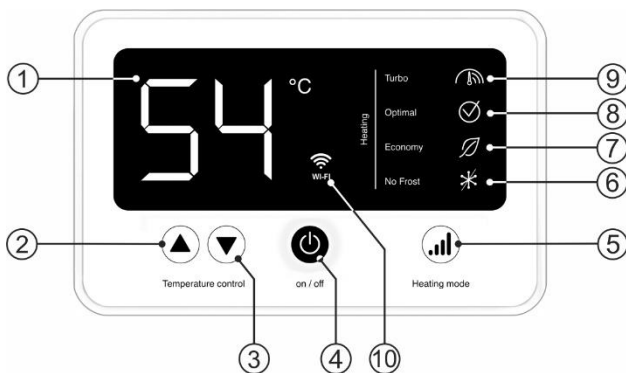
Der elektrische Warmwasserspeicher ist mit einem Standard-Netzkabel mit Stecker ausgestattet.

Die Steckdose soll mit einer Erdklemme ausgestattet werden und sich an einer wassergeschützten Stelle befinden.

Die Leistung des Geräts ist 2000 W. Die Steckdose und ihre Versorgungleitung sind für eine Nennleistung von min. 2000 W auszulegen.

Stecken Sie den Stecker in die Steckdose.

Bild 2. Elektronisches Bedienfeld



**Bild 2:** 1 – LCD-Display, 2 – knopf «▲» Temperature control / Erhöhung der Heiztemperatur, 3 – knopf «▼» Temperature control / Reduzierung der Heiztemperatur, 4 – knopf «on/off» / aktivieren/deaktivieren, 5 – knopf «Heating mode» / Einstellung der Heizleistung, 6 – modus knopf «No Frost», 7 – knopf «Economy» / Mindestleistung, 8 – knopf «Optimal» / Standardleistung, 9 – knopf «Turbo» / Maximalleistung, 10 - "Wi-Fi" – Funktion.

Das Ein-/Ausschalten des elektrischen Heizgeräts erfolgt über die mittlere Taste der Bedienleiste «on/off» (Build 2, Ziffer 4), die vorgegebene Heiztemperatur wird auf dem Display angezeigt. Nach 2,5 Sekunden wird die aktuelle Wassertemperatur des elektrischen Wasserwerfers angezeigt. Die Auswahl der Heizleistung erfolgt über den knopf «Heating mode» (Build 2, Ziffer 5), im Dashboard. Modus 2 kW mit Anzeige der Kontrolllampe «Turbo» (Build 2, Ziffer 9), Modus 1.3 kW mit Anzeige der Kontrolllampe «Optimal» (Build 2, Ziffer 8), Modus 0.7 kW mit Anzeige der Kontrolllampe «Economy» (Build 2, Ziffer 7).

Während des Betriebs des elektrischen Wasserheizers kann der Benutzer die Heiztemperatur mit zwei Tasten einstellen «▲» «▼» Temperature control (Build 2, Ziffer 2 u Ziffer 3).

Wenn Sie den elektrischen Warmwasserspeicher in der Winterzeit nicht verwenden und die Gefahr besteht, dass die Wasserleitungen und der Warmwasserspeicher selbst zufrieren, wird empfohlen, ihn vom Netz zu trennen und Wasser daraus abzulasen, damit der Innenbehälter nicht beschädigt wird.

Für die Steuerung von einem mobilen Gerät verfügt der Warmwasserbereiter über eine Wi-Fi-Funktion.

1. Installieren Sie die App „Tuya Smart“ von GooglePlay oder AppStore. Ein Konto erstellen.

2. Gehen Sie zum Abschnitt „Large Home Appliances“

3. „Boiler (Wi-Fi)“ auswählen

4. Die Verbindung wird hergestellt, wenn das Gerät ausgeschaltet ist (im Standby-Modus).

5. Halten Sie die Tasten UP  $\Delta$  und DOWN  $\nabla$  gleichzeitig gedrückt, bis das Symbol für die drahtlose Verbindung auf dem Display zu blinken beginnt

6. Berühren Sie direkt danach die Schaltfläche „Add an appliance“ in der Tuya Smart App

7. In der Anwendung „Tuya Smart“:

- Als nächstes folgen Sie den Anweisungen der Anwendung.

Fehler:

- Stellen Sie sicher, dass die Wi-Fi-Funktion auf Ihrem Mobilgerät aktiviert ist
- Stellen Sie sicher, dass Sie mit dem Internet-Netzwerk 2,4 GHz verbunden sind

Wenn die drahtlose Steuerung über Wi-Fi ausfällt, vergewissern Sie sich, dass das Wi-Fi-Netzwerk funktioniert, die Internetverbindung verfügbar ist und die Tuya Smart-App ordnungsgemäß funktioniert. Bitte wenden Sie sich an Ihren Internetanbieter, um die WLAN-Netzwerkfehler zu beheben, und wenden Sie sich an den App-Entwickler, um eventuelle Fehler beim Betrieb der App zu beheben.

## 11. WARTUNG

Die regelmäßige Wartung und rechtzeitiger Austausch der Magnesiumanode sind wichtige Voraussetzungen für die lange Lebensdauer der Warmwasserspeicher. Bei der Nichterfüllung dieser Vorschriften wird die Haftung für die Garantiewartung ausgeschlossen. Die Wartung und der Austausch der Magnesiumanode unterliegen den Garantieverpflichtungen vom Hersteller nicht

Bei der Durchführung der Wartungsarbeiten wird der Zustand der Magnesiumanode und das Auftreten der Kesselsteinablagerungen am Rohrheizkörper geprüft. Gleichzeitig werden Kalkrückständen entfernt, die sich im unteren Teil des Speichers bilden können.

Der erste Austausch der Magnesiumanode muss spätestens 12 Monate nach dem Datum der Installation der Speicher erfolgen. Wenn auf der Garantiekarte keine Kennzeichnung der Installation mit dem Siegel der Installationsorganisation angegeben ist, wird der Zeitraum ab dem Kaufdatum berechnet. Eine regelmäßige Wartung und ein jährlicher Austausch der Magnesiumanode sind unerlässlich, um die Herstellergarantie aufrechtzuerhalten. Der Austausch der Anode muss im Falle eines Ersatzes durch eine Serviceorganisation mit einer Markierung auf der Garantiekarte oder im Falle eines Ersatzes durch den Eigentümer mit einer beigefügten Kaufquittung versehen sein.



**Die Ansammlung von Kesselstein auf dem Rohrheizkörper kann die Beschädigung zur Folge haben.**

Die Beschädigung des Rohrheizkörpers ist kein Garantiefall. Die Garantieverpflichtungen des Herstellers und des Verkäufers umfassen die regelmäßige Wartung nicht.

Bei Durchführung der Wartungsarbeiten:

- den Speicher abschalten und vom Stromnetz trennen.
- das Warmwasser abkühlen oder abfließen lassen.
- Kaltwasserzufuhr absperren.
- das Sicherheitsventil entfernen oder das Entleerungsventil öffnen;
- den Gummischlauch auf das Kaltwasserzufuhrrohr aufsetzen und das zweite Schlauchende an die Abwasserleitung anschließen; Warmwasserhahn aufdrehen und den Speicher über den Schlauch entleeren.
- Schutzdecke abnehmen, Kabel abtrennen, Auflagerflansch losschrauben und aus dem Gehäuse rausnehmen.
- Rohrheizkörper gegebenenfalls vom Kesselstein reinigen und die Kalkablagerungen aus dem Behälter entfernen.
- Alle Teile zusammenbauen, den Speicher mit Wasser füllen und einschalten.

In den Ausführungen mit einem Drainagestutzen reicht es aus, den Kaltwasserzulauf zum elektrischen Warmwasserspeicher abzustellen, den Stopfen am Drainagestutzen abzudrehen und den Warmwasserhahn zu öffnen. Wenn das Wasser abgelassen ist, kann man Kaltwasser zum elektrischen Warmwasserspeicher einige Zeit zulaufen lassen, damit der Behälter zusätzlich gespült wird.

Bei der Wartung des elektrischen Warmwasserspeichers durch ein Fachunternehmen ist im Wartungszettel der entsprechende Vermerk zu setzen.

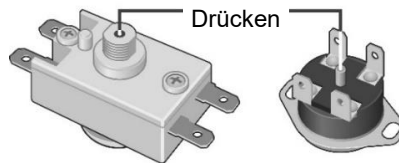
## 12. STÖRUNGEN UND BEHEBUNG.

Störung	Ursache	Abhilfe
Druck des warmen Wasser im Speicher verminderte sich. Kaltwasserdruck unverändert geblieben	Einlaufverstopfung des Sicherheitsventils	Sicherheitsventil abnehmen und spülen
Verlängerte Aufheizzeit	Rohrheizkörper ist mit Kesselstein bedeckt	Flansch herausnehmen und Rohrheizkörper reinigen
	Spannungsabfall im Stromnetz	Wenden Sie sich an die Stromversorgungsstelle
Thermoschalter schaltet oft ein	Die vorgewählte Temperatur liegt dem oberen Grenzwert nah.	Mit der Taste «Temperature» Temperatur herunterstellen

	Thermostatrohr ist mit Kesselstein belegt.	Den Fußflansch aus dem elektrischen Warmwasserspeicher herausnehmen und den Kesselstein aus dem Rohr vorsichtig entfernen
Der elektrische Warmwasserspeicher ist im Betrieb, erwärmt jedoch das Wasser nicht	Das Ventil (Bild 1, Ziffer 8) ist nicht geschlossen oder ist ausgefallen	Das Ventil schließen oder austauschen (Bild 1, Ziffer 8)
Speicher ist eingeschaltet, aber heizt das Wasser nicht. Keine Anzeige am Bedienfeld	1) Keine Spannung im Stromnetz; 2) Netzkabel ist beschädigt.	1) Prüfen Sie, ob die Steckdose unter Spannung steht; 2) Wenden Sie an den Service-Dienst.

Die oben genannten Störungen sind keine Defekte des Speichers und können vom Benutzer selbst behoben werden

**Bild 3. Lageplan der thermoschaltertaste**



### 13. TRANSPORT UND LAGERUNG DER ELEKTRISCHEN WARMWASSERSPEICHER

Der Transport und die Lagerung der elektrischen Warmwasserspeicher soll in Übereinstimmung mit den auf der Verpackung angebrachten Handhabungshinweisen erfolgen:



— Feuchtigkeitsschutz;



— Vorsicht, fragile Ware;



— Empfohlene Lagerungstemperaturen: von +5°C bis zu +40°C;



— Richtige Senkrechtstellung der Ware.

## 14. ENTSORGUNG

Die Betriebsdauer des Speichers, die vom Hersteller festgelegt wird, beträgt 9 Jahre ab Verkaufsdatum, vorbehalten, dass alle Installations-, Betriebs- und Wartungsvorschriften eingehalten wurden und die Qualität des Betriebswassers den gültigen Normen entspricht.

Bei der Entsorgung des elektrischen Warmwasserspeichers sind lokale Umweltgesetze und -empfehlungen einzuhalten.

Der Hersteller behält sich das Recht vor, den Aufbau und die Eigenschaften des elektrischen Warmwasserspeichers ohne Voranmeldung zu ändern.

## 15. GARANTIE DES HERSTELLERS

Die Garantiezeit des Herstellers für Warmwasserspeicher beträgt ein Jahr. Die Garantiezeit für Bau- und Ersatzteile wie folgt:

- für Wasserbehälter (Innenbehälter) - 5 Jahre;
- für sonstige Bauteile (Heizkörper, Thermostat, Anzeigtaste, Dichtungen, Temperaturanzeige, Sicherheitsventil) - 2 Jahre.

Die Garantiezeit beginnt ab Verkaufsdatum. Wenn das Verkaufsdatum oder der Stempel des Händlers nicht vorhanden sind, läuft die Garantiezeit ab Herstellungsdatum. Die Information über Herstellungsdatum ist in einer unikalen Seriennummer auf dem am Gehäuse anmontierten ID-Schild verschlüsselt. Die Seriennummer besteht aus 13 Ziffern. Die dritte und die vierte Ziffer codieren das Jahr, fünfte und sechste - den Monat, siebente und achte - Tag. Während der Garantiezeit werden Ansprüche angenommen, nur wenn die Bedienungsanleitung mit Vermerken des Händlers vorgelegt wird und der Schild am Gehäuse des Speichers vorhanden ist.

Die Garantie deckt nur den Warmwasserspeicher. Der Defekt des Sicherungsventils oder des Netzkabels führen nicht zum Austausch elektrischen Warmwasserspeichers. Die Verantwortung für die Einhaltung der Installations- und Anschlussvorschriften übernimmt der Benutzer (falls er die Installations- und Anschlussarbeiten selbst durchführt) oder die Installationsfirma, die den Speicher installiert und angeschlossen hat.

Der erste Austausch der Magnesiumanode muss spätestens 12 Monate nach dem Datum der Installation der Speicher erfolgen. Wenn auf der Garantiekarte keine Kennzeichnung der Installation mit dem Siegel der Installationsorganisation angegeben ist, wird der Zeitraum ab dem Kaufdatum berechnet. Eine regelmäßige Wartung und ein jährlicher Austausch der Magnesiumanode sind unerlässlich, um die Herstellergarantie aufrechtzuerhalten. Der Austausch der Anode muss im Falle eines Ersatzes durch eine Serviceorganisation mit einer Markierung auf der Garantiekarte oder im Falle eines Ersatzes durch den Eigentümer mit einer beigefügten Kaufquittung versehen sein.

Bei der Installation und Bedienung des Speichers soll der Benutzer die Vorschriften, die eine einwandfreie Funktion des Speichers während der Garantiezeit sichern, einhalten:

- Sicherheitsmaßnahmen und Vorschriften zu Installation, Anschluss, Bedienung, Wartung, die in dieser Bedienungsanleitung aufgeführt sind, einhalten;
- Mechanische Beschädigungen durch nachlässige Lagerung, Transport und Installation ausschließen;
- Gefrieren von Wasser im Innenbehälter ausschließen;
- Wasser ohne mechanische Fremdstoffe und chemische Beimischungen beim Erwärmen verwenden (s. Ziffer 5);
- den Speicher mit dem fehlerfreien mitgelieferten Sicherheitsventil betreiben. (s. Ziffer 5).

Der Hersteller trägt keine Verantwortung für Mängel, die von der Verletzung der Anweisungen zu Installation, Bedienung und Wartung durch den Benutzer verursacht wurden, u.a. wenn die Mängel wegen unzulässigen Netzparameter des Netzanschlusses (Strom und Wasserleitung) oder durch Eingriff des Dritten entstanden sind. Die Garantie des Herstellers erstreckt sich nicht auf die Ansprüche auf das Äußere des Speichers.

Reparatur, Austausch von Bauteilen und Ersatzteilen während der Garantiezeit verlängern die gesamte Garantiezeit nicht. Die Garantie für ersetzte oder reparierte Bauteile und Ersatzteile beträgt einen Monat.

## 16. ANGABEN ZUM HERSTELLER

### **Hersteller:**

THERMEX heating Technology (Jiangmen) CO., Ltd

No. 51, Jianshedonglu, Taoyuan town, Heshan City, Guangdong Province, PRC



**Alle Modelle sind gesetzlich zugelassen und entsprechen den Richtlinien.**



## VERKAUF-VERMERK

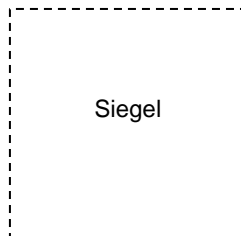
Modell \_\_\_\_\_ Seriennr \_\_\_\_\_

Verkaufsdatum « \_\_\_\_\_ » \_\_\_\_\_ 20 \_\_\_\_\_ r.

Verkäufer: \_\_\_\_\_

Unterschrift des Vertreters

des Verkäufers \_\_\_\_\_



Die Ware ist komplett ausgestattet. Ich habe keine Ansprüche auf die Geräteübersicht. Ich habe die Bedienungsanleitung mit erforderlichen Vermerken bekommen. Ich habe die Gebrauchsanweisungen und Garantiebedingungen zur Kenntnis genommen und ihnen zuerkannt.

Unterschrift des Käufers \_\_\_\_\_



## **GEACHTE KOPER!**

Wij feliciteren u van harte met de aankoop van boiler TTULPE. We zijn ervan overtuigd dat breed assortiment aan onze elektrische boilers voldoet aan alle Uw behoeften. Implementatie van moderne technologieën en materialen van de hoogste kwaliteit gedurende vervaardiging van toestellen hebben populariteit en vertrouwen bepaald voor handelsmerk TTULPE.

Electrische boilers TTULPE zijn ontwikkeld en geproduceerd streng in overeenstemming met de internationale standaarden, die betrouwbaarheid en veiligheid van exploitatie garanderen.

Deze handleiding geldt voor de volgende modellen van TTULPE: CO Comfort Wi-Fi. Benaming van het model van door u aangekochte boiler staat in artikel 'Verkoopnota' en op het identificatiebordje op het lichaam van het apparaat.

### **1. BESTEMMING**

Elektrische boiler (daarna in de tekst - EB) is bestemd voor voorziening met heet water van huishoudelijke en industriële objecten, die magistraal van koude watervoorziening hebben met nodige parameters.

EB moet geëxploiteerd worden in gesloten en verwarmde ruimtes en is niet bestemd voor het werk in doorstroomregime.

Electrische boiler (daarna in de tekst - EB) is bestemd voor voorziening met heet water van huishoudelijke en industriële objecten, die leidingen voor koud water hebben met de druk van niet minder dan 0.05 MPa en niet meer dan 0.7 MPa.

### **2. GELEVERDE SET**

1. Boiler .....	1 stuk
2. Veiligheidsventiel type GP.....	1 stuk
3. Handleiding .....	1 stuk
4. Verpakking .....	1 stuk
5. Ankers voor bevestigingsmiddelen .....	1 set

### **3. VOORNAAMSTE TECHNISCHE KARAKTERISTIEKEN**

Voedingsspanning van alle types en modellen van EB moet zijn binnen de limieten van 230 V  $\pm 10\%$ . Voedingsnetfrequentie is 50Hz  $\pm 1\%$ . Volume van de binnentank en het vermogen van verwarmingselement staan op het identificatiebordje op het lichaam van de toestel. Draaddiameter van waterinlaat- en uitlaatmondstukken – G1/2.

De producent behoudt zich het recht voor om opties, constructie en karakteristieken van de boiler aan te passen zonder voorafgaande kennisgeving.

Markering	Gemiddelde opwarmtijd op $\Delta T=45^{\circ}\text{C}$ bij vermogen van 2,0 kWt
CO30VW Comfort Wi-Fi	0 u. 39 min.
CO50VW Comfort Wi-Fi	1 u. 06 min.
CO80VW Comfort Wi-Fi	1 u. 45 min.
CO50HW Comfort Wi-Fi	1 u. 06 min.
CO80HW Comfort Wi-Fi	1 u. 45 min.

#### 4. BESCHRIJVING EN WERKINGSPRINCIPE VAN EB

Buitenhulling van EB is vervaardigd uit schokbestendig plastic. Binnentankken hebben speciale coating – biokristallijn porselein, dat veilig de binnenkant beschermt tegen chemische corrosie. De ruimte tussen buitenomhulling en binnentankken is gevuld met polyurethaan – moderne, ecologisch pure thermische isolatie, die de beste karakteristieken heeft van warmtebesparing. Desbetreffende modellen hebben twee geschroefde spuitmonden: voor koud waterinlaat (Figuur 1, punt 3) met een blauwe ring en heet wateruitlaat (Figuur 1, punt 2) – met een rode ring. Op de voorkant van EB, in alle modellen, bevindt het bedieningspaneel zich (Figuur 1, punt 16).

Een buisvormige elektrische verwarmers (TEN) en thermostaat en thermoschakelsensoren zijn gemonteerd op een verwijderbare flens. TEN wordt gebruikt voor het verwarmen van water en wordt geregeld door een thermostaat, die een soepele temperatuurregeling tot + 65 ° C heeft. Alle modellen worden elektronisch bediend. De elektronica handhaaft automatisch de watertemperatuur op het niveau dat door de gebruiker is ingesteld. De thermische schakelaar dient om het EB te beschermen tegen oververhitting en koppelt TEN los van het elektriciteitsnet wanneer de watertemperatuur hoger is dan + 95 ° C (Figuur 3).

De veiligheidsklep (Figuur 1, punt 5) dient als terugstroomklep, waardoor wordt voorkomen dat het water uit de waterverwarmer het waterleidingnet binnendringt in geval van een daling van de druk in de laatstgenoemde en in gevallen van toename van de druk in de tank bij sterke waterverwarming evenals de functies van de veiligheidsklep, het ontlast de overdruk in de tank als het water sterk wordt verwarmd. Tijdens het gebruik van de boiler kan water uit de uitlaatpijpuitlaatpijp lekken om overmatige druk te ontlasten, wat voor de veiligheid van de boiler gebeurt. Deze uitlaatpijp moet open blijven voor de atmosfeer en permanent worden omlaag geïnstalleerd in de niet-vriesomgeving.

Het is noodzakelijk om de afvoer van water uit de uitlaatpijp van de veiligheidsklep (Figuur 1, punt 14) naar het rioleringsysteem te waarborgen, met voldoende drainage voor de installatie van de EB (Figuur 1, punt 6).

Het is noodzakelijk om regelmatig (minimaal één keer per maand) een kleine hoeveelheid water via de afvoerpijp van de veiligheidsklep naar het rioleringsysteem af te voeren om kalkhoudende afzettingen te verwijderen en de prestaties van de klep te

testen. Om de klep te openen, is deze uitgerust met een hendel (Figuur 1, punt 15). Er moet voor worden gezorgd dat tijdens het gebruik van de EB deze hendel in een stand staat die het legen van water uit de tank afsluit.

## 5. AANWIJZINGEN VOOR VEILIGHEIDSMATREGELEN

De elektrische veiligheid van het EB is alleen gegarandeerd als er een effectieve aarding is uitgevoerd in overeenstemming met de huidige installatieregels voor elektrische installaties.

Sanitaire leidingen en afsluiters moeten voldoen aan de parameters van het waterleidingsnetwerk en beschikken over de nodige kwaliteitscertificaten.

Bij het installeren en bedienen van de EB is het niet toegestaan:

- de voeding aansluiten als het EB niet met water is gevuld;
- de beschermkap verwijderen wanneer de stroom is ingeschakeld;
- EB gebruiken zonder aarding;
- EVN opnemen in het waterleidingnetwerk met een druk van meer dan 0,7MPa;
- de EB met de watertoevoer verbinden zonder veiligheidsklep;
- het water uit het EB laten lopen wanneer de stroom is ingeschakeld;
- reserveonderdelen gebruiken die niet door de fabrikant zijn aanbevolen;
- water uit de EB gebruiken om te koken;
- water gebruiken dat mechanische onzuiverheden bevat (zand, kleine stenen), wat kan leiden tot verstoring van de EB en de veiligheidsklep.
- de ontwerp- en installatiedimensies van de EB-beugels veranderen.

De omgevingstemperatuur waarin het EVN wordt gebruikt, moet tussen 5°C en 40°C zijn. Invriezen van water in het EVN bij negatieve temperaturen leidt tot uitval van EB, hetgeen geen garantiegeval is.



**Kinderen moeten worden aangestuurd om ervoor te zorgen dat ze niet met het EB spelen. Het EB is niet bestemd voor gebruik door personen (inclusief kinderen) met beperkte fysieke, tactiele of psychische vermogens, evenals door personen die de EB niet kunnen gebruiken, behalve wanneer het wordt gemonitord of geïnstrueerd door personen die verantwoordelijk zijn voor de veiligheid van de EB.**

## 6. INSTALLATIE EN AANSLUITING

Alle installatie-, loodgieterij- en elektrische werkzaamheden moeten worden uitgevoerd door gekwalificeerd personeel.

## 7. PLAATSING EN INSTALLATIE

De installatie van het EB wordt uitgevoerd in overeenstemming met de markering op de behuizing en de volgende tabel:

Markering	Plaatsing
CO30VW Comfort Wi-Fi	Verticale montage, aftakleidingen naar beneden;
CO50VW Comfort Wi-Fi	
CO80VW Comfort Wi-Fi	
CO50HW Comfort Wi-Fi	Horizontale montage, aftakkingen naar links
CO80HW Comfort Wi-Fi	

Het wordt aanbevolen om de EB zo dicht mogelijk bij de plaats waar heet water wordt gebruikt, te installeren om warmteverliezen in de leidingen te verminderen.

Bij het boren (uitvoeren van) gaten in de muur moet rekening worden gehouden met de kabels, kanalen en leidingen die er doorheen gaan. Bij het kiezen van de installatieplaats moet rekening worden gehouden met het totale gewicht van de EB gevuld met water. De muur en de vloer met een zwak draagvermogen moeten dienovereenkomstig worden versterkt.

EB wordt gehangen aan de beugels van de behuizing aan de haken van de ankers, bevestigd in de muur. De installatie van haken in de muur zou spontane bewegingen van de EB-beugels erover moeten voorkomen.

Voor het onderhoud van de EB moet de afstand van de beschermkap tot het dichtstbijzijnde oppervlak in de richting van de as van de verwijderbare flens minstens 30 centimeter bedragen - voor alle modellen;



**Om te voorkomen dat het eigendom van de consument en (of) derden wordt geschaad in het geval van storingen in het warmwatervoorzieningssysteem, is het noodzakelijk om de EB te installeren in ruimten met afdichtingvloeren en afvoer naar het rioleringssysteem en in geen geval onder EB voorwerpen te plaatsen die vatbaar zijn voor effect van water. Wanneer de EB in een onbeschermd ruimte wordt geplaatst, is het noodzakelijk om een beschermende pallet onder de EB te installeren met afvoer in de riolering.**

In het geval dat de EB wordt geplaatst op plaatsen die moeilijk toegankelijk zijn voor technische en garantieonderhoud (mezzanines, nissen, inter-plafondruimten, enz.),

wordt de ontmanteling en installatie van de EB door de klant zelfstandig uitgevoerd, of op zijn kosten.

Opmerking: de pallet is niet inbegrepen bij de levering van de EB.

## 8. AANSLUITING BIJ WATERLEIDINGSYSTEEM

Installeer de veiligheidsklep (Figuur 1, punt 5) bij de inlaat van koud water (Figuur 1, punt 3) gemarkeerd met een blauwe ring, draai hem 3,5 - 4 slagen, zorg voor een goede dichtheid met om het even welk afdichtingsmateriaal (vlas, FUM tape, enz.)

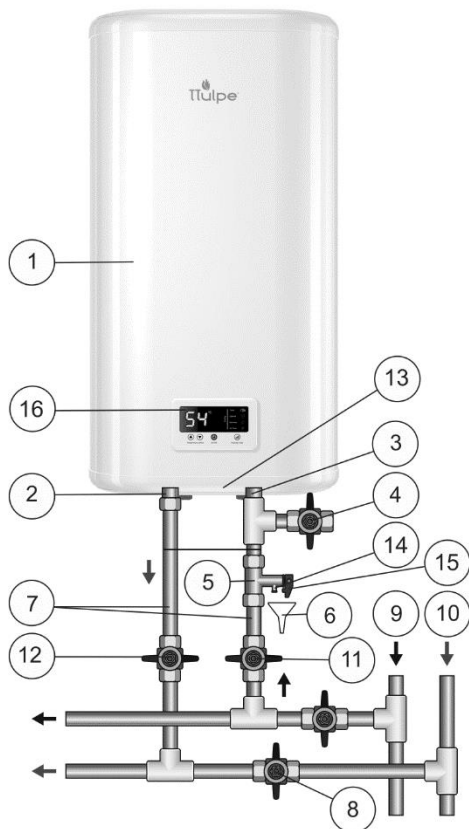


**Het is verboden om de EB te gebruiken zonder veiligheidsklep of een klep van andere fabrikanten te gebruiken.**

Tijdens de werking van de EB kunt u zien hoe de druppels van het afvoerkanal van de veiligheidsklep verschijnen (ontlasting van te hoge druk wanneer het water wordt verwarmd). Het wordt aanbevolen om een rubberen of siliconen nieuwe buis met de juiste diameter aan het drainagekanaal te bevestigen om vocht af te voeren.

De aansluiting op het watertoevoersysteem wordt gemaakt in overeenstemming met figuur 1, alleen met behulp van koperen, plastic of kunststof buizen, evenals speciaal flexibel sanitair. Het is verboden om een flexibele sanitair te gebruiken die vroeger werd gebruikt. Het wordt aanbevolen om water toe te voeren aan de EB via een modderfilter dat is geïnstalleerd op de koudwaterleiding (niet inbegrepen in de leveringsset).

**Figuur 1. Schema van het aansluiten van de EB tot het watertoevoersysteem**



**Figuur 1:** 1 – EB, 2 – heet water mondstuk, 3 – koud water mondstuk, 4 – afvoerklep, 5 – veiligheidsventiel, 6 – drainage naar de riolering, 7 – toevoer, 8 – sluit de klep tijdens het gebruik van de EB, 9 – koudwaterleiding, 10 – warmwaterleiding, 11 – koud water afsluitklep, 12 – warm water afsluitklep, 13 – beschermkap, 14 – uitlaatpijp van veiligheidsklep, 15 – handvat voor het openen van de veiligheidsklep, 16 – bedieningspaneel.

Open na het aansluiten de koudwatervoorzieningsklep (Figuur 1, punt 11) in de EB, de warmwaterkraan uit de EB (Figuur 1, punt 12) en de warmwaterkraan op de mixer om te zorgen voor luchtafvoer uit de boiler. Wanneer de EB met een continue straal uit de kraan van de mixer wordt volledig gevuld, stroomt koud water. Sluit de warmwaterkraan op de mixer af.

Bij aansluiting van de EB op plaatsen die niet zijn uitgerust met waterleidingen, is het toegestaan om water naar de EB te voeren vanuit een hulptank die zich op een

hoogte van niet minder dan 5 meter van de bovenkant van de EB bevindt, of met behulp van een pompstation.

Opmerking: om het onderhoud van de EB tijdens het gebruik te vergemakkelijken, wordt het aanbevolen om een afvoerklep (Figuur 1, punt 4) te installeren in overeenstemming met Figuur 1 (voor modellen die niet zijn uitgerust met een afvoerpijp (niet inbegrepen bij de levering van de EB)).

Als de druk in de waterleiding groter is dan 0,7 MPa, dan is het bij de inlaat voor de EB noodzakelijk om een reductieventiel te installeren (niet inbegrepen in de levering van de EB) om de waterdruk naar normaal te verlagen.

## 9. INSCHAKELLEN VAN DE ELEKTRICITEIT



**Voor het inschakelen van de elektriciteit zorg ervoor dat de EB is gevuld met water.**

EB is voorzien van een netsnoer met een stekker.

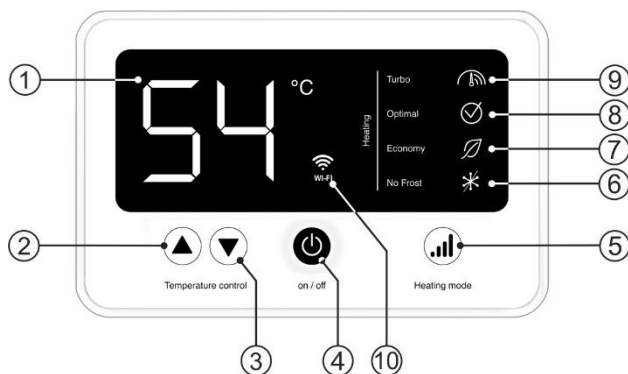
Het stopcontact moet een aardingsklem hebben en op een plaats worden geplaatst die tegen vochtigheid wordt beschermd.

Capaciteit van het toestel is 2000 Watt. Het stopcontact en de bedrading moeten geschikt zijn voor een nominaal vermogen van minstens 2000W.

Steek de stekker in het stopcontact.

## 10. EXPLOITATIE

**Figuur 2. Elektronisch bedieningspaneel**



**Figuur 2:** 1 – LCD scherm, 2 – knop «▲» Temperature control / verhoging van de verwarmingstemperatuur, 3 – knop «▼» Temperature control / daling van de verwarmingstemperatuur, 4 – knop «on/off» / aan/uit, 5 – knop «Heating mode» / verwarmingsvermogen instelling, 6 – modus knop «No Frost», 7 – knop «Economy» / minimaal vermogen, 8 – knop «Optimal» / standaard vermogen, 9 – knop «Turbo» / maximale vermogen, 10 – "Wi-Fi" - functie.



De elektrische boiler wordt in- / uitgeschakeld met de centrale knop op het bedieningspaneel «on/off» (Figuur 2, punt 4), het display toont de ingestelde verwarmingstemperatuur. Na 2,5 seconden toont het display de huidige watertemperatuur in de elektrische boiler. Het verwarmingsvermogen wordt geselecteerd met de knop «Heating mode» (Figuur 2, punt 5), op het bedieningspaneel. De 2 kW-modus gaat vergezeld van een indicatielampje «Turbo» (Figuur 2, punt 9), de 1.3 kW-modus gaat vergezeld van een indicatielampje «Optimal» (Figuur 2, punt 8), de 0.7 kW-modus gaat vergezeld van een indicatielampje «Economy» (Figuur 2, punt 7).

Tijdens de werking van de elektrische boiler kan de consument de verwarmingstemperatuur met twee knoppen aanpassen «▲» «▼» Temperature control (Figuur 2, punt 2 en punt 3).

Voor controle vanaf een mobiel apparaat heeft de boiler Wi-Fi-functie.

1. Installeer app "Tuya Smart" van GooglePlay of AppStore. Maak een account aan.

2. Ga naar de sectie "grote huishoudelijke apparaten"

3. Selecteer "Boiler (Wi-Fi)"

4. De verbinding wordt gemaakt wanneer het apparaat is uitgeschakeld (in de stand-bymodus).

5. Houd de knoppen  $\Delta$  en DOWN tegelijk ingedrukt totdat het pictogram voor draadloze verbinding begint te knippen op het display

6. Direct na deze aanraking "voeg een apparaat toe" knop in Tuya Smart app

7. In toepassing "Tuya Smart":

\* volg vervolgens de instructies van toepassing.

Mislukking:

\* zorg ervoor dat de Wi-Fi-functie is ingeschakeld op uw mobiele apparaat

\* zorg ervoor dat u verbonden bent met het internetnetwerk 2.4 GHz

Als er storingen zijn in de draadloze bediening via Wi-Fi, controleer dan of het Wi-Fi-netwerk functioneert, de internetverbinding beschikbaar is en de Tuya Smart app correct werkt. Neem contact op met uw internetprovider om de storingen in het Wi-Fi-netwerk op te lossen en neem contact op met de ontwikkelaar van de app om eventuele bugs in de werking van de app te verhelpen.

## 11. TECHNISCH ONDERHOUD

Periodiek onderhoud en tijdige vervanging van de magnesiumanode zijn onmisbare voorwaarden voor het werk op de lange termijn van de EB. Het niet naleven van deze vereisten vormt de basis voor het verwijderen van de EB van de

garantieservice. Onderhoud en vervanging van de magnesiumanode zijn niet inbegrepen in de fabrieksgarantie.

Tijdens onderhoud worden de toestand van de magnesiumanode en de aanwezigheid van aanslag op de TEN gecontroleerd. Tegelijkertijd wordt het sediment verwijderd, dat zich kan ophopen in het onderste deel van de EB.

De eerste vervanging van de magnesiumanode moet uiterlijk 12 maanden na de installatiedatum van het EB plaatsvinden. Bij het ontbreken van een markering over de installatie met het zegel van de installatieorganisatie op de garantietaal, wordt de periode gerekend vanaf de aankoopdatum. Periodiek onderhoud en jaarlijkse vervanging van de magnesiumanode is noodzakelijk om de fabrieksgarantie te behouden. Vervanging van de anode moet vergezeld gaan van een merkteken op de garantietaal, in geval van vervanging door een serviceorganisatie, of een bijgevoegd aankoopbewijs, in geval van vervanging door de eigenaar.



### **Accumulatie van kalkaanslag op de TEN tijdens de exploitatie kan schade aan de TEN veroorzaken.**

Opmerking: Schade aan verwarmingselementen als gevolg van de vorming van kalkaanslag valt niet onder de garantie. Regelmatig onderhoud is niet inbegrepen in de garantieverplichtingen van de fabrikant en de verkoper.

- Voor het uitvoeren van onderhoud, moet u het volgende doen:
- schakel de voeding naar de EB uit;
- laat het hete water afkoelen of gebruik het door een mixer;
- blokkeer de stroom van koud water naar de EB;
- draai de veiligheidsklep los of open de afvoerklep;
- plaats de rubberen slang op de koudwaterinlaat of de afvoerklep en laat het tweede uiteinde in de riolering lopen;
- open de warmwaterkraan op de mixer en tap het water uit de EB af via de slang in het riool;
- verwijder de beschermkap, ontkoppel de kabels, draai de steunflens los en verwijder hem uit de behuizing;
- Maak de TEN schoon van het aanslag indien nodig en verwijder het bezinksel uit de tank;
- Monteer, vul het EB met water en schakel de stroom in.

Bij modellen met een afvoerpijp is het voldoende om het koude water dat de EB binnendringt, te blokkeren, de plug van de afvoerpijp te verwijderen en de warmwaterkraan te openen. Nadat het water is samengevoegd, kunt u de toevoer van koud water een tijdje openen naar de EB voor extra reiniging van de tank.

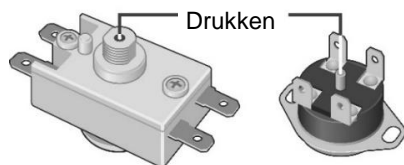
Bij het uitvoeren van technisch onderhoud van de EB door een gespecialiseerde organisatie, moet in de servicecoupon een overeenkomstige markering worden aangebracht.

## 12. MOGELIJKE STORINGEN EN MANIEREN DEZE AAN TE PAKKEN.

Storing	Mogelijke reden	Manier van aanpak
De druk van heet water uit de EB nam af. Koudwaterdruk bleef hetzelfde	Verstopping van de inlaat van de veiligheidsklep	Verwijder de klep en spoel hem in water
Verhoogde verwarmingstijd	TEN werd bedekt met een laag afslag	Verwijder de flens en maak de TEN schoon
	De elektrische netspanning is afgenomen	Neem contact op met de betreffende service van elektrische bediening
Frequente werking van de thermische uitschakelknop	Ingestelde temperatuur ligt dicht bij de limiet	Verminder temperatuur met behulp van «Temperature»-knop
	De thermostaatbuis is bedekt met aanslag	Haal de steunflens uit EB en verwijder voorzichtig aanslag van de buis
EB werkt, maar verwarmt geen water	Ventiel (Figuur 1, punt 8) is niet afgesloten of is kapot	Sluit het ventiel af of vervang hem (Figuur 1, punt 8)
Ingeschakelde EB verwarmt geen water. Op het bedieningspaneel ontbreekt indicatie	1) er is geen spanning in elektrisch netwerk; 2) een netwerkkabel is beschadigd.	1) Controleer aanwezigheid van de stroom in het stopcontact; 2) Neem contact op met het gespecialiseerde service centrum.

De bovengenoemde storingen zijn geen gebreken van de EB en kunnen worden verbeterd door de gebruiker zelfstandig of op zijn rekening.

**Figuur 3. Schema van de locatie van de thermische uitschakelknop**



### 13. TRANSPORTERING EN BEWARING VAN ELECTRISCHE BOILERS

Transporteren en bewaring van elektrische boilers wordt gedaan in overeenstemming met de manipulatieve tekens op de verpakking:



— De noodzaak om de lading tegen vocht te beschermen



— Breekbaarheid van lading, voorwaarde van zorgvuldige behandeling



— Aanbevolen opslagtemperatuurbereik van lading: van +5°C tot +40°C



— Juiste verticale positie van vracht;

### 14. UTILISATIE

In overeenstemming met de regels voor installatie, bediening, onderhoud van de EB en de conformiteit van de kwaliteit van het gebruikte water met de huidige normen, bepaalt de producent de levensduur van de EB tot 9 jaar. Bij het afvoeren van de EB moeten de lokale milieuwetten en -aanbevelingen in acht worden genomen. De fabrikant behoudt zich het recht voor om wijzigingen aan te brengen in het ontwerp en de specificaties van de EB zonder voorafgaande kennisgeving.

### 15. GARANTIES VAN PRODUCENT

De producent stelt de garantieperiode voor de boiler 2 jaar vast, terwijl de garantievoorwaarden voor de componenten en componenten als volgt zijn:

- voor een waterhoudende container (binnentank) - 5 jaar;

- voor andere componenten (verwarmingselement, thermostaat, indicatielampen, pakkingen, temperatuurindicator, veiligheidsklep) - 2 jaar.

De garantieperiode wordt berekend vanaf de verkoopdatum van de EB. Bij afwezigheid of correctie van de datum van verkoop en het stempel van de winkel, wordt de garantieperiode berekend vanaf de datum van uitgifte van de EB. De productiedatum van de boiler is gecodeerd in een uniek serienummer op het identificatieplaatje op de EB-behuizing. Het serienummer van de EB bestaat uit dertien cijfers. Het derde en vierde cijfer van het serienummer is het jaar van uitgifte, de vijfde en zesde is de maand van uitgave, de zevende en achtste zijn de dag van de release van de EB. Claims tijdens de garantieperiode worden geaccepteerd als deze handleiding beschikbaar is met de merken van de verkoper en het identificatieplaatje op de EB-behuizing.

De garantie is alleen van toepassing op de EB. Het uitvallen van de veiligheidsklep of het elektrische netsnoer zijn geen reden voor het vervangen van de EB. De verantwoordelijkheid voor de naleving van de installatie- en verbodingsregels

ligt bij de koper (in geval van zelfaansluiting) of bij de installatieorganisatie die de verbinding tot stand heeft gebracht.

De eerste vervanging van de magnesiumanode moet uiterlijk 12 maanden na de installatiedatum van het EB plaatsvinden. Bij het ontbreken van een markering over de installatie met het zegel van de installatieorganisatie op de garantietaal, wordt de periode gerekend vanaf de aankoopdatum. Periodiek onderhoud en jaarlijkse vervanging van de magnesiumanode is noodzakelijk om de fabrieksgarantie te behouden. Vervanging van de anode moet vergezeld gaan van een merkteken op de garantietaal, in geval van vervanging door een serviceorganisatie, of een bijgevoegd aankoopbewijs, in geval van vervanging door de eigenaar.

Bij het installeren en gebruiken van de EB moet de gebruiker voldoen aan de vereisten die zorgen voor een probleemloze werking van het apparaat tijdens de garantietaal:

- de veiligheidsmaatregelen en regels voor installatie, aansluiting, bediening en onderhoud uitvoeren die in deze handleiding worden beschreven;
- mechanische schade door nalatige opslag, transport en installatie uitsluiten;
- bevriezing van water in de EB uitsluiten;
- voor verwarming in EB water zonder mechanische en chemische onzuiverheden gebruiken (zie artikel 5);
- de EB met een goed werkende veiligheidsklep uit de EB-afleverkit bedienen (zie artikel 5).

De producent is niet aansprakelijk voor eventuele tekortkomingen die het gevolg zijn van schending door de consument van de regels voor installatie, bediening en het onderhoud van de EB beschreven in deze handleiding, inclusief in gevallen waarin deze tekortkomingen zijn ontstaan door onaanvaardbare parameters van de netwerken (elektriciteit en watervoorziening) waarin de EB wordt geëxploiteerd en door tussenkomst van derden. Claims over het uiterlijk van de EB vallen niet onder de fabrieksgarantie.

Reparatie, vervanging van onderdelen en componenten binnen de garantietaal verlengt de garantietaal voor de EB als geheel niet. De garantietaal voor vervangen of gerepareerde componenten is één maand.

## 16. INFORMATIE OVER DE PRODUCENT

### Producent:

THERMEX heating Technology (Jiangmen) CO., Ltd

No. 51, Jianshedonglu, Taoyuan town, Heshan City, Guangdong Province, PRC



**Alle modellen zijn gecertificeerd en voldoen aan de eisen van de Europese richtlijnen.**

## VERKOOPNOTA

Model \_\_\_\_\_ Serie nr \_\_\_\_\_

Verkoopdatum « \_\_\_\_\_ » \_\_\_\_\_ 20 \_\_\_\_\_

Firma-verkoper: \_\_\_\_\_

Handtekening van de vertegenwoordiger van  
firma-verkoper \_\_\_\_\_

Stempel van  
firma-verkoper

Het product is volledig geleverd, ik heb geen enkele aanspraak op het uiterlijk van het product. De handleiding met de nodige markeringen heb ik ontvangen, met de regels van de werking en de voorwaarden van de garantie ben ik bekend en ik ga ermee akkoord.

Handtekening van koper: \_\_\_\_\_



**Avant la première utilisation du chauffe-eau électrique de stockage il est nécessaire de lire attentivement ce manuel d'utilisation**

## **CHER CLIENT!**

Félicitations pour votre achat du chauffe-eau électrique de stockage «**TTULPE**». Nous sommes sûrs que la gamme varié de nos chauffe-eaux satisfasse tous vos besoins. L'utilisation des technologies modernes et des matériaux de haute qualité pour la fabrication de nos appareils entraînent la popularité et la confiance de la marque de commerce **TTULPE**.

Le chauffe-eau est élaboré et fabriqué en parfaite conformité avec les normes nationales et internationales qui garantissent la crédibilité et la sécurité de fonctionnement.

Le présent manuel d'utilisation concerne les modèles TTULPE ci-après: CO Comfort Wi-Fi. La dénomination complète de votre chauffe-eau est mentionnée dans le chapitre « Informations sur la vente » et sur la plaque d'identification sur le corps du chauffe-eau.

### **1. DESTINATION**

Le chauffe-eau est destiné à la production de l'eau chaude dans les locaux sociaux et industriels équipés de tuyauterie d'approvisionnement en eau froide avec les paramètres nécessaires.

Le chauffe-eau doit être utilisé dans les locaux fermés chauffés et il n'est pas destiné à l'utilisation continue sous circulation.

Le chauffe-eau (ci-après – CHE) est destiné pour approvisionner de l'eau chaude des objets industriels et publics, ayant la canalisation d'eau froide avec la pression de 0,05 MPA minimum et 0,7 MPa maximum.

### **2. LOT DE LIVRAISON**

1. Chauffe-eau .....	1 p.
2. Soupape de sûreté de type GP .....	1 p.
3. Manuel d'utilisation.....	1 p.
4. Emballage.....	1 p.
5. Cheville de fixation .....	1 lot

### **3. CARACTÉRISTIQUES TECHNIQUES PRINCIPALES**

La tension d'alimentation de tous les types et modèles CHE doit être dans les limites de 230 V  $\pm 10\%$ . La fréquence du réseau électrique d'alimentation 50 Hz  $\pm 1\%$ . Le volume du réservoir intérieur et la puissance de l'élément chauffant sont indiqués dans le tableau d'identification sur le corps de l'appareil. Le diamètre du filet des tuyaux de raccord pour l'entrée et la sortie de l'eau – G1/2.

Le fabricant se réserve le droit de modifier la construction et les caractéristiques du chauffe-eau sans avis préalable.

**Tableau 1**

<b>Marquage</b>	<b>Temps de chauffe moyenné à <math>\Delta T=45^{\circ}\text{C}</math> avec la puissance de 2,0 kWt</b>
CO30VW Comfort Wi-Fi	0 h. 39 min.
CO50VW Comfort Wi-Fi	1 h. 06 min.
CO80VW Comfort Wi-Fi	1 h. 45 min.
CO50HW Comfort Wi-Fi	1 h. 06 min.
CO80HW Comfort Wi-Fi	1 h. 45 min.

#### **4. DESCRIPTION ET MODE DE FONCTIONNEMENT DU CHAUFFE-EAU**

Le corps extérieur de CHE est fabriqué en matériau plastique antichoc. Les réservoirs intérieurs ont le revêtement spécial en bio verre-porcelaine, protégeant fermement la surface intérieure contre la corrosion chimique. L'espace entre le corps extérieur et les réservoirs intérieurs est rempli avec de la mousse polyuréthane - isolement calorifuge moderne, pure dans le sens écologique, ayant les meilleures caractéristiques pour conserver la chaleur. Les modèles donnés ont deux tuyaux de raccord à visse: pour faire entrer l'eau froide (Fig. 1, p. 3) avec l'anneau bleu, et pour faire sortir l'eau chaude (Fig. 1, p. 2) – avec l'anneau rouge. Sur le côté de face de CHE dans tous les modèles il y a le panneau de commande (Fig. 1, p. 16).

Sur la bride rapportée on a monté le radiateur de chauffage électrique tubulaire (CET) et les capteurs du thermostat et du thermocommutateur. CET sert pour chauffer l'eau et est commandé par le thermostat, ayant le réglage doux de température jusqu'à  $+65^{\circ}\text{C}$ . Tous les modèles sont commandés à l'aide du panneau électronique. L'équipement électronique entretient automatiquement la température de l'eau au niveau établi par l'utilisateur. Le thermocommutateur est destiné à la protection du chauffe-eau contre la surchauffe et à débrancher le chauffe-eau du réseau, si la température de l'eau dépasse  $95^{\circ}\text{C}$ . (Fig. 3).

La soupape de sûreté accomplit les fonctions du clapet de non-retour en empêchant l'infiltration de l'eau du chauffe-eau au réseau de distribution en cas de chute de la pression dans le réseau et en cas d'augmentation de la pression dans le réservoir lors du chauffage, ainsi que les fonctions du clapet de protection en diminuant la pression dans le réservoir lors du chauffage. Lors du fonctionnement du chauffe-eau l'eau peut couler du tuyau d'échappement de la soupape de sûreté pour la décompression par mesure de sécurité. Ce tuyau d'échappement de la soupape de sûreté doit être ouvert et être installé vers le bas et dans l'environnement incongélable.

Il faut assurer l'évacuation de l'eau du tuyau d'échappement de la soupape de sûreté (Fig. 1, p. 14) vers la canalisation en prévoyant le drainage concerné lors du montage (Fig. 1, p. 6).



Il est indispensable de purger un peu d'eau régulièrement (une fois par mois au moins) à travers le tuyau d'échappement de la soupape de sûreté vers la canalisation pour éliminer les dépôts calcaires et pour vérifier la capacité de fonctionnement de la soupape. La soupape est équipée de poignée pour ouvrir (Fig. 1, p. 15). Il faut vérifier pour que cette poignée soit en position de fermeture du réservoir lors du chauffe-eau.

## 5. MESURES DE SÉCURITÉ

La sécurité électrique du chauffe-eau est garantie en cas de mise à la terre effective réalisée conformément aux règles de montage en vigueur des installations électriques.

Les tuyaux sanitaires et la robinetterie d'arrêt doivent être conformes aux paramètres du réseau de distribution de l'eau et avoir des certificats nécessaires.

Lors du montage et de l'utilisation du chauffe-eau il est interdit de:

- alimenter l'électricité, si le chauffe-eau n'est pas rempli avec de l'eau ;
- enlever le couvercle de protection en cas d'alimentation électrique branchée ;
- utiliser le chauffe-eau sans mise à la terre;
- connecter le chauffe-eau au réseau de distribution d'eau avec la pression de plus de 0,7 MPa;
- connecter le chauffe-eau au réseau de distribution d'eau soupape de sûreté;
- purger de l'eau du chauffe-eau en cas d'alimentation électrique branchée ;
- utiliser les pièces de rechange non recommandées par le fabricant ;
- utiliser l'eau du chauffe-eau pour préparer le repas ;
- utiliser l'eau avec des impuretés mécaniques (sable, petites pierres) qui peuvent dégrader le fonctionnement du chauffe-eau et de la soupape de sûreté
- modifier la construction et les dimensions des supports du chauffe-eau .

la température de l'environnement de l'utilisation du chauffe-eau doit être dans la limite de 5°C jusqu'à 40°C. La congélation de l'eau dans le chauffe-eau sous température négative entraîne son dysfonctionnement qui n'est pas couvert par la garantie



**Les enfants ne doivent pas jouer avec le chauffe-eau. Le chauffe-eau n'est pas destiné à l'utilisation par les personnes (y compris enfants) dont les capacités physiques, sensibles ou psychiques sont réduites et par les personnes qui ne savent pas utiliser le chauffe-eau, sauf les cas de l'utilisation sous le contrôle ou selon les instructions des personnes responsables de la sécurité du chauffe-eau**

## 6. INSTALLATION ET CONNEXION

Tous les travaux de montage, sanitaires et électromécaniques doivent être effectués par le personnel qualifié.

## 7. PLACEMENT ET INSTALLATION

L'installation du chauffe-eau est effectuée conformément au marquage sur le corps et au tableau suivant :

Marquage	Placement
CO30VW Comfort Wi-Fi	Montage vertical ; tuyaux de raccord vers le bas;
CO50VW Comfort Wi-Fi	
CO80VW Comfort Wi-Fi	
CO50HW Comfort Wi-Fi	Montage horizontal, tuyaux de raccord vers le gauche
CO80HW Comfort Wi-Fi	

Il est recommandé d'installer le chauffe-eau près du lieu de l'utilisation de l'eau chaude pour diminuer les pertes de la chaleur dans les tuyaux.

Lors du perçage des murs il faut prendre en considération les câbles, les canaux et les tuyaux. En choisissant le lieu du montage il faut prendre en considération le poids total du chauffe-eau rempli avec de l'eau. Il faut renforcer le mur et le plancher de capacité du chargement.

Le chauffe-eau est suspendu sur le support du corps à l'aide des chevilles fixées contre le mur. Le montage des crochets doit exclure le déplacement spontané des supports du chauffe-eau.

Pour l'entretien du chauffe-eau la distance entre le couvercle de protection et la surface la plus proche dans la direction de la flasque de serrage doit être de 30 centimètres.



**Pour éviter les dommages aux biens de l'utilisateur et (ou) des tiers en cas des défauts du système de distribution de l'eau chaude, il faut monter le chauffe-eau dans les locaux avec l'isolation hydrofuge des planchers et le drainage dans la canalisation, il est interdit de placer les objets vulnérables par eau sous le chauffe-eau. En disposant le chauffe-eau dans les locaux non protégés il faut installer le plateau de protection sous le chauffe-eau (ne fait pas partie du lot de livraison du chauffe-eau) avec le drainage dans la canalisation.**

En disposant le chauffe-eau dans les endroits non accessibles pour l'entretien technique et de garantie (entresols, niches, espaces de plafond etc), le consommateur effectue le montage et le démontage du chauffe-eau lui-même.

Remarque: le plateau de protection ne fait pas partie du lot de livraison de CHE.

## 8. CONNEXION AU RÉSEAU DE DISTRIBUTION DE L'EAU

Installer la soupape de sûreté (Fig. 1, p. 5) à l'entrée de l'eau froide (anneau bleu) de 3,5 - 4 tours, en assurant l'étanchéité de la connexion (lin, bande etc).

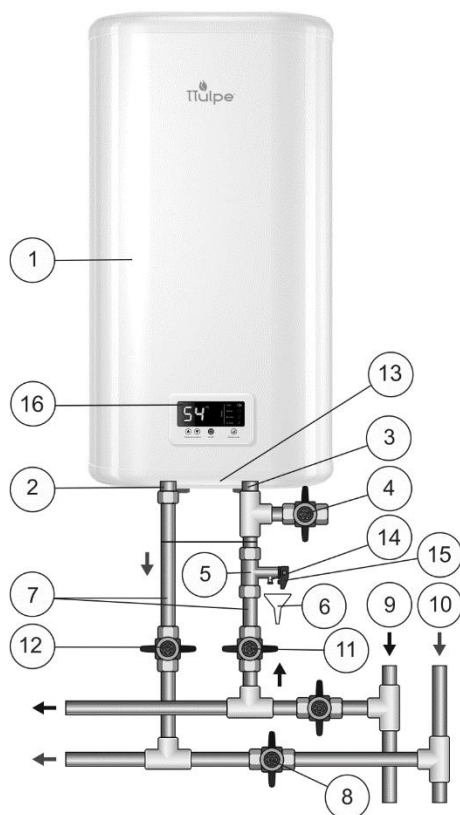


**Il est interdit d'utiliser le chauffe-eau sans soupape de sûreté ou utiliser les soupapes de sûreté d'autres fabricants.**

Pendant l'exploitation de CHE vous pouvez observer l'apparition des gouttes du bec draineur de la soupape de sécurité (décharge de la surpression au chauffage d'eau). Il est recommandé de connecter au bec draineur le tube en caoutchouc ou en silicone avec le diamètre correspondant pour évacuer l'eau.

La connexion au réseau de distribution de l'eau est effectuée conformément à la figure 1 à l'aide des tuyaux en cuivre, métaloplastique et plastique et des tuyaux flexibles sanitaires. Il est interdit d'utiliser les tuyaux flexibles usés. Il est recommandé d'amener l'eau dans CHE par le filtre collecteur de boue installé sur la conduite de l'eau froide (ne fait pas partie du lot de livraison).

**Figure 1. Schéma de connexion de CHE à la canalisation d'eau**



**Figure 1:** 1 – Chauffe-eau, 2 – Tuyau de connexion de l'eau chaude, 3 – Tuyau de connexion de l'eau froide, 4 – Soupape de purge, 5 – Soupape de sûreté, 6 – Drainage aux égouts, 7 – Tuyauterie d'amenée, 8 – Fermer le robinet d'arrêt pendant l'exploitation du chauffe-eau, 9 – Tuyauterie d'approvisionnement en eau froide, 10 – Tuyauterie d'approvisionnement en eau chaude, 11 – Robinet d'arrêt de l'amenée de l'eau froide, 12 – Robinet d'arrêt de l'amenée de l'eau chaude, 13 – Couvercle de

protection, 14 – tuyau d'échappement de la soupape de sécurité, 15 – manche pour ouvrir la soupape de sécurité, 16 – panneau de commande.

Après la connexion ouvrez le robinet d'amenée de l'eau froide воды (Fig. 1, p. 11) dans le chauffe-eau, le robinet de sortie de l'eau chaude du chauffe-eau (Fig. 1, p. 12) et le robinet de l'eau chaude du mélangeur pour assurer l'évacuation de l'air du chauffe-eau. Quand le chauffe-eau aura été rempli, l'eau coulera du robinet. Fermez le robinet de l'eau chaude du mélangeur.

Lors de l'installation du chauffe-eau dans les endroits sans réseau de distribution de l'eau il est admis d'amener l'eau du réservoir complémentaire en utilisant la station de pompage ou du réservoir situé à la hauteur de 5 m au moins du point le plus haut du chauffe-eau.

Attention: Pour faciliter le service du chauffe-eau pendant l'opération il est recommandé d'installer la soupape de purge (Fig.1, p. 4) conformément au dessin 1 (pour les modèles non équipés par le tuyau de raccord d'évacuation (ne fait pas partie du lot de livraison de CHE)).

Si la pression dans le réseau de distribution de l'eau dépasse 0.7 MPa, il faut installer la soupape concernée (ne fait pas partie du lot de livraison de CHE) de réduction de la pression de l'eau froide jusqu'à la norme à l'entrée de l'eau froide dans le chauffe-eau avant la soupape de sûreté.

## 9. CONNEXION AU RÉSEAU ÉLECTRIQUE



**Avant de brancher l'alimentation électrique assurez que le chauffe-eau est rempli avec de l'eau.**

Le chauffe-eau est équipé de câble du réseau avec la fiche.

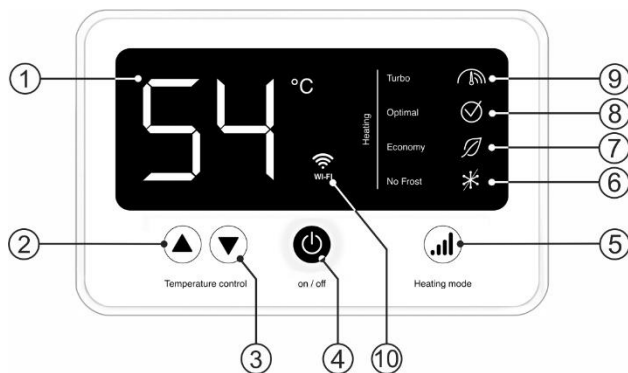
La prise électrique doit avoir le contact de mise à la terre et être disposée dans un endroit protégé contre l'infiltration de l'eau

La puissance de l'appareil fait 2000 Wt. La prise de courant et le câblage électrique y connecté doivent être désignés pour la puissance nominale de 2000 Wt au moins.

Faire glisser la fourchette dans la prise de courant.

## 10. OPÉRATION

Figure 2. Panneau électronique de commande



**Figure 2:** 1 – Écran LCD, 2 – le bouton «▲» Temperature control / augmentation de la température de chauffage, 3 – le bouton «▼» Temperature control / réduction de la température de chauffage, 4 – le bouton «on/off» / activation/désactivation, 5 – le bouton «Heating mode» / installation de la puissance de chauffage, 6 – le bouton de mode «No Frost», 7 – le bouton «Economy» / puissance minimale, 8 – le bouton «Optimal» / puissance standard, 9 – le bouton «Turbo» / puissance maximale, 10 – "Wi-Fi".

Le chauffe-eau électrique est activé/éteint par le bouton central «on/off» du panneau de contrôle (Fig. 2, p. 4), cela affiche une température de chauffage définie sur l'écran. Après 2,5 secondes, la température actuelle de l'eau dans le chauffe-eau électrique est affichée sur l'écran.. Le choix de la puissance de chauffage est effectué par le bouton «Heating mode» (Fig. 2, p. 5), dans le panneau de contrôle. 2 kW mode accompagné d'une indication de la lampe de contrôle «Turbo» (Fig. 2, p. 9), 1,3 kW mode accompagné d'une indication de la lampe de contrôle «Optimal» (Fig. 2, p. 8), 0,7 kW mode accompagné d'une indication de la lampe de contrôle «Economy» (Fig. 2, p. 7).

Lors de l'utilisation du chauffe-eau électrique, le consommateur peut ajuster la température de chauffage à l'aide de deux touches «▲» «▼» Temperature control (Fig. 2, p. 2 и p. 3).

Si vous n'utilisez pas CHE pendant la période d'hiver et il existe la possibilité de congélation des conduites d'eau, il est recommandé de déconnecter l'alimentation et évacuer l'eau de CHE pour éviter l'endommagement du réservoir intérieur.

Pour le contrôle à partir d'un appareil mobile, le chauffe-eau dispose d'une fonction Wi-Fi.

1. Installez l'application "Tuya Smart" depuis GooglePlay ou AppStore. Créer un compte.
2. Rendez-vous dans la rubrique «Large Home Appliances»
3. Sélectionnez "Boiler (Wi-Fi)"
4. La connexion est établie lorsque l'appareil est éteint (en mode veille).
5. Appuyez simultanément sur les boutons UP  $\Delta$  et DOWN  $\nabla$  et maintenez-les enfoncés jusqu'à ce que l'icône de connexion sans fil commence à clignoter sur l'écran.
6. Juste après cela, appuyez sur le bouton "Add an appliance" dans l'application Tuya Smart
7. Dans l'application "Tuya Smart":
  - suivez ensuite les instructions d'application.

Les échecs:

- assurez-vous que la fonction Wi-Fi est activée sur votre appareil mobile
- assurez-vous d'être connecté au réseau Internet 2,4 GHz

En cas de défaillance du contrôle sans fil via Wi-Fi, assurez-vous que le réseau Wi-Fi fonctionne, que la connexion Internet est disponible et que l'application Tuya Smart fonctionne correctement. Veuillez contacter votre fournisseur d'accès Internet pour corriger les défaillances du réseau Wi-Fi et contacter le développeur de l'application pour remédier aux bogues de fonctionnement de l'application, le cas échéant.

## 11. ENTRETIEN

L'entretien et le remplacement de l'anode en magnésium sont les conditions obligatoires pour le fonctionnement de longue durée du chauffe-eau. Le non-respect de ces conditions est le motif de refus de garantie. L'entretien et le remplacement de l'anode en magnésium sont effectués une fois par an au moins et ne sont pas couverts de garantie du fabricant et du vendeur.

Lors de l'entretien il faut vérifier l'état de l'anode en magnésium et la présence de dépôts sur le chauffe-eau tubulaire. En même temps les dépôts dans la partie basse du chauffe-eau sont éliminés.

Le premier remplacement de l'anode en magnésium doit être effectué au plus tard 12 mois à compter de la date d'installation de CHE. En l'absence de marque sur l'installation avec le sceau de l'organisation d'installation dans la carte de garantie, la période est calculée à partir de la date d'achat. Un entretien périodique et un remplacement annuel de l'anode en magnésium sont impératifs pour maintenir la garantie du fabricant. Le remplacement de l'anode doit être accompagné d'une marque sur la carte de garantie, en cas de remplacement par un organisme de service, ou d'un reçu d'achat joint, en cas de remplacement par le propriétaire.



## **La formation des dépôts sur le chauffe-eau tubulaire peut entraîner sa détérioration.**

NOTE : La détérioration du chauffe-eau tubulaire à cause des dépôts n'est pas couverte par la garantie. L'entretien régulier ne fait pas partie des obligations contractuelles du fabricant et du vendeur.

Pour l'entretien il faut effectuer les opérations suivantes ::

- Débrancher l'alimentation électrique du chauffe-eau.;
- Laisser refroidir l'eau chaude ou purger à travers le mélangeur;
- Fermer l'amenée de l'eau froide dans le chauffe-eau.;
- Dévisser la soupape de sûreté ou ouvrir la soupape de purge;
- Connecter le tuyau en caoutchouc au tuyau d'amenée de l'eau froide, diriger le deuxième bout dans la canalisation;
- Ouvrir le robinet de l'eau chaude du mélangeur et purger l'eau du chauffe-eau à travers le tuyau dans la canalisation;
- Enlever le couvercle, débrancher les fils, dévisser et retirer la bride de fixation du corps;
- Nettoyer si nécessaire le chauffe-eau tubulaire et éliminer les dépôts du réservoir;
- π Faire le montage, remplir le chauffe-eau avec de l'eau et brancher l'alimentation.

Dans les modèles équipés du tuyau draineur il suffit d'arrêter l'amenée de l'eau froide dans CHE, dévisser le bouchon sur le tuyau draineur et ouvrir le robinet de l'eau chaude. Quand l'eau sera évacuée vous pouvez ouvrir l'amenée de l'eau froide à CHE pour quelque temps pour réaliser le lavage supplémentaire du réservoir.

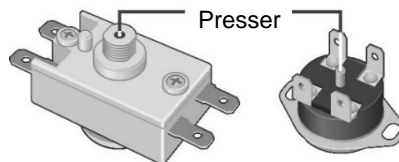
Lors de l'entretien du chauffe-eau par le service spécialisé le personnel fait l'inscription concernée dans le bon de service.

## 12. DÉFAILLANCES POSSIBLES ET MÉTHODES DE LEUR ÉLIMINATION.

Défaillance	Cause possible	Méthode de l'élimination
Diminution de la pression d'eau dans le chauffe-eau La pression d'eau est conservée	Obstruction de l'orifice d'aspiration de la soupape de sûreté	Enlevez la soupape et la lavez à l'eau
Augmentation du temps de chauffage	Couche des dépôts dans le chauffe-eau tubulaire	Démontez la flasque de serrage et nettoyez le chauffe-eau de calcin
	Diminution de la tension du réseau	Appelez au service d'exploitation du réseau électrique
Déclenchement fréquent du thermocommutateur	La température établie est près de la température limite	A l'aide du bouton «Temperature» réduire la température
	Le tube du dispositif de régulation thermostatique a des traces de dépôts	Sortir de CHE la bride d'appui et nettoyer soigneusement le tuyau de la crasse.
CHE marche mais ne chauffe pas l'eau	Le robinet (Figure 1, point 8) n'est pas fermé ou est en panne.	Fermer ou remplacer le robinet (Figure 1, point 8)
Le chauffe-eau branché au réseau électrique ne chauffe pas l'eau. Il n'y a pas d'affichage sur le panneau de commande	1) il n'y a pas de tension dans le réseau électrique; 2) le fil de réseau est endommagé.	1) Contrôlez la présence de la tension dans la prise de courant électrique; 2) Adressez-vous au centre de service spécialisé.

Les défaillances mentionnées ne sont pas les défauts du chauffe-eau et elles sont éliminées par l'utilisateur ou par les services spécialisés pour le compte de l'utilisateur.

**Figure 3. Schéma de placement du bouton de thermocommutateur**





### 13. TRANSPORT ET STOCKAGE DES CHAUFFE-EAUX ELECTRIQUES

Transport et stockage des chauffe-eaux électriques se réalisent en conformité des symboles de manipulation sur l'emballage:



— Nécessité de protéger le produit contre l'humidité



— Fragilité du produit, condition de manipulation prudente



— Gamme de température recommandée pour le stockage des produits: de +5°C à +40°C



— Position verticale régulière du produit;

### 14. RÉCUPÉRATION

En cas de respect des règles de l'utilisation, de l'installation et de l'entretien du chauffe-eau et de conformité de la qualité de l'eau utilisée aux normes en vigueur, le fabricant établit le délai de service de 9 ans dès l'achat du chauffe-eau. Pendant l'utilisation de CHE il est nécessaire de respecter les lois écologiques locales et les recommandations. Le fabricant se réserve le droit de modifier la construction et les caractéristiques du chauffe-eau sans avis préalable.

### 15. GARANTIES DU FABRICANT

Le fabricant établit le délai de garantie du chauffe-eau de 2 ans, avec cela le délai de garantie des composants sont :

- réservoir (intérieur) - 5 ans;

- d'autres composants (élément chauffant, dispositif de régulation thermostatique, lampes-indicateurs, joints, indicateur de la température, soupape de sûreté) - 2 ans.

Le délai de garantie est calculé à partir de la date de vente du chauffe-eau. En cas d'absence ou de correction de la date de vente et du cachet du magasin, le délai de garantie est calculé à partir de la date du chauffe-eau. Date de fabrication du chauffe-eau est chiffré dans le numéro de série original sur la plaque d'identification de la couvercle du corps du chauffe-eau. Le numéro de série du chauffe-eau se compose de treize chiffres. Le troisième et le quatrième chiffre du numéro de série est l'année de fabrication, le cinquième et le sixième — le mois de fabrication, le septième et le huitième — le jour de fabrication du chauffe-eau. Toutes les réclamations pendant la période de garantie sont acceptées sous réserve de présentation ce manuel d'utilisation avec les marques de la firme productrice et la plaque d'identification sur le corps du chauffe-eau.

La garantie ne couvre que le chauffe-eau. La panne de la soupape de sécurité ou bien du fil d'alimentation ne donnent pas droit au remplacement de CHE. L'acheteur

(en cas de connexion par l'utilisateur) ou le service de montage sont responsables du respect des règles de l'installation et de la connexion.

Le premier remplacement de l'anode en magnésium doit être effectué au plus tard 12 mois à compter de la date d'installation de CHE. En l'absence de marque sur l'installation avec le sceau de l'organisation d'installation dans la carte de garantie, la période est calculée à partir de la date d'achat. Un entretien périodique et un remplacement annuel de l'anode en magnésium sont impératifs pour maintenir la garantie du fabricant. Le remplacement de l'anode doit être accompagné d'une marque sur la carte de garantie, en cas de remplacement par un organisme de service, ou d'un reçu d'achat joint, en cas de remplacement par le propriétaire.

Lors de l'installation et de l'utilisation du chauffe-eau l'utilisateur est obligé de respecter les exigences assurant le travail sans panne pendant la durée de garantie :

- effectuer les mesures de sécurité et les règles de l'installation, de la connexion, de l'utilisation et l'entretien mentionnés dans le présent manuel;
- exclure les détériorations mécaniques lors du stockage, du transport et du montage;
- exclure les détériorations de l'appareil suite à congélation de l'eau dedans;
- utiliser pour le chauffage l'eau sans additions mécaniques et chimiques (à voir le paragraphe 5).
- utiliser le chauffe-eau avec la soupape de sûreté en bon état du lot de la livraison du chauffe-eau (à voir le paragraphe 5).

Le fabricant n'est pas responsable des défauts à cause de la violation par le consommateur des règles de l'utilisation, de l'installation et de l'entretien du chauffe-eau mentionnées dans le présent manuel (y compris à cause des paramètres inadmissibles du réseau électrique et de distribution de l'eau) et à cause de l'intervention des tiers. Les réclamations de l'aspect général du chauffe-eau ne sont pas couvertes par la garantie.

La réparation et le remplacement des composants pendant le délai de garantie ne prolonge pas la durée de garantie en général. Le délai de garantie des composants réparés ou remplacés est d'un mois..

## **FABRICANT**

### **Fabricant:**

THERMEX heating Technology (Jiangmen) CO., Ltd

No. 51, Jianshedonglu, Taoyuan town, Heshan City, Guangdong Province, PRC



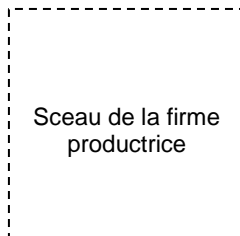
**Tous les modèles sont certifiés et sont conformes aux dispositions du Règlement technique de l'Union douanière.**

**16. MARQUE DE VENTE**

Modèle \_\_\_\_\_ N° de série \_\_\_\_\_

Date de vente « \_\_\_\_\_ » \_\_\_\_\_ 20 \_\_\_\_\_ r.

Firme productrice: \_\_\_\_\_

Signature de l'agent  
de la firme productrice \_\_\_\_\_

Le produit est complété, je n'ai aucune prétention par rapport à l'apparence du produit. Le manuel d'utilisation aux marques nécessaires reçu, les règles d'exploitation et les conditions de garantie lus et approuvés.

Signature du Client: \_\_\_\_\_



**WARRANTY CERTIFICATE 1 / TAGLIANDO DI GARANZIA 1 /  
GARANTIEZETTEL 1 / GARANTIEKAART 1 / BON DE GARANTIE 1**

<b>Model / Modello / Ausführung / Model / Modèle</b>		<b>Dealer's seal / Timbro del venditore / Siegel des verkäufers / Stempel van firma verkoper / Sceau de la firme productrice</b>
<b>Serial No. / Numero di matricola / Serie / Serie nr / Numéro de série</b>		
<b>Date of sale / Data di vendita / Verkaufsdatum / Verkoopdatum / Date de vente</b>		
<b>Dealer / Empresa-vendedor / Verkäufer / Firma verkoper / Firma productrice</b>		

To be filled by the dealer / Timbro del venditore / Wird von dem verkäufer ausgefüllt / Wordt ingevuld door firma-  
verkoper / À remplir uniquement par la firme productrice



**WARRANTY CERTIFICATE 2 / TAGLIANDO DI GARANZIA 2 /  
GARANTIEZETTEL 2 / GARANTIEKAART 2 / BON DE GARANTIE 2**

<b>Model / Modello / Ausführung / Model / Modèle</b>		<b>Dealer's seal / Timbro del venditore / Siegel des verkäufers / Stempel van firma verkoper / Sceau de la firme productrice</b>
<b>Serial No. / Numero di matricola / Serie / Serie nr / Numéro de série</b>		
<b>Date of sale / Data di vendita / Verkaufsdatum / Verkoopdatum / Date de vente</b>		
<b>Dealer / Empresa-vendedor / Verkäufer / Firma verkoper / Firma productrice</b>		

To be filled by the dealer / Timbro del venditore / Wird von dem verkäufer ausgefüllt / Wordt ingevuld door firma-  
verkoper / À remplir uniquement par la firme productrice

<b>Date of acceptance / Data di ricezione / Aufnahmedatum / Datum van ontvangst / Date d'acceptance</b>		Stamp of service center / Timbro del centro di assistenza / Siegel des servicebetriebs / Stempel van servicecentrum / Sceau du service client
<b>Issue date / Data do consegna / Ausgabedatum / Datum van uitgifte / Date de délivrance</b>		
<b>Defect / Difetto / Defekt / Gebrek / Défait</b>		
<b>Executed work / Lavori eseguiti / Durchgeführte Arbeiten / Gedane werkzaamheden / Travail produit</b>		
<b>Expert (full name) / Tecnico / Fachspezialist (name) Vakkundige (naam) / Réparateur (nom, prénom)</b>		

Filled in by service center / Riservato al centro di assistenza / Wird von dem Servicebetrieb ausgefüllt / Wordt ingevuld door het servicecentrum / À remplir uniquement par le service client

<b>Date of acceptance / Data di ricezione / Aufnahmedatum / Datum van ontvangst / Date d'acceptance</b>		Stamp of service center / Timbro del centro di assistenza / Siegel des servicebetriebs / Stempel van servicecentrum / Sceau du service client
<b>Issue date / Data do consegna / Ausgabedatum / Datum van uitgifte / Date de délivrance</b>		
<b>Defect / Difetto / Defekt / Gebrek / Défait</b>		
<b>Executed work / Lavori eseguiti / Durchgeführte Arbeiten / Gedane werkzaamheden / Travail produit</b>		
<b>Expert (full name) / Tecnico / Fachspezialist (name) Vakkundige (naam) / Réparateur (nom, prénom)</b>		

Filled in by service center / Riservato al centro di assistenza / Wird von dem Servicebetrieb ausgefüllt / Wordt ingevuld door het servicecentrum / À remplir uniquement par le service client



**WARRANTY CERTIFICATE 3 / TAGLIANDO DI GARANZIA 3 /  
GARANTIEZETTEL 3 / GARANTIEKAART 3 / BON DE GARANTIE 3**

<b>Model / Modello / Ausführung / Model / Modèle</b>		<b>Dealer's seal / Timbro del venditore / Siegel des verkäufers / Stempel van firma verkoper / Sceau de la firme productrice</b>
<b>Serial No. / Numero di matricola / Serie / Serie nr / Numéro de série</b>		
<b>Date of sale / Data di vendita / Verkaufsdatum / Verkoopdatum / Date de vente</b>		
<b>Dealer / Empresa-vendedor / Verkäufer / Firma verkoper / Firma productrice</b>		

To be filled by the dealer / Timbro del venditore / Wird von dem verkäufer ausgefüllt / Wordt ingevuld door firma-  
verkoper / À remplir uniquement par la firme productrice



**WARRANTY CERTIFICATE 4 / TAGLIANDO DI GARANZIA 4 /  
GARANTIEZETTEL 4 / GARANTIEKAART 4 / BON DE GARANTIE 4**

<b>Model / Modello / Ausführung / Model / Modèle</b>		<b>Dealer's seal / Timbro del venditore / Siegel des verkäufers / Stempel van firma verkoper / Sceau de la firme productrice</b>
<b>Serial No. / Numero di matricola / Serie / Serie nr / Numéro de série</b>		
<b>Date of sale / Data di vendita / Verkaufsdatum / Verkoopdatum / Date de vente</b>		
<b>Dealer / Empresa-vendedor / Verkäufer / Firma verkoper / Firma productrice</b>		

To be filled by the dealer / Timbro del venditore / Wird von dem verkäufer ausgefüllt / Wordt ingevuld door firma-  
verkoper / À remplir uniquement par la firme productrice

<b>Date of acceptance / Data di ricezione / Aufnahmedatum / Datum van ontvangst / Date d'acceptance</b>		Stamp of service center / Timbro del centro di assistenza / Siegel des servicebetriebs / Stempel van servicecentrum / Sceau du service client
<b>Issue date / Data do consegna / Ausgabedatum / Datum van uitgifte / Date de délivrance</b>		
<b>Defect / Difetto / Defekt / Gebrek / Défaut</b>		
<b>Executed work / Lavori eseguiti / Durchgeführte Arbeiten / Gedane werkzaamheden / Travail produit</b>		
<b>Expert (full name) / Tecnico / Fachspezialist (name) Vakkundige (naam) / Réparateur (nom, prénom)</b>		

Filled in by service center / Riservato al centro di assistenza / Wird von dem Servicebetrieb ausgefüllt / Wordt ingevuld door het servicecentrum / À remplir uniquement par le service client

<b>Date of acceptance / Data di ricezione / Aufnahmedatum / Datum van ontvangst / Date d'acceptance</b>		Stamp of service center / Timbro del centro di assistenza / Siegel des servicebetriebs / Stempel van servicecentrum / Sceau du service client
<b>Issue date / Data do consegna / Ausgabedatum / Datum van uitgifte / Date de délivrance</b>		
<b>Defect / Difetto / Defekt / Gebrek / Défaut</b>		
<b>Executed work / Lavori eseguiti / Durchgeführte Arbeiten / Gedane werkzaamheden / Travail produit</b>		
<b>Expert (full name) / Tecnico / Fachspezialist (name) Vakkundige (naam) / Réparateur (nom, prénom)</b>		

Filled in by service center / Riservato al centro di assistenza / Wird von dem Servicebetrieb ausgefüllt / Wordt ingevuld door het servicecentrum / À remplir uniquement par le service client

