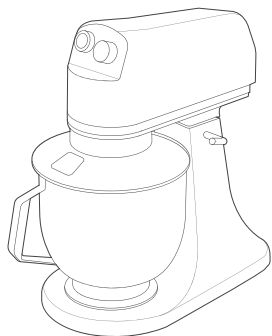


# USER MANUAL



## PLANETARY MIXER 7L

MODEL: 09300151  
09300152  
09300153  
09300154  
09360750  
09360755  
09360760  
09360765  
09360770  
09360775  
09360780  
09360785  
09360790

READ THIS MANUAL CAREFULLY BEFORE USING

LESEN SIE DIESE ANLEITUNG VOR DEM GEBRAUCH SORGFÄLTIG DURCH

LEA ATENTAMENTE ESTE MANUAL ANTES DE UTILIZARLO

LIRE CE MANUEL AVEC ATTENTION AVANT DE L'UTILISATION

ΔΙΑΒΑΣΤΕ ΠΡΟΣΕΚΤΙΚΑ ΑΥΤΟ ΤΟ ΕΓΧΕΙΡΙΔΙΟ ΠΡΙΝ ΤΟ ΧΡΗΣΙΜΟΠΟΙΗΣΕΤΕ

LEGGERE ATTENTAMENTE QUESTO MANUALE PRIMA DELL'USO

LEES DEZE HANDLEIDING AANDACHTIG DOOR VOOR GEBRUIK

PRZED UŻYCIEM NALEŻY DOKŁADNIE PRZECZYTAĆ NINIEJSZĄ INSTRUKCJĘ

LEIA CUIDADOSAMENTE ESTE MANUAL ANTES DE O UTILIZAR

СІТІТЬСІ СУ АТЕНТІЄ АЦЕСТ МАНУАЛ ІНАНТЕ ДЕ УТИЛІЗАРЕ

ВНИМАТЕЛЬНО ПРОЧИТАЙТЕ ДАННОЕ РУКОВОДСТВО ПЕРЕД ИСПОЛЬЗОВАНИЕМ



**ENGLISH**

**PAGE: 03 - 11**

**DEUTSCH**

**SEITE: 13 - 21**

**ESPAÑOL**

**PÁGINA: 23 - 31**

**FRANÇAIS**

**PAGE: 33 - 41**

**ITALIANO**

**PAGINA: 43 - 51**

**NEDERLANDS**

**PAGINA: 53 - 61**

**POLSKI**

**STRONA: 63 - 71**

**PORTUGUÊS**

**PÁGINA: 73 - 81**

**ROMAN**

**PAGINA: 83 - 91**

**ΕΛΛΗΝΙΚΗ**

**ΣΕΛΙΔΑ: 93 - 101**

**РУССКИЙ**

**СТРАНИЦА: 103 - 111**

**1. PREFACE ..... 6**  
 1.1 Introduction.....6  
 1.2 General information.....6  
 1.3 Warranty.....6

**2. PRODUCT INFORMATION ..... 7**  
 2.1 Intended use.....7  
 2.2 Specifications.....7  
 2.3 Features.....7  
 2.4 Spare parts .....7

**3. TRANSPORT ..... 8**  
 3.1 Transport & handling .....8  
 3.2 Packaging.....8  
 3.3 Before use.....8

**4. INITIAL SET-UP ..... 8**  
 4.1 Wiring & connections.....8  
 4.2 Placement .....8

**5. OPERATION ..... 9**  
 5.1 How to use the appliance.....9  
 5.2 Cleaning.....9

**6. MAINTENANCE ..... 10**

**7. TROUBLESHOOTING ..... 10**

**8. STORAGE ..... 10**

**9. DISCARDING ..... 11**

**APPENDIX 1: FEATURES ..... 113**

**APPENDIX 2: SPARE PARTS ..... 114**

**APPENDIX 3: CIRCUIT DIAGRAM ..... 116**

## SAFETY INSTRUCTIONS

- This appliance may only be used for its designed purpose. Neither the manufacturer nor the supplier are liable for damage caused by the incorrect use of this item.
- This is a commercial product that should only to be used by those who have read and fully understand this manual. It must not be used by children, or persons with reduced physical, sensory or mental capabilities without supervision.
- This device is intended for indoor use only.
- Keep the appliance and electrical plug away from water and other liquids. If either is exposed to a liquid, immediately disconnect the power supply and have the appliance checked by a certified technician. Not following these instructions may result in electric shock, or even death.
- Do not use the appliance after it has fallen or if is damaged in any way. Have it checked and repaired by a certified technician.
- Do not move the appliance while in operation and never move or carry the appliance by the power cord.
- Do not place or move the appliance on its side, upside-down or while tilted.
- Do not open the casing or try to repair the appliance yourself, unless instructed to by a Maxima technician. This may void the warranty, cause damage to the machine or result in a hazardous situation.
- Do not use any devices or accessories that are not supplied with the appliance or designed to work with it.
- Never put your hands or other body parts near the moving parts of the appliance while operational and always keep an eye on the appliance when in use.
- Do not insert objects in the casing or openings of the appliance.
- Avoid overloading the appliance.

- Keep all packaging away from children and dispose of packaging in accordance with local and national regulations.
- The electrical installation must comply with local regulations.
- Switch off the appliance before removing the power plug.
- Always disconnect the power supply when the appliance is not in use. To remove the plug from the socket, always pull the plug itself and not the cable.
- Do not touch the power plug with damp or wet hands.
- Keep the power cable away from the range of operation and do not cover the cable. Make sure the power cable does not come in contact with hot or sharp objects and keep it away from open flames.
- Note that while the plug is in the electrical socket, the appliance is connected to the electrical grid.

## SAFETY SYMBOLS



- Store product between 10-30°C
- Avoid placement in direct sunlight
- Product intended for indoor use
- Basic electrical insulation: requires grounded connection
- Product disposal according to local waste regulations
- Product meets CE requirements

# 1. PREFACE

## 1.1 Introduction

Thank you for purchasing this product from Maxima. To ensure your own safety and to get the best out of your purchase, please read the instructions carefully before attempting to install or use this product. This manual should be available at all times and stored near the appliance.

All Maxima products are CE certified. Our products meet the legal requirements regarding health, safety and the environment, as set out by the European Commission. In addition, all products are thoroughly tested prior to shipment to ensure product quality and safety.

## 1.2 General information

For after sales support, please visit our Customer Service page at: [www.maxima.com/en/service](http://www.maxima.com/en/service). User manuals are available online and can be downloaded electronically from the product's page on our website. If the manual for your product is not available, please contact Customer Service. For more information, visit our website: [www.maxima.com](http://www.maxima.com)

## 1.3 Warranty

We offer a 12-month warranty from the date of purchase, as indicated on your purchase invoice. Under the warranty, we will deliver additional spare parts in case of: material defects, manufacturing defects or other quality issues.

The following is not covered by the warranty:

- Damage relating to the incorrect use of the product
- Damage relating to use of parts that were not part of the original machine
- Damage due to transport to another location after delivery, or incorrect installation and connection
- Component damage caused by incorrect electrical or water connection
- Damage as a result of disassembly and/or modification to the original machine without permission
- Damage as a result of misuse, poor cleaning or improper maintenance
- Damage as a result of fire, building collapse, lightning, flooding, power surges or vermin
- Failure to read or follow the user manual
- Consumables and parts prone to wear and tear
- An altered invoice or no invoice

## 2.1 Intended use

This appliance may only be used for the purpose for which it was designed and intended. The manufacturer and supplier are not liable for any damage caused by incorrect operation and improper use.

This is a commercial product that must only be used by a trained professional who has read and understands this manual. It must not be used by children or persons with reduced capabilities without supervision.

## 2.2 Specifications

| MAXIMA PLANETARY MIXER 7L |                       |             |                       |           |             |               |
|---------------------------|-----------------------|-------------|-----------------------|-----------|-------------|---------------|
| Article Code              | Dimensions (cm)       | Weight (kg) | Input                 | Power (W) | Speed (RPM) | Bowl Capacity |
| 09300151                  | W24,0 x D42,5 x H42,5 | 17          | 220V / 50Hz / 1 Phase | 350       | 100 - 938   | 6,5 Litres    |
| 09300152                  |                       |             |                       |           |             |               |
| 09300153                  |                       |             |                       |           |             |               |
| 09300154                  |                       |             |                       |           |             |               |
| 09360750                  |                       |             |                       |           |             |               |
| 09360755                  |                       |             |                       |           |             |               |
| 09360760                  |                       |             |                       |           |             |               |
| 09360765                  |                       |             |                       |           |             |               |
| 09360770                  |                       |             |                       |           |             |               |
| 09360775                  |                       |             |                       |           |             |               |
| 09360780                  |                       |             |                       |           |             |               |
| 09360785                  |                       |             |                       |           |             |               |
| 09360790                  |                       |             |                       |           |             |               |

## 2.3 Features

Maxima's products offer a wide range of features. You can read more about these in Appendix 1.

## 2.4 Spare parts

An exploded view and list of the spare parts is available in Appendix 2.

## 3. TRANSPORT

### 3.1 Transport & handling

This appliance needs to be lifted by two or more people. Remember to always lift from the legs and not the back. Never try to lift or move objects beyond your capabilities. Ask for assistance or use the appropriate equipment, if necessary.

### 3.2 Packaging

Unpack and inspect your purchase immediately after receipt. If there are any latent defects or damage to the item, please contact your supplier immediately. Save all packaging materials in case the machine needs to be returned or inspected by the courier.

### 3.3 Before use

Remove any protective film from any surfaces and clean the appliance and accessories thoroughly before use (see section 6 on "Maintenance").

## 4. INITIAL SET-UP

### 4.1 Wiring & connections

If your machine is supplied with a factory fitted molded plug then you may plug the unit into a standard electrical outlet. Make sure that the voltage of the machine and the wall outlet are compatible.

If your machine is not supplied with a factory fitted molded plug then a certified electrician must be contracted to wire the unit to the power supply.

Please find the circuit diagram in Appendix 3.

### 4.2 Placement

The appliance must be positioned on a stable, flat surface. Choose a surface where there is no direct sunlight and is not close to a direct heat source, such as a cooker, oven or radiator.

When positioning the appliance, keep a distance of 10cm (4") between the appliance and walls, or other objects for ventilation and ease of use.

Position the appliance so that the plug is accessible at all times. Always plug the power cord into a compatible, grounded socket.



## 5.1 How to use the appliance

- Use the lever located on the side of the appliance to loosen and tilt the motor head upwards.
- Add your ingredients to the mixing bowl or rotate the mixing bowl to remove it completely. Make sure the mixing bowl is locked back in place afterwards.
- i** The transparent safety cover can be removed if desired. However, it is recommended to always use the appliance with the safety cover in place.
- Mount the desired attachment: whisk, dough hook or mixing wing.
- Once the bowl and attachment are ready, lower the motor head and secure it by tightening the lever. The appliance will not operate if the head is not lowered properly due to the safety feature.
- Select a speed using the speed dial and press the start button to activate the appliance.
- !** Always start mixing at a low speed and gradually increase the speed as required. The speed can be adjusted during operation, without problem.
- If you notice that the appliance has difficulty mixing at the set speed, lower the speed or reduce the quantity of product being processed.
- i** Please do not operate the appliance for more than 30 consecutive minutes, and cease operation completely for at least ~15 minutes between mixing cycles.
- !** To protect the motor from damage, the appliance is fitted with an overload protection. When triggered, the appliance shuts down automatically and must be left to cool down for 60 minutes before resuming operations (see table below). You can restart the machine by pressing the reset button on the back of it after it cooled down.
- i** Any damage caused by overloading the motor is not covered by warranty.
- When finished, reduce the mixing speed to the lowest setting and switch off the appliance.
- Thoroughly clean the appliance after every use.
- If the appliance will not be used for a longer period, always disconnect the power.

## 5.2 Cleaning

- Regularly check and clean the appliance, its parts and accessories.
- Always switch off and disconnect the power and gas supply before any cleaning or maintenance.
- Never use aggressive or abrasive cleaning agents. Do not use solvents or petroleum based cleaning agents. Some cleaning agents may leave a harmful residue or cause damage to the machine. Use a mild food-safe cleaning product instead.
- Do not use a scourer or any sharp objects during cleaning as this may cause damage to the machine.
- Never hose down the machine or immerse it in water or any other liquid. Instead wipe the exterior with a damp cloth. Do not use a steamer to clean the machine.
- Never let the power cable or power plug get wet.
- The bowl is suitable to place in the dishwasher.

## 6. MAINTENANCE

Check the mains plug and mains cable regularly for damage. Do not continue to use the appliance if it is damaged. Have the unit repaired by a certified electrical technician.

| INTERVAL | ACTION                  | DESCRIPTION  |
|----------|-------------------------|--|
| Daily    | Cleaning & disinfecting | Thoroughly clean appliance and accessories after every use with a soft cloth and food-safe detergent |
| Weekly   | Surface cleaning        | It's recommended to wipe the exterior of the appliance at least once a week                          |
| Yearly   | Lubricate gears         | Remove top motor head cover and lubricate the gears  |

## 7. TROUBLESHOOTING

| PROBLEM                     | POSSIBLE CAUSE                             | POSSIBLE SOLUTION   |
|-----------------------------|--|---|
| The appliance does not work | The appliance is switched off              | Switch on the appliance                                   |
|                             | The power supply is interrupted            | Check the power supply, plug in power cable               |
|                             | The voltage is not correct                 | Use a compatible power source                             |
|                             | Overload protection activated              | Press on the black button on the back side of the machine |
| Unusual noise               | Gears damaged or insufficiently lubricated | Replace damaged part and/or lubricate gears               |
|                             | Too heavy load                             | Reduce load   |
|                             | Accessory or bowl not attached properly    | Make sure parts are fixed in position                     |
| Appliance stopped working   | Overload protection activated              | Wait 15 minutes and reset overload protection switch      |
| Not mixing properly         | Wrong speed setting                        | Change speed  |
|                             | Too heavy load                             | Reduce load   |

## 8. STORAGE

Roll the power cable up and store it safely. Make sure the appliance is thoroughly cleaned before storing it away. Store in a cool, dry place.



When disposing of this appliance, please do so in compliance with local and national regulations. It's also important to dispose of any related materials correctly. This piece of equipment may contain packaging and accessories that have to be collected and disposed of separately. These should not be treated as unsorted municipal waste.

**Recycling:** By disposing of waste in the proper manner, you help avoid hazards in the environment that could be caused by improper treatment of waste.

**Packaging:** The packaging is made from materials to be disposed of through local recycling facilities.

**Batteries:** If the machine contains a battery, these may contain toxic substances and are a hazard to the environment. Please dispose of used or rechargeable batteries responsibly through a local collection point.

**Electronics:** If this appliance contains electronic parts, please dispose of electrical waste at a recycling collection point for electronic equipment.



|  |            |
|--|------------|
| <b>1. EINLEITUNG .....</b>             | <b>16</b>  |
| 1.1 Einführung .....                   | 16         |
| 1.2 Allgemeine Informationen .....     | 16         |
| 1.3 Gewährleistung .....               | 16         |
| <b>2. PRODUKTINFORMATIONEN .....</b>   | <b>17</b>  |
| 2.1 Verwendungszweck .....             | 17         |
| 2.2 Technische Daten .....             | 17         |
| 2.3 Funktionen .....                   | 17         |
| 2.4 Ersatzteile .....                  | 17         |
| <b>3. TRANSPORT .....</b>              | <b>18</b>  |
| 3.1 Transport u. Handhabung .....      | 18         |
| 3.2 Verpackung .....                   | 18         |
| 3.3 Vor Gebrauch .....                 | 18         |
| <b>4. INBETRIEBNAHME .....</b>         | <b>18</b>  |
| 4.1 Verkabelung u. Anschlüsse .....    | 18         |
| 4.2 Platzierung .....                  | 18         |
| <b>5. BETRIEB .....</b>                | <b>19</b>  |
| 5.1 Bedienungsanleitung .....          | 19         |
| 5.2 Reinigung .....                    | 19         |
| <b>6. WARTUNG .....</b>                | <b>20</b>  |
| <b>7. FEHLERBEHEBUNG .....</b>         | <b>20</b>  |
| <b>8. AUFBEWAHRUNG .....</b>           | <b>20</b>  |
| <b>9. ENTSORGUNG .....</b>             | <b>21</b>  |
| <b>ANHANG 1. FUNKTIONSUMFANG .....</b> | <b>113</b> |
| <b>ANHANG 2. ERSATZTEILE .....</b>     | <b>114</b> |
| <b>ANHANG 3. STROMLAUFPLAN .....</b>   | <b>116</b> |

## SICHERHEITSHINWEISE

- Gerät darf nur für den vorgesehenen Zweck verwendet werden. Weder Hersteller noch Lieferant haften für Schäden aus fehlerhafter Handhabung dieses Artikels.
- Dieses Handelserzeugnis ist nur von Personen zu verwenden, die diese Anleitung gelesen und vollständig verstanden haben. Es darf nicht von unbeaufsichtigten Kindern oder Personen mit reduzierten physischen, sensorischen oder mentalen Fähigkeiten verwendet werden.
- Gerät ist nur für den Gebrauch im Innenbereich vorgesehen.
- Gerät und elektrische Stecker von Wasser und anderen Flüssigkeiten fernhalten. Andernfalls sofort die Stromversorgung unterbrechen und Gerät von einem geprüften Techniker kontrollieren lassen. Nichtbefolgung dieser Anleitung kann zu Stromschlag oder Tod führen.
- Wenn es heruntergefallen oder irgendwie beschädigt ist, Gerät nicht mehr verwenden, sondern von einem geprüften Techniker kontrollieren und reparieren lassen.
- Gerät nicht bewegen, während es in Betrieb ist und nie am Netzkabel bewegen oder tragen.
- Gerät nicht auf eine Seite, umgedreht oder geneigt platzieren oder bewegen.
- Gehäuse nicht öffnen oder versuchen Gerät selbst zu reparieren, es sei denn unter Aufsicht eines Maxima-Technikers. Dadurch kann die Garantie erlöschen, das Gerät Schaden nehmen oder eine gefährdende Situation entstehen.
- Keine Geräte oder Zubehörteile verwenden, die nicht dem Gerät geliefert wurden oder dafür konstruiert sind.
- In Betrieb nie Hände oder andere Körperteile in die Nähe beweglicher Geräteteile bringen und das Gerät nicht unbeaufsichtigt betreiben.

- Keine Gegenstände in Gehäuse oder Öffnungen des Geräts stecken.
- Gesamte Verpackung von Kindern fernhalten und in Übereinstimmung mit örtlichen und nationalen Vorschriften entsorgen.
- Gerät nicht überladen.
- Die elektrische Anlage muss örtlichen Vorschriften entsprechen.
- Gerät vor Trennen des Netzsteckers ausschalten.
- Immer die Stromversorgung trennen, wenn das Gerät nicht in Gebrauch ist. Stecker immer am Stecker selbst und nicht am Kabel aus der Steckdose ziehen.
- Netzstecker nicht mit feuchten oder nassen Händen anfassen.
- Stromkabel immer vom Betriebsbereich fernhalten und nicht abdecken. Das Stromkabel darf auf keine Fall mit heißen oder scharfen Gegenständen in Kontakt kommen und ist von offenen Flammen fernzuhalten.
- Achtung: Während der Stecker in der Steckdose steckt, ist das Gerät mit dem Stromnetz verbunden.

## SICHERHEITSSYMBOL



- Produkt zwischen 10–30° C lagern
- Vermeiden Sie die Aufstellung in direktem Sonnenlicht
- Produkt ist für den Gebrauch im Innenbereich vorgesehen
- Einfache elektrische Isolierung: geerdeter Anschluss erforderlich
- Produktentsorgung gemäß den örtlichen Abfallvorschriften
- Produkt erfüllt CE-Anforderungen

# 1. EINLEITUNG

## 1.1 Einführung

Vielen Dank für den Kauf dieses Maxima-Geräts. Bevor du versuchst, das Gerät zu installieren oder zu verwenden, solltest Sie für Ihre eigene Sicherheit sorgen. Lesen Sie die Anleitung bitte aufmerksam, um Ihr Gerät optimal zu nutzen. Diese Anleitung sollte stets zur Hand sein und in der Nähe des Geräts aufbewahrt werden.

Alle Maxima-Geräte sind CE-zertifiziert. Darum erfüllen unsere Geräte den gesetzlichen Bestimmungen zu Gesundheit, Sicherheit und Umwelt, wie die Europäische Kommission sie vorschreibt. Vor dem Versandt werden alle Geräte zudem gründlich geprüft, um Produktqualität und -sicherheit zu gewährleisten.

## 1.2 Allgemeine Informationen

Rufen sie für den After-Sales-Support bitte unsere Seite für den Kundenservice auf: <https://maxima.com/de/kundendienst>. Benutzerhandbücher sind online verfügbar und können auf der Produktseite unserer Website heruntergeladen werden. Sollte das Handbuch deines Geräts nicht verfügbar sein, dann wende Sie sich an den Kundenservice. Weitere Informationen sind auf unserer Website zu finden: [www.maxima.com](http://www.maxima.com)

## 1.3 Gewährleistung

Wir geben ab Kaufdatum 12 Monate Gewährleistung, wie auf Ihrer Rechnung angegeben. Diese Garantie deckt die Lieferung von Ersatzteilen bei Materialfehlern, Herstellungsfehlern oder Qualitätsmängeln.

Was die Garantie nicht abdeckt:

- Schäden, die durch unsachgemäßen Gebrauch des Produkts entstanden sind
- Schäden, die auf die Verwendung von Teilen zurückzuführen sind, die nicht Teil der ursprünglichen Maschine waren
- Schäden durch den Transport an einen anderen Ort nach der Lieferung oder durch unsachgemäßen Einbau und Anschluss
- Beschädigung von Bauteilen durch falschen Elektro- oder Wasseranschluss
- Schäden infolge von unerlaubter Demontage und/oder Änderung des Originalgeräts
- Schäden infolge von Missbrauch, schlechter Reinigung oder unsachgemäßer Pflege
- Schäden infolge von Feuer, Einsturz eines Gebäudes, Blitzschlag, Flut, Überspannung oder Ungeziefer
- Nichtlesen oder Nichtbefolgen des Benutzerhandbuchs
- Verbrauchsgüter und Verschleißteile
- Bei abgeänderter oder fehlender Rechnung



## 2. PRODUKTINFORMATIONEN

DE

### 2.1 Verwendungszweck

Dieses Gerät darf nur für den Zweck verwendet werden, für den es konstruiert und vorgesehen ist. Hersteller und Lieferant haften nicht für Schäden infolge von fehlerhaftem Betrieb und nicht bestimmungsgemäßer Verwendung.

Dieses Handelserzeugnis ist nur von geschultem Fachpersonen zu verwenden, die dieses Handbuch gelesen und vollständig verstanden haben. Es darf nicht von unbeaufsichtigten Kindern oder Personen mit reduzierten Fähigkeiten verwendet werden.

### 2.2 Technische Daten

| MAXIMA PLANETARY MIXER 7L |                       |              |                       |              |                  |                  |
|---------------------------|-----------------------|--------------|-----------------------|--------------|------------------|------------------|
| Artikel                   | Abmessungen (cm)      | Gewicht (kg) | Eingangs              | leistung (W) | Drehzahl (U/min) | Fassungsvermögen |
| 09300151                  | W24,0 x D42,5 x H42,5 | 17           | 220V / 50Hz / 1 Phase | 350          | 100 - 938        | 6,5 Litres       |
| 09300152                  |                       |              |                       |              |                  |                  |
| 09300153                  |                       |              |                       |              |                  |                  |
| 09300154                  |                       |              |                       |              |                  |                  |
| 09360750                  |                       |              |                       |              |                  |                  |
| 09360755                  |                       |              |                       |              |                  |                  |
| 09360760                  |                       |              |                       |              |                  |                  |
| 09360765                  |                       |              |                       |              |                  |                  |
| 09360770                  |                       |              |                       |              |                  |                  |
| 09360775                  |                       |              |                       |              |                  |                  |
| 09360780                  |                       |              |                       |              |                  |                  |
| 09360785                  |                       |              |                       |              |                  |                  |
| 09360790                  |                       |              |                       |              |                  |                  |

### 2.3 Funktionen

Maxima-Geräte haben einen großen Funktionsumfang. Mehr dazu Erfahren Sie in Anhang 1.

### 2.4 Ersatzteile

Eine vollständige Stückliste dieses Geräts findet sich in Anhang 2.

## 3. TRANSPORT

### 3.1 Transport u. Handhabung

Gerät muss von zwei oder mehr Personen angehoben werden. Hinweis: Gerät immer aus den Beinen und nicht aus dem Rücken heben. Niemals Gegenstände versuchen zu heben, die über die eigene Kraft hinausgehen. Stattdessen um Hilfe bitten oder ggf. geeignete Ausrüstung verwenden.

### 3.2 Verpackung

Packen Sie Ihren Kauf sofort nach Erhalt aus und prüfen Sie ihn. Wenden Sie sich im Fall verborgener Mängel oder Schäden am Gerät sofort an Ihren Lieferanten. Bewahren Sie das ganze Verpackungsmaterial auf, falls das Gerät vom Transportunternehmen retourniert oder geprüft werden muss.

### 3.3 Vor Gebrauch

Entfernen Sie vor Gebrauch alle Schutzfolien von allen Oberflächen und reinige Gerät und Zubehör gründlich (siehe Abschnitt 8 „Pflege“).

## 4. INBETRIEBNAHME

### 4.1 Verkabelung u. Anschlüsse

Wenn Ihr Gerät ab Werk mit einem eingekapselten Steckverbinder geliefert wird, können Sie es in eine normale Steckdose stecken. Stellen Sie sicher, dass Gerät und Steckdose die gleiche elektrische Spannung haben.

Wenn das Gerät nicht ab Werk mit einem eingekapselten Steckverbinder geliefert wird, muss ein geprüfter Elektriker es an den Strom anschließen.

Schaltplan ist in Anhang 3 zu finden.

### 4.2 Platzierung

Das Gerät muss auf einer ebenen und stabilen Oberfläche platziert werden. Wählen Sie eine Fläche, auf die kein direktes Sonnenlicht fällt und die sich nicht in der Nähe einer direkten Wärmequelle befindet, wie z. B. Herd, Ofen oder Heizkörper.

Beim Aufstellen des Geräts ist ein Abstand von 10 cm (4 Zoll) zu Wänden oder anderen Gegenständen einzuhalten, um gute Belüftung und einfache Verwendung zu gewährleisten.

Das Gerät ist so aufzustellen, dass der Stecker jederzeit zugänglich ist. Das Netzkabel ist immer in eine passende geerdete Steckdose zu stecken.

### 5.1 Bedienungsanleitung

- Antriebskopf lässt sich mit dem Hebel an der Seite des Geräts lösen und hochklappen.
- Gib die Zutaten in die Rührschüssel oder drehe die Rührschüssel ganz heraus. Stelle sicher, dass die Rührschüssel danach wieder einrastet.
- i** Der durchsichtige Schutzdeckel kann auf Wunsch entfernt werden. Es empfiehlt sich aber, das Gerät immer mit aufgesetztem Schutzdeckel zu verwenden.
- Montiere den gewünschten Aufsatz: Schneebesen, Knethaken oder Rührflügel.
- Sind Schüssel und Aufsatz bereite, senke den Antriebskopf und ziehe ihn mit dem Hebel fest. Aufgrund der Sicherung setzt sich das Gerät nicht in Betrieb, wenn der Kopf nicht ganz gesenkt ist.
- Wähle am Einstellknopf eine Drehzahl und drücke den Startknopf, um das Gerät einzuschalten.
- !** Beginne immer mit einer niedrigen Drehzahl und erhöhe dann schrittweise, soweit erforderlich. Du kannst die Drehzahl während dem Betrieb ruhige anpassen.
- Wenn du feststellst, dass das Gerät bei der eingestellten Drehzahl Schwierigkeiten hat, verringere die Drehzahl oder die verarbeitete Produktmenge.
- i** Betreibe das Gerät nicht länger als 30 Minuten am Stück und nimm es zwischen Mischzyklen mindestens für rund 15 Minuten vollständig außer Betrieb.
- !** Das Gerät hat einen Überlastungsschutz, um es vor einem Motorschaden zu schützen. Wird dieser ausgelöst, so schaltet sich das Gerät von selbst aus und muss vor einem weiteren Betrieb 60 Minuten abkühlen (siehe folgende Tabelle). Sie können das Gerät neu starten, indem Sie die Reset-Taste auf der Rückseite des Geräts drücken, nachdem es abgekühlt ist.
- i** Schäden infolge einer Überlastung des Motors fallen nicht unter die Garantie.
- Reduziere am Ende die Drehzahl auf die niedrigste Stufe und schalte das Gerät ab.
- Reinige das Gerät nach jedem Gebrauch gründlich.
- Ziehe bei längerem Nicht-Gebrauch des Geräts bitte den Stecker aus der Steckdose.

### 5.2 Reinigung

- Prüfen und reinigen Sie das Gerät samt Teilen und Zubehör regelmäßig.
- Vor Reinigung oder Wartung ist immer die Strom- und/oder Gaszufuhr abzuschalten und zu trennen.
- Verwenden Sie niemals aggressive oder scheuernde Reinigungsmittel. Verwenden Sie keine Lösungsmittel oder Reinigungsmittel auf Benzinbasis. Einige Reinigungsmittel können schädliche Rückstände hinterlassen oder das Gerät beschädigen. Verwenden Sie stattdessen milde für Lebensmittel ungefähliche Reinigungsmittel.
- Reinigen Sie das Gerät nicht mit Scheuerschwämmen und scharfen oder spitzen Gegenständen, da dies zu Schäden am Gerät führen kann.
- Das Gerät darf nie abgespritzt oder in Wasser oder andere Flüssigkeiten getaucht werden. Wische die Außenseite stattdessen mit einem feuchten Tuch ab. Verwenden Sie zur Reinigung des Geräts keinen Dampfstrahler.
- Netzkabel oder Netzstecker darf niemals nass oder feucht werden.
- Die Schale ist für die Spülmaschine geeignet.

## 6. WARTUNG

Prüfen Sie Netzstecker und Netzkabel regelmäßig auf Beschädigungen. Verwende das Gerät bei Schäden nicht weiter. Lassen Sie das Gerät von einem zertifizierten Elektrotechniker reparieren.

| ZEITRAUM    | MASSNAHME                | BESCHREIBUNG  |
|-------------|--------------------------|---|
| Täglich     | Reinigung & Desinfektion | Reinigen Sie Gerät und Zubehör nach jedem Gebrauch gründlich mit einem weichen Tuch und lebensmittelfreundlichem Reinigungsmittel |
| Wöchentlich | Oberflächenreinigung     | Es wird empfohlen, das Gerät außen mindestens einmal pro Woche abzuwischen  |
| Jährlich    | Getriebe schmieren       | Deckel auf dem Antriebskopf entfernen und Getriebe schmieren  |

## 7. FEHLERBEHEBUNG

| PROBLEM                         | MÖGLICHE URSACHE                              | MÖGLICHE LÖSUNG   |
|---------------------------------|---|---|
| Gerät funktioniert nicht        | Gerät ist ausgeschaltet                       | Gerät einschalten   |
|                                 | Stromzufuhr ist unterbrochen                  | Stromversorgung prüfen, Netzkabel einstecken                  |
|                                 | Falsche elektrische Spannung                  | Kompatible Stromquelle verwenden                              |
|                                 | Überlastungsschutz aktiviert                  | Drücken Sie die schwarze Taste auf der Rückseite des Geräts   |
| Komisches Geräusch              | Getriebe beschädigt oder nicht gut geschmiert | Beschädigte Teile ersetzen und/oder Getriebe schmieren        |
|                                 | Überladen                                     | Beladung verringern   |
|                                 | Zubehör oder Schüssel nicht richtig befestigt | Teile müssen eingerastet sein                                 |
| Gerät hat aufgehört zu arbeiten | Überlastschutz aktiviert                      | 15 Minuten warten und Überlastschutz am Schalter zurücksetzen |
| Mischt nicht richtig            | Falsche Drehzahleinstellung                   | Drehzahl ändern   |
|                                 | Überladen                                     | Beladung verringern   |

## 8. AUFBEWAHRUNG

Rollen Sie das Stromkabel auf und verwahren Sie es an einem sicheren Ort. Das Gerät sollte vor Aufbewahrung gründlich gereinigt werden. An einem kühlen und trockenen Ort lagern.

## 9. ENTSORGUNG

DE

Entsorgen Sie dieses Gerät in Übereinstimmung mit örtlichen und nationalen Vorschriften. Ebenso wichtig ist es, zugehöriges Material ordnungsmäßig zu entsorgen. Dieses Gerät kann Verpackung und Zubehörteile umfassen, die getrennt gesammelt und entsorgt werden müssen. Diese gehören nicht in den Hausmüll.

**Recycling:** Durch sachgerechte Abfallentsorgung helfen Sie Umweltgefährdungen infolge von unsachgerechter Abfallbehandlung zu vermeiden.

**Verpackung:** Die Verpackungsmaterialien sollten in örtlichen Recyclingeinrichtungen entsorgt werden.

**Batterien:** Wenn das Gerät eine Batterie enthält, kann diese giftige Substanzen enthalten und eine Gefahr für die Umwelt darstellen. Bitte entsorgen Sie verbrauchte oder wiederaufladbare Batterien verantwortungsbewusst über eine örtliche Sammelstelle.

**Elektronik:** Wenn dieses Gerät elektronische Teile enthält, entsorgen Sie den Elektroschrott bitte bei einer Recycling-Sammelstelle für elektronische Geräte.



# ÍNDICE DE CONTENIDO

|  |            |
|--|------------|
| <b>1. PRÓLOGO</b> .....                        | <b>26</b>  |
| 1.1 Introducción .....                         | 26         |
| 1.2 Información general .....                  | 26         |
| 1.3 Garantía .....                             | 26         |
| <b>2. INFORMACIÓN DEL PRODUCTO</b> .....       | <b>27</b>  |
| 2.1 Uso previsto .....                         | 27         |
| 2.2 Especificaciones .....                     | 27         |
| 2.3 Características.....                       | 27         |
| 2.4 Lista de piezas.....                       | 27         |
| <b>3. TRANSPORTE</b> .....                     | <b>28</b>  |
| 3.1 Transporte y manipulación .....            | 28         |
| 3.2 Embalaje.....                              | 28         |
| 3.3 Antes de su uso .....                      | 28         |
| <b>4. CONFIGURACIÓN INICIAL</b> .....          | <b>28</b>  |
| 4.1 Cableado y conexiones.....                 | 28         |
| 4.2 Colocación .....                           | 28         |
| <b>5. OPERACIÓN</b> .....                      | <b>29</b>  |
| 5.1 Cómo utilizar el aparato.....              | 29         |
| 5.2 Limpieza .....                             | 29         |
| <b>6. MANTENIMIENTO</b> .....                  | <b>30</b>  |
| <b>7. SOLUCIÓN DE PROBLEMAS</b> .....          | <b>30</b>  |
| <b>8. ALMACENAMIENTO</b> .....                 | <b>30</b>  |
| <b>9. ELIMINACIÓN</b> .....                    | <b>31</b>  |
| <b>APÉNDICE 1. CARACTERÍSTICAS</b> .....       | <b>113</b> |
| <b>APÉNDICE 2. LISTA DE PIEZAS</b> .....       | <b>114</b> |
| <b>APÉNDICE 3. DIAGRAMA DEL CIRCUITO</b> ..... | <b>116</b> |

ES

## INSTRUCCIONES DE SEGURIDAD

- Este aparato solo puede ser usado para su fin previsto. Ni el fabricante ni el proveedor son responsables del daño causado por un uso incorrecto de este artículo.
- Este es un producto comercial y solo debería ser usado por aquellos que hayan leído y comprendido este manual. No debe ser usado por niños o por personas con capacidades físicas, sensoriales o mentales reducidas sin supervisión.
- Este dispositivo solo puede ser usado en interiores.
- Mantén el aparato y el enchufe eléctrico lejos del agua y otros líquidos. Si se expone a un líquido, desconecta de inmediato el suministro eléctrico y haz que un técnico cualificado revise el aparato. No seguir estas instrucciones puede resultar en descarga eléctrica e incluso la muerte.
- No utilices el aparato si se ha caído o está dañado. Haz que un técnico cualificado lo revise y repare.
- No muevas el aparato mientras está en funcionamiento y nunca lo muevas o transportes por el cable de alimentación.
- No coloques o muevas el aparato sobre su lateral, bocabajo o si está inclinado.
- No abras la cubierta o intentes reparar el aparato, a menos que así lo indique un técnico de Maxima. Esto puede anular la garantía, causar daños a la máquina o resultar en una situación peligrosa.
- No utilices dispositivos o accesorios no suministrados con el aparato o que no hayan sido diseñados para su uso con el aparato.
- Nunca pongas las manos u otras partes del cuerpo cerca de las partes móviles del aparato mientras está en funcionamiento y siempre vigila el aparato cuando esté en uso.
- No insertes objetos en la cubierta o aberturas del aparato.



- Mantén el embalaje alejado de los niños y deséchalo de acuerdo con las regulaciones locales y nacionales.
- Evita sobrecargar el aparato.
- La instalación eléctrica debe cumplir con las regulaciones locales.
- Apaga el aparato antes de desenchufarlo.
- Desconecta siempre el suministro eléctrico cuando no utilices el aparato. Para desenchufar el enchufe, tira del enchufe y no del cable.
- No toques el enchufe eléctrico con las manos mojadas.
- Mantén el cable alejado del campo de operación y no cubras el cable. Asegúrate de que el cable no entra en contacto con objetos calientes o afilados, y mantenlo alejado del fuego.
- Ten en cuenta que mientras el enchufe está en la toma de corriente, al aparato está conectado a la red eléctrica.

## SÍMBOLOS DE SEGURIDAD



- Almacenar el producto entre 10-30°C
- No lo coloque bajo la luz directa del sol
- El producto está destinado al uso en interiores
- Aislamiento eléctrico básico: requiere conexión a tierra
- Elimine el producto de acuerdo con la normativa local
- El producto cumple los requisitos de la CE

# 1. PRÓLOGO

## 1.1 Introducción

Gracias por comprar este producto de Maxima. Para garantizar tu seguridad y sacar el máximo partido a tu compra, lee las instrucciones antes de instalar este producto. Este manual debería estar disponible en todo momento, cerca del aparato.

Todos los productos Maxima cuentan con certificación CE. Por tanto, nuestros productos cumplen con los requisitos legales sobre salud, seguridad y medioambiente, tal como establece la Comisión Europea. Además, todos los productos se prueban exhaustivamente para garantizar la calidad y seguridad del producto.

## 1.2 Información general

Para asistencia de ventas, visita nuestra página de Atención al cliente: <https://maxima.com/es/servicio>. Los manuales del usuario están disponibles online y pueden ser descargados en la página del producto de nuestro sitio web. Si el manual de tu producto no está disponible, contacta con Asistencia al cliente. Para obtener más información, visita nuestro sitio web: [www.maxima.com](http://www.maxima.com)

## 1.3 Garantía

Ofrecemos una garantía de 12 meses desde la fecha de compra, indicada en tu factura de compra. Bajo la garantía, enviaremos piezas de repuesto adicionales en caso de: defecto material, defecto de fabricación u otros problemas de calidad.

Lo siguiente no está cubierto por la garantía:

- Daños relacionados con el uso incorrecto del producto.
- Daños relacionados con el uso de piezas que no eran parte de la máquina original.
- Daños debido al transporte a otra ubicación tras la entrega, o instalación y conexión incorrectas.
- Daños de los componentes causados por una conexión eléctrica o de agua incorrecta.
- Daños como resultado del desmontaje y/o modificación de la máquina original sin permiso.
- Daños como resultado de un mal uso, mala limpieza o mantenimiento inadecuado.
- Daño como resultado de incendio, derrumbe, tormentas eléctricas, inundación, subidas de tensión o plagas.
- No leer o seguir el manual del usuario.
- Consumibles y piezas propensas al desgaste por su uso.
- Una factura alterada o carencia de factura.

## 2. INFORMACIÓN DEL PRODUCTO

### 2.1 Uso previsto

Este aparato solo podrá ser usado para el fin para el cual fue diseñado y previsto. El fabricante y el proveedor no son responsables por los daños causados por una operación incorrecta y un uso inadecuado.

Este es un producto comercial y solo debería ser usado por profesionales formados que hayan leído y comprendido este manual. No debe ser usado por niños o por personas con capacidades reducidas sin supervisión.

ES

### 2.2 Especificaciones

| MAXIMA PLANETARY MIXER 7L |                       |           |                       |              |                 |            |
|---------------------------|-----------------------|-----------|-----------------------|--------------|-----------------|------------|
| Artículo                  | Dimensiones (cm)      | Peso (kg) | Tensión               | Potencia (W) | Velocidad (RPM) | Capacidad  |
| 09300151                  | W24,0 x D42,5 x H42,5 | 17        | 220V / 50Hz / 1 Phase | 350          | 100 - 938       | 6,5 Litres |
| 09300152                  |                       |           |                       |              |                 |            |
| 09300153                  |                       |           |                       |              |                 |            |
| 09300154                  |                       |           |                       |              |                 |            |
| 09360750                  |                       |           |                       |              |                 |            |
| 09360755                  |                       |           |                       |              |                 |            |
| 09360760                  |                       |           |                       |              |                 |            |
| 09360765                  |                       |           |                       |              |                 |            |
| 09360770                  |                       |           |                       |              |                 |            |
| 09360775                  |                       |           |                       |              |                 |            |
| 09360780                  |                       |           |                       |              |                 |            |
| 09360785                  |                       |           |                       |              |                 |            |
| 09360790                  |                       |           |                       |              |                 |            |

### 2.3 Características

Los productos de Maxima ofrecen una amplia gama de características. Puedes leer más sobre ellas en el Apéndice 1.

### 2.4 Lista de piezas

La lista completa de piezas de este aparato está disponible en el Apéndice 2.

## 3. TRANSPORTE

### 3.1 Transporte y manipulación

Este aparato debe ser levantado por dos o más personas. Recuerda levantar siempre desde las piernas y no desde la espalda. Nunca intentes levantar o mover objetos más allá de su capacidad. Pide ayuda o utiliza el equipo adecuado si es necesario.

### 3.2 Embalaje

Desempaqueta e inspecciona tu compra tras recibirla. Si observas defectos o daños en el artículo, ponte en contacto con tu proveedor de inmediato. Guarda los materiales de embalaje en caso de que la máquina deba ser devuelta o inspeccionada por el transportista.

### 3.3 Antes de su uso

Retira cualquier film protector de las superficies y limpia el aparato y sus accesorios antes de su uso (consulta la sección 6 "Mantenimiento").

## 4. CONFIGURACIÓN INICIAL

### 4.1 Cableado y conexiones

Si tu máquina se suministra con un enchufe moldeado instalado en fábrica, puedes enchufar la unidad en una toma eléctrica. Asegúrate de que la tensión de la máquina y la de la toma son compatibles.

Si tu máquina no se suministra con un enchufe moldeado instalado en fábrica, debes contactar con un electricista para cablear la unidad al suministro eléctrico.

Encontrarás el diagrama del circuito en el Apéndice 3.

### 4.2 Colocación

El aparato debe colocarse sobre una superficie plana y estable. Elige una superficie donde no haya luz solar directa y no esté cerca de una fuente de calor, como una placa de cocina, horno o radiador.

Al colocar el aparato, mantén una distancia de 10 cm (4 pulgadas) entre el aparato y las paredes u otros objetos para facilitar la ventilación y el uso.

Coloca el aparato de manera que el enchufe esté accesible en todo momento. Enchufa siempre el cable eléctrico en un enchufe compatible con conexión a tierra.

## 5. OPERACIÓN

ES

### 5.1 Cómo utilizar el aparato

- Utiliza la palanca ubicada en el lateral del aparato para soltar e inclinar el cabezal del motor hacia arriba.
- Añade tus ingredientes al bol de mezclado o gira el bol de mezclado para extraerlo completamente. Asegúrate de que el bol está bloqueado en su sitio cuando termines.
- i** La cubierta de seguridad transparente puede retirarse si se desea. Sin embargo, se recomienda usar siempre el aparato con la cubierta de seguridad puesta.
- Monta el accesorio deseado: varilla batidora, gancho de masa o aleta mezcladora.
- Una vez que el bol y el accesorio estén listos, baja el cabezal del motor y asegúralo apretando la palanca. El aparato no funcionará si el cabezal no está bajado correctamente.
- Selecciona una velocidad usando el dial de velocidad y pulsa el botón de inicio para activar el aparato.
- ⚠** Empieza a mezclar siempre a velocidad baja y aumenta gradualmente la velocidad según sea necesario. La velocidad puede ajustarse durante el proceso.
- Si observas que el aparato tiene problemas para mezclar a la velocidad establecida, baja la velocidad o reduce la cantidad de producto procesado.
- i** No utilices el aparato durante más de 30 minutos consecutivos, y deja de usarlo completamente durante al menos 15 minutos entre cada ciclo de mezclado/amasado.
- ⚠** Para proteger el motor, el aparato cuenta con una protección de sobrecarga. Cuando se activa, el aparato se apaga automáticamente y debe dejarse enfriar durante 60 minutos antes de reanudar la operación (ver tabla a continuación). Puede reiniciar la máquina pulsando el botón de reinicio situado en la parte posterior de la misma una vez que se haya enfriado.
- i** Cualquier daño causado por sobrecalentamiento del motor no está cubierto por la garantía.
- Cuando termines, reduce la velocidad al ajuste más bajo y apaga el aparato.
- Limpia el aparato tras cada uso.
- Si no va a utilizar el aparato durante un período más largo, desconéctalo del enchufe de corriente.

### 5.2 Limpieza

- Revisa y limpia periódicamente el aparato, sus piezas y accesorios.
- Siempre apaga y desconecta el suministro de energía y/o gas antes de la limpieza o el mantenimiento.
- Nunca utilices productos de limpieza agresivos o abrasivos. No utilices disolventes o productos de limpieza a base de petróleo. Algunos agentes de limpieza pueden dejar residuos dañinos o dañar el aparato. En su lugar, utiliza un producto de limpieza suave y apto para alimentos.
- No utilices estropajos ni objetos afilados o puntiagudos durante la limpieza, ya que esto puede dañar el aparato.
- Nunca laves el aparato con una manguera ni lo sumerjas en agua ni en ningún otro líquido. En su lugar, limpia el exterior con un paño húmedo. No utilices un vaporizador para limpiar el aparato.
- Nunca permitas que el cable de alimentación o el enchufe se mojen.
- El cuenco es apto para el lavavajillas.

## 6. MANTENIMIENTO

Comprueba regularmente el enchufe y el cable de alimentación para ver si están dañados. Si alguno de ellos está dañado, no utilices el aparato. En su lugar, haz que lo repare un ingeniero eléctrico certificado.

| INTERVALO  | ACCIÓN                  | DESCRIPCIÓN   |
|------------|-------------------------|---|
| Diario     | Limpieza y desinfección | Limpia a fondo el aparato y sus accesorios después de cada uso con un paño suave y detergente apto para alimentos |
| Semanal    | Limpieza de superficies | Se recomienda limpiar el exterior del aparato al menos una vez a la semana  |
| Anualmente | Lubricar engranajes     | Retirar la cubierta superior del cabezal del motor y lubricar los engranajes                                      |

## 7. SOLUCIÓN DE PROBLEMAS

| PROBLEMA                          | CAUSA POSIBLE                                     | SOLUCIÓN POSIBLE  |
|-----------------------------------|---|---|
| El aparato no funciona            | El aparato está apagado                           | Encender el aparato   |
|                                   | El suministro eléctrico está interrumpido         | Compruebe la fuente de alimentación, enchufe el cable de alimentación       |
|                                   | El voltaje no es correcto                         | Utilice una fuente de alimentación compatible                               |
|                                   | Protección contra sobrecarga activada             | Pulse el botón negro situado en la parte trasera de la máquina              |
| Ruido inusual                     | Engranajes dañados o insuficientemente lubricados | Sustituir la pieza dañada y/o lubricar los engranajes                       |
|                                   | Carga demasiado pesada                            | Reducir la carga  |
|                                   | Accesorio o cuba mal fijados                      | Asegúrese de que las piezas están fijadas en su posición                    |
| El aparato ha dejado de funcionar | Protección contra sobrecarga activada             | Espere 15 minutos y reinicie el interruptor de protección contra sobrecarga |
| No se mezcla correctamente        | Velocidad incorrecta                              | Cambiar la velocidad  |
|                                   | Carga demasiado pesada                            | Reducir la carga  |

## 8. ALMACENAMIENTO

Enrolla el cable de alimentación y guárdalo en lugar seguro. Asegúrate de que el aparato está bien limpio antes de guardarlo. Guardar el lugar fresco y seco.

## 9. ELIMINACIÓN

Cuando deseches este aparato, hazlo cumpliendo con las regulaciones locales y nacionales. También es importante desechar cualquier material relacionado de forma correcta. Este equipo puede contener embalaje y accesorios que deben ser recogidos y desechados por separado. No deberían tratarse como residuos municipales comunes.

**Reciclaje:** Al desechar los residuos de forma adecuada, ayudas a evitar peligros para el medioambiente que podrían estar causados por un tratamiento inadecuado de los residuos.

**Embalaje:** El embalaje está hecho a partir de materiales que deben desecharse en instalaciones de reciclado locales.

**Baterías:** Si la máquina contiene una batería, esta puede contener sustancias tóxicas y son un peligro para el medioambiente. Desecha las baterías usadas o recargables de forma responsable en un punto de recogida local autorizado.

**Componentes electrónicos:** Si este aparato contiene piezas electrónicas, desecha los residuos eléctricos en un punto de recogida de equipos electrónicos.

ES





# TABLE DES MATIÈRES

|   |            |
|---|------------|
| <b>1. PRÉFACE</b> .....                     | <b>36</b>  |
| 1.1 Introduction.....                       | 36         |
| 1.2 Informations générales.....             | 36         |
| 1.3 Garantie.....                           | 36         |
| <b>2. INFORMATIONS SUR LE PRODUIT</b> ..... | <b>37</b>  |
| 2.1 Utilisation prévue.....                 | 37         |
| 2.2 Spécifications.....                     | 37         |
| 2.3 Fonctionnalités.....                    | 37         |
| 2.4 Liste des pièces.....                   | 37         |
| <b>3. TRANSPORT</b> .....                   | <b>38</b>  |
| 3.1 Transport et manutention.....           | 38         |
| 3.2 Emballage.....                          | 38         |
| 3.3 Avant utilisation.....                  | 38         |
| <b>4. INSTALLATION INITIALE</b> .....       | <b>38</b>  |
| 4.1 Câblage et connexions.....              | 38         |
| 4.2 Mise en place.....                      | 38         |
| <b>5. FONCTIONNEMENT</b> .....              | <b>39</b>  |
| 5.1 Comment utiliser l'appareil.....        | 39         |
| 5.2 Nettoyage.....                          | 39         |
| <b>6. ENTRETIEN</b> .....                   | <b>40</b>  |
| <b>7. DÉPANNAGE</b> .....                   | <b>40</b>  |
| <b>8. STOCKAGE</b> .....                    | <b>40</b>  |
| <b>9. MISE AU REBUT</b> .....               | <b>41</b>  |
| <b>ANNEXE 1. FONCTIONNALITÉ</b> .....       | <b>113</b> |
| <b>ANNEXE 2. LISTE DES PIÈCES</b> .....     | <b>114</b> |
| <b>ANNEXE 3. SCHÉMA DU CIRCUIT</b> .....    | <b>116</b> |

FR

## CONSIGNES DE SÉCURITÉ

- Cet appareil ne doit être utilisé que pour l'usage auquel il est destiné. Ni le fabricant ni le fournisseur ne sont responsables des dommages causés par une utilisation incorrecte de cet article.
- Cet appareil est un produit commercial et ne doit être utilisé que par des personnes qui ont lu et bien compris ce manuel. Il ne doit pas être utilisé par des enfants ou des personnes aux capacités physiques, sensorielles ou mentales réduites sans surveillance.
- Cet appareil est destiné à être utilisé à l'intérieur uniquement.
- Conservez l'appareil et la fiche électrique à l'abri de l'eau et d'autres liquides. Si l'un ou l'autre est exposé à un liquide, débranchez immédiatement l'alimentation électrique et faites vérifier l'appareil par un technicien certifié. Le non-respect de ces instructions peut entraîner un choc électrique, voire un décès.
- N'utilisez pas l'appareil s'il est tombé ou s'il est endommagé de quelque façon que ce soit. Faites-le contrôler et réparer par un technicien agréé.
- Ne déplacez pas l'appareil lorsqu'il est en marche et ne le déplacez ou ne le portez jamais par le cordon d'alimentation.
- Ne placez pas et ne déplacez pas l'appareil sur le côté, à l'envers ou en l'inclinant.
- N'ouvrez pas le boîtier et n'essayez pas de réparer l'appareil vous-même, à moins qu'un technicien de Maxima ne vous le demande. Cela pourrait annuler la garantie, endommager l'appareil ou entraîner une situation dangereuse.
- N'utilisez pas de dispositifs ou d'accessoires qui ne sont pas fournis avec l'appareil ou conçus pour fonctionner avec lui.
- Ne mettez jamais vos mains ou d'autres parties du corps à proximité des parties mobiles de l'appareil lorsqu'il est en marche et gardez toujours un œil sur l'appareil lorsqu'il est en cours d'utilisation.
- N'insérez pas d'objets dans le boîtier ou les ouvertures de l'appareil.

- Conservez tous les emballages hors de portée des enfants et éliminez-les conformément aux réglementations locales et nationales.
- Évitez de surcharger l'appareil.
- L'installation électrique doit être conforme aux réglementations locales.
- Éteignez l'appareil avant de retirer la fiche d'alimentation.
- Débranchez toujours l'alimentation électrique lorsque l'appareil n'est pas utilisé. Pour retirer la fiche de la prise, tirez toujours sur la fiche elle-même et non sur le câble.
- Ne touchez pas la fiche d'alimentation avec des mains humides ou mouillées.
- Maintenez le câble d'alimentation à l'écart de la zone d'utilisation et ne le couvrez pas. Veillez à ce que le câble d'alimentation n'entre pas en contact avec des objets chauds ou tranchants et tenez-le éloigné des flammes nues.
- Notez que lorsque la fiche est dans la prise électrique, l'appareil est connecté au réseau électrique.

## SYMBOLES DE SÉCURITÉ



- Stockez le produit entre 10 et 30°C
- Évitez de le placer en plein soleil
- Produit destiné à un usage intérieur
- Isolation électrique de base : nécessite une mise à la terre
- Mise au rebut du produit conformément aux réglementations locales en matière de déchets
- Le produit est conforme aux exigences de la CE

# 1. PRÉFACE

## 1.1 Introduction

Nous vous remercions d'avoir acheté ce produit chez Maxima. Pour assurer votre propre sécurité et tirer le meilleur parti de votre achat, veuillez lire attentivement les instructions avant de tenter d'installer ou d'utiliser ce produit. Ce manuel doit être disponible à tout moment et rangé près de l'appareil.

Tous les produits Maxima sont certifiés CE. Par conséquent, nos produits répondent aux exigences légales en matière de santé, de sécurité et d'environnement, telles que définies par la Commission européenne. En outre, tous les produits sont testés de manière approfondie avant d'être expédiés afin de garantir la qualité et la sécurité du produit.

## 1.2 Informations générales

Pour obtenir une assistance après-vente, veuillez consulter la page de notre service client à l'adresse suivante: <https://maxima.com/fr/service>. Les manuels d'utilisation sont disponibles en ligne et peuvent être téléchargés sous forme électronique depuis la page du produit sur notre site web. Si le manuel correspondant à votre produit n'est pas disponible, veuillez contacter le service client. Pour plus d'informations, consultez notre site web : [www.maxima.com](http://www.maxima.com)

## 1.3 Garantie

Nous offrons une garantie de 12 mois à compter de la date d'achat, comme indiqué sur votre facture d'achat. Dans le cadre de la garantie, nous livrons des pièces de rechange supplémentaires en cas de : défauts matériels, défauts de fabrication ou autres problèmes de qualité.

Les éléments suivants ne sont pas couverts par la garantie :

- Les dommages liés à une utilisation incorrecte du produit
- Les dommages liés à l'utilisation de pièces qui ne faisaient pas partie de l'appareil d'origine
- Les dommages dus au transport vers un autre lieu après la livraison, ou à une installation et un raccordement incorrects
- Les dommages aux composants causés par un mauvais raccordement électrique ou à l'eau
- Les dommages résultant du démontage et/ou de la modification de l'appareil d'origine sans autorisation
- Les dommages résultant d'une mauvaise utilisation, d'un mauvais nettoyage ou d'un entretien inadéquat
- Les dommages résultant d'un incendie, de l'effondrement d'un bâtiment, de la foudre, d'une inondation, de surtensions ou de nuisibles
- La non-lecture ou le non-respect du manuel d'utilisation
- Les consommables et les pièces sujettes à l'usure
- Une facture altérée ou l'absence de facture

## 2. INFORMATIONS SUR LE PRODUIT

### 2.1 Utilisation prévue

Cet appareil ne doit être utilisé que pour l'usage pour lequel il a été conçu et prévu. Le fabricant et le fournisseur ne sont pas responsables des dommages causés par un fonctionnement incorrect et une utilisation non conforme.

Cet appareil est un produit commercial et ne doit être utilisé que par un professionnel qualifié qui a lu et compris ce manuel. Il ne doit pas être utilisé par des enfants ou des personnes aux capacités réduites sans surveillance.

FR

### 2.2 Spécifications

| MAXIMA PLANETARY MIXER 7L |                       |            |                       |               |                  |            |
|---------------------------|-----------------------|------------|-----------------------|---------------|------------------|------------|
| Article Code              | Dimensions (cm)       | Poids (kg) | Entrée                | Puissance (W) | Vitesse (tr/min) | Capacité   |
| 09300151                  | W24,0 x D42,5 x H42,5 | 17         | 220V / 50Hz / 1 Phase | 350           | 100 - 938        | 6,5 Litres |
| 09300152                  |                       |            |                       |               |                  |            |
| 09300153                  |                       |            |                       |               |                  |            |
| 09300154                  |                       |            |                       |               |                  |            |
| 09360750                  |                       |            |                       |               |                  |            |
| 09360755                  |                       |            |                       |               |                  |            |
| 09360760                  |                       |            |                       |               |                  |            |
| 09360765                  |                       |            |                       |               |                  |            |
| 09360770                  |                       |            |                       |               |                  |            |
| 09360775                  |                       |            |                       |               |                  |            |
| 09360780                  |                       |            |                       |               |                  |            |
| 09360785                  |                       |            |                       |               |                  |            |
| 09360790                  |                       |            |                       |               |                  |            |

### 2.3 Fonctionnalités

Les produits de Maxima offrent une large gamme de fonctionnalités. Vous pouvez en savoir plus sur celles-ci dans l'Annexe 1.

### 2.4 Liste des pièces

Une liste complète des pièces de cet appareil est disponible dans l'Annexe 2.

## 3. TRANSPORT

### 3.1 Transport et manutention

Cet appareil peut être soulevé et porté par une seule personne. N'oubliez pas de toujours soulever en prenant appui sur les jambes et non sur le dos. N'essayez jamais de soulever ou de déplacer des objets dont le poids dépasse vos capacités. Demandez de l'aide ou utilisez l'équipement approprié si nécessaire.

### 3.2 Emballage

Déballer et inspecter votre achat immédiatement après réception. Si l'article présente des vices cachés ou des dommages, contactez immédiatement votre fournisseur. Conservez tous les matériaux d'emballage au cas où l'appareil devrait être renvoyé ou inspecté par le service de livraison.

### 3.3 Avant utilisation

Retirez tout film de protection des surfaces et nettoyez soigneusement l'appareil et ses accessoires avant de l'utiliser (voir la section 6 « Entretien »).

## 4. INSTALLATION INITIALE

### 4.1 Câblage et connexions

Si votre appareil est fourni avec une fiche moulée montée en usine, vous pouvez brancher l'appareil sur une prise électrique standard. Assurez-vous que la tension de l'appareil et celle de la prise murale sont compatibles.

Si votre appareil n'est pas fourni avec une fiche moulée en usine, vous devez faire appel à un électricien certifié pour câbler l'appareil à l'alimentation électrique.

Vous trouverez le schéma électrique à l'Annexe 3.

### 4.2 Mise en place

L'appareil doit être placé sur une surface stable et plane. Choisissez une surface où il n'y a pas de lumière directe du soleil et qui n'est pas à proximité d'une source directe de chaleur, telle qu'une cuisinière, un four ou un radiateur.

Lors du positionnement de l'appareil, maintenez une distance de 10 cm (4") entre l'appareil et les murs ou d'autres objets pour assurer la ventilation et la facilité d'utilisation.

Placez l'appareil de manière à ce que la fiche soit accessible à tout moment. Branchez toujours le cordon d'alimentation dans une prise compatible et reliée à la terre.

## 5. FONCTIONNEMENT

FR

### 5.1 Comment utiliser l'appareil

- Utilisez le levier situé sur le côté de l'appareil pour desserrer et incliner la tête du moteur vers le haut.
- Ajoutez vos ingrédients dans le bol de mélange ou faites tourner le bol de mélange pour le retirer complètement. Veillez ensuite à ce que le bol de mélange soit bien verrouillé en place.
- ❗ Le couvercle de sécurité transparent peut être retiré si vous le souhaitez. Cependant, il est recommandé de toujours utiliser l'appareil avec le couvercle de sécurité en place.
- Montez l'accessoire souhaité : fouet, crochet pétrisseur ou batteur.
- Une fois que le bol et l'accessoire sont prêts, abaissez la tête du moteur et fixez-la en serrant le levier. L'appareil ne fonctionnera pas si la tête n'est pas abaissée correctement en raison du dispositif de sécurité.
- Sélectionnez une vitesse à l'aide du sélecteur de vitesse et appuyez sur le bouton de démarrage pour activer l'appareil.
- ⚠ Commencez toujours à mélanger à faible vitesse et augmentez progressivement la vitesse selon vos besoins. La vitesse peut être réglée en cours de fonctionnement, sans problème.
- Si vous constatez que l'appareil a du mal à mélanger à la vitesse réglée, diminuez la vitesse ou réduisez la quantité de produit.
- ❗ Ne faites pas fonctionner l'appareil pendant plus de 30 minutes consécutives, et cessez complètement de le faire pendant au moins ~15 minutes entre les cycles de mélange.
- ⚠ Pour protéger le moteur contre les dommages, l'appareil est équipé d'une protection contre les surcharges. Lorsqu'elle est déclenchée, l'appareil s'arrête automatiquement et il faut le laisser refroidir pendant 60 minutes avant de le remettre en marche (voir le tableau ci-dessous). Vous pouvez redémarrer l'appareil en appuyant sur le bouton de réinitialisation situé au dos de l'appareil une fois qu'il a refroidi.
- ❗ Tout dommage causé par une surcharge du moteur n'est pas couvert par la garantie.
- Lorsque vous avez terminé, réduisez la vitesse de mélange au niveau le plus bas et éteignez l'appareil.
- Nettoyez soigneusement l'appareil après chaque utilisation.
- Débranchez toujours l'appareil s'il n'est pas utilisé pendant une période prolongée.

### 5.2 Nettoyage

- Vérifiez et nettoyez régulièrement l'appareil, ses pièces et accessoires.
- Éteignez l'appareil et débranchez toujours l'alimentation électrique et l'arrivée de gaz avant tout nettoyage ou entretien.
- N'utilisez jamais de produits de nettoyage agressifs ou abrasifs. N'utilisez pas de solvants ou de produits de nettoyage à base de pétrole. Certains agents de nettoyage peuvent laisser des résidus nocifs ou endommager l'appareil. Utilisez plutôt un produit de nettoyage doux, compatible avec le contact alimentaire.
- N'utilisez pas de tampons à récurer ni d'objets tranchants pendant le nettoyage car cela pourrait endommager l'appareil.
- Ne jamais asperger l'appareil ni le plonger dans l'eau ou tout autre liquide. Au lieu de cela, essayez les surfaces extérieures avec un chiffon humide. N'utilisez pas de vapeur pour nettoyer l'appareil.
- Le câble et la fiche d'alimentation ne doivent jamais être mouillés.
- Le bol peut être mis au lave-vaisselle.

## 6. ENTRETIEN

Vérifiez régulièrement la fiche d'alimentation et le câble d'alimentation pour vous assurer qu'ils ne sont pas endommagés. Si l'un ou l'autre est endommagé, n'utilisez pas l'appareil. Au lieu de cela, faites-le réparer par un électricien certifié.

| PÉRIODICITÉ    | ACTION                    | DESCRIPTION  |
|----------------|---------------------------|--|
| Tous les jours | Nettoyage et désinfection | Nettoyez soigneusement l'appareil et les accessoires après chaque utilisation avec un chiffon doux et un détergent alimentaire |
| Hebdomadaire   | Nettoyage des surfaces    | Il est recommandé d'essuyer l'extérieur de l'appareil au moins une fois par semaine  |
| Annuel         | Lubrifier les engrenages  | Retirez le couvercle supérieur de la tête du moteur et lubrifiez les engrenages  |

## 7. DÉPANNAGE

| PROBLEME                      | CAUSE POSSIBLE                                    | SOLUTION POSSIBLE   |
|-------------------------------|---|---|
| L'appareil ne fonctionne pas  | L'appareil est éteint                             | Allumer l'appareil  |
|                               | L'alimentation électrique est coupée              | Vérifier l'alimentation électrique, brancher le câble d'alimentation                    |
|                               | La tension n'est pas correcte                     | Utiliser une source d'alimentation compatible   |
|                               | Protection contre les surcharges activée          | Appuyer sur le bouton noir à l'arrière de la machine                                    |
| Bruit inhabituel              | Engrenages endommagés ou insuffisamment lubrifiés | Remplacer la pièce endommagée et/ou lubrifier les engrenages                            |
|                               | Charge trop lourde                                | Réduire la charge   |
|                               | Accessoire ou bol mal fixé                        | S'assurer que les pièces sont fixées en position  |
| L'appareil ne fonctionne plus | Protection contre les surcharges activée          | Attendre 15 minutes et réinitialiser l'interrupteur de protection contre les surcharges |
| Ne mélange pas correctement   | Mauvais réglage de la vitesse                     | Modifier la vitesse   |
|                               | Charge trop lourde                                | Réduire la charge   |

## 8. STOCKAGE

Enroulez le câble d'alimentation et rangez-le en toute sécurité. Assurez-vous que l'appareil est bien nettoyé avant de le ranger. Rangez-le dans un endroit frais et sec.



## 9. MISE AU REBUT

Lorsque vous mettez cet appareil au rebut, veuillez le faire conformément aux réglementations locales et nationales. Il est également important de se débarrasser correctement de tout matériel connexe. Cet appareil peut contenir des emballages et des accessoires qui doivent être collectés et éliminés séparément. Ceux-ci ne doivent pas être traités comme des déchets municipaux non triés.

**Recyclage:** En éliminant les déchets de la manière appropriée, vous contribuez à éviter les risques pour l'environnement qui pourraient être causés par un traitement inadéquat des déchets.

**Emballage:** L'emballage est constitué de matériaux qui peuvent être éliminés par les installations de recyclage locales.

**Piles:** Si l'appareil contient une pile, celle-ci peut contenir des substances toxiques et constitue un danger pour l'environnement. Veuillez vous débarrasser des piles usagées ou rechargeables de manière responsable par le biais d'un point de collecte local.

**Électronique:** Si cet appareil contient des pièces électroniques, veuillez déposer les déchets électriques dans un point de collecte de recyclage des équipements électroniques.

FR



## INDICE DEI CONTENUTI

|   |            |
|---|------------|
| <b>1. PREFAZIONE</b> .....                    | <b>46</b>  |
| 1.1 Introduzione .....                        | 46         |
| 1.2 Informazioni generali .....               | 46         |
| 1.3 Garanzia.....                             | 46         |
| <b>2. INFORMAZIONI SUL PRODOTTO</b> .....     | <b>47</b>  |
| 2.1 Uso previsto .....                        | 47         |
| 2.2 Specifiche.....                           | 47         |
| 2.3 Caratteristiche .....                     | 47         |
| 2.4 Elenco delle parti .....                  | 47         |
| <b>3. TRASPORTO</b> .....                     | <b>48</b>  |
| 3.1 Trasporto e movimentazione.....           | 48         |
| 3.2 Imballaggio .....                         | 48         |
| 3.3 Prima dell'uso.....                       | 48         |
| <b>4. INSTALLAZIONE</b> .....                 | <b>48</b>  |
| 4.1 Cablaggio e connessioni .....             | 48         |
| 4.2 Posizionamento.....                       | 48         |
| <b>5. FUNZIONAMENTO</b> .....                 | <b>49</b>  |
| 5.1 Come utilizzare l'apparecchio .....       | 49         |
| 5.2 Pulizia .....                             | 49         |
| <b>6. MANUTENZIONE</b> .....                  | <b>50</b>  |
| <b>7. RISOLUZIONE DEI PROBLEMI</b> .....      | <b>50</b>  |
| <b>8. CONSERVAZIONE</b> .....                 | <b>50</b>  |
| <b>9. SMALTIMENTO</b> .....                   | <b>51</b>  |
| <b>APPENDICE 1. CARATTERISTICHE</b> .....     | <b>113</b> |
| <b>APPENDICE 2. ELENCO DELLE PARTI</b> .....  | <b>114</b> |
| <b>APPENDICE 3. SCHEMA DEL CIRCUITO</b> ..... | <b>116</b> |

## ISTRUZIONI DI SICUREZZA

- Usare questo apparecchio solo per gli scopi previsti. Il produttore e il fornitore non saranno responsabili dei danni causati dall'uso improprio del presente articolo.
- Questo prodotto commerciale deve essere usato solo da persone che abbiano letto e compreso il presente manuale. Non consentire ai bambini o alle persone con ridotte capacità fisiche, sensoriali o mentali di utilizzare il presente prodotto senza un'adeguata supervisione.
- Questo dispositivo è destinato al solo uso interno.
- Tenere l'apparecchio e la spina elettrica a distanza dall'acqua e dagli altri liquidi. Se uno dei due elementi dovesse entrare a contatto con un liquido, scollegare immediatamente l'alimentazione e far controllare l'apparecchio a un tecnico certificato. La mancata osservanza di queste istruzioni potrebbe causare scosse elettriche o la morte.
- Non utilizzare un apparecchio che abbia subito una caduta o un qualsiasi danno. Far controllare e riparare l'apparecchio da un tecnico certificato.
- Non spostare l'apparecchio se in funzione o trasportarlo per il cavo di alimentazione.
- Non collocare o spostare l'apparecchio su un lato, capovolgerlo o inclinarlo.
- Non aprire l'involucro né riparare l'apparecchio, a meno che non venga richiesto da un tecnico Maxima. Ciò potrebbe invalidare la garanzia, causare danni alla macchina o creare una situazione di pericolo.
- Non utilizzare dispositivi o accessori che non siano stati forniti con l'apparecchio o non compatibili con esso.
- Non avvicinare le mani o altre parti del corpo alle parti mobili dell'apparecchio in funzione e tenerlo sempre d'occhio durante l'utilizzo.
- Non inserire oggetti nell'involucro o nelle aperture dell'apparecchio.

- Tenere tutte le confezioni fuori dalla portata dei bambini e smaltirle in conformità alle normative locali e nazionali.
- Non sovraccaricare l'apparecchio.
- Eseguire l'installazione elettrica in conformità alle normative locali.
- Spegnerne l'apparecchio prima di togliere la spina.
- Scollegare sempre la corrente quando l'apparecchio non viene usato. Per rimuovere la spina dalla presa, impugnarla senza esercitare trazione sul cavo.
- Non toccare la spina di alimentazione con le mani umide o bagnate.
- Tenere il cavo di alimentazione a distanza dalla zona di funzionamento e non coprirlo. Verificare che il cavo di alimentazione non entri a contatto con oggetti caldi o taglienti e tenerlo a distanza dalle fiamme libere.
- Quando la spina è inserita nella presa elettrica, l'apparecchio sarà collegato alla rete elettrica.

## SIMBOLI DI SICUREZZA



- Conservare il prodotto a una temperatura compresa fra 10 e 30 °C
- Non collocarlo sotto la luce diretta del sole.
- Prodotto destinato all'uso in interni
- Isolamento elettrico di base: richiede un collegamento di terra
- Smaltimento del prodotto secondo le normative locali sui rifiuti
- Il prodotto rispetta i requisiti CE

# 1. PRAFAZIONE

## 1.1 Introduzione

Grazie per l'acquisto di questo prodotto Maxima. Per garantire la sicurezza delle persone e ottenere il massimo del rendimento, leggere attentamente le istruzioni prima di installare o utilizzare il prodotto. Tenere sempre questo manuale vicino all'apparecchio.

Tutti i prodotti Maxima dispongono di una certificazione CE. Di conseguenza, rispettano i requisiti legali in materia di salute, sicurezza e ambiente definiti dalla Commissione europea. Inoltre, tutti i prodotti vengono accuratamente testati prima della spedizione, in modo da garantirne la qualità e sicurezza.

## 1.2 Informazioni generali

Per l'assistenza post-vendita, visitare la pagina: <https://maxima.com/it/servizio>. I manuali d'uso sono disponibili online ed è possibile scaricarli dalla pagina del prodotto del nostro sito Web. Nel caso in cui il manuale del prodotto non fosse disponibile, contattare l'assistenza clienti. Per maggiori informazioni, visitare il nostro sito Web: [www.maxima.com](http://www.maxima.com)

## 1.3 Garanzia

Offriamo una garanzia di 12 mesi dalla data di acquisto indicata sulla fattura. Nel periodo di garanzia, forniremo pezzi di ricambio in caso di difetti di materiale, fabbricazione o altri problemi di qualità.

I seguenti elementi non sono coperti dalla garanzia:

- Danni legati all'uso improprio del prodotto
- Danni legati all'utilizzo di parti non appartenenti alla macchina originale
- Danni dovuti al trasporto in un altro luogo a seguito della consegna o a un'installazione e un collegamento eseguiti in modo errato
- Danni ai componenti causati da un collegamento elettrico o idrico di tipo erraneo
- Danni causati dallo smontaggio e/o dalla modifica della macchina originale senza aver ricevuto alcuna autorizzazione
- Danni causati da uso improprio, pulizia insufficiente o manutenzione inadeguata
- Danni causati da incendi, crolli di edifici, fulmini, inondazioni, sbalzi di tensione o parassiti
- Mancata lettura o osservanza del manuale d'uso
- Materiali di consumo e parti soggette a usura
- Fattura alterata o assente

## 2. INFORMAZIONI SUL PRODOTTO

### 2.1 Uso previsto

Non è possibile usare questo per apparecchio solo scopi diversi da quelli previsti. Il produttore e il fornitore non saranno responsabili degli eventuali danni causati da un funzionamento e un uso improprio.

Questo prodotto commerciale deve essere usato solo da un professionista qualificato che abbia letto e compreso il presente manuale. Non consentire ai bambini o alle persone con ridotte capacità fisiche, sensoriali o mentali di utilizzare il prodotto senza un'adeguata supervisione.

IT

### 2.2 Specifiche

| MAXIMA PLANETARY MIXER 7L |                       |           |                       |                   |                     |                  |
|---------------------------|-----------------------|-----------|-----------------------|-------------------|---------------------|------------------|
| Articolo                  | Dimensioni (cm)       | Peso (kg) | Ingresso              | Alimentazione (W) | Velocità (giri/min) | Ciotola Capacità |
| 09300151                  | W24,0 x D42,5 x H42,5 | 17        | 220V / 50Hz / 1 Phase | 350               | 100 - 938           | 6,5 Litres       |
| 09300152                  |                       |           |                       |                   |                     |                  |
| 09300153                  |                       |           |                       |                   |                     |                  |
| 09300154                  |                       |           |                       |                   |                     |                  |
| 09360750                  |                       |           |                       |                   |                     |                  |
| 09360755                  |                       |           |                       |                   |                     |                  |
| 09360760                  |                       |           |                       |                   |                     |                  |
| 09360765                  |                       |           |                       |                   |                     |                  |
| 09360770                  |                       |           |                       |                   |                     |                  |
| 09360775                  |                       |           |                       |                   |                     |                  |
| 09360780                  |                       |           |                       |                   |                     |                  |
| 09360785                  |                       |           |                       |                   |                     |                  |
| 09360790                  |                       |           |                       |                   |                     |                  |

### 2.3 Caratteristiche

I prodotti Maxima offrono un'ampia gamma di caratteristiche. Per saperne di più, consultare l'Appendice 1.

### 2.4 Elenco delle parti

L'elenco completo delle parti di questo apparecchio è disponibile nell'Appendice 2.

## 3. TRASPORTO

### 3.1 Trasporto e movimentazione

Questo apparecchio deve essere sollevato da due o più persone. Sollevare sempre il prodotto facendo leva sulle gambe e non sulla schiena. Non sollevare o spostare oggetti andando oltre le proprie capacità. Chiedere assistenza o utilizzare un'attrezzatura appropriata, se necessario.

### 3.2 Imballaggio

Disimballare e ispezionare l'acquisto subito dopo la ricezione. In caso di difetti latenti o danni all'articolo, contattare immediatamente il fornitore. Conservare tutti i materiali di imballaggio nel caso in cui occorra restituire la macchina o farla ispezionare dal corriere.

### 3.3 Prima dell'uso

Rimuovere le pellicole protettive dalle superfici e pulire accuratamente l'apparecchio e gli accessori prima dell'uso (vedere la sezione 6 "Manutenzione").

## 4. INSTALLAZIONE

### 4.1 Cablaggio e connessioni

Se la macchina viene fornita con una spina montata in fabbrica, è possibile collegarla a una presa elettrica standard. Verificare che la tensione della macchina e presa a muro siano compatibili.

Se la macchina non viene fornita con una spina montata in fabbrica, contattare un elettricista certificato per collegarla all'alimentazione.

Lo schema del circuito è indicato nell'Appendice 3.

### 4.2 Posizionamento

Posizionare l'apparecchio su una superficie stabile e piana. Scegliere una superficie non esposta alla luce diretta del sole e non vicina a fonti di calore come ad esempio fornelli, forni o radiatori.

Nel posizionare l'apparecchio, lasciare una distanza di 10 cm (4") dalle pareti o da altri oggetti, in modo da garantire una ventilazione ottimale e consentire l'utilizzo del prodotto in maniera ottimale.

Posizionare l'apparecchio in modo che la spina sia sempre accessibile. Collegare il cavo di alimentazione a una presa compatibile e dotata di messa a terra.



## 5. FUNZIONAMENTO

### 5.1 Come utilizzare l'apparecchio

- Utilizzare la leva posta sul lato dell'apparecchio per allentare e inclinare la testa del motore verso l'alto.
- Aggiungere gli ingredienti alla ciotola di miscelazione o ruotarla per rimuoverli completamente. Verificare che la ciotola di miscelazione venga bloccata in un secondo momento.
- i** È possibile rimuovere il coperchio di sicurezza trasparente, se necessario. Tuttavia, utilizzare sempre l'apparecchio con il coperchio di sicurezza inserito.
- Montare l'accessorio desiderato: frusta, gancio per impastare o ala per mescolare.
- Dopo aver preparato la bacinella e l'accessorio, abbassare la testa del motore e fissarla stringendo la leva. La funzione di sicurezza consentirà l'avvio dell'apparecchio solo dopo aver abbassato la testa in modo corretto.
- Scegliere una velocità agendo sul selettore e premere il pulsante di avvio per attivare l'apparecchio.
- !** Iniziare la miscelatura a bassa velocità e aumentarla gradualmente e secondo necessità. È possibile regolare la velocità anche durante il funzionamento.
- Se l'apparecchio non riesce a miscelare alla velocità impostata, abbassare la velocità o ridurre la quantità di prodotto in lavorazione.
- i** Non usare l'apparecchio per oltre 30 minuti consecutivi e spegnerlo per almeno 15 minuti circa tra un ciclo e l'altro di miscelazione.
- !** Per tutelare il motore da eventuali danni, l'apparecchio è dotato di una protezione dal sovraccarico. Se la protezione viene attivata, l'apparecchio si spegnerà automaticamente e dovrà raffreddarsi per 60 minuti prima di poter riprendere il funzionamento (vedere la tabella seguente). È possibile riavviare la macchina premendo il pulsante di reset sul retro dopo che si è raffreddata.
- i** Gli eventuali danni causati dal sovraccarico del motore non sono coperti dalla garanzia.
- Alla fine del lavoro, ridurre al minimo la velocità di miscelazione e spegnere l'apparecchio.
- Pulire accuratamente l'apparecchio dopo ogni utilizzo.
- Scollegare l'alimentazione se l'apparecchio non viene utilizzato per un periodo prolungato.

### 5.2 Pulizia

- Controllare e pulire regolarmente l'apparecchio, le parti e gli accessori relativi.
- Prima di eseguire qualsiasi intervento di pulizia o manutenzione, spegnere e scollegare l'alimentazione elettrica e del gas.
- Non utilizzare detergenti aggressivi o abrasivi. Non utilizzare solventi o detergenti a base di petrolio. Alcuni detergenti potrebbero lasciare residui nocivi o danneggiare la macchina. Utilizzare un prodotto per la pulizia delicato e non nocivo per gli alimenti.
- Durante la pulizia, non utilizzare spazzole o oggetti appuntiti, che potrebbero danneggiare la macchina.
- Non lavare la macchina con un tubo o immergerla in acqua o altri liquidi. Pulire l'esterno con un panno umido. Non pulire la macchina usando il vapore.
- Non bagnare il cavo o la spina di alimentazione.
- La ciotola può essere lavata in lavastoviglie.

## 6. MANUTENZIONE

Controllare regolarmente l'integrità della spina e del cavo di alimentazione. Non utilizzare l'apparecchio in caso di danni a uno dei due elementi. In questi casi, richiedere l'intervento di un elettricista certificato.

| INTERVALLO     | AZIONE                     | DESCRIZIONE   |
|----------------|----------------------------|---|
| Ogni giorno    | Pulizia e disinfezione     | Pulire accuratamente l'apparecchio e gli accessori dopo ogni utilizzo usando un panno morbido e un detergente non nocivo per gli alimenti |
| Ogni settimana | Pulizia delle superfici    | Pulire l'esterno dell'apparecchio almeno una volta alla settimana   |
| Annuale        | Lubrificare gli ingranaggi | Rimuovere il coperchio superiore della testa del motore e lubrificare gli ingranaggi  |

## 7. RISOLUZIONE DEI PROBLEMI

| PROBLEMA                              | POSSIBILE CAUSA  | POSSIBILE SOLUZIONE   |
|---------------------------------------|--|---|
| L'apparecchio non funziona            | L'apparecchio è spento                                     | Accendere l'apparecchio   |
|                                       | L'alimentazione è interrotta.                              | Controllare l'alimentazione e collegare il cavo relativo                        |
|                                       | La tensione non è corretta                                 | Utilizzare una sorgente di alimentazione compatibile                            |
|                                       | Protezione da sovraccarico attivata                        | Premere il pulsante nero sul lato posteriore della macchina                     |
| Rumore insolito                       | Ingranaggi danneggiati o non sufficientemente lubrificati  | Sostituire la parte danneggiata e/o lubrificare gli ingranaggi                  |
|                                       | Carico troppo pesante                                      | Ridurre il carico   |
|                                       | L'accessorio o la bacinella non sono fissati correttamente | Verificare che le parti siano fissate   |
| L'apparecchio ha smesso di funzionare | Protezione da sovraccarico attivata                        | Attendere 15 minuti e ripristinare l'interruttore di protezione da sovraccarico |
| Miscelazione non corretta             | Impostazione errata della velocità                         | Modificare la velocità  |
|                                       | Carico troppo pesante                                      | Ridurre il carico   |

## 8. CONSERVAZIONE

Arrotolare il cavo di alimentazione e riporlo in modo sicuro. Pulire l'apparecchio prima di conservarlo. Conservarlo in un luogo fresco e asciutto.

## 9. SMALTIMENTO

Per smaltire questo apparecchio, agire in conformità alle normative locali e nazionali. È importante smaltire correttamente tutti i materiali correlati. Questa apparecchiatura può contenere imballaggi e accessori da raccogliere e smaltire separatamente. Non trattare questi elementi come rifiuti urbani indifferenziati.

**Riciclaggio:** Smaltendo i rifiuti in modo corretto, è possibile prevenire i rischi per l'ambiente altrimenti causati da un trattamento improprio degli scarti.

**Imballaggio:** l'imballaggio è realizzato con materiali che è possibile smaltire presso gli impianti di riciclaggio locali.

**Batterie:** l'eventuale batteria in dotazione alla macchina potrebbe contenere sostanze tossiche e pericolose per l'ambiente. Smaltire le batterie usate o ricaricabili in modo responsabile presso un punto di raccolta locale.

**Elettronica:** Se questo apparecchio contiene parti elettroniche, smaltire i rifiuti elettrici presso un punto di raccolta per il riciclaggio di apparecchiature elettroniche.

IT



## INHOUDSOPGAVE

|  |            |
|--|------------|
| <b>1. VOORWOORD</b> .....                | <b>56</b>  |
| 1.1 Inleiding .....                      | 56         |
| 1.2 Algemene informatie .....            | 56         |
| 1.3 Garantie .....                       | 56         |
| <b>2. PRODUCTINFORMATIE</b> .....        | <b>57</b>  |
| 2.1 Beoogd gebruik .....                 | 57         |
| 2.2 Specificaties .....                  | 57         |
| 2.3 Functies .....                       | 57         |
| 2.4 Onderdelenlijst.....                 | 57         |
| <b>3. VERVOER</b> .....                  | <b>58</b>  |
| 3.1 Transport .....                      | 58         |
| 3.2 Verpakking.....                      | 58         |
| 3.3 Voor gebruik .....                   | 58         |
| <b>4. INITIËLE SETUP</b> .....           | <b>58</b>  |
| 4.1 Bedrading & aansluitingen .....      | 58         |
| 4.2 Plaatsing .....                      | 58         |
| <b>5. WERKING</b> .....                  | <b>59</b>  |
| 5.1 Hoe het apparaat te gebruiken.....   | 59         |
| 5.2 Reiniging .....                      | 59         |
| <b>6. ONDERHOUD</b> .....                | <b>60</b>  |
| <b>7. STORINGEN</b> .....                | <b>60</b>  |
| <b>8. OPSLAG</b> .....                   | <b>60</b>  |
| <b>9. AFDANKEN</b> .....                 | <b>61</b>  |
| <b>BIJLAGE 1. KARAKTERISTIEKEN</b> ..... | <b>113</b> |
| <b>BIJLAGE 2. ONDERDELENLIJST</b> .....  | <b>114</b> |
| <b>BIJLAGE 3. SCHAKELSCHEMA</b> .....    | <b>116</b> |

NL

## VEILIGHEIDSINSTRUCTIES

- Dit apparaat mag alleen worden gebruikt waarvoor het is ontworpen. Noch de fabrikant, noch de leverancier zijn aansprakelijk voor schade veroorzaakt door onjuist gebruik van dit artikel.
- Dit is een commercieel product en mag alleen worden gebruikt door personen die deze handleiding hebben gelezen en volledig hebben begrepen. Kinderen of personen met verminderde fysieke, zintuiglijke of mentale vermogens moeten dit onder toezicht gebruiken.
- Dit apparaat is uitsluitend bedoeld voor gebruik binnenshuis.
- Houd het apparaat en de stekker uit de buurt van water en andere vloeistoffen. Als één van beide wordt blootgesteld aan een vloeistof, koppel dan onmiddellijk de stroomtoevoer los en laat het apparaat nakijken door een gecertificeerde technicus. Het niet opvolgen van deze instructies kan elektrische schokken of zelfs de dood tot gevolg hebben.
- Gebruik het apparaat niet nadat het is gevallen of op enigerlei wijze is beschadigd. Laat het nakijken en repareren door een gecertificeerde monteur.
- Verplaats het apparaat niet terwijl het in werking is en verplaats of draag het apparaat nooit aan het netsnoer.
- Plaats of verplaats het apparaat niet op zijn kant, ondersteboven of gekanteld.
- Open de behuizing niet en probeer het apparaat niet zelf te repareren, tenzij een monteur van Maxima dit aangeeft. Hierdoor kan de garantie komen te vervallen, schade aan de machine of een gevaarlijke situatie ontstaan.
- Gebruik geen apparaten of accessoires die niet bij het apparaat zijn geleverd of zijn ontworpen om ermee te werken.
- Plaats uw handen of andere lichaamsdelen nooit in de buurt van de bewegende delen van het apparaat terwijl het in werking is en houd het apparaat altijd in de gaten wanneer het in gebruik is.
- Steek geen voorwerpen in de behuizing of openingen van het apparaat.

- Houd alle verpakkingen uit de buurt van kinderen en voer de verpakking af in overeenstemming met de lokale en nationale voorschriften.
- Voorkom overbelasting van het apparaat.
- De elektrische installatie moet voldoen aan de plaatselijke voorschriften.
- Schakel het apparaat uit voordat u de stekker uit het stopcontact haalt.
- Haal altijd de stekker uit het stopcontact als het apparaat niet in gebruik is. Om de stekker uit het stopcontact te halen, moet u altijd aan de stekker zelf trekken en niet aan de kabel.
- Raak de stekker niet aan met vochtige of natte handen.
- Houd het netsnoer uit de buurt van het werkbereik en dek het snoer niet af. Zorg ervoor dat het netsnoer niet in contact komt met hete of scherpe voorwerpen en houd het uit de buurt van open vuur.
- Houd er rekening mee dat terwijl de stekker in het stopcontact zit, het apparaat is aangesloten op het elektriciteitsnet.

## VEILIGHEIDSSYMBOLEN



- Product bewaren tussen 10-30°C
- Vermijd plaatsing in direct zonlicht
- Product bedoeld voor gebruik binnenshuis
- Elektrische basisisolatie: vereist een geaarde verbinding
- Afvoer van het product in overeenstemming met de plaatselijke afvalvoorschriften
- Product voldoet aan de CE-vereisten

# 1. VOORWOORD

## 1.1 Inleiding

Bedankt voor het aanschaffen van dit product van Maxima. Om uw eigen veiligheid te garanderen en het beste uit uw aankoop te halen, dient u de instructies zorgvuldig te lezen voordat u probeert dit product te installeren of te gebruiken. Deze handleiding moet te allen tijde beschikbaar zijn en in de buurt van het apparaat worden bewaard.

Alle Maxima producten zijn CE gecertificeerd. Hierdoor voldoen onze producten aan de wettelijke eisen op het gebied van gezondheid, veiligheid en milieu, zoals gesteld door de Europese Commissie. Bovendien worden alle producten voorafgaand aan verzending grondig getest om de productkwaliteit en veiligheid te garanderen.

## 1.2 Algemene informatie

Bezoek voor ondersteuning na aankoop onze Customer Service pagina op: <https://maxima.com/nl/klantenservice>. Gebruikershandleidingen zijn online beschikbaar en kunnen elektronisch worden gedownload van de productpagina op onze website. Als de handleiding van uw product niet beschikbaar is, neem dan contact op met de klantenservice. Bezoek onze website voor meer informatie: [www.maxima.com](http://www.maxima.com)

## 1.3 Garantie

Wij bieden een garantie van 12 maanden vanaf de aankoopdatum, zoals aangegeven op uw aankoopfactuur. Onder de garantie leveren we extra reserveonderdelen in het geval van: materiaalfouten, fabricagefouten of andere kwaliteitsproblemen.

Het volgende valt niet onder de garantie:

- Schade in verband met verkeerd gebruik van het product
- Schade in verband met het gebruik van onderdelen die geen deel uitmaken van de originele machine
- Schade door transport naar een andere locatie na levering, of verkeerde installatie en aansluiting
- Schade aan onderdelen veroorzaakt door onjuiste elektrische of wateraansluiting
- Schade als gevolg van demontage en/of wijzigingen aan de originele machine zonder toestemming
- Schade als gevolg van verkeerd gebruik, slechte reiniging of onjuist onderhoud
- Schade als gevolg van brand, instorting van gebouwen, bliksem, overstroming, stroompieken of ongedierte
- Het niet lezen of volgen van de gebruikershandleiding
- Verbruiksartikelen en onderdelen die onderhevig zijn aan slijtage
- Een gewijzigde factuur of geen factuur



## 2. PRODUCTINFORMATIE

### 2.1 Beoogd gebruik

Dit apparaat mag alleen worden gebruikt voor het doel waarvoor het is ontworpen en bedoeld. De fabrikant en leverancier zijn niet aansprakelijk voor eventuele schade veroorzaakt door onjuiste bediening en oneigenlijk gebruik.

Dit is een commercieel product en mag alleen worden gebruikt door een opgeleide professional die deze handleiding heeft gelezen en begrepen. Kinderen of personen met verminderde fysieke, zintuiglijke of mentale vermogens moeten dit onder toezicht gebruiken.

### 2.2 Specificaties

NL

| MAXIMA PLANETARY MIXER 7L |                       |              |                       |            |                |                   |
|---------------------------|-----------------------|--------------|-----------------------|------------|----------------|-------------------|
| Artikel                   | Afmetingen (cm)       | Gewicht (kg) | Invoer                | Stroom (W) | Snelheid (RPM) | Schaal Capaciteit |
| 09300151                  | W24,0 x D42,5 x H42,5 | 17           | 220V / 50Hz / 1 Phase | 350        | 100 - 938      | 6,5 Litres        |
| 09300152                  |                       |              |                       |            |                |                   |
| 09300153                  |                       |              |                       |            |                |                   |
| 09300154                  |                       |              |                       |            |                |                   |
| 09360750                  |                       |              |                       |            |                |                   |
| 09360755                  |                       |              |                       |            |                |                   |
| 09360760                  |                       |              |                       |            |                |                   |
| 09360765                  |                       |              |                       |            |                |                   |
| 09360770                  |                       |              |                       |            |                |                   |
| 09360775                  |                       |              |                       |            |                |                   |
| 09360780                  |                       |              |                       |            |                |                   |
| 09360785                  |                       |              |                       |            |                |                   |
| 09360790                  |                       |              |                       |            |                |                   |

### 2.3 Functies

De producten van Maxima bieden een breed scala aan functies. Meer hierover leest u in Bijlage 1.

### 2.4 Onderdelenlijst

Een uitgebreide lijst van de onderdelen van dit apparaat is beschikbaar in Bijlage 2.

## 3. VERVOER

### 3.1 Transport

Dit apparaat moet door twee of meer personen worden opgetild. Denk eraan om altijd vanuit je benen te tillen en niet vanuit je rug. Probeer nooit voorwerpen op te tillen of te verplaatsen die uw capaciteit te boven gaan. Vraag om hulp of gebruik indien nodig de juiste apparatuur.

### 3.2 Verpakking

Pak uw aankoop uit en controleer deze direct na ontvangst. Als er verborgen gebreken of schade aan het artikel zijn, neem dan onmiddellijk contact op met uw leverancier. Bewaar al het verpakkingsmateriaal voor het geval de machine moet worden geretourneerd of door de koerier moet worden gecontroleerd.

### 3.3 Voor gebruik

Verwijder eventuele beschermfolie van alle oppervlakken en reinig het apparaat en de accessoires grondig voor gebruik (zie het hoofdstuk 6 "Onderhoud").

## 4. INITIËLE SETUP

### 4.1 Bedrading & aansluitingen

Als uw machine is geleverd met een in de fabriek gemonteerde gegoten stekker, kunt u de unit aansluiten op een standaard stopcontact. Zorg ervoor dat de spanning van de machine en het stopcontact geschikt zijn.

Als uw machine niet is geleverd met een in de fabriek gemonteerde gegoten stekker, moet een gecertificeerde elektricien worden gecontracteerd om de unit op de voeding aan te sluiten.

Het schakelschema vindt u in Bijlage 3.

### 4.2 Plaatsing

Het apparaat moet op een vlakke en stabiele ondergrond worden geplaatst. Kies een oppervlak waar het apparaat niet wordt blootgesteld aan direct zonlicht en niet in de buurt staat van een directe warmtebron, zoals een koker, oven of radiator.

Houd bij het plaatsen van het apparaat een afstand van 10 cm (4 inch) tussen het apparaat en de muren of andere objecten voor ventilatie en gebruiksgemak.

Plaats het apparaat zo dat de stekker altijd bereikbaar is. Steek de stekker altijd in een geschikt, geaard stopcontact.

## 5. WERKING

### 5.1 Hoe het apparaat te gebruiken

- Gebruik de hendel aan de zijkant van het apparaat om de motorkop los te maken en omhoog te kantelen.
- Voeg uw ingrediënten toe aan de mengkom of draai de mengkom om deze volledig te verwijderen. Zorg ervoor dat de mengkom daarna weer op zijn plaats wordt vergrendeld.
- ! De transparante veiligheidskap kan desgewenst worden verwijderd. Het wordt echter aanbevolen om het apparaat altijd te gebruiken met de veiligheidsafdekking op zijn plaats.
- Monteer het gewenste opzetstuk: garde, deeghaak of mengvleugel.
- Zodra de kom en het hulpstuk gereed zijn, laat u de motorkop zakken en zet u deze vast door de hendel vast te draaien. Het apparaat werkt niet als de kop niet goed is neergelaten vanwege de veiligheidsfunctie.
- Selecteer een snelheid met behulp van het snelkeuzewiel en druk op de startknop om het apparaat te activeren.
- ! Begin altijd op een lage snelheid te mixen en verhoog de snelheid geleidelijk naar behoefte. De snelheid kan tijdens het gebruik probleemloos worden aangepast.
- Als u merkt dat het apparaat moeite heeft met mengen op de ingestelde snelheid, verlaag dan de snelheid of verminder de hoeveelheid product die wordt verwerkt.
- ! Laat het apparaat niet langer dan 30 opeenvolgende minuten werken en stop de werking volledig gedurende ten minste ~15 minuten tussen de mengcycli.
- ! Om de motor tegen beschadiging te beschermen, is het apparaat voorzien van een overbelastingsbeveiliging. Als het apparaat wordt geactiveerd, wordt het automatisch uitgeschakeld en moet het 60 minuten afkoelen voordat het weer verder gaat (zie onderstaande tabel). Je kunt het apparaat opnieuw opstarten door op de resetknop aan de achterkant te drukken nadat het is afgekoeld.
- ! Eventuele schade veroorzaakt door overbelasting van de motor valt niet onder de garantie.
- Als u klaar bent, zet u de mengsnelheid op de laagste stand en schakel u het apparaat uit.
- Maak het apparaat na elk gebruik grondig schoon.
- Als het apparaat voor een langere periode niet wordt gebruikt, koppel het dan altijd los van het stroomnet.

### 5.2 Reiniging

- Controleer en reinig het apparaat en de onderdelen en accessoires regelmatig.
- Schakel vóór de reiniging of het onderhoud altijd de stroom- en/of gastoevoer uit en koppel hem los.
- Gebruik nooit agressieve of schurende reinigingsmiddelen. Gebruik geen oplosmiddelen of reinigingsmiddelen op benzinebasis. Sommige reinigingsmiddelen kunnen schadelijke resten achterlaten of het apparaat beschadigen. Gebruik in plaats daarvan een mild en voedselveilig reinigingsmiddel.
- Gebruik geen schuursponsjes en scherpe of puntige voorwerpen tijdens het reinigen, omdat dit schade aan het apparaat kan veroorzaken.
- Spuit het apparaat nooit af en dompel het nooit onder in water of een andere vloeistof. Veeg in plaats daarvan de buitenkant af met een vochtige doek. Gebruik geen stomer om het apparaat schoon te maken.
- Laat het netsnoer of de stekker nooit nat of vochtig worden.
- De kom kan in de vaatwasser.

## 6. ONDERHOUD

Controleer regelmatig de stekker en het netsnoer op beschadigingen. Als een van beide beschadigd is, gebruik het apparaat dan niet. Laat het in plaats daarvan repareren door een gecertificeerde elektrotechnicus.

| INTERVAL  | ACTIE                    | BESCHRIJVING  |
|-----------|--------------------------|---|
| Dagelijks | Reinigen & desinfecteren | Reinig het apparaat na elk gebruik grondig met een zachte doek en voedselveilig reinigingsmiddel  |
| Wekelijks | Oppervlaktereiniging     | Het wordt aanbevolen om de buitenkant van het apparaat minstens één keer per week schoon te vegen |
| Jaarlijks | Tandwielen smeren        | Verwijder de bovenkap van de motorkop en smeer de tandwielen                                      |

## 7. STORINGEN

| PROBLEEM                 | MOGELIJKE OORZAAK                             | MOGELIJKE OPLOSSING  |
|--------------------------|---|--|
| Het apparaat werkt niet  | Het apparaat is uitgeschakeld                 | Schakel het apparaat in                                    |
|                          | De stroomtoevoer is onderbroken               | Controleer de stroomtoevoer, sluit de stroomkabel aan      |
|                          | De spanning is niet correct                   | Gebruik een compatibele stroombron                         |
|                          | Overbelastingsbeveiliging geactiveerd         | Druk op de zwarte knop aan de achterkant van het apparaat. |
| Ongewoon geluid          | Tandwielen beschadigd of onvoldoende gesmeerd | Beschadigd onderdeel vervangen en/of tandwielen smeren     |
|                          | Te zware belasting                            | Verminder de belasting                                     |
|                          | Toebehoren of bak niet goed bevestigd         | Controleer of onderdelen goed vastzitten                   |
| Apparaat werkt niet meer | Overbelastingsbeveiliging geactiveerd         | Wacht 15 minuten en reset de overbelastingsbeveiliging     |
| Niet goed mengen         | Verkeerde snelheidsinstelling                 | Wijzig snelheid  |
|                          | Te zware belasting                            | Verminder belasting  |

## 8. OPSLAG

Rol het netsnoer op en berg het veilig op. Zorg ervoor dat het apparaat grondig is schoongemaakt voordat u het opbergt. Bewaar in een koele, droge plaats.

## 9. AFDANKEN

Als u dit apparaat weggooit, doe dit dan in overeenstemming met de lokale en nationale voorschriften. Het is ook belangrijk om alle gerelateerde materialen op de juiste manier af te voeren. Dit apparaat kan verpakkingen en accessoires bevatten die apart moeten worden ingezameld en afgevoerd. Deze mogen niet worden behandeld als ongesorteerd gemeentelijk afval.

**Recycling:** Door afval op de juiste manier af te voeren, helpt u gevaren in het milieu te voorkomen die kunnen worden veroorzaakt door een onjuiste verwerking van afval.

**Verpakking:** De verpakking is gemaakt van materialen die via plaatselijke recyclingfaciliteiten moeten worden afgevoerd.

**Batterijen:** Als de machine een accu bevat, kunnen deze giftige stoffen bevatten en zijn ze een gevaar voor het milieu. Voer gebruikte of oplaadbare batterijen op verantwoorde wijze af via een plaatselijk inzamelpunt.

**Elektronica:** Als dit apparaat elektronische onderdelen bevat, dient u het elektrische afval naar een inzamelpunt voor recycling van elektronische apparatuur te brengen.

NL



|  |            |
|--|------------|
| <b>1. PRZEDMOWA</b> .....                | <b>66</b>  |
| 1.1 Wprowadzenie .....                   | 66         |
| 1.2 Informacje ogólne .....              | 66         |
| 1.3 Gwarancja .....                      | 66         |
| <b>2. INFORMACJE O PRODUKCIE</b> .....   | <b>67</b>  |
| 2.1 Przeznaczenie .....                  | 67         |
| 2.2 Specyfikacje .....                   | 67         |
| 2.3 Funkcje.....                         | 67         |
| 2.4 Lista części .....                   | 67         |
| <b>3. TRANSPORT</b> .....                | <b>68</b>  |
| 3.1 Transport i przenoszenie .....       | 68         |
| 3.2 Opakowanie .....                     | 68         |
| 3.3 Przed użyciem .....                  | 68         |
| <b>4. POCZĄTKOWE USTAWIENIA</b> .....    | <b>68</b>  |
| 4.1 Okablowanie i połączenia .....       | 68         |
| 4.2 Umieszczenie .....                   | 68         |
| <b>5. OBSŁUGA</b> .....                  | <b>69</b>  |
| 5.1 Jak korzystać z urządzenia .....     | 69         |
| 5.2 Czyszczenie.....                     | 69         |
| <b>6. KONSERWACJA</b> .....              | <b>70</b>  |
| <b>7. ROZWIĄZYWANIE PROBLEMÓW</b> .....  | <b>70</b>  |
| <b>8. MAGAZYNOWANIE</b> .....            | <b>70</b>  |
| <b>9. WYRZUCANIE</b> .....               | <b>71</b>  |
| <b>ZAŁĄCZNIK 1. FUNKCJE</b> .....        | <b>113</b> |
| <b>ZAŁĄCZNIK 2. LISTA CZĘŚCI</b> .....   | <b>114</b> |
| <b>ZAŁĄCZNIK 3. SCHEMAT OBWODU</b> ..... | <b>116</b> |

## INSTRUKCJE BEZPIECZEŃSTWA

- To urządzenie może być używane wyłącznie zgodnie z jego przeznaczeniem. Ani producent, ani dostawca nie ponoszą odpowiedzialności za szkody spowodowane nieprawidłowym użytkowaniem tego przedmiotu.
- Jest to produkt komercyjny i powinien być używany tylko przez osoby, które przeczytały i w pełni rozumieją niniejszą instrukcję. Nie może być on używane przez dzieci lub osoby o ograniczonych zdolnościach fizycznych, sensorycznych lub umysłowych bez nadzoru.
- To urządzenie jest przeznaczone wyłącznie do użytku w pomieszczeniach.
- Trzymaj urządzenie i wtyczkę z dala od wody i innych płynów. W przypadku kontaktu z płynem natychmiast odłącz zasilanie i zleć sprawdzenie urządzenia wykwalifikowanemu technikowi. Nieprzestrzeganie tych instrukcji może spowodować porażenie prądem, a nawet śmierć.
- Nie używaj urządzenia, gdy upadło lub zostało w jakikolwiek sposób uszkodzone. Zleć sprawdzenie i naprawę certyfikowanemu technikowi.
- Nie przesuwaj urządzenia podczas pracy i nigdy nie przesuwać ani nie przenoś urządzenia, trzymając za przewód zasilający.
- Nie stawiaj ani nie przesuwaj urządzenia na boku, do góry nogami lub przechylonego.
- Nie otwieraj obudowy ani nie próbuj samodzielnie naprawiać urządzenia, chyba że zaleci to technik Maxima. Może to unieważnić gwarancję, spowodować uszkodzenie maszyny lub doprowadzić do niebezpiecznej sytuacji.
- Nie używaj żadnych urządzeń ani akcesoriów, które nie są dostarczone z urządzeniem lub nie są przeznaczone do współpracy z nim.
- Nigdy nie zbliżaj rąk ani innych części ciała do ruchomych części urządzenia podczas pracy i zawsze obserwuj urządzenie podczas użytkowania.



- Nie wkładaj żadnych przedmiotów do obudowy ani otworów urządzenia.
- Wszystkie opakowania należy przechowywać z dala od dzieci i usuwać je zgodnie z lokalnymi i krajowymi przepisami.
- Unikaj przeciążania urządzenia.
- Instalacja elektryczna musi być zgodna z lokalnymi przepisami.
- Wyłącz urządzenie przed wyjęciem wtyczki zasilania.
- Zawsze odłączaj zasilanie, gdy urządzenie nie jest używane. Aby wyjąć wtyczkę z gniazdka, zawsze ciągnij za samą wtyczkę, a nie za kabel.
- Nie dotykaj wtyczki zasilania wilgotnymi lub mokrymi rękami.
- Trzymaj kabel zasilający z dala od zasięgu działania i nie zakrywaj kabla. Upewnij się, że kabel zasilający nie styka się z gorącymi lub ostrymi przedmiotami i trzymaj go z dala od otwartego ognia.
- Należy pamiętać, że gdy wtyczka znajduje się w gniazdku elektrycznym, urządzenie jest podłączone do sieci elektrycznej.

PL

## SYMBOLE BEZPIECZE



- Przechowuj produkt w temperaturze 10-30°C
- Unikaj umieszczania w bezpośrednim świetle słonecznym
- Produkt przeznaczony do użytku w pomieszczeniach
- Podstawowa izolacja elektryczna: wymaga uziemienia
- Utylizacja produktu zgodnie z lokalnymi przepisami dotyczącymi odpadów
- Produkt spełnia wymagania CE

# 1. PRZEDMOWA

## 1.1 Wprowadzenie

Dziękujemy za zakup tego produktu firmy Maxima. Aby zapewnić sobie bezpieczeństwo i jak najlepiej wykorzystać zakup, przed przystąpieniem do instalacji lub użytkowania tego produktu należy uważnie przeczytać instrukcję. Niniejsza instrukcja powinna być zawsze dostępna i przechowywana w pobliżu urządzenia.

Wszystkie produkty Maxima posiadają certyfikat CE. Dzięki temu nasze produkty spełniają wymagania prawne dotyczące zdrowia, bezpieczeństwa i środowiska określone przez Komisję Europejską. Ponadto wszystkie produkty są dokładnie testowane przed wysyłką, aby zapewnić jakość i bezpieczeństwo produktu.

## 1.2 Informacje ogólne

Aby uzyskać pomoc posprzedażną, odwiedź naszą stronę Obsługi Klienta pod adresem: <https://maxima.com/pl/obsługa>. Instrukcje obsługi są dostępne online i można je pobrać elektronicznie ze strony produktu na naszej stronie internetowej. Jeśli instrukcja obsługi Twojego produktu nie jest dostępna, skontaktuj się z Obsługą Klienta. Aby uzyskać więcej informacji, odwiedź naszą stronę internetową: [www.maxima.com](http://www.maxima.com)

## 1.3 Gwarancja

Oferujemy 12-miesięczną gwarancję od daty zakupu, wskazanej na fakturze zakupu. W ramach gwarancji dostarczymy dodatkowe części zamienne w przypadku: wad materiałowych, wad produkcyjnych lub innych problemów jakościowych.

Gwarancja nie obejmuje:

- Uszkodzenia związanego z niewłaściwym użytkowaniem produktu
- Uszkodzenia związanego z użyciem części, które nie były częścią oryginalnej maszyny
- Uszkodzenia spowodowanego transportem w inne miejsce po dostawie lub nieprawidłową instalacją i podłączeniem
- Uszkodzenie komponentów spowodowanego nieprawidłowym podłączeniem elektrycznym lub wodnym
- Uszkodzenia w wyniku demontażu i/lub modyfikacji oryginalnej maszyny bez pozwolenia
- Uszkodzenia w wyniku niewłaściwego użytkowania, złego czyszczenia lub niewłaściwej konserwacji
- Uszkodzenia w wyniku pożaru, zaważenia się budynku, uderzenia pioruna, zalania, przepięć lub robactwa
- Nieprzeczytania lub nieprzestrzegania instrukcji obsługi
- Materiałów eksploatacyjnych i części podatnych na zużycie
- Zmienionej faktury lub braku faktury

## 2. INFORMACJE O PRODUKCIE

### 2.1 Przeznaczenie

To urządzenie może być używane wyłącznie do celów, do których zostało zaprojektowane i przeznaczone. Producent i dostawca nie ponoszą odpowiedzialności za jakiegokolwiek szkody spowodowane nieprawidłową obsługą i niewłaściwym użytkowaniem.

Jest to produkt komercyjny i może być używany wyłącznie przez przeszkolonego specjalistę, który przeczytał i rozumie niniejszą instrukcję. Nie może być on używany przez dzieci lub osoby o ograniczonych zdolnościach bez nadzoru.

### 2.2 Specyfikacje

| MAXIMA PLANETARY MIXER 7L |                       |           |                       |         |                    |                 |
|---------------------------|-----------------------|-----------|-----------------------|---------|--------------------|-----------------|
| Artykuł                   | Wymiary (cm)          | Waga (kg) | Wejście               | Moc (W) | Prędkość (obr/min) | Miska Pojemność |
| 09300151                  | W24,0 x D42,5 x H42,5 | 17        | 220V / 50Hz / 1 Phase | 350     | 100 - 938          | 6,5 Litres      |
| 09300152                  |                       |           |                       |         |                    |                 |
| 09300153                  |                       |           |                       |         |                    |                 |
| 09300154                  |                       |           |                       |         |                    |                 |
| 09360750                  |                       |           |                       |         |                    |                 |
| 09360755                  |                       |           |                       |         |                    |                 |
| 09360760                  |                       |           |                       |         |                    |                 |
| 09360765                  |                       |           |                       |         |                    |                 |
| 09360770                  |                       |           |                       |         |                    |                 |
| 09360775                  |                       |           |                       |         |                    |                 |
| 09360780                  |                       |           |                       |         |                    |                 |
| 09360785                  |                       |           |                       |         |                    |                 |
| 09360790                  |                       |           |                       |         |                    |                 |

PL

### 2.3 Funkcje

Produkty Maxima oferują szeroką gamę funkcji. Więcej na ten temat możesz przeczytać w Załączniku 1.

### 2.4 Lista części

Pełna lista części tego urządzenia jest dostępna w Załączniku 2.

## 3. TRANSPORT

### 3.1 Transport i przenoszenie

Urządzenie muszą podnosić co najmniej dwie osoby. Należy pamiętać, aby zawsze podnosić je opierając ciężar ciała na nogach, a nie na plecach. W żadnym wypadku nie próbuj podnosić ani przesuwać przedmiotów ponad swoje możliwości. W razie potrzeby poproś o pomoc lub użyj odpowiedniego sprzętu.

### 3.2 Opakowanie

Rozpakuj i sprawdź zakup natychmiast po otrzymaniu. W przypadku jakichkolwiek ukrytych wad lub uszkodzeń przedmiotu należy natychmiast skontaktować się z dostawcą. Zachowaj wszystkie opakowania na wypadek, gdyby maszyna musiała zostać zwrócona lub sprawdzona przez kuriera.

### 3.3 Przed użyciem

Usuń folię ochronną z wszelkich powierzchni i dokładnie wyczyść urządzenie i akcesoria przed użyciem (patrz rozdział 6 „Konserwacja”).

## 4. POCZĄTKOWE USTAWIENIA

### 4.1 Okablowanie i połączenia

Jeśli Twoje urządzenie jest wyposażone w fabrycznie zamontowaną, formowaną wtyczkę, możesz podłączyć urządzenie do standardowego gniazdka elektrycznego. Upewnij się, że napięcie urządzenia i gniazdka ściennego są kompatybilne.

Jeśli maszyna nie jest dostarczana z fabrycznie zamontowaną formowaną wtyczką, należy wynająć wykwalifikowanego elektryka w celu podłączenia urządzenia do źródła zasilania.

Schemat obwodu znajduje się w Załączniku 3.

### 4.2 Umieszczenie

Urządzenie należy ustawić na płaskiej i stabilnej powierzchni. Wybierz powierzchnię, na której urządzenie nie jest wystawione na bezpośrednie działanie promieni słonecznych lub w pobliżu bezpośredniego źródła ciepła, takiego jak kuchenka, piekarnik lub kaloryfer.

Podczas ustawiania urządzenia zachowaj odległość 10 cm (4 cale) między urządzeniem a ścianami lub innymi przedmiotami, aby zapewnić wentylację i łatwość użytkowania.

Ustaw urządzenie w taki sposób, aby wtyczka była zawsze dostępna. Zawsze podłączaj przewód zasilający do kompatybilnego, uziemionego gniazdka.

### 5.1 Jak korzystać z urządzenia

- Użyj dźwigni znajdującej się z boku urządzenia, aby poluzować i przechylić głowicę silnika do góry.
  - Dodaj składniki do miski miksującej lub obróć miskę, aby całkowicie ją wyjąć. Upewnij się, że miska miksująca jest następnie zablokowana na swoim miejscu.
  - i** W razie potrzeby można zdjąć przezroczystą osłonę bezpieczeństwa. Jednak zaleca się, aby zawsze używać urządzenia z założoną osłoną bezpieczeństwa.
  - Zamontuj żądaną nasadkę: trzepaczkę, hak do ciasta lub mieszadło.
  - Gdy miska i nasadka są gotowe, opuść głowicę silnika i zabezpiecz ją, dokręcając dźwignię. Urządzenie nie będzie działać, jeśli głowica nie zostanie prawidłowo opuszczona ze względu na funkcję bezpieczeństwa.
  - Wybierz prędkość za pomocą pokrętkła szybkiego wybierania i naciśnij przycisk Start, aby włączyć urządzenie.
- !** Zawsze rozpoczynaj mieszanie przy niskiej prędkości i stopniowo zwiększaj prędkość zgodnie z wymaganiami. Prędkość można bez problemu regulować podczas pracy.
- Jeśli zauważysz, że urządzenie ma trudności z mieszaniem przy ustawionej prędkości, zmniejsz prędkość lub zmniejsz ilość przetwarzanego produktu.
- i** Nie używaj urządzenia dłużej niż przez 30 kolejnych minut i całkowicie zaprzestań działania na co najmniej ~15 minut pomiędzy cyklami mieszania.
- !** Aby chronić silnik przed uszkodzeniem, urządzenie jest wyposażone w zabezpieczenie przed przeciążeniem. Po jego uruchomieniu urządzenie wyłącza się automatycznie i musi zostać pozostawione do ostygnięcia przez 60 minut przed wznowieniem pracy (patrz tabela poniżej). Urządzenie można ponownie uruchomić, naciskając przycisk resetowania znajdujący się z tyłu urządzenia po jego ostygnięciu.
- i** Wszelkie uszkodzenia spowodowane przeciążeniem silnika nie są objęte gwarancją.
- Po zakończeniu zmniejszyć prędkość miksowania do najniższego ustawienia i wyłączyć urządzenie.
  - Dokładnie wyczyść urządzenie po każdym użyciu.
  - Jeśli urządzenie nie będzie używane przez dłuższy czas, należy wyjąć wtyczkę z gniazdka.

### 5.2 Czyszczenie

- Regularnie sprawdzaj i czyść urządzenie, jego części i akcesoria.
- Przed przystąpieniem do czyszczenia lub konserwacji zawsze należy wyłączyć urządzenie i odłączyć zasilanie elektryczne lub dopływ gazu.
- Nie wolno używać agresywnych ani ściernych środków czyszczących. Nie wolno używać rozpuszczalników ani środków czyszczących na bazie benzyny. Niektóre środki czyszczące mogą pozostawiać szkodliwe pozostałości lub powodować uszkodzenie urządzenia. Należy używać łagodnego i bezpiecznego dla żywności środka czyszczącego.
- Do czyszczenia nie należy używać druciaków ani ostrych lub spiczastych przedmiotów, ponieważ może to doprowadzić do uszkodzenia maszyny.
- Nie wolno słuکیwać urządzenia ani zanurzać go w wodzie lub innej cieczy. Zamiast tego należy przetrzeć jego obudowę wilgotną ściereczką. Nie wolno czyścić urządzenia za pomocą myjki parowej.
- Nie wolno dopuszczać do zmożenia lub zawiłgocenia przewodu zasilającego ani wtyczki.
- Miska nadaje się do mycia w zmywarce.

## 6. KONSERWACJA

Regularnie sprawdzaj, czy wtyczka i przewód zasilający nie są uszkodzone. W przypadku wykrycia uszkodzeń nie wolno używać urządzenia. Należy zlecić naprawę inżynierowi elektrykowi z uprawnieniami.

| ODSTĘP CZASOWY | CZYNNOŚĆ                  | OPIS   |
|----------------|---------------------------|--|
| Codziennie     | Czyszczenie i dezynfekcja | Dokładnie wyczyść urządzenie po każdym użyciu miękką ściereczką i detergentem bezpiecznym dla żywności |
| Co tydzień     | Czyszczenie powierzchni   | Zaleca się wycieranie zewnętrznej części urządzenia przynajmniej raz w tygodniu                        |
| Rocznie        | Nasmaruj koła zębate      | Zdejmij górną pokrywę głowicy silnika i nasmaruj koła zębate   |

## 7. ROZWIĄZYWANIE PROBLEMÓW

| PROBLEM                      | MOŻLIWA PRZYCZYNA                                      | MOŻLIWE ROZWIĄZANIE  |
|------------------------------|--|--|
| Urządzenie nie działa        | Urządzenie jest wyłączone                              | Włącz urządzenie   |
|                              | Zasilanie zostało przerwane                            | Sprawdź zasilanie, podłącz przewód zasilający                        |
|                              | Napięcie jest nieprawidłowe                            | Podłącz urządzenie do odpowiedniego źródła zasilania                 |
|                              | Aktywowane zabezpieczenie przed przeciążeniem          | Naciśnij czarny przycisk z tyłu urządzenia.                          |
| Niezwyczajny hałas           | Koła zębate uszkodzone lub niedostatecznie nasmarowane | Wymień uszkodzoną część i/lub nasmaruj koła zębate                   |
|                              | Zbyt duże obciążenie                                   | Zmniejsz obciążenie  |
|                              | Akcesoria lub miska nie są prawidłowo zamocowane       | Upewnij się, że części są zamocowane na swoim miejscu                |
| Urządzenie przestało działać | Zabezpieczenie przed przeciążeniem aktywowane          | Odczekaj 15 minut i zresetuj przełącznik ochrony przed przeciążeniem |
| Nieprawidłowe mieszanie      | Nieprawidłowe ustawienie prędkości                     | Zmień prędkość   |
|                              | Zbyt duże obciążenie                                   | Zmniejsz obciążenie  |

## 8. MAGAZYNOWANIE

Zwiń kabel zasilający i przechowuj go bezpiecznie. Upewnij się, że urządzenie zostało dokładnie wyczyszczone przed schowaniem go. Przechowuj w chłodnym, suchym miejscu.

## 9. WYRZUCANIE

Podczas utylizacji tego urządzenia należy postępować zgodnie z lokalnymi i krajowymi przepisami. Ważne jest również, aby właściwie pozbyć się wszelkich powiązanych materiałów. Ten element wyposażenia może zawierać opakowania i akcesoria, które należy zbierać i usuwać oddzielnie. Nie należy ich traktować jako niesortowane odpady komunalne.

**Recykling:** Pozbywając się odpadów w odpowiedni sposób pomagasz uniknąć zagrożeń dla środowiska, które mogą być spowodowane niewłaściwą utylizacją odpadów.

**Opakowanie:** Opakowanie wykonane jest z materiałów przeznaczonych do utylizacji przez lokalne zakłady recyklingu.

**Akumulatory:** Jeżeli maszyna zawiera akumulator, mogą one zawierać substancje toksyczne i stanowić zagrożenie dla środowiska. Zużyte baterie lub akumulatory należy utylizować w sposób odpowiedzialny za pośrednictwem lokalnego punktu zbiórki.

**Elektronika:** Jeśli to urządzenie zawiera części elektroniczne, prosimy o oddanie odpadów elektrycznych do punktu zbiórki surowców wtórnych dla sprzętu elektronicznego.

PL





|  |            |
|--|------------|
| <b>1. PREFÁCIO</b> .....                   | <b>76</b>  |
| 1.1 Introdução .....                       | 76         |
| 1.2 Informações gerais .....               | 76         |
| 1.3 Garantia .....                         | 76         |
| <b>2. INFORMAÇÃO DO PRODUTO</b> .....      | <b>77</b>  |
| 2.1 Uso pretendido .....                   | 77         |
| 2.2 Especificações.....                    | 77         |
| 2.3 Funcionalidades .....                  | 77         |
| 2.4 Lista de peças.....                    | 77         |
| <b>3. TRANSPORTE</b> .....                 | <b>78</b>  |
| 3.1 Transporte e manuseamento.....         | 78         |
| 3.2 Embalagem.....                         | 78         |
| 3.3 Antes do uso .....                     | 78         |
| <b>4. CONFIGURAÇÃO INICIAL</b> .....       | <b>78</b>  |
| 4.1 Cabos e ligações.....                  | 78         |
| 4.2 Colocação.....                         | 78         |
| <b>5. FUNCIONAMENTO</b> .....              | <b>79</b>  |
| 5.1 Como usar o aparelho .....             | 79         |
| 5.2 Limpeza .....                          | 79         |
| <b>6. MANUTENÇÃO</b> .....                 | <b>80</b>  |
| <b>7. RESOLUÇÃO DE PROBLEMAS</b> .....     | <b>80</b>  |
| <b>8. ARMAZENAR</b> .....                  | <b>80</b>  |
| <b>9. DESCARTAR</b> .....                  | <b>81</b>  |
| <b>ANEXO 1. FUNCIONALIDADES</b> .....      | <b>113</b> |
| <b>ANEXO 2. LISTA DE PEÇAS</b> .....       | <b>114</b> |
| <b>ANEXO 3. DIAGRAMA DE CIRCUITO</b> ..... | <b>116</b> |

## INSTRUÇÕES DE SEGURANÇA

- Este aparelho só pode ser utilizado para o fim a que se destina. Nem o fabricante nem o fornecedor são responsáveis por danos causados pelo uso incorreto deste item.
- Este é um produto comercial e deve ser usado apenas por aqueles que leram e compreenderam completamente este manual. Não deve ser utilizado por crianças ou pessoas com capacidades físicas, sensoriais ou mentais reduzidas sem supervisão.
- Este dispositivo destina-se apenas ao uso em espaços interiores.
- Mantenha o aparelho e a ficha elétrica longe de água e outros líquidos. Se um deles for exposto a um líquido, desligue imediatamente a fonte de alimentação e solicite a verificação do aparelho por parte de um técnico certificado. O não cumprimento destas instruções pode resultar em choque elétrico ou até mesmo morte.
- Não use o aparelho depois de este ter caído ou se estiver danificado de alguma forma. Peça a um técnico certificado que o verifique e repare.
- Não mova o aparelho enquanto estiver em funcionamento e nunca mova ou transporte o aparelho pelo cabo de alimentação.
- Não coloque ou mova o aparelho de lado, de cabeça para baixo ou inclinado.
- Não abra a caixa nem tente reparar o aparelho sozinho, a menos que seja instruído por um técnico da Maxima. Isso pode anular a garantia, causar danos à máquina ou resultar numa situação perigosa.
- Não use nenhum dispositivo ou acessório que não seja fornecido com o aparelho ou projetado para funcionar com o mesmo.
- Nunca coloque as mãos ou outras partes do corpo perto das partes móveis do aparelho durante o funcionamento e fique sempre de olho no aparelho quando este estiver em uso.
- Não insira objetos na caixa ou nas aberturas do aparelho.

- Mantenha todas as embalagens fora do alcance das crianças e elimine as embalagens de acordo com os regulamentos locais e nacionais.
- Evite sobrecarregar o aparelho.
- A instalação elétrica deve estar em conformidade com os regulamentos locais.
- Desligue o aparelho antes de retirar o plugue de alimentação.
- Desligue sempre o plugue de alimentação quando o aparelho não estiver em uso. Para retirar o plugue da tomada, puxe sempre pelo plugue e não pelo cabo.
- Não toque no plugue de alimentação com as mãos húmidas ou molhadas.
- Mantenha o cabo de alimentação longe do alcance de operação e não cubra o cabo. Certifique-se de que o cabo de alimentação não entra em contacto com objetos quentes ou pontiagudos e mantenha-o longe de chamas.
- Repare que enquanto o plugue está na tomada elétrica, o aparelho está ligado à rede elétrica.

PT

## SÍMBOLOS DE SEGURANÇA



- Armazenar o produto entre 10-30 °C
- Evite a exposição do aparelho sob luz solar direta
- Produto destinado ao uso em espaços interiores
- Isolamento elétrico básico: requer ligação aterrada
- Eliminação do produto de acordo com os regulamentos locais de resíduos
- O produto cumpre os requisitos CE

# 1. PREFÁCIO

## 1.1 Introdução

Obrigado por adquirir este produto Maxima. Para garantir a sua própria segurança e tirar o melhor proveito da sua aquisição, leia atentamente as instruções antes de tentar instalar ou usar este produto. Este manual deve estar sempre disponível e guardado perto do aparelho.

Todos os produtos Maxima possuem certificação CE. Como resultado, os nossos produtos cumprem os requisitos legais de saúde, segurança e ambientais, conforme estabelecido pela Comissão Europeia. Além disso, todos os produtos são exaustivamente testados antes do envio, para garantir a qualidade e a segurança do produto.

## 1.2 Informações gerais

Para suporte pós-venda, visite a nossa página de Atendimento ao Cliente em: <https://maxima.com/pt/servico>. Os manuais do utilizador estão disponíveis on-line e as respetivas versões eletrónicas podem ser baixadas na página do produto em nossa página web. Se o manual do seu produto não estiver disponível, entre em contacto com o Atendimento ao Cliente. Para mais informações, visite a nossa página web: [www.maxima.com](http://www.maxima.com)

## 1.3 Garantia

Oferecemos uma garantia de 12 meses a partir da data de compra, conforme indicado na sua fatura de compra. Ao abrigo da garantia, forneceremos peças de reposição adicionais em caso de: defeitos de material, defeitos de fabricação ou outros problemas de qualidade.

O seguinte não é coberto pela garantia:

- Danos relacionados com o uso incorreto do produto
- Danos relacionados com o uso de peças que não faziam parte da máquina original
- Danos devido ao transporte para outro local após a entrega ou instalação e conexão incorretas
- Danos nos componentes causados por uma conexão elétrica ou de água incorreta
- Danos como resultado de desmontagem e/ou modificação na máquina original sem autorização
- Danos como resultado de uso indevido, limpeza insuficiente ou manutenção inadequada
- Danos como resultado de incêndio, desmoronamento de edifício, relâmpago, inundação, picos de energia ou insetos
- Não ler ou não cumprir o manual do utilizador
- Consumíveis e peças propensas a desgaste
- Uma fatura alterada ou nenhuma fatura

## 2. INFORMAÇÃO DO PRODUTO

### 2.1 Uso pretendido

Este aparelho só pode ser utilizado para o fim para o qual foi concebido e destinado. O fabricante e o fornecedor não se responsabilizam por quaisquer danos causados pela operação incorreta e uso impróprio.

Este é um produto comercial e deve ser usado apenas por um profissional treinado que leu e compreendeu este manual. Não deve ser utilizado por crianças ou pessoas com capacidades reduzidas sem supervisão.

### 2.2 Especificações

| MAXIMA PLANETARY MIXER 7L |                       |           |                       |                 |                  |                   |
|---------------------------|-----------------------|-----------|-----------------------|-----------------|------------------|-------------------|
| Artigo                    | Dimensões (cm)        | Peso (kg) | Entrada               | Alimentação (W) | Velocidade (rpm) | Tigela Capacidade |
| 09300151                  | W24,0 x D42,5 x H42,5 | 17        | 220V / 50Hz / 1 Phase | 350             | 100 - 938        | 6,5 Litres        |
| 09300152                  |                       |           |                       |                 |                  |                   |
| 09300153                  |                       |           |                       |                 |                  |                   |
| 09300154                  |                       |           |                       |                 |                  |                   |
| 09360750                  |                       |           |                       |                 |                  |                   |
| 09360755                  |                       |           |                       |                 |                  |                   |
| 09360760                  |                       |           |                       |                 |                  |                   |
| 09360765                  |                       |           |                       |                 |                  |                   |
| 09360770                  |                       |           |                       |                 |                  |                   |
| 09360775                  |                       |           |                       |                 |                  |                   |
| 09360780                  |                       |           |                       |                 |                  |                   |
| 09360785                  |                       |           |                       |                 |                  |                   |
| 09360790                  |                       |           |                       |                 |                  |                   |

PT

### 2.3 Funcionalidades

Os produtos Maxima oferecem uma ampla gama de funcionalidades. Pode ler mais sobre isto no Anexo 1.

### 2.4 Lista de peças

Uma lista abrangente das peças deste aparelho está disponível no Anexo 2.

## 3. TRANSPORTE

### 3.1 Transporte e manuseamento

Este aparelho tem de ser levantado por duas ou mais pessoas. Lembre-se de levantar sempre a partir das suas pernas e não das suas costas. Nunca tente levantar ou mover objetos que estejam além das suas capacidades. Peça ajuda ou utilize equipamento apropriado, caso seja necessário.

### 3.2 Embalagem

Desembale e inspecione o seu produto adquirido imediatamente após receber o mesmo. Se houver algum defeito latente ou dano no item, entre imediatamente em contacto com o seu fornecedor. Guarde todos os materiais de embalagem para o caso de a máquina ter de ser devolvida ou inspecionada pela transportadora.

### 3.3 Antes do uso

Remova qualquer película protetora de todas as superfícies e limpe bem o aparelho e os acessórios antes do uso (consulte a seção 6 "Manutenção").

## 4. CONFIGURAÇÃO INICIAL

### 4.1 Cabos e ligações

Se a sua máquina for fornecida com uma ficha moldada instalada de fábrica, pode ligar a unidade a uma tomada elétrica padrão. Certifique-se de que a tensão da máquina e a tomada da parede são compatíveis.

Se a sua máquina não for fornecida com uma ficha moldada instalada de fábrica, deverá ser contratado um electricista certificado para ligar a unidade à fonte de alimentação.

Pode consultar o diagrama de circuito no Anexo 3.

### 4.2 Colocação

O aparelho deve ser posicionado sobre uma superfície estável e plana. Escolha uma superfície que não fique exposta à luz solar direta nem perto de uma fonte direta de calor, como um fogão, forno ou radiador.

Ao posicionar o aparelho, mantenha uma distância de 10 cm (4 polegadas) entre o aparelho e as paredes ou outros objetos, para ventilação e facilidade de utilização.

Posicione o aparelho de forma que a ficha esteja sempre acessível. Ligue sempre o cabo de alimentação a uma tomada compatível com aterramento.

## 5. FUNCIONAMENTO

### 5.1 Como usar o aparelho

- Use a alavanca localizada na lateral do aparelho para soltar e inclinar a cabeça do motor para cima.
- Adicione os ingredientes à tigela ou gire a tigela para removê-la completamente. Certifique-se de que, de seguida, a tigela é novamente bloqueada no lugar.
- i** A tampa de segurança transparente pode ser removida, se desejado. No entanto, recomenda-se sempre utilizar o aparelho com a tampa de segurança colocada.
- Monte o acessório desejado: batedor, gancho de massa ou raquete.
- Quando a tigela e o acessório estiverem prontos, baixe a cabeça do motor e prenda-a apertando a alavanca. O aparelho não funcionará se a cabeça não estiver baixada corretamente, devido à funcionalidade de segurança.
- Selecione uma velocidade usando o botão de velocidade e pressione o botão Start (Iniciar) para ativar o aparelho.
- !** Comece sempre a misturar numa velocidade baixa e aumente gradualmente a velocidade, conforme necessário. A velocidade pode ser ajustada durante a operação, sem problemas.
- Se notar que o aparelho tem dificuldade em misturar na velocidade definida, diminua a velocidade ou reduza a quantidade de produto a processar.
- i** Não opere o aparelho durante mais de 30 minutos consecutivos e interrompa a operação por completo durante, no mínimo, 15 minutos entre os ciclos de mistura.
- !** Para proteger o motor contra danos, o aparelho está equipado com uma proteção contra sobrecarga. Quando acionado, o aparelho desliga automaticamente e deve ser deixado arrefecer durante 60 minutos antes de retomar as operações (consulte a tabela abaixo). Pode reiniciar a máquina premindo o botão de reinicialização na parte de trás da mesma depois de esta ter arrefecido.
- i** Qualquer dano causado por sobrecarga do motor não é coberto pela garantia.
- Quando terminar, reduza a velocidade de mistura para a configuração mais baixa e desligue o aparelho.
- Limpe cuidadosamente o aparelho após cada utilização.
- Se o aparelho não for usado durante um longo período de tempo, retire a ficha da tomada elétrica.

### 5.2 Limpeza

- Verifique e limpe regularmente o aparelho, as suas peças e acessórios.
- Desligue e desconecte sempre a alimentação de energia e gás antes da limpeza ou manutenção.
- Nunca use agentes de limpeza agressivos ou abrasivos. Não use solventes ou agentes de limpeza à base de petróleo. Alguns agentes de limpeza podem deixar resíduos nocivos ou causar danos na máquina. Utilize antes um agente de limpeza suave e seguro para alimentos.
- Não use quaisquer esfregões nem objetos pontiagudos durante a limpeza, pois isto pode causar danos na máquina.
- Nunca lave a máquina com mangueira nem a mergulhe em água ou qualquer outro líquido. Em vez disso, limpe o exterior com um pano húmido. Não utilize um vaporizador para limpar a máquina.
- Nunca deixe o cabo de alimentação ou o plugue de alimentação molhar.
- A tigela é adequada para ser colocada na máquina de lavar louça.

## 6. MANUTENÇÃO

Verifique regularmente o plugue e o cabo de alimentação quanto a danos. Se algum deles estiver danificado, não use o aparelho. Em vez disso, peça a um engenheiro elétrico certificado que efetue as reparações necessárias.

| INTERVALO    | AÇÃO                      | DESCRIÇÃO  |
|--------------|---------------------------|--|
| Diário       | Limpeza e desinfecção     | Limpe bem o aparelho e os acessórios após cada utilização, com um pano macio e detergente próprio para alimentos |
| Semanalmente | Limpeza de superfície     | Recomenda-se limpar o exterior do aparelho, no mínimo, uma vez por semana  |
| Anual        | Lubrificar as engrenagens | Remova a tampa superior da cabeça do motor e lubrifique as engrenagens   |

## 7. RESOLUÇÃO DE PROBLEMAS

| PROBLEMA                         | CAUSA POSSÍVEL  | SOLUÇÃO POSSÍVEL  |
|----------------------------------|---|---|
| O aparelho não funciona          | O aparelho está desligado                                 | Ligue o aparelho  |
|                                  | O fornecimento de energia foi interrompido                | Verifique a fonte de alimentação e ligue o cabo de alimentação          |
|                                  | A tensão não é a indicada                                 | Use uma fonte de alimentação compatível                                 |
|                                  | Proteção contra sobrecarga activada                       | Premir o botão preto na parte de trás da máquina                        |
| Ruído incomum                    | Engrenagens danificadas ou insuficientemente lubrificadas | Substitua a peça danificada e/ou lubrifique as engrenagens              |
|                                  | Carga muito pesada  | Reduza a carga  |
|                                  | Acessório ou tigela não encaixado corretamente            | Certifique-se de que as peças estão fixas na posição                    |
| Aparelho parou de funcionar      | Proteção contra sobrecarga activada                       | Aguardar 15 minutos e repor o interruptor de proteção contra sobrecarga |
| Não está a misturar corretamente | Configuração de velocidade errada                         | Altere a velocidade   |
|                                  | Carga muito pesada  | Reduza a carga  |

## 8. ARMAZENAR

Enrole o cabo de alimentação e guarde-o em segurança. Certifique-se de que o aparelho está bem limpo antes de o guardar. Armazenar em local fresco e seco.





## 9. DESCARTAR

Ao descartar este aparelho, faça-o de acordo com os regulamentos locais e nacionais. Também é importante descartar corretamente quaisquer materiais relacionados. Este equipamento pode conter embalagens e acessórios que devem ser recolhidos e descartados separadamente. Estes não devem ser tratados como resíduos urbanos indiferenciados.

**Reciclagem:** Ao descartar os resíduos de maneira adequada, está a ajudar a evitar danos ao meio ambiente, que podem ser causados pelo tratamento inadequado dos resíduos.

**Embalagem:** A embalagem é feita de materiais que devem ser descartados em instalações de reciclagem locais.

**Baterias:** Se a máquina contiver baterias, estas podem conter substâncias tóxicas e são perigosas para o meio ambiente. Elimine as baterias usadas ou recarregáveis de forma responsável, através de um ponto de recolha local.

**Peças eletrônicas:** Se este aparelho contiver peças eletrônicas, favor descartar o lixo elétrico em um ponto de coleta de reciclagem de equipamentos eletrônicos.



## CUPRINS

|  |            |
|--|------------|
| <b>1. PREFERAȚĂ .....</b>                  | <b>86</b>  |
| 1.1 Introducere .....                      | 86         |
| 1.2 Informații generale .....              | 86         |
| 1.3 Garanție .....                         | 86         |
| <b>2. INFORMAȚII DESPRE PRODUS .....</b>   | <b>87</b>  |
| 2.1 Utilizarea prevăzută .....             | 87         |
| 2.2 Specificații .....                     | 87         |
| 2.3 Caracteristici .....                   | 87         |
| 2.4 Lista de componente .....              | 87         |
| <b>3. TRANSPORT .....</b>                  | <b>88</b>  |
| 3.1 Transport și manipulare .....          | 88         |
| 3.2 Ambalaj .....                          | 88         |
| 3.3 Înainte de utilizare .....             | 88         |
| <b>4. INSTALARE ÎNȚIALĂ .....</b>          | <b>88</b>  |
| 4.1 Cablare și conexiuni .....             | 88         |
| 4.2 Poziționare .....                      | 88         |
| <b>5. FUNCȚIONARE .....</b>                | <b>89</b>  |
| 5.1 Modul de utilizare a aparatului .....  | 89         |
| 5.2 Curățare .....                         | 89         |
| <b>6. ÎNTREȚINERE .....</b>                | <b>90</b>  |
| <b>7. DEPANARE .....</b>                   | <b>90</b>  |
| <b>8. DEPOZITARE .....</b>                 | <b>90</b>  |
| <b>9. ELIMINARE .....</b>                  | <b>91</b>  |
| <b>ANEXA 1. CARACTERISTICI .....</b>       | <b>113</b> |
| <b>ANEXA 2. LISTĂ DE PIESE .....</b>       | <b>114</b> |
| <b>ANEXA 3. DIAGRAMA CIRCUITULUI .....</b> | <b>116</b> |

RO

## INSTRUCȚIUNI DE SIGURANȚĂ

- Acest aparat poate fi utilizat numai pentru scopul pentru care a fost conceput. Nici producătorul și nici furnizorul nu sunt răspunzători pentru daunele cauzate de utilizarea incorectă a acestui produs.
- Acesta este un produs comercial și trebuie utilizat numai de către cei care au citit și au înțeles pe deplin acest manual. Acesta nu trebuie utilizat de copii sau de persoane cu capacități fizice, senzoriale sau mintale reduse fără a fi supravegheate.
- Acest dispozitiv este destinat exclusiv utilizării în spații închise.
- Păstrați aparatul și ștecărul departe de apă și de alte lichide. Dacă oricare dintre acestea este expus la un lichid, deconectați imediat alimentarea cu energie electrică și solicitați verificarea aparatului de către un tehnician autorizat. Nerespectarea acestor instrucțiuni poate duce la șocuri electrice sau chiar la deces.
- Nu utilizați aparatul după ce a căzut sau dacă este deteriorat în vreun fel. Solicitați verificarea și repararea acestuia de către un tehnician certificat.
- Nu mutați aparatul în timpul funcționării și nu mutați sau transportați niciodată aparatul de cablul de alimentare.
- Nu așezați sau deplasați aparatul pe o parte, cu susul în jos sau înclinat.
- Nu deschideți carcasa și nu încercați să reparați singur aparatul, cu excepția cazului în care vi se indică acest lucru de către un tehnician de la Maxima. Acest lucru poate duce la anularea garanției, la deteriorarea aparatului sau la apariția unei situații periculoase.
- Nu utilizați niciun dispozitiv sau accesoriu care nu este furnizat împreună cu aparatul sau care nu este proiectat să funcționeze cu acesta.
- Nu vă apropiați niciodată mâinile sau alte părți ale corpului de piesele mobile ale aparatului în timpul funcționării și supravegheați întotdeauna aparatul atunci când este în funcțiune.
- Nu introduceți obiecte în carcasa sau în orificiile aparatului.

- Păstrați toate ambalajele la distanță de copii și eliminați-le în conformitate cu reglementările locale și naționale.
- Evitați supraîncărcarea aparatului.
- Instalația electrică trebuie să fie în conformitate cu reglementările locale.
- Opriți aparatul înainte de a scoate ștecărul de alimentare.
- Deconectați întotdeauna alimentarea cu energie electrică atunci când aparatul nu este utilizat. Pentru a scoate ștecărul din priză, trageți întotdeauna de ștecăr și nu de cablu.
- Nu atingeți ștecărul de alimentare cu mâinile umede sau ude.
- Țineți cablul de alimentare departe de zona de funcționare și nu acoperiți cablul. Evitați contactul cablului de alimentare cu obiecte fierbinți sau ascuțite și țineți-l departe de flăcările deschise.
- Rețineți că, în timp ce ștecărul se află în priză, aparatul este conectat la rețeaua electrică.

RO

## SIMBOLURI DE SIGURANȚĂ



- Depozitați produsul la o temperatură cuprinsă între 10-30°C
- Evitați expunerea la lumina directă a soarelui
- Produs destinat utilizării în spații închise
- Izolație electrică de bază: necesită o conexiune cu împământare
- Eliminarea produsului în conformitate cu reglementările locale privind deșeurile
- Produsul îndeplinește cerințele CE

# 1. PREFAȚĂ

## 1.1 Introducere

Vă mulțumim că ați cumpărat acest produs de la Maxima. În vederea siguranței dvs. și pentru a obține cele mai bune rezultate din achiziția dvs., înainte de a încerca să instalați sau să utilizați acest produs, vă rugăm să citiți cu atenție instrucțiunile. Acest manual trebuie să fie disponibil în orice moment și să fie depozitat lângă aparat.

Toate produsele Maxima sunt certificate CE. Ca urmare, produsele noastre îndeplinesc cerințele legale privind sănătatea, siguranța și mediul înconjurător, așa cum au fost stabilite de Comisia Europeană. În plus, toate produsele sunt testate minuțios înainte de expediere pentru a asigura calitatea și siguranța produsului.

## 1.2 Informații generale

Pentru asistență post-vânzare, vă rugăm să vizitați pagina noastră de asistență pentru clienți la: [https://maxima.com/ro/serviciul\\_clienti](https://maxima.com/ro/serviciul_clienti). Manualele de utilizare sunt disponibile online și pot fi descărcate în format electronic de pe pagina produsului de pe site-ul nostru. Dacă manualul pentru produsul dvs. nu este disponibil, vă rugăm să contactați Serviciul de asistență pentru clienți. Pentru mai multe informații, vizitați site-ul nostru: [www.maxima.com](http://www.maxima.com)

## 1.3 Garanție

Oferim o garanție de 12 luni de la data achiziției, așa cum este indicat pe factura de achiziție. În cadrul garanției, vom livra piese de schimb suplimentare în caz de: defecte materiale, defecte de fabricație sau alte probleme de calitate.

Următoarele nu sunt acoperite de garanție:

- Daune legate de utilizarea incorectă a produsului
- Daune legate de utilizarea unor piese care nu făceau parte din aparatul original
- Deteriorări datorate transportului în altă locație după livrare sau în urma instalării și conectării incorecte
- Deteriorarea componentelor cauzată de o conexiune incorectă la rețeaua electrică sau la apă
- Deteriorări ca urmare a dezasamblării și/sau modificării aparatului original fără permisiune
- Deteriorări ca urmare a unei utilizări greșite, a unei curățări necorespunzătoare sau a unei întrețineri necorespunzătoare
- Daune cauzate de incendii, prăbușirea unei clădiri, fulgere, inundații, supratensiuni sau paraziți
- Necitirea sau nerespectarea manualului de utilizare
- Consumabile și piese predispușe la uzură
- O factură modificată sau nicio factură

## 2. INFORMAȚII DESPRE PRODUS

### 2.1 Utilizarea prevăzută

Acest aparat poate fi utilizat numai în scopul pentru care a fost proiectat și destinat. Producătorul și furnizorul nu sunt răspunzători pentru daunele cauzate de funcționarea incorectă și de utilizarea necorespunzătoare.

Acesta este un produs comercial și trebuie utilizat numai de către un profesionist calificat care a citit și a înțeles acest manual. Acesta nu trebuie utilizat de copii sau de persoane cu capacități reduse fără supraveghere.

### 2.2 Specificații

| MAXIMA PLANETARY MIXER 7L |                       |               |                       |            |              |                     |
|---------------------------|-----------------------|---------------|-----------------------|------------|--------------|---------------------|
| Articol                   | Dimensiuni (cm)       | Greutate (kg) | Intrare               | Putere (W) | Viteză (RPM) | Capacitatea Vasului |
| 09300151                  | W24,0 x D42,5 x H42,5 | 17            | 220V / 50Hz / 1 Phase | 350        | 100 - 938    | 6,5 Litres          |
| 09300152                  |                       |               |                       |            |              |                     |
| 09300153                  |                       |               |                       |            |              |                     |
| 09300154                  |                       |               |                       |            |              |                     |
| 09360750                  |                       |               |                       |            |              |                     |
| 09360755                  |                       |               |                       |            |              |                     |
| 09360760                  |                       |               |                       |            |              |                     |
| 09360765                  |                       |               |                       |            |              |                     |
| 09360770                  |                       |               |                       |            |              |                     |
| 09360775                  |                       |               |                       |            |              |                     |
| 09360780                  |                       |               |                       |            |              |                     |
| 09360785                  |                       |               |                       |            |              |                     |
| 09360790                  |                       |               |                       |            |              |                     |

RO

### 2.3 Caracteristici

Produsele Maxima oferă o gamă largă de caracteristici. Puteți citi mai multe despre acestea în Anexa 1.

### 2.4 Lista de componente

O listă completă a pieselor acestui aparat este disponibilă în Anexa 2.

## 3. TRANSPORT

### 3.1 Transport și manipulare

Acest aparat trebuie să fie ridicat de două sau mai multe persoane. Nu uitați să ridicați întotdeauna folosind picioarele și nu spatele. Nu încercați niciodată să ridicați sau să mutați obiecte care vă depășesc capacitățile. Cereți asistență sau folosiți echipamentul adecvat, dacă este necesar.

### 3.2 Ambalaj

Despachetați și inspectați produsul achiziționat imediat după ce l-ați primit. În cazul în care există defecte ascunse sau deteriorări ale articolului, vă rugăm să contactați imediat furnizorul dvs. Păstrați toate materialele de ambalare în cazul în care aparatul trebuie returnat sau inspectat de către curier.

### 3.3 Înainte de utilizare

Îndepărtați orice membrană de protecție de pe orice suprafață și curățați bine aparatul și accesoriile înainte de utilizare (a se vedea secțiunea 6 "Întreținere").

## 4. INSTALARE INIȚIALĂ

### 4.1 Cablare și conexiuni

Dacă aparatul dvs. este livrat cu un ștecăr turnat din fabrică, atunci puteți conecta unitatea la o priză electrică standard. Asigurați-vă că tensiunea aparatului și cea a prizei de perete sunt compatibile.

Dacă aparatul dvs. nu este livrat cu un ștecăr turnat din fabrică, atunci trebuie să apelați la un electrician autorizat pentru a conecta unitatea la sursa de alimentare.

Diagrama circuitului se găsește în Anexa 3.

### 4.2 Poziționare

Aparatul trebuie să fie poziționat pe o suprafață stabilă și plană. Alegeți o suprafață care nu este expusă în mod direct la lumina soarelui și care nu se află în apropierea unei surse directe de căldură, cum ar fi un aragaz, un cuptor sau un radiator.

Când poziționați aparatul, păstrați o distanță de 10 cm (4") între aparat și pereți sau alte obiecte pentru ventilație și ușurință în utilizare.

Poziționați aparatul astfel încât ștecărul să fie accesibil în orice moment. Conectați întotdeauna cablul de alimentare la o priză compatibilă, cu împământare.



## 5. FUNCȚIONARE

### 5.1 Modul de utilizare a aparatului

- Folosiți maneta situată pe partea laterală a aparatului pentru a slăbi și a înclina capul motorului în sus.
- Adăugați ingredientele în vasul de amestecare sau rotiți vasul de amestecare pentru a-l îndepărta complet. Asigurați-vă că vasul de amestecare este blocat la loc după aceea.
- i** Capacul de siguranță transparent poate fi îndepărtat, dacă se dorește. Cu toate acestea, se recomandă să utilizați întotdeauna aparatul cu capacul de siguranță la locul lui.
- Montați accesoriul dorit: telul, cârligul pentru aluat sau paleta de amestecare.
- Odată ce vasul și accesoriul sunt gata, coborâți capul motorului și fixați-l prin strângerea manetei. Aparatul nu va funcționa dacă capul nu este coborât în mod corespunzător din cauza dispozitivului de siguranță.
- Cu ajutorul selectorului de viteză, selectați o viteză și apăsați butonul de pornire pentru a activa aparatul.
- !** Întotdeauna începeți să amestecați la o viteză mică și creșteți treptat viteza după cum este necesar. Viteza poate fi ajustată în timpul funcționării, fără probleme.
- Dacă observați că aparatul are dificultăți de amestecare la viteza setată, reduceți viteza sau reduceți cantitatea produsului de preparat.
- i** Vă rugăm să nu folosiți aparatul pentru mai mult de 30 de minute consecutive și să întrerupeți complet funcționarea pentru cel puțin ~15 minute între ciclurile de amestecare.
- !** Pentru a proteja motorul împotriva deteriorării, aparatul este dotat cu o protecție împotriva suprasarcinii. Atunci când se activează, aparatul se oprește automat și trebuie lăsat să se răcească timp de 60 de minute înainte de a relua funcționarea (a se vedea tabelul de mai jos). Puteți reporni aparatul apăsând butonul de resetare de pe partea din spate a acestuia după ce s-a răcit.
- i** Orice deteriorare cauzată de supraîncărcarea motorului nu este acoperită de garanție.
- Când ați terminat, reduceți viteza de amestecare la cea mai mică treaptă și opriți aparatul.
- După fiecare utilizare, curățați amănunțit aparatul.
- În cazul în care aparatul nu va fi utilizat pentru o perioadă mai lungă de timp, deconectați întotdeauna alimentarea cu energie electrică.

### 5.2 Curățare

- Verificați și curățați în mod regulat aparatul, piesele și accesoriile acestuia.
- Înainte de orice operațiune de curățare sau întreținere, opriți și deconectați întotdeauna alimentarea cu energie electrică și cu gaz.
- Nu utilizați niciodată agenți de curățare agresivi sau abrazivi. Nu utilizați solvenți sau agenți de curățare pe bază de petrol. Anumiți agenți de curățare pot lăsa reziduuri dăunătoare sau pot provoca deteriorarea aparatului. Folosiți în schimb un produs de curățare ușor și sigur pentru alimente.
- Nu folosiți un burete abraziv sau obiecte ascuțite în timpul curățării, deoarece acest lucru poate deteriora aparatul.
- Nu spălați niciodată aparatul cu furtunul și nu îl scufundați în apă sau în orice alt lichid. În schimb, ștergeți exteriorul cu o cârpă umedă. Nu folosiți un aparat cu aburi pentru a curăța aparatul.
- Nu lăsați niciodată cablul de alimentare sau ștecărul să se ude.
- Bolul poate fi introdus în mașina de spălat vase.

## 6. ÎNTREȚINERE

Verificați periodic dacă ștecărul și cablul de alimentare sunt deteriorate. Dacă vreunul dintre ele este deteriorat, nu utilizați aparatul. În schimb, apălați la un electrician autorizat pentru a-l repara.

| INTERVAL   | ACȚIUNE                  | DESCRIERE   |
|------------|--------------------------|---|
| Zilnic     | Curățare și dezinfectare | Curățați minuțios aparatul și accesoriile după fiecare utilizare cu o cârpă moale și un detergent adecvat pentru alimente |
| Săptămănal | Curățarea suprafețelor   | Este recomandat să ștergeți exteriorul aparatului cel puțin o dată pe săptămână   |
| Anual      | Lubrificați angrenajele  | Îndepărtați capacul superior al capului motorului și lubrificați angrenajele  |

## 7. DEPANARE

| PROBLEMĂ                              | CAUZĂ POSIBILĂ                                    | SOLUȚIE POSIBILĂ  |
|---------------------------------------|---|---|
| Aparatul nu funcționează              | Aparatul este oprit                               | Porniți aparatul  |
|                                       | Alimentarea cu energie electrică este întreruptă  | Verificați alimentarea cu energie electrică, conectați cablul de alimentare |
|                                       | Tensiunea nu este corectă                         | Utilizați o sursă de alimentare compatibilă                                 |
|                                       | Protecție la suprasarcină activată                | Apăsați pe butonul negru de pe partea din spate a aparatului                |
| Zgomot neobișnuit                     | Angrenaje deteriorate sau insuficient lubrificate | Înlocuiți piesa deteriorată și/sau lubrificați angrenajele                  |
|                                       | Sarcină prea mare                                 | Reducerea sarcinii  |
|                                       | Accesorii sau vasul nu este atașat corect         | Asigurați-vă că piesele sunt fixate în poziție                              |
| Aparatul a încetat să mai funcționeze | Protecție la suprasarcină activată                | Așteptați 15 minute și reseați întrerupătorul de protecție la suprasarcină  |
| Nu amestecă în mod corespunzător      | Setare greșită a vitezei                          | Modificare viteză   |
|                                       | Sarcină prea mare                                 | Reducerea sarcinii  |

## 8. DEPOZITARE

Înfășurați cablul de alimentare și depozitați-l în siguranță. Înainte de a depozita aparatul, asigurați-vă că acesta este bine curățat. A se păstra într-un loc răcoros și uscat.

## 9. ELIMINARE

Când eliminați acest aparat, vă rugăm să o faceți în conformitate cu reglementările locale și naționale. De asemenea, este important să eliminați corect toate materialele aferente. Acest echipament poate conține ambalaje și accesorii care trebuie colectate și eliminate separat. Acestea nu trebuie tratate ca deșeuri municipale nesortate.

**Reciclare:** Eliminând deșeurile în mod corespunzător, contribuiți la evitarea pericolelor pentru mediu care ar putea fi cauzate de tratarea necorespunzătoare a deșeurilor.

**Ambalare:** Ambalajul este fabricat din materiale care pot fi eliminate prin intermediul instalațiilor locale de reciclare.

**Baterii:** Dacă aparatul conține o baterie, aceasta poate conține substanțe toxice și reprezintă un pericol pentru mediu. Vă rugăm să aruncați bateriile uzate sau reîncărcabile în mod responsabil la un punct de colectare local.

**Electronic:** Dacă acest aparat conține componente electronice, vă rugăm să aruncați deșeurile electrice la un punct de colectare pentru reciclarea echipamentelor electronice.



## ΠΙΝΑΚΑΣ ΠΕΡΙΕΧΟΜΕΝΩΝ

|   |            |
|---|------------|
| <b>1. ΠΡΟΛΟΓΟΣ .....</b>                        | <b>96</b>  |
| 1.1 Εισαγωγή.....                               | 96         |
| 1.2 Γενικές πληροφορίες.....                    | 96         |
| 1.3 Εγγύηση .....                               | 96         |
| <b>2. ΠΛΗΡΟΦΟΡΙΕΣ ΠΡΟΪΟΝΤΟΣ .....</b>           | <b>97</b>  |
| 2.1 Προβλεπόμενη χρήση .....                    | 97         |
| 2.2 Προδιαγραφές .....                          | 97         |
| 2.3 Χαρακτηριστικά .....                        | 97         |
| 2.4 Κατάλογος εξαρτημάτων .....                 | 97         |
| <b>3. ΜΕΤΑΦΟΡΑ.....</b>                         | <b>98</b>  |
| 3.1 Μεταφορά και χειρισμός.....                 | 98         |
| 3.2 Συσκευασία.....                             | 98         |
| 3.3 Πριν τη χρήση.....                          | 98         |
| <b>4. ΑΡΧΙΚΗ ΕΓΚΑΤΑΣΤΑΣΗ .....</b>              | <b>98</b>  |
| 4.1 Καλωδίωση και συνδέσεις .....               | 98         |
| 4.2 Τοποθέτηση .....                            | 98         |
| <b>5. ΛΕΙΤΟΥΡΓΙΑ.....</b>                       | <b>99</b>  |
| 5.1 Τρόπος χρήσης της συσκευής .....            | 99         |
| 5.2 Καθαρισμός .....                            | 100        |
| <b>6. ΣΥΝΤΗΡΗΣΗ .....</b>                       | <b>100</b> |
| <b>7. ΑΝΤΙΜΕΤΩΠΙΣΗ ΠΡΟΒΛΗΜΑΤΩΝ.....</b>         | <b>101</b> |
| <b>8. ΑΠΟΘΗΚΕΥΣΗ .....</b>                      | <b>101</b> |
| <b>9. ΑΠΟΡΡΙΨΗ .....</b>                        | <b>101</b> |
| <b>ΠΡΟΣΑΡΤΗΜΑ 1. ΧΑΡΑΚΤΗΡΙΣΤΙΚΑ .....</b>       | <b>113</b> |
| <b>ΠΡΟΣΑΡΤΗΜΑ 2. ΚΑΤΑΛΟΓΟΣ ΕΞΑΡΤΗΜΑΤΩΝ.....</b> | <b>114</b> |
| <b>ΠΡΟΣΑΡΤΗΜΑ 3. ΚΥΚΛΩΜΑΤΙΚΟ ΔΙΑΓΡΑΜΜΑ.....</b> | <b>116</b> |

## ΟΔΗΓΙΕΣ ΑΣΦΑΛΕΙΑΣ

- Αυτή η συσκευή επιτρέπεται να χρησιμοποιείται μόνο για το σκοπό που έχει σχεδιαστεί. Ούτε ο κατασκευαστής αλλά ούτε και ο προμηθευτής ευθύνονται για ζημιές που προκαλούνται από τη λανθασμένη χρήση αυτού του προϊόντος.
- Αυτό είναι ένα εμπορικό προϊόν και θα πρέπει να χρησιμοποιείται μόνο από όσους έχουν διαβάσει και κατανοήσει πλήρως το παρόν εγχειρίδιο. Δεν πρέπει να χρησιμοποιείται από παιδιά ή άτομα με μειωμένες σωματικές, αισθητηριακές ή διανοητικές ικανότητες χωρίς επίβλεψη.
- Αυτή η συσκευή προορίζεται μόνο για χρήση σε εσωτερικούς χώρους.
- Κρατήστε τη συσκευή και το ηλεκτρικό φις μακριά από νερό και άλλα υγρά. Εάν κάποιο από τα δύο εκτεθεί σε κάποιο υγρό, αποσυνδέστε αμέσως την παροχή ρεύματος και αναθέστε τον έλεγχο της συσκευής σε πιστοποιημένο τεχνικό. Η μη τήρηση αυτών των οδηγιών μπορεί να προκαλέσει ηλεκτροπληξία ή ακόμα και θάνατο.
- Μην χρησιμοποιείτε τη συσκευή μετά από πτώση ή αν έχει υποστεί ζημιά με οποιονδήποτε τρόπο. Να ελεγχθεί και να επισκευαστεί από πιστοποιημένο τεχνικό.
- Μην μετακινείτε τη συσκευή κατά τη λειτουργία της και ποτέ μη μετακινείτε ή μεταφέρετε τη συσκευή από το καλώδιο ρεύματος.
- Μην τοποθετείτε ή μετακινείτε τη συσκευή στο πλάι, ανάποδα ή με κλίση.
- Μην ανοίγετε το περίβλημα και μην προσπαθείτε να επισκευάσετε τη συσκευή μόνοι σας, εκτός αν σας δοθεί σχετική εντολή από έναν τεχνικό της Maxima. Αυτό μπορεί να ακυρώσει την εγγύηση, να προκαλέσει ζημιά στο μηχάνημα ή να οδηγήσει σε επικίνδυνη κατάσταση.
- Μην χρησιμοποιείτε συσκευές ή αξεσουάρ που δεν παρέχονται με τη συσκευή ή δεν έχουν σχεδιαστεί για να λειτουργούν με αυτήν.
- Κατά τη λειτουργία της συσκευής, μην τοποθετείτε ποτέ τα χέρια σας ή άλλα μέρη του σώματός σας κοντά στα κινούμενα μέρη της συσκευής και προσέχετε πάντα τη συσκευή όταν είναι σε λειτουργία.

- Μην εισάγετε αντικείμενα στο περίβλημα ή στα ανοίγματα της συσκευής.
- Κρατήστε όλες τις συσκευασίες μακριά από παιδιά και απορρίψτε τις συσκευασίες σύμφωνα με τους τοπικούς και εθνικούς κανονισμούς.
- Αποφύγετε την υπερφόρτωση της συσκευής.
- Η ηλεκτρική εγκατάσταση πρέπει να συμμορφώνεται με τους τοπικούς κανονισμούς.
- Απενεργοποιήστε τη συσκευή πριν βγάλετε το φις από την πρίζα.
- Αποσυνδέετε πάντα την παροχή ρεύματος όταν η συσκευή δεν χρησιμοποιείται. Για να βγάλετε το βύσμα από την πρίζα, τραβάτε πάντα το ίδιο το βύσμα και όχι το καλώδιο.
- Μην αγγίζετε το φις ρεύματος με υγρά ή βρεγμένα χέρια.
- Κρατήστε το καλώδιο τροφοδοσίας μακριά από την περιοχή λειτουργίας και μην καλύπτετε το καλώδιο. Βεβαιωθείτε ότι το καλώδιο τροφοδοσίας δεν έρχεται σε επαφή με καυτά ή αιχμηρά αντικείμενα και κρατήστε το μακριά από φλόγες.
- Σημειώστε ότι όσο το φις βρίσκεται στην πρίζα, η συσκευή είναι συνδεδεμένη στο ηλεκτρικό δίκτυο.

GR

## ΣΥΜΒΟΛΑ ΑΣΦΑΛΕΙΑΣ



- Φυλάσσετε το προϊόν μεταξύ 10-30°C
- Αποφύγετε την τοποθέτηση σε άμεσο ηλιακό φως
- Το προϊόν προορίζεται για χρήση σε εσωτερικούς χώρους
- Βασική ηλεκτρική μόνωση: απαιτεί γείωση
- Απόρριψη του προϊόντος σύμφωνα με τους τοπικούς κανονισμούς για τα απόβλητα
- Το προϊόν πληροί τις απαιτήσεις ΕΚ

# 1. ΠΡΟΛΟΓΟΣ

## 1.1 Εισαγωγή

Σας ευχαριστούμε που αγοράσατε αυτό το προϊόν από τη Maxima. Προκειμένου να διασφαλίσετε την ασφάλειά σας και να αξιοποιήσετε στο έπακρο την αγορά σας, πριν επιχειρήσετε να εγκαταστήσετε ή να χρησιμοποιήσετε αυτό το προϊόν, διαβάστε προσεκτικά τις οδηγίες. Το παρόν εγχειρίδιο πρέπει να είναι διαθέσιμο ανά πάσα στιγμή και να φυλάσσεται κοντά στη συσκευή.

Όλα τα προϊόντα Maxima είναι πιστοποιημένα κατά ΚΕ. Ως αποτέλεσμα, τα προϊόντα μας πληρούν τις νομικές απαιτήσεις σχετικά με την υγεία, την ασφάλεια και το περιβάλλον, όπως ορίζονται από την ΕΕ. Επιπλέον, πριν από την αποστολή, όλα τα προϊόντα ελέγχονται διεξοδικά για να διασφαλιστεί η ποιότητα και η ασφάλεια των προϊόντων.

## 1.2 Γενικές πληροφορίες

Για υποστήριξη μετά την πώληση, επισκεφθείτε τη σελίδα εξυπηρέτησης πελατών στη διεύθυνση: <https://maxima.com/gr/service>. Τα εγχειρίδια χρήσης είναι διαθέσιμα στο διαδίκτυο και μπορείτε να τα κατεβάσετε ηλεκτρονικά από τη σελίδα του προϊόντος στον ιστότοπό μας. Εάν το εγχειρίδιο για το προϊόν σας δεν είναι διαθέσιμο, επικοινωνήστε με την Εξυπηρέτηση Πελατών. Για περισσότερες πληροφορίες, επισκεφθείτε την ιστοσελίδα μας: [www.maxima.com](http://www.maxima.com)

## 1.3 Εγγύηση

Παρέχουμε εγγύηση 12 μηνών από την ημερομηνία αγοράς, όπως αναφέρεται στο τιμολόγιο αγοράς σας. Στο πλαίσιο της εγγύησης, θα παραδώσουμε πρόσθετα ανταλλακτικά σε περίπτωση: υλικών ελαττωμάτων, κατασκευαστικών ελαττωμάτων ή άλλων ζητημάτων ποιότητας.

Τα ακόλουθα δεν καλύπτονται από την εγγύηση:

- Ζημιές που οφείλονται σε λανθασμένη χρήση του προϊόντος
- Ζημιές που σχετίζονται με τη χρήση εξαρτημάτων που δεν αποτελούσαν μέρος του αρχικού μηχανήματος
- Ζημιά λόγω μεταφοράς σε άλλη τοποθεσία μετά την παράδοση ή λανθασμένης εγκατάστασης και σύνδεσης
- Βλάβη εξαρτήματος που προκαλείται από λανθασμένη ηλεκτρική σύνδεση ή σύνδεση νερού
- Ζημιά ως αποτέλεσμα αποσυναρμολόγησης και/ή τροποποίησης του αρχικού μηχανήματος χωρίς άδεια
- Βλάβη ως αποτέλεσμα κακής χρήσης, κακού καθαρισμού ή ακατάλληλης συντήρησης
- Ζημιές ως αποτέλεσμα πυρκαγιάς, κατάρρευσης κτιρίου, κεραυνού, πλημμύρας, υπερτάσεων ρεύματος ή παρασίτων
- Μη ανάγνωση ή μη τήρηση του εγχειριδίου χρήσης
- Αναλώσιμα και εξαρτήματα επιρρεπή στη φθορά
- Ένα τροποποιημένο τιμολόγιο ή κανένα τιμολόγιο



## 2. ΠΛΗΡΟΦΟΡΙΕΣ ΠΡΟΪΟΝΤΟΣ

### 2.1 Προβλεπόμενη χρήση

Αυτή η συσκευή επιτρέπεται να χρησιμοποιείται μόνο για τον σκοπό για τον οποίο σχεδιάστηκε και προορίζεται. Ο κατασκευαστής και ο προμηθευτής δεν ευθύνονται για τυχόν ζημιές που προκαλούνται από λανθασμένη λειτουργία και ακατάλληλη χρήση.

Αυτό είναι ένα εμπορικό προϊόν και πρέπει να χρησιμοποιείται μόνο από εκπαιδευμένο επαγγελματία που έχει διαβάσει και κατανοήσει το παρόν εγχειρίδιο. Δεν πρέπει να χρησιμοποιείται από παιδιά ή άτομα με μειωμένες ικανότητες χωρίς επίβλεψη.

### 2.2 Προδιαγραφές

| MAXIMA PLANETARY MIXER 7L |                       |            |                       |           |                |              |
|---------------------------|-----------------------|------------|-----------------------|-----------|----------------|--------------|
| ΚΩΔΙΚΟΣ ΠΡΟΪΟΝΤΟΣ         | ΔΙΑΣΤΑΣΕΙΣ (cm)       | ΒΑΡΟΣ (KG) | ΤΡΟΦΟΔΟΣΙΑ            | ΙΣΧΥΣ (W) | ΤΑΧΥΤΗΤΑ (RPM) | ΧΩΡΗΤΙΚΟΤΗΤΑ |
| 09300151                  | W24,0 x D42,5 x H42,5 | 17         | 220V / 50Hz / 1 Phase | 350       | 100 - 938      | 6,5 Litres   |
| 09300152                  |                       |            |                       |           |                |              |
| 09300153                  |                       |            |                       |           |                |              |
| 09300154                  |                       |            |                       |           |                |              |
| 09360750                  |                       |            |                       |           |                |              |
| 09360755                  |                       |            |                       |           |                |              |
| 09360760                  |                       |            |                       |           |                |              |
| 09360765                  |                       |            |                       |           |                |              |
| 09360770                  |                       |            |                       |           |                |              |
| 09360775                  |                       |            |                       |           |                |              |
| 09360780                  |                       |            |                       |           |                |              |
| 09360785                  |                       |            |                       |           |                |              |
| 09360790                  |                       |            |                       |           |                |              |

GR

### 2.3 Χαρακτηριστικά

Τα προϊόντα της Maxima προσφέρουν ένα ευρύ φάσμα χαρακτηριστικών. Μπορείτε να διαβάσετε περισσότερα για αυτά στο Προσάρτημα 1.

### 2.4 Κατάλογος εξαρτημάτων

Ένας πλήρης κατάλογος των εξαρτημάτων αυτής της συσκευής είναι διαθέσιμος στο Προσάρτημα 2.

## 3. ΜΕΤΑΦΟΡΑ

### 3.1 Μεταφορά και χειρισμός

Αυτή η συσκευή πρέπει να ανυψωθεί από δύο ή περισσότερα άτομα. Να θυμάστε να σηκώνετε πάντα χρησιμοποιώντας τα πόδια και όχι την πλάτη. Ποτέ μην προσπαθείτε να σηκώσετε ή να μετακινήσετε αντικείμενα που υπερβαίνουν τις δυνατότητές σας. Ζητήστε βοήθεια ή χρησιμοποιήστε τον κατάλληλο εξοπλισμό, εάν είναι απαραίτητο.

### 3.2 Συσκευασία

Αφαιρέστε τη συσκευασία και επιθεωρήστε το προϊόν σας αμέσως μετά την παραλαβή. Εάν υπάρχουν τυχόν ελαττώματα ή ζημιές στο προϊόν, παρακαλούμε επικοινωνήστε αμέσως με τον προμηθευτή σας. Φυλάξτε όλα τα υλικά συσκευασίας σε περίπτωση που το μηχάνημα πρέπει να επιστραφεί ή να επιθεωρηθεί από την εταιρεία ταχυμεταφορών.

### 3.3 Πριν τη χρήση

Αφαιρέστε οποιαδήποτε προστατευτική μεμβράνη από οποιεσδήποτε επιφάνειες και καθαρίστε καλά τη συσκευή και τα εξαρτήματα πριν από τη χρήση (βλ. ενότητα 6 "Συντήρηση").

## 4. ΑΡΧΙΚΗ ΕΓΚΑΤΑΣΤΑΣΗ

### 4.1 Καλωδίωση και συνδέσεις

Εάν το μηχάνημά σας παρέχεται με εργοστασιακά τοποθετημένο χυτό βύσμα, τότε μπορείτε να συνδέσετε τη μονάδα σε μια τυπική πρίζα. Βεβαιωθείτε ότι η τάση του μηχανήματος και της πρίζας είναι συμβατές.

Εάν το μηχάνημά σας δεν παρέχεται με εργοστασιακά τοποθετημένο χυτό βύσμα, τότε πρέπει να αναθέσετε σε πιστοποιημένο ηλεκτρολόγο να συνδέσει τη μονάδα με την παροχή ρεύματος.

Παρακαλούμε βρείτε το διάγραμμα κυκλώματος στο Προσάρτημα 3.

### 4.2 Τοποθέτηση

Η συσκευή πρέπει να τοποθετείται σε μια σταθερή, επίπεδη επιφάνεια. Επιλέξτε μια επιφάνεια όπου δεν υπάρχει άμεσο ηλιακό φως και δεν είναι κοντά σε άμεση πηγή θερμότητας, όπως κουζίνα, φούρνος ή καλοριφέρ.

Κατά την τοποθέτηση της συσκευής, κρατήστε μια απόσταση 10 cm (4") μεταξύ της συσκευής και των τοίχων ή άλλων αντικειμένων για εξαερισμό και ευκολία χρήσης.

Τοποθετήστε τη συσκευή έτσι ώστε το φως να είναι προσβάσιμο ανά πάσα στιγμή. Συνδέετε πάντα το καλώδιο ρεύματος σε συμβατή, γειωμένη πρίζα.

## 5. ΛΕΙΤΟΥΡΓΙΑ

### 5.1 Τρόπος χρήσης της συσκευής

- Χρησιμοποιήστε το μοχλό που βρίσκεται στο πλάι της συσκευής για να χαλαρώσετε και να γείρετε την κεφαλή του μοτέρ προς τα πάνω.
- Προσθέστε τα συστατικά σας στο δοχείο ανάμειξης ή περιστρέψτε το δοχείο ανάμειξης για να το αφαιρέσετε εντελώς. Βεβαιωθείτε ότι το δοχείο ανάμειξης έχει ασφαλίσει στη θέση του.
- i** Το διαφανές κάλυμμα ασφαλείας μπορεί να αφαιρεθεί εάν το επιθυμείτε. Ωστόσο, συνιστάται να χρησιμοποιείτε τη συσκευή πάντα με το κάλυμμα ασφαλείας στη θέση του.
- Τοποθετήστε το επιθυμητό εξάρτημα: χτυπητήρι, γάντζο ζύμης ή πτερύγιο ανάμειξης.
- Μόλις το δοχείο και το εξάρτημα είναι έτοιμα, χαμηλώστε την κεφαλή του μοτέρ και ασφαλίστε την σφίγγοντας το μοχλό. Λόγω της λειτουργίας ασφαλείας, η συσκευή δεν θα λειτουργήσει εάν η κεφαλή δεν έχει χαμηλώσει σωστά.
- Επιλέξτε μια ταχύτητα χρησιμοποιώντας τον επιλογέα ταχύτητας και πατήστε το κουμπί εκκίνησης για να ενεργοποιήσετε τη συσκευή.
- ⚠** Ξεκινάτε πάντα την ανάμειξη σε χαμηλή ταχύτητα και αυξάνετε σταδιακά την ταχύτητα, ανάλογα με τις ανάγκες. Κατά τη λειτουργία, η ταχύτητα δύναται να ρυθμίζεται χωρίς πρόβλημα.
- Εάν παρατηρήσετε ότι η συσκευή παρουσιάζει δυσκολία στην ανάμειξη με την καθορισμένη ταχύτητα, μειώστε την ταχύτητα ή μειώστε την ποσότητα του προϊόντος που επεξεργάζεται.
- i** Παρακαλείσθε να μη λειτουργείτε τη συσκευή για περισσότερα από 30 συνεχόμενα λεπτά και να διακόπτετε εντελώς τη λειτουργία της για τουλάχιστον ~15 λεπτά μεταξύ των κύκλων ανάμειξης.
- ⚠** Για την προστασία του κινητήρα από ζημιές, η συσκευή είναι εξοπλισμένη με προστασία υπερφόρτωσης. Όταν ενεργοποιηθεί, η συσκευή απενεργοποιείται αυτόματα και πρέπει να αφηθεί να κρυώσει για 60 λεπτά πριν συνεχίσει τη λειτουργία της (βλ. παρακάτω πίνακα). Μπορείτε να επανεκκινήσετε το μηχάνημα πατώντας το κουμπί επαναφοράς στο πίσω μέρος του αφού κρυώσει.
- i** Οποιαδήποτε βλάβη προκληθεί από υπερφόρτωση του κινητήρα δεν καλύπτεται από την εγγύηση.
- Όταν τελειώσετε, μειώστε την ταχύτητα ανάμειξης στη χαμηλότερη ρύθμιση και απενεργοποιήστε τη συσκευή.
- Μετά από κάθε χρήση καθαρίζετε σχολαστικά τη συσκευή.
- Εάν η συσκευή δεν πρόκειται να χρησιμοποιηθεί για μεγαλύτερο χρονικό διάστημα, αποσυνδέετε πάντοτε το ρεύμα.

GR

## 5.2 Καθαρισμός

- Ελέγχετε και καθαρίζετε τακτικά τη συσκευή, τα εξαρτήματά και τα αξεσουάρ της.
- Πριν από οποιονδήποτε καθαρισμό ή συντήρηση, πρέπει πάντα να απενεργοποιείτε και να αποσυνδέετε την παροχή ρεύματος και αερίου.
- Ποτέ μην χρησιμοποιείτε δραστικά ή λειαντικά καθαριστικά μέσα. Μην χρησιμοποιείτε διαλύτες ή καθαριστικά με βάση το πετρέλαιο. Ορισμένα καθαριστικά μπορεί να αφήσουν επιβλαβή υπολείμματα ή να προκαλέσουν ζημιά στο μηχάνημα. Αντ' αυτού, χρησιμοποιήστε ένα ήπιο καθαριστικό προϊόν που είναι ασφαλές για τα τρόφιμα.
- Μην χρησιμοποιείτε ξύστρα ή αιχμηρά αντικείμενα κατά τον καθαρισμό, καθώς αυτό μπορεί να προκαλέσει ζημιά στο μηχάνημα.
- Ποτέ μην βρέχετε το μηχάνημα με το λάστιχο και μην το εμβαπτίζετε σε νερό ή σε οποιοδήποτε άλλο υγρό. Αντ' αυτού, σκουπίστε το εξωτερικό με ένα υγρό πανί. Για τον καθαρισμό του μηχανήματος μην χρησιμοποιείτε ατμοκαθαριστή.
- Ποτέ μην αφήνετε το καλώδιο τροφοδοσίας ή το φινι τροφοδοσίας να βραχούν.
- Το μπόλ είναι κατάλληλο για πλύσιμο στο πλυντήριο πιάτων.

## 6. ΣΥΝΤΗΡΗΣΗ

Ελέγχετε τακτικά το φινι ρεύματος και το καλώδιο τροφοδοσίας για τυχόν ζημιές. Εάν κάποιο από τα δύο έχει υποστεί ζημιά, μην χρησιμοποιείτε τη συσκευή. Αντ' αυτού, αναθέστε την επισκευή του σε πιστοποιημένο ηλεκτρολόγο μηχανικό.

| ΔΙΑΣΤΗΜΑ     | ΔΡΑΣΗ                     | ΠΕΡΙΓΡΑΦΗ   |
|--------------|---------------------------|---|
| Καθημερινά   | Καθαρισμός και απολύμανση | Καθαρίζετε σχολαστικά τη συσκευή και τα εξαρτήματα μετά από κάθε χρήση με ένα μαλακό πανί και απορρυπαντικό κατάλληλο για τρόφιμα |
| Εβδομαδιαίως | Καθαρισμός επιφάνειας     | Συνιστάται να σκουπίζετε το εξωτερικό της συσκευής τουλάχιστον μία φορά την εβδομάδα  |
| Ετήσια       | Λιπάνετε τα γρανάζια      | Αφαιρέστε το επάνω κάλυμμα της κεφαλής του κινητήρα και λιπάνετε τα γρανάζια  |

## 7. ΑΝΤΙΜΕΤΩΠΙΣΗ ΠΡΟΒΛΗΜΑΤΩΝ

| ΠΡΟΒΛΗΜΑ                          | ΠΙΘΑΝΗ ΑΙΤΙΑ  | ΠΙΘΑΝΗ ΛΥΣΗ  |
|-----------------------------------|---|--|
| Η συσκευή δεν λειτουργεί          | Η συσκευή είναι απενεργοποιημένη                    | Ενεργοποιήστε τη συσκευή   |
|                                   | Η παροχή ρεύματος διακόπτεται                       | Ελέγξτε την παροχή ρεύματος, συνδέστε το καλώδιο τροφοδοσίας             |
|                                   | Η τάση δεν είναι σωστή                              | Χρησιμοποιήστε μια συμβατή πηγή τροφοδοσίας                              |
|                                   | Προστασία υπερφόρτωσης ενεργοποιημένη               | Πατήστε το μαύρο κουμπί στην πίσω πλευρά του μηχανήματος                 |
| Ασυνήθιστος θόρυβος               | Γρανάζια κατεστραμμένα ή ανεπαρκώς λιπασμένα        | Αντικαταστήστε το κατεστραμμένο εξάρτημα και/ή λιπάνετε τα γρανάζια      |
|                                   | Πολύ βαρύ φορτίο                                    | Μειώστε το φορτίο  |
|                                   | Το αξεσουάρ ή το δοχείο δεν είναι σωστά συνδεδεμένο | Βεβαιωθείτε ότι τα εξαρτήματα είναι στερεωμένα στη θέση τους             |
| Η συσκευή σταμάτησε να λειτουργεί | Η προστασία υπερφόρτωσης ενεργοποιείται             | Περιμένετε 15 λεπτά και επαναφέρετε τον διακόπτη προστασίας υπερφόρτωσης |
| Μη σωστή ανάμιξη                  | Λανθασμένη ρύθμιση ταχύτητας                        | Αλλάξτε ταχύτητα   |
|                                   | Πολύ βαρύ φορτίο                                    | Μειώστε το φορτίο  |

GR

## 8. ΑΠΟΘΗΚΕΥΣΗ

Τυλίξτε το καλώδιο τροφοδοσίας και αποθηκεύστε το με ασφάλεια. Βεβαιωθείτε ότι η συσκευή έχει καθαριστεί καλά πριν την αποθηκεύσετε. Αποθηκεύστε σε δροσερό, ξηρό μέρος.

## 9. ΑΠΟΡΡΙΨΗ

Κατά την απόρριψη αυτής της συσκευής, τηρείτε τους τοπικούς και εθνικούς κανονισμούς. Είναι επίσης σημαντικό να απορρίπτετε σωστά όλα τα σχετικά υλικά. Αυτός ο εξοπλισμός μπορεί να περιέχει συσκευασίες και εξαρτήματα που πρέπει να συλλεχθούν και να απορριφθούν χωριστά. Αυτά δεν πρέπει να αντιμετωπίζονται ως μη ταξινομημένα αστικά απόβλητα.

**Ανακύκλωση:** Απορρίπτοντας τα απόβλητα με τον κατάλληλο τρόπο, συμβάλλετε στην αποφυγή κινδύνων στο περιβάλλον που θα μπορούσαν να προκληθούν από την ακατάλληλη επεξεργασία των αποβλήτων.

**Συσκευασία:** Η συσκευασία είναι κατασκευασμένη από υλικά που μπορούν να απορριφθούν μέσω των τοπικών εγκαταστάσεων ανακύκλωσης.

**Μπαταρίες:** Εάν το μηχάνημα περιέχει μπαταρία, αυτή μπορεί να περιέχει τοξικές ουσίες και να αποτελεί κίνδυνο για το περιβάλλον. Παρακαλούμε να απορρίπτετε τις χρησιμοποιημένες ή επαναφορτιζόμενες μπαταρίες με υπευθυνότητα μέσω ενός τοπικού σημείου συλλογής.

**Ηλεκτρονικά:** Εάν αυτή η συσκευή περιέχει ηλεκτρονικά εξαρτήματα, παρακαλείστε να απορρίψετε τα ηλεκτρικά απόβλητα σε ένα σημείο συλλογής ανακύκλωσης ηλεκτρονικού εξοπλισμού.



## СОДЕРЖАНИЕ

|   |            |
|---|------------|
| <b>1. ПРЕДИСЛОВИЕ.....</b>                        | <b>106</b> |
| 1.1 Введение .....                                | 106        |
| 1.2 Общая информация .....                        | 106        |
| 1.3 Гарантия .....                                | 106        |
| <b>2. ИНФОРМАЦИЯ О ПРОДУКТЕ .....</b>             | <b>107</b> |
| 2.1 Назначение .....                              | 107        |
| 2.2 Спецификации .....                            | 107        |
| 2.3 Функции .....                                 | 107        |
| 2.4 Перечень деталей .....                        | 107        |
| <b>3. ТРАНСПОРТИРОВКА.....</b>                    | <b>108</b> |
| 3.1 Транспортировка и обращение .....             | 108        |
| 3.2 Упаковка.....                                 | 108        |
| 3.3 Перед началом использования.....              | 108        |
| <b>4. НАЧАЛЬНАЯ УСТАНОВКА .....</b>               | <b>108</b> |
| 4.1 Подключение и соединение .....                | 108        |
| 4.2 Размещение.....                               | 108        |
| <b>5. ПРИНЦИП РАБОТЫ.....</b>                     | <b>109</b> |
| 5.1 Как пользоваться устройством .....            | 109        |
| 5.2 Очистка .....                                 | 110        |
| <b>6. ТЕХНИЧЕСКОЕ ОБСЛУЖИВАНИЕ .....</b>          | <b>110</b> |
| <b>7. ПОИСК И УСТРАНЕНИЕ НЕИСПРАВНОСТЕЙ .....</b> | <b>111</b> |
| <b>8. ХРАНЕНИЕ .....</b>                          | <b>111</b> |
| <b>9. УТИЛИЗАЦИЯ .....</b>                        | <b>111</b> |
| <b>ПРИЛОЖЕНИЕ 1. ХАРАКТЕРИСТИКИ.....</b>          | <b>113</b> |
| <b>ПРИЛОЖЕНИЕ 2. СПИСОК ДЕТАЛЕЙ.....</b>          | <b>114</b> |
| <b>ПРИЛОЖЕНИЕ 3. ПРИНЦИПАЛЬНАЯ СХЕМА .....</b>    | <b>116</b> |

RU

## ИНСТРУКЦИИ ПО ТЕХНИКЕ БЕЗОПАСНОСТИ

- Допускается использовать этот прибор только по назначению. Ни производитель, ни поставщик не несут ответственности за ущерб, причиненный неправильной эксплуатацией данного прибора.
- Пользоваться этим коммерческим продуктом должны только те лица, которые прочитали и полностью поняли данное руководство. Не допускается использование продукта детьми или лицами с ограниченными физическими, сенсорными или умственными способностями без присмотра.
- Прибор предназначен для использования только в помещении.
- Держите прибор и электрическую вилку на безопасном расстоянии от воды и других жидкостей. В случае попадания жидкости на прибор, немедленно отключите питание и обратитесь к сертифицированному специалисту для диагностики устройства. Несоблюдение инструкций может привести к поражению электрическим током или смерти.
- Не используйте прибор, если он падал или на нем присутствует какие-либо повреждения. Поручите диагностику и ремонт прибора сертифицированному специалисту.
- Не передвигайте работающий прибор и никогда не перемещайте и не переносите прибор, удерживая его за кабель питания.
- Не кладите и не передвигайте прибор на бок, вверх ногами или в наклоненном виде.
- Не вскрывайте корпус и не ремонтируйте прибор самостоятельно, если на это нет отдельных указаний технического специалиста Maxima. Это может привести к аннулированию гарантии, повреждению прибора или возникновению опасной ситуации.
- Не используйте никаких устройств или аксессуаров, которые не поставлялись вместе с прибором или не предназначены для работы с ним.
- Никогда не приближайте руки или другие части тела к движущимся частям работающего прибора и всегда будьте бдительны при работе с прибором.



- Не вставляйте предметы в корпус или отверстия прибора.
- Храните всю упаковку вдали от детей и утилизируйте ее в соответствии с местными и национальными правилами.
- Избегайте перегрузки прибора.
- Электропроводка должна соответствовать местным нормам.
- Выключайте прибор, прежде чем вынуть вилку из розетки.
- Всегда отключайте электропитание, когда прибор не используется. Когда вынимаете вилку из розетки, всегда тяните за саму вилку, а не за кабель.
- Не прикасайтесь к вилке электропитания влажными или мокрыми руками.
- Располагайте кабель питания подальше от рабочей зоны прибора и не накрывайте его. Следите за тем, чтобы кабель питания не соприкасался с горячими или острыми предметами, и держите его на безопасном расстоянии от открытого огня.
- Обратите внимание, что пока вилка находится в розетке, прибор подключен к электрической сети.

RU

## ПРЕДУПРЕЖДАЮЩИЕ ЗНАКИ



- Храните изделие при температуре 10–30 °С
- Избегайте установки изделия под прямыми лучами солнца
- Изделие предназначено для использования в помещении
- Основная изоляция: соединение требует заземления
- Утилизация изделия в соответствии с местными правилами утилизации отходов
- Изделие соответствует требованиям CE

# 1. ПРЕДИСЛОВИЕ

## 1.1 Введение

Благодарим Вас за приобретение этого изделия в компании Maxima. Чтобы обеспечить собственную безопасность и получить максимальную пользу от приобретения изделия, прежде чем устанавливать или пользоваться прибором внимательно прочитайте инструкцию. Данное руководство должно быть всегда под рукой и храниться рядом с прибором.

Вся продукция Maxima сертифицирована по стандарту CE. Таким образом, наша продукция отвечает требованиям законодательства в отношении здоровья, техники безопасности и воздействия на окружающую среду, установленным Европейской Комиссией. Кроме того, все изделия тщательно тестируются перед отправкой с целью обеспечения гарантии их качества и безопасности.

## 1.2 Общая информация

Получить послепродажную поддержку можно на странице обслуживания клиентов: [www.maxima.com/en/service](http://www.maxima.com/en/service). Руководства пользователя опубликованы на нашем веб-сайте и их можно загрузить на свое устройство в электронном виде. Если руководство для Вашего продукта недоступно, обратитесь в Службу поддержки клиентов. Для получения дополнительной информации посетите наш веб-сайт: [www.maxima.com](http://www.maxima.com)

## 1.3 Гарантия

Мы предлагаем гарантию длительностью 12 месяцев, начиная с даты покупки, указанной в счете. По гарантии мы поставим Вам дополнительные запасные части в случае дефектов материала, производственных дефектов или других проблем с качеством изделия.

Гарантия не распространяется на следующее:

- повреждения, связанные с неправильной эксплуатацией изделия;
- повреждения, связанные с использованием деталей, которые не входили в оригинальную комплектацию изделия;
- повреждения, вызванные транспортировкой в другое место после осуществления доставки или связанные с неправильной установкой и подключением изделия;
- повреждения компонентов, вызванные неправильным подключением к электросети или водопроводу;
- повреждения в результате разборки и/или внесения изменений в оригинальный прибор без разрешения;
- повреждения в результате неправильного использования, плохой очистки или ненадлежащего обслуживания;
- повреждения в результате пожара, обрушения здания, удара молнии, наводнения, скачков напряжения или воздействия вредителей;
- не прочтение или несоблюдение руководства пользователя;
- расходные материалы и детали, подверженные износу;
- в случае изменения или отсутствия счета.

## 2. ИНФОРМАЦИЯ О ПРОДУКТЕ

### 2.1 Назначение

Данным прибором можно пользоваться только в целях, для которых он был разработан и предназначен. Производитель и поставщик не несут ответственности за любой ущерб, вызванный неправильной эксплуатацией прибора и его использованием не по назначению.

Пользоваться этим коммерческим продуктом должны только обученные специалисты, которые прочитали и поняли данное руководство. Не допускается использование продукта детьми и лицами с ограниченными возможностями без присмотра.

### 2.2 Спецификации

| MAXIMA PLANETARY MIXER 7L |                          |               |                          |                  |                      |                 |
|---------------------------|--------------------------|---------------|--------------------------|------------------|----------------------|-----------------|
| АРТИКУЛ                   | РАЗМЕРЫ<br>(см)          | МАССА<br>(кг) | ВХОДНАЯ                  | МОЩНОСТЬ<br>(Вт) | СКОРОСТЬ<br>(ОБ/МИН) | ЕМКОСТЬ<br>ЧАШИ |
| 09300151                  | W24,0 x D42,5 x<br>H42,5 | 17            | 220V / 50Hz /<br>1 Phase | 350              | 100 - 938            | 6,5 Litres      |
| 09300152                  |                          |               |                          |                  |                      |                 |
| 09300153                  |                          |               |                          |                  |                      |                 |
| 09300154                  |                          |               |                          |                  |                      |                 |
| 09360750                  |                          |               |                          |                  |                      |                 |
| 09360755                  |                          |               |                          |                  |                      |                 |
| 09360760                  |                          |               |                          |                  |                      |                 |
| 09360765                  |                          |               |                          |                  |                      |                 |
| 09360770                  |                          |               |                          |                  |                      |                 |
| 09360775                  |                          |               |                          |                  |                      |                 |
| 09360780                  |                          |               |                          |                  |                      |                 |
| 09360785                  |                          |               |                          |                  |                      |                 |
| 09360790                  |                          |               |                          |                  |                      |                 |

RU

### 2.3 Функции

Продукты компании Maxima обладают широким функционалом. Подробнее о них Вы можете прочитать в Приложении 1.

### 2.4 Перечень деталей

Полный перечень деталей данного прибора приведен в Приложении 2.

## 3. ТРАНСПОРТИРОВКА

### 3.1 Транспортировка и обращение

Поднимать это устройство всегда должны не менее двух человек. Помните, что поднимать тяжелые грузы необходимо всегда с помощью мышц ног, а не спины. Никогда не поднимайте и не перемещайте предметы, слишком тяжелые для вас. При необходимости обратитесь за помощью или воспользуйтесь соответствующим оборудованием.

### 3.2 Упаковка

Распакуйте и осмотрите свою покупку сразу после получения. Если вы обнаружите какие-либо скрытые дефекты или повреждения товара, немедленно свяжитесь с Вашим поставщиком. Сохраните всю упаковку на случай, если прибор необходимо будет вернуть или осмотреть курьеру.

### 3.3 Перед началом использования

Удалите защитную пленку с поверхностей и тщательно очистите прибор и принадлежности перед началом эксплуатации (см. раздел 6 «Техническое обслуживание»).

## 4. НАЧАЛЬНАЯ УСТАНОВКА

### 4.1 Подключение и соединение

Если Ваш прибор поставляется с заводской формованной вилкой, то Вы можете подключить его к стандартной электрической розетке. Убедитесь в совместимости напряжения прибора и розетки.

Если Ваш прибор поставляется не с заводской формованной вилкой, то его подключение к электросети должен осуществлять сертифицированный электрик.

Принципиальная схема приведена в Приложении 3.

### 4.2 Размещение

Устройство необходимо разместить на устойчивой плоской поверхности. Выберите поверхность, на которую не попадают прямые солнечные лучи, вдали от источников тепла, таких как плита, духовой шкаф или радиатор.

При размещении устройства поставьте его на расстоянии 10 см (4 дюйма) от стены или других объектов для обеспечения вентиляции и удобства использования.

Разместите устройство так, чтобы иметь постоянный доступ к вилке. Всегда подключайте кабель питания к совместимой розетке с заземлением.

## 5. ПРИНЦИП РАБОТЫ

### 5.1 Как пользоваться устройством

- С помощью рычага, расположенного на боковой стороне прибора, ослабьте и отведите вверх головку мотора.
- Добавьте ингредиенты в чашу для смешивания или поверните чашу для смешивания, чтобы полностью извлечь из нее содержимое. После этого убедитесь, что чаша для смешивания возвращена на место и зафиксирована.
- i** При желании прозрачную защитную крышку можно снять. Однако рекомендуется всегда пользоваться прибором с установленной защитной крышкой.
- Установите нужную насадку: венчик, крюк для теста или лопатка для перемешивания.
- Когда чаша и насадка установлены, опустите головку мотора и, затянув рычаг, зафиксируйте ее. Если головка мотора не будет должным образом опущена, сработает предохранитель, и прибор работать не будет.
- Установите скорость на регуляторе и нажмите кнопку пуска, чтобы включить прибор.
- ⚠** Начинайте смешивание всегда на низкой скорости, затем постепенно, по мере необходимости увеличивайте скорость. Скорость можно регулировать во время работы прибора.
- Если Вы заметили, что прибор с трудом перемешивает на выбранной скорости, снизьте скорость или уменьшите количество продукта.
- i** Не оставляйте прибор работать непрерывно более 30 минут и полностью останавливайте его, по крайней мере, на 15 минут между циклами перемешивания.
- ⚠** Прибор оснащен защитой двигателя от перегрузки. При срабатывании защиты прибор автоматически выключается, и перед возобновлением работы устройству необходимо дать остыть в течение 60 минут (см. таблицу ниже). После остывания машины можно перезапустить ее, нажав кнопку сброса на задней панели.
- i** На любые повреждения, вызванные перегрузкой двигателя, гарантия не распространяется.
- По окончании работы уменьшите скорость перемешивания до самой низкой и выключите прибор.
- Тщательно очищайте прибор после каждого использования.
- Если вы не планируете пользоваться устройством длительное время, всегда отключайте электропитание.

RU

## 5.2 Очистка

- Регулярно проверяйте и очищайте устройство, его части и приспособления.
- Всегда выключайте устройство и отключайте его от электросети и газообеспечения перед очисткой или ремонтом.
- Никогда не используйте агрессивные или абразивные чистящие средства. Не используйте растворители или чистящие средства на нефтяной основе. Некоторые чистящие средства могут оставлять вредные побочные продукты и наносить ущерб устройству. Вместо них используйте мягкие, безопасные чистящие средства.
- Не используйте металлическую мочалку или заостренные предметы для чистки, поскольку они могут повредить прибор.
- Никогда не мойте прибор из шланга и не погружайте в воду или другие жидкости. Вместо этого протирайте корпус влажной тряпкой. Не используйте пароочиститель для чистки прибора.
- Ни в коем случае не допускайте намокания кабеля питания или вилки.
- Чаша предназначена для мытья в посудомоечной машине.

## 6. ТЕХНИЧЕСКОЕ ОБСЛУЖИВАНИЕ

Регулярно проверяйте вилку и кабель питания на предмет повреждений. При обнаружении каких-либо повреждений не пользуйтесь устройством. Передайте устройство сертифицированному инженеру-электрику для проведения ремонта.

| ПЕРИОДИЧНОСТЬ | ДЕЙСТВИЕ              | ОПИСАНИЕ   |
|---------------|-----------------------|--|
| Ежедневно     | Очистка и дезинфекция | После каждого использования тщательно очищайте прибор и принадлежности мягкой тканью и моющим средством, совместимым с пищевыми продуктами |
| Еженедельно   | Очистка поверхности   | Рекомендуется протирать устройство снаружи не реже раза в неделю   |
| Ежегодно      | Смазка шестерней      | Снимите верхнюю крышку головки двигателя и смажьте шестерни  |

## 7. ПОИСК И УСТРАНЕНИЕ НЕИСПРАВНОСТЕЙ

| НЕИСПРАВНОСТЬ                          | ВЕРОЯТНАЯ ПРИЧИНА                                     | ВОЗМОЖНОЕ РЕШЕНИЕ                                     |
|--|---|---|
| Прибор не работает                     | Прибор выключен                                       | Включите прибор                                       |
|  | Отсутствует питание                                   | Проверьте источник питания, подключите кабель питания |
|  | Неверное напряжение                                   | Используйте совместимый источник питания              |
|  | Сработала защита от перегрузки                        | Нажмите на черную кнопку на задней стороне машины     |
| Необычный шум                          | Шестерни повреждены или недостаточно смазаны          | Замените поврежденную деталь и/или смажьте шестерни   |
|  | Слишком большая нагрузка                              | Понизьте нагрузку                                     |
|  | Принадлежность или чаша не закреплены должным образом | Убедитесь, что детали установлены правильно           |
| Прибор перестал работать               | Сработала защита от перегрузки                        | Подождите 15 минут и сбросьте защиту от перегрузки    |
| Недостаточно эффективное перемешивание | Неправильная настройка скорости                       | Измените скорость                                     |
|  | Слишком большая нагрузка                              | Понизьте нагрузку                                     |

RU

## 8. ХРАНЕНИЕ

Сверните кабель питания и храните его в безопасном месте. Прежде чем убрать прибор на хранение убедитесь, что он тщательно вымыт. Храните в сухом и прохладном месте.

## 9. УТИЛИЗАЦИЯ

Утилизацию данного прибора проводите в соответствии с местными и национальными нормами. Также важно правильно утилизировать любые сопутствующие материалы. Данный прибор может содержать упаковку и принадлежности, которые следует сортировать и утилизировать отдельно. Их не следует считать смешанными бытовыми отходами.

**Переработка:** Утилизируя отходы надлежащим образом, Вы снижаете вредное воздействие на окружающую среду, которое может быть вызвано неправильным обращением с отходами.

**Упаковка:** Упаковка изготовлена из материалов, которые подлежат утилизации через местные пункты приема вторсырья.

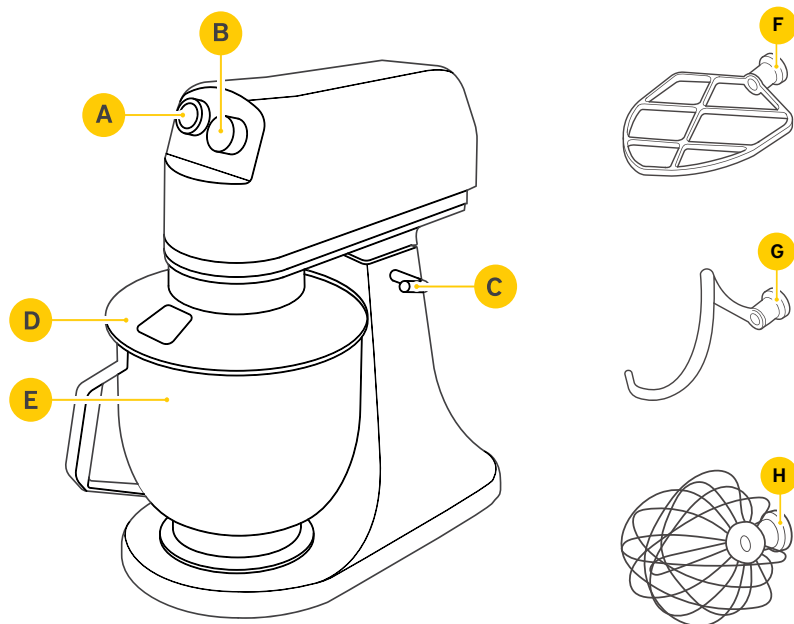
**Батареи:** Если в приборе установлена батарея, она может содержать токсичные вещества и представлять опасность для окружающей среды. Ответственно утилизируйте использованным или перезаряжаемым батареям через местные пункты приема аккумуляторных батарей.

**Электроника:** Если данный прибор содержит электронные детали, пожалуйста, утилизируйте их в пункте сбора отходов в пункт приема вторсырья для электронного оборудования.





## APPENDIX 1: FEATURES



**A** On / Off Button

**B** Speed selection switch

**C** Fixation knob

**D** Plastic safety guard

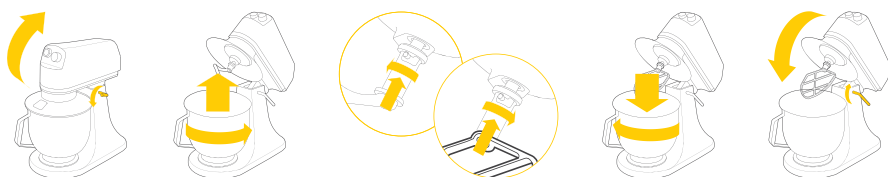
**E** Mixing bowl

**F** Flat beater

**G** Dough hook

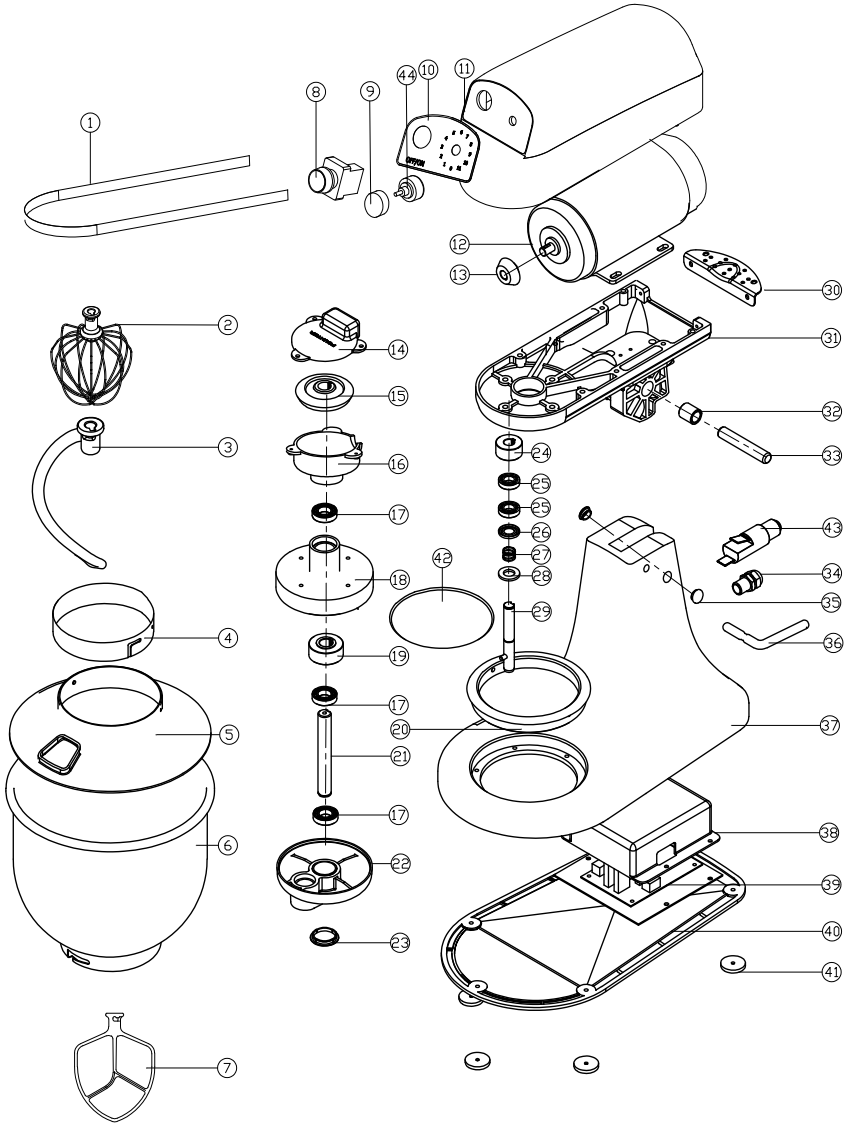
**H** Mixing whisk

### ILLUSTRATION: ACCESSORY INSTALLATION



# APPENDIX 2: SPARE PARTS

## Exploded view - All models



## APPENDIX 2: SPARE PARTS

### Spare parts list - All models

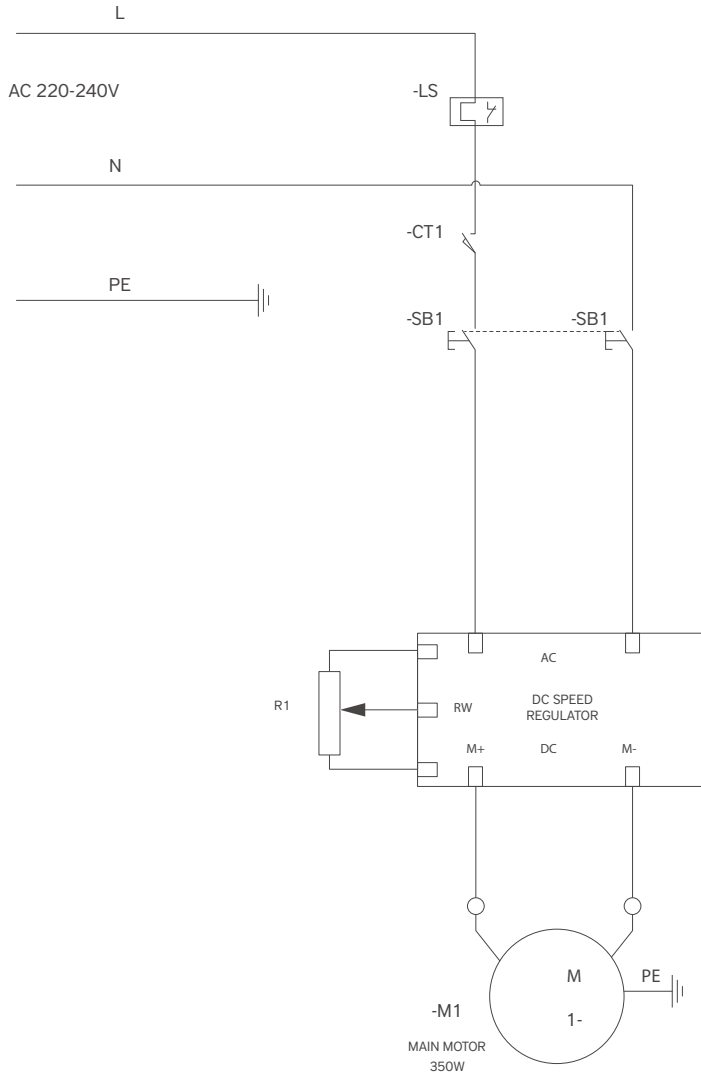
| #  | ART. CODE | DESCRIPTION                 |
|----|-----------|-----------------------------|
| 1  | 09302550  | LONG LABEL                  |
| 2  | 09302551  | WIRE WHIP                   |
| 3  | 09302552  | DOUGH HOOK                  |
| 4  | 09302549  | COVER RING - CHROME         |
| 5  | 09302554  | SAFETY GUARD                |
| 6  | 09302555  | BOWL WITH HANDLE            |
| 7  | 09302556  | FLAT BEATER                 |
| 8  | 09302557  | ON/OFF SWITCH               |
| 9  | 09302558  | SPEED SELECTION KNOB        |
| 10 | 09302559  | LABEL FOR CONTROL PANEL     |
| 11 | 09302497  | TOP COVER - BLACK           |
| 11 | 09302560  | TOP COVER - WHITE           |
| 11 | 09302569  | TOP COVER - SILVER          |
| 11 | 09302574  | TOP COVER - RED             |
| 11 | 09302582  | TOP COVER - GOLD            |
| 11 | 09302595  | TOP COVER - PINK            |
| 11 | 09302596  | TOP COVER - GREEN           |
| 11 | 09302597  | TOP COVER - BLUE            |
| 11 | 09302617  | TOP COVER - LILAC           |
| 11 | 09302618  | TOP COVER - STEEL BLUE MATT |
| 11 | 09302619  | TOP COVER - IVORY           |
| 11 | 09302622  | TOP COVER- BLACK MATT       |
| 11 | 09302625  | TOP COVER - STEEL BLUE      |
| 12 | 09302561  | MOTOR 350W/220V             |
| 13 | 09302562  | SMALL SPIRAL BEVEL GEAR     |
| 14 | 09302563  | UPPER COVER OF GEAR         |
| 15 | 09302599  | METAL GEAR                  |
| 16 | 09302565  | UNDER COVER OF GEAR         |

| #  | ART. CODE | DESCRIPTION                 |
|----|-----------|-----------------------------|
| 17 | 09302566  | BEARING 61902               |
| 18 | 09302598  | NYLON (WHITE) INNER GEAR    |
| 19 | 09302568  | MAIN GEAR                   |
| 20 | 09302518  | BOWL SEAT                   |
| 21 | 09302570  | MAIN AXLE OF SHAFT          |
| 22 | 09302571  | OPERATION FRAME             |
| 23 | 09302572  | OPERATION FRAME COVER       |
| 24 | 09302573  | PLANETARY GEAR (METAL)      |
| 25 | 09302521  | BEARING 6901-Z              |
| 26 | 09302575  | OPERATION FRAME PLASTIC MAT |
| 27 | 09302576  | SPRING                      |
| 28 | 09302577  | FLAT WASHER                 |
| 29 | 09302578  | PLANET SHAFT                |
| 30 | 09302579  | BAFFLE                      |
| 31 | 09302580  | ROTATING BASE               |
| 32 | 09302531  | SHAFT SET                   |
| 33 | 09302532  | ROTATING SHAFT              |
| 34 | 09302536  | WATERPROOF JOINT            |
| 35 | 09302540  | ROTATING SHAFT COVER        |
| 36 | 09302585  | HANDLE                      |
| 37 | 09302586  | BASE                        |
| 38 | 09302587  | PCB BOX                     |
| 39 | 09302588  | PCB                         |
| 40 | 09302589  | TOE-BOARD                   |
| 41 | 09302541  | RUBBER MAT/FEET             |
| 42 | 09302591  | OVERLOAD SWITCH             |
| 43 | 09302590  | BOWL PLASTIC PLATE          |
| 44 | 09302581  | SPEED CONTROLLER            |

For parts mentioned in the drawing that are not included on this list, please contact Maxima or your supplier.

## APPENDIX 3: CIRCUIT DIAGRAM

### Circuit diagram - All models







**TECHNICAL DEPARTMENT & WAREHOUSE**

NIJVERHEIDSWEG 23A/D - 3641 RP MIJDRECHT - THE NETHERLANDS

☎ +31 (0) 297 253 969

✉ [TECHNICAL@MAXIMA.COM](mailto:TECHNICAL@MAXIMA.COM)