








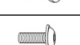




# MILTON & OLDBROOK

Modelname: MILAN- Itemnr: MIFU000034

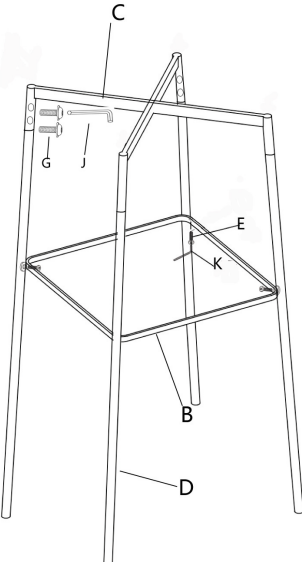
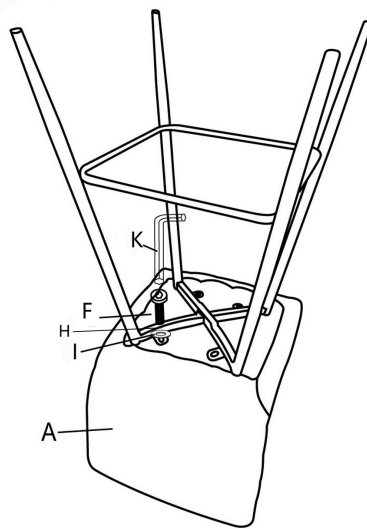
## INSTRUCTIONS

Thank you for purchasing this quality product. Be sure to check all packing material carefully for small parts that may have come loose inside the carton during shipment.

### ASSEMBLY INSTRUCTION

	NO.	PARTS	SIZE	QTY
	A			1PC
	B			1PC
	C			1PC
	D			4PCS
	E		M6x25mm	4PCS
	F		M6x20mm	4PCS
	G		M6x15mm	8PCS
	H		M6	4PCS
	I		M6	4PCS
	J		M6	1PC
	K		M4	1PC

	
---	--



FR

Pensez à  
donner ou recycler.



Association

ou



Magasin

ou



Déchèterie

<https://quefairedemesdechets.fr>