



**Instruction manual
Manuel d'utilisation
Gebrauchsanweisung
Gebruiksaanwijzing
Manual de Usuario
Manuale d'uso**



KOL6812

**PORTABLE AIR CONDITIONER
CLIMATISEUR MOBILE
MOBILE KLIMAANLAGE
DRAAGBARE AIRCONDITIONER
AIRE ACONDICIONADO
PORTATIL CONDIZIONATORE**



ENGLISH

SAFETY INSTRUCTIONS

Thank you very much for selecting this new model of Portable Air Conditioner, please read this Use and Care Manual carefully before installing and using this appliance. Please keep this Use and Care Manual properly for future reference.

The refrigerant used in portable air conditioner is the environmentally friendly hydrocarbon R290. This refrigerant is odorless, and compared to the alternative refrigerant, the R290 is an ozone-free refrigerant.

Please read the instructions before use and repair.

The drawings provided in this manual may not be the same as the physical objects. Please refer to the physical objects.

WARNING

- Do not use means to accelerate the defrosting process or to clean, other than those recommended by the manufacturer.
- The appliance shall be stored in a room without continuously operating ignition sources (for example: open flames, an operating gas appliance or an operating electric heater.)
- Do not pierce or burn.
- Be aware that refrigerants may not contain an odour.
- Appliance shall be installed, operated and stored in a room with a floor area larger than 12.5 m².
- Keep any required ventilation openings clear of obstruction.
- Servicing shall be performed only as recommended by the manufacturer.
- The appliance shall be stored in a well-ventilated area where the room size corresponds to the room area as specified for operation.
- Any person who is involved with working on or breaking into a refrigerant circuit should hold a current valid certificate from an industry-accredited assessment authority, which authorises their competence to handle refrigerants safely in accordance with an industry

recognised assessment specification.

- Servicing shall only be performed as recommended by the equipment manufacturer. Maintenance and repair requiring the assistance of other skilled personnel shall be carried out under the supervision of the person competent in the use of flammable refrigerants.
- All working procedure that affects safety means shall only be carried by competent persons.
- Be careful not to bump when moving to avoid leakage in the refrigeration line.



Flammable material.



Refer operators
manual



Read technical
manual



Read operators
manual

This appliance contains R290/Propane a flammable refrigerant

The maximum dosage of refrigerant is 260g.

NOTES:

- The air conditioning is only suitable for indoor use, and is not suitable for other applications.
- Follow local grid interconnection rules while installing the air conditioning and ensure that it is properly grounded. If you have any question on electrical installation, follow the instructions of the manufacturer, and if necessary, ask a professional electrician to install it.
- Place the machine in a flat and dry place and keep a distance of above 50cm between the machine and the surrounding objects or walls.
- After the air conditioning is installed, ensure that the power plug is intact and firmly plugged into the power outlet, and place the power cord orderly to prevent

someone from being tripped or pulling out the plug.

- Do not put any object into the air inlet and outlet of the air conditioning. Keep the air inlet and outlet free from obstructions.
- When drainage pipes are installed, ensure that the drainage pipes are properly connected, and are not distorted or bended.
- While adjusting the upper and lower wind-guide strips of the air outlet, pluck it with hands gently to avoid damaging wind-guide strips.
- When moving the machine, make sure that it is in an upright position.
- The machine should stay away from gasoline, flammable gas, stoves and other heat sources.
- Don't disassemble, overhaul and modify the machine arbitrarily, otherwise it will cause a machine malfunction or even bring harm to persons and properties. To avoid danger, if a machine failure occurs, ask the manufacturer or professionals to repair it.
- Do not install and use the air conditioning in the bathroom or other humid environments.
- Do not pull the plug to turn off the machine.
- Do not place cups or other objects on the body to prevent water or other liquids from spilling into the air conditioning.
- Do not use insecticide sprays or other flammable substances near the air conditioning.
- Do not wipe or wash the air conditioning with chemical solvents such as gasoline and alcohol. When you need to clean the air conditioning, you must disconnect the power supply, and clean it with a half-wet soft cloth. If the machine is really dirty, scrub with a mild detergent.
- This device is not intended for use by persons with

reduced capacity on the physical, mental or sensory or lack of experience and knowledge (including children), unless they have had instructions to use the appliance by a person responsible for their safety use of the appliance and understand the hazards involved. Children should be supervised to ensure they do not play with the device.

- Do not operate this appliance if it has a damaged cord or plug, if it is not working properly or if it has been damaged or dropped. If the supply cord is damaged, it must be replaced by the manufacturer or its service agent or a similarly qualified person in order to avoid a hazard.
- The appliance shall be installed in accordance with national wiring regulations.
- The device must not be used if it has been dropped, it obvious signs of damage are visible or if it has leaks.
- This appliance may be used by children of at least 8 years of age, as long as they are supervised and have been given instructions about using the appliance safely and are fully aware of the dangers involved.
- Cleaning and maintenance should not be carried out by children unless they are at least 8 years of age and are supervised by an adult.
- Keep the appliance and its power cord out of reach of children under 8 years of age.
- When using electrical equipment, safety precautions must always be taken to prevent the risk of fire, electric shock and/or injury in the event of misuse.
- Make sure that the voltage rating on the typeplate corresponds to your main voltage of your installation. If this is not the case, contact the dealer and do not connect the unit

- Never leave the unit unattended while in operation.
- Please keep this document at hand and give it to the future owner in case of transfer of your device
- The device must not be used if it has been dropped, it obvious signs of damage are visible or if it has leaks.

TRANSPORTATION, MARKING AND STORAGE FOR UNITS

1. Transport of equipment containing flammable refrigerants
Compliance with the transport regulations
2. Marking of equipment using signs
Compliance with local regulations
3. Disposal of equipment using flammable refrigerants
Compliance with national regulations
4. Storage of equipment/appliances
The storage of equipment should be in accordance with the manufacturer's instructions.
5. Storage of packed (unsold) equipment
Storage package protection should be constructed such that mechanical damage to the equipment inside the package will not cause a leak of the refrigerant charge.
The maximum number of pieces of equipment permitted to be stored together will be determined by local regulations.
The appliance shall be stored so as to prevent mechanical damage from occurring
Remark:

The best operating ambient temperature for cooling is 17-35 ° C, and the optimum ambient temperature for heating is 8-25 ° C.

Fuse Parameter: ϕ 5.0x20mm 3.15A,250Vac.

Appliance is filled with flammable gas R290, and the maximum charge of refrigerant is 260g.

GWP value of R290refrigerant is 3.

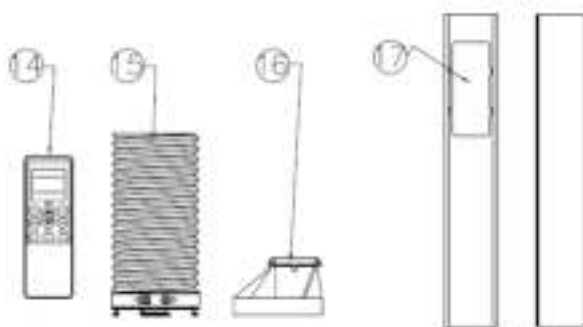
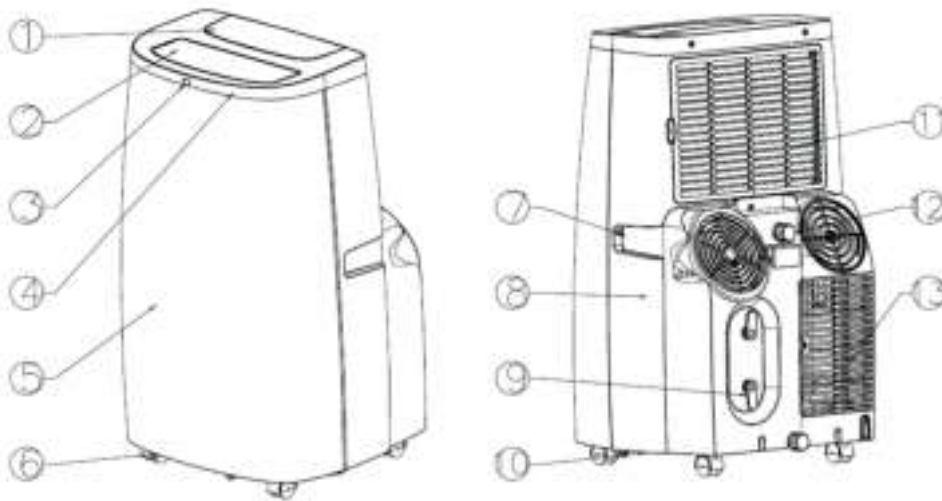
Any repairs you need, contact the nearest authorized Service Centre and strictly follow manufacturer's instruction only.

FEATURES AND IDENTIFICATION OF PARTS

1. Features

- New appearance with compact design, more luxury and upscale.
- Outlet louver swing automatically and wind direction up to consumer needs.
- Beautiful and simple appearance, humanized design for remote control storage, which can be placed in storage bracket at the back of the unit body.
- Simple operation, LED digital display control panel and high-end LCD remote control.
- Winding pillar and universal socket can protect power cord better.
- 24-hour Timer function, unique on/off reminding music.
- 3-minute re-start delay protection to compressor and other multiple protection functions.
- Unique exhaust hose and fasteners, convenient installation.

2. Identification of Parts

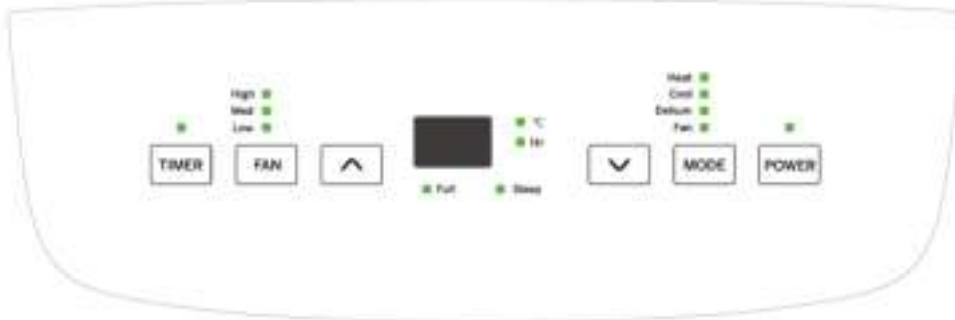


- | | | | |
|----|---------------------------------|-----|----------------------------------|
| 1. | Control panel | 10. | Chassis |
| 2. | Horizontal louver | 11. | Upper filter assembly |
| 3. | Remote control receiving window | 12. | Drain cover and stopper |
| 4. | Top panel | 13. | Lower filter assembly |
| 5. | Front shell | 14. | Remote control |
| 6. | Universal wheels | 15. | Round connector and exhaust hose |
| 7. | Handle | 16. | Adapter of exhaust hose |
| 8. | Back shell | 17. | Window kits |
| 9. | Winding pillar | | |

OPERATIONS AND SETTINGS

1. Control Panel

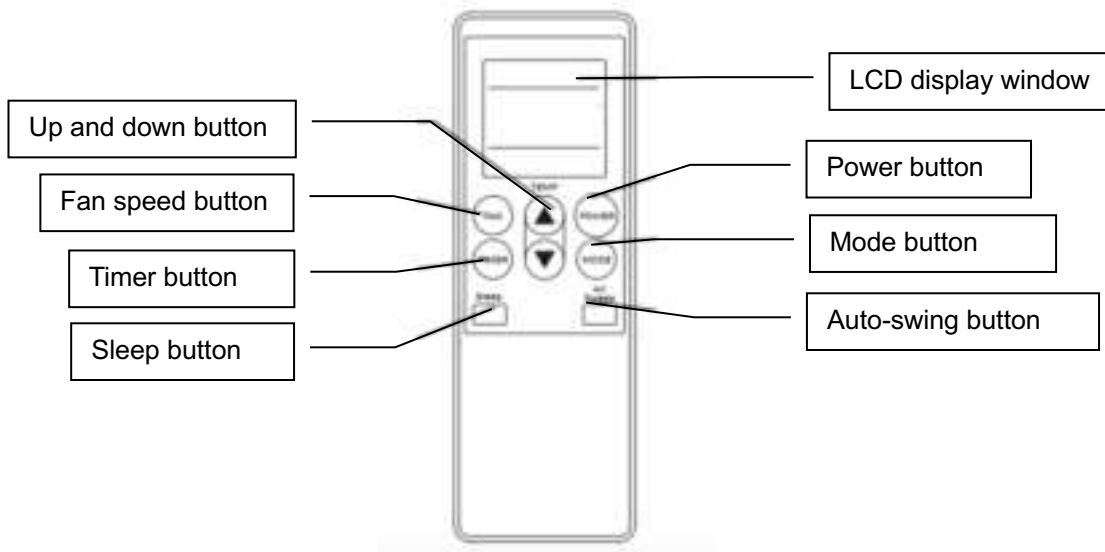
This section explains proper mobile air conditioner operation.



2. Control Panel Operation

- A. Power button: Press the power button, the power indicator lights up in green; when the power is on, press the power button, the power indicator light is off (or red).
- B. Mode button: Touch this key to switch and select unit working mode you want, all modes turn as COOL – DEHUM – FAN – HEAT (**cooling only unit has no HEAT mode**), the indicator will light up accordingly.
- C. Fan button: Press this button to change fan speed to High, Medium or Low.
- D. Up button: Press the up key to adjust the set temperature or timing up.
- E. Down button: Press the down key to adjust the set temperature or timing up.
- F. Timer button: Press the timer button to set the timing, query timing, and cancel the timing.
- G. "Up" + "Down" button: Press this group of composite keys at the same time to switch the display temperature (Fahrenheit / Celsius).
- H. "Timer" + "Up" button: Press this group of composite keys at the same time to select sleep mode.
- I. "Timer" + "Fan" button: Press this group of composite buttons at the same time to turn the swing function on or off.

3. Remote Control Operation



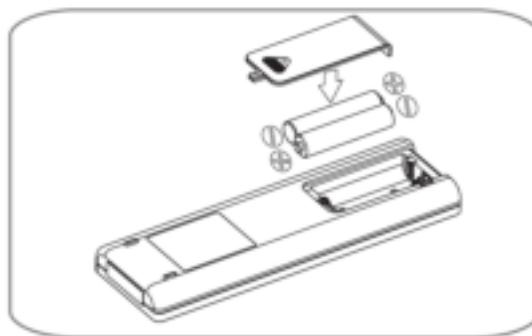
- 1) Power: Press this button to start the unit when it is energized or stop the unit when it is in operation.
- 2) Mode: Press this button to select operation mode.
- 3) ▲: Press this button to increase room temperature and timer setting.
- 4) ▼: Press this button to decrease room temperature and timer setting.
- 5) Fan: Press this button to select fan speed in sequence: Low → Medium → High.
- 6) Auto-Swing: Press this button to turn on or turn off auto-swing function.
- 7) Sleep: Press this button to select or cancel sleep mode (only effective under cooling operation or energy conversation modes).
- 8) Timer: press this button to set AUTO-ON and AUTO-OFF time. Time can be adjusted between 0.5-24 hours. It jumps by 0.5 hour interval within 5 hours, and 1 hour interval over 5 hours, set time will flash 5 times on screen then confirm the setting.

Before using your remote, install the AAA batteries into remote control.

- 1) Press and glide the battery cover on the back of the remote control, then you can remove the cover.
- 2) Insert two new alkaline AAA batteries into the battery compartment, being sure to note the proper polarity.

Reattach the battery cover, making sure the locking tab clicks into place.

Be sure to note proper polarity of batteries

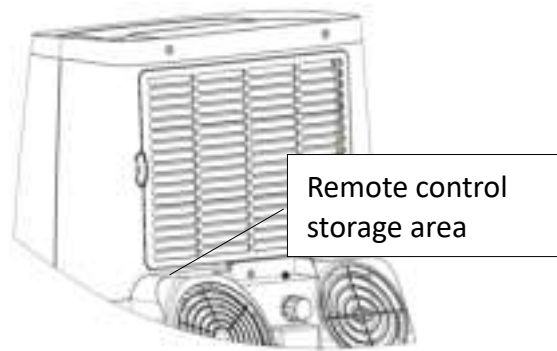


Notes:

- Use alkaline batteries only. Do not use rechargeable batteries.
- When replace batteries, always replace both batteries with new batteries, do not mix old and new batteries.
- If the air conditioner will not be used for an extended period of time, remove the batteries from the remote control.

4. Remote Control Storage

- 1) Insert remote controller into built-in compartment in left side of unit, and push it gently for closure.
- 2) Press the lower part of built-in compartment gently to open it and take out remote controller.
Note: In order to avoid losing the remote control, please put the remote control inside of the storage place when you not use it.



⚠️WARNING

If the liquid from the batteries gets onto your skin or clothes, wash it well with clean water, do not use the remote control if the batteries have any leakage.

If you eat the liquid from the batteries, brush your teeth and see doctor. The chemicals in batteries could cause burns or other health hazards.

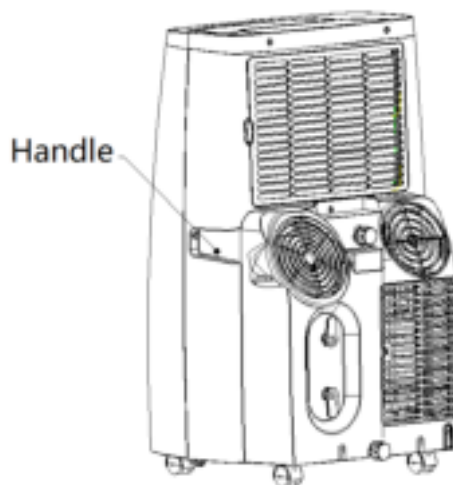
HANDLING AND TRANSPORTATION

1. Handle and move the unit

1) Hold handles on side panels to move the unit in upright position.

Note:

- Make the unit in the upright position whatever handling or moving it.
- Drain the water in the unit completely to prevent water leakage and wet the floor or carpet before handling or moving the unit.
- Take out the remote control from the storage area and keep it.



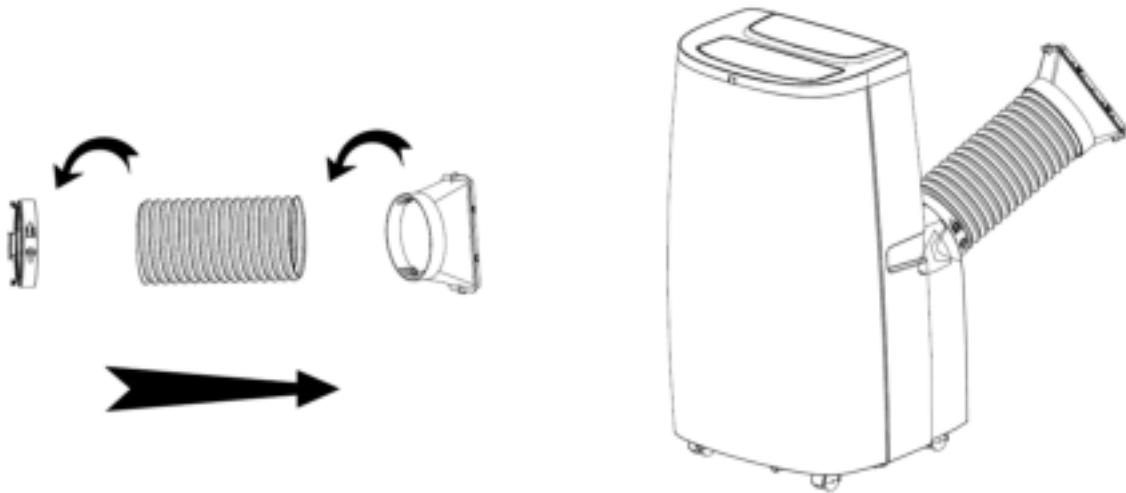
INSTALLATION & ADJUSTMENT

1. Installation

Notes:

- Keep this mobile air-conditioner in upright position at least 2 hours before first installation.
- This air-conditioner may be moved indoor conveniently; keep the unit in upright position while moving it. The air-conditioner shall be placed at flat surface.
- Do not install or operate this air-conditioner in bathroom or other wet environments.

1) Installation of exhaust hose assembly and its adapter.



- A. Take out the exhaust hose and its connector and adapter, to remove the plastic bag.
- B. Extend one end of exhaust hose, screw the end without slot of round connector onto it with anticlockwise direction at least 3 laps.
- C. Extend another end of exhaust hose, screw the adapter onto it with anticlockwise direction at least 3 laps.

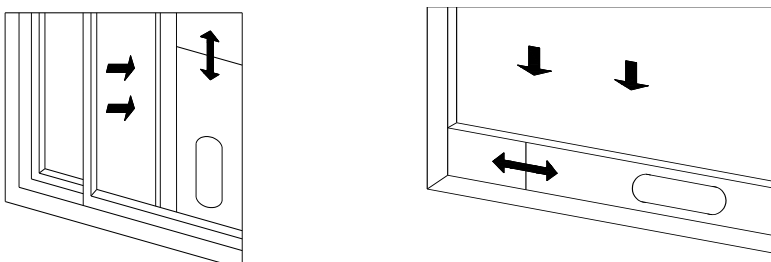
Note: Screw round connector and adapter into right position, at least 3 laps, to keep good connection of exhaust hose assembly.

2) Installation of window seal-plate

- A. Make the window half open, put the seal-plate into window, either in vertical or horizontal position.
- B. Extend seal plate parts and adjust it to the length of window, keep both ends to meet window edge, fix it with screws then.

Note:

- Keep two ends of window seal-plate to meet the window edges well, to assure seal effect.
- Turn the screw in good position.



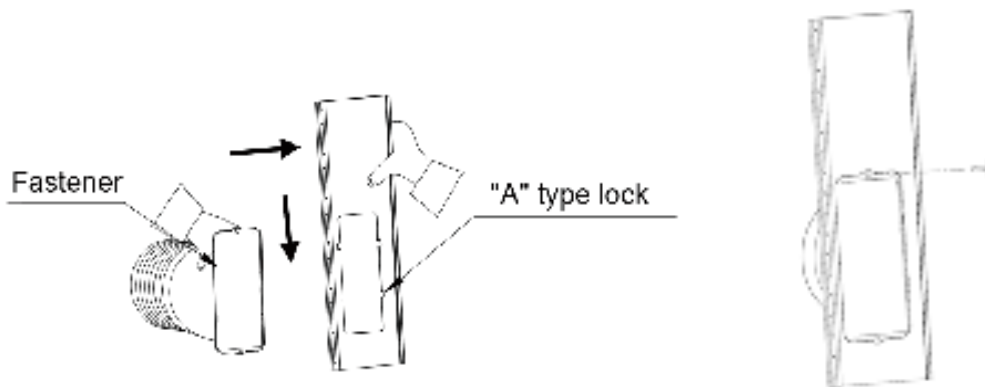
3) Installation of the unit

- A. Move the unit with the exhaust hose assembly installed in front of window and keep the unit at

least 50cm away from the walls or other objects.

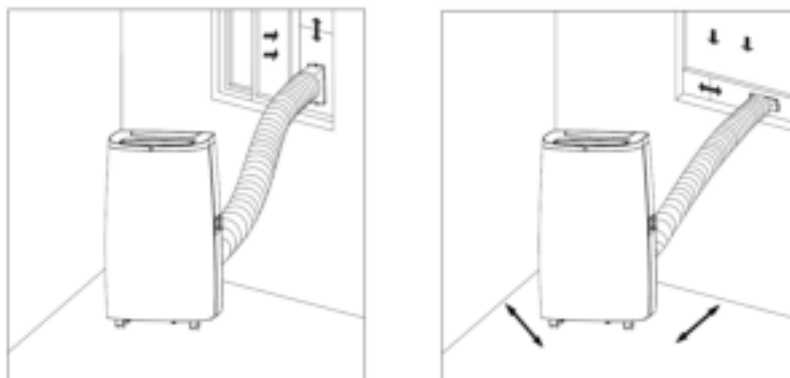


- B. Install the rectangle end of exhaust hose assembly into the corresponding rectangle hole in window seal-plate assembly, fix it with screw and close the window.



Note:

- Slide the adapter downwards and assure adapter installed in good position.
- Assure the slant panel direction to match seal-plate direction.
- Exhaust hose cannot be bent or with flexure higher than 45°, in order to keep good ventilation of exhaust hose.



Important notes:

The exhaust hose is 280mm-1500mm long and this length is determined based on the specification of the air-conditioner (s). Do not use prolonged the hose or replace it with other different hoses as this may affect the functions of the air-conditioner. The exhaust hose must be smooth or it may lead air-conditioner overheat and damage.

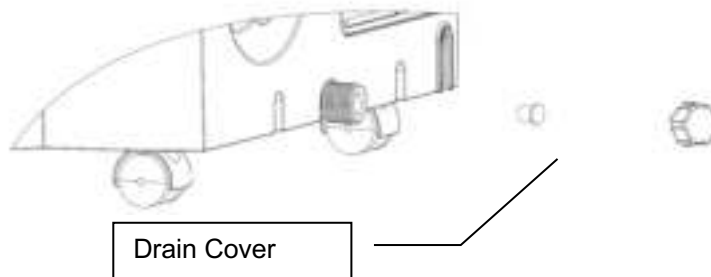
DRAINAGE INSTRUCTION

1. Manual drainage:

- 1) Once the unit shuts down upon water-full, turn off the unit and then unplug.
- 2) Put the tray below the water outlet at the back of the unit.
- 3) Screw off the drain cover, unplug the water stopper for water flow into the tray.
- 4) Plug in stopper and screw the drain cover tightly onto water outlet after drainage.

Notes:

- Protect the drain cover and water stopper properly.
- Move the unit carefully to avoid the leakage it is necessary.
- Tilt the unit slightly backwards when draining.
- Block the drain hole as soon as possible before the tray is full if it cannot hold all water in the unit to prevent the water leakage and wet the floor or carpet.
- Water stopper and drain cover must be tightly installed, to avoid new condensate to wet the floor or carpet when the unit re-starts working.

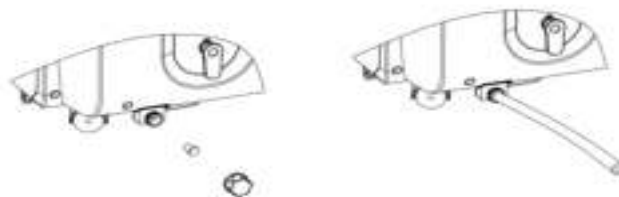


2. Continuous drainage

- 1) Screw off the drain-cover & unplug the water stopper.
- 2) Connect drain-hole with $\phi 13\text{mm}$ drain hose, as deep as possible to avoid leakage.
- 3) Pull the drain hose to bathroom or outdoor.

Notes:

- Drain hose must be installed when there's no water in the tray.
- It is suggested that not to use continuous drainage when unit is in COOL mode, to ensure enough water recycle in the unit to enhance the system cooling effects.
- Put the drain hose in an inaccessible place, not higher than drainage hole and keep drain hose straight without any flexure.
- Keep the drain cover and its stopper properly when continuous drainage is adopted.
- **Drain pipe needs to be purchased separately**



MULTIPLE PROTECTION FUNCTIONS

1. Anti-frozen protection function

Under COOL mode, when the compressor continuously runs over 10 minutes, if tube temperature is $\leq 2^{\circ}\text{C}/36^{\circ}\text{F}$ for 20 seconds, the anti-frozen protection function will be on, E4 will be shown on LCD display, compressor and water wheel motor will stop working, but upper fan remains running; If tube temperature $\geq 8^{\circ}\text{C}/46^{\circ}\text{F}$, the unit will stop anti-frozen protection and recover to the original working condition. Compressor will re-start working with 3 minutes delay for protection.

2. Water-full safety alarm and shut –off protection function

When the water volume exceeds its alarm level in chassis, warning sounds automatically and water-full icon is lighting in LCD display, you need to drain the condensate and re-start the unit.(For more information about how to drain, refer to the “Drainage Instruction” please). If the unit is not shut down manually, the unit will recover to the original operating status automatically once the water is fully drained. Or connect the power to re-start the unit again.

3. Delay protection function of compressor

This unit offers restart protection to compressor. Except that the compressor may start immediately when the unit is energized first time, there is 3-minute delay re-start protection after compressor is shut down.

MAINTENANCE AND SERVICE

Note: Be sure to turn off the unit and pull out the plug before maintain or send to service center.

1. Surface cleaning

- 1) Clean the unit surface with wet soft cloth and do not use chemical solvents such as alcohol and gasoline to avoid any damage to unit.
- 2) Clean the dirty air outlet or louvers with wet soft cloth and detergent.
- 3) Any chemical solvent is prohibited to use for unit cleaning or put such things near the unit for a long time.
- 4) Any thinner, alcohol-glazer or other similar solvents is prohibited for unit cleaning.

2. Filter cleaning

Clean the filter once every two weeks, or it would influence the unit function if filter clogged with dust.

1) How to clean filter

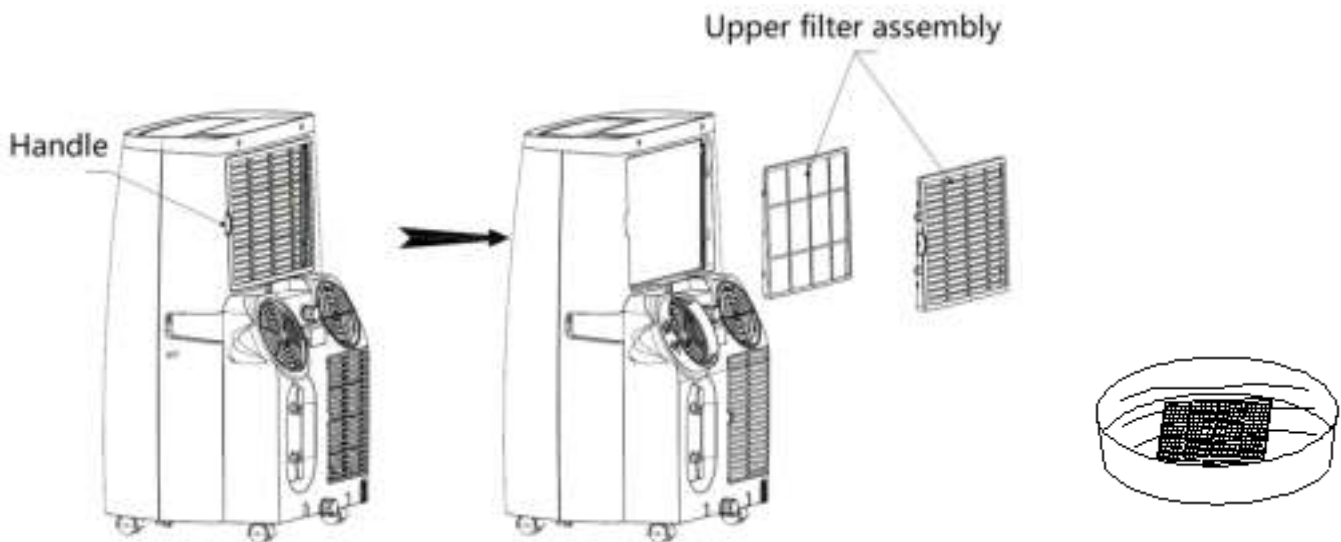
- A. Grip the filter handle and pull it out gently in correct direction.

B. Clean the dirty particles in filter by cleaner if it is necessary.

C. Immerse and wash the filter gently into warm water (about 40°C) mixed with neutral cleaner, and then rinse and dry them thoroughly in the shade.

Notes:

- Pull out the filter gently.
- Removal of filter at back panel is at priority then for the filter at side panel, to avoid any twist or damage to filter.
- Do not squash the mesh.
- Do not hit the mesh with sharp objects or brush.



3. Installation of the filter

Aim the end of the filter toward slot then push filter gently into slot.

Notes:

- Be sure to install the filter to side panel then for the filter to back panel.
- Install the filter with opposite direction of removal.
- Install the filter into place gently to avoid any damage to filter.

4. End of Season Storage

- 1) Screw off the drain cover and pull out the stopper to drain condensate water completely. (Note: the tilt angle of the

unit must be ≤ 30).

- 2) Keep unit running in fan mode for half day to dry inside of unit completely to prevent from going moldy.
- 3) Turn off the unit, pull out plug then wrap the power cord around the wire-winding pillar, insert the plug into the universal fixing hole at the back panel of the unit, install the water stopper and drain cover.
- 4) Remove the heat exhaust hose assembly, clean and keep it properly.

Notes:

- Hold the exhaust hose assembly with both hands when removal.
 - Push the fasteners aside on exhaust air outlet using your thumbs, then pull out exhaust hose assembly.
- 5) Pack the air-conditioner properly with soft plastic bag and put it in dry place with appropriate dust-proof measures, and keep the unit away from children.
 - 6) Take out the batteries from the remote control and keep it properly.

Note:

Assure the unit is stored in a dry place. All accessories of the unit shall be protected together properly.

TROUBLESHOOTING

Please check the unit and suggestions below before asking for professional service, but never dismantle or repair the unit by yourself, it may cause harm to you and your property.

If problems not listed in the table occur or recommended solutions do not work, please contact the professional service organization.

Trouble	Cause	Remedy
The unit fails to start up	Power supply failure	Connect the unit to a live socket and turn it on.
	Water-full and its icon lighting	Drain the water stored in the unit.
	Ambient temperature too low or low high	It is recommended to use this unit between 8-35°C
	The room temperature is lower than the set temperature in cooling mode or higher temperature in heating mode	Change the set temperature
Bad cooling effects	There is direct sunlight	Close the window curtain
	The doors and windows are open, the room is crowded or there are other heat sources	Close the door and window, remove other heat sources, and add new air-conditioners
	Dirty filter	Clean or replace the filter mesh
	Air inlet or air outlet clogged	Remove the obstruction
High noise level	The unit is being placed at uneven surface.	Put the unit at a flat and firm place (may reduce noise)
The compressor does not work	Initiation of overheat protection.	Wait until the temperature decrease, the unit will re-start automatically
The remote control does not work	Too long distance	Bring the remote control close to the air-conditioner and ensure airs at signal receptor on unit.
	The remote control didn't aim at signal receptor on unit.	
	The batteries have no electricity	Replace the batteries
"E1" code displays	Tube temperature sensor failure	Check the tube temperature sensor and related circuits
"E2" code displays	Room temperature sensor failure	Check the room temperature sensor and related circuits
"E4" code displays	Anti-freeze protection	Restore the functions automatically once anti-freeze protection is over.
FL Displays	Water tank in chassis is full	Drain the condensate and re-start the unit

1. Information on servicing

1) Checks to the area

Prior to beginning work on systems containing flammable refrigerants, safety checks are necessary to ensure that the risk of ignition is minimized. For repair to the refrigerating system, the following precautions shall be complied with prior to conducting work on the system.

2) Work procedure

Work shall be undertaken under a controlled procedure so as to minimize the risk of a flammable gas or vapor being present while the work is being performed.

3) General work area

All maintenance staff and others working in the local area shall be instructed on the nature of work being carried out. Work in confined spaces shall be avoided. The area around the workspace shall be sectioned off. Ensure that the conditions within the area have been made safe by control of flammable material.

4) Checking for presence of refrigerant

The area shall be checked with an appropriate refrigerant detector prior to and during work, to ensure the technician is aware of potentially flammable atmospheres. Ensure that the leak detection equipment being used is suitable for use with flammable refrigerants, i.e. non-sparking, adequately sealed or intrinsically safe.

5) Presence of fire extinguisher

If any hot work is to be conducted on the refrigeration equipment or any associated parts, appropriate fire extinguishing equipment shall be available to hand. Have a dry powder or CO₂ fire extinguisher adjacent to the charging area.

6) No ignition sources

No person carrying out work in relation to a refrigeration system which involves exposing any pipe work that contains or has contained flammable refrigerant shall use any sources of ignition in such a manner that it may lead to the risk of fire or explosion. All possible ignition sources, including cigarette smoking, should be kept sufficiently far away from the site of installation, repairing, removing and disposal, during which flammable refrigerant can possibly be released to the surrounding space. Prior to work taking place, the area around the equipment is to be surveyed to make sure that there are no flammable hazards or ignition risks. "No Smoking" signs shall be displayed.

7) Ventilated area

Ensure that the area is in the open or that it is adequately ventilated before breaking into the system or conducting any hot work. A degree of ventilation shall continue during the period that the work is carried out. The ventilation should safely disperse any released refrigerant and preferably expel it externally into the atmosphere.

8) Checks to the refrigeration equipment

Where electrical components are being changed, they shall be fit for the purpose and to the correct specification. At all times the manufacturer's maintenance and service guidelines shall be followed. If in doubt consult the manufacturer's technical department for assistance.

The following checks shall be applied to installations using flammable refrigerants:

- a. The charge size is in accordance with the room size within which the refrigerant containing parts are installed.
- b. The ventilation machinery and outlets are operating adequately and are not obstructed.
- c. If an indirect refrigerating circuit is being used, the secondary circuit shall be checked for the presence of refrigerant.
- d. Marking to the equipment continues to be visible and legible. Markings and signs that are illegible shall be corrected.
- e. Refrigeration pipe or components are installed in a position where they are unlikely to be exposed to any substance which may corrode refrigerant containing components, unless the components are constructed of materials which are inherently resistant to being corroded or are suitably protected against being so corroded.

9) Checks to electrical devices

Repair and maintenance to electrical components shall include initial safety checks and

component inspection procedures. If a fault exists that could compromise safety, then no electrical supply shall be connected to the circuit until it is satisfactorily dealt with. If the fault cannot be corrected immediately but it is necessary to continue operation, an adequate temporary solution shall be used. This shall be reported to the owner of the equipment so all parties are advised.

Initial safety checks shall include:

- a. That capacitors are discharged: this shall be done in a safe manner to avoid possibility of sparking.
- b. That there no live electrical components and wiring are exposed while charging, recovering or purging the system.
- c. That there is continuity of earth bonding.

2. Repairs to sealed components

- 1) During repairs to sealed components, all electrical supplies shall be disconnected from the equipment being worked upon prior to any removal of sealed covers, etc. If it is absolutely necessary to have an electrical supply to equipment during servicing, then a permanently operating form of leak detection shall be located at the most critical point to warn of a potentially hazardous situation.
- 2) Particular attention shall be paid to the following to ensure that by working on electrical components, the casing is not altered in such a way that the level of protection is affected. This shall include damage to cables, excessive number of connections, terminals not made to original specification, damage to seals, incorrect fitting of glands, etc. Ensure that apparatus is mounted securely. Ensure that seals or sealing materials have not degraded such that they no longer serve the purpose of preventing the ingress of flammable atmospheres.

Replacement parts shall be in accordance with the manufacturer's specifications.

NOTE: The use of silicon sealant may inhibit the effectiveness of some types of leak detection equipment. Intrinsically safe components do not have to be isolated prior to working on them.

3. Repair to intrinsically safe components

Do not apply any permanent inductive or capacitance loads to the circuit without ensuring that this will not exceed the permissible voltage and current permitted for the equipment in use.

Intrinsically safe components are the only types that can be worked on while live in the presence of a flammable atmosphere. The test apparatus shall be at the correct rating.

Replace components only with parts specified by the manufacturer. Other parts may result in the ignition of refrigerant in the atmosphere from a leak.

4. Cabling

Check that cabling will not be subject to wear, corrosion, excessive pressure, vibration, sharp edges or any other adverse environmental effects. The check shall also take into account the effects of aging or continual vibration from sources such as compressors or fans.

5. Detection of flammable refrigerants

Under no circumstances shall potential sources of ignition be used in the searching for or detection of refrigerant leaks. A halide torch (or any other detector using a naked flame) shall not be used.

6. Leak detection methods

The following leak detection methods are deemed acceptable for systems containing flammable refrigerants.

Electronic leak detectors shall be used to detect flammable refrigerants, but the sensitivity may not be adequate, or may need re-calibration. (Detection equipment shall be calibrated in a refrigerant-free area.) Ensure that the detector is not a potential source of ignition and is suitable for the refrigerant used. Leak detection equipment shall be set at a percentage of the LFL of the refrigerant and shall be calibrated to the refrigerant employed and the appropriate percentage of gas (25 % maximum) is confirmed.

Leak detection fluids are suitable for use with most refrigerants but the use of detergents containing chlorine shall be avoided as the chlorine may react with the refrigerant and corrode the copper pipe-work.

If a leak is suspected, all naked flames shall be removed/ extinguished.

If a leakage of refrigerant is found which requires brazing, all of the refrigerant shall be recovered from the system, or isolated (by means of shut off valves) in a part of the system remote from the leak. Oxygen free nitrogen (OFN) shall then be purged through the system both before and during the brazing process.

7. Removal and evacuation

When breaking into the refrigerant circuit to make repairs – or for any other purpose – conventional procedures shall be used. However, it is important that best practice is followed since flammability is a consideration. The following procedure shall be adhered to:

- 1) Remove refrigerant.
- 2) Purge the circuit with inert gas.
- 3) Evacuate.
- 4) Purge again with inert gas.
- 5) Open the circuit by cutting or brazing.

The refrigerant charge shall be recovered into the correct recovery cylinders. The system shall be “flushed” with OFN to render the unit safe. This process may need to be repeated several times. Compressed air or oxygen shall not be used for this task.

Flushing shall be achieved by breaking the vacuum in the system with OFN and continuing to fill until the working pressure is achieved, then venting to atmosphere, and finally pulling down to a vacuum. This process shall be repeated until no refrigerant is within the system. When the final OFN charge is used, the system shall be vented down to atmospheric pressure to enable work to take place. This operation is absolutely vital if brazing operations on the pipe-work are to take place. Ensure that the outlet for the vacuum pump is not close to any ignition sources and there is ventilation available.

8. Charging procedures

In addition to conventional charging procedures, the following requirements shall be followed.

- 1) Ensure that contamination of different refrigerants does not occur when using charging equipment. Hoses or lines shall be as short as possible to minimize the amount of refrigerant contained in them.
- 2) Cylinders shall be kept upright.
- 3) Ensure that the refrigeration system is earthed prior to charging the system with refrigerant.
- 4) Label the system when charging is complete (if not already).
- 5) Extreme care shall be taken not to overfill the refrigeration system.

Prior to recharging the system it shall be pressure tested with OFN. The system shall be leak tested on completion of charging but prior to commissioning. A follow up leak test shall be carried out prior to leaving the site.

9. Decommissioning

Before carrying out this procedure, it is essential that the technician is completely familiar with the equipment and all its detail. It is recommended good practice that all refrigerants are recovered safely. Prior to the task being carried out, an oil and refrigerant sample shall be taken in case analysis is required prior to re-use of reclaimed refrigerant. It is essential that electrical power is available before the task is commenced.

- 1) Become familiar with the equipment and its operation.
- 2) Isolate system electrically.
- 3) Before attempting the procedure ensure that:
 - a) Mechanical handling equipment is available, if required, for handling refrigerant cylinders.
 - b) All personal protective equipment is available and being used correctly.
 - c) The recovery process is supervised at all times by a competent person.
 - d) Recovery equipment and cylinders conform to the appropriate standards.
- 4) Pump down refrigerant system, if possible.
- 5) If a vacuum is not possible, make a manifold so that refrigerant can be removed from various parts of the system.
- 6) Make sure that cylinder is situated on the scales before recovery takes place.
- 7) Start the recovery machine and operate in accordance with manufacturer's instructions.
- 8) Do not overfill cylinders. (No more than 80 % volume liquid charge).
- 9) Do not exceed the maximum working pressure of the cylinder, even temporarily.
- 10) When the cylinders have been filled correctly and the process completed, make sure that the cylinders and the equipment are removed from site promptly and all isolation valves on the equipment are closed off.
- 11) Recovered refrigerant shall not be charged into another refrigeration system unless it has been cleaned and checked.

10. Labelling

Equipment shall be labelled stating that it has been de-commissioned and emptied of refrigerant. The label shall be dated and signed. Ensure that there are labels on the equipment stating the equipment contains flammable refrigerant.

11. Recovery

When removing refrigerant from a system, either for servicing or decommissioning, it is recommended good practice that all refrigerants are removed safely.

When transferring refrigerant into cylinders, ensure that only appropriate refrigerant recovery cylinders are employed. Ensure that the correct number of cylinders for holding the total system charge is available. All cylinders to be used are designated for the recovered refrigerant and labelled for that refrigerant (i.e. special cylinders for the recovery of refrigerant). Cylinders shall be complete with pressure relief valve and associated shut-off valves in good working order. Empty recovery cylinders are evacuated and, if possible, cooled before recovery occurs. The recovery equipment shall be in good working order with a set of instructions concerning the equipment that is at hand and shall be suitable for the recovery of flammable refrigerants.

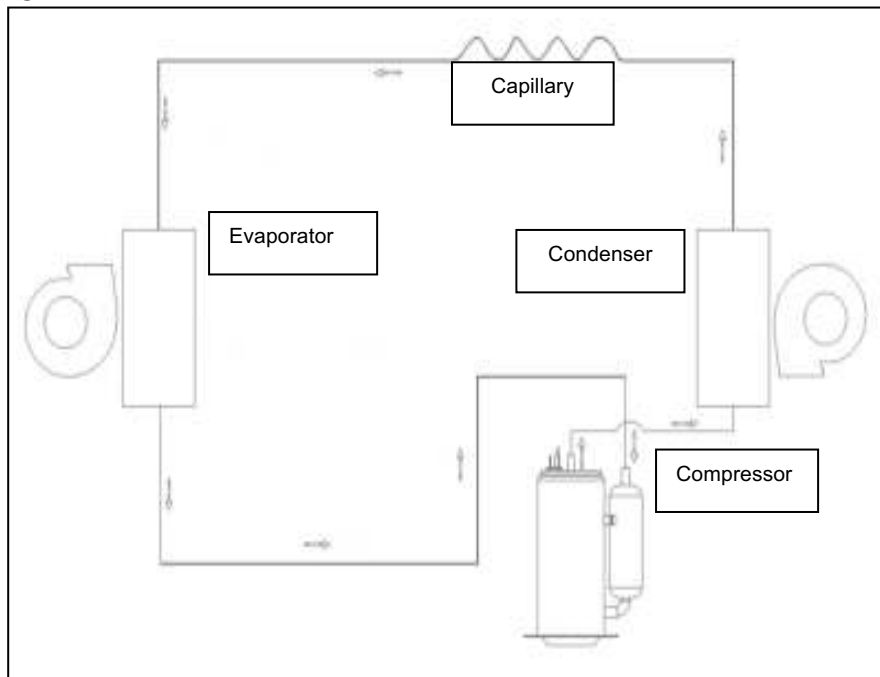
In addition, a set of calibrated weighing scales shall be available and in good working order. Hoses shall be complete with leak-free disconnect couplings and in good condition. Before using the recovery machine, check that it is in satisfactory working order, has been properly maintained and that any associated electrical components are sealed to prevent ignition in the event of a refrigerant release. Consult manufacturer if in doubt.

The recovered refrigerant shall be returned to the refrigerant supplier in the correct recovery cylinder, and the relevant Waste Transfer Note arranged. Do not mix refrigerants in recovery units and especially not in cylinders.

If compressors or compressor oils are to be removed, ensure that they have been evacuated to an acceptable level to make certain that flammable refrigerant does not remain within the lubricant. The evacuation process shall be carried out prior to returning the compressor to the suppliers. Only electric heating to the compressor body shall be employed to accelerate this process. When oil is drained from a system, it shall be carried out safely.

Appendix

Schematic diagram of the air-conditioner



For specific technical parameters of the model, refer to rating label on the product.

ENVIRONMENT

CAUTION:



Do not dispose of this product as it has with other household products. There is a separation of this waste product into communities, you will need to inform your local authorities about the places where you can return this product. In fact, electrical and electronic products contain hazardous substances that have harmful effects on the environment or human health and should be recycled. The symbol here indicates that electrical and electronic equipment should be chosen carefully, a wheeled waste container is marked with a cross.

Adeva SAS / H.Koenig Europe - 8 rue Marc Seguin - 77290 Mitry Mory - France
www.hkoenig.com - sav@hkoenig.com - contact@hkoenig.com - Tél: +33 1 64 67 00 05

FRANÇAIS

CONSIGNES DE SÉCURITÉ

Merci beaucoup d'avoir choisi ce nouveau modèle de climatiseur portable. Veuillez lire attentivement ce manuel d'utilisation et d'entretien avant d'installer et d'utiliser cet appareil. Veuillez conserver ce manuel d'utilisation et d'entretien en lieu sûr.

Le réfrigérant utilisé dans ce climatiseur portable est l'hydrocarbure écologique R290. Ce réfrigérant est inodore et, comparé aux autres réfrigérants alternatifs, le R290 ne contient pas d'ozone.

Veuillez lire les instructions avant toute utilisation.

Les dessins fournis dans ce manuel peuvent différer des objets. Veuillez-vous reporter à ceux-ci en cas de doute.

ATTENTION :

- • Ne pas utiliser des moyens pour accélérer le processus de dégivrage ou pour nettoyer l'appareil, autres que ceux recommandés par le fabricant.
- • L'appareil doit être stocké dans une pièce sans autre dispositif en fonctionnement continu (par exemple : appareil à flammes nues, appareil à gaz ou un dispositif de chauffage électrique).
- Ne pas transpercer ou brûler.
- Sachez que les réfrigérants peuvent être inodores
- L'appareil doit être installé, utilisé et rangé dans une pièce dont la surface de plancher est supérieure à 12.5 m².
- Garder les bouches d'aération libres de tout obstacle.
- L'entretien doit être effectué conformément aux recommandations du fabricant de l'équipement.
- L'appareil doit être stocké dans une zone bien ventilée dont la surface correspond à celle spécifiée pour le fonctionnement.
- Toute personne travaillant avec un circuit réfrigérant ou dans une zone réfrigérée doit disposer d'un certificat en cours de validité émanant d'une autorité d'évaluation accréditée par l'industrie, l'autorisant à manipuler en toute sécurité les réfrigérants conformément à une spécification d'évaluation reconnue par l'industrie.
- L'entretien doit être effectué conformément aux

recommandations du fabricant de l'équipement.

L'entretien et la réparation nécessitant l'assistance d'autres personnes qualifiées doivent être effectués sous la supervision d'une personne compétente en matière d'utilisation des réfrigérants inflammables.

- Toute procédure de travail affectant la sécurité ne doit être effectuée que par des personnes compétentes.
- Veillez à ne pas cogner l'appareil lorsque vous vous déplacez pour éviter toute fuite du circuit de réfrigération.



matières inflammables voir mode d'emploi



lire le manuel



lire le mode d'emploi technique

Cet appareil contient le réfrigérant R290 à base de propane inflammable

La charge maximale de réfrigérant est de 260 g.

Remarque :

- Le climatiseur ne convient que pour une utilisation à l'intérieur et ne convient pas pour d'autres usages..
- Respectez les règles de branchement au réseau local lors de l'installation du climatiseur et assurez-vous qu'il soit correctement mis à la terre. Si vous avez des doutes concernant l'installation électrique, suivez les instructions du fabricant et, si nécessaire, demandez à un électricien professionnel de l'installer.
- Placez l'appareil sur une surface plane et sèche et maintenez une distance supérieure à 50 cm entre la machine et les objets ou les murs environnants.
- Une fois l'appareil installé, assurez-vous que la fiche du cordon d'alimentation soit intacte et fermement branchée à la prise du secteur, puis placez le cordon d'alimentation

- correctement pour éviter que quelqu'un ne s'y heurte
- Ne placez aucun objet devant les entrées et sorties d'aération du climatiseur. Veillez à ce que les entrées et sorties d'air ne soient pas obstruées.
 - Lorsque les tuyaux de drainage sont installés, assurez-vous qu'ils soient correctement raccordés et qu'ils ne soient ni déformés ni pliés.
 - Ajuster les déflecteurs supérieur et inférieur de la sortie d'air avec précaution pour ne pas les endommager.
 - Lorsque vous déplacez le climatiseur, assurez-vous qu'il soit en position verticale.
 - L'appareil doit rester à l'écart de tout combustible et gaz inflammable, des cuisinières et autres sources de chaleur.
 - Ne démontez pas, ne révisiez pas et ne modifiez pas l'appareil par vous-même, sinon cela pourrait provoquer un dysfonctionnement du climatiseur ou même causer des blessures à des personnes et à des biens. Pour éviter tout accident, adressez-vous au fabricant ou à un professionnel pour le réparer.
 - Ne pas installer et utiliser le climatiseur dans une salle de bain ou dans d'autres environnements humides.
 - Ne tirez pas sur la prise pour éteindre l'appareil.
 - Ne placez pas de tasse ou d'autres objets sur l'appareil pour éviter de mettre de l'eau dans le climatiseur.
 - N'utilisez pas d'insecticide en aérosol ou d'autres substances inflammables à proximité du climatiseur.
 - Ne pas essuyer ou laver le climatiseur avec des solvants chimiques tels que l'essence et l'alcool. Lorsque vous devez nettoyer l'appareil, vous devez le débrancher et le nettoyer avec un chiffon doux et humide. S'il est vraiment sale, frottez-le avec un détergent doux.
 - Cet appareil n'est pas destiné à être utilisé par des personnes présentant des capacités réduites sur le plan physique, mental ou sensoriel ou bien manquant

d'expérience ou de connaissance, (y compris les enfants), sauf si elles ont eu des instructions concernant l'utilisation de l'appareil par une personne responsable de leur sécurité et qu'elle en comprennent les risques. Les enfants doivent être surveillés pour s'assurer qu'ils ne jouent pas avec l'appareil.

- N'utilisez pas l'appareil si son câble d'alimentation ou sa prise est endommagée, s'il ne fonctionne pas correctement, s'il a été abimé ou s'il est tombé. Si le câble d'alimentation est endommagé, il doit être remplacé par le fabricant ou son agent ou encore par une personne qualifiée afin d'éviter tout risque.
- L'appareil doit être installé conformément aux réglementations d'installation électrique en vigueur.
- L'appareil ne doit pas être utilisé s'il a chuté, s'il y a des signes visibles de dommages ou en cas de fuite
- Cet appareil peut être utilisé par des enfants âgés d'au moins 8 ans, à condition qu'ils bénéficient d'une surveillance ou qu'ils aient reçu des instructions quant à l'utilisation de l'appareil en toute sécurité et qu'ils comprennent bien les dangers encourus.
- Le nettoyage et l'entretien par l'utilisateur ne doivent pas être effectués par des enfants, à moins qu'ils ne soient âgés de plus de 8ans et qu'ils soient sous la surveillance d'un adulte.
- Conserver l'appareil et son câble hors de portée des enfants âgés de moins 8ans.
- Lors de l'utilisation d'appareils électriques, des précautions de sécurité doivent toujours être prises pour prévenir tout risque d'incendie, de choc électrique et/ou de blessure en cas de mauvaise utilisation.
- Vérifier que le voltage indiqué sur la plaque signalétique

de l'appareil correspond bien à celui de votre installation électrique. Si ce n'est pas le cas, adressez-vous au revendeur et ne branchez pas l'appareil.

- Ne jamais laisser l'appareil sans surveillance lorsqu'il est en fonctionnement.
- Veuillez conserver ce document à disposition et le remettre au futur propriétaire en cas de cession de votre appareil.
- Veuillez conserver ce document à disposition et le remettre au futur propriétaire en cas de cession de votre appareil

TRANSPORT, ETIQUETAGE ET STOCKAGE DES APPAREILS

1. Transport d'équipements contenant des réfrigérants inflammables
En conformité avec le règlement des transports
2. Étiquetage de l'équipement à l'aide de symboles
En conformité avec les réglementations locales
3. Mise au rebut des équipements utilisant des réfrigérants inflammables
En conformité avec les règlements en vigueur
4. Rangement des équipements / appareils
Le stockage de l'équipement doit être conforme aux instructions du fabricant.
5. Stockage du matériel emballé (invendu)
L'emballage de l'appareil doit être conçu de manière à ce que le transport ne provoque pas une fuite du circuit de réfrigération.
Le nombre maximal de pièces de l'équipement pouvant être stockées ensemble sera déterminé par la réglementation locale.
L'appareil doit être stocké de manière à éviter des dommages mécaniques.
Remarque :
La température ambiante optimale de fonctionnement pour refroidir est de 17 à 35 ° C et la température ambiante optimale pour réchauffer est de 8 à 25 ° C.
Paramètres de fusible : .05.0x20mm 3.15A, 250Vac.

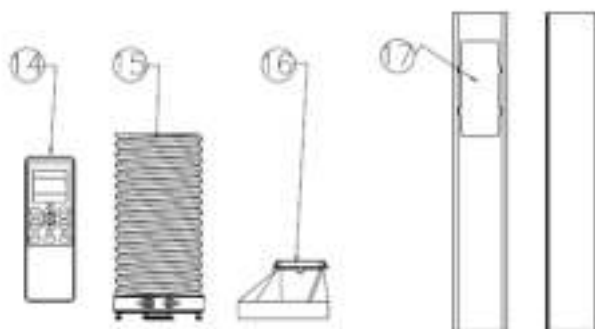
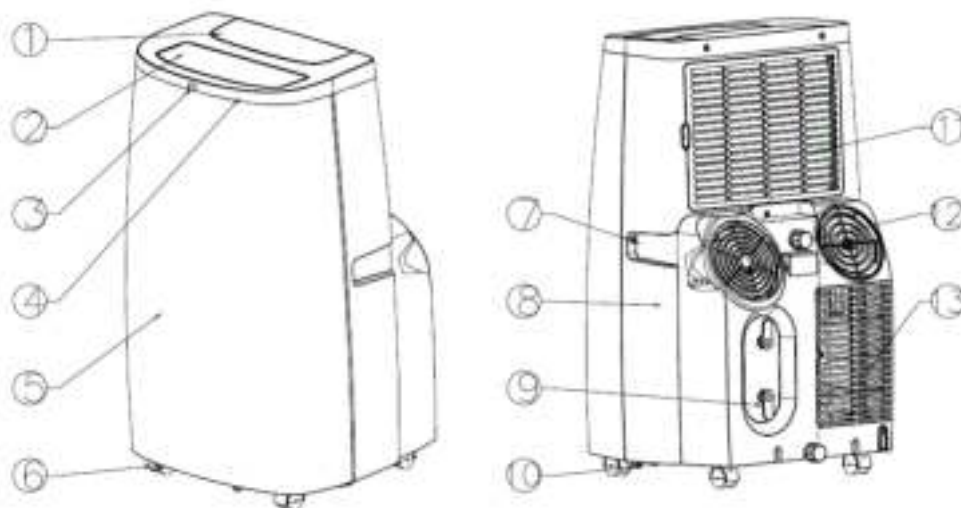
L'appareil est rempli du gaz inflammable R290 et la charge maximale de réfrigérant est de 260 g.
Le PRP du réfrigérant R290 est égal à 3.
Pour toute réparation, contactez le centre de service agréé le plus proche et suivez scrupuleusement les instructions du fabricant.

CARACTERISTIQUES ET IDENTIFICATION DES PIECES

1. Caractéristiques

- Nouvelle apparence avec un design compact, plus luxueux et haut de gamme.
- Le déflecteur de sortie d'air oscille automatiquement et la direction du vent répond aux besoins des usagers.
- Apparence belle et simple, élément situé au dos de l'appareil permettant de le ranger à l'écart.
- Panneau de commande à affichage numérique à LED et télécommande LCD haut de gamme.
- Enrouleur et prise de courant universelle pour une meilleure protection du cordon d'alimentation
- Fonction de minuterie sur 24 heures, activation / désactivation d'une musique de rappel.
- Délai de redémarrage de 3 minutes pour protéger le compresseur et d'autres fonctions de protection multiples.
- Tuyau de sortie et attaches spécifiques, installation pratique.

2. Identification des pièces

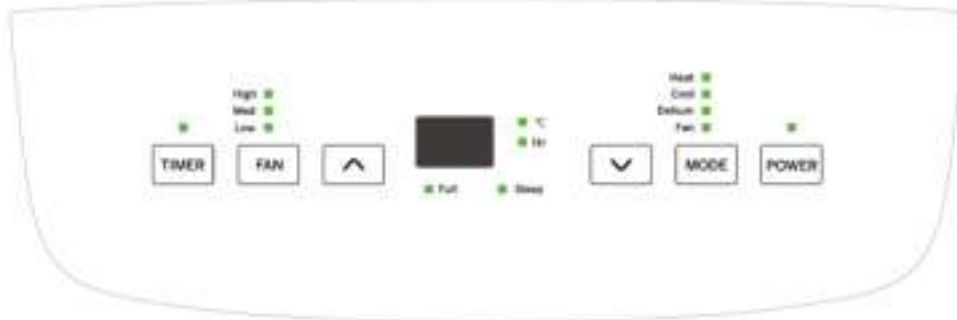


- | | | | |
|----|--------------------------------|-----|---------------------------------|
| 1. | Panneau de commande | 10. | Réservoir |
| 2. | Grille d'aération horizontale | 11. | Filtre supérieur |
| 3. | Emplacement de la télécommande | 12. | Couvercle de vidange et bouchon |
| 4. | Partie supérieure | 13. | Filtre inférieur |
| 5. | Partie avant | 14. | Commande à distance |
| 6. | Roues universelles | 15. | Raccord rond et tuyau de sortie |
| 7. | Poignée | 16. | Adaptateur du tuyau de sortie |
| 8. | Partie arrière | 17. | Kits de fenêtre |
| 9. | Enrouleur | | |

FONCTIONNEMENT ET RÉGLAGES

1. Panneau de contrôle

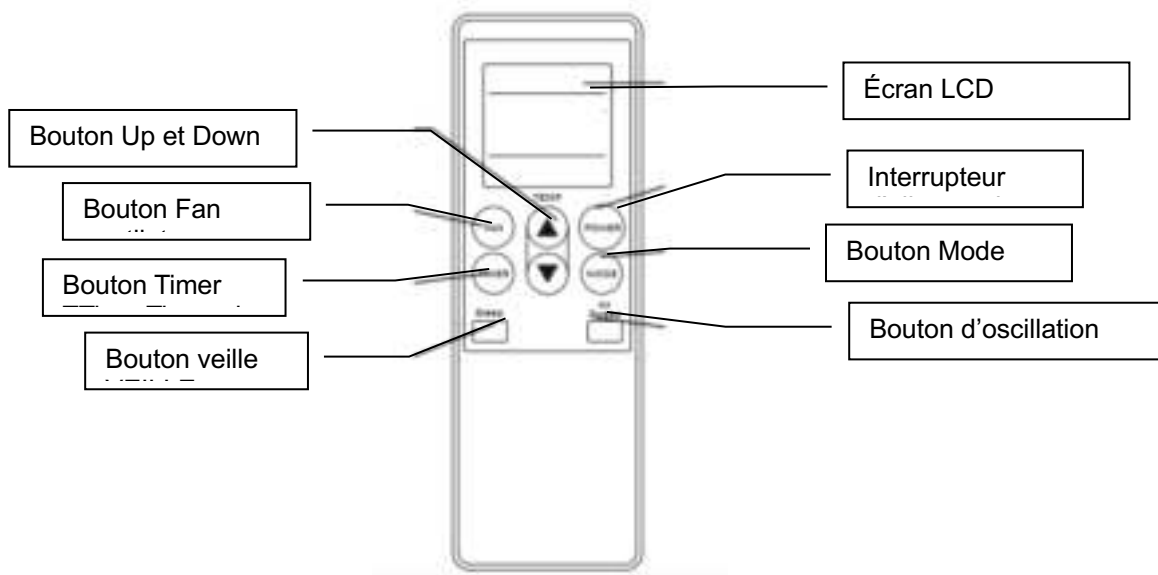
Cette partie explique le bon fonctionnement du climatiseur portatif.



2. Fonctionnement du panneau de commande

- A. Bouton Power : appuyez sur le bouton, le voyant s'allume en vert; lorsque l'appareil est sous tension, appuyez de nouveau sur le bouton et le voyant s'éteint (devient rouge).
- B. Bouton Mode : appuyez sur ce bouton pour changer et sélectionner le mode de fonctionnement souhaité. Tous les modes correspondent à COOL - DEHUM - FAN - HEAT (**l'appareil qui ne possède pas la fonction de chauffage n'a pas le mode HEAT**), le voyant s'allumera en conséquence.
- C. Bouton Fan : appuyez sur ce bouton pour régler la vitesse du ventilateur : High, Medium ou Low.
- D. Bouton Up : appuyez dessus pour augmenter la température ou la minuterie.
- E. Bouton Down: appuyez dessus pour baisser la température ou la minuterie.
- F. Bouton Timer : appuyez dessus pour régler la minuterie, l'interroger et annuler la minuterie.
- G. Bouton Up et Down : appuyez simultanément dessus pour modifier l'affichage de la température en Fahrenheit ou en Celsius).
- H. Boutons Up et Timer : appuyez simultanément dessus pour sélectionner le mode veille.
- I. Boutons Fan et Timer : appuyez simultanément dessus pour activer ou désactiver la fonction d'oscillation.

3. Fonctionnement de la télécommande

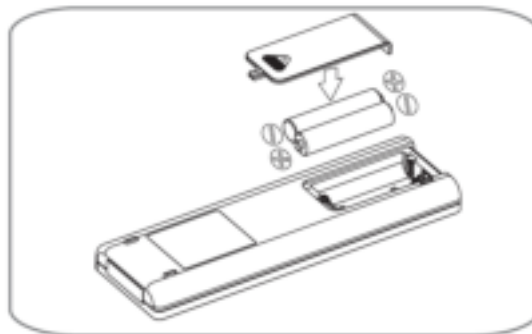


- 1) Power : appuyez sur ce bouton pour démarrer l'appareil lorsqu'il est éteint ou pour l'arrêter lorsqu'il est en fonctionnement
- 2) Mode : appuyez sur ce bouton pour sélectionner le mode de fonctionnement.
- 3) appuyez sur ce bouton pour régler/augmenter la température
- 4) appuyez sur ce bouton pour régler/diminuer la température
- 5) appuyez sur ce bouton pour régler la vitesse du ventilateur selon l'ordre : Low → Medium → High
- 6) Auto-Swing : appuyez sur ce bouton pour allumer ou éteindre la fonction d'oscillation.
- 7) Veille : appuyez sur ce bouton pour sélectionner ou annuler le mode veille (uniquement en mode de refroidissement ou d'économie d'énergie)
- 8) Timer : appuyez sur ce bouton pour définir le démarrage et l'arrêt automatiques de la minuterie. Le temps peut être réglé entre 0,5 et 24 heures. Il progresse par intervalle de 30 mn pour les 5 premières heures et par intervalle d'une heure après 5 heures. L'heure programmée clignotera 5 fois à l'écran, puis confirmera le réglage.

Avant d'utiliser votre télécommande, installez les piles AAA dans la télécommande.

- 1) Appuyez sur le couvercle du compartiment de la batterie situé à l'arrière de la télécommande et faites-le glisser pour pouvoir le retirer.
- 2) Insérez deux nouvelles piles alcalines AAA dans le compartiment des piles, en veillant à respecter la bonne polarité. Remplacez le couvercle des piles en vous assurant que la languette de blocage se met en place.

Assurez-vous de respecter la bonne polarité des piles.

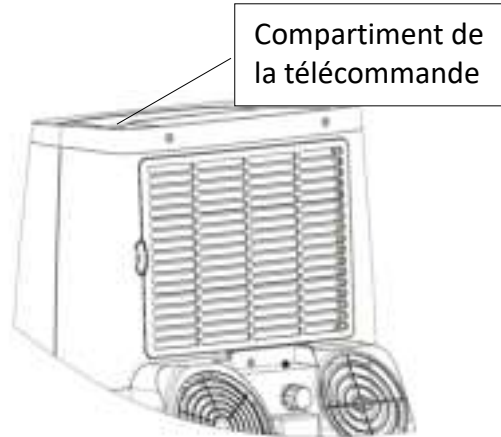


Remarque :

- Utilisez des piles alcalines uniquement. Ne pas utiliser de piles rechargeables.
- Lors du remplacement des piles, changez toujours les deux piles par des piles neuves, ne mélangez pas piles neuves et usées.
- Si le climatiseur n'est pas utilisé pendant une période de temps prolongée, retirez les piles de la télécommande.

4. Rangement de la télécommande

- 1) Insérez la télécommande dans le compartiment intégré sur le dessus de l'appareil, et appuyez dessus délicatement pour la fixer.
- 2) Appuyez doucement sur la partie inférieure de la télécommande pour la sortir.
Afin d'éviter de perdre la télécommande, veuillez la mettre à l'intérieur de son compartiment lorsque vous ne l'utilisez pas.



AVERTISSEMENT

Si le liquide contenu dans les piles entre en contact avec votre peau ou vos vêtements, lavez-les avec de l'eau propre. N'utilisez pas la télécommande si les piles ont des fuites.

Si vous ingérez le liquide contenu dans les piles, brossez-vous les dents et consultez un médecin. Les produits chimiques des piles pourraient provoquer des brûlures ou d'autres dangers pour votre santé.

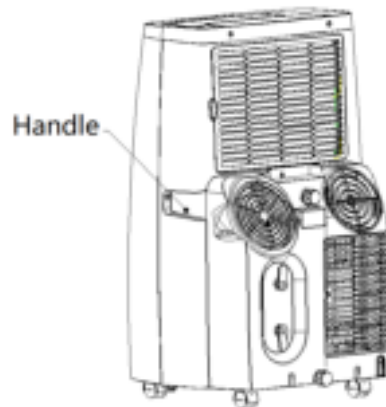
MANUTENTION ET TRANSPORT

1. Manutention de l'appareil

1) Tenez les poignées situées sur les côtés pour déplacer l'appareil en position verticale.

Remarque :

- Conservez l'appareil en position verticale quelle que soit la manutention.
- Videz complètement l'eau contenue dans l'appareil pour éviter les fuites et de mouiller le sol ou le tapis avant de manipuler ou de déplacer le climatiseur.
- Retirez la télécommande de son compartiment et conservez-la.



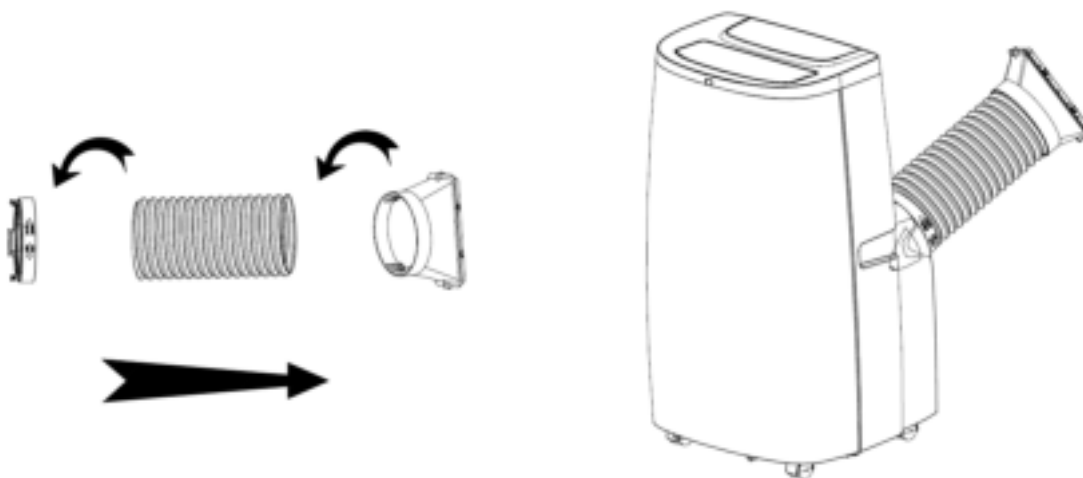
INSTALLATION ET RÉGLAGE

1. Installation

Remarque :

- Conservez ce climatiseur portatif en position verticale au moins deux heures avant la première utilisation.
- Ce climatiseur doit être utilisé à l'intérieur d'un bâtiment; Gardez l'appareil en position verticale tout en le déplaçant. Le climatiseur doit être placé sur une surface plane.
- Il ne faut pas installer ou faire fonctionner le climatiseur dans une salle de bain ou d'autres environnements humides.

1) Installation du tuyau de sortie et de son adaptateur.



- A. Sortez le tuyau de sortie ainsi que son raccord et son adaptateur; retirez le sac en plastique.
- B. Étirez une extrémité du tuyau de sortie, visser l'extrémité sans fente du raccord rond sur celle-ci dans le sens inverse des aiguilles d'une montre sur au moins 3 tours.

C. Étirez l'autre extrémité et vissez l'adaptateur sur celui-ci dans le sens contraire des aiguilles d'une montre sur au moins 3 tours.

Remarque : vissez le raccord rond et l'adaptateur dans la bonne position, au moins sur 3 tours, pour avoir un bon raccordement du tuyau de sortie.

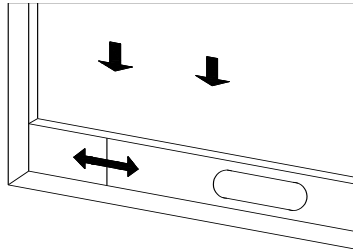
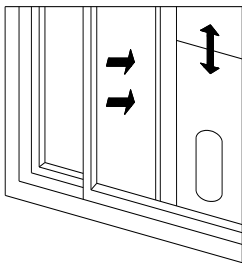
2) Installation de la plaque d'étanchéité de la fenêtre

A. Ouvrez la fenêtre à demi, puis mettez la plaque d'étanchéité dans la fenêtre, soit en position verticale soit horizontale.

B. Étirez les éléments de la plaque d'étanchéité et ajustez-la à la longueur de la fenêtre, maintenez les deux extrémités contre le bord de la fenêtre, puis fixez-la avec les vis.

Remarque :

- Gardez les deux extrémités de la plaque d'étanchéité de la fenêtre bien en contact avec les bords de la fenêtre pour assurer l'effet de joint.
- Tournez la vis en bonne position.

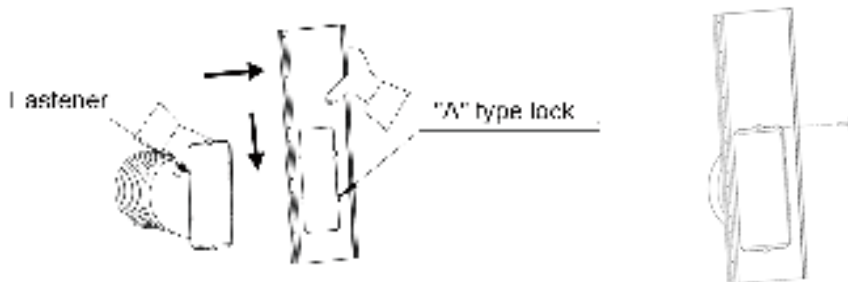


3) Installation de l'appareil

A. Déplacez l'appareil avec le tuyau de sortie installé en face de la fenêtre et maintenez l'appareil à au moins 50 cm des murs ou d'autres objets.

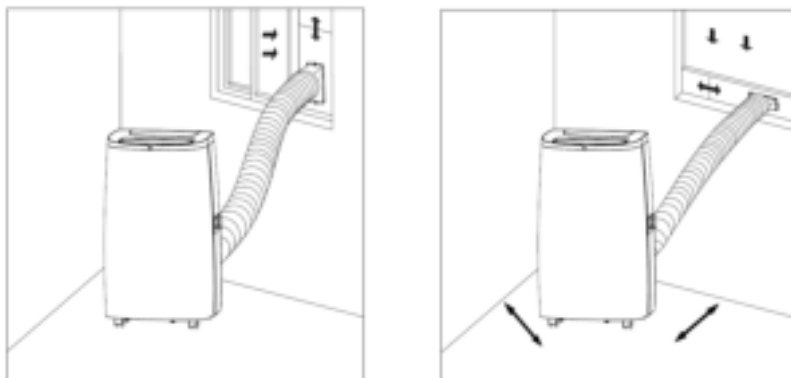


B. Mettez le bout rectangulaire du tuyau de sortie dans le trou rectangulaire correspondant de la plaque d'étanchéité de la fenêtre, fixez-le avec la vis et fermez la fenêtre (Figure 6).



Remarque :

- Faites glisser l'adaptateur vers le bas et assurez-vous qu'il est installé dans une bonne position.
- Assurez-vous que l'orientation du panneau incliné correspond à celle de la plaque d'étanchéité.
- Le tuyau de sortie ne peut pas être plié sur plus de 45 °, afin de maintenir une bonne ventilation.



Remarque importante :

Le tuyau de sortie a une longueur de 280 à 1500 mm. Cette longueur est déterminée en fonction des spécifications du ou des climatiseurs. N'utilisez pas le tuyau trop longtemps et ne le remplacez pas par un autre tuyau, car cela pourrait affecter le fonctionnement du climatiseur. Le tuyau de sortie doit être bien étiré, sinon le climatiseur peut surchauffer et être endommagé.

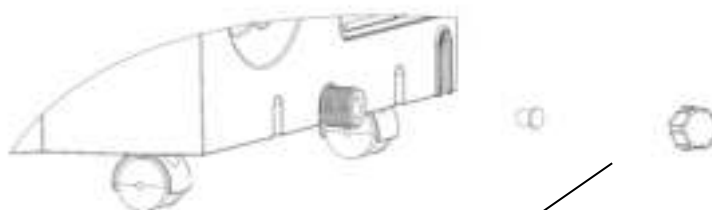
INSTRUCTIONS DE VIDANGE

1. Vidange manuelle :

- 1) Une fois que l'appareil s'arrête car le réservoir d'eau est plein, éteignez-le puis débranchez-le.
- 2) Placez le bac sous la sortie d'eau à l'arrière de l'appareil.
- 3) Dévissez le couvercle de vidange, enlevez le bouchon pour permettre à l'eau de s'écouler dans le bac.
- 4) Remettez le bouchon et vissez le couvercle de vidange fermement sur la sortie d'eau après avoir effectué la vidange.

Remarque :

- Protégez correctement le couvercle de vidange et le bouchon.
- Déplacez l'appareil avec précaution pour éviter les fuites éventuelles.
- Inclinez l'appareil légèrement vers l'arrière lors de la vidange.
- Bouchez le trou de vidange dès que possible avant que le bac ne soit plein car il ne peut contenir toute l'eau de l'appareil. Cela vous évitera de mouiller le sol ou le tapis.
- Le bouchon et le couvercle de vidange doivent être bien installés pour éviter que de nouveaux condensats ne mouillent le sol ou la moquette lorsque l'appareil reprend son fonctionnement.



Couvercle de vidange

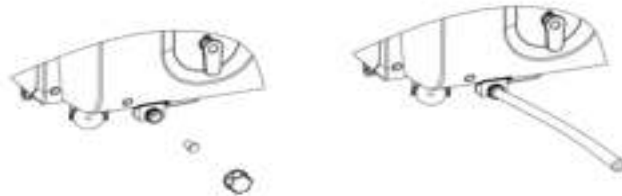
2. Vidange continue

- 1) Dévissez le couvercle de vidange et retirez le bouchon.

- 2) Raccordez le tuyau de vidange de 13mm au trou de vidange, aussi profondément que possible pour éviter les fuites.
- 3) Placez le tuyau de vidange dans la salle de bain ou à l'extérieur.

Remarque :

- Le tuyau de vidange doit être installé lorsqu'il n'y a pas d'eau dans le bac.
- Il est conseillé de ne pas vidanger en continu lorsque l'appareil est en mode COOL afin de garantir un recyclage suffisant de l'eau dans le climatiseur et favoriser son fonctionnement.
- Placez le tuyau de vidange dans un endroit retiré, pas plus haut que le trou de vidange et maintenez-le droit, sans flexion.
- Conservez le couvercle de vidange et son bouchon en lieu sûr lorsque vous procédez à une vidange en continu.
- **Le tuyau de vidange doit être acheté séparément**



3. Fonctions de protection diverses :

- Fonction de protection contre le gel :
En mode COOL, lorsque le compresseur fonctionne en continu pendant plus de 10 minutes, si la température du tube est égale ou inférieure à 2°C pendant 20 secondes, la fonction de protection antigel est activée, E4 s'affichera sur l'écran LCD, le compresseur et le moteur de la pompe hydraulique cesseront de fonctionner, mais le ventilateur supérieur restera en marche; Si la température du tube remonte à 8°C, l'appareil arrêtera la protection antigel et retrouvera ses conditions de fonctionnement initiales. Le compresseur recommencera à fonctionner trois minutes plus tard.
- Alarme de sécurité pour trop-plein d'eau et arrêt automatique :
Lorsque le volume d'eau dépasse le niveau d'alarme dans le réservoir, un avertissement retentit automatiquement et un symbole s'allume sur l'écran LCD. Vous devez vider le condensat et redémarrer l'appareil. Pour plus d'informations sur la façon d'effectuer la vidange, veuillez-vous reporter au chapitre «Instructions de vidange». Si l'appareil n'est pas arrêté manuellement, il reprendra son état de fonctionnement initial automatiquement une fois que l'eau aura été complètement évacuée ou alors rallumez l'appareil.
- Fonction de protection du compresseur par mise en marche différée :
Cet appareil possède une protection pour le redémarrage du compresseur. Bien que le compresseur puisse démarrer immédiatement lorsque l'appareil est mis sous tension pour la première fois, il existe une protection de redémarrage différé de 3 minutes après l'arrêt du compresseur.

MAINTENANCE ET SERVICE

Remarque : assurez-vous d'éteindre l'appareil et de le débrancher avant tout entretien.

1. Nettoyage de surface

- a. Nettoyez la surface de l'appareil avec un chiffon doux et humide ; n'utilisez pas de solvants chimiques tels que de l'alcool ou de l'essence pour éviter d'abimer l'appareil.
- b. Nettoyez la sortie d'air ou la grille d'aération avec un chiffon doux et humide et un détergent.
- c. Il est interdit d'utiliser un solvant chimique pour nettoyer l'appareil ou d'en mettre près de l'appareil pendant une longue période.
- d. Il est interdit d'utiliser tout diluant, apprêt à base d'alcool ou autre solvant similaire pour nettoyer l'appareil.

2. Nettoyage du filtre

Nettoyez le filtre toutes les deux semaines, sinon le fonctionnement de l'appareil en serait affecté si le filtre était bouché par la poussière.

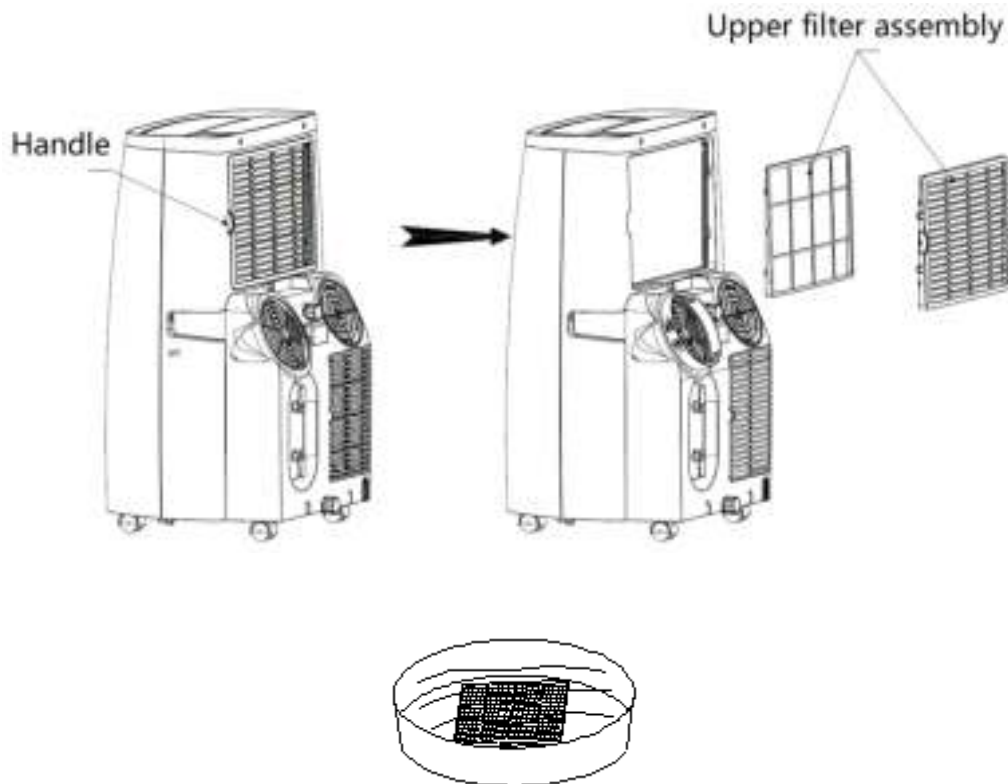
1) Nettoyage du filtre d'air

- A. Saisissez la poignée du filtre et tirez-la doucement dans le bon sens.
- B. Nettoyez les particules encrassées dans le filtre avec un produit nettoyant si nécessaire.
- C. Plongez et lavez doucement le filtre dans de l'eau tiède (environ 40°C) mélangée à un nettoyant neutre, puis rincez-le et séchez-le soigneusement à l'ombre.

Remarque :

- Retirez doucement le filtre.
- Le retrait du filtre sur le panneau arrière doit précéder celui du filtre du panneau latéral, afin d'éviter de tordre ou d'abimer le filtre.

- N'écrasez pas la grille.
- Ne touchez pas la grille avec un objet pointu ou une brosse.



3. Installation du filtre

Alignez le bord du filtre avec la fente, puis poussez doucement le filtre dans la fente pour ne pas l'abîmer.

Remarque :

- Assurez-vous d'installer le filtre du panneau latéral, avant le filtre du panneau arrière.
- Installez le filtre dans le sens inverse du retrait.
- Mettez le filtre en place doucement pour ne pas l'endommager.

Rangement de fin de saison :

- 1) Dévissez le couvercle de vidange et retirez le bouchon pour vider complètement l'eau de condensation. (Remarque: l'angle d'inclinaison de l'appareil doit être de 30°C.)
- 2) Faites fonctionner l'appareil en mode ventilation pendant

une demi-journée pour sécher complètement l'intérieur de l'appareil et ainsi éviter l'apparition de moisissures.

3) Éteignez l'appareil, débranchez la fiche, puis enroulez le cordon d'alimentation autour de l'enrouleur, insérez la fiche dans le trou de fixation universelle sur le panneau arrière de l'appareil, installez le bouchon et le couvercle de vidange.

4) Retirez le tuyau de sortie, nettoyez-le et conservez-le à l'abri.

Remarque :

- Tenez le tuyau de sortie à deux mains pour l'enlever.
- Écartez les fixations sur le côté de la sortie d'air avec vos pouces, puis retirez le tuyau.

5) Emballez le climatiseur correctement avec un sac plastique souple et mettez-le dans un endroit sec et à l'abri de la poussière; gardez l'appareil hors de portée des enfants.

6) Retirez les piles de la télécommande et placez-la dans son logement.

Remarque :

Assurez-vous que l'appareil soit rangé dans un endroit sec. Tous les accessoires doivent être rassemblés et conservés à l'abri.

GUIDE DES PANNES

Veillez vérifier l'appareil et consulter les suggestions ci-dessous avant de demander un dépannage à un professionnel. Vous ne devez jamais démonter ou réparer l'appareil par vous-même, vous pourriez vous blesser et provoquer des dégâts matériels.

Si des problèmes ne figurant pas dans le tableau surviennent ou si les solutions recommandées ne fonctionnent pas, veuillez contacter le service d'assistance technique.

Problème	Cause	Solution
L'appareil ne parvient pas à démarrer	Panne de courant	Branchez l'appareil à une prise et allumez-le.
	Le témoin de trop-plein d'eau s'allume	Videz l'eau du réservoir.
	Température ambiante trop basse ou trop élevée	Il est recommandé d'utiliser cet appareil entre 8 et 35°C
	La température ambiante est inférieure à la température définie en mode de refroidissement ou supérieure en mode de chauffage	Modifier le réglage de la température
Refroidissement insuffisant	Le soleil éclaire l'appareil	Fermer le rideau de la fenêtre
	Les portes et les fenêtres sont ouvertes, la pièce est bondée ou il y a d'autres sources de chaleur	Fermez les portes et les fenêtres, supprimez les autres sources de chaleur et ajoutez de nouveaux climatiseurs
	Le filtre est sale	Nettoyer ou changer le filtre
	Entrée ou sortie d'air bouchée	Nettoyer les entrées et sorties d'air
L'appareil fait du bruit	L'appareil est placé sur une surface inégale.	Placez l'appareil sur une surface plane et ferme (cela peut réduire le bruit)
Le compresseur ne fonctionne pas	La protection contre la surchauffe est activée	Attendez que la température baisse, l'appareil redémarrera automatiquement
La télécommande ne fonctionne pas	La distance est trop grande	Approchez la télécommande du climatiseur et assurez-vous qu'elle soit au niveau du récepteur de signal de l'appareil.
	La télécommande ne visait pas le récepteur de signal sur l'appareil.	
	Les piles ne fonctionnent pas	Remplacez les piles.
Affichage du code E1	Panne du capteur de température du tube	Vérifiez le capteur de température du tube et les circuits associés
Affichage du code E2	Panne du capteur de température ambiante	Vérifiez le capteur de température ambiante et les circuits associés
Affichage du code E4	Protection antigel	Restaurez les fonctions automatiquement une fois la protection antigel terminée.
Affichage du code FL	Le réservoir d'eau est plein	Vidanger le réservoir et redémarrer l'appareil

1. Informations concernant l'entretien

1) Vérifications

Avant de commencer à travailler sur des systèmes contenant des réfrigérants inflammables, des contrôles de sécurité sont nécessaires pour réduire au minimum le risque d'inflammation. Pour réparer le système de réfrigération, les précautions suivantes doivent être respectées avant de procéder à des travaux sur le système.

2) Procédure de travail

Les travaux doivent être effectués selon une procédure contrôlée, de manière à minimiser le risque de présence de gaz ou de vapeurs inflammables pendant l'exécution des travaux.

3) Zone générale de travail

Tout le personnel de maintenance et les autres personnes travaillant dans la zone doivent être informés de la nature des travaux effectués. Les travaux dans des espaces confinés doivent être évités. La zone autour de l'espace de travail doit être divisée. Assurez-vous qu'il n'y ait pas de risque avec les produits inflammables dans la zone de travail.

4) Vérification de la présence de réfrigérant

La zone doit être vérifiée avec un détecteur de réfrigérant approprié avant et pendant le travail, afin de s'assurer que le technicien est au courant des atmosphères potentiellement inflammables. Assurez-vous que l'équipement de détection des fuites utilisé soit adapté aux réfrigérants inflammables, c'est-à-dire qu'il ne produit pas d'étincelles, qu'il est hermétique et qu'il est totalement sûr.

5) Présence d'extincteur

Si un travail dégageant de la chaleur doit être effectué sur l'équipement de réfrigération ou sur toute pièce associée, un extincteur approprié doit être disponible. Installez un extincteur à poudre sèche ou à CO₂ à proximité de la zone de travail.

6) Sources d'incendie

Aucune personne effectuant des travaux en relation avec un système de réfrigération impliquant la manipulation de canalisations contenant ou ayant contenu un réfrigérant inflammable ne doit utiliser une source d'inflammation risquant d'entraîner un incendie ou une explosion. Toutes les sources d'inflammation possibles, y compris de fumer une cigarette, doivent être suffisamment éloignées de la zone de travail où un réfrigérant inflammable peut éventuellement être rejeté. Avant le début des travaux, la zone autour de l'équipement doit être inspectée pour s'assurer qu'il n'y a pas de danger ou de risque d'inflammation. Des panneaux «Interdiction de fumer» doivent être affichés.

7) Ventilation de la zone de travail.

Assurez-vous que la zone soit à l'air libre ou qu'elle soit correctement ventilée avant de démonter le système de réfrigération ou d'effectuer des travaux produisant de la chaleur. Une ventilation doit être maintenue pendant la durée des travaux. La ventilation doit disperser en toute sécurité tout fluide réfrigérant libéré et de préférence l'expulser vers l'extérieur et dans l'atmosphère.

8) Contrôle du système de réfrigération

Lorsque des composants électriques sont remplacés, ils doivent être adaptés à l'usage prévu et posséder les caractéristiques appropriées. Les directives du fabricant en matière de réparation et d'entretien doivent être suivies à tout moment. En cas de doute, consultez le service technique du fabricant.

Les contrôles suivants doivent être appliqués aux installations utilisant des réfrigérants

inflammables :

- a. La quantité de réfrigérant est fonction de la taille de la pièce qui doit être rafraîchie.
- b. Les équipements et bouches de ventilation fonctionnent de manière adéquate et ne sont pas obstrués.
- c. Si un circuit de réfrigération secondaire est utilisé, la présence de réfrigérant doit être vérifiée
- d. L'étiquetage de l'équipement doit être visible et lisible. Les étiquettes et symboles illisibles doivent être remplacés.
- e. Les tuyaux ou les composants de réfrigération sont installés de telle sorte qu'ils sont peu susceptibles d'être exposés à une substance qui peut corroder les composants contenant du réfrigérant, ou bien les composants sont constitués de matériaux qui sont intrinsèquement résistants à la corrosion ou sont protégés de manière appropriée de la corrosion.

9) Contrôle des appareils électriques

La réparation et la maintenance des composants électriques doivent inclure les contrôles de sécurité initiaux et les procédures d'inspection des composants. S'il existe un défaut susceptible de compromettre la sécurité, aucune alimentation électrique ne doit être connectée au circuit jusqu'à ce que le problème soit résolu de manière satisfaisante. Si le défaut ne peut pas être corrigé immédiatement mais qu'il est nécessaire de poursuivre le fonctionnement, une solution temporaire adéquate doit être utilisée. Cela doit être signalé au propriétaire de l'appareil afin que toutes les parties soient informées.

Les contrôles de sécurité initiaux doivent inclure :

- a. Que les condensateurs soient déchargés: cela doit être fait de manière sûre pour éviter la possibilité d'étincelles.
- b. Qu'il n'y ait pas de composants électriques et de câbles sous tension exposés lors du chargement, de la récupération ou de la purge du système.
- c. Qu'il existe une continuité de la mise à la terre.

2. Réparation de composants hermétiques

- 1) Pendant les réparations des composants étanches, toutes les alimentations électriques doivent être débranchées de l'équipement utilisé avant d'ouvrir les composants, etc. S'il est absolument nécessaire que les équipements soient alimentés électriquement lors de l'entretien, une détection permanente des fuites doit être située au point le plus critique pour signaler une situation potentiellement dangereuse.
- 2) Une attention particulière doit être portée aux points suivants afin de garantir qu'en travaillant sur des composants électriques, le boîtier ne soit pas modifié de manière à affecter le niveau de protection. Cela inclut les dommages aux câbles, le nombre excessif de connexions, les bornes non conformes aux spécifications d'origine, les dommages aux joints d'étanchéité, le mauvais montage des presse-étoupes, etc. Assurez-vous que l'appareil soit correctement monté.

Assurez-vous que les joints ou les matériaux d'étanchéité ne se soient pas dégradés de telle sorte qu'ils ne protègent plus de la pénétration de substances inflammables.

Les pièces de rechange doivent être conformes aux spécifications du fabricant.

REMARQUE : l'utilisation d'un produit d'étanchéité à base de silicone peut nuire à l'efficacité de certains types d'équipement de détection de fuites. Les composants à sécurité intrinsèque ne doivent pas nécessairement être isolés avant d'intervenir dessus.

3. Réparation de composants à sécurité intrinsèque

N'appliquez aucune charge inductive ou capacitive permanente au circuit sans vous assurer que cela ne dépassera pas la tension et le courant admissibles pour l'équipement utilisé. Les composants à sécurité intrinsèque sont les seuls sur lesquels on peut travailler tout en étant dans une atmosphère inflammable. L'appareil d'essai doit avoir une cote correcte. Remplacez les composants uniquement par des pièces recommandées par le fabricant. D'autres pièces peuvent provoquer l'inflammation du réfrigérant dans l'atmosphère par une fuite.

4. Câblage

Vérifiez que le câblage ne soit pas soumis à l'usure, à la corrosion, à une pression excessive, aux vibrations, aux arêtes vives ou à tout autre effet néfaste de l'environnement. La vérification doit également prendre en compte les effets du vieillissement ou des vibrations continues provenant de sources telles que les compresseurs ou les ventilateurs.

5. Détection de réfrigérants inflammables

En aucun cas, les sources potentielles d'étincelle ne peuvent être utilisées dans la recherche ou la détection des fuites de réfrigérant. Une torche aux halogénures (ou tout autre détecteur utilisant une flamme nue) ne doit pas être utilisée.

6. Méthodes de détection des fuites

Les méthodes de détection de fuites suivantes sont considérées comme acceptables pour les systèmes contenant des réfrigérants inflammables.

Les détecteurs de fuites électroniques doivent être utilisés pour détecter les réfrigérants inflammables, mais la sensibilité peut ne pas être adéquate ou peut nécessiter un nouvel étalonnage. (L'équipement de détection doit être étalonné dans une zone sans réfrigérant.)

Assurez-vous que le détecteur ne soit pas une source potentielle d'inflammation et qu'il convienne au réfrigérant utilisé. L'équipement de détection des fuites doit être paramétré à un pourcentage de LFL du réfrigérant et doit être étalonné sur le réfrigérant utilisé et le pourcentage approprié de gaz (25 % maximum) doit être confirmé.

Les liquides de détection des fuites conviennent à la plupart des réfrigérants, mais l'utilisation de détergents contenant du chlore doit être évitée car le chlore peut réagir avec le réfrigérant et corroder le tube de cuivre.

Si une fuite est suspectée, toutes les flammes nues doivent être éliminées / éteintes.

Si une fuite de réfrigérant est détectée et qu'elle nécessite un brasage, tout le réfrigérant doit être récupéré du système ou isolé (au moyen de vannes d'arrêt) dans une partie du système loin de la fuite. L'azote libre d'oxygène (ALO) doit être purgé à travers le système avant et pendant le processus de brasage.

7. Enlèvement et évacuation

Si vous devez ouvrir le circuit de réfrigération pour effectuer des réparations - ou à toute autre fin -, des procédures conventionnelles doivent être utilisées. Cependant, il est important que les meilleures pratiques soient respectées car l'inflammabilité est un facteur à prendre en considération. Les éléments suivants doivent être respectés :

1. Retirer le réfrigérant.
2. Purger le circuit avec du gaz inerte.
3. Évacuer le tout
4. Purger à nouveau avec un gaz inerte.
5. Ouvrez le circuit en coupant ou en soudant.

La charge de réfrigérant doit être récupérée dans les bouteilles de récupération adéquates. Le système doit être «vidé» avec OFN pour rendre l'appareil sans danger. Ce processus peut avoir besoin d'être répété plusieurs fois. L'air comprimé ou l'oxygène ne doit pas être utilisé pour cette tâche.

La vidange doit être réalisée en rompant le vide dans le système avec OFN et en continuant à se remplir jusqu'à atteindre la pression de travail, puis en relâchant dans l'atmosphère et en recréant finalement le vide. Ce processus doit être répété jusqu'à ce qu'il n'y ait plus de réfrigérant dans le système. Lorsque la dernière charge OFN est utilisée, le système doit être purgé à la pression atmosphérique pour permettre le travail. Cette opération est absolument essentielle pour que des opérations de brasage sur la tuyauterie aient lieu.

Assurez-vous que la sortie de la pompe à vide ne se trouve à proximité d'aucune source d'inflammation et qu'une ventilation est disponible.

8. Procédures de charge

En plus des procédures de charge conventionnelles, les exigences suivantes doivent être suivies :

- 1) S'assurer qu'aucune contamination des différents réfrigérants ne se produise lors de l'utilisation d'un équipement de chargement. Les tuyaux ou les conduites doivent être aussi courtes que possible pour minimiser la quantité de réfrigérant.
- 2) Les bouteilles doivent être maintenues debout.
- 3) Assurez-vous que le système de réfrigération soit mis à la terre avant de le charger avec du réfrigérant.
- 4) Étiquetez le système lorsque le chargement est terminé (si ce n'est déjà fait).
- 5) Un soin extrême doit être pris pour ne pas trop remplir le système de réfrigération.

Avant de recharger le système, il doit être testé sous pression avec OFN. Le système doit être testé concernant des fuites après le chargement et avant la mise en service. Un test de fuite de suivi doit être effectué avant de quitter le site.

9. Mise hors service

Avant d'exécuter cette procédure, il est essentiel que le technicien connaisse parfaitement l'équipement dans les détails. Il est recommandé, conformément aux bonnes pratiques, de récupérer tous les réfrigérants en toute sécurité. Avant l'exécution de la tâche, un échantillon d'huile et de réfrigérant doit être prélevé au cas où une analyse serait nécessaire avant de réutiliser le réfrigérant récupéré. Il est essentiel que l'alimentation électrique soit disponible avant le début de la tâche.

- 1) Familiarisez-vous avec l'équipement et son fonctionnement.
- 2) Isoler le système électriquement.
- 3) Avant de commencer la procédure, assurez-vous que :
 - a) Un équipement de manutention mécanique soit disponible, si nécessaire, pour la

manipulation des bouteilles de réfrigérant.

- b) Tous les équipements de protection individuelle soient disponibles et utilisés correctement.
- c) Le processus de récupération soit supervisé à tout moment par une personne compétente.
- d) L'équipement de récupération et les bouteilles soient conformes aux normes en vigueur.
- 4) Pomper le reste de réfrigérant, si possible.
- 5) S'il n'est pas possible de faire le vide, créez un collecteur de sorte que le réfrigérant puisse être éliminé de différentes parties du système.
- 6) Assurez-vous que le cylindre soit situé sur la balance avant la récupération.
- 7) Démarrez l'appareil de récupération et utilisez-le conformément aux instructions du fabricant.
- 8) Ne pas trop remplir les bouteilles. (Pas plus de 80% de volume de charge liquide).
- 9) Ne dépassez pas la pression maximale de service du cylindre, même temporairement.
- 10) Lorsque les bouteilles ont été remplies correctement et que le processus est terminé, assurez-vous que les bouteilles et l'équipement soient retirés du site rapidement et que toutes les vannes d'isolement de l'équipement soient fermées.
- 11) Le réfrigérant récupéré ne doit pas être chargé dans un autre système de réfrigération à moins d'avoir été nettoyé et vérifié.

10. Étiquetage

L'équipement doit porter une étiquette indiquant qu'il a été mis hors service et vidé du réfrigérant. L'étiquette doit être datée et signée. Assurez-vous que l'équipement contienne des étiquettes indiquant que celui-ci contient du réfrigérant inflammable.

11. Récupération

Lorsque vous retirez du réfrigérant d'un système, que ce soit pour un entretien ou une mise hors service, il est recommandé de procéder à l'élimination de tous les réfrigérants en toute sécurité.

Lors du transfert de réfrigérant dans des bouteilles, veillez à n'utiliser que des bouteilles de récupération appropriées. Assurez-vous que le nombre correct de cylindres permettant de contenir la charge totale du système soit disponible. Tous les cylindres à utiliser sont désignés pour le réfrigérant récupéré et étiquetés pour ce réfrigérant (c'est-à-dire des cylindres spéciaux pour la récupération du réfrigérant). Les bouteilles doivent être équipées d'une soupape de surpression et de vannes d'arrêt associées en bon état de fonctionnement. Les bouteilles de récupération vides sont évacuées et, si possible, refroidies avant la récupération.

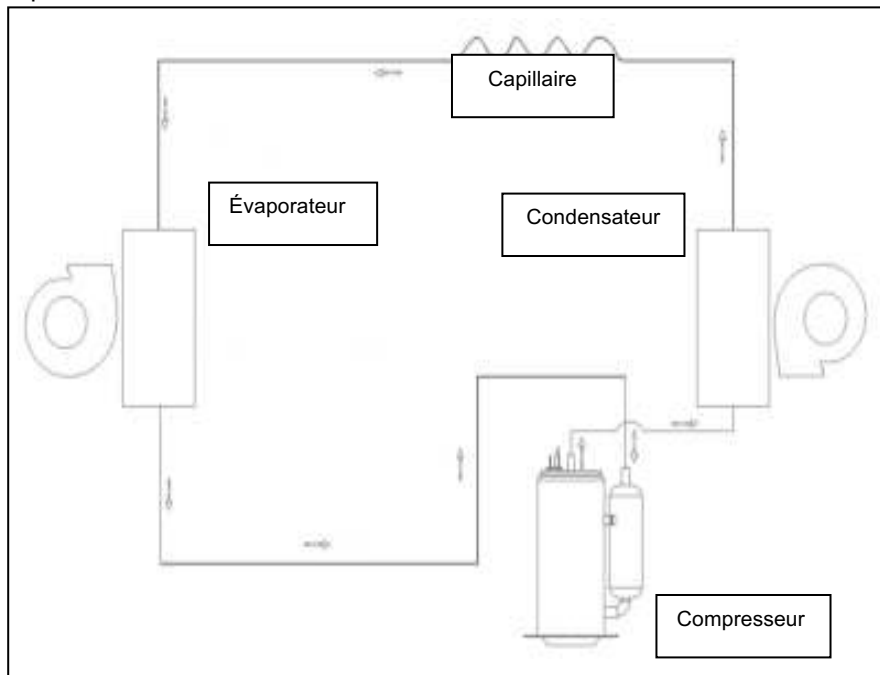
L'équipement de récupération doit être en bon état de marche avec un ensemble d'instructions concernant l'équipement disponible et doit être adapté à la récupération des réfrigérants inflammables. En outre, un ensemble de balances étalonnées doit être disponible et en bon état de fonctionnement. Les flexibles doivent être complets avec des raccords débranchés sans fuite et en bon état. Avant d'utiliser l'appareil de récupération, assurez-vous qu'il soit en bon état de fonctionnement, correctement entretenu et que tous les composants électriques associés soient étanches afin d'empêcher l'inflammation en cas de libération de réfrigérant. Consulter le fabricant en cas de doute.

Le réfrigérant récupéré doit être renvoyé au fournisseur dans la bouteille de récupération appropriée et la fiche de transfert de déchets correspondante doit être jointe. Ne mélangez pas

les réfrigérants dans les unités de récupération et en particulier dans les bouteilles.
Si les compresseurs ou les huiles de compresseur doivent être éliminées, assurez-vous qu'elles ont été évacuées de telle manière que le réfrigérant inflammable ne reste pas dans le lubrifiant. Le processus d'évacuation doit être effectué avant de renvoyer le compresseur au fournisseur. Seul un chauffage électrique du corps du compresseur doit être utilisé pour accélérer ce processus. Lorsque l'huile est évacuée d'un système, elle doit être effectuée en toute sécurité.

Annexe

Schéma de principe du climatiseur



Pour plus de détails sur les paramètres techniques du modèle, reportez-vous à l'étiquette d'identification du produit.

ENVIRONNEMENT

ATTENTION :



Vous ne devez pas vous débarrasser de cet appareil avec vos déchets ménagers. Un système de collecte sélective pour ce type de produit est mis en place par les communes, vous devez vous renseigner auprès de votre mairie afin d'en connaître les emplacements. En effet, les produits électriques et électroniques peuvent contenir des substances dangereuses qui ont des effets néfastes sur l'environnement ou la santé humaine et doivent être recyclés. Le symbole ci-contre indique que les équipements électriques et électroniques font l'objet d'une collecte sélective, il représente une poubelle sur roues barrée d'une croix.

Adeva SAS / H.Koenig Europe - 8 rue Marc Seguin - 77290 Mitry Mory - France
www.hkoenig.com - sav@hkoenig.com - contact@hkoenig.com - Tél: +33 1 64 67 00 05

DEUTSCH

SICHERHEITSANWEISUNGEN

Vielen Dank, dass Sie sich für dieses neue Model der mobilen Klimaanlage entschieden haben. Bitte lesen Sie diese Bedienungsanleitung sorgfältig durch, bevor Sie dieses Gerät installieren und benutzen. Bewahren Sie bitte diese Anleitung als künftige Referenz sorgfältig auf.

Das in der mobilen Klimaanlage benutzte Kältemittel ist ein umweltfreundliches Kohlenwasserstoff R290. Dieses Kältemittel ist geruchlos und, im Vergleich zu anderen Kältemitteln, ist R290 ein ozonfreies Kältemittel.

Bitte lesen Sie die Anleitungen vor dem Gebrauch und der Reparatur.

Die in dieser Bedienungsanleitung dargestellten Abbildungen können sich von tatsächlichen Gegenständen unterscheiden. Beziehen Sie sich bitte auf die physischen Objekte.

WARNUNG

- Benutzen Sie keine Mittel, um den Abtauvorgang zu beschleunigen oder das Gerät zu reinigen, außer dieser, die von dem Hersteller empfohlen worden sind.
- Das Gerät sollte in einem Raum ohne kontinuierlich arbeitende Zündquellen aufbewahrt werden (wie z.B. offene Flammen, ein arbeitendes Gasgerät oder ein arbeitendes Elektroheizgerät).
- Stechen Sie das Gerät nicht durch und verbrennen Sie dieses nicht.
- Beachten Sie, dass Kältemittel keinen Geruch haben können.
- Das Gerät muss in einem Raum mit einer Bodenfläche größer als 12.5 m² installiert, bedient und aufbewahrt werden.
- Halten Sie jegliche notwendigen Öffnungen frei von Hindernissen.
- Die Wartung muss ausschließlich auf die von dem Hersteller empfohlene Weise erfolgen.
- Das Gerät muss in einem gut belüfteten Raum aufbewahrt werden, in dem die Raumgröße mit der für die Bedienung des Gerätes angegebenen

Nutzungsfläche übereinstimmt.

- Jegliche Personen, die an der Arbeit und Wartung des Kältemittelkreislaufs beteiligt sind, müssen über ein gültiges Zertifikat von der Industrie-anerkannten Bewertungsstelle verfügen, das diese berechtigt, Kältemittel gemäß der Industrie-anerkannten Bewertungsvorgabe sicher handzuhaben.
- Die Instandhaltung darf ausschließlich wie von dem Hersteller empfohlen durchgeführt werden. Die Wartung und Reparaturen, die eine Unterstützung von anderem geschulten Personal benötigen, müssen unter der Betreuung vonseiten einer Person erfolgen, die mit der Nutzung von entflammabaren Kältemitteln vertraut ist.
- Alle Betriebsvorgänge, die Sicherheitsmittel betreffen, dürfen ausschließlich von kompetenten Personen durchgeführt werden.
- Seien Sie vorsichtig und stoßen Sie das Gerät während einer Bewegung nicht an, um Leckagen in der Kühleitung zu vermeiden.



Entflammables Material. Dieses Gerät beinhaltet R290/ Propan- ein entflammables Kältemittel



Siehe Bedienungsanleitung



Lesen Sie das technische Handbuch



Siehe Bedienungsanleitung

Die maximale Dosierung des Kältemittels beträgt 260g.

HINWEISE:

- Die Klimaanlage ist ausschließlich für die Nutzung in Innenräumen geeignet, und darf zu anderen Zwecken nicht benutzt werden.
- Befolgen Sie lokale Rasterzusammenschaltungs-Regeln während der Installation der Klimaanlage und vergewissern Sie sich, dass das Gerät ordnungsgemäß geerdet ist. Falls Sie weitere Fragen über die elektrische Installation haben, befolgen Sie die Herstelleranweisungen und, wenn nötig, lassen Sie das Gerät von einem professionellen Elektrofachmann installieren.
- Platzieren Sie das Gerät auf einer flachen, trockenen Stelle und lassen Sie einen Abstand von 50cm zwischen der Maschine und umliegenden Objekten oder Wänden.
- Nachdem die Klimaanlage installiert wurde, vergewissern Sie sich, dass der Stecker intakt und richtig in der Steckdose eingesetzt ist, und platzieren Sie das Stromkabel ordentlich, um das Stolpern und Herausziehen des Steckers zu vermeiden.
- Setzen Sie keine Gegenstände in den Lufteinlass und den Auslass der Klimaanlage ein. Halten Sie den Einlass und den Auslass frei von Hindernissen.
- Wenn die Drainagerohre installiert sind, vergewissern Sie sich, dass die Drainagerohre ordnungsgemäß angeschlossen, und nicht verzerrt oder verbogen sind.
- Wenn Sie die oberen und unteren Windleitstreifen des Luftauslasses anpassen, gehen Sie mit diesen vorsichtig um, um die Beschädigung der Windleitstreifen zu vermeiden.
- Wenn Sie die Maschine umstellen, vergewissern Sie sich, dass diese sich in der aufrechten Position befindet.
- Die Maschine muss von Benzin, entzündbarem Gas,

Öfen und anderen Hitzequellen ferngehalten werden.

- Bauen Sie die Maschine nicht auseinander, reparieren und modifizieren Sie diese nicht willkürlich, da dies zu einer Fehlfunktion oder sogar Personen- und Sachschäden führen kann. Um Gefahren zu vermeiden, im Falle einer Fehlfunktion, lassen Sie das Gerät von dem Hersteller oder einer Fachkraft reparieren.
- Installieren Sie und benutzen Sie das Gerät nicht in Badezimmern oder anderen feuchten Umgebungen.
- Ziehen Sie den Stecker auf der Steckdose nicht heraus, um das Gerät auszuschalten.
- Platzieren Sie keine Tassen oder andere Gegenstände auf dem Gerätekörper, um das Verschütten von Wasser und anderen Flüssigkeiten in die Klimaanlage zu vermeiden.
- Benutzen Sie keine Insektensprays oder andere entflammenden Stoffe in der Nähe der Klimaanlage.
- Wischen oder reinigen Sie die Klimaanlage nicht mit chemischen Lösungsmitteln wie Benzin und Alkohol. Wenn Sie die Klimaanlage reinigen möchten, müssen Sie das Gerät vom Netz trennen und dieses mit einem befeuchteten weichen Tuch reinigen. Wenn die Maschine sehr schmutzig ist, reiben Sie diese mit einem milden Reinigungsmittel.
- Dieses Gerät ist nicht für Personen mit eingeschränkter Kapazität aufgrund körperlicher, geistiger oder sensorischer oder mangelnder Erfahrung und Kenntnisse (einschließlich Kindern) bestimmt, es sei denn, sie haben Anweisungen zur Verwendung des Geräts durch eine für ihre Sicherheit verantwortliche Person erhalten . und dass sie die Risiken verstehen. Kinder sollten beaufsichtigt werden, um sicherzustellen , dass sie nicht mit dem Gerät spielen.

- Bedienen Sie das Gerät nicht, wenn das Kabel oder der Stecker beschädigt ist, wenn es nicht richtig funktioniert, heruntergefallen ist oder anderweitig beschädigt wurde. Wenn das Stromkabel in jeglicher Weise beschädigt ist, darf es nur vom Hersteller, einer von ihm beauftragten Werkstatt oder einer ähnlich qualifizierten Person ersetzt werden, um Gefährdungen zu vermeiden.
- Das Gerät muss gemäß nationalen Verdrahtungsvorschriften installiert werden.
- Das Gerät darf nicht benutzt werden, wenn es fallen gelassen wurde, wenn auffällige Zeichen von Beschädigungen sichtbar sind oder wenn es undicht ist
- Dieses Gerät darf von Kindern ab 8 Jahren benutzt werden, sofern diese beaufsichtigt werden oder eine Einweisung in den sicheren Gebrauch des Geräts erhalten haben und die damit verbundenen Gefahren verstehen.
- Kinder dürfen das Gerät nur reinigen oder pflegen, wenn sie mindestens 8 Jahre alt sind und von einem Erwachsenen beaufsichtigt werden.
- Bewahren Sie das Gerät und das zugehörige Netzkabel außerhalb der Reichweite von Kindern unter 8 Jahren auf.
- Bei der Verwendung elektrischer Geräte sind stets Sicherheitsvorkehrungen zu treffen, um bei unsachgemäßer Verwendung die Gefahr von Bränden, elektrischen Schlägen und/oder Verletzungen zu vermeiden.
- Achten Sie darauf, dass die auf dem Typenschild angegebene Nennspannung mit Ihrer Netzspannung übereinstimmt Ihrer Installation. Wenn dies nicht der Fall ist, wenden Sie sich an den Händler und schließen Sie das Gerät nicht an.

- Lassen Sie das Gerät während des Betriebs niemals unbeaufsichtigt.
- Bitte halten Sie dieses Dokument bereit und geben Sie es im Falle einer Übertragung Ihres Gerätes an den zukünftigen Besitzer weiter.
- Das Gerät darf nicht benutzt werden, wenn es fallen gelassen wurde, wenn auffällige Zeichen von Beschädigungen sichtbar sind oder wenn es undicht ist.

TRANSPORT, MARKIERUNG UND LAGERUNG DES GERÄTES

1. Transport von Ausrüstung, die entflammbare Kältemittel beinhaltet
Einhaltung der Transportvorschriften
2. Markierung von Ausrüstung durch Zeichen
Einhaltung der lokalen Vorschriften
3. Entsorgung von Ausrüstung mit entflammbaren Kältemitteln
Einhaltung der nationalen Vorschriften
4. Lagerung von Ausrüstung/ Geräten
Die Lagerung der Ausrüstung muss gemäß der Herstelleranweisungen erfolgen.
5. Lagerung von verpackter (unverkaufter) Ausrüstung
Die Schutzverpackung für die Lagerung muss so entwickelt werden, dass eine mechanische Beschädigung der Ausrüstung in der Verpackung nicht zu einer Leckage der Kältemittelfüllung führen kann.
Die maximale zugelassene Anzahl der gelagerten Ausrüstung wird durch lokale Vorschriften bestimmt.
Das Gerät muss so aufbewahrt werden, dass eine mechanische Beschädigung vermieden werden kann.

Bemerkung:

Die optimalste Betriebsumgebungstemperatur zum Kühlen ist 17-35 ° C, und die optimalste Betriebsumgebungstemperatur zum Heizen ist 8-25 ° C.

Sicherungs- Parameter: $\phi 5.0 \times 20 \text{mm}$ 3.15A, 250Vac.

Das Gerät wird mit einem entflammbaren Gas R290 befüllt, die maximale Menge des Kältemittels beträgt 260g.

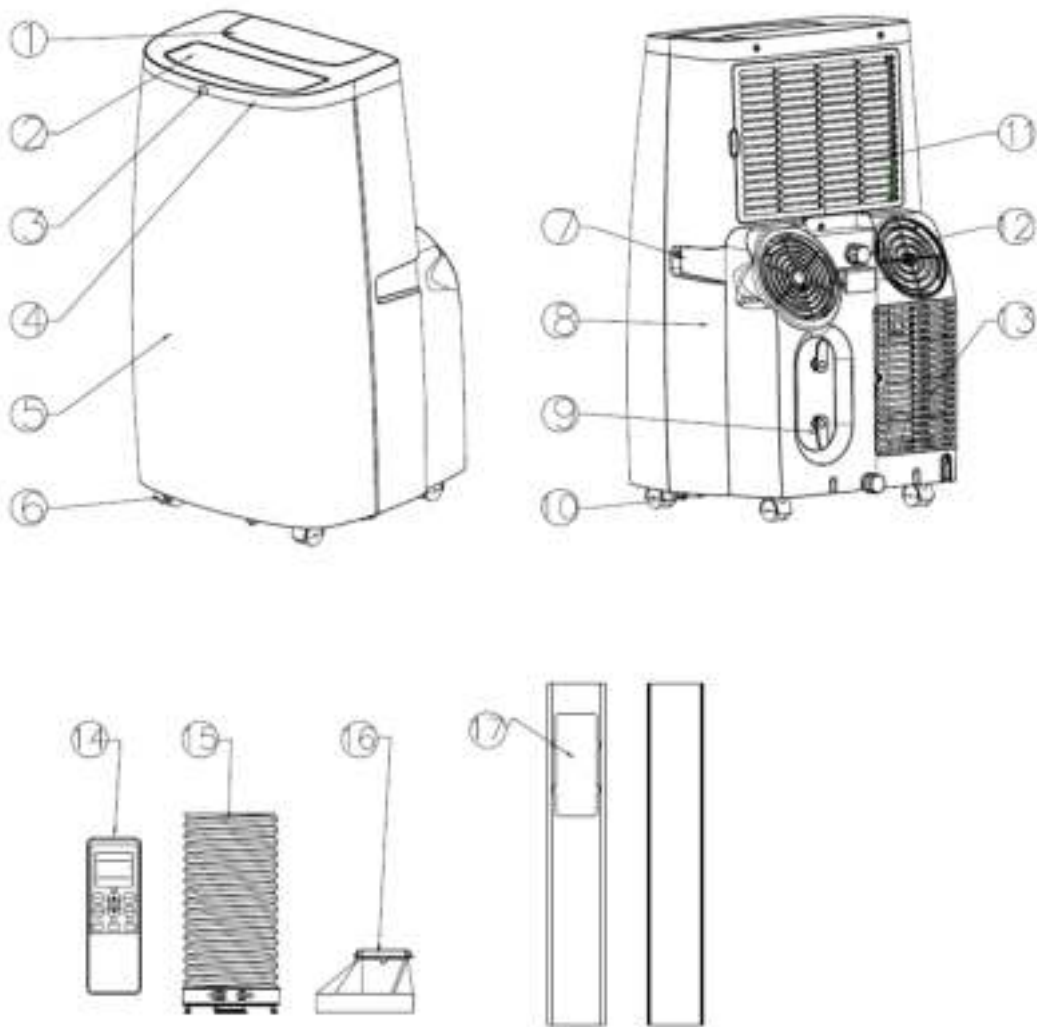
GWP-Wert von R290 Kältemittel ist 3.

Falls Sie jegliche Reparaturen benötigen, wenden Sie sich an das nächstliegende autorisierte Servicezentrum und befolgen Sie unbedingt nur die Herstelleranweisungen.

EIGENSCHAFTEN & BEZEICHNUNG DER TEILE

1. Eigenschaften
 - Neues Aussehen mit einem kompakten Design, luxuriöser und gehobener
 - Lüftungsschlitze pendeln automatisch und richten die Luftströmung je nach Verbraucherbedürfnissen.
 - Schönes und schlichtes Aussehen, humanisiertes Design für Fernsteuerungs-Ablage, die Fernbedienung kann in der Halterung auf der Rückseite des Gerätes platziert werden.
 - Einfache Bedienung, LED Bedienfeld mit einer Digitalanzeige und high-end LCD Fernbedienung.
 - Die Aufwickel-Pfeile und Universalsteckdose können Ihr Kabel besser schützen.
 - 24-Stunden Timer-Funktion, einzigartiger, musikalischer on/off Signalton
 - 3-minütige Neustart-Verzögerung, um den Kompressor zu schützen, und andere zahlreiche Schutzfunktionen.
 - Einzigartiger Abgasschlauch und Verschlüsse, eine einfache Installation.

2. Bezeichnung der Teile



- | | |
|------------------------------------|-----------------------------------|
| 1. Bedienfeld | 10. Chassis |
| 2. Horizontaler Lüftungsschlitz | 11. Oberer Filter-Baugruppe |
| 3. Fernbedienungs- Empfangsfenster | 12. Ablaufdeckel und Stöpsel |
| 4. Oberblende | 13. Untere Filter-Baugruppe |
| 5. Vordergehäuse | 14. Fernbedienung |
| 6. Universale Räder | 15. Rundstecker und Abgasschlauch |
| 7. Griff | 16. Adapter des Abgasschlauchs |
| 8. Hintergehäuse | 17. Fenster-Bausätze |
| 9. Aufwickel-Pfeile | |

Funktionen Und Einstellungen

1. Bedienfeld

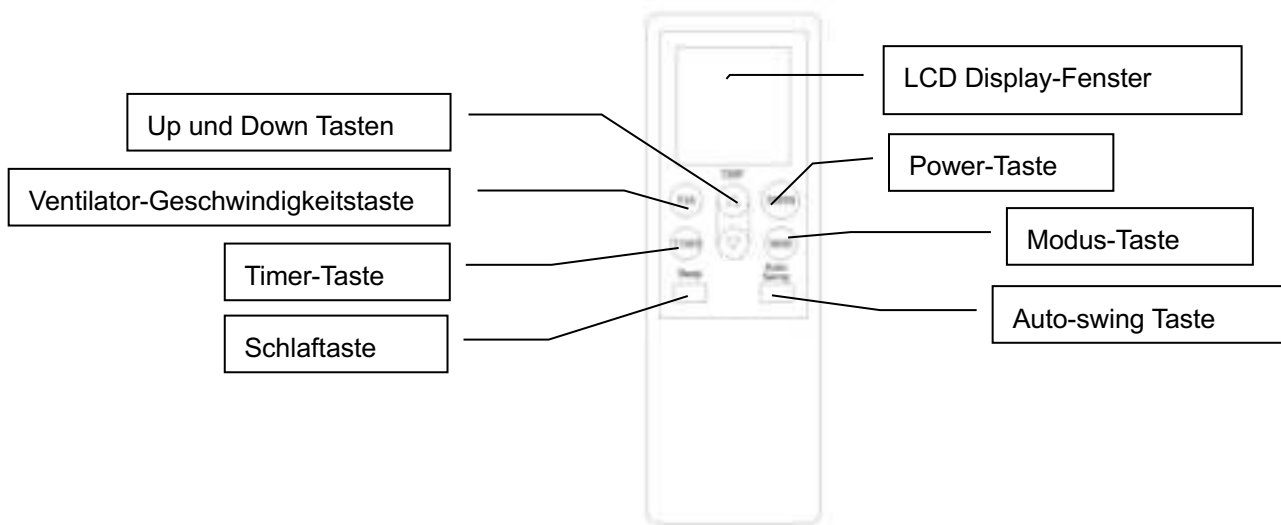
Dieser Abschnitt erklärt die sachgemäße Bedienung der mobilen Klimaanlage.



2. Funktion des Bedienfeldes

- A. Power-Taste: Drücken Sie auf die Power-Taste, die Power-Lichtanzeige wird grün aufleuchten; wenn das Gerät an ist, drücken Sie auf die Power-Taste, die Power-Lichtanzeige wird ausgehen (oder rot leuchten).
- B. Modus-Taste: Berühren Sie diese Taste, um den gewünschten Betriebsmodus einzuschalten und auszuwählen, alle Modi sind wie folgt aufgelistet COOL- BEFEUCHTUNG- VENTILATOR- HITZE (ausschließlich Kühlgeräte verfügen über keinen HITZE Modus).
- C. Ventilator-Taste: Drücken Sie auf diese Taste, um die Geschwindigkeit des Ventilators auf Hoch, Medium oder Niedrig einzustellen.
- D. Up-Taste: Drücken Sie auf die Up-Taste, um die eingestellte Temperatur oder die Zeit zu erhöhen.
- E. Down-Taste: Drücken Sie auf die Down-Taste, um die eingestellte Temperatur oder die Zeit zu verringern.
- F. Timer-Taste: Drücken Sie auf die Timer-Taste, um den Zeitablauf einzustellen, anzusehen oder zu stornieren.
- G. "Up" + "Down" Tasten: Drücken Sie gleichzeitig auf diese zwei Tasten, um die Display-Temperaturanzeige umzuschalten (Fahrenheit / Celsius).
- H. "Timer" + "Up" Tasten: Drücken Sie gleichzeitig auf diese zwei Tasten, um den Schlafmodus zu wählen.
- I. "Timer" + "Ventilator" Tasten: Drücken Sie gleichzeitig auf diese zwei Tasten, um die Pendelfunktion an oder auszuschalten.

3. Betrieb der Fernbedienung



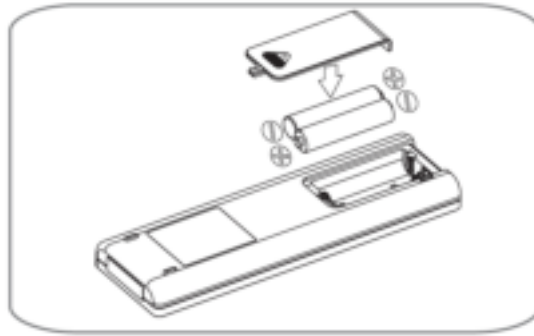
- 1) Power: Drücken Sie auf diese Taste, um das Gerät zu starten, wenn es an die Stromversorgung angeschlossen ist, und auszumachen, wenn es nicht im Betrieb ist.
- 2) Modus: Drücken Sie auf diese Taste, um den Betriebsmodus zu wählen.
- 3) Drücken Sie auf diese Taste, um die Umgebungstemperatur und die Timer-Einstellungen zu erhöhen.
- 4) Drücken Sie auf diese Taste, um die Umgebungstemperatur und die Timer-Einstellungen zu verringern.
- 5) Ventilator: Drücken Sie auf diese Taste, um die Ventilator-Geschwindigkeit in dieser Reihenfolge zu wählen: Niedrig-Medium-Hoch.
- 6) Auto-Swing: Drücken Sie auf diese Taste, um die Auto-Swing Funktion an und auszuschalten.
- 7) Schlaf: Drücken Sie auf diese Taste, um den Schlafmodus zu wählen/abzubrechen (funktioniert nur während des Kühlbetriebs und Energiesparmodus).
- 8) Timer: Drücken Sie auf diese Taste, um die AUTO-ON und AUTO-OFF Zeiten einzustellen. Die Zeitspanne kann zwischen 0,5 und 24 Stunden eingestellt werden. Das Gerät kann innerhalb von 5 Stunden mit einem 0,5 Stunden Intervall, oder jede Stunde innerhalb von 5 Stunden angehen. Die eingestellte Zeit wird 5 Mal auf dem Bildschirm erscheinen, dann kann die Einstellung bestätigt werden.

Bevor Sie Ihre Fernbedienung benutzen, setzen Sie die AAA Batterien in die Fernbedienung ein.

- 1) Drücken Sie auf die Batterieabdeckung auf der Rückseite der Fernbedienung und schieben Sie diese, um sie zu entfernen.
- 2) Setzen Sie zwei neue Alkaline AAA Batterien in das Batteriefach ein, berücksichtigen Sie dabei die richtige Polung.

Bringen Sie die Batterieabdeckung wieder an, vergewissern Sie sich, dass die Verriegelung richtig einrastet.

Berücksichtigen Sie bitte die richtige Polung Batterien



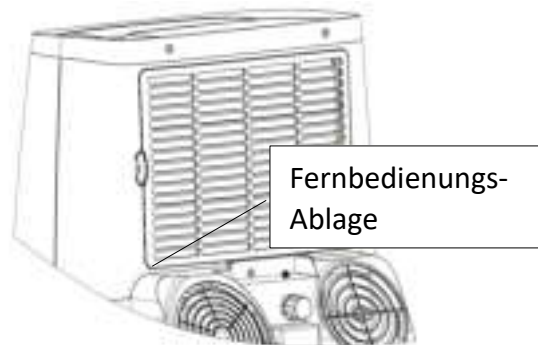
Hinweise:

- Benutzen Sie ausschließlich Alkaline Batterien. Benutzen Sie keine Akkus.
- Wenn Sie die Batterien ersetzen, ersetzen Sie immer beide Batterien durch die neuen, kombinieren Sie die neuen und die alten nicht.
- Wenn die Klimaanlage für eine längere Zeit nicht benutzt wird, entnehmen Sie die Batterien aus der Fernbedienung.

4. Lagerung der Fernbedienung

- 1) Setzen Sie die Fernbedienung in das integrierte Fach auf der linken Seite des Gerätes und schieben Sie diese vorsichtig, um sie zu befestigen.
- 2) Drücken Sie vorsichtig auf den unteren Teil des integrierten Faches, um dieses zu öffnen und die Fernbedienung zu entnehmen.

Hinweis: um den Verlust der Fernbedienung zu vermeiden, legen Sie die Fernbedienung bitte immer beim Nichtgebrauch in seine Ablage.



⚠️ WARNUNG

Wenn die Flüssigkeit aus den Batterien auf Ihre Haut oder Kleidung gelangt, spülen Sie diese sorgfältig mit sauberem Wasser aus; benutzen Sie die Batterien nicht, wenn diese eine Leckage aufweisen.

Wenn die Flüssigkeit aus den Batterien in Ihren Mund

gelangt, putzen Sie Ihre Zähne und wenden Sie sich an einen Arzt. Die Chemikalien aus Batterien können Verbrennungen oder andere Gesundheitsgefahren verursachen.

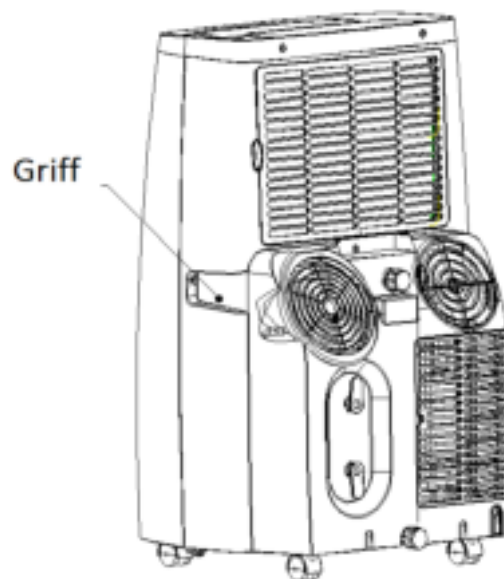
HANDHABUNG UND TRANSPORT

1. Das Gerät halten und umstellen

1) Halten Sie die Griffe auf beiden Seitenwänden, um das Gerät in der aufrechten Position umzustellen.

Hinweis:

- Halten Sie das Gerät in der aufrechten Position jedes Mal, wenn Sie das Gerät halten oder bewegen.
- Lassen Sie das Wasser in dem Gerät immer vollständig ab, um eine Wasserleckage und Nässe auf dem Fußboden oder Teppich vorzubeugen, bevor Sie das Gerät halten oder bewegen.
- Entnehmen Sie die Fernbedienung aus der Ablage und halten Sie diese.



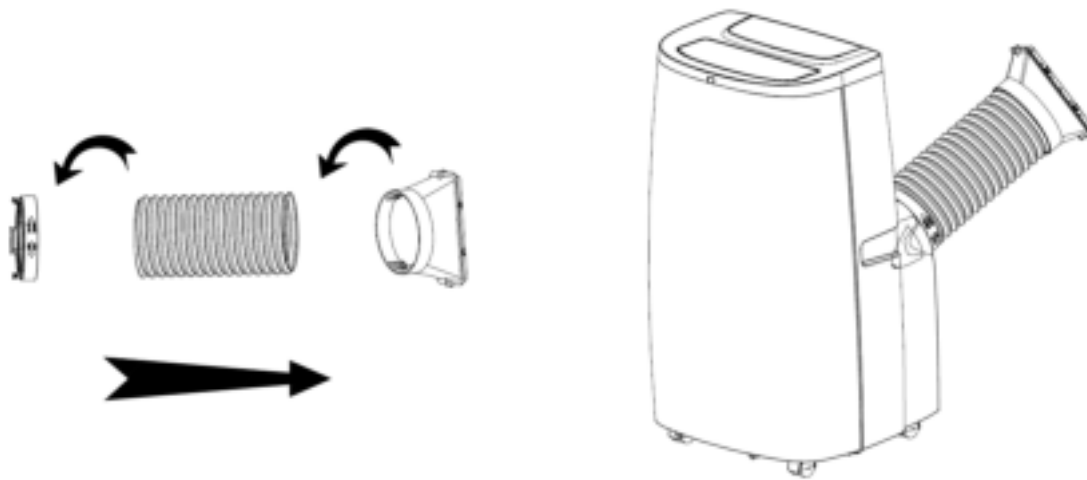
INSTALLATION & ANPASSUNG

1. Installation

Hinweise:

- Halten Sie diese mobile Klimaanlage in der aufrechten Position für mindestens 2 Stunden vor der ersten Montage.
- Diese Klimaanlage kann in Innenräumen einfach bewegt werden; halten Sie das Gerät in der aufrechten Position, während Sie dieses bewegen. Die Klimaanlage muss auf einer flachen Ebene platziert werden.
- Installieren und bedienen Sie diese Klimaanlage nicht in Badezimmern oder anderen feuchten Umgebungen.

1) Die Installation der Abgasschlauch-Baugruppe und ihres Adapters.



- A. Entnehmen Sie den Abgasschlauch, seinen Steckverbinder und den Adapter, um die Plastiktüte zu entnehmen.
- B. Dehnen Sie ein Ende des Abgasschlauchs aus, schrauben Sie das Ende des runden Steckverbinders ohne den Schlitz linksläufig auf dieses Ende, für mindestens 3 Umdrehungen.
- C. Dehnen Sie das andere Ende des Abgasschlauchs aus, schrauben Sie den Adapter auf dieses linksläufig für mindestens 3 Umdrehungen.

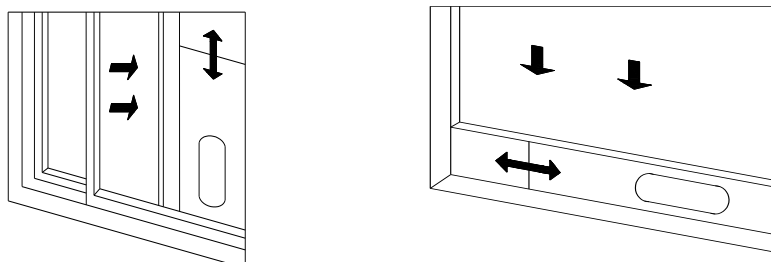
Hinweis: Schrauben Sie den runden Steckverbinder und den Adapter in die richtige Position, für mindestens 3 Umdrehungen, um eine gute Verbindung der Abgasschlauch-Baugruppe aufrechtzuerhalten.

2) Installation der Fenster-Versiegelplatte

- A. Öffnen Sie das Fenster zur Hälfte, setzen Sie die Versiegelplatte in das Fenster ein, entweder in einer senkrechten oder einer waagerechten Position.
- B. Weiten Sie die Teile der Versiegelplatte aus und passen Sie diese an die Länge des Fensters an, halten Sie beide Enden an den Fensterecken, dann befestigen Sie diese mit Schrauben.

Hinweis:

- Passen Sie beide Enden der Fenster-Versiegelplatte genau an die Fensterecken an, um eine gute Dichtwirkung zu sichern.
- Drehen Sie die Schrauben in die korrekte Position.

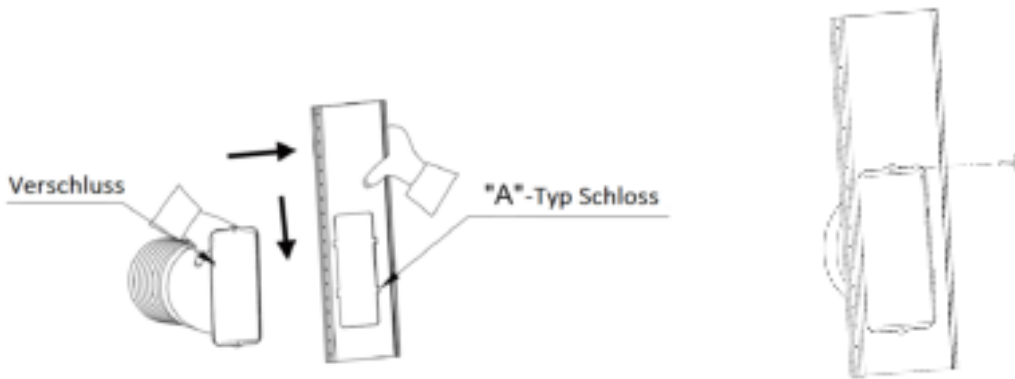


3) Installation des Gerätes

- A. Stellen Sie das Gerät mit der installierten Abgasschlauch-Baugruppe vor dem Fenster und halten Sie das Gerät mindestens 50 cm von Wänden und anderen Gegenständen fern.

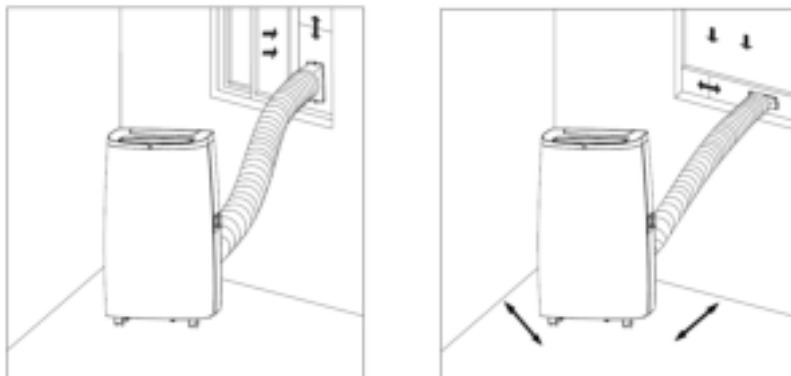


- B. Installieren Sie das rechteckige Ende der Abgasschlauch-Baugruppe in das entsprechende rechteckige Loch in der Versiegelplatte-Baugruppe des Fensters, befestigen Sie diese mit Schrauben und schließen Sie das Fenster.



Hinweis:

- Schieben Sie den Adapter nach unten und vergewissern Sie sich, dass dieser in der korrekten Position installiert ist.
- Stellen Sie sicher, dass die Ausrichtungen des schrägen Panels mit dieser von der Versiegelplatte übereinstimmt.
- Der Abgasschlauch kann nicht mehr als um einen 45° Winkel gebogen werden, um eine ordnungsgemäße Belüftung des Abgasschlauchs zu leisten.



Wichtige Hinweise:

Der Abgasschlauch ist 280mm-1500mm lang, und diese Länge wurde durch die Spezifikationen der Klimaanlage bestimmt. Verlängern Sie den Schlauch nicht und ersetzen Sie diesen nicht durch einen anderen Schlauch, da dies die Funktionen der Klimaanlage beeinträchtigen kann. Der Abgasschlauch muss glatt sein, sonst kann die Klimaanlage überhitzen und beschädigt werden.

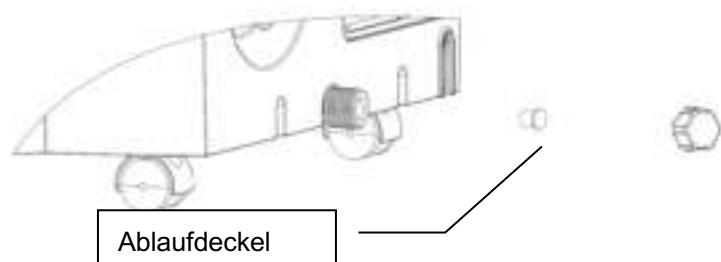
ENTWÄSSERUNGS-ANWEISUNGEN

1. Manuelle Entwässerung

- 1) Wenn das Gerät wegen der Wasser-Überfüllung ausgeht, schalten Sie das Gerät aus und ziehen Sie den Stecker.
- 2) Legen Sie eine Schale unter den Wasserauslass auf der Rückseite des Gerätes.
- 3) Schrauben Sie den Ablaufdeckel ab und ziehen Sie den Wasser-Stöpsel, um den Wasserfluss in die Schale zu ermöglichen.
- 4) Setzen Sie den Stöpsel wieder ein und schrauben Sie den Ablaufdeckel auf den Wasserauslass nach der Entwässerung.

Hinweis;

- Schützen Sie den Ablaufdeckel und den Wasser-Stöpsel sorgfältig.
- Bewegen Sie das Gerät vorsichtig, um einer Leckage vorzubeugen.
- Kippen Sie das Gerät bei der Entwässerung leicht nach hinten.
- Blockieren Sie das Wasserablaufloch sobald wie möglich, bevor die Schale voll ist, wenn die Schale nicht das ganze Wasser aus dem Gerät aufnehmen kann, um einer Wasserleckage und Nässe auf dem Fußboden oder Teppich vorzubeugen.
- Der Wasserstöpsel und der Ablaufdeckel müssen fest installiert werden, um dem Austreten des Kondenswassers und Nässe auf dem Fußboden oder Teppich vorzubeugen, wenn das Gerät neustartet.

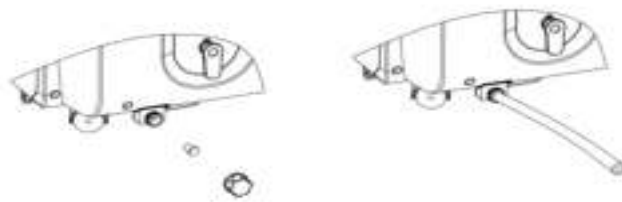


2. Dauerdrainage

- 1) Schrauben Sie den Ablaufdeckel ab und ziehen Sie den Wasserstöpsel.
- 2) Verbinden Sie das Wasserablaufloch mit einem $\phi 13\text{mm}$ Ablaufschlauch so tief wie möglich, um eine Leckage zu vermeiden.
- 3) Ziehen Sie den Ablaufschlauch in das Badezimmer oder nach draußen.

Hinweise:

- Der Ablaufschlauch muss installiert werden, wenn es kein Wasser in der Schale gibt.
- Es wird empfohlen, die Dauerdrainage nicht anzuwenden, wenn das Gerät in dem COOL Modus ist, um zu sichern, dass es genug Wasser für die Optimierung der Kühlwirkung in dem Gerät gibt.
- Verlegen Sie den Ablaufschlauch an einer nicht zugänglichen Stelle, nicht höher als das Entwässerungsloch, und halten Sie den Ablaufschlauch gerade ohne Biegungen.
- Halten Sie den Ablaufdeckel und seinen Stöpsel in einem guten Zustand, wenn Sie die Dauerdrainage anwenden.
- **Abflussrohre müssen getrennt gekauft werden.**



ZAHLEICHE SCHUTZFUNKTIONEN

1. Frostschutzfunktion

Bei dem COOL Modus, wenn der Kompressor ununterbrochen für mehr als 10 Minuten läuft und die Rohrtemperatur $\leq 2^{\circ}\text{C}/36^{\circ}\text{F}$ für 20 Sekunden ist, wird die Frostschutzfunktion angehen. E4 wird auf dem LCD-Display angezeigt, der Kompressor und der Wasserrad-Motor werden den Betrieb anhalten, aber der obere Ventilator funktioniert weiter; Wenn die Rohrtemperatur $\geq 8^{\circ}\text{C}/46^{\circ}\text{F}$ ist, wird die Frostschutzfunktion abgebrochen und der ursprüngliche Betriebszustand wiederhergestellt. Der Kompressor wird mit einer 3-minütigen Verzögerung aus Schutzgründen erneut starten.

2. Wasser-Überfüllung Sicherheitsalarm und Absperr-Schutzfunktion

Wenn der Wasserumfang die Alarmstufe in Chassis überschreitet, wird eine Warnung automatisch ertönen und ein Wasser-Überfüllungszeichen auf dem LCD-Display erscheinen. Sie müssen das Kondenswasser ablassen und das Gerät neustarten. (Für weitere Informationen über die Drainage, beziehen Sie sich bitte auf „Drainage-Anleitung“). Solange das Gerät nicht manuell ausgeschaltet wird, wird dieses den ursprünglichen Betriebszustand aufnehmen, sobald das Wasser vollständig abgelassen ist. Sie können das Gerät auch an die Stromversorgung anschließen, um dieses erneut zu starten.

3. Verzögerungs-Schutzfunktion für den Kompressor

Dieses Gerät bietet einen Neustart-Schutz für den Kompressor. Ausgenommen den Fall, wenn der Kompressor während der ersten Stromversorgung unverzüglich startet, gibt es eine 3-minütige Verzögerung-Schutzfunktion, nachdem der Kompressor abgeschaltet wurde.

WARTUNG UND SERVICE

Hinweis: Vergewissern Sie sich, dass Sie das Gerät ausgeschaltet und den Stecker gezogen haben, bevor Sie das Gerät warten oder es an das Servicezentrum schicken.

1. Oberflächenreinigung

- 1) Reinigen Sie die Oberfläche des Gerätes mit einem feuchten weichen Tuch, benutzen Sie keine chemischen Lösungsmittel wie z.B. Alkohol und Benzin, um Beschädigungen des Gerätes zu vermeiden.
- 2) Reinigen Sie den schmutzigen Luftauslass oder Lüftungsschlitze mit einem feuchten Tuch und Reinigungsmittel.
- 3) Die Nutzung jeglicher chemischen Lösungsmittel ist für die Reinigung des Gerätes oder ihre Lagerung in der Nähe des Gerätes für eine längere Zeit ist untersagt.
- 4) Jegliche Verdünner, Substanzen mit Alkohol oder ähnliche Lösungsmittel sind für die Reinigung des Gerätes untersagt.

2. Reinigung des Filters

Reinigen Sie den Filter jede zwei Wochen; wenn der Filter mit Staub verstopft ist, wird die Funktion des Gerätes beeinträchtigt.

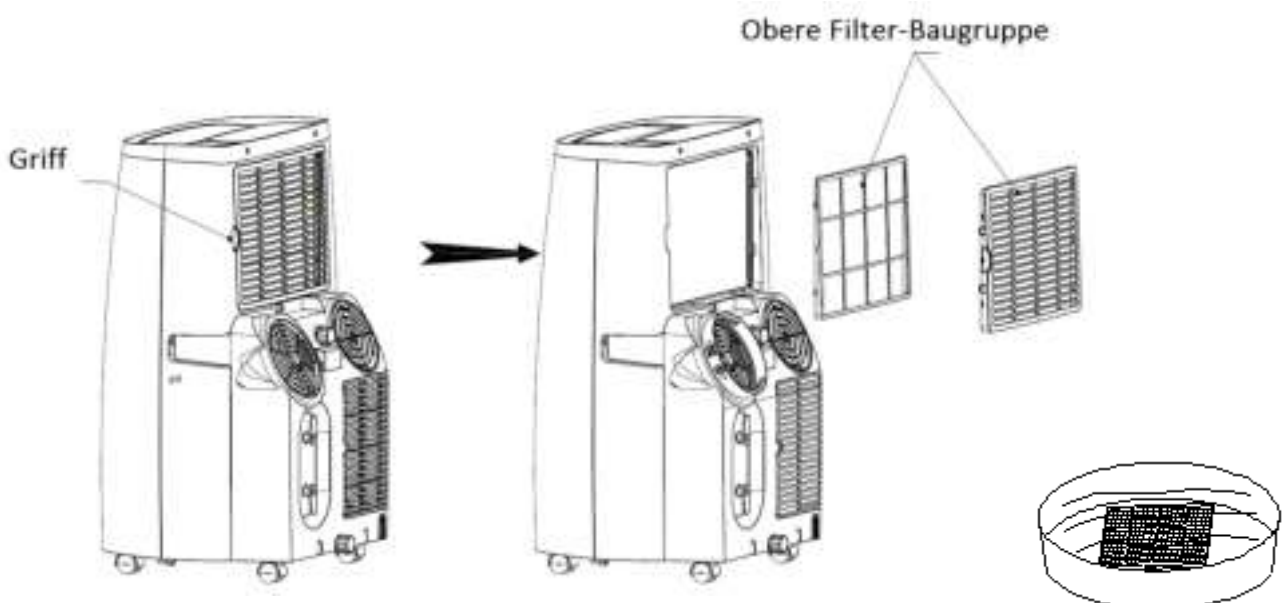
1) Reinigung des Filters

- A. Halten Sie den Filtergriff und ziehen Sie den Filter in die richtige Richtung heraus.
- B. Entfernen Sie die Schmutzpartikeln mit einem Reiniger, wenn nötig.
- C. Waschen Sie den Filter, indem Sie diesen in das warme

Wasser (ca. 40°C), vermischt mit einem neutralen Reiniger, tauchen, danach spülen Sie ihn ab und lassen Sie diesen im Schatten vollständig trocknen.

Hinweise:

- Ziehen Sie den Filter vorsichtig heraus.
- Es wird bevorzugt, den Filter von der Rückseite, nicht von der seitlichen Abdeckung, zu entnehmen, um jegliche Verdrehungen und Beschädigungen des Filters zu vermeiden.
- Zerquetschen Sie das Netz nicht.
- Schlagen Sie das Netz nicht mit scharfen Gegenständen oder einer Bürste.



3. Installation des Filters

Richten Sie das Ende des Filters auf den Schlitz aus, dann schieben Sie den Filter vorsichtig in den Schlitz.

Hinweise:

- Stellen Sie sicher, dass Sie den Filter in die seitliche Abdeckung, dann in die Rückseite des Gerätes installieren.
- Installieren Sie den Filter, indem Sie diesen in die

entgegengesetzte Richtung als bei der Entnahme einsetzen.

- Installieren Sie den Filter vorsichtig, um die Beschädigung des Filters zu vermeiden.

4. Lagerung am Saisonende

- 1) Schrauben Sie den Ablaufdeckel ab und ziehen Sie den Stöpsel, um das Kondenswasser vollständig abzulassen. (Hinweis: der Neigungswinkel des Gerätes muss ≤ 30 Grad sein)
- 2) Lassen Sie das Gerät in dem Ventilator-Modus für einen halben Tag arbeiten, um das Innere des Gerätes vollständig zu trocknen, um eine Schimmelbildung zu vermeiden.
- 3) Schalten Sie das Gerät aus, ziehen Sie den Stecker, dann wickeln Sie das Stromkabel um die Aufwickel-Pfeile, setzen Sie den Stecker in das universale Befestigungsloch auf der Rückseite des Gerätes ein, installieren Sie den Wasser-Stöpsel und den Ablaufdeckel.
- 4) Entnehmen Sie die Hitze- Abgasschlauch-Baugruppe, reinigen und lagern Sie diese ordnungsgemäß.
Hinweise:
 - Halten Sie die Abgasschlauch-Baugruppe mit beiden Händen während der Entnahme.
 - Verschieben Sie die Verschlüsse auf der Abluftöffnung mithilfe Ihrer Daumen, dann ziehen Sie die Abgasschlauch-Baugruppe heraus.
- 5) Packen Sie die Klimaanlage sorgfältig in eine weiche Plastiktüte ein, stellen Sie diese auf einem trockenen Ort mit entsprechenden Entstaubungs-Maßnahmen ab, und bewahren Sie das Gerät außer Reichweite von Kindern

auf.

6) Entnehmen Sie die Batterien aus der Fernbedienung und bewahren Sie diese ordnungsgemäß auf.

Hinweis:

Vergewissern Sie sich, dass das Gerät an einem trockenen Ort aufbewahrt wird. Das gesamte Zubehör des Gerätes muss sicher zusammen gelagert werden.

FEHLERSUCHE

Überprüfen Sie bitte das Gerät und die untenstehenden Lösungsvorschläge, bevor Sie sich an professionelle Beratung wenden, aber versuchen Sie nie, das Gerät selbstständig auseinanderzubauen oder zu reparieren, dies kann Körper- und Sachschäden zur Folge haben.

Wenn ein nicht in der Tabelle aufgelistetes Problem stattfindet oder die empfohlene Lösung nicht funktioniert, kontaktieren Sie bitte eine professionelle Serviceeinrichtung.

Fehler	Ursache	Lösung
Das Gerät startet nicht	Stromausfall	Schließen Sie das Gerät an eine stromführende Steckdose an und schalten Sie dieses an
	Wasser-Überfüllungszeichen leuchtet	Lassen Sie das in dem Gerät angesammelte Wasser ab.
	Die Umgebungstemperatur ist zu niedrig/ zu hoch	Es wird empfohlen, dass Gerät bei der Temperatur zwischen 8-35°C zu benutzen.
	Die Raumtemperatur ist niedriger als die eingestellte Temperatur in dem Kühlmodus oder höher als die eingestellte Temperatur in dem Heizmodus.	Verändern Sie die eingestellte Temperatur.
Schwache Kühlwirkung	Es steht unter dem direkten Sonnenlicht.	Schließen Sie die Vorhänge
	Die Türe oder Fenster sind offen, es gibt viele Menschen oder andere Hitzequellen in dem Zimmer.	Schließen Sie die Tür oder die Fenster, entfernen Sie andere Hitzequellen, und stellen Sie zusätzliche Klimaanlage auf.
	Verschmutzter Filter	Reinigen oder ersetzen Sie das Filternetz.
	Der Lufteinlass oder der Luftauslass ist verstopft.	Entfernen Sie die Verstopfung.
Hoher Geräuschpegel	Das Gerät wurde auf einer unebenen Fläche platziert.	Stellen Sie das Gerät auf eine flache und feste Ebene um (dies kann den Lärm verringern)

Der Kompressor funktioniert nicht.	Initiierung des Überhitzungsschutzes	Warten Sie, bis die Temperatur gesunken ist, das Gerät wird automatisch neustarten.
Die Fernbedienung funktioniert nicht.	Die Entfernung ist zu weit.	Halten Sie die Fernbedienung näher zu der Klimaanlage und richten Sie diese auf den Signal-Rezeptor des Gerätes.
	Die Fernbedienung ist nicht auf den Signal-Rezeptor des Gerätes gerichtet.	
	Die Batterien sind leer	Ersetzen Sie die Batterien.
“E1” Code wird angezeigt	Störung des Leitungs-Temperatursensors	Überprüfen Sie den Leitungs-Temperatursensor und relevante Kreisläufe.
“E2” Code wird angezeigt	Störung des Umgebungs-Temperatursensors	Überprüfen Sie den Umgebungs-Temperatursensor und relevante Kreisläufe.
“E4” Code wird angezeigt	Antifrost-Schutz	Die Funktionen werden automatisch wiederhergestellt, sobald der Antifrost-Schutzvorgang abgeschlossen ist.
FL wird angezeigt	Wasserbehälter in Chassis ist voll	Lassen Sie das Kondenswasser ab und starten Sie das Gerät erneut.

1. Information zur Wartung

1) Kontrolle des Bereiches

Bevor Sie die Arbeiten an den Systemen anfangen, die entflammbare Kältemittel beinhalten, sind einige Sicherheitskontrollen nötig, um das Risiko einer Zündung zu minimieren. Während einer Reparatur des Kältemittelsystems, müssen die folgenden Vorsichtsmaßnahmen erfüllt werden, um die Arbeit an dem System durchzuführen.

2) Arbeitsvorgang

Der Arbeitsvorgang muss unter kontrollierten Bedingungen durchgeführt werden, um das Risiko zu minimieren, dass ein entflammbares Gas oder Dampf während des Arbeitsvorgangs vorhanden ist.

3) Allgemeiner Arbeitsbereich

Das gesamte Wartungspersonal und andere Mitarbeiter, die in dem Bereich tätig sind, müssen über die Art der ausgeführten Arbeit informiert werden. Die Arbeit in engen Räumen muss vermieden werden. Der Raum rund um den Arbeitsbereich muss abgegrenzt werden. Stellen Sie sicher, dass die Bedingungen innerhalb des Bereiches durch die Kontrolle über entflammbaren Materialien sicher gemacht worden sind.

4) Die Anwesenheit des Kältemittels überprüfen

Der Bereich muss vor und während der Arbeit mit einem passenden Kältemittel-Detektor überprüft werden, um sicherzustellen, dass der Techniker über die potenziell entflammbaren Atmosphären weiß. Vergewissern Sie sich, dass die benutzte Leckdetektions-Ausrüstung für die Nutzung mit entflammbaren Kältemitteln geeignet ist, z.B. dass diese nicht funkenbildend ist, ausreichend abgedichtet oder eigensicher ist.

5) Vorhandensein eines Feuerlöschers

Wenn jegliche Arbeiten an dem Kältemittel-Equipment oder anderen dazugehörigen Teilen durchgeführt werden, müssen angemessene Feuerlöschanlagen unmittelbar vorhanden sein. Bitte verfügen Sie über Trockenpulver oder CO2 Feuerlöscher innerhalb des Ladebereiches.

6) Keine Zündquellen

Jegliche Personen, die die Arbeiten an dem Kältemittelsystem durchführen, welche das Aussetzen des Rohrwerks mit entflammbareren Kältemitteln umfasst (oder die entflammbareren Kältemittel beinhalten), dürfen keine Zündquellen in so einer Weise benutzen, die zu einem Brand- oder Explosionsrisiko führen kann. Alle möglichen Zündquellen, einschließlich das Zigarettenrauchen, müssen ausreichend fern von der Installations-, Reparatur-, Entnahme- und Entsorgungsstelle gehalten werden, während deren das Kältemittel in die direkte Umgebung freigesetzt werden kann. Bevor die Arbeit stattfindet, muss der Bereich rund um das Equipment untersucht werden, um sicherzustellen, dass es keine Entzündungsgefahr besteht. „Rauchen Verboten“ Schilder müssen aufgestellt werden.

7) Belüfteter Bereich

Stellen Sie sicher, dass die Arbeiten in einem offenen oder ausreichend belüfteten Bereich durchgeführt werden, bevor Sie in das System eindringen oder jegliche Heißenarbeiten durchführen. Das Belüftungsgrad muss während des gesamten Zeitraums, indem die Arbeit durchgeführt wird, aufrechterhalten werden. Die Belüftung muss jedes freigesetzte Kältemittel auflösen und dieses vorzugsweise in die externe Atmosphäre vertreiben.

8) Kontrolle des Kältemittel-Equipments

Wenn elektrische Komponente ersetzt werden, müssen diese zu dem Zweck geeignet sein und für die richtige Spezifikation passen. Die Wartungs- und Serviceanweisungen des Herstellers müssen jederzeit befolgt werden. Im Zweifelsfall wenden Sie sich an die technische Abteilung des Herstellers für Unterstützung.

Die folgenden Kontrollpunkte müssen während Installationsarbeiten mit entflammbareren Kältemittel erfüllt werden:

- a) Die Größe der Ladung muss mit der Raumgröße, in dem die Kältemittel-beinhaltenen Teile installiert werden, übereinstimmen.
- b) Die Ventilationsanlage und Auslässe funktionieren ordnungsgemäß und werden nicht behindert.
- c) Wenn ein indirekter Kältemittelkreislauf benutzt wird, muss der Sekundärkreislauf auf die Anwesenheit des Kältemittels überprüft werden.
- d) Die Markierungen auf dem Gerät müssen sichtbar und lesbar bleiben. Die Markierungen und Zeichen, die nicht lesbar sind, sind auch nicht korrekt.
- e) Das Kältemittel-Rohr oder Komponente müssen in der Position installiert werden, wo diese jeglichen Stoffen unwahrscheinlicher ausgesetzt werden, die die Kältemittel-beinhaltenen Komponente korrodieren können, es sei denn die Komponente wurden aus Materialien hergestellt, die korrosionsresistent sind oder gegen Korrosion angemessen geschützt sind.

9) Kontrolle von elektrischen Geräten

Die Reparatur und Wartung von elektrischen Komponenten müssen anfängliche

Sicherheitskontrollen und Inspektionsverfahren beinhalten. Wenn es einen Fehler gibt, durch den die Sicherheit beeinträchtigt werden kann, darf keine elektrische Versorgung an den Kreislauf angeschlossen werden, bis der Fehler ordnungsgemäß behoben ist. Wenn dieser nicht sofort behoben werden kann aber die Arbeit fortgesetzt werden muss, muss eine passende Übergangslösung angewendet werden. Dies muss dem Besitzer des Equipments berichtet werden, damit alle Parteien informiert sind.

Anfängliche Sicherheitskontrollen müssen beinhalten:

- a) Die Kondensatoren müssen entladen werden: dies muss auf eine sichere Weise erfolgen, um die Möglichkeit einer Funkenbildung zu vermeiden.
- b) Stellen Sie sicher, dass alle spannungsführenden elektrischen Komponente und Verkabelungen während der Ladung, Rückgewinnung und Durchspülung des Systems nicht ausgesetzt sind.
- c) Stellen Sie sicher, dass es keine Kontinuität der Erdverbindung gibt.

2. Reparatur von abgedichteten Teilen

- 1) Während der Reparatur von abgedichteten Teilen müssen alle Elektrogeräte von dem Gerät, das Sie reparieren, getrennt werden, bevor Sie jegliche abgedichteten Hauben usw. entfernen. Wenn es absolut nötig ist, das Gerät während der Servicearbeit an die Stromversorgung anzuschließen, muss eine kontinuierlich funktionierende Form der Leckerkennung auf die kritischste Stelle angebracht werden, um Sie vor einer potenziell gefährlichen Situation zu warnen.
- 2) Bitte beachten Sie unbedingt, dass das Gehäuse während der Arbeit mit den elektrischen Teilen in keiner Weise verändert werden darf, die den Schutzgrad beeinflussen könnte. Dies beinhaltet eine Beschädigung des Kabels, eine übermäßige Anzahl der Anschlüsse, nicht in den originellen Spezifikationen angegebene Anschlussklemmen, eine Beschädigung der Dichtung, fehlerhafte Montage von Buchsen, usw. Vergewissern Sie sich, dass das Gerät sicher montiert ist.

Vergewissern Sie sich, dass die Dichtung oder Dichtungsmaterialien nicht abgetragen sind, so dass sie nicht mehr als Vorbeugung gegen das Eindringen von entflammaren Stoffen benutzt werden können.

Ersatzteile müssen mit den Herstellerspezifikationen übereinstimmen.

HINWEIS: Die Nutzung des Silikondichtstoffs kann die Leistung von manchen Arten der Leckerkennungssysteme behindern. Eigensichere Komponente müssen vor der Arbeit nicht isoliert werden.

3. Reparatur von eigensicheren Teilen.

Wenden Sie keine permanenten induktiven oder Kapazität-Lasten an dem Stromkreis an, ohne sicherzustellen, dass diese die für das benutzte Gerät erlaubte Spannung und Stromstärke nicht überschreiten.

Eigensichere Komponente ist die einzige Komponentenart, die in Anwesenheit einer

entflammbarer Atmosphäre repariert werden können. Die Prüfeinrichtung muss korrekt eingestellt sein.

Ersetzen Sie die Komponente ausschließlich durch von dem Hersteller angegebene Teile. Andere Teile können eine Entzündung von Kältemittel in der Atmosphäre durch eine Leckage verursachen.

4. Verkabelung

Überprüfen Sie, dass die Verkabelung keine Abnutzung, Korrosion, keinen Überdruck, keine Vibrationen aufweist, sich nicht auf scharfen Kanten befindet und keinen negativen Umweltauswirkungen ausgesetzt ist. Bei der Kontrolle berücksichtigen Sie bitte auch die Auswirkungen von Alterungsprozessen oder kontinuierlichen Vibrationen von Quellen wie z. B. Kompressoren oder Ventilatoren.

5. Erkennung von entflammbareren Kältemitteln

Unter keinen Umständen dürfen potenzielle Zündquellen für die Suche und Erkennung von Kältemittel-Leckagen verwendet werden. Ein Halogenid-Brenner (oder ein anderer Detektor, der offene Flamme benutzt) darf nicht benutzt werden.

6. Leckage-Erkennungsmethoden

Die folgenden Leckage-Erkennungsmethoden gelten als akzeptabel für Systeme, die entflammbarere Kältemittel beinhalten.

Elektronische Leckdetektoren sollten benutzt werden, um entflammbarere Kältemittel zu erkennen, aber ihre Empfindlichkeit könnte nicht ausreichend sein, oder eine Neukalibrierung benötigen (Detektionsgeräte müssen in einem Kältemittel-freien Bereich kalibriert werden.) Vergewissern Sie sich, dass der Detektor nicht als eine potenzielle Zündquelle dienen kann und für das verwendete Kältemittel passt. Leckdetektions-Geräte müssen auf den Prozentsatz von LFL des Kältemittels eingestellt und auf das benutzte Kältemittel kalibriert werden, wobei der passende Prozentsatz von Gas (Maximal 25 %) bestätigt werden muss. Leckdetektor-Flüssigkeiten können mit den meisten Kältemitteln benutzt werden, jedoch muss der Gebrauch von Reinigungsmitteln mit Chlor vermieden werden, da Chlor mit Kältemittel reagieren kann und das Rohrleitungssystem aus Kupfer angreifen kann.

Wenn eine Leckage unter Verdacht steht, müssen alle offenen Flammen entfernt/ gelöscht werden.

Wenn eine Kältemittel-Leckage gefunden wird, die das Hartlöten benötigt, muss das gesamte Kältemittel aus dem System entfernt werden oder in einem Teil von dem System, der von der Leckage entfernt ist, mithilfe von Absperrklappen isoliert werden. Sauerstofffreier Stickstoff (OFN) muss durch das System vor und während des Hartlötens gespült werden.

7. Entnahme und Räumung

Wenn Sie in den Kältemittelkreislauf für Reparaturen und zu jeglichem anderen Zweck eindringen, müssen konventionelle Prozeduren angewendet werden. Es ist jedoch wichtig, dass das optimale Verfahren angewendet wird, da die Entflammbarkeit berücksichtigt werden muss. Die folgenden Punkte sind zu beachten:

- 1) Entfernen Sie das Kältemittel.
- 2) Spülen Sie den Kreislauf mit einem Schutzgas.
- 3) Räumen Sie das System.
- 4) Spülen Sie den Kreislauf wiederholt mit einem Schutzgas.
- 5) Öffnen Sie den Kreislauf durch Schneiden oder Hartlöten.

Das Kältemittel muss in die richtigen Zylinder entleert werden. Das System muss mit OFN durchgespült werden, damit das Gerät wieder als sicher gilt. Der Vorgang könnte mehrmals wiederholt werden müssen. Druckluft oder Sauerstoff dürfen zu diesem Zweck nicht verwendet werden.

Die Durchspülung kann erreicht werden, indem man das Vakuum in dem System mit OFN bricht und das System mit OFN kontinuierlich befüllt, bis der Arbeitsdruckbereich erreicht ist. Dann erfolgt die Entlüftung in die Atmosphäre und schließlich der Abbruch zu einem Vakuum. Dieser Vorgang muss wiederholt werden, bis es kein Kältemittel innerhalb des Systems mehr gibt. Wenn die letzte OFN Ladung erfolgt ist, muss das System bis zum Atmosphärendruck entlastet werden, damit die Arbeiten durchgeführt werden können. Diese Prozeduren sind absolut notwendig, wenn das Hartlöten in dem Rohrleitungssystem stattfinden wird. Stellen Sie sicher, dass der Auslass für die Vakuumpumpe sich nicht in der Nähe von jeglichen Zündquellen befindet und es eine ausreichende Belüftung gibt.

8. Ladeverfahren

Zusätzlich zu konventionellen Ladevorgängen, müssen die folgenden Anforderungen befolgt werden.

- 1) Vergewissern Sie sich, dass bei der Nutzung von einer Ladeeinrichtung keine Verschmutzung des Kältemittels stattfindet. Schläuche und Leitungen müssen so kurz wie möglich sein, um die Menge des Kältemittels, das sie beinhalten, zu minimieren.
- 2) Zylinder müssen aufrecht aufbewahrt werden.
- 3) Stellen Sie sicher, dass das Kühlsystem geerdet ist, bevor Sie das System mit Kältemittel aufladen.
- 4) Beschriften Sie das System, wenn die Ladung abgeschlossen ist (wenn Sie es noch nicht gemacht haben).
- 5) Achten Sie besonders darauf, das System nicht zu überfüllen.

Vor der Ladung des Systems muss diese einer Druckprüfung mit OFN unterzogen werden. Das System muss nach der Ladung, aber vor der Inbetriebnahme leckgeprüft werden. Die zweite Dichtheitsprüfung wird vor dem Verlassen der Arbeitsstelle durchgeführt.

9. Außerbetriebnahme

Bevor dieser Vorgang durchgeführt wird, ist es wichtig, dass der Monteur sich mit dem Gerät und seinen Spezifikationen komplett auskennt. Es wird empfohlen sicherzustellen, dass alle Kältemittel sicher entfernt sind. Bevor der Vorgang durchgeführt wird, muss eine Öl- und Kältemittelprobe entnommen werden, im Falle, wenn eine Analyse vor der Wiederverwendung von dem zurückgeführten Kältemittel benötigt wird. Es ist wichtig, dass ein Zugang zur Stromversorgung vorhanden ist, bevor die Aufgabe aufgenommen wurde.

- 1) Lernen Sie das Gerät und seine Funktionen kennen.
- 2) Isolieren Sie das System elektrisch.
- 3) Bevor Sie mit dem Vorgang starten, stellen Sie sicher, dass:
 - a) Mechanische Handhabungsgeräte vorhanden sind, um, wenn nötig, Kältemittelflaschen zu halten.
 - b) Persönliche Schutzausrüstung vorhanden ist und korrekt eingesetzt wird.
 - c) Das Rückgewinnungsverfahren ununterbrochen von einer kompetenten Person betreut wird.
 - d) Die Rückgewinnungstechnologien und Zylinder entsprechenden Normen konform sind.
- 4) Entleeren Sie das Kältemittelsystem, wenn möglich.
- 5) Wenn ein Vakuum unmöglich ist, erstellen Sie eine Sammelleitung, so dass das Kältemittel von verschiedenen Systemteilen entfernt werden kann.
- 6) Vergewissern Sie sich, dass der Zylinder sich auf der Waage befindet, bevor die Wiedergewinnung stattfindet.
- 7) Starten Sie die Absaugmaschine und bedienen Sie diese gemäß den Herstelleranweisungen.
- 8) Überfüllen Sie die Zylinder nicht (nicht mehr als 80 % des Umfangs mit Flüssigkeit befüllen).
- 9) Überschreiten Sie den maximalen Arbeitsdruck des Zylinders nicht (auch vorübergehend).
- 10) Wenn die Zylinder korrekt befüllt worden sind und der Vorgang abgeschlossen ist, stellen Sie sicher, dass die Zylinder und das Equipment von der Stelle unverzüglich entfernt werden, und alle Absperrventile des Equipments verschlossen sind.
- 11) Abgesaugtes Kältemittel darf nicht in andere Kältemittel-Kreisläufe aufgeladen werden, es sei denn dieses wurde gereinigt und überprüft.

10. Beschriftung

Das Equipment muss beschriftet werden, wofür stehen muss, dass dieses außer Betrieb genommen und von dem Kältemittel entleert wurde. Die Beschriftung muss mit Datum versehen und unterschrieben werden. Vergewissern Sie sich, dass das Gerät über eine Beschriftung verfügt, wofür steht, dass es entflammbares Kältemittel beinhaltet.

11. Rückgewinnung

Wenn das Kältemittel aus dem System entfernt wird, entweder für Servicearbeiten oder die Außerbetriebnahme, wird es empfohlen sicherzustellen, dass alle Kältemittel sicher entfernt worden sind.

Bei der Übertragung des Kältemittels in Zylinder, vergewissern Sie sich, dass die passenden Absaugzylinder verwendet werden. Stellen Sie sicher, dass die richtige Anzahl von Zylindern vorhanden ist, um die gesamte Systemfüllung aufzunehmen. Alle zu benutzenden Zylinder müssen für gewonnenes Kältemittel geeignet sein und für dieses Kältemittel beschriftet werden (z.B. spezielle Zylinder für die Gewinnung des Kältemittels). Die Zylinder müssen mit einem Druckbegrenzungsventil und dazugehörigen Absperrventilen ausgestattet werden und in einem guten Zustand sein. Leere Absaugzylinder müssen herausgepumpt und, wenn möglich, abgekühlt werden, bevor die Rückgewinnung stattfindet.

Das Rückgewinnungs-Equipment muss in einem guten Zustand sein, Anweisungen bezüglich der benutzten Ausrüstung beinhalten und für die Rückgewinnung der entflammbaren Kältemittel geeignet sein. Zusätzlich muss eine geeichte Waage vorhanden und in einem guten Zustand sein. Schläuche müssen mit leckagefreien Trennkupplungen ausgestattet und in einem guten Zustand sein. Vor der Nutzung der Absaugmaschine, überprüfen Sie, ob diese in einem guten Zustand ist, ordnungsgemäß gewartet wurde und dass alle dazugehörigen elektrischen Komponente abgedichtet sind, um einer Zündung im Falle einer Kältemittel-Freisetzung vorzubeugen. Im Zweifelsfall lassen Sie sich von dem Hersteller beraten.

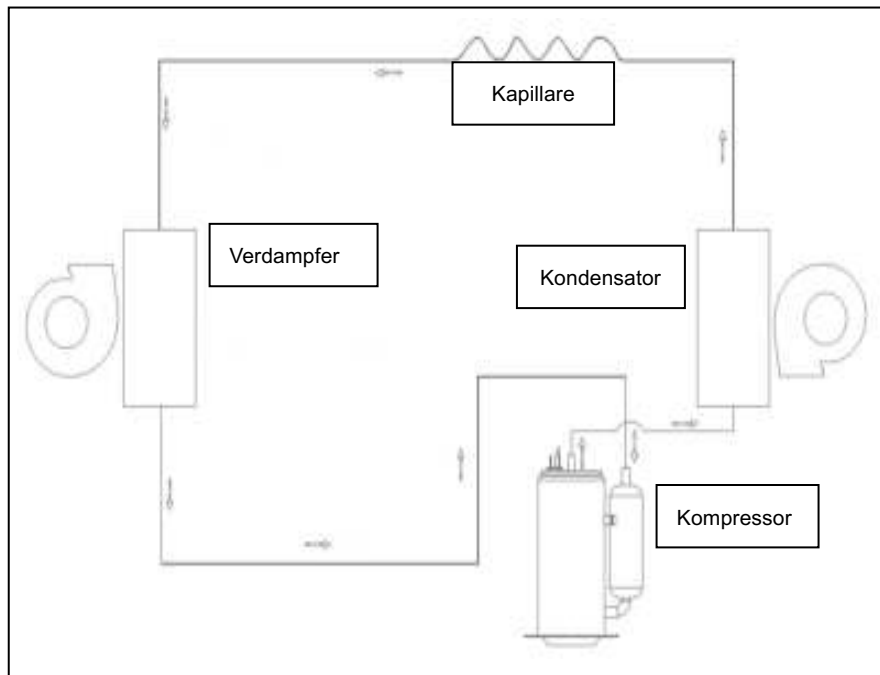
Das eingeholte Kältemittel muss dem Kältemittel-Lieferanten in einem richtigen Absaugzylinder und mit einem erstellten Entsorgungsnachweise zurückgegeben werden.

Vermischen Sie die Kältemittel in Absaugbehältern nicht, besonders nicht in Zylindern.

Wenn der Kompressor oder Kompressoröle entfernt werden, stellen Sie sicher, dass diese bis zu einer ausreichenden Stufe entleert worden sind, so dass entflammbares Kältemittel nicht innerhalb des Schmierstoffes bleibt. Der Entleervorgang muss vor der Rückgabe des Kompressors an den Lieferanten erfolgen. Ausschließlich die Elektroheizung darf an dem Gehäuse des Kompressors angewendet werden, um den Vorgang zu beschleunigen. Wenn das Öl aus dem System abgelassen wurde, darf der Vorgang sicher durchgeführt werden.

ANHANG

Schematische Darstellung der Klimaanlage



Für spezifische technische Parameter dieses Modells beziehen Sie sich auf das Typenschild des Produktes.

UMWELT

ACHTUNG:



Werfen Sie nicht dieses Produkt, wie es mit anderen Haushaltsprodukten hat. Es gibt eine Mülltrennung von diesem Produkt in Gemeinden, Sie müssen Ihre lokalen Behörden über die Orte, wo man dieses Produkt zurückgeben können zu informieren. In der Tat enthalten elektrische und elektronische Produkte gefährliche Stoffe, die schädliche Auswirkungen auf die Umwelt oder die menschliche Gesundheit haben und sollte recycelt werden. Das Symbol hier darauf hinweisen, dass elektrische oder elektronische Geräte sollten sorgfältig ausgewählt werden, ist ein fahrbarer Abfallbehälter mit einem Kreuz markiert.

Adeva SAS / H.Koenig Europe - 8 rue Marc Seguin - 77290 Mitry Mory - France
www.hkoenig.com - sav@hkoenig.com - contact@hkoenig.com - Tél: +33 1 64 67 00 05

NEDERLANDS

VEILIGHEIDSINSTRUCTIES

Bedankt voor het kiezen van het nieuwe model van de Draagbare Airconditioner. Lees voor installatie en gebruik eerst de gebruiks- en onderhoudshandleiding door. Bewaar deze gebruiks- en onderhoudshandleiding op een veilige plek voor toekomstig gebruik.

Het koudemiddel dat in de draagbare airconditioner wordt gebruikt is de milieuvriendelijke koolwaterstof R290. Dit koudemiddel is geurloos en in vergelijking met een alternatief koudemiddel is R290 ozonvrij. Lees voor gebruik en reparatie de handleiding zorgvuldig door. De tekeningen in deze handleiding kunnen mogelijk niet overeenkomen met de fysieke objecten. Raadpleeg de fysieke objecten.

WAARSCHUWING

- Gebruik geen middelen om het ontdooiproces te versnellen of om schoon te maken, anders dan aanbevolen door de fabrikant.
- Het apparaat moet in een ruimte worden geplaatst zonder werkende ontstekingsbronnen (bijvoorbeeld: open vuur, een werkend gastoestel of een werkende elektrische verwarming).
- Niet doorprikken of verbranden.
- Koudemiddelen kunnen geurloos zijn.
- Het apparaat moet worden geïnstalleerd, gebruikt en opgeslagen in een ruimte met een vloeroppervlak groter dan 12,5 m².
- Houd alle vereiste ontluchtingsopeningen vrij van obstakels.
- Onderhoud mag alleen worden uitgevoerd zoals aanbevolen door de fabrikant.
- Het apparaat moet worden geplaatst in een goed geventileerde ruimte waarbij de grootte overeenkomt met de ruimte die voor het gebruik is gespecificeerd.

- Elk persoon die is betrokken bij het werken aan of openen van een koudemiddelcircuit, dient in het bezit te zijn van een geldig certificaat van een door de industrie geaccrediteerde beoordelingsinstantie, die zijn of haar bekwaamheid autoriseert om koudemiddelen veilig te hanteren in overeenstemming met een door de industrie erkende beoordelingsspecificatie.
- Onderhoud mag alleen worden uitgevoerd zoals aanbevolen door de fabrikant van de apparatuur. Onderhoud en reparatie waarvoor de assistentie van ander deskundig personeel nodig is, moet worden uitgevoerd onder toezicht van de persoon die competent is in het gebruik van ontvlambare koudemiddelen.
- Alle werkprocedures die van invloed zijn op de veiligheidsmaatregelen mogen alleen door deskundige personen worden uitgevoerd.
- Vermijd stoten tijdens het verplaatsen om lekkage in de koelleiding te voorkomen.



Brandbaar materiaal. Dit Raadpleeg gebruikers-apparaat bevat R290/ Propaan een brandbaar koudemiddel



Dit Raadpleeg gebruikers-handleiding



Lees technische handleiding



Lees gebruikers-handleiding

De maximale dosering koudemiddel is 260 gr.

OPMERKINGEN:

- De airconditioner is alleen geschikt voor gebruik binnenshuis en is niet geschikt voor andere toepassingen.
- Volg de lokale netverbindingsregels tijdens het installeren van de airconditioner en zorg dat deze goed is geaard. Indien u vragen heeft over de elektrische installatie, volg de instructies van de fabrikant en vraag indien nodig een professionele elektricien om deze te installeren.
- Plaats de machine op een platte en droge plaats met een afstand van meer dan 50 cm tussen de machine en de omliggende objecten of muren.
- Nadat de airconditioner is geplaatst, steek de stekker in het stopcontact zit en zorg dat deze stevig is aangesloten. Plaats de stroomkabel op een ordelijke manier om te voorkomen dat iemand struikelt of de stekker eruit trekt.
- Stop geen objecten in de luchtinlaat en luchtuitlaat van de airconditioner. Houd de luchtinlaat en luchtuitlaat vrij van obstakels.
- De afvoerpijpen moeten bij de installatie correct worden aangesloten en niet worden vervormd of gebogen.
- Trek tijdens het afstellen van de bovenste en onderste windgeleidingsstrips van de luchtuitlaat, deze voorzichtig met beide handen om beschadiging van windgeleiderstrips te voorkomen.
- De machine dient bij verplaatsing rechtop te staan.
- Plaats de machine niet in de nabijheid van benzine, ontvlambaar gas, kachels en andere warmtebronnen.

- Demonteer, reviseer en wijzig de machine niet willekeurig. Dit kan een defect aan de machine veroorzaken of zelfs schade aan personen en eigendommen toebrengen. Is de machine defect, vraag dan de fabrikant of een professionele partij om reparatie om gevaar te voorkomen.
- Installeer en gebruik de airconditioner niet in de badkamer of andere vochtige omgevingen.
- Trek de stekker er niet uit om de machine te stoppen.
- Plaats geen bekers of andere objecten op de behuizing om te voorkomen dat water of andere vloeistoffen in de airconditioner terechtkomen.
- Gebruik geen insectenspray of andere vlambare stoffen in de buurt van de airconditioner.
- Poets of was de airconditioner niet met chemische oplosmiddelen zoals benzine en alcohol. Wanneer u de airconditioner wilt reinigen, dient u de stroomtoevoer af te sluiten en de airconditioner te reinigen met een vochtige zachte doek. Als de machine echt vies is, schoonmaken met een zacht schoonmaakmiddel.
- Dit apparaat is niet bedoeld voor gebruik door personen met een verminderd lichamelijk, mentaal of sensorisch vermogen of gebrek aan ervaring en kennis (inclusief kinderen), tenzij zij instructies hebben gehad om het apparaat te gebruiken door een persoon die verantwoordelijk is voor hun veiligheid gebruik van het en begrijp de gevaren die ermee gepaard gaan.
- Kinderen moeten onder toezicht staan om ervoor te zorgen dat ze niet met het Gebruik dit apparaat niet als het een beschadigde kabel of stekker heeft, het niet correct werkt of als het beschadigd is of is gevallen. Als

de stroomkabel beschadigd is, moet het worden vervangen door de fabrikant, klantenservice, servicemonteur of een gelijkwaardig gekwalificeerd persoon, om gevaren te vermijden.

- Het apparaat moet worden geïnstalleerd in overeenstemming met de nationale installatievoorschriften.
- Het apparaat mag niet worden gebruikt als het is gevallen, er zijn duidelijke tekenen van schade zichtbaar of er zijn lekken.
- Dit apparaat mag worden gebruikt door kinderen vanaf 8 jaar en ouder indien dit gebeurt onder toezicht, als zij van tevoren instructies hebben ontvangen betreffende het veilige gebruik van het apparaat en als zij de mogelijke gevaren kennen.
- Reiniging en onderhoud mogen niet worden uitgevoerd door kinderen tenzij ze 8 jaar of ouder zijn en onder toezicht van een volwassene staan.
- Houd het apparaat en het snoer buiten bereik van kinderen onder de 8 jaar.
- Bij het gebruik van elektrische apparatuur moeten altijd veiligheidsmaatregelen worden genomen om het risico van brand, elektrische schokken en/of letsel in geval van verkeerd gebruik te voorkomen.
- Controleer of de spanning op het typeplaatje overeenkomt met de spanning die op het typeplaatje staat van uw installatie. Als dit niet het geval is, neem dan contact op met de dealer en sluit het apparaat niet aan.
- Laat het apparaat nooit onbeheerd achter terwijl het in bedrijf is.

- Bewaar dit document bij de hand en geef het aan de toekomstige eigenaar in geval van overdracht van uw apparaat.
- Het apparaat mag niet worden gebruikt als het is gevallen, er zijn duidelijke tekenen van schade zichtbaar of er zijn lekken.

TRANSPORT, MARKERING EN OPSLAG VAN UNITS

1. Transport van apparatuur met ontvlambare koudemiddelen
Naleving van transportvoorschriften
2. Markering van apparatuur met tekens
Naleving van lokale voorschriften
3. Verwijdering van apparatuur met ontvlambare koudemiddelen
Naleving van nationale voorschriften
4. Opslag van apparatuur/apparaten
De opslag van apparatuur dient in overeenstemming te zijn met de instructies van de fabrikant.
5. Opslag van verpakte (onverkochte) apparatuur
De beveiliging van de opslagverpakking moet zodanig worden geconstrueerd dat mechanische schade aan de apparatuur in de verpakking geen lekkage van het koudemiddel zal veroorzaken.
De maximale hoeveelheid apparatuur dat gelijktijdig mag worden opgeslagen, wordt bepaald door lokale voorschriften.
Het apparaat moet worden opgeslagen om mechanische schade te voorkomen
Opmerking:

De beste omgevingstemperatuur voor koeling is 17-35 °C en de optimale omgevingstemperatuur voor verwarming is 8-25 °C.

Parameter zekering: ϕ 5.0x20mm 3.15A,250Vac.

Het apparaat is gevuld met ontvlambaar gas R290. De maximale hoeveelheid koudemiddel is 260 gr.

De GWP-waarde van het koudemiddel R290 is 3.

Neem voor elke reparatie contact op met het dichtstbijzijnde erkende servicecentrum en volg uitsluitend de instructies van de fabrikant op.

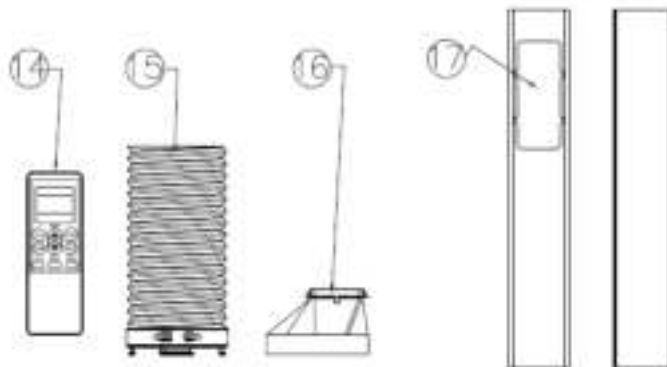
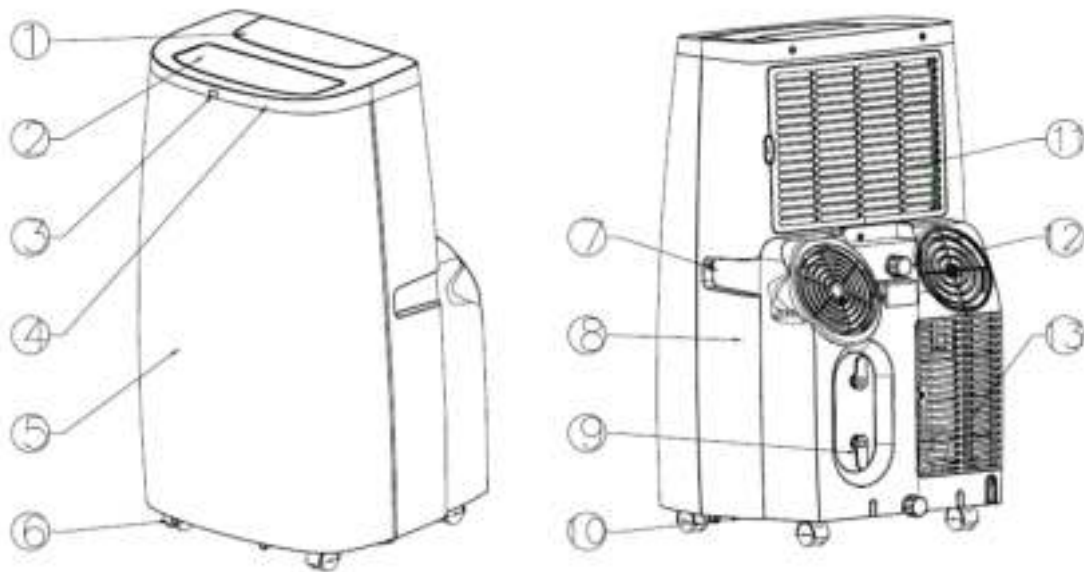
KENMERKEN EN IDENTIFICATIE VAN ONDERDELEN

1. Kenmerken
 - Nieuw uiterlijk met compact design en meer luxe.
 - De uitlaatklep draait automatisch en de windrichting is naar behoefte van de consument.
 - Mooi en eenvoudig uiterlijk, gehumaniseerd design met opbergruimte voor

afstandsbediening die kan worden geplaatst in een houder aan de achterkant van de unit.

- Eenvoudige bediening, digitaal bedieningspaneel met ledweergave en geavanceerde LCD-afstandsbediening.
- Kabelhaspel en universele contactdoos voor een betere bescherming van de stroomkabel.
- 24-uurs timerfunctie, unieke aan/uit herinneringsmuziek.
- 3 minuten vertraagde opstartbeveiliging voor compressor en andere beveiligingsfuncties.
- Unieke uitlaatslang en bevestigingsmiddelen, eenvoudige installatie.

2. Identificatie van onderdelen



- | | |
|---------------------------------------|-------------------------------------|
| 1. Bedieningspaneel | 10. Chassis |
| 2. Horizontale klep | 11. Bovenste filtereenheid |
| 3. Ontvangstvenster afstandsbediening | 12. Afvoerdekseel en stop |
| 4. Bovenpaneel | 13. Onderste filtereenheid |
| 5. Voorkant kast | 14. Afstandsbediening |
| 6. Universele wieltjes | 15. Ronde connector en uitlaatslang |
| 7. Handgreep | 16. Adapter van uitlaatslang |
| 8. Achterkant kast | 17. Vensterse |
| 9. Kabelhaspel | |

BEDIENING EN INSTELLINGEN

1. Bedieningspaneel

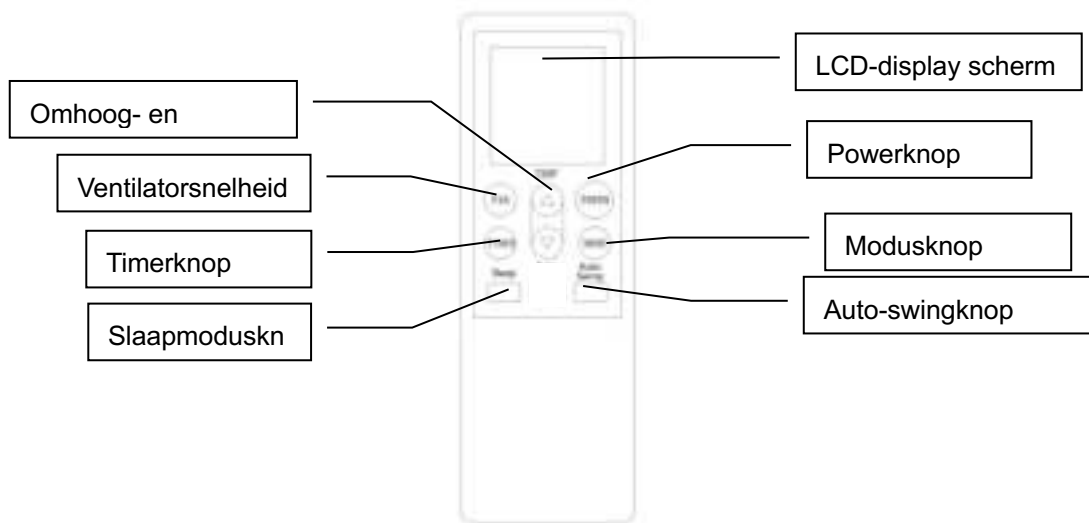
In dit gedeelte wordt een correcte bediening van de mobiele airconditioner uitgelegd.



2. Besturing bedieningspaneel

- A. Powerknop (POWER): druk op de powerknop, de stroomindicatielampjes lichten op in groen; wanneer het apparaat aan is, druk op de powerknop, de stroomindicatielampjes gaan uit (of rood).
- B. Modusknop (MODE): druk op deze knop om te kiezen en de gewenste werkmodus te selecteren. Alle modi veranderen van KOEL - DEHUM - VENTILATOR - WARMTE, waarbij het indicatielampje dienovereenkomstig oplicht (units die alleen koelen, hebben geen WARMTE-modus).
- C. Ventilatorknop (FAN): druk op deze knop om de snelheid van de ventilator te veranderen naar Hoog, Gemiddeld of Laag.
- D. Omhoogknop: druk op de omhoogknop om de ingestelde temperatuur of timing aan te passen.
- E. Omlaagknop: druk op de omlaagknop om de ingestelde temperatuur of timing aan te passen.
- F. Timerknop (TIMER): druk op de timerknop om de timing en de querytiming in te stellen en de timing te annuleren.
- G. "Omhoog" + "Omlaag" knop: druk tegelijkertijd op deze knoppen om de temperatuur op het display aan te passen (Fahrenheit / Celsius).
- H. "Timer" + "Omhoog" knop: druk tegelijkertijd op deze knoppen om de slaapmodus te selecteren.
- I. "Timer" + "Ventilator" knop: druk tegelijkertijd op deze knoppen om de swingfunctie aan of uit te zetten.

3. Bediening afstandsbediening



- 1) Power: druk op deze knop om de unit te starten wanneer het van spanning wordt voorzien of te stoppen wanneer het in werking is.
- 2) Modus: druk op deze knop om de bedieningsmodus te selecteren.
- 3) ⬆️: Druk op deze knop om de kamertemperatuur en de timersinstelling te verhogen.
- 4) ⬇️: Druk op deze knop om de kamertemperatuur en de timersinstelling te verlagen.
- 5) Ventilator: druk op deze knop om de ventilatorsnelheid in volgorde te selecteren: Laag → Gemiddeld → Hoog.
- 6) Auto-swing: druk op deze knop om de auto-swingfunctie aan of uit te zetten.
- 7) Slaapmodus: druk op deze knop om de slaapmodus te selecteren of te annuleren (alleen effectief onder koelende of energiebesparende modus).
- 8) Timer: druk op deze knop om AUTO-AAN en AUTO-UIT tijd in te stellen. Tijd kan worden aangepast tussen 0,5-24 uur. Het springt met een interval van 0,5 uur binnen 5 uur en een interval van 1 uur over 5 uur, de ingestelde tijd knippert 5 keer op het scherm en bevestig de instelling.

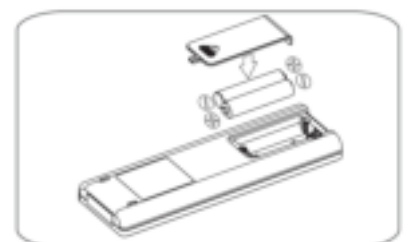
Installeer voor gebruik eerst de AAA-batterijen in de afstandsbediening.

- 1) Druk en schuif het batterijklepje aan de achterkant van de afstandsbediening om het klepje te verwijderen.
- 2) Plaats twee nieuwe alkaline AAA-batterijen in het batterijvak en zorg voor de juiste polariteit. Maak het batterijklepje weer vast en zorg dat het vergrendelinglipje op zijn plaats klikt.

Opmerkingen:

- Gebruik alleen alkaline batterijen.
Gebruik geen oplaadbare batterijen.

Let op de juiste polariteit van de batterijen

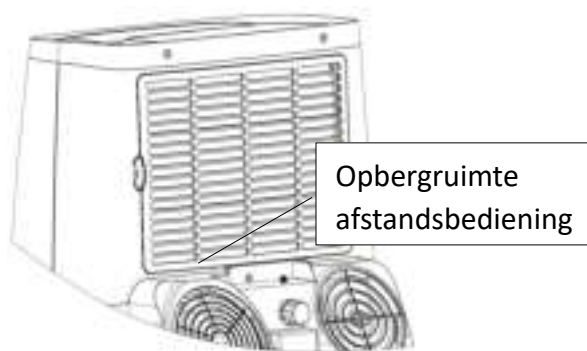


- Vervang altijd beide batterijen met nieuwe batterijen. Mix geen oude en nieuwe batterijen.
- Verwijder de batterijen uit de afstandsbediening als de airconditioner voor langere tijd niet wordt gebruikt.

4. Opbergen afstandsbediening

- 1) Plaats de afstandsbediening in het ingebouwde compartiment aan de linkerkant van de unit en druk deze voorzichtig in om te sluiten.
- 2) Druk zachtjes op het onderste gedeelte van het ingebouwde compartiment om deze te openen en de afstandsbediening uit te nemen.

Opmerking: plaats de afstandsbediening in de opbergruimte om deze niet kwijt te raken.



⚠ WAARSCHUWING

Als er vloeistof uit de batterijen op de huid of kleding terecht komt, was deze dan goed met schoon water. Gebruik de afstandsbediening niet als de batterijen lekken.

Als u vloeistof uit batterijen binnenkrijgt, poets dan uw tanden en raadpleeg een arts. De chemicaliën in batterijen kunnen brandwonden of andere gezondheidsrisico's veroorzaken.

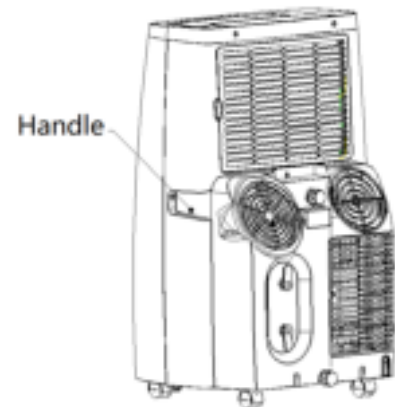
BEDIENING EN TRANSPORT

1. Handgreep en verplaatsing van de unit

1) Houd de grepen aan de zijkanten vast om de unit in een rechtopstaande positie te verplaatsen.

Opmerking:

- Houd de unit in een rechtopstaande positie bij bediening of bij verplaatsing.
- Voer het water in de unit volledig af om te voorkomen dat er water lekt en de vloer of het tapijt nat worden voordat u het apparaat bedient of verplaatst.
- Neem de afstandsbediening uit de opbergruimte en bewaar deze.

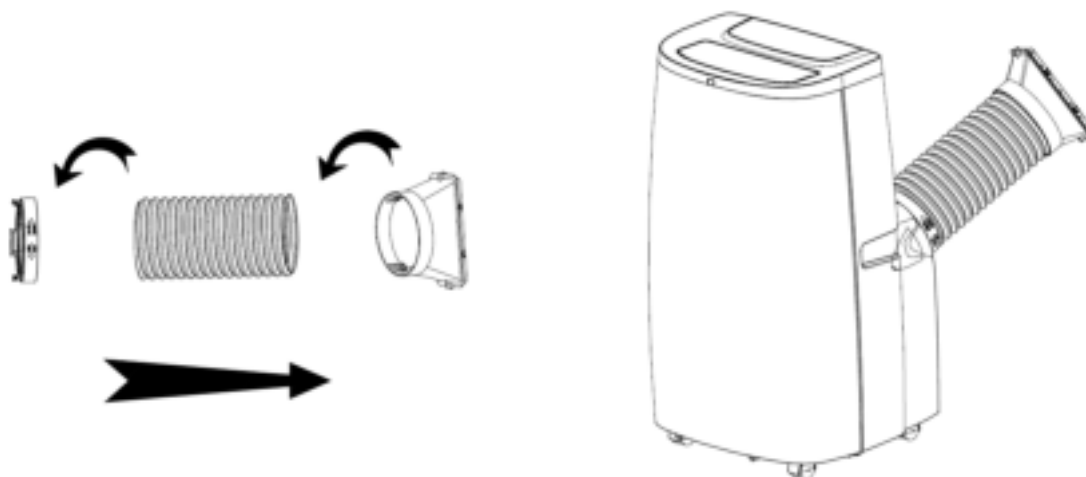


INSTALLATIE EN AFSTELLING

1. Installatie

Opmerkingen:

- Tenminste 2 uur voor de eerste installatie moet de mobiele airconditioner rechtop staan.
 - De airconditioner kan binnenshuis eenvoudig worden verplaatst: houd de unit in een rechtopstaande positie tijdens de verplaatsing. De airconditioner moet op een platte ondergrond worden geplaatst.
 - Installeer en bedien de airconditioner niet in de badkamer of andere vochtige omgevingen.
- 1) Installatie van uitlaatslangassemblage en de adapter.



- A. Haal de uitlaatslang, de connector en de adapter eruit en verwijder de plastic zak.
- B. Verleng één uiteinde van de uitlaatslang en schroef het uiteinde zonder gleuf in tenminste 3 slagen en tegen de klok in op de ronde connector.
- C. Verleng het andere uiteinde van de uitlaatslang en schroef in tenminste 3 slagen en tegen de klok in op de adapter.

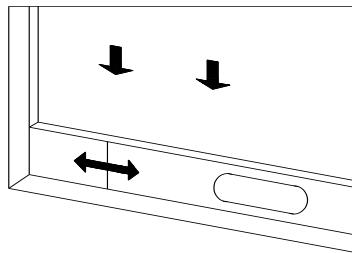
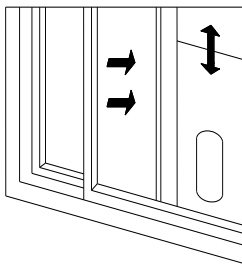
Opmerking: schroef de ronde connector en adapter in de juiste positie, in tenminste 3 slagen, voor een goede aansluiting van de uitlaatslangassemblage.

2) Installatie van de vensterafdichtingsplaat

- A. Maak het venster half open en zet de afdichtingsplaat in verticale of horizontale positie in het venster.
- B. Verleng de onderdelen van de afdichtingsplaat en pas deze aan de lengte van het venster aan. Houd beide uiteinden tegen de vensterrand en bevestig deze met schroeven.

Opmerking:

- Houd twee uiteinden van de vensterafdichtingsplaat goed tegen de vensterranden om een afdichtingseffect te verzekeren.
- Draai de schroef in de juiste positie.

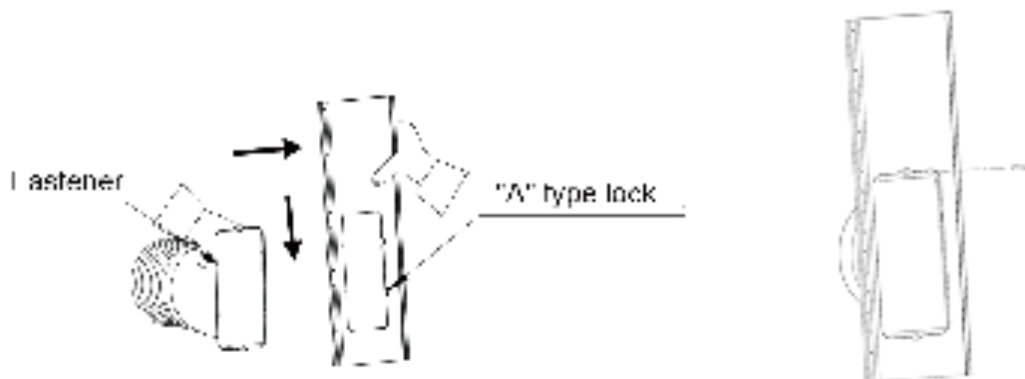


3) Installatie van de unit

- A. Verplaats de unit met de uitlaatslangassemblage voor het venster en houd de unit op minstens 50 cm afstand van muren of andere objecten.

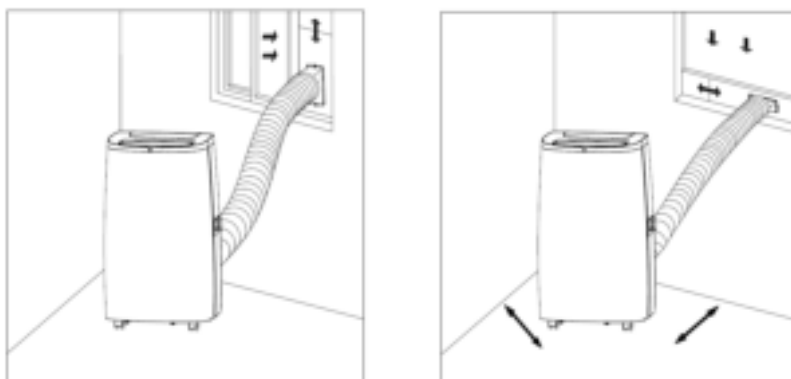


- B. Monteer het rechthoekige uiteinde van de uitlaatslangassemblage op het overeenkomstige rechthoekige gat in de vensterafdichtingsplaat, bevestig met een schroef en sluit het venster.



Opmerking:

- Schuif de adapter naar beneden en zorg ervoor dat de adapter op een goede positie is geïnstalleerd.
- Zorg dat de richting van het schuine paneel overeenkomt met de richting van de afdichtplaat.
- De uitlaatslang kan niet worden gebogen of niet verder dan 45°, om een goede ontluchting van de uitlaatslang te behouden.



Belangrijke opmerkingen:

de uitlaatslang is 280 mm - 1500 mm lang. Deze lengte is gebaseerd op de specificatie van de airconditioner(s). Gebruik de slang niet overmatig lang of vervang deze niet door andere slangen omdat dit de functies van de airconditioner kan beïnvloeden. De uitlaatslang moet glad zijn, anders kan de airconditioner oververhit raken en beschadigd worden.

AFVOERINSTRUCTIE

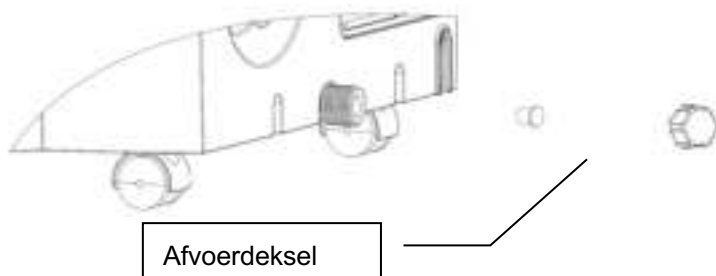
1. Handmatige afvoer:

- 1) Het apparaat stopt omdat het vol zit met water: schakel het apparaat uit en verwijder de stekker uit het stopcontact.
- 2) Plaats de bak onder de wateruitlaat aan de achterkant van de unit.
- 3) Schroef de afvoerdeksel eraf en haal de waterstop eruit om het water in de bak te laten lopen.
- 4) Steek na de afvoer de waterstop terug en schroef de afvoerdeksel stevig op de wateruitlaat.

Opmerkingen:

- Bescherm de afvoerafdeksel en waterstop op een correcte manier.
- Verplaats de unit voorzichtig om lekkage te voorkomen.
- Kantel de unit iets naar achteren tijdens de afvoer.
- Blokkeer het afvoergat zo snel mogelijk voordat de bak vol is om te voorkomen dat water lekt en de vloer of het tapijt nat worden.

- De waterstop en de afvoerafdeksel moeten goed worden geïnstalleerd om te voorkomen dat nieuw condensaat de vloer of het tapijt nat maakt wanneer de unit opnieuw begint te werken.

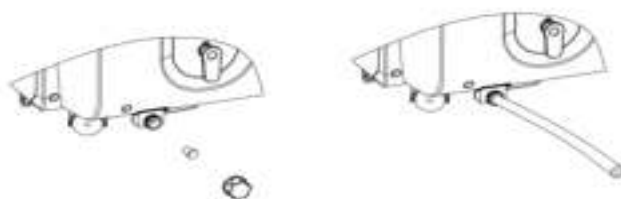


2. Continue afvoer

- 1) Schroef de afvoerdeksel eraf en haal de waterstop eruit.
- 2) Verbind het afvoergat zo diep mogelijk met $\phi 13\text{mm}$ afvoerslang om lekkage te voorkomen.
- 3) Trek de afvoerslang door naar de badkamer of naar buiten.

Opmerkingen:

- De afvoerslang moet worden geïnstalleerd als er geen water in de bak zit.
- Om voldoende water te recycleren in de unit om de koelingseffecten te verbeteren, wordt aangeraden om niet continue water af te voeren als de unit in de KOEL-modus staat.
- Plaats de afvoerslang op een onbereikbare plek, niet hoger dan de afvoeropening en houd de afvoerslang recht zonder enige buiging.
- Bewaar de afvoerdeksel en waterstop op een correcte manier wanneer water continu wordt afgevoerd.
- **De afvoerpijp dient afzonderlijk te worden gekocht**



MEERDERE BEVEILIGINGSFUNCTIES

1. Antivriesbeveiligingsfunctie

KOEL-modus: als de compressor langer dan 10 minuten continu werkt en als de buistemperatuur 20 seconden lang $\leq 2^{\circ}\text{C}/36^{\circ}\text{F}$ is, gaat de antivriesbeveiligingsfunctie aan, E4 wordt op het LCD-scherm weergegeven, de compressor en het waterwiel zullen stoppen maar de bovenste ventilator blijft in werking. Als de buistemperatuur $\geq 8^{\circ}\text{C}/46^{\circ}\text{F}$ is, stopt de unit de antivriesbeveiliging en herstelt het de oorspronkelijke werking. De compressor zal ter beveiliging herstarten met 3 minuten vertraging.

2. “Water vol”-veiligheidsalarm en afsluitbeveiliging

Wanneer het watervolume het alarmniveau in het chassis overschrijdt, dan klinkt een automatische waarschuwing en gaat het pictogram “water vol” op het LCD-scherm branden. Het condensaat moet worden afgevoerd en de unit opnieuw worden opgestart. (Voor meer informatie over afvoeren, raadpleeg "Afvoerinstructies"). Als de unit niet handmatig wordt uitgeschakeld, schakelt de unit automatisch naar de oorspronkelijke werkingstelling als het water volledig is afgevoerd. Of sluit de stroom aan om de unit opnieuw te starten.

3. Verdragende beveiligingsfunctie van compressor

Deze unit biedt herstartbeveiliging van de compressor. Behalve dat de compressor onmiddellijk kan starten wanneer de unit voor de eerste keer wordt ingeschakeld, is er een herstartbeveiliging van 3 minuten nadat de compressor is uitgeschakeld.

ONDERHOUD EN SERVICE

Opmerking: zorg dat de unit is uitgeschakeld en de stekker uit het stopcontact is voordat onderhoud of verzending naar het servicecentrum plaatsvindt.

1. Oppervlaktereiniging

- 1) Reinig het oppervlak van de unit met een natte, zachte doek en gebruik geen chemische oplosmiddelen zoals alcohol en benzine om schade aan de unit te voorkomen.
- 2) Maak de vieze luchtafvoer of kleppen schoon met een natte zachte doek en schoonmaakmiddel.
- 3) Het is verboden om een chemisch oplosmiddel te gebruiken voor de reiniging van de unit of om dergelijke producten lange tijd in de buurt van het apparaat te bewaren.
- 4) Elke verdunner, middelen met alcohol of andere vergelijkbare oplosmiddelen zijn verboden voor de reiniging van de unit.

2. Filterreiniging

Reinig de filter elke twee weken. De unitfunctie wordt beïnvloed als de filter verstopt is met stof.

1) Hoe de filter te reinigen

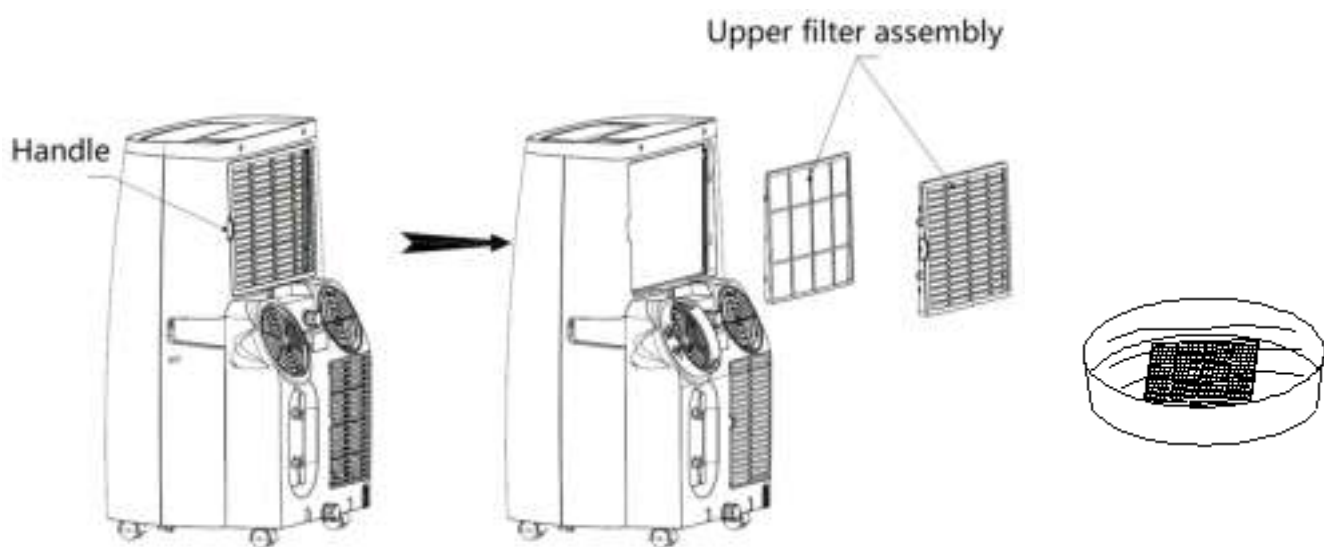
A. Pak de handgreep van de filter en trek deze voorzichtig in de juiste richting.

B. Reinig de vuile deeltjes in de filter met een cleaner als dit nodig is.

C. Dompel en was de filter voorzichtig in warm water (ongeveer 40°C) gemengd met een neutrale reiniger, spoel en droog deze vervolgens grondig.

Opmerkingen:

- Trek de filter er voorzichtig uit.
- Verwijdering van de filter op het achterpaneel heeft prioriteit in vergelijking tot de filter op het zijpaneel, om te voorkomen dat de filter draait of beschadigd raakt.
- Druk het gaas niet plat.
- Raak het gaas niet met scherpe voorwerpen of een borstel.



3. Installatie van de filter

Richt het uiteinde van de filter in de richting van de gleuf en druk de filter voorzichtig in de gleuf.

Opmerkingen:

- Installeer de filter op het zijpaneel en vervolgens op het achterpaneel.
- Installeer de filter in de tegenovergestelde richting van verwijdering.
- Installeer de filter voorzichtig op de plaats om schade te voorkomen.

4. Opslag bij einde van het seizoen

- 1) Schroef de afvoerdeksel eraf en trek de stop eruit om het condenswater volledig af te voeren. (Opmerking: de kantelhoek van de unit moet $\leq 30^\circ$ zijn).
- 2) Laat de unit een halve dag in ventilatiemodus draaien om de binnenkant van de unit volledig te drogen en om schimmel te voorkomen.
- 3) Schakel de unit uit, verwijder de stekker uit het stopcontact, wikkel de stroomkabel om de kabelhaspel, steek de stekker in het universele bevestigingsgat aan de achterkant van de unit en installeer de waterstop en de afvoerdeksel.
- 4) Verwijder de warmteuitlaatslangassemblage, reinig deze en bewaar naar behoren.

Opmerkingen:

- Houd de uitlaatslangassemblage tijdens het verwijderen met beide handen vast.
- Druk de bevestigingen op de luchtuitlaat met de duimen opzij en trek vervolgens de uitlaatslangassemblage naar buiten.

- 5) Plaats de airconditioner op correcte wijze in een zachte plastic zak, plaats deze op een droge stofvrije plek en houd de unit uit de buurt van kinderen.
- 6) Haal de batterijen uit de afstandsbediening en bewaar deze op correcte wijze.

Opmerking:

zorg dat de unit op een droge plaats wordt opgeslagen. Alle accessoires van de unit moeten op correcte manier bij elkaar worden gehouden.

PROBLEEMOPLOSSING

Controleer de unit en de onderstaande suggesties voordat u een professionele service inschakelt. Demonteer of repareer het apparaat nooit zelf omdat het schade aan u of uw eigendommen kan veroorzaken.

Als problemen niet in de tabel staan vermeld of aanbevolen oplossingen niet werken, neem dan contact op met een professionele service-organisatie.

Probleem	Oorzaak	Oplossing
De unit start niet op	Stroomonderbreking	Sluit de unit aan op een stopcontact en zet aan
	Water is vol en icoonverlichting	Opgeslagen water in de unit afvoeren
	Omgevingstemperatuur te laag of te hoog	Het wordt aanbevolen de unit de gebruiken tussen 8-35°C
	De kamertemperatuur is lager dan de ingestelde temperatuur in de koelmodus of hoger dan in de verwarmingsmodus	Verander de ingestelde temperatuur
Slechte koeleffecten	Er is direct zonlicht	Sluit de gordijnen
	De deuren en ramen staan open, de kamer is druk en er zijn andere warmtebronnen	Sluit deur en raam, verwijder andere warmtebronnen en plaats nieuwe airconditioners
	Vieze filter	Reinig of vervang het filtergaas
	Luchtinlaat of luchtuitlaat verstopt	Verwijder obstructie
Hoog geluidsniveau	De unit is geplaatst op een oneven ondergrond	Plaats de unit op een vlakke en stevige plaats (kan ruis verminderen)
De compressor werkt niet	Begin van beveiliging tegen oververhitting	Wacht totdat de temperatuur daalt, de unit zal automatisch herstarten
Afstandsbediening werkt niet	Te ver weg	Breng de afstandsbediening dichterbij de airconditioner en richt op de signaalontvanger op de unit
	De afstandsbediening is niet gericht op signaalontvanger op de unit	
	De batterijen geven geen stroom	Vervang de batterijen
Weergave "E1" code	Storing buistemperatuursensor	Controleer de buistemperatuursensor en bijbehorende circuits
Weergave "E2" code	Storing kamertemperatuursensor	Controleer de kamertemperatuursensor en bijbehorende circuits
Weergave "E4" code	Antivriesbeveiliging	Automatische hervatting van functies wanneer de antivriesbeveiliging voorbij is
Weergave FL	Watertank in het chassis is vol	Voer het condensaat af en start de unit opnieuw

1. Informatie over onderhoud

1) Controles

Alvorens met werkzaamheden aan systemen met brandbare koudemiddelen te beginnen, zijn veiligheidscontroles nodig om ervoor te zorgen dat het ontstekingsrisico tot een minimum wordt beperkt. Voor reparatie aan het koelsysteem moeten de volgende voorzorgsmaatregelen in acht worden genomen alvorens werkzaamheden aan het systeem uit te voeren.

2) Werkprocedure

De werkzaamheden moeten worden uitgevoerd volgens een gecontroleerde procedure om het risico op aanwezigheid van een ontvlambaar gas of damp te minimaliseren ten tijde van de werkzaamheden.

3) Algemeen werkgebied

Alle onderhoudspersoneel en personen die in de omgeving werken, moeten worden geïnstrueerd over de aard van de werkzaamheden die worden uitgevoerd. Werk in een besloten ruimten moet worden vermeden. Het gebied rond de werkruimte wordt afgezet. Zorg dat de omstandigheden in het gebied veilig zijn door controle op ontvlambaar materiaal te houden.

4) Controleer de aanwezigheid van koudemiddel

Het gebied moet voor en tijdens het werk worden gecontroleerd met een geschikte koudemiddeldetector, om te zorgen dat de technicus op de hoogte is van een potentieel ontvlambare atmosfeer. Zorg dat de gebruikte lekdetectieapparatuur geschikt is voor gebruik met ontvlambare koudemiddelen, d.w.z. niet-vonkend, adequaat afgesloten of intrinsiek veilig.

5) Aanwezigheid van brandblusser

Er moet een geschikte brandblusser aanwezig zijn als 'heet' werk wordt uitgevoerd aan de koelapparatuur of de daarmee samenhangende onderdelen. Zorg voor een droog poeder of CO₂ brandblusser naast het laadgebied.

6) Geen ontstekingsbronnen

Niemand die werkzaamheden uitvoert met betrekking tot een koudesysteem waarbij pijpwerk wordt blootgesteld dat brandbaar koudemiddel bevat, dient enige ontstekingsbron op zodanige wijze gebruiken dat dit kan leiden tot een risico op brand of ontploffing. Alle mogelijke ontstekingsbronnen, inclusief het roken van sigaretten, moeten voldoende verwijderd worden gehouden van de plaats van installatie, reparatie, verwijdering en afvoer, omdat het ontvlambare koudemiddel mogelijk naar de omringende ruimte kan worden vrijgegeven. Voorafgaand aan de werkzaamheden moet het gebied rond de apparatuur worden gecontroleerd om zeker te zijn dat er geen ontvlambare gevaren of ontstekingsrisico's zijn. "Niet Roken"-borden moeten worden weergegeven.

7) Geventileerde ruimte

Zorg dat in een open gebied wordt gewerkt of dat er voldoende ventilatie is voordat het systeem wordt opengemaakt of wanneer er sprake is van “heet”-werk. Ook tijdens het uitvoeren van werkzaamheden dient er een voldoende niveau van ventilatie te zijn. De ventilatie moet veilig elk vrijgekomen koudemiddel verspreiden en bij voorkeur het buiten in de atmosfeer verdrijven.

8) Controles op de koude-apparatuur

Wanneer elektrische onderdelen worden vervangen, moeten ze geschikt zijn voor het doel en de juiste specificatie. De onderhouds- en servicerichtlijnen van de fabrikant moeten te alle tijden worden gevolgd. In geval van twijfel, raadpleeg de technische dienst van de fabrikant voor assistentie.

De volgende controles moeten worden toegepast op installaties met ontvlambare koudemiddelen:

- a) De laadcapaciteit is in overeenstemming met de grootte van de ruimte waarin de onderdelen met koudemiddel zijn geïnstalleerd.
- b) De ontluuchttingsapparatuur en ontluuchttingsuitlaten werken adequaat en worden niet belemmerd.
- c) Als een indirect koudecircuit wordt gebruikt, moet het secundaire circuit op de aanwezigheid van koudemiddel worden gecontroleerd.
- d) De markering op de apparatuur blijft zichtbaar en leesbaar. Markeringen en tekens die onleesbaar zijn, moeten worden gecorrigeerd.
- e) Koudemiddelleidingen of -onderdelen worden geïnstalleerd in een positie waar het onwaarschijnlijk is dat ze worden blootgesteld aan stoffen die onderdelen van koudemiddelen kunnen aantasten, tenzij de onderdelen zijn vervaardigd van materialen die inherent bestand zijn tegen corrosie of die op geschikte wijze worden beschermd tegen corrosie.

9) Controles op elektrische apparaten

Reparatie en onderhoud van elektrische onderdelen omvatten initiële veiligheidscontroles en inspectieprocedures. Als een storing de veiligheid in gevaar zou kunnen brengen, mag er geen elektrische voeding op het circuit worden aangesloten voordat het probleem correct is afgehandeld. Als de storing niet onmiddellijk kan worden opgelost, maar het werk moet worden voortgezet, moet een passende tijdelijke oplossing worden gevonden. Dit moet worden gerapporteerd aan de eigenaar van de apparatuur, zodat alle partijen worden geadviseerd.

De eerste veiligheidscontroles omvatten:

- a) Condensatoren ontladen: dit moet op een veilige manier gebeuren om vonkvorming te voorkomen.

- b) Elektrische onderdelen en bedrading worden niet blootgesteld tijdens het opladen, herstellen of reinigen van het systeem.
- c) Continuïteit van aardeverbinding.

2. Reparaties aan verzegelde onderdelen

- 1) Tijdens reparaties aan verzegelde onderdelen moeten alle elektrische verbruikers worden losgekoppeld van de apparatuur voordat verzegelde deksels worden verwijderd, enz. Als het absoluut noodzakelijk is om tijdens onderhoud een stroomvoorziening te hebben naar het apparaat, moet een permanent werkende vorm van lekdetectie op het meest kritieke punt worden geplaatst om, in geval van een gevaarlijke situatie, een waarschuwing af te geven.
- 2) Bijzondere aandacht moet worden besteed aan het volgende: zorg dat de behuizing door werkzaamheden aan elektrische onderdelen niet zodanig wordt veranderd dat het beveiligingsniveau wordt beïnvloed. Dit omvat schade aan kabels, overmatig aantal aansluitingen, aansluitingen die niet zijn gemaakt volgens de oorspronkelijke specificatie, schade aan verzegelingen, onjuiste aansluiting, enz. Zorg dat het apparaat correct is bevestigd.

Zorg dat afdichtingen of afdichtingsmaterialen niet zodanig verslechteren dat deze niet langer het binnendringen van ontvlambare atmosfeer kunnen voorkomen.

Vervangende onderdelen moeten in overeenstemming zijn met de specificaties van de fabrikant.

OPMERKING: het gebruik van siliconenkit kan de effectiviteit van sommige soorten lekdetectieapparatuur verminderen. Intrinsiek veilige onderdelen hoeven niet te worden geïsoleerd voordat eraan wordt gewerkt.

3. Reparaties aan intrinsiek veilige onderdelen

Pas geen permanente inductieve of capaciteitsbelastingen toe op het circuit zonder ervoor te zorgen dat dit de toegestane spanning en stroom voor de gebruikte apparatuur niet overschrijdt.

Intrinsiek veilige onderdelen zijn de enige typen waaraan gewerkt kan worden in de aanwezigheid van een ontvlambare atmosfeer. Het testapparaat moet de juiste beoordeling hebben.

Vervang onderdelen alleen door onderdelen die door de fabrikant zijn geselecteerd. Andere onderdelen kunnen door een lek zorgen voor ontbranding van koudemiddel in de atmosfeer.

4. Bekabeling

Controleer of de bekabeling niet onderhevig is aan slijtage, corrosie, overmatige druk, trillingen, scherpe randen of andere nadelige milieueffecten. Bij de controle moet ook rekening worden gehouden met de effecten van veroudering of voortdurende trillingen van bronnen zoals compressoren of ventilatoren.

5. Detectie van brandbare koudemiddelen

Onder geen enkele omstandigheid mogen potentiële ontstekingsbronnen worden gebruikt bij het opsporen of detecteren van koudemiddellekken. Een halogeentoots (of een andere detector die een open vlam gebruikt) mag niet worden gebruikt.

6. Lekdetectiemethoden

De volgende lekdetectiemethoden worden toegepast voor systemen die ontvlambare koudemiddelen bevatten.

Elektronische lekdetectors worden gebruikt om ontvlambare koudemiddelen te detecteren. Mogelijk is de gevoeligheid niet adequaat of moet deze opnieuw worden gekalibreerd. (Detectieapparatuur moet worden gekalibreerd in een koudemiddelvrije ruimte.) Zorg dat de detector geen potentiële ontstekingsbron is en geschikt is voor het gebruikte koudemiddel. Lekdetectieapparatuur moet worden ingesteld op een percentage van de LFL van het koudemiddel en moet worden gekalibreerd op het gebruikte koudemiddel en het juiste percentage gas (maximaal 25%) wordt bevestigd.

Lekdetectievloeistoffen zijn geschikt voor gebruik met de meeste koudemiddelen. Het gebruik van chloorhoudende reinigingsmiddelen moet worden vermeden omdat chloor kan reageren met het koudemiddel en de koperen leidingen kan aantasten.

Als een lek wordt vermoed, moet al het open vuur worden verwijderd of gedoofd.

Als een lekkage van koudemiddel wordt geconstateerd waarbij solderen nodig is, dan moet al het koudemiddel uit het systeem worden verwijderd of worden geïsoleerd (door middel van afsluitventielen) in een deel van het systeem dat ver van het lek is verwijderd. Zuurstofvrije stikstof (oxygen free nitrogen: OFN) wordt zowel vóór als tijdens het soldeerproces door het systeem geblazen.

7. Verwijdering en ontruiming

Wanneer het koudemiddelcircuit wordt geopend om reparaties of andere werkzaamheden uit te voeren, moeten conventionele procedures worden gevolgd. Het is belangrijk dat de beste werkwijze wordt gevolgd, aangezien ontvlambaarheid een mogelijkheid is. De volgende procedure moet worden gevolgd:

- 1) Verwijder het koudemiddel.

- 2) Ontlucht het circuit met inert gas.
- 3) Afvoeren.
- 4) Ontlucht nogmaals met inert gas.
- 5) Open het circuit door snijden of solderen.

De koudemiddelvulling moet worden teruggewonnen in de juiste terugwincilinders. Het systeem moet worden "doorgespoeld" met OFN om de unit veilig te maken. Dit proces moet mogelijk meerdere keren worden herhaald. Perslucht of zuurstof mag niet voor dit proces worden gebruikt.

Spoelen werkt op de volgende manier: verbreek het vacuüm in het systeem met OFN en blijf vullen totdat de werkdruk is bereikt. Vervolgens ontluchten naar de atmosfeer en tenslotte naar een vacuüm trekken. Dit proces dient te worden herhaald totdat er geen koudemiddel meer in het systeem zit. Wanneer de laatste lading OFN wordt gebruikt, wordt het systeem ontlucht tot atmosferische druk om reparatie mogelijk te maken. Deze handeling is absoluut noodzakelijk als soldeerwerkzaamheden aan het leidingwerk moeten plaatsvinden.

Zorg dat de uitlaat voor de vacuümpomp niet in de buurt van ontstekingsbronnen staat en dat er voldoende ventilatie is.

8. Oplaadprocedures

Naast de gebruikelijke oplaadprocedures moeten de volgende voorschriften worden gevolgd.

- 1) Zorg dat verschillende koudemiddelen niet verontreinigen bij gebruik van de oplaadapparatuur. Slangen of leidingen moeten zo kort mogelijk zijn om de hoeveelheid koudemiddel te minimaliseren.
- 2) De cilindres moeten rechtop staan.
- 3) Zorg dat het koelsysteem geaard is voordat het systeem met koudemiddel wordt gevuld.
- 4) Label het systeem wanneer het opladen is voltooid (als dit nog niet is gebeurd).
- 5) Er moet uiterste zorg worden besteed bij het vullen, zodat het koelsysteem niet wordt overvuld.

Het systeem moet onder druk met OFN worden getest voordat het wordt opgeladen. Het systeem moet na voltooiing van het opladen en voor de inbedrijfstelling worden getest op lekkage. Een vervolgstest op lekken moet worden uitgevoerd voordat de ruimte wordt verlaten.

9. Buitengebruikstelling

Alvorens deze procedure uit te voeren, is het essentieel dat de technicus volledig bekend is met alle details van de apparatuur. Het wordt aanbevolen om alle koudemiddelen veilig

te recupereren. Voordat de taak kan worden uitgevoerd, moet een monster van de olie en het koudemiddel worden genomen in geval er analyse nodig is voordat het teruggewonnen koudemiddel wordt gebruikt. Het is essentieel dat elektrische stroom beschikbaar is voordat de procedure wordt gestart.

- 1) Raak bekend met de apparatuur en de werking ervan.
- 2) Isoleer het systeem elektrisch.
- 3) Zorg voordat de procedure wordt uitgevoerd dat:
 - a) Er, indien nodig, mechanische bewerkingsapparatuur beschikbaar is voor het hanteren van koudemiddelcilinders.
 - b) Alle persoonlijke beschermingsapparatuur beschikbaar is en correct wordt gebruikt.
 - c) Het terugwinproces te allen tijde wordt gecontroleerd door een deskundig persoon.
 - d) Terugwinapparatuur en cilinders voldoen aan de toepasselijke normen.
- 4) Pomp het koudemiddelsysteem zo mogelijk naar beneden.
- 5) Als een vacuüm niet mogelijk is, maak dan een spuitstuk zodat het koudemiddel uit verschillende delen van het systeem kan worden verwijderd.
- 6) Zorg dat de cilinder op de weegschaal staat voordat terugwinning plaatsvindt.
- 7) Start de terugwinmachine en volg de instructies van de fabrikant.
- 8) Vul de cilinders niet te vol. (Niet meer dan 80% vloeibaar volume).
- 9) Overschrijd de maximale werkdruk van de cilinder niet, ook niet tijdelijk.
- 10) Wanneer de cilinders correct zijn gevuld en het proces is voltooid, moeten de cilinders en de apparatuur snel van de locatie worden verwijderd en alle isolatiekleppen op de apparatuur worden afgesloten.
- 11) Teruggewonnen koudemiddel mag niet in een ander koudesysteem worden geladen tenzij het is gereinigd en gecontroleerd.

10. Labeling

Apparatuur moet worden gelabeld met de vermelding dat het buiten bedrijf is gesteld en het koudemiddel is geleegd. Het label moet worden gedateerd en ondertekend. Zorg dat labels op de apparatuur staan met de vermelding dat de apparatuur ontvlambaar koudemiddel bevat.

11. Terugwinning

Bij het verwijderen van koudemiddel uit een systeem, voor onderhoud of om buiten gebruik te stellen, wordt aanbevolen om alle koudemiddelen veilig te verwijderen. Zorg dat alleen geschikte koudemiddel terugwincilinders bij het overbrengen van koudemiddel naar cilinders worden gebruikt. Zorg dat het juiste aantal cilinders voor de totale systeemvulling beschikbaar is. Alle te gebruiken cilinders zijn bestemd voor het

teruggewonnen koudemiddel en gelabeld voor dat koudemiddel (d.w.z. speciale cilinders voor het terugwinnen van koudemiddel). Cilinders moeten compleet zijn met een overdrukventiel en bijbehorende afsluitkleppen, en in goede staat verkeren. Lege terugwincilinders worden afgevoerd en, indien mogelijk, afgekoeld voordat terugwinning plaatsvindt.

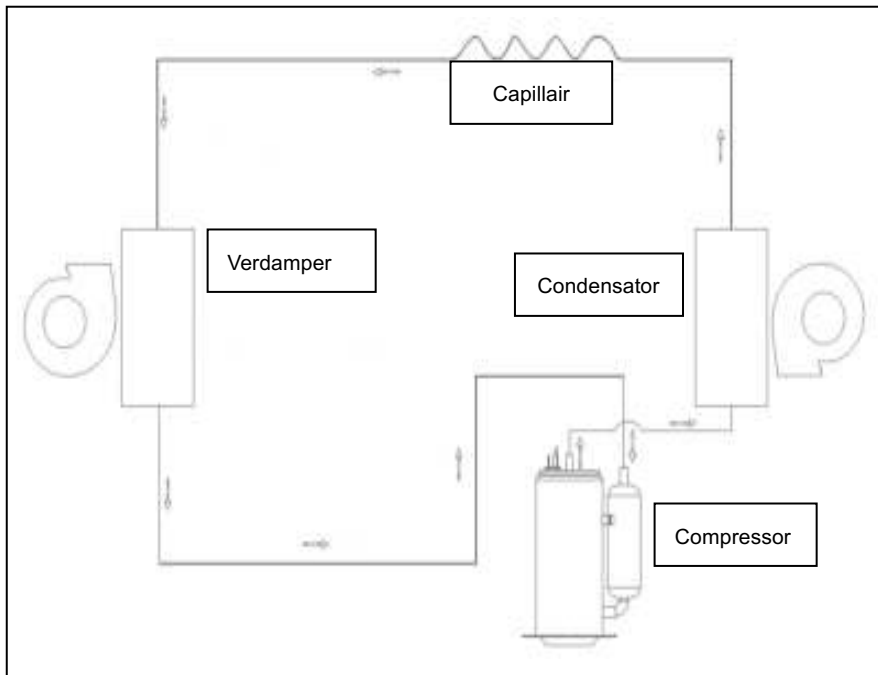
De terugwinapparatuur moet in goede staat verkeren met een set instructies en moet geschikt zijn voor het terugwinnen van ontvlambare koudemiddelen. Bovendien moet een set gekalibreerde weegschalen beschikbaar zijn en in goede staat verkeren. Slangen moeten compleet zijn met lekvrije losgemaakte koppelingen en in goede staat verkeren. Controleer voorafgaand aan het gebruik van de terugwinmachine of deze in goede staat is, goed onderhouden is en dat alle bijbehorende elektrische onderdelen zijn afgedicht om ontbranding te voorkomen in het geval er koudemiddel vrijkomt. In geval van twijfel, raadpleeg de fabrikant.

Het teruggewonnen koudemiddel wordt teruggestuurd naar de koudemiddelleverancier in de juiste terugwincilinder en de betreffende opgestelde afvalnotitie. Meng geen koudemiddelen in terugwinunits en vooral niet in cilinders.

Als compressoren of compressoroliën moeten worden verwijderd, zorgt dan dat deze zijn afgevoerd tot een aanvaardbaar niveau zodat dat er geen ontvlambaar koudemiddel in het smeermiddel achterblijft. Het proces moet worden uitgevoerd voordat de compressor aan de leverancier wordt teruggestuurd. Alleen elektrische verwarming bij de compressorbehuizing mag worden gebruikt om dit proces te versnellen. Wanneer olie uit een systeem wordt afgevoerd, moet dit op een veilige manier worden uitgevoerd.

BIJLAGE

Schematische tekening van de airconditioner



Raadpleeg het classificatielabel op het product voor specifieke technische parameters van het model.

MILIEU

ATTENTIE:



Dit apparaat mag niet met uw ander huishoudelijke toestellen worden verwijderd. Dit product moet op een geselecteerde stortplaats verwijderd worden. U kunt bij de gemeente een indiceerde plaats aanvragen. Elektrisch en elektronische producten kunnen gevaarlijke stoffen inhouden die schadelijk zijn voor mensen en het milieu en moet recycled worden. Het symbool aan de kant geeft aan dat het een elektrisch en elektronisch toestel is en zijn dus artikelen van een selectieve collectie. Het beeld geeft een afvalbak met een X teken aan.

Adeva SAS / H.Koenig Europe - 8 rue Marc Seguin - 77290 Mitry Mory - France
www.hkoenig.com - sav@hkoenig.com - contact@hkoenig.com - Tél: +33 1 64 67 00 05

ESPAÑOL

INSTRUCCIONES DE SEGURIDAD

Le damos las gracias y lo felicitamos por haber adquirido este nuevo modelo de Aire Acondicionado Portátil, lea atentamente este Manual de Instrucciones antes de instalar y comenzar a utilizar el producto. Guarde el Manual de Instrucciones en un lugar seguro para posibles consultas en el futuro.

El refrigerante usado por este Aire Acondicionado Portátil (en lo adelante, AA) es el gas R290, que es un gas inofensivo para el medio ambiente. Este refrigerante es inodoro, y a diferencia de otros refrigerantes alternativos, el R290 no afecta la capa de ozono.

Lea atentamente el manual de instrucciones antes de usar o reparar el AA.

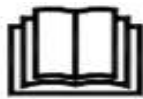
Las imágenes del producto detallado en este manual de instrucciones pueden ser diferentes a las de su modelo. Debe guiarse por las características específicas de su AA.

ADVERTENCIAS

- No use otros medios o productos para acelerar la descongelación o limpiar el AA, que no sean los recomendados por el fabricante.
- Este AA debe permanecer en una habitación donde no se utilicen fuentes de calor con mucha frecuencia (por ejemplo: fogones, hornos, estufas u otros que funcionen con gas o eléctricos).
- No perforo o queme la carcasa del AA.
- Tenga en cuenta que la mayoría de los gases refrigerantes son inodoros.
- El AA deberá ser instalado, usado y/o guardado en una habitación cuyo piso tenga una superficie mínima de 12,5 m².
- Mantenga todas las aberturas de ventilación libre de obstáculos.
- Cualquier servicio de reparación o mantenimiento del AA deberá ser realizado siguiendo las recomendaciones del fabricante.
- El AA debe ser instalado en una habitación bien ventilada,

cuyas dimensiones (área y volumen) estén en correspondencia con el espacio mínimo necesario para su buen funcionamiento.

- Cualquier persona que trabaje con la instalación y el mantenimiento de sistemas de refrigeración debe tener un certificado válido y actualizado, emitido por un centro de capacitación acreditado y reconocido por la industria mediante aprobación en evaluaciones específicas, que autorice su capacidad para el trabajo con gases refrigerantes de forma segura.
- La reparación o el mantenimiento del AA deberá ser realizado en un centro de servicios autorizado expresamente por el fabricante. Cuando sea necesaria la asistencia de personas no autorizadas estas deben estar bajo la supervisión de un experto competente en el uso de refrigerantes inflamables.
- Todo procedimiento que implique un riesgo para la seguridad personal y material deberá ser realizado por una persona autorizada y debidamente cualificada.
- Tenga cuidado al manipular el AA para no magullar la serpentina de refrigeración ya que esto puede provocar la fuga del gas refrigerante.



Material inflamable. Este AA contiene R290/Propano, un refrigerante inflamable.

Consulte las instrucciones de uso

Consulte las Características Técnicas

Consulte las Instrucciones de Mantenimiento

La carga máxima de gas refrigerante es de 260 g.

INSTRUCCIONES GENERALES

- Este AA está diseñado solamente para uso en interiores y no es adecuado para otras aplicaciones.
- Siga las normas del distribuidor local de su red eléctrica para instalar el AA y asegúrese de que esté correctamente conectado a tierra. Si tiene alguna duda sobre la instalación eléctrica, siga las instrucciones del fabricante o acuda a un electricista cualificado si es necesario.
- Coloque el AA sobre una superficie plana y seca, manteniendo una separación mínima de 50 cm entre el aire acondicionado y cualquier objeto o pared a su alrededor.
- Después de instalar el AA, asegúrese de que el cable de alimentación y el enchufe estén en perfectas condiciones y que esté firmemente conectado al tomacorriente. Acomode el cable de alimentación de forma tal que no constituya un peligro para el tropiezo de las personas o tirones accidentales.
- No coloque ningún objeto en las ranuras de ventilación del AA. Nunca obstruya las salidas de viento.
- Cuando instale tuberías adicionales para el drenaje del agua, asegúrese de que estén bien conectadas, selladas y que no estén deformadas ni dobladas.
- Cuando quiera reorientar las rejillas superior e inferior para mudar la dirección del viento, muévalas suavemente con las manos para evitar que se rompan las guías.
- Mantenga el AA en posición vertical cuando vaya a moverlo.
- Mantenga el AA lejos de combustibles, gases inflamables, fogones y otras fuentes de calor.
- No desmonte, adapte o modifique este AA de forma arbitraria. Esto puede provocar un desperfecto en la máquina e incluso causar daños materiales o lesiones

personales. Para evitar riesgos, en caso de cualquier falla, contacte al fabricante del aire acondicionado o acuda a profesionales cualificados.

- No sitúe o use el AA dentro del baño u otros ambientes húmedos.
- No tire del cable de alimentación para desconectar el AA, agarre por el enchufe.
- Para evitar el derramamiento de líquidos hacia el interior del AA, no coloque tazas u otros objetos conteniendo líquidos encima de la máquina.
- No use aerosoles insecticidas u otras sustancias inflamables cerca del AA.
- No limpie ni lave el AA con disolventes químicos tales como gasolina y alcohol. Cuando necesite limpiar el AA, desconecte el enchufe del tomacorriente y pásele un paño ligeramente húmedo. Si la carcasa está demasiado sucia, puede frotarla con detergente líquido usando un paño suave.
- Este dispositivo no debe ser utilizado por personas con capacidad física, mental o sensorial reducida o sin experiencia y conocimientos (incluidos niños), a menos que hayan recibido instrucciones de uso del aparato por parte de una persona responsable de su uso seguro del dispositivo. y comprender los peligros involucrados. Los niños deben ser supervisados para asegurarse de que no jueguen con el dispositivo.
- No use este aparato si su cable de alimentación o enchufe están dañados, si no está funcionando correctamente, está en mal estado o se ha caído. Si el cable de alimentación está deteriorado deberá ser remplazado por el fabricante, su personal técnico o un especialista similar para evitar riesgos potenciales.
- El AA debe ser instalado respetando las normas

nacionales vigentes para el cableado eléctrico.

- El dispositivo no debe utilizarse si se ha caído, si hay signos evidentes de daño o si hay fugas.
- Este aparato puede ser utilizado por niños de al menos 8 años de edad, siempre que cuenten con supervisión y hayan recibido instrucciones sobre el uso seguro del electrodoméstico y sean plenamente conscientes de los peligros que implica.
- La limpieza y mantenimiento de la máquina no debe ser efectuada por niños a menos que tengan como mínimo 8 años de edad y cuenten con la supervisión de un adulto.
- Mantenga el aparato y su cable eléctrico fuera del alcance de niños de menos de 8 años.
- Al utilizar equipos eléctricos, siempre se deben tomar precauciones de seguridad para evitar el riesgo de incendio, descarga eléctrica y/o lesiones en caso de uso indebido.
- Asegúrese de que la tensión nominal de la placa de características corresponde a la tensión de red de su instalación. Si no es así, póngase en contacto con el distribuidor y no conecte la unidad.
- Al utilizar equipos eléctricos, siempre se deben tomar precauciones de seguridad para evitar el riesgo de incendio, descarga eléctrica y/o lesiones en caso de uso indebido.
- Por favor, tenga este documento a mano y entréguelo al futuro propietario en caso de transferencia de su dispositivo.
- El dispositivo no debe utilizarse si se ha caído, si hay signos evidentes de daño o si hay fugas.

TRANSPORTACIÓN, MARCAJE Y PRESERVACIÓN

1. Transportación de equipos conteniendo refrigerantes inflamables.
En cumplimiento con las normativas de transporte.
2. Marcaje de equipos usando etiquetas, símbolos y señales.
En cumplimiento con las normativas locales.
3. Eliminación de equipos conteniendo refrigerantes inflamables.
En cumplimiento con las normativas nacionales.
4. Preservación de equipos o electrodomésticos.
El AA deberá ser guardado y preservado respetando las instrucciones del fabricante.
5. Almacenamiento de equipos o electrodomésticos empacados (sin vender).
El embalaje para almacenamiento deberá tener la protección apropiada para evitar que daños físicos por dentro de la caja comprometan la serpentina del AA y provoquen fugas del refrigerante.
La cantidad máxima de aires acondicionados que pueden ser almacenados en conjunto debe respetar las normativas locales.
El AA deberá ser almacenado en un lugar que ofrezca protección contra daños mecánicos.

Observaciones:

La mejor temperatura ambiente para enfriamiento con el AA es de 17-35°C, y la temperatura ambiente óptima para calentamiento es de 8-25°C.

Parámetro del fusible: $\varnothing 5,0 \times 20\text{mm}$ 3,15A, 250V AC.

El AA se llena con el gas inflamable R290 y la carga máxima es de 260 g.

El valor GWP del refrigerante R290 es 3.

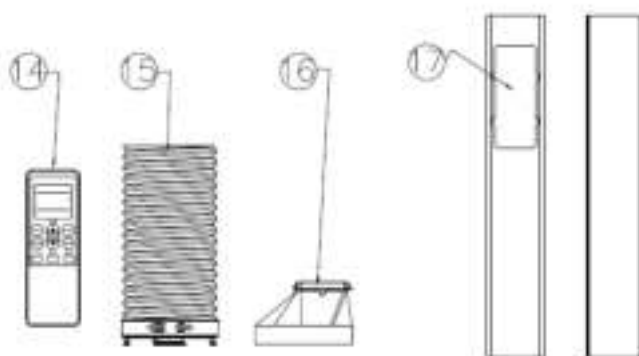
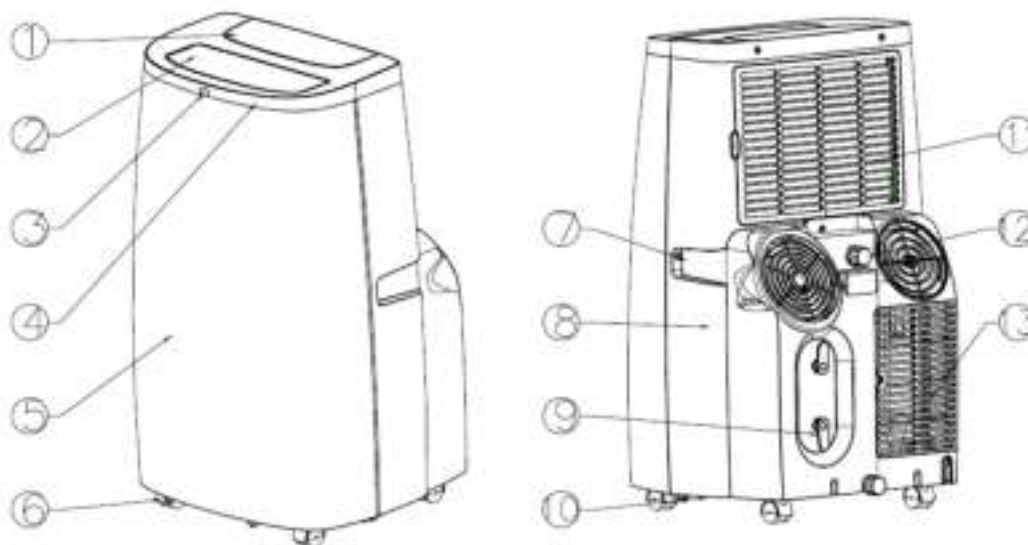
Cuando necesite cualquier tipo de servicio o reparación, llame al Centro de Asistencia autorizado más cercano de su localidad y siga estrictamente las instrucciones del fabricante.

CARACTERÍSTICAS Y DESCRIPCIÓN DEL PRODUCTO

1. Características

- Nueva apariencia con diseño compacto, más lujoso y sofisticado.
- La rejilla de ventilación oscila automáticamente y usted puede ajustar la dirección del viento girando las guías según sus necesidades.
- Acabado elegante y simple a la vez, diseño humanizado para guardar el control remoto, que puede ser colocado en el compartimiento de recogida incorporado en la parte trasera del AA.
- Operación simple, panel de control con pantalla digital LED y un control remoto LCD de alta gama.
- El pilar de enrollamiento y el enchufe universal le ofrecen mejor protección al cable de alimentación.
- Función temporizador de 24 horas, con música exclusiva para el aviso de encendido/apagado.
- Protección con retardo de 3 minutos para el reinicio del compresor y otras funciones de protección múltiple para el AA.
- Manguera de escape y sujetadores únicos, a conveniencia para la instalación.

2. Descripción



1. Panel de control.
2. Rejilla de ventilación horizontal.
3. Sensor del control remoto.
4. Cubierta superior.
5. Carcasa delantera.
6. Ruedas universales.
7. Agarradera.
8. Carcasa lateral/trasera.
9. Pilar de enrollamiento para el cable.
10. Base.
11. Conjunto del filtro superior.
12. Tapa del drenaje y tapón.
13. Conjunto del filtro inferior.
14. Control remoto.
15. Conector redondo y manguera de escape.
16. Adaptador de la manguera de escape.
17. Placas selladoras para la ventana.

OPERACIÓN Y FUNCIONALIDADES

Esta sección explica detalladamente las funciones de su AAP y cómo utilizarlas de forma correcta.

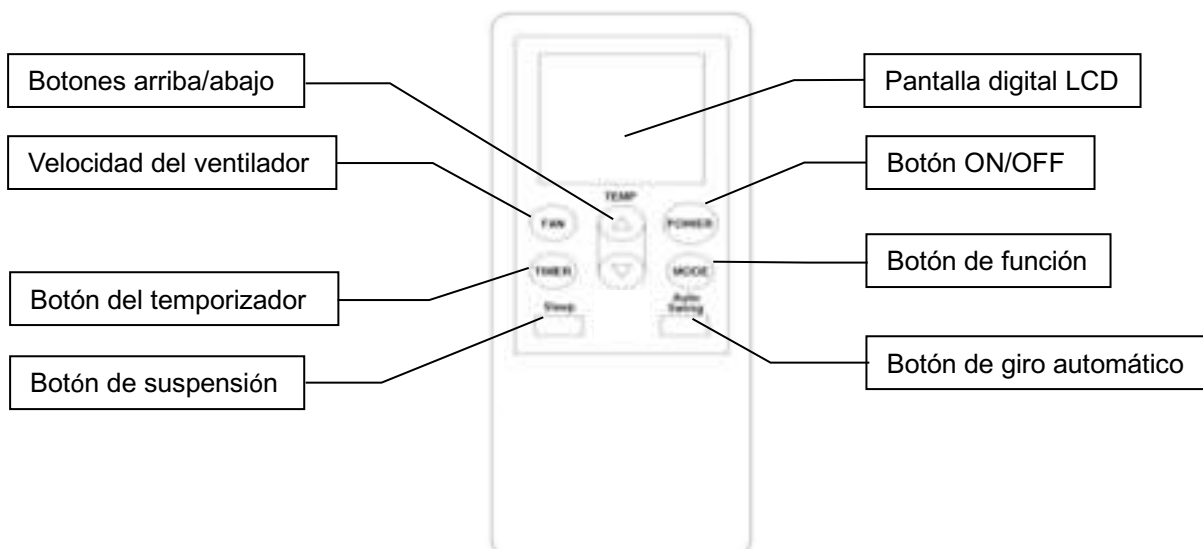
1. Panel de control



2. Funciones del panel de control

- A. POWER: botón ON/OFF. Presiónelo para encender el AA, el indicador encima del botón se iluminará en verde; si el AA está encendido y presiona POWER, este se apaga y el indicador se pone rojo.
- B. MODE: botón de función. Presione MODE para seleccionar el modo de operación del AA entre Enfriar, Desecar, Ventilador o Calentar (Cool, Dehum, Fan, Heat), el indicador de la función seleccionada se iluminará en verde. El modelo de AA que es solo para enfriar no tiene la función Calentar.
- C. FAN: botón de velocidad del ventilador. Presione FAN para cambiar la velocidad del ventilador entre Alta, Media o Baja (High, Med, Low), el indicador correspondiente se iluminará en verde.
- D. UP: botón Arriba. Presione este botón para aumentar la temperatura o el tiempo programado.
- E. DOWN: botón Abajo. Presione este botón para disminuir la temperatura o el tiempo programado.
- F. TIMER: botón del temporizador. Presione TIMER para ajustar, iniciar o cancelar el temporizador.
- G. UP + DOWN: presione los dos botones al mismo tiempo para cambiar la escala de temperatura (°C/°F).
- H. TIMER + UP: presione los dos botones al mismo tiempo para escoger el modo de trabajo entre continuo (Full) o en suspensión (Sleep).
- I. TIMER + FAN: presione los dos botones al mismo tiempo para activar o desactivar el giro automático de las rejillas de ventilación.

3. Funciones del control remoto

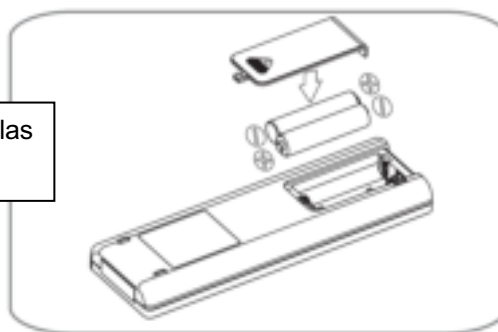


1. POWER: presione este botón para encender el AA cuando esté apagado o para apagarlo cuando esté encendido.
2. MODE: presione este botón para seleccionar el modo de operación.
3. Ⓐ : presione este botón para aumentar la temperatura de la habitación o el tiempo del temporizador.
4. Ⓑ : presione este botón para disminuir la temperatura de la habitación o el tiempo del temporizador.
5. FAN: presione este botón para cambiar la velocidad del ventilador en la secuencia baja→media→alta.
6. Auto-Swing: presione este botón para activar o desactivar la función de giro automático de la rejilla.
7. Sleep: presione este botón para activar o desactivar el modo de trabajo en suspensión (aplicable solamente para la función de enfriar o en el modo de ahorro de energía).
8. TIMER: presione este botón para ajustar el temporizador y que el AA se encienda o se apague de forma automática transcurrido un cierto tiempo. El tiempo se puede establecer entre 30 minutos y 24 horas, a intervalos de 30 minutos para las primeras 5 horas y de 1 hora para tiempos mayores. El tiempo marcado parpadeará 5 veces en la pantalla y luego de esto se reconoce como confirmado.

Antes de usar el control remoto, debe colocar dos pilas AAA en el mando:

- 1) Presione la tapa por detrás del control remoto y deslícela hacia afuera para abrir el compartimiento.
- 2) Inserte dos pilas alcalinas AAA nuevas en el compartimiento del control remoto, observando que sean colocadas con la polaridad correcta.
- 3) Vuelva a montar la tapa del compartimiento asegurándose de que quede bien cerrada en el control.

Verifique bien la polaridad de las pilas antes de insertarlas.



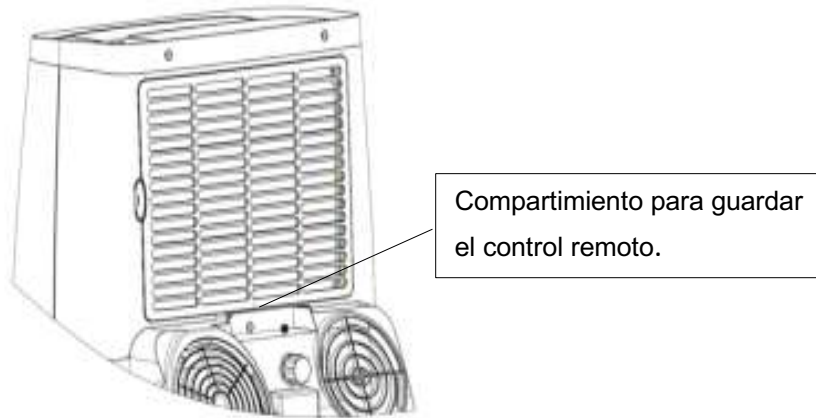
Observaciones:

- Use solamente pilas alcalinas. No use pilas recargables.
- Cuando sea necesario cambiar las pilas, siempre reemplace las dos pilas por otras nuevas, no mezcle pilas viejas con nuevas.
- Si no pretende utilizar el AAP durante un largo período, retire las pilas del control remoto.

4. Recogida del control remoto

- 1) Inserte el control remoto en el compartimiento de recogida incorporado a la izquierda (o detrás) del AA y empújelo suavemente hasta que encaje en su lugar.
- 2) Presione suavemente la parte inferior del compartimiento para liberar y sacar el control remoto.

Observación: Para evitar que el control remoto se pierda, siempre guárdelo en su compartimiento en el AA cuando no esté en uso.



ADVERTENCIA

Si una pila se rompe y el líquido expelido entra en contacto con su piel o su ropa, lave rápidamente el área afectada con agua limpia.

No use el control remoto con pilas abiertas o con evidencias de fuga.

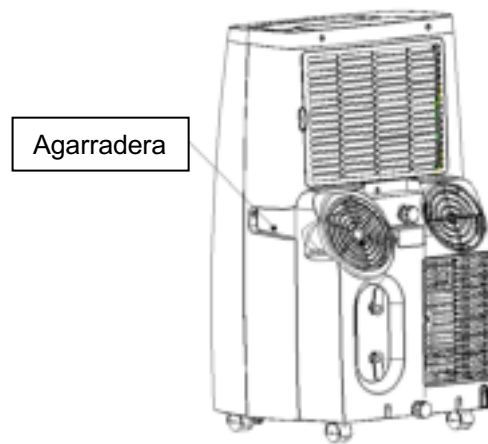
Si el líquido expelido entra en contacto con su boca o lo ingiere por accidente, lávese bien la boca y acuda al médico. Los productos químicos en las pilas pueden causar quemaduras u otros peligros para la salud.

MANIPULACIÓN Y TRANSPORTE

Para mover de lugar el AA, sujételo por las agarraderas en las carcassas laterales y manténgalo siempre en posición vertical.

Observaciones:

- Mantenga el AA siempre en posición vertical, independientemente de que esté siendo manipulado en reposo o lo esté moviendo de lugar.
- Para evitar fugas de agua durante la transportación del AA, drene completamente el agua en su interior antes de moverlo del lugar, esto es para evitar que se moje el piso o la alfombra.
- Saque el control remoto del compartimiento de recogida y guárdelo en un lugar seguro durante la transportación del mismo.

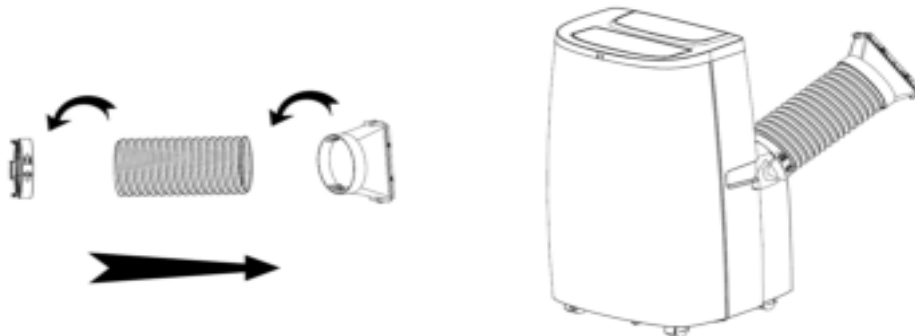


INSTALACION Y ACOMODACION

1. Primera instalación

- Mantenga este AA en reposo en posición vertical por al menos 2 horas antes de la primera instalación.
- Este AA puede ser movido a conveniencia dentro de la habitación donde se encuentre; manténgalo siempre en posición vertical mientras lo mueve.
- Acomode el AA sobre una superficie plana.
- No instale este AA ni lo encienda dentro del baño u otros ambientes húmedos.

2. Instalación de la manguera de escape.



A. Abra el embalaje de plástico y extraiga la manguera de escape, el conector redondo y el adaptador.

- B. Extienda un extremo de la manguera y enrosque el conector redondo por la parte que no tiene ranuras en este extremo, acople bien dando 3 vueltas en sentido anti-horario.
- C. Extienda el otro extremo de la manguera y enrosque el adaptador por este extremo, también en sentido anti-horario dando al menos 3 vueltas. Ahora acople la manguera al AA por el conector.

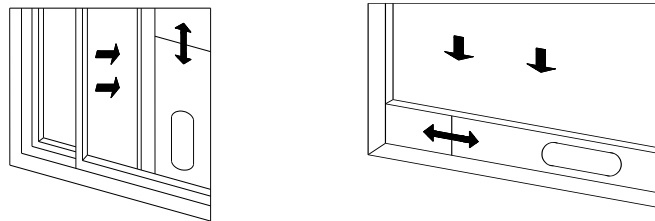
Observación: Cerciórese de enroscar el conector y el adaptador en las posiciones correctas, dando al menos 3 vueltas para garantizar una conexión confiable entre el conjunto del escape y el AA.

3. Instalación de la placa selladora en la ventana.

- A. Abra la ventana en la pared hasta la mitad y coloque la placa selladora en el marco de la ventana, ya sea en posición vertical u horizontal.
- B. Extienda la placa selladora hasta que cubra toda la extensión de la ventana y acomode ambos extremos para que coincidan con el marco de la ventana, luego fíjela con tornillos.

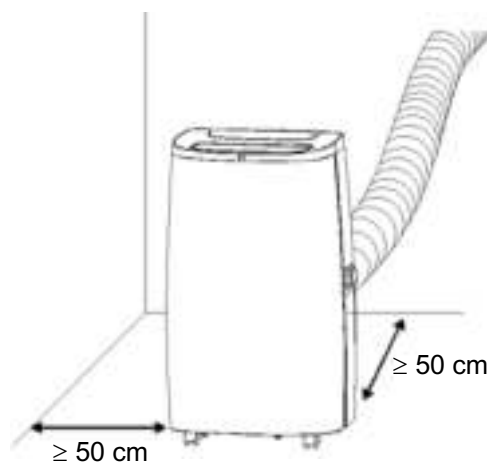
Observaciones:

- Asegúrese de mantener los extremos de la placa perfectamente alineados con el marco de la ventana mientras enrosca los tornillos para conseguir la hermeticidad deseada en la habitación.
- Apriete bien los tornillos.

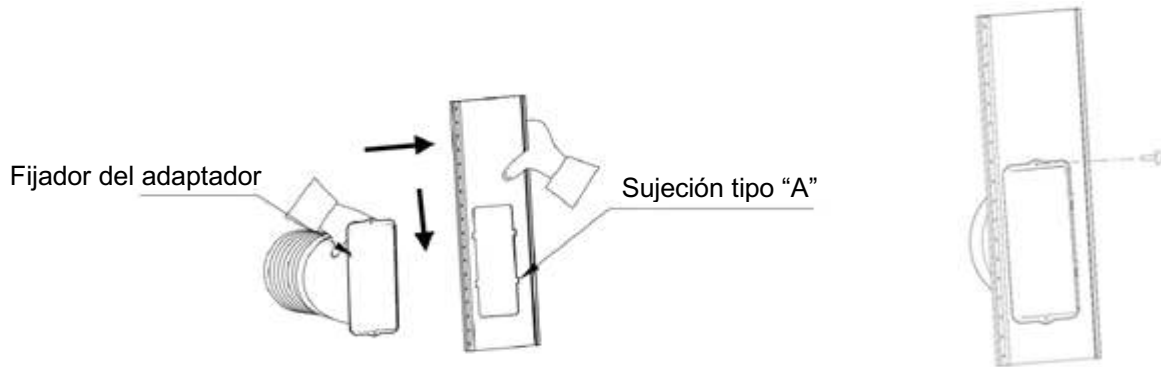


4. Acomodación del AA.

- A. Mueva el AA ya con la manguera de escape instalada y acomódalo cerca de la ventana donde instaló la placa selladora. Deje al menos 50 cm de separación entre el AA y las paredes u objetos circundantes.

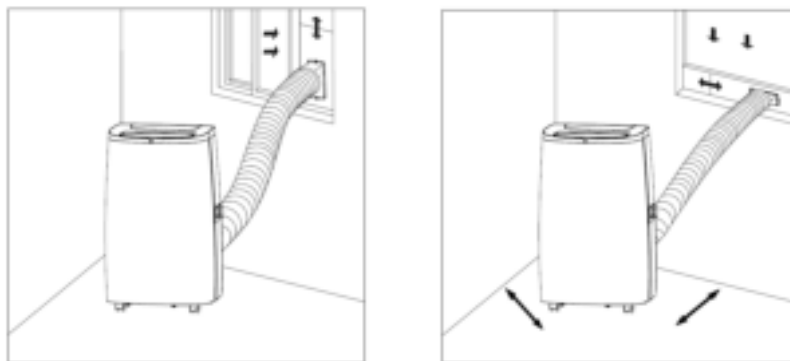


B. Inserte el extremo suelto de la manguera (lado rectangular del adaptador) en el orificio correspondiente de la placa de sellado instalada en la ventana, fíjelo con tornillos y cierre la ventana.



Observaciones:

- Deslice el adaptador ligeramente hacia abajo cuando lo inserte en el orificio y asegúrese de que esté bien encajado en su posición.
- Asegúrese de que la dirección del panel deslizante de la ventana se corresponda con la de la placa de sellado, como se muestra en la figura de abajo.
- Para mantener la ventilación en la manguera de escape, esta no puede quedar doblada o inclinada a más de 45° respecto las conexiones de sus extremos.



Observaciones importantes:

La longitud de la manguera de escape debe ser ajustada según las especificaciones de cada modelo de aire acondicionado, pudiendo variar de 280 mm a 1500 mm. No use la manguera por demasiado tiempo y no la substituya por otra manguera de marca o modelo diferente, ya que esto puede afectar la eficiencia de su AA. La manguera de escape debe ser flexible y lisa por dentro para evitar el sobrecalentamiento del AA e incluso daños materiales.

INSTRUCCIONES SOBRE EL DRENAJE

1. Drenaje manual

- 1) Cuando el reservatorio interno está lleno de agua el AA se detendrá, apáguelo y desenchufe el cable de alimentación del tomacorriente.
- 2) Coloque una bandeja u otro recipiente debajo de la salida del drenaje en la parte posterior del AA.
- 3) Desenrosque la tapa del drenaje y retire el tapón para drenar el agua del AA.
- 4) Luego del desagüe, inserte de nuevo el tapón y enrosque la tapa en la salida del drenaje.

Observaciones:

- Proteja adecuadamente la tapa del drenaje y el tapón.
- Mueva el AA con cuidado para evitar que se produzcan fugas de agua.
- Si es necesario, incline el AA ligeramente hacia atrás cuando vaya a drenar el agua.
- Bloquee el orificio del drenaje rápidamente si percibe que no cabe más agua en la bandeja para evitar que se desborde hacia el piso o la alfombra.
- Asegúrese de insertar bien el tapón y apretar la tapa para evitar que se condense el agua en la salida del drenaje mojando el piso o la alfombra cuando el AA retome su función.



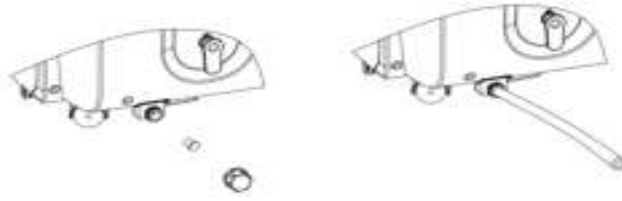
2. Drenaje continuo

- 1) Desenrosque la tapa del drenaje y retire el tapón.
- 2) Conecte una manguera de 13 mm en la salida del drenaje, introduciéndola lo más posible por dentro del orificio para evitar fugas durante el desagüe.
- 3) Extienda el otro extremo de la manguera hasta el baño o hacia afuera, donde vaya a drenar el agua.

Observaciones:

- La manguera para el drenaje continuo debe ser instalada cuando no haya agua en el reservatorio.
- No se recomienda utilizar el drenaje continuo con el AA en modo ENFRIAR, ya que el agua fría en el reservatorio se usa en la recirculación del AA y esto ayuda al enfriamiento del sistema y de la habitación.
- Acomode la manguera del drenaje en un lugar inaccesible, completamente extendida y sin flexiones o torceduras, observando que no quede más alta que el orificio del drenaje.
- Guarde bien el tapón y la tapa del drenaje en un lugar seguro mientras adopte el drenaje continuo.

- Puede comprar la tubería original para el drenaje continuo por separado.



FUNCIONES DE PROTECCIÓN MÚLTIPLE

1. Protección contra congelación

En el modo ENFRIAR, cuando el compresor haya funcionado continuamente durante 10 minutos, si la temperatura del tubo de enfriamiento se mantiene por debajo de 2°C (36°F) durante 20 segundos, el AA activará la protección contra congelación y se mostrará “E4” en la pantalla digital, el compresor y el motor de recirculación se detienen en cuanto el ventilador superior sigue funcionando. Cuando la temperatura del tubo llegue a 8°C (46°F), el sistema anti-congelación se desactiva automáticamente y el AA retoma su función en modo normal. El compresor volverá a funcionar luego de 3 minutos para su protección.

2. Protección contra desbordamiento de agua y desconexión

Cuando el volumen de agua excede el nivel máximo marcado en el reservorio, se emite una alarma automáticamente y el indicador de reservorio lleno (Full) se ilumina en el panel de control. En este caso debe drenar el agua (consulte las instrucciones sobre el drenaje en la sección anterior) y reiniciar el AA. Si el AA no fue apagado manualmente, este retomará su funcionamiento normal automáticamente una vez que haya drenado el agua. Si fue desconectado, entonces enciéndalo para reiniciar sus funciones.

3. Protección de retardo para el compresor

Este AA ofrece protección para el reinicio del compresor. Exceptuando el momento de la primera conexión del AA cuando el compresor puede arrancar inmediatamente, habrá siempre un retardo de 3 minutos para el reinicio del compresor luego de que el mismo se haya apagado por cualquier motivo.

Mantenimiento y servicio

Nota: Asegúrese de apagar el AA y desconectar el enchufe antes de realizar el mantenimiento o enviarlo al centro de servicio.

1. Limpieza de las superficies

- 1) Limpie las superficies del AA con un paño suave y húmedo. No utilice disolventes químicos como alcohol y gasolina para evitar daños al aparato.
- 2) Limpie la salida de aire con un paño suave humedecido y detergente.
- 3) Se prohíbe el uso de cualquier solvente químico para la limpieza del AA. No coloque esos productos cerca del AA durante un largo tiempo.
- 4) Cualquier diluyente, alcohol u otros disolventes similares está prohibido para la limpieza del AA.

2. Limpieza del filtro

Si el filtro estuviera obstruido con polvo podría influir en el funcionamiento del AA. Se recomienda Limpiarlo una vez cada dos semanas.

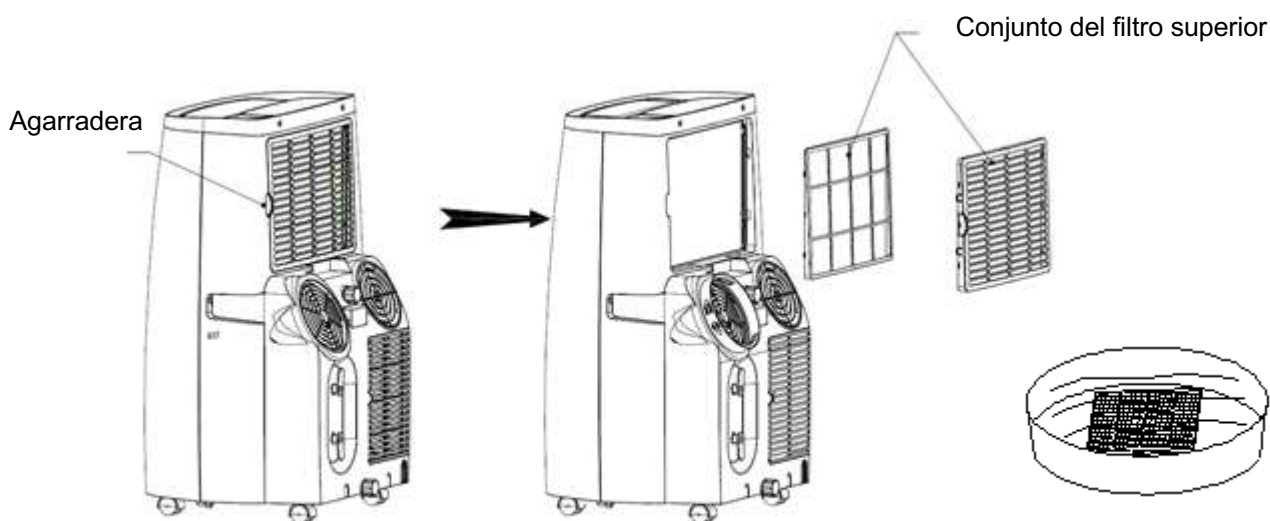
1) Cómo limpiar el filtro

- A. Sujete filtro por la agarradera y sáquelo suavemente en la dirección correcta.
- B. Lávelo con un limpiador si es necesario.
- C. Sumerja y lave suavemente el filtro en agua tibia (aproximadamente 40°C) mezclada con un limpiador neutro, y luego enjuague y seque bien a la sombra.

Notas:

- Tire del filtro suavemente.
- Quitar el filtro del panel posterior es una prioridad para poder quitar el filtro del panel lateral sin torcerlo o dañarlo.
- No aplaste la malla.

- No golpee la malla con objetos afilados.



3. Instalación del filtro

Dirija el extremo del filtro hacia la ranura y luego empuje el filtro suavemente.

Notas:

- Asegúrese de instalar el filtro en el panel lateral y luego el filtro en el panel posterior.
- Instale el filtro por el lado opuesto de extracción.
- Instale el filtro en su lugar con cuidado para evitar daños al mismo.

4. Almacenamiento al final de la temporada

- 1) Desatornille la tapa de drenaje y saque el tapón para drenar completamente el agua condensada. (Nota: el ángulo de inclinación del AA debe ser ≤ 30).
- 2) Mantenga el AA funcionando en modo ventilador durante medio día para que se seque completamente por dentro y evitar que se enmohezca.
- 3) Apague el AA, saque el enchufe y luego enrolle el cable de alimentación alrededor del pilar de enrollamiento, inserte el enchufe en el orificio de fijación universal que se encuentra en el panel posterior e instale la tapa de

drenaje y el tapón de agua.

4) Retire el conjunto de la manguera de escape, limpie y guarde correctamente.

Notas:

- Sujete la manguera de escape con ambas manos cuando la retire.
- Empuje para los lados los sujetadores de la rejilla de aire con los pulgares, luego extraiga el conjunto de la manguera de escape.

1) Empaque el AA adecuadamente con una bolsa de plástico suave y póngalo en un lugar seco tomando las medidas adecuadas a prueba de polvo y manténgalo alejado de los niños.

2) Retire las baterías del control remoto y guárdelas.

Nota:

Asegúrese de que el AA se almacena en un lugar seco. Todos los accesorios deben estar adecuadamente protegidos.

SOLUCIÓN DE PROBLEMAS

Verifique las sugerencias dadas a continuación antes de solicitar un servicio profesional, pero nunca repare ni desmonte el AA por su cuenta ya que puede causar daños a usted y su propiedad. Si ocurren problemas que no aparecen en la tabla o las soluciones recomendadas no funcionan, póngase en contacto con la organización de servicio profesional.

Problemas	Posibles causas	Soluciones
El AA no arranca	Falla de la fuente de alimentación	Conéctelo a un tomacorriente y enciéndalo
	Demasiada agua	Drenar el agua
	La temperatura ambiente es demasiado fría o caliente	Se recomienda utilizar el aparato en una temperatura ambiente de 8-35°C
	La temperatura ambiente es más baja que la temperatura establecida en el modo de refrigeración o más alta en el modo de calefacción	Cambiar la temperatura establecida
Efectos de enfriamiento deficiente	Hay luz solar directa	Cerrar la cortina de la ventana
	Las puertas o ventanas están abiertas, la sala está abarrotada o hay otras fuentes de calor.	Cierre las puertas y las ventanas, elimine otras fuentes de calor y agregue nuevos aires acondicionados.
	Filtro sucio	Limpie o reemplace filtro superior
	Entrada o salida de aire obstruida	Quitar las obstrucciones
Mucho ruido	El AA está sobre una superficie irregular	Coloque el AA en un lugar plano y firme para reducir el ruido
El compresor no funciona	Se inicia la protección contra sobrecalentamiento	Espere hasta que disminuya la temperatura, el AA se reiniciará automáticamente
El control remoto no funciona	La distancia entre el control remoto y el AA es muy grande	Coloque el control remoto cerca del AA y asegúrese de que esté directamente orientado hacia el receptor
	El control remoto no está alineado con la dirección del receptor del mando a distancia	
	Las baterías se agotaron	Sustituya las baterías
Aparece en la pantalla el código "E1"	Fallo del sensor de temperatura del tubo	Compruebe el sensor de temperatura del tubo y los circuitos relacionados
Aparece en la pantalla el código "E2"	Fallo del sensor de temperatura ambiente	Compruebe el sensor de temperatura ambiente y los circuitos relacionados
Aparece en la pantalla el código "E4"	Protección contra congelación	Restaurar las funciones automáticamente una vez que finalice la protección contra congelación
Aparece en la pantalla FL	El tanque de agua está lleno	Drene el agua condensada y reinicie el AA

1. Informaciones para el mantenimiento

1) Verifique el área

Antes de comenzar a trabajar en sistemas que contienen refrigerantes inflamables, se requieren controles de seguridad para garantizar que se minimice el riesgo de ignición. Para reparar el sistema de refrigeración, se deben cumplir las siguientes precauciones.

2) Procedimiento de trabajo

El mantenimiento deberá realizarse en condiciones perfectamente controladas para minimizar el riesgo de que haya escape de gas o vapor inflamable mientras se realiza.

3) Area general de trabajo

Todo el personal de mantenimiento y otras personas que se encuentren en el área local deben recibir instrucciones sobre la naturaleza del trabajo que se está llevando a cabo. Se evitarán las reparaciones en espacios confinados. El área alrededor del local de trabajo debe ser seccionada. Asegúrese de que las condiciones dentro del área sean seguras mediante el control de material inflamable.

4) Comprobando la presencia de gas refrigerante

El área debe verificarse con un detector de gas refrigerante adecuado antes y durante el mantenimiento, para garantizar que el técnico tenga conocimiento de las atmósferas potencialmente inflamables. Asegúrese de que el equipo de detección de fugas que se está utilizando sea adecuado para refrigerantes inflamables, es decir, que no produzcan chispas, que estén adecuadamente sellados o sean intrínsecamente seguros.

5) Presencia de extintor de incendios

Si se debe realizar algún trabajo con riesgo de incendio en el equipo de refrigeración o en alguna de las piezas asociadas, tenga un extintor de polvo seco o CO2 disponible a mano.

6) No hay fuentes de ignición

Ninguna persona que realice trabajos que tengan relación con un sistema de refrigeración que implique exponer cualquier tubería que contenga o haya contenido refrigerante inflamable, utilizará ninguna fuente de ignición de tal manera que pueda provocar riesgo de incendio o explosión. Todas las posibles fuentes de ignición, incluido el consumo de cigarrillos, deben mantenerse lo suficientemente lejos del lugar de instalación, reparación, desactivación y eliminación, durante el cual es posible que se libere refrigerante inflamable al espacio circundante. Antes de realizar el trabajo, se debe inspeccionar el área alrededor del aparato para asegurarse de que no haya peligros o riesgos de ignición. Se deberán mostrar letreros de "No fumar".

7) Área bien ventilada

Asegúrese de que el área de trabajo esté al aire libre o adecuadamente ventilada antes de operar en el sistema o realizar cualquier trabajo con riesgo de incendio. Un cierto grado de ventilación deberá continuar durante el período de mantenimiento. La ventilación debe dispersar de forma segura cualquier refrigerante liberado y, preferiblemente, expulsarlo externamente a la atmósfera.

8) Comprobando el equipo de refrigeración

Verifique que los componentes eléctricos reemplazados son adecuados para el propósito y para la especificación correcta. En todo momento se seguirán las orientaciones del fabricante para el mantenimiento y servicio del aparato. En caso de duda, acuda al departamento técnico de mantenimiento para obtener ayuda.

Se aplicarán los siguientes controles a las instalaciones que se utilizan para trabajos con

refrigerantes inflamables:

- (a) El tamaño de la habitación dentro de la cual se instalan las piezas que contienen refrigerante debe estar en proporción con la carga de gas inflamable.
 - (b) El sistema de ventilación está funcionando adecuadamente y las salidas de aire no están obstruidas.
 - (c) Si se está utilizando un circuito de refrigeración indirecto, el circuito secundario debe verificarse para detectar la presencia de refrigerante.
 - (d) Las etiquetas del aparato deben seguir siendo visibles y legibles. Las etiquetas y señalizaciones que sean ilegibles serán corregidas.
 - (e) Los tubos de refrigeración se deben instalar en una posición en la que sea poco probable que estén expuestos a alguna sustancia que los pueda corroer, a menos que estén contruidos con materiales que sean inherentemente resistentes o que estén protegidos adecuadamente contra la corrosión.
- 9) Comprobando los componentes eléctricos

La reparación y el mantenimiento de los componentes eléctricos deben incluir controles de seguridad iniciales y procedimientos de inspección. Si existe una falla que pueda comprometer la seguridad, no se debe conectar ningún suministro eléctrico al circuito hasta que se resuelva satisfactoriamente. Si la falla no se puede corregir de inmediato, pero es necesario continuar la operación, se debe utilizar una solución temporal adecuada. Esto se informará al propietario del equipo para que todas las partes tengan conocimiento.

Los controles de seguridad iniciales incluirán:

- (a) Que los condensadores estén descargados: esto debe hacerse de manera segura para evitar la posibilidad de chispas.
- (b) Que los componentes no conducen tensión eléctrica y que el cableado no está expuesto mientras se carga, recupera o purga el sistema.
- (c) Que hay continuidad de enlace a tierra.

2. Reparación de componentes sellados

- 1) Antes de retirar las cubiertas selladas, todos los suministros eléctricos deben desconectarse del aparato en el que se está trabajando. Si es absolutamente necesario contar con un suministro eléctrico, el equipo de detección de fugas se ubicará de forma permanente en el punto más crítico para advertir de una situación potencialmente peligrosa.
- 2) Deberá concederse una atención especial a las siguientes pautas para garantizar que, al trabajar con componentes eléctricos la protección no fue afectada. Esto debe incluir daños a los cables, un número excesivo de conexiones, terminales no hechos según la especificación original, daños a los sellos, ajuste incorrecto de las entradas, etc. Asegúrese de que el aparato esté montado de forma apropiada.

Asegúrese de que los sellos o materiales de sellado no se hayan degradado de manera que ya no sirvan para evitar la entrada de atmósferas inflamables.

Las piezas de repuesto deben estar de acuerdo con las especificaciones del fabricante.

NOTA: El uso de sellador de silicona puede inhibir la efectividad de algunos tipos de equipos de detección de fugas. Los componentes intrínsecamente seguros no tienen que estar aislados antes de trabajar en ellos.

3. Reparación de componentes intrínsecamente seguros

No aplique ninguna carga inductiva o capacitiva permanente al circuito sin asegurarse de que esto no excederá el voltaje y la corriente permitidos para el aparato.

Los componentes intrínsecamente seguros son los únicos en los que se puede trabajar en una atmósfera inflamable. El aparato de prueba debe estar en la clasificación correcta.

Reemplace los componentes solo con partes especificadas por el fabricante. Otras partes pueden provocar la ignición del refrigerante debido a una fuga.

4. Cableado

Compruebe que el cableado no esté sujeto a desgaste, corrosión, presión excesiva, vibración, bordes afilados o cualquier otro efecto adverso. La verificación también debe tener en cuenta los efectos del envejecimiento o la vibración continua de fuentes como compresores o ventiladores.

5. Detección de refrigerantes inflamables

En ninguna circunstancia deben utilizarse fuentes potenciales de ignición en la búsqueda o detección de fugas de refrigerante. No se debe usar una lámpara de haluro (o cualquier otro detector que use una llama descubierta).

6. Métodos de detección de fugas

Los siguientes métodos de detección de fugas se consideran aceptables para los sistemas que contienen refrigerantes inflamables.

Se deben usar detectores electrónicos de fugas para detectar refrigerantes inflamables, pero la sensibilidad puede no ser adecuada o puede necesitar una recalibración. (El equipo de detección debe estar calibrado en un área libre de refrigerante). Asegúrese de que el detector no sea una fuente potencial de ignición y que sea adecuado para el refrigerante utilizado. El equipo de detección de fugas se deberá fijar en un porcentaje LFL (límite más bajo de la inflamabilidad), se calibrará al refrigerante empleado y se confirmará el porcentaje apropiado de gas (25% máximo). Los líquidos para detección de fugas son adecuados para el uso con la mayoría de los refrigerantes, pero se debe evitar el uso de detergentes que contengan cloro, ya que el cloro puede reaccionar con el refrigerante y corroer la tubería de cobre.

Si se sospecha una fuga, todas las llamas descubiertas deben ser eliminadas/extinguidas.

Si se detecta una fuga que requiere soldadura fuerte, todo el refrigerante debe recuperarse del sistema o aislarse (por medio de válvulas de cierre) en una parte del sistema alejada de la fuga. El nitrógeno libre de oxígeno (OFN) se purgará a través del sistema antes y durante el proceso de soldadura fuerte.

7. Enjuague y evacuación

Cuando acceda al circuito de refrigerante para realizar reparaciones, o para cualquier otro propósito, se deben utilizar los procedimientos convencionales. Sin embargo, es importante extremar las medidas para mejorar las prácticas. Siga el siguiente procedimiento:

- 1) Retire el refrigerante.
- 2) Purgue el circuito con gas inerte.
- 3) Evacúe.
- 4) Purgue nuevamente con gas inerte.
- 5) Abra el circuito cortando o soldando.

La carga de refrigerante se recuperará en los cilindros de recuperación correctos. El sistema se debe "enjuagar" con OFN para que la unidad sea segura. Este proceso puede necesitar repetirse varias veces. No se debe utilizar aire comprimido ni oxígeno para esta tarea.

El enjuague se logrará rompiendo el vacío en el sistema con OFN y continuando con el llenado hasta que se alcance la presión de trabajo deseada, luego ventilando a la atmósfera y finalmente extrayendo el vacío. Este proceso debe repetirse hasta que no haya refrigerante dentro del sistema. Cuando se utiliza la carga OFN final, el sistema debe descargarse a presión atmosférica para permitir que se realice el trabajo. Esta operación es absolutamente vital para que se realicen operaciones de soldadura fuerte en la tubería.

Asegúrese de que la salida de la bomba de vacío no esté cerca de ninguna fuente de ignición y que haya suficiente ventilación.

8. Procedimientos de carga

Además de los procedimientos de carga convencionales, se seguirán los siguientes requisitos.

- 1) Asegúrese de que los equipos de carga usados no se contaminen con refrigerantes diferentes. Las mangueras o líneas de conducción deben ser lo más cortas posible para minimizar la cantidad de refrigerante que contienen.
- 2) Los cilindros se deben mantener en posición vertical.
- 3) Asegúrese de que el sistema de refrigeración esté conectado a tierra antes de cargarlo con refrigerante.
- 4) Etiquete el sistema cuando se complete la carga (si no tiene etiqueta).
- 5) Se debe tener mucho cuidado de no llenar en exceso el sistema de refrigeración.

Antes de recargar el sistema, debe probarse a presión con OFN. El sistema debe ser probado contra fugas al finalizar la carga, recuerde que deberá hacerlo antes de ponerlo a funcionar. Se realizará un seguimiento de fugas antes de abandonar el sitio.

9. Desactivación

Antes de llevar a cabo este procedimiento, es esencial que el técnico esté completamente familiarizado con el aparato y con todos sus detalles. Se recomienda que todos los refrigerantes se recuperen de manera segura. Antes de que se lleve a cabo la tarea, se debe tomar una muestra de aceite y refrigerante en caso de que se requiera un análisis antes de reutilizarlo. Es esencial que haya energía eléctrica disponible antes de comenzar la tarea.

- 1) Familiarizarse con el aparato y su funcionamiento.
- 2) Ponga el sistema en un estado eléctrico seguro.
- 3) Antes de comenzar el procedimiento, asegúrese que:
 - (a) Se dispone de equipo de manipulación mecánica para manipular cilindros de refrigerante si es necesario.
 - (b) Todo el equipo de protección personal está disponible y se utiliza correctamente.
 - (c) El proceso es supervisado en todo momento por una persona competente.
 - (d) El equipo de recuperación y los cilindros cumplen con las normas apropiadas.
- 4) Si es posible debe bombear el sistema de refrigerante.
- 5) Si no es posible un vacío, haga un colector para que se pueda eliminar el refrigerante de varias partes del sistema.
- 6) Asegúrese de que el cilindro esté situado en la balanza antes de la recuperación.
- 7) Encienda la máquina de recuperación y opere de acuerdo con las instrucciones del fabricante.

- 8) No llene en exceso los cilindros. (Deberá ser menos de 80% del volumen de carga líquida).
- 9) No exceder la presión máxima de trabajo del cilindro, incluso temporalmente.
- 10) Cuando los cilindros se hayan llenado correctamente y se haya completado el proceso, asegúrese de que los cilindros y el aparato se retiren del sitio rápidamente y que todas las válvulas de aislamiento estén cerradas.
- 11) El refrigerante recuperado no debe cargarse en otro sistema de refrigeración a menos que haya sido limpiado y revisado.

10. Etiquetado

El aparato debe estar etiquetado indicando que ha sido desmantelado y vaciado de refrigerante. La etiqueta deberá tener fecha y estar firmada. Asegúrese de que haya etiquetas en el aparato que indiquen que contiene refrigerante inflamable.

11. Recuperación

Al retirar el refrigerante de un sistema, ya sea para el mantenimiento o la desactivación, se recomienda que todos los refrigerantes se recuperen de manera segura.

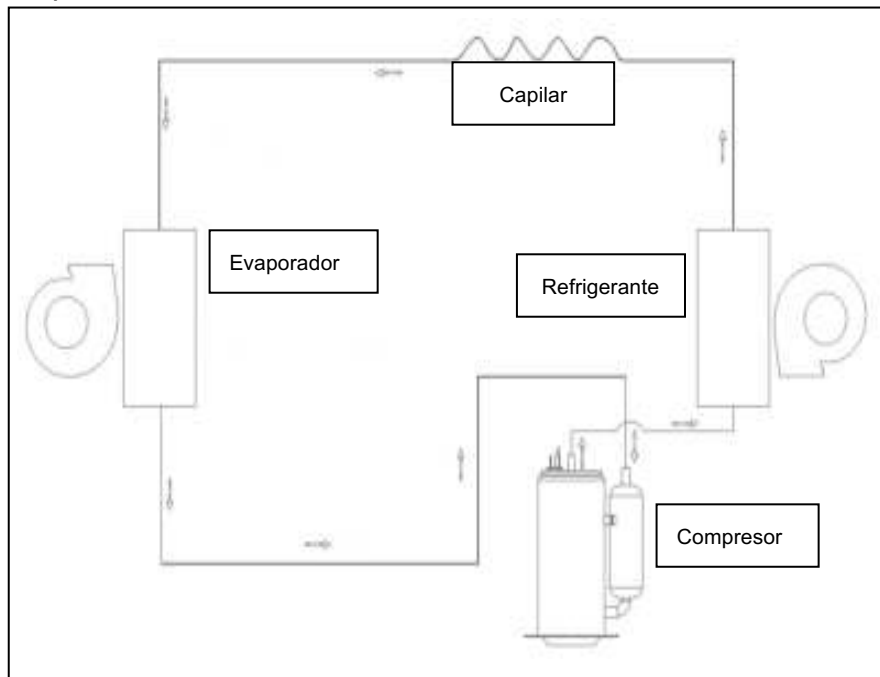
Al transferir refrigerante a los cilindros, asegúrese de que solo se utilicen los cilindros de recuperación apropiados. Asegúrese de que esté disponible el número correcto de cilindros para mantener la carga total del sistema. Todos los cilindros que se utilizarán deberán estar diseñados para el refrigerante recuperado y etiquetados (es decir, cilindros especiales para la recuperación de refrigerante). Los cilindros deben tener válvula de alivio de presión y válvulas de cierre en buen estado de funcionamiento. Los cilindros de recuperación vacíos se deben evacuar y, si es posible, se deben enfriar antes de que se produzca la recuperación.

El equipo de recuperación debe estar en buen estado de funcionamiento y con las instrucciones pertinentes, además debe ser adecuado para la recuperación de refrigerantes inflamables. También deben estar disponibles básculas de pesaje calibradas y en buen estado de funcionamiento. Las mangueras deben estar completas con acoplamientos de desconexión sin fugas y en buenas condiciones. Antes de usar la máquina de recuperación, verifique que esté en buen estado de funcionamiento y que todos los componentes eléctricos asociados estén sellados para evitar la ignición en caso de una fuga de refrigerante. Consulte al fabricante en caso de duda. El refrigerante recuperado se devolverá al proveedor de refrigerante en el cilindro de recuperación correcto en conjunto con la nota de transferencia de residuos correspondiente. No mezcle refrigerantes en unidades de recuperación y especialmente en cilindros.

Si se deben retirar los compresores o los aceites del compresor, asegúrese de que hayan sido evacuados a un nivel aceptable para asegurarse de que no queden rastros de refrigerante inflamable. El proceso de evacuación se llevará a cabo antes de devolver el compresor a los proveedores. Puede emplearse calefacción eléctrica para acelerar el proceso. El drenaje del aceite debe llevarse a cabo de manera segura.

Apéndice

Diagrama esquemático del aire acondicionado.



Para conocer los parámetros técnicos específicos del modelo, consulte la etiqueta de clasificación del aparato.

MEDIO AMBIENTE

ATENCIÓN:



No se deshaga de este producto como lo hace con otros productos del hogar. Existe un sistema selectivo de colecta de este producto puesto en marcha por las comunidades, debe de informarse en su ayuntamiento acerca de los lugares en los que puede depositar este producto. De hecho, los productos eléctricos y electrónicos pueden contener sustancias peligrosas que tienen efectos nefastos para el medio ambiente o para la salud humana y deben ser reciclados. El símbolo aquí presente indica que los equipos eléctricos o electrónicos deben de ser cuidadosamente seleccionados, representa un recipiente de basura con ruedas marcado con una X.

Adeva SAS / H.Koenig Europe - 8 rue Marc Seguin, 77290 Mitry-Mory, France
www.hkoenig.com - sav@hkoenig.com - contact@hkoenig.com - Tél: +33 1 64 67 00 05

ITALIANO

ISTRUZIONI DI SICUREZZA

Il refrigerante utilizzato in questo condizionatore portatile è l'idrocarburo ecologico R290. Questo refrigerante è inodore e rispetto al refrigerante alternativo, l'R290 è un refrigerante privo di ozono.

Si prega di leggere le istruzioni prima dell'uso e la riparazione.

I disegni forniti in questo manuale possono non corrispondere agli oggetti fisici dell'apparecchio. Si prega di fare riferimento agli oggetti fisici.

AVVERTIMENTI

- Non usare apparecchi per accelerare il processo di sbrinamento o per pulire l'apparecchio, diversi da quelli consigliati dal produttore.
- L'apparecchio deve essere conservato in una stanza senza funzionamento continuo di fonti di accensione (ad esempio: Fiamme libere, apparecchiature a gas o un riscaldatore elettrico operante).
- Non perforare o bruciare.
- Essere consapevoli del fatto che i refrigeranti possono essere inodori.
- L'apparecchio deve essere installato, utilizzato e conservato in una stanza con una superficie superiore ai 12.5 m².
- Mantenere le aperture di ventilazione libere da ogni ostruzione.
- La manutenzione deve essere eseguita solo come raccomandato dal produttore.
- L'apparecchio deve essere conservato in un'area ben ventilata e la dimensione della camera deve corrispondere alle dimensioni specifiche per il funzionamento.
- Chiunque sia coinvolto nel funzionamento e nella rottura di un circuito refrigerante dovrebbe essere in possesso

di un certificato valido rilasciato da un servizio di valutazione del settore, che autorizza a gestire in modo sicuro i refrigeranti in conformità ad una specifica valutazione del settore.

- La manutenzione deve essere eseguita solo come raccomandato dal produttore dell'apparecchiatura. La manutenzione e le riparazioni che richiedono l'assistenza di personale qualificato, devono essere effettuate sotto la supervisione della persona competente nell'uso di refrigeranti infiammabili.
- Tutte le procedura che necessita di mezzi di sicurezza deve essere effettuata solo da persone competenti.
- Fare attenzione a non urtare l'apparecchio durante lo spostamento, per evitare perdite nel circuito refrigerante.



Materiale infiammabile.
Questo apparecchio
contiene Propano R290,
un refrigerante
infiammabile



Consultare il
manuale
operatore



Consultare il
manuale
tecnico



Leggere il manuale
operatore

Consultare il mani

Il dosaggio massimo di refrigerante è 260g.

Note:

- Questo condizionatore portatile è adatto solo per uso interno e non è adatto per altre applicazioni.
- Seguire le regole di connessione alla rete locale durante l'installazione del climatizzatore e assicurarsi che sia correttamente collegato con messa a terra. Se avete qualche domanda sulla installazione elettrica, seguire le istruzioni del produttore, e se necessario, rivolgersi ad un elettricista professionista per l'installazione.
- Posizionare l'apparecchio in un luogo piano e asciutto e mantenere una distanza di 50 cm sopra e tra l'apparecchio e gli oggetti o le pareti circostanti.
- Dopo che il condizionatore portatile è installato, assicurarsi che la spina sia integra e saldamente collegato alla presa di corrente, e posizionare il cavo di alimentazione in maniera ordinata per evitare che qualcuno vi inciampi estraendo la spina.
- Non inserire alcun oggetto nelle aperture di ingresso e uscita del condizionatore portatile. Mantenere l'ingresso e l'uscita dell'aria liberi da ostruzioni.
- Quando si installano tubi di drenaggio, assicurarsi che siano collegati correttamente, e non siano distorti o piegati.
- Per regolare le bocchette d'aria superiore ed inferiore della presa d'aria, spostarle delicatamente per evitare che si danneggino.
- Quando si sposta l'apparecchio, assicurarsi che sia in posizione verticale.
- L'apparecchio dovrebbe stare lontano da benzina, gas infiammabile, stufe e altre fonti di calore.
- Non smontare, revisionare e modificare l'apparecchio in modo arbitrario, questo causerà un malfunzionamento o addirittura potrebbe provocare danni a persone e beni. Per evitare pericoli, se si verifica un guasto, chiedere al

produttore o a dei professionisti di ripararlo.

- Non installare e utilizzare il condizionatore portatile in bagno o in altri ambienti umidi.
- Non tirare la spina per spegnere l'apparecchio.
- Non collocare tazze o altri oggetti sull'apparecchio per evitare che l'acqua o altri liquidi si infiltrino nel condizionatore portatile.
- Non utilizzare spray insetticidi o altre sostanze infiammabili vicino al condizionatore portatile.
- Non pulire o lavare il condizionatore portatile con solventi chimici come benzina o alcol. Quando è necessario pulirlo, bisogna scollegare l'alimentazione elettrica, e utilizzare un panno morbido e umido. Se l'apparecchio è molto sporco, strofinare con un detergente delicato.
- Questo dispositivo non è destinato all'uso da parte di persone con capacità ridotte sul piano fisico, mentale o sensoriale o sulla mancanza di esperienza e conoscenza (compresi i bambini), a meno che non abbiano ricevuto istruzioni per l'uso dell'apparecchio da parte di una persona responsabile del loro uso di sicurezza dell'apparecchio e capire i rischi coinvolti. I bambini dovrebbero essere sorvegliati per assicurarsi che non giochino con il dispositivo
- Non utilizzare l'apparecchio se il cavo o la spina sono danneggiati, se non funziona correttamente o se è stato danneggiato o caduto. Se il cavo di alimentazione è danneggiato, deve essere sostituito dal costruttore, da un suo rappresentante o da una persona qualificata al fine di evitare rischi.
- L'apparecchio deve essere installato in conformità con le normative di cablaggio nazionali.
- Il dispositivo non deve essere utilizzato se è stato lasciato cadere, sono visibili evidenti segni di danneggiamento o se presenta perdite.

- Questo apparecchio può essere utilizzato da bambini a partire da 8 anni, purché sorvegliati e istruiti all'uso sicuro dell'apparecchio e pienamente a conoscenza dei pericoli che comporta.
- La pulizia e la manutenzione non devono essere eseguite da bambini a meno che abbiano più di 8 anni e siano sorvegliati da un adulto.
- Conservare l'apparecchio e il cavo di alimentazione fuori dalla portata di bambini di età inferiore a 8 anni.
- Quando si utilizzano apparecchiature elettriche, è necessario adottare sempre misure di sicurezza per prevenire il rischio di incendi, scosse elettriche e/o lesioni in caso di uso improprio.
- Accertarsi che la tensione nominale sulla targhetta corrisponda alla tensione principale della vostra installazione. In caso contrario, contattare il rivenditore e non collegare l'unità.
- Non lasciare mai l'unità incustodita durante il funzionamento.
- Si prega di tenere questo documento a portata di mano e di consegnarlo al futuro proprietario in caso di trasferimento del dispositivo.
- Il dispositivo non deve essere utilizzato se è stato lasciato cadere, sono visibili evidenti segni di danneggiamento o se presenta perdite.

TRASPORTO, MARCATURA E STOCCAGGIO DELL'UNITÀ

1. Trasporto di apparecchiature contenenti refrigeranti infiammabili
Il rispetto delle norme di trasporto
2. Marcatura delle apparecchiature che utilizzano sigle
Il rispetto della normativa vigente
3. Smaltimento delle apparecchiature che utilizzano refrigeranti infiammabili
Rispetto della normativa nazionale
4. Stoccaggio di attrezzature / apparecchiature
Lo stoccaggio dell'attrezzatura deve essere in accordo con le istruzioni del produttore.

5. Stoccaggio di attrezzature imballate (invendute)

Lo stoccaggio e la protezione dell'imballaggio dovrebbero essere effettuate in modo tale che eventuali danni meccanici alle apparecchiature all'interno dell'imballaggio non causino una perdita della carica di refrigerante.

Il numero massimo di pezzi di apparecchiature che è permesso stoccare insieme è determinato dalle normative locali.

L'apparecchio deve essere conservato in modo da evitare che si verifichino danni meccanici
Osservazione:

La migliore temperatura operativa per il raffreddamento è di 17-35 ° C e la temperatura ambiente ottimale per il riscaldamento è 8-25 ° C.

Parametro fusibile: $\phi 5.0 \times 20 \text{mm}$ 3.15A, 250Vac.

L'apparecchio contiene gas infiammabile R290 e la carica massima di refrigerante è di 260 g. Il valore di GWP del refrigerante R290 è 3.

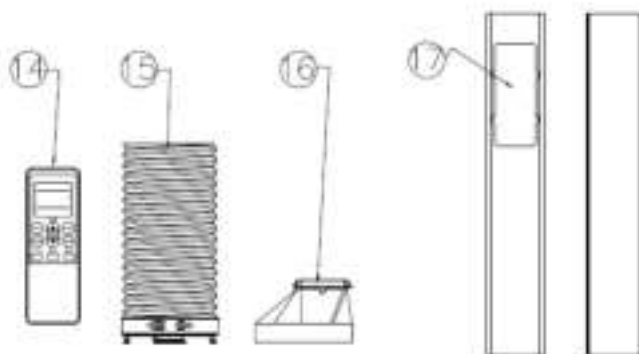
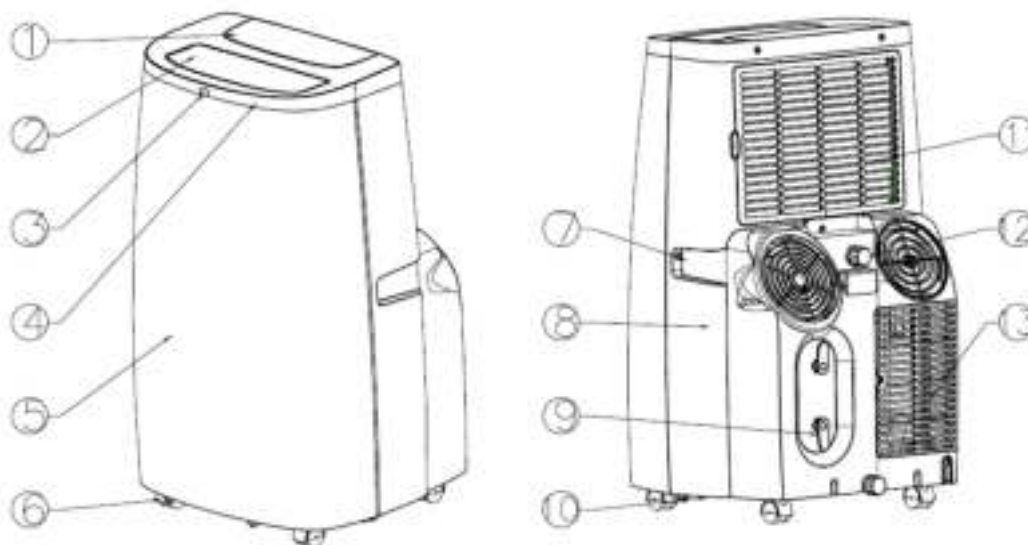
Per tutte le riparazioni è necessario contattare il centro di assistenza autorizzato più vicino e seguire rigorosamente solo le istruzioni del produttore.

CARATTERISTICHE E IDENTIFICAZIONE DELLE PARTI

1. Caratteristiche

- Nuovo aspetto con un design compatto, più lussuoso e di alto livello.
- Uscita automatica del deflettore e direzione del flusso regolabile.
- Design bello e semplice, il telecomando ergonomico, può essere collocato nell'apposito supporto sul retro dell'apparecchio.
- Funzionamento semplice, pannello di controllo LED display digitale e telecomando LCD .
- L'avvolgicavo e lo zoccolo universale proteggono il cavo di alimentazione.
- Funzione timer 24 ore, con spia acustica on / off.
- Ripartenza di sicurezza di 3 minuti per la protezione del compressore e altre funzioni di protezione multipla.
- Tubo di scarico unico e dispositivi di fissaggio, installazione semplice.

2. Identificazione delle parti



- | | |
|--|--|
| 1. Pannello di controllo | 6. Telaio |
| 2. Bocchetta orizzontale | 7. Gruppo filtro superiore |
| 3. Finestra di ricezione segnale telecomando | 8. Tappo drenaggio |
| 4. Pannello superiore | 9. Gruppo filtro inferiore |
| 1. Guscio anteriore | 10. Telecomando |
| 2. Ruote universali | 11. Connettore rotondo e tubo di scarico |
| 3. Maniglia | 12. Adattatore tubo di scarico |
| 4. Guscio posteriore | 13. Kit finestra |
| 5. Supporto avvolgicavo | |

FUNZIONAMENTO E IMPOSTAZIONI

1. Pannello di controllo

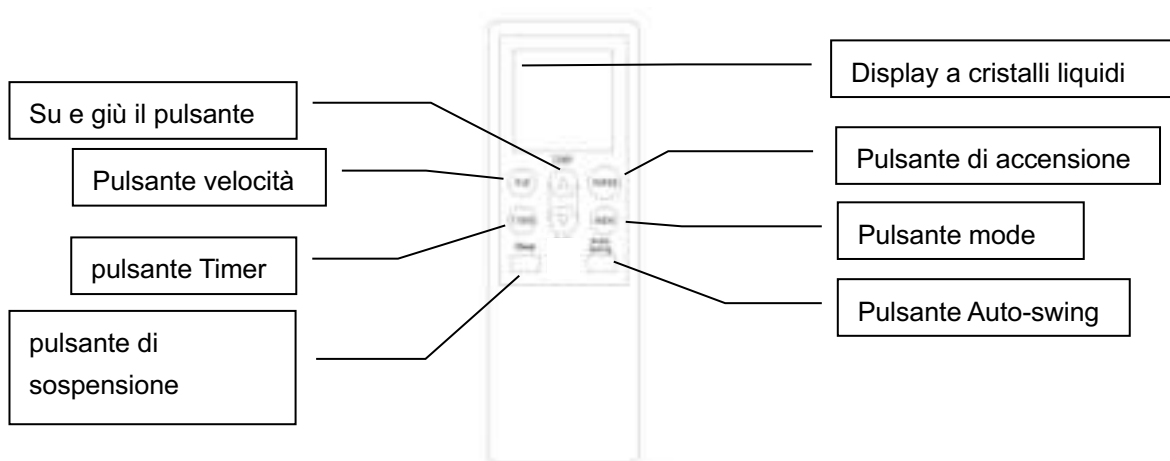
Questa sezione illustra il corretto funzionamento del condizionatore d'aria portatile.





2. Funzionamento Pannello di controllo

- A. Pulsante di alimentazione: Premere il pulsante di accensione, l'indicatore di accensione si illumina di verde; quando l'alimentazione è accesa, premere il pulsante di accensione, la spia di alimentazione si spegne (o si illumina di rosso).
- B. Pulsante Modalità: toccare questo tasto per passare alla modalità che si desidera selezionare, per ogni modalità selezionata tra FRESCO-DEUMIDIFICAZIONE-VENTILATORE-RISCALDAMENTO (l'Unità di solo raffreddamento non dispone della modalità riscaldamento), l'indicatore si accenderà di conseguenza.
- C. Pulsante ventola: premere questo pulsante per modificare la velocità della ventola tra Alta, Media o Bassa.
- D. Pulsante Su: premere il tasto fino a aumentare la temperatura o il tempo.
- E. Pulsante Giù: Premere il tasto giù per abbassare la temperatura o il tempo.
- F. Pulsante Timer: premere il tasto timer per impostare o annullare la temporizzazione.
- G. "Su" + "Giù": Premere questi pulsanti contemporaneamente, per cambiare la visualizzazione della temperatura (Fahrenheit / Celsius).
- H. "Timer" + "Su": Premere questi pulsanti contemporaneamente per selezionare la modalità Notte.
- I. "Timer" + "Ventola": Premere questi pulsanti contemporaneamente per attivare o disattivare la funzione oscillazione.

3. Funzionamento del telecomando



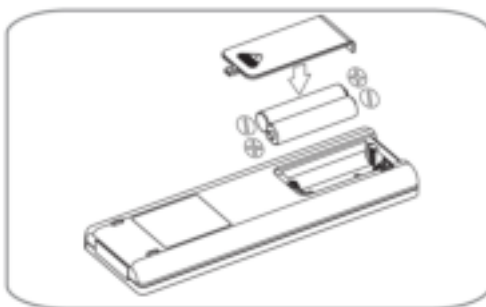
- 1) Power: premere questo pulsante per avviare l'unità quando è spenta o arrestare l'unità quando è in funzione.
- 2) Mode: premere questo pulsante per selezionare la modalità di funzionamento.
- 3) : Premere questo pulsante per aumentare la temperatura ambiente e l'impostazione del timer.
- 4) : Premere questo pulsante per diminuire la temperatura ambiente e l'impostazione del timer.
- 5) Fan: premere questo pulsante per selezionare la velocità della ventola in sequenza: Bassa → Media → Alta.
- 6) Auto-Swing: premere questo pulsante per attivare o disattivare la funzione di auto-swing.
- 7) Sleep: premere questo pulsante per selezionare o annullare la modalità sleep (abilitata soli in modalità di raffreddamento o di risparmio energia).
- 8) Timer: premere questo pulsante per impostare l'Accensione e lo Spegnimento. Il tempo può essere regolato tra 0,5-24 ore. Si salta ad intervalli da 0,5 entro 5 ore e di 1 ora per più di 5 ore, il tempo impostato lampeggia 5 volte sullo schermo per confermare l'impostazione.

Prima di utilizzare il telecomando, installare le batterie AAA nel telecomando.

- 1) Premere e far scorrere scivolare il coperchio della batteria sul retro del telecomando, è possibile rimuovere il coperchio.
- 2) Inserire due nuove batterie alcaline AAA nel vano batterie, facendo attenzione a notare la polarità corretta.

Reinserire il coperchio della batteria, assicurandosi che la linguetta di bloccaggio scatti in posizione.

Assicurarsi di posizionare le batterie con la corretta polarità delle batterie



Note:

- Utilizzare solo batterie alcaline. Non utilizzare batterie ricaricabili.
- Sostituire sempre entrambe le batterie con batterie nuove, non mischiare batterie vecchie e nuove.
- Se non si utilizza il condizionatore d'aria diverso tempo, rimuovere le batterie dal telecomando.

4. Stoccaggio del telecomando

- 1) Inserire il telecomando nello scomparto incorporato nel lato sinistro dell'unità, e spingere delicatamente per fissarlo.
- 2) Premere la parte inferiore del vano incorporato delicatamente per aprirlo ed estrarre telecomando.

Nota: Al fine di evitare di perdere il telecomando, si prega di mettere il telecomando nell'apposito vano quando non lo si utilizza.



⚠ Avvertimento

Se il liquido delle batterie viene a contatto con la pelle o gli indumenti, lavare bene con acqua pulita, non utilizzare il telecomando se le batterie hanno perdite.

Se si ingerisce il liquido dalle batterie, lavarsi i denti e consultare il medico. Le sostanze chimiche contenute nelle batterie potrebbero causare scottature o altri pericoli per la salute.

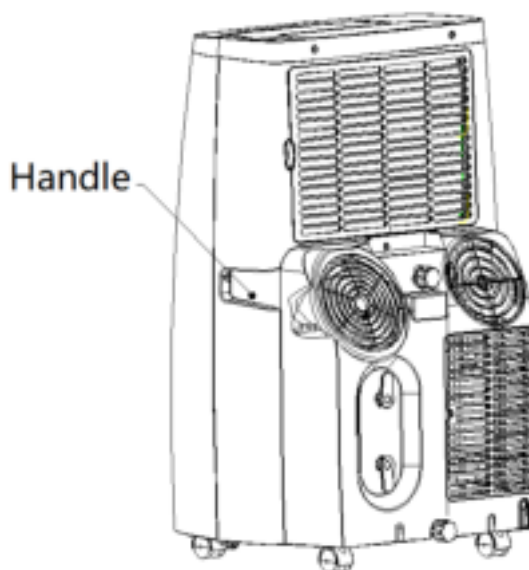
MANIPOLAZIONE E TRASPORTO

1. Gestire e spostare l'unità

1) Usare le maniglie sui pannelli laterali per spostare l'unità in posizione verticale.

Nota:

- Tenere l'unità in posizione verticale in qualunque tipo di spostamento.
- Scaricare completamente l'acqua dall'unità per evitare perdite di acqua e di bagnare il pavimento o la moquette prima di spostare l'unità.
- Estrarre il telecomando dall'apposito vano.

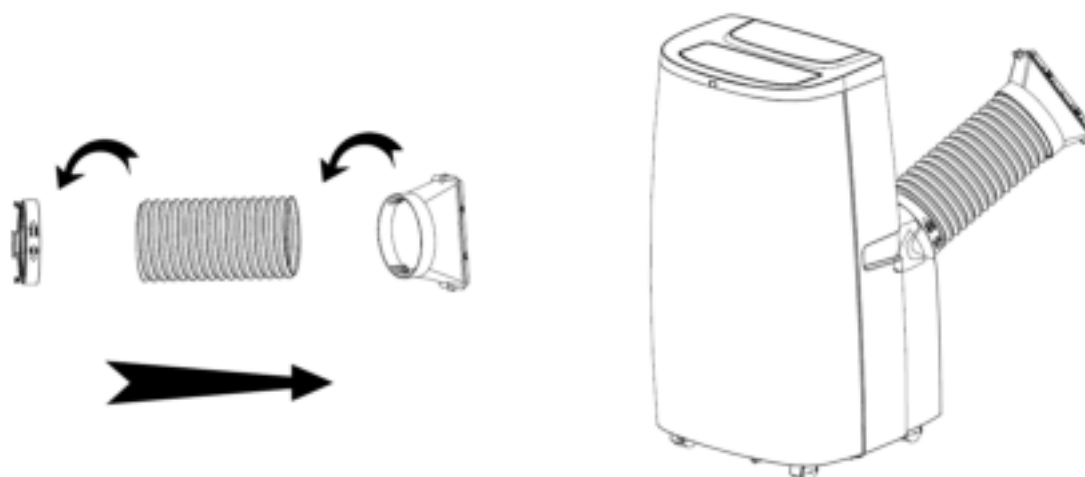


INSTALLAZIONE E REGOLAZIONE

1. Installazione

Note:

- Mantenere questo condizionatore portatile in posizione verticale almeno 2 ore prima della prima installazione.
 - Questo condizionatore deve essere spostato in modo adeguato; tenere l'unità in posizione verticale durante lo spostamento. Il condizionatore d'aria deve essere sistemato su una superficie piana.
 - Non installare o utilizzare questo condizionatore d'aria in bagno o in altri ambienti umidi.
- 1) Installazione di assemblaggio tubo di scarico e relativo adattatore.



- A. Estrarre il tubo di scarico, il suo connettore e l'adattatore, per rimuovere il sacchetto di plastica.
- B. Estendere un'estremità del tubo di scarico, avvitare alla fine della scanalatura del connettore circolare in senso antiorario per almeno 3 giri.
- C. Estendere un'altra estremità del tubo di scarico, avvitare l'adattatore in senso antiorario per almeno 3 giri.

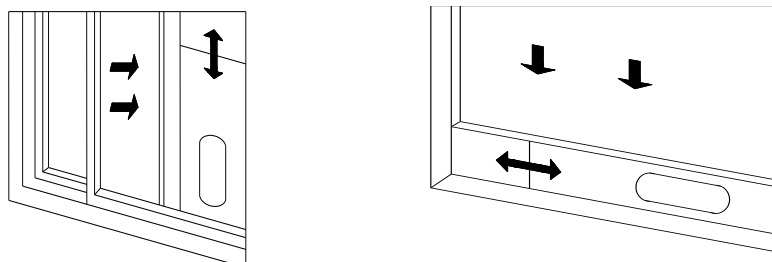
Nota: Posizionare correttamente il connettore rotondo a vite e l'adattatore, con almeno 3 giri, per mantenere una buona connessione della tubazione flessibile di scarico.

2) Installazione della guarnizione

- A. Aprire leggermente la finestra, mettere la guarnizione piastra nella finestra, sia in posizione verticale che orizzontale.
- B. Estendere gli elementi e regolarli in base alla lunghezza della finestra, tenere entrambe le estremità sul bordo della finestra e fissarle con viti.

Nota:

- Mantenere le due estremità della guarnizione sui bordi della finestra, per assicurare la tenuta stagna.
- Avvitare le viti in posizione.

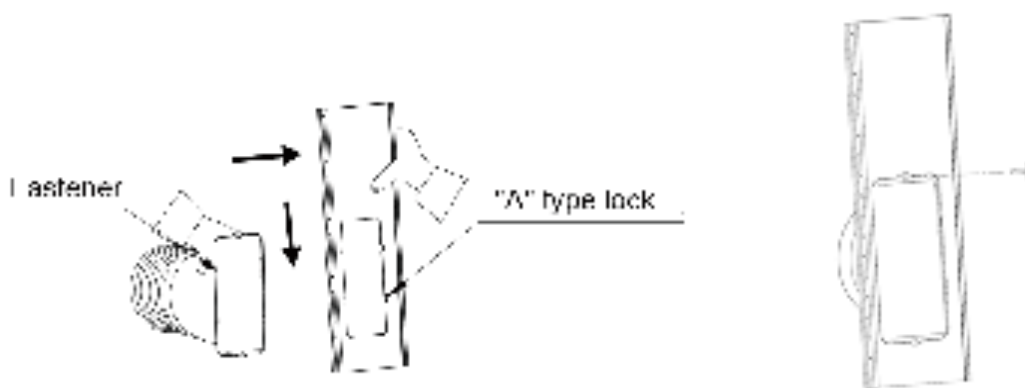


3) Installazione dell'unità

- A. Spostare l'unità con il tubo di scarico installato davanti alla finestra e tenere l'unità ad almeno 50 cm di distanza da pareti o altri oggetti.

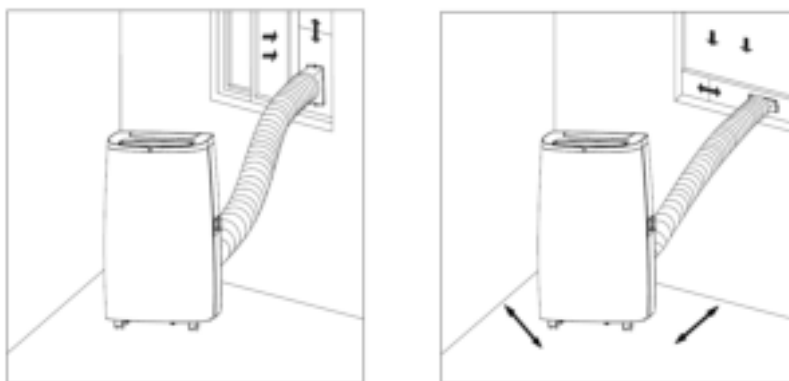


- B. Installare l'estremità rettangolare del tubo flessibile di scarico nel corrispondente foro a rettangolo nella finestra, fissarlo con una vite e chiudere la finestra.



Nota:

- Far scorrere l'adattatore verso il basso e assicurarsi che scheda sia installata correttamente.
- Assicurarsi che la direzione del pannello coincida con la piastra guarnizione.
- Il tubo di scarico non può essere piegato o flesso per più di 45°, al fine di mantenere una buona ventilazione del tubo di scarico.



Note importanti:

Il tubo di scarico è lungo 280 millimetri-1500 millimetri e questa lunghezza è determinata sulla base delle specifiche del condizionatore (s). Non utilizzare prolunghe e non sostituirlo con altri tubi diversi in quanto ciò potrebbe pregiudicare le funzioni del climatizzatore. Il tubo di scarico deve essere liscio altrimenti potrebbe esserci un surriscaldamento o danni.

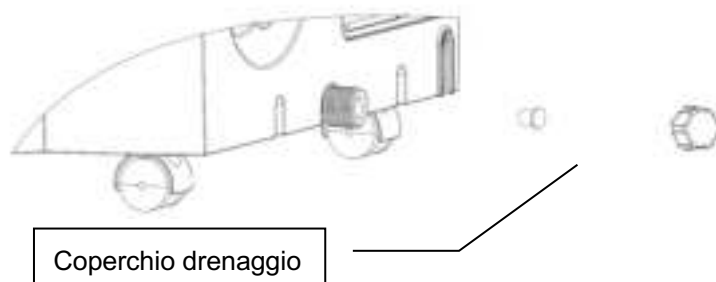
ISTRUZIONI PER IL DRENAGGIO

1. Drenaggio manuale:

- 1) Una volta che l'unità si spegne per via del raggiunto livello acqua, spegnere l'unità e scollegarla.
- 2) Mettere il vassoio sotto la bocchetta di uscita dell'acqua sul retro dell'unità.
- 3) Svitare il coperchio di scarico, staccare il tappo e far cadere l'acqua nella vaschetta.
- 4) Collegare il tappo e avvitare il coperchio di scarico saldamente dopo il drenaggio.

Note:

- Proteggere adeguatamente il coperchio di scarico ed il tappo acqua.
- Spostare con attenzione l'unità per evitare perdite.
- Inclinare l'apparecchio leggermente all'indietro durante il drenaggio.
- Bloccare il foro di scarico prima che il vassoio sia pieno e se non può contenere tutta l'acqua presente nell'unità per impedire che l'acqua si rovesci bagnando il pavimento o la moquette.
- Il tappo dell'acqua e la piletta devono essere saldamente installati, per evitare perdite e bagnare il pavimento o la moquette quando l'unità riparte.

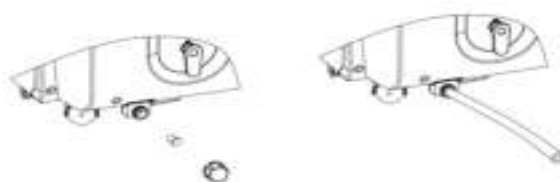


2. Drenaggio continuo

- 1) Svitare il coperchio e scollegare il tappo acqua.
- 2) Collegare un tubo di scarico $\phi 13\text{mm}$, più profondamente possibile per evitare perdite.
- 3) Tirare il tubo di scarico fino al bagno o verso l'esterno.

Note:

- Il tubo di scarico deve essere installato quando non c'è acqua nel vassoio.
- Si suggerisce che non utilizzare il drenaggio continuo quando l'unità è in modalità di RAFFREDDAMENTO, al fine di garantire un sufficiente riciclo acqua nell'unità per migliorare il sistema di raffreddamento.
- Mettere il tubo di scarico in un luogo inaccessibile, non superiore al foro di drenaggio e mantenere tubo di scarico dritto senza alcuna flessione.
- Mantenere il coperchio di scarico e il suo tappo in posizione quando viene adottato drenaggio continuo.
- **Il tubo di scarico deve essere acquistato a parte**



FUNZIONI DI PROTEZIONE MULTIPLE

1. Funzione di protezione Anti-frozen

In modalità RAFFREDDAMENTO, quando il compressore funziona continuamente per più di 10 minuti, se la temperatura del tubo è $\leq 2^{\circ}\text{C}/ 36^{\circ}\text{F}$ per 20 secondi, la funzione di protezione anti-frozen si attiva, la spia E4 viene visualizzata sul display LCD, il compressore e il motore smetteranno di funzionare, ma ventola superiore rimane in funzione; Se la temperatura del tubo è $\geq 8^{\circ}\text{C}/ 46^{\circ}\text{F}$, L'unità disattiverà la protezione anti-frozen e recupererà la condizione di lavoro originale. Il Compressore riattiverà con 3 minuti di ritardo per la sua protezione.

2. Allarme di sicurezza del serbatoio d'acqua pieno e disattivazione

Quando il volume d'acqua supera il livello di allarme, si attiva un avviso automatico e l'icona serbatoio-pieno si illumina sul display LCD, è necessario scaricare la condensa e riavviare l'unità. (Per ulteriori informazioni su come far drenare l'acqua, si prega di fare riferimento alla sezione "Istruzioni per il drenaggio"). Se l'unità non viene arrestata manualmente, l'unità ritornerà allo stato operativo originale automaticamente una volta che l'acqua è stata completamente scaricata. Oppure collegare la corrente per riavviare l'unità.

3. Funzione di protezione partenza ritardata compressore

Questa unità offre una protezione al riavvio del compressore. Il compressore può iniziare a funzionare immediatamente quando l'unità è accesa prima volta, ci sono 3 minuti ritardo quando il compressore viene spento.

MANUTENZIONE E ASSISTENZA

Nota: assicurarsi di spegnere l'apparecchio e staccare la spina prima di effettuare la manutenzione o inviarlo al centro di assistenza.

1. Pulizia delle superfici

- 1) Pulire la superficie dell'unità con un panno morbido inumidito e non usare solventi chimici come alcool e benzina per evitare danni all'unità.
- 2) Pulire lo scarico dell'aria sporco o le bocchette con un panno morbido umido e detersivo.
- 3) Qualsiasi solvente chimico è vietato per la pulizia dell'unità ed è vietato mettere queste cose in prossimità dell'unità per lungo tempo.
- 4) Qualsiasi solvente, alcool o altri solventi simili sono vietati per la pulizia dell'unità.

2. Pulizia del filtro

Pulire il filtro una volta ogni due settimane, un filtro sporco influenzare in modo negativo il funzionamento unità.

1) Come pulire il filtro

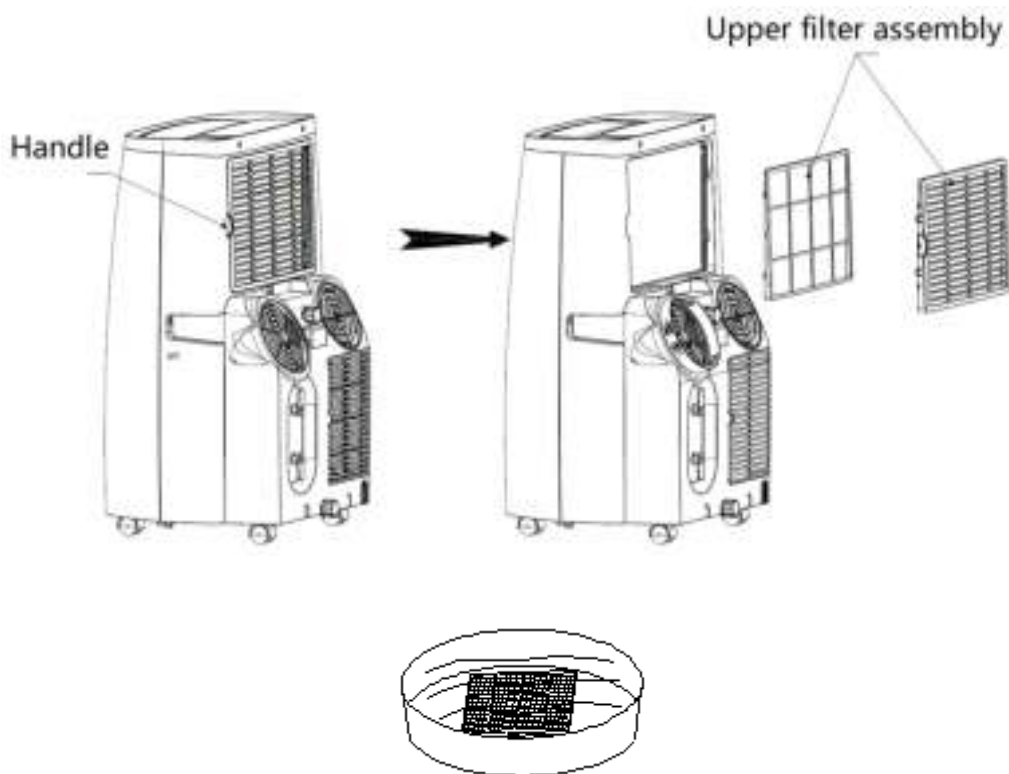
A. Prendere il filtro ed estrarlo delicatamente in direzione corretta.

B. Pulire le particelle di sporco con un pulitore se necessario.

C. Immergere e lavare il filtro delicatamente in acqua calda (circa 40°C) con detergente neutro, quindi risciacquare e asciugare all'ombra.

Note:

- Estrarre il filtro con delicatezza.
- Rimuovere la griglia e poi il filtro a pannello laterale, per evitare qualsiasi torsione o danni.
- Non schiacciare la maglia.
- Non colpire la rete con oggetti appuntiti o pennelli.



3. Installazione del filtro

Posizionare l'estremità del filtro verso lo slot quindi spingere delicatamente il filtro nella fessura.

Note:

- Assicurarsi di installare il filtro a pannello laterale e poi il filtro al pannello posteriore.
- Installare il filtro con direzione opposta a quella della rimozione.
- Installare il filtro delicatamente per evitare danni.

4. Stoccaggio stagionale

- 1) Svitare il coperchio di scarico ed estrarre il tappo per scaricare completamente l'acqua di condensa. (Nota: l'angolo di inclinazione dell'unità deve essere ≤ 30).
- 2) Mantenere l'unità in funzione in modalità ventilatore per mezza giornata per asciugare completamente l'interno dell'unità ed evitare che si formi muffa.
- 3) Spegnerne l'apparecchio, estrarre la spina poi avvolgere il cavo di alimentazione attorno all'avvolgicavo, inserire la spina nel foro di fissaggio universale sul pannello posteriore dell'unità, installare il tappo di drenaggio dell'acqua.
- 4) Rimuovere il gruppo tubo di scarico, pulire e posizionarlo in modo adeguato.

Note:

- Tenere il tubo di scarico con entrambe le mani durante la rimozione.
 - Spingere i dispositivi di fissaggio utilizzando i pollici, quindi estrarre il tubo di scarico.
- 5) Imballare il condizionatore d'aria correttamente con un sacchetto di plastica morbida e metterlo in luogo asciutto e con adeguate misure anti polvere, e tenere l'unità lontano dalla portata dei bambini.

6) Estrarre le batterie dal telecomando e conservarlo correttamente.

Nota:

Assicurarsi che l'unità venga posizionata in un luogo asciutto. Tutti gli accessori del gruppo devono essere protetti e conservati insieme adeguatamente.

RISOLUZIONE DEI PROBLEMI

Si prega di controllare l'unità e suggerimenti di seguito prima di richiedere un servizio professionale, ma mai smontare o riparare l'apparecchio da soli, può causare danni a voi e la vostra proprietà.

Se i problemi non elencati nella tabella si verificano o soluzioni consigliate non funzionano, si prega di contattare il servizio assistenza professionale.

Problema	Causa	Soluzione
L'unità non si avvia	Mancanza di alimentazione	Collegare l'unità ad una presa di corrente e accenderla.
	Serbatoio acqua pieno, relativa spia display accesa	Drenare l'acqua immagazzinata nell'unità.
	Temperatura ambiente troppo basso o alta	Si consiglia di utilizzare questa unità tra gli 8 e i 35°C
	La temperatura ambiente è inferiore alla temperatura impostata o la temperatura ambiente è superiore al riscaldamento impostato	Cambiare la temperatura impostata
Raffreddamento non sufficiente	Unità sotto luce diretta del sole	Chiudere la tenda della finestra
	Le porte e le finestre sono aperte, la sala è affollata o ci sono altre fonti di calore	Chiudere la porta e la finestra, rimuovere altre fonti di calore, e aggiungere nuovi condizionatori d'aria
	Filtro sporco	Pulire o sostituire le maglie del filtro
	Bocchette d'ingresso e di uscita dell'aria intasate	Rimuovere le ostruzioni
Alto livello di rumore	L'unità è posizionata su una superficie irregolare.	Mettere l'unità su una superficie piana e solida (può ridurre rumore)
Il compressore non funziona	Avvio della funzione protezione anti surriscaldamento.	Attendere che la diminuzione della temperatura, l'unità ripartirà automaticamente
Il telecomando non funziona	Troppo distanza	Portare il telecomando in prossimità del climatizzatore e ce non ci siano intralci tra il telecomando e ricevitore del segnale sull'unità.
	Il telecomando non mira al ricevitore del segnale sull'unità.	
	Le batterie sono scariche	Sostituire le batterie
Visualizzazione del codice "E1"	Sensore di temperatura tubo guasto	Controllare il sensore di temperatura e dei circuiti collegati
Visualizzazioni del codice "E2"	Sensore di temperatura ambiente guasto	Controllare il sensore di temperatura ambiente e circuiti collegati
Visualizzazioni del codice "E4"	Protezione antigelo	Ripristinare automaticamente le funzioni una volta lche a protezione antigelo è finita.
Spia FL	Serbatoio acqua pieno	Scaricare la condensa e ri-avviare l'unità

1. INFORMAZIONI SULLA MANUTENZIONE

1) Controlli area di installazione

Prima di iniziare a lavorare su sistemi contenenti refrigeranti infiammabili, sono necessari controlli di sicurezza per assicurarsi che i rischi di incendio siano ridotti al minimo. Per la riparazione del sistema di refrigerazione, è necessario prendere le seguenti precauzioni prima di eseguire lavori sul sistema.

2) Procedura di lavoro

Il lavoro si realizza in virtù di una procedura controllata atta a ridurre al minimo il rischio di fuoriuscita di un gas infiammabile o vapore durante l'esecuzione dei lavori.

3) Zona di lavoro Generale

Tutto il personale di manutenzione e chiunque lavori in ambito locale deve essere istruito sulla natura del lavoro svolto. I lavori in spazi confinati devono essere evitati. La zona intorno all'area di lavoro deve essere sezionata. Garantire che la zona sia stata messa in sicurezza per il controllo di materiale infiammabile.

4) Verifica della presenza di refrigerante

L'area deve essere controllata con un rilevatore di refrigerante appropriato prima e durante il lavoro, per garantire che il tecnico sia a conoscenza di atmosfere potenzialmente infiammabili. Assicurarsi che i rilevatori di perdite che si utilizzano siano adatti per l'uso con refrigeranti infiammabili, cioè non scintillanti, adeguatamente sigillati o con sicurezza intrinseca.

5) Presenza di un estintore

Se uno qualsiasi dei lavori a caldo deve essere effettuato su impianti di refrigerazione o parti associate, attrezzature appropriate per l'estinzione del fuoco devono essere disponibili e a portata di mano. Disporre di polvere secca o di un estintore a CO₂ adiacente alla zona di ricarica.

6) Non ci sono fonti di ignizione

Nessuna persona operante su un sistema di refrigerazione che coinvolga tubazioni che contengono o hanno contenuto refrigerante infiammabile dovrebbe utilizzare una qualsiasi fonte di accensione che possa comportare il rischio di incendio o esplosione. Tutte le possibili fonti di ignizione, tra cui il fumo di sigaretta, devono essere tenuti sufficientemente lontano dal luogo di installazione, di riparazione, di rimozione o smaltimento, durante il quale il refrigerante infiammabile può eventualmente essere rilasciato allo spazio circostante. Prima di lavorare, l'area attorno all'apparecchiatura va rilevata per assicurarsi che non vi siano pericoli di incendio o rischi di accensione. Devono essere esposti segnali con la dicitura "No Smoking"

7) Ventilazione

Assicurarsi che la zona sia all'aperto o che sia adeguatamente ventilata prima di mettersi al lavoro sul sistema o durante lo svolgimento di qualsiasi lavoro a caldo. Un certo grado di ventilazione deve continuare durante il periodo in cui il lavoro viene svolto. La ventilazione deve disperdere in modo sicuro il refrigerante rilasciato e preferibilmente espellerlo all'esterno nell'atmosfera.

8) Controlli agli impianti di refrigerazione

Quando dei componenti elettrici necessitano di riparazione, assicurarsi che siano idonei allo scopo e abbiano le specifiche corrette. In ogni momento vanno seguite le linee guida per la manutenzione e l'assistenza del produttore. In caso di dubbi consultare il reparto tecnico del produttore per l'assistenza.

I seguenti controlli devono essere applicati agli impianti che utilizzano refrigeranti infiammabili:

- a) La dimensione della carica è sia in conformità con la dimensione della camera all'interno della quale sono installati il refrigerante e le sue parti.
- b) I macchinari e le prese di ventilazione funzionano in modo adeguato e non sono ostruite.
- c) Se viene utilizzato un circuito di refrigerazione indiretta, il circuito secondario deve essere

controllato per la presenza di refrigerante.

- d) La marcatura all'apparecchiatura deve essere visibile e leggibile. Le marcature e segni illeggibili devono essere corretti.
- e) Il tubo di refrigerazione o i componenti sono installati in una posizione in cui è improbabile che vengano esposti a qualsiasi sostanza che può corrodere componenti contenenti refrigerante, a meno che i componenti non sono costruiti con materiali intrinsecamente resistenti alla corrosione o opportunamente protetti contro la corrosione.

9) Verifiche dei dispositivi elettrici

La riparazione e la manutenzione di componenti elettrici prevedono controlli di sicurezza iniziali e procedure di ispezione dei componenti. In caso di guasto che potrebbero compromettere la sicurezza, nessuna alimentazione elettrica deve essere collegata al circuito finché non viene trattato in modo soddisfacente. Se l'errore non può essere corretto immediatamente, ma è necessario far continuare a funzionare l'apparecchio, va utilizzata una soluzione temporanea adeguata. Ciò deve essere segnalato al proprietario del dispositivo.

I controlli di sicurezza iniziali comprendono:

- a) Che i condensatori siano scarichi: questo deve essere fatto in un modo sicuro per evitare possibilità di scintille.
- b) Che non siano presenti componenti elettrici sotto tensione e che il cablaggio sia esposto durante la carica, il recupero o lo spurgo del sistema.
- c) Che ci sia continuità di messa a terra.

2. RIPARAZIONI DEI COMPONENTI SIGILLATI

- 1) Durante le riparazioni dei componenti sigillati, tutte le alimentazioni elettriche devono essere scollegate dalle apparecchiature in lavorazione prima di qualsiasi rimozione di coperchi sigillati, ecc. Se è assolutamente necessario avere un'alimentazione elettrica sulle apparecchiature durante la manutenzione, posizionare un meccanismo di rilevamento è nel punto più critico per avvertire di una situazione potenzialmente pericolosa.
- 2) Particolare attenzione deve essere posta per garantire che lavorando su componenti elettrici, l'involucro non venga alterato in modo tale che il livello di protezione non sia influenzato. Ciò include danni ai cavi, un numero eccessivo di connessioni, terminali non apportati all'originale, danni alle guarnizioni, montaggio non corretto, ecc Assicurarsi che l'apparecchio sia montato in modo sicuro.

Assicurarsi che i sigilli o i materiali di tenuta non siano deteriorati al punto tale che non servono più allo scopo di impedire l'ingresso di atmosfere infiammabili.

Le parti di ricambio devono essere conformi alle specifiche del costruttore.

NOTA: L'uso di sigillante siliconico può inibire l'efficacia di alcuni tipi di apparecchiature di rilevamento di perdite. Componenti a sicurezza intrinseca non devono essere isolati prima di lavorare su di essi.

3. RIPARAZIONE DI COMPONENTI A SICUREZZA INTRINSECA

Non applicare carichi induttivi o capacitivi permanenti al circuito senza garantire che non venga superata la tensione ammissibile e la corrente consentita per le attrezzature in uso.

I componenti a sicurezza intrinseca sono gli unici tipi che possono essere lavorati, anche in presenza di un'atmosfera infiammabile. L'apparecchiatura di prova deve essere di portata nominale adeguata.

Sostituire i componenti solo con parti specificate dal produttore. Altre parti potrebbero provocare la dispersione di refrigerante nell'atmosfera.

4. CABLAGGIO

Controllare che il cablaggio non sia usurato, corrosivo, sottoposto a pressione eccessiva, a vibrazioni, a bordi taglienti o abbia effetti negativi sull'ambiente. Il controllo deve anche tener conto degli effetti dell'invecchiamento o delle vibrazioni continue derivanti da fonti quali compressori o ventilatori.

5. RILEVAMENTO DEI REFRIGERANTI INFIAMMABILI

In nessun caso potenziali fonti di accensione devono essere utilizzate nella ricerca o nella rilevazione di perdite di refrigerante. Non deve essere utilizzata una torcia alogenuro (o qualsiasi altro rilevatore che utilizza una fiamma libera).

6. METODI DI RILEVAMENTO DI PERDITE

I seguenti metodi di rilevamento di perdite sono ritenuti accettabili per sistemi contenenti refrigeranti infiammabili.

I rilevatori di perdite elettronica sono utilizzati per rilevare refrigeranti infiammabili, ma la sensibilità può non essere adatta, o potrebbe essere necessaria una ri-calibrazione. (La rivelazione deve essere tarata in un ambiente privo di refrigerante.) Assicurarsi che il rivelatore non sia una fonte potenziale di ignizione ed è adatto per il refrigerante utilizzato. Le apparecchiature di rilevamento di perdite sono fissati a una percentuale della LFL del refrigerante sono tarate per il refrigerante utilizzato e la percentuale appropriata di gas (25% massimo) viene confermata.

I fluidi di rilevamento perdite sono adatti per l'uso con la maggior parte dei refrigeranti ma l'uso di detergenti contenenti cloro sono da evitare in quanto il cloro può reagire con il refrigerante e corrodere il tubo di rame.

Se si sospetta una perdita, tutte le fiamme libere devono essere rimosse/ spente.

Se viene rilevata una perdita di refrigerante che richiede brasatura, tutto il refrigerante deve essere recuperato dal sistema, o isolato (per mezzo di valvole di intercettazione) in una parte del sistema lontano dalla perdita. L'azoto privo di ossigeno (OFN) viene quindi spurgato attraverso il sistema sia prima che durante il processo di brasatura.

7. RIMOZIONE ED EVACUAZIONE

Quando c'è una rottura nel circuito refrigerante per effettuare riparazioni - o per altre procedure è necessario utilizzare le procedure convenzionali. Tuttavia, è importante che le migliori prassi vengano seguite. La procedura da rispettare è la seguente:

- 1) Rimuovere il refrigerante.
- 2) Spurgare il circuito con gas inerte.
- 3) Evacuare.

- 4) Spurgare di nuovo con gas inerte.
- 5) Aprire il circuito tagliando o con brasatura.

La carica di refrigerante deve essere recuperata nei cilindri di recupero corretto. Il sistema deve essere "lavato" con OFN per mettere l'unità di sicurezza. Potrebbe essere necessario ripetere questo processo più volte. L'aria compressa o l'ossigeno non devono essere utilizzati per questo scopo.

Il flussaggio è ottenuto rompendo il vuoto nel sistema con OFN e continuando fino a che la pressione di lavoro non viene raggiunta, quindi svuotare l'atmosfera, e, infine, portarlo a sottovuoto. Questo processo deve essere ripetuto fino a quando non c'è il refrigerante all'interno del sistema. Quando si adopera una carica OFN finale, il sistema deve essere sfiatato fino alla pressione atmosferica per consentire il funzionamento. Questa operazione è assolutamente indispensabile se è necessaria una brasatura sul tubo-lavoro.

Assicurarsi che la presa per la pompa a vuoto non sia vicino a qualsiasi fonte di combustione e ci sia una adeguata ventilazione.

8. PROCEDURE DI RICARICA

Oltre alle procedure di ricarica convenzionali, è necessario soddisfare i seguenti requisiti .

- 1) Assicurarsi che non si verifichi una contaminazione tra i diversi refrigeranti quando si utilizza l'attrezzatura di carico. Tubi o linee devono essere il più corti possibile per ridurre al minimo la quantità di refrigerante contenuto in essi.
- 2) Le bombole devono essere mantenute in posizione verticale.
- 3) Assicurarsi che il sistema di refrigerazione sia messo a terra prima di caricare il sistema con refrigerante.
- 4) Etichettare il sistema quando la carica è completa (se non lo è già).
- 5) Estrema cura deve essere utilizzata per fare attenzione a non riempire eccessivamente il sistema di refrigerazione.

Prima della ricarica del sistema deve essere testato a pressione con OFN. Il sistema deve essere sottoposto alla prova al completamento della carica, ma prima. Un follow-up della prova di tenuta deve essere eseguito prima di lasciare il sito.

9. MESSA FUORI SERVIZIO

Prima di eseguire questa procedura, è essenziale che il tecnico abbia completa familiarità con l'attrezzatura e tutti i suoi dettagli. Si raccomanda di buona pratica che tutti i refrigeranti vengano recuperati in modo sicuro. Prima di effettuare la dismissione, un campione d'olio e refrigerante viene richiesto prima del riutilizzo di refrigerante recuperato. È essenziale che la potenza elettrica sia disponibile prima che l'attività abbia inizio.

- 1) Acquisire familiarità con l'attrezzatura e il suo funzionamento.
- 2) Isolare elettricamente il sistema.
- 3) Prima di eseguire la procedura di assicurare che:
 - a) Le attrezzature meccaniche di movimentazione siano disponibili, se necessario, per la movimentazione dei cilindri refrigeranti.
 - b) Tutte le attrezzature di protezione individuale sono disponibili e vengono utilizzate correttamente.
 - c) Il processo di recupero è curato in ogni momento da una persona competente.
 - d) Gli impianti di recupero e i cilindri sono conformi agli standard appropriati.
- 4) Svuotare del sistema refrigerante, se possibile.

- 5) Se lo svuotamento non è possibile, effettuare un collettore in modo che il refrigerante possa essere rimosso da varie parti del sistema.
- 6) Assicurarsi che il cilindro si trovi sulla bilancia prima del recupero.
- 7) Avviare l'apparecchio di recupero ed operare secondo le istruzioni del produttore.
- 8) Non riempire troppo i cilindri. (non oltre l'80%).
- 9) Non superare la pressione massima di esercizio del cilindro, anche solo temporaneamente.
- 10) Quando i cilindri sono stati riempiti correttamente e il processo completato, assicurarsi che i cilindri e le attrezzature vengono rimosse dal sito prontamente e tutte le valvole di isolamento sulle attrezzature siano chiuse.
- 11) Il refrigerante recuperato non va utilizzato in un altro sistema di refrigerazione a meno che non è stato pulito e controllato.

10. ETICHETTATURA

Le apparecchiature devono essere etichettate con l'indicazione di apparecchio è stato de-commissionato e svuotato di refrigerante. L'etichetta deve essere datata e firmata. Assicurarsi che non ci siano etichette sull'attrezzatura che indichino che l'apparecchiatura contiene refrigerante infiammabile.

11. RECUPERO

Quando si rimuove refrigerante da un impianto, sia per la manutenzione che per la disattivazione, si raccomanda che tutti i refrigeranti vengano rimossi in modo sicuro.

Durante il trasferimento del refrigerante nelle bombole, assicurarsi che vengano impiegati solo opportuni cilindri di recupero. Assicurarsi che il numero corretto di cilindri sia sufficiente per il contenimento del contenuto totale del sistema. Assicurarsi che tutti i cilindri da utilizzare siano designati per il refrigerante recuperato ed etichettati per tale refrigerante (es cilindri speciali per il recupero di refrigerante). Che i cilindri siano completi di valvola limitatrice di pressione e le valvole di intercettazione associate siano in buone condizioni. I cilindri di recupero vuoti vanno evacuati e, se possibile, raffreddati prima del recupero.

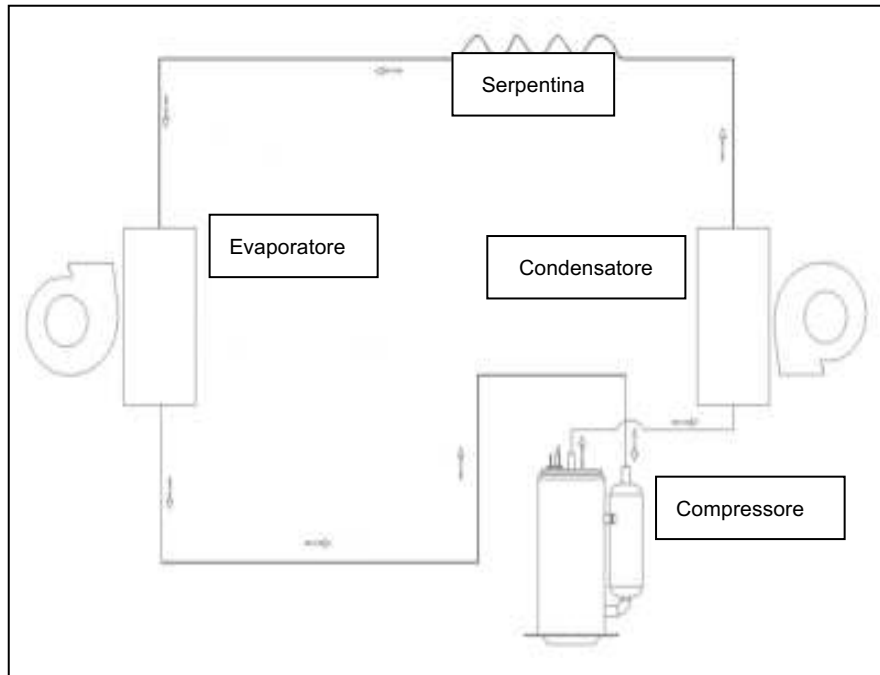
L'attrezzatura di recupero deve essere in buone condizioni e avere una serie di istruzioni che regolano l'apparecchiatura e devono essere adatti per il recupero di refrigeranti infiammabili. Inoltre, sono utili una serie di bilance tarate e in buone condizioni. I tubi flessibili devono essere completi di innesti senza perdite e in buone condizioni. Prima di utilizzare l'apparecchio di recupero, verificare che sia in condizioni di funzionamento soddisfacenti, mantenuto in modo corretto e che eventuali componenti elettrici siano sigillati per evitare incendi in caso di rilascio refrigerante. Consultare il produttore in caso di dubbi.

Il refrigerante recuperato va restituito al fornitore del refrigerante nel cilindro di recupero corretto, ed il relativo trasferimento organizzato. Non mescolare refrigeranti in unità di recupero e soprattutto nei cilindri.

Se compressori o oli per compressori devono essere rimossi, assicurarsi che siano stati evacuati ad un livello accettabile per accertarsi che il refrigerante infiammabile non rimanga all'interno del lubrificante. Il processo di evacuazione va effettuato prima di restituire il compressore ai fornitori. Solo un riscaldamento elettrico al corpo compressore può essere usato per accelerare questo processo. Quando l'olio viene drenato da un sistema, la procedura deve essere eseguita in modo sicuro.

APPENDICE

Diagramma schematico del climatizzatore



Per i parametri tecnici specifici del modello, consultare l'etichetta sul prodotto.

AMBIENTE

ATTENZIONE:



Non gettare quest' apparecchio tra i rifiuti domestici. Per questo tipo di prodotti è fornito dai comuni un sistema di raccolta e ritiro in zona ed è quindi un dovere informarsi per conoscere il giusto smistamento del rifiuto. Infatti, i prodotti elettrici ed elettronici possono contenere sostanze pericolose che hanno effetti dannosi sull'ambiente o sulla nostra salute e quindi devono essere riciclati. Il simbolo al lato indica che le apparecchiature elettriche ed elettroniche fanno parte di una raccolta selettiva e differenziata (rappresentata da un bidone su due ruote sbarrato da una croce).

Adeva SAS / H.Koenig Europe - 8 rue Marc Seguin - 77290 Mitry Mory - France
www.hkoenig.com - sav@hkoenig.com - contact@hkoenig.com - Tél: +33 1 64 67 00 05