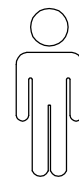
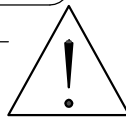
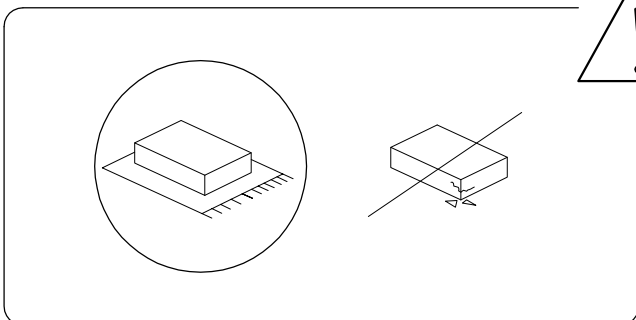
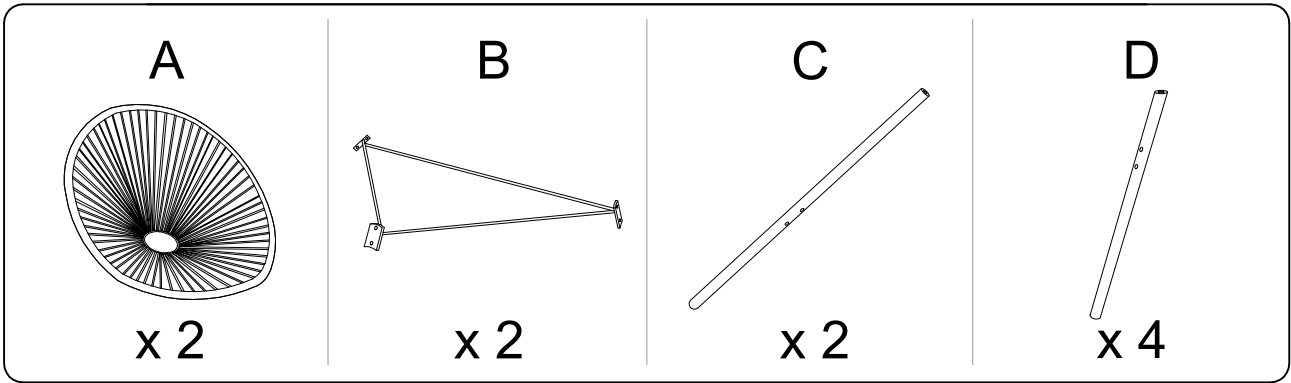


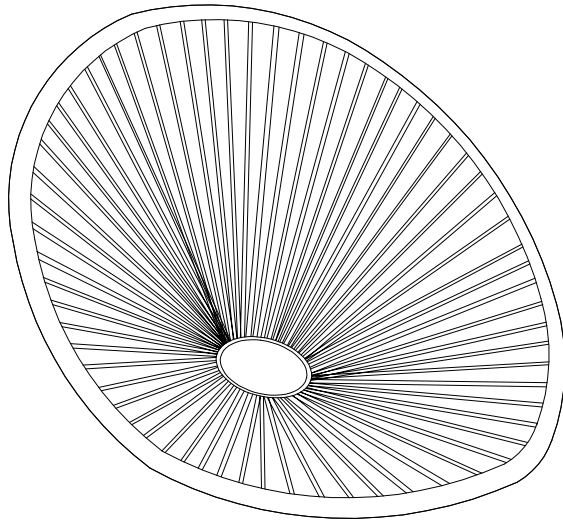
40'



1

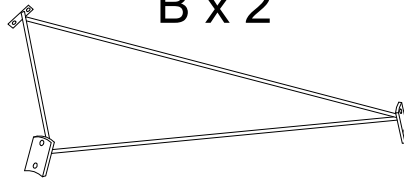
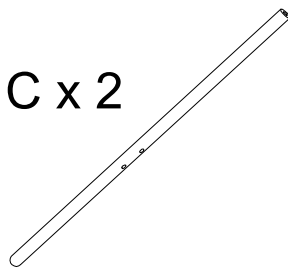


**A x 2**

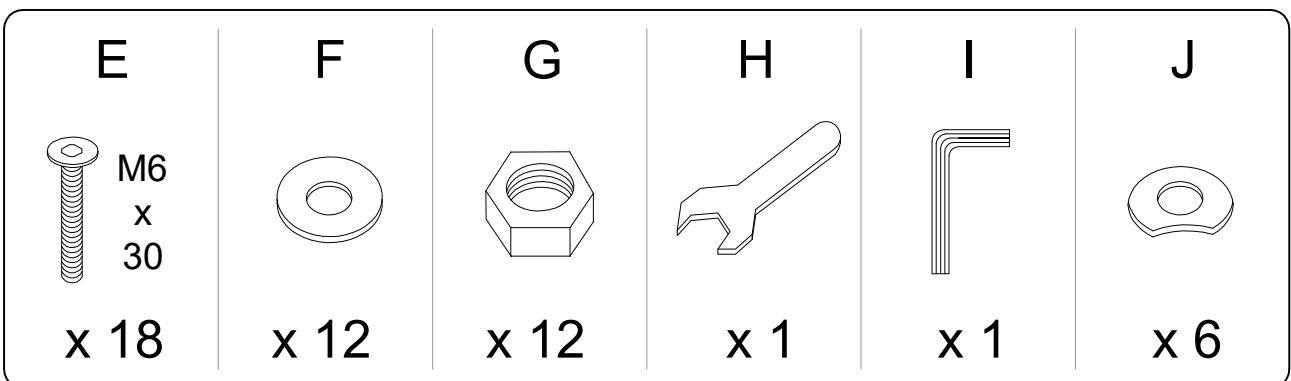
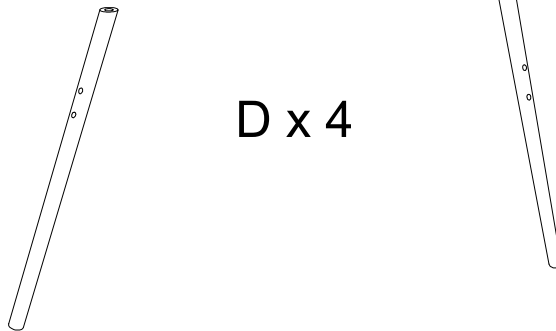


**B x 2**

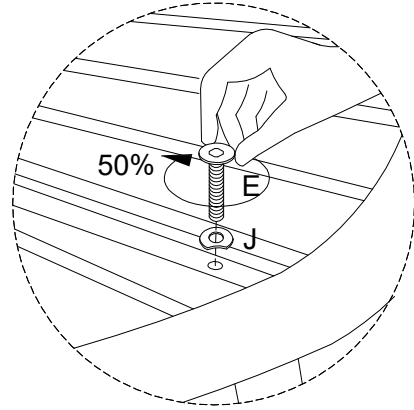
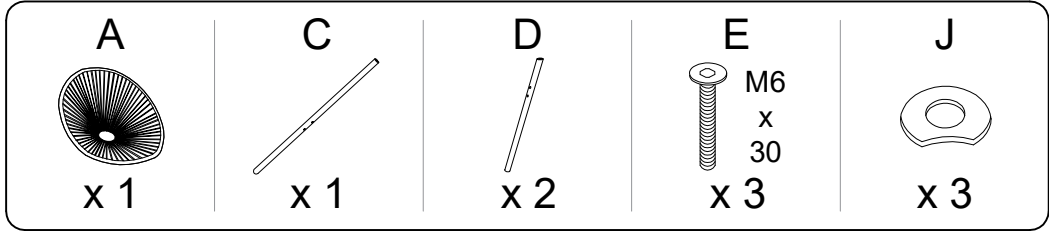
**C x 2**



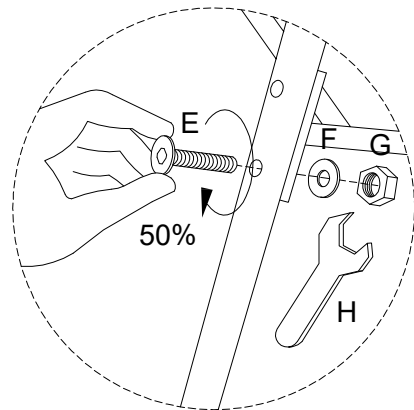
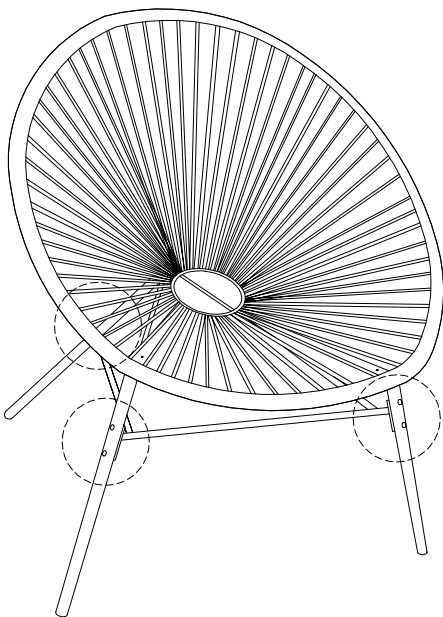
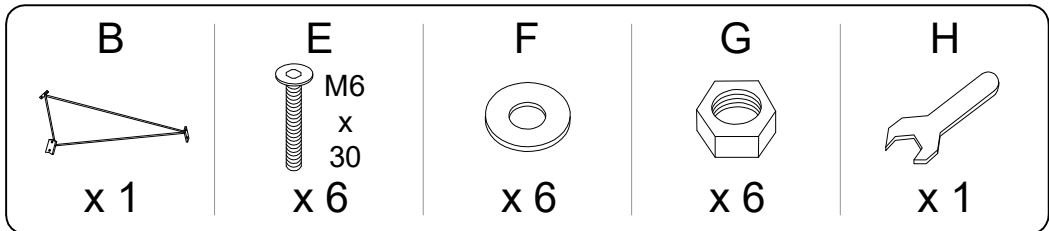
**D x 4**



1 x 2

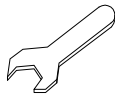


2 x 2



3 x 2

H



x 1

I



x 1

