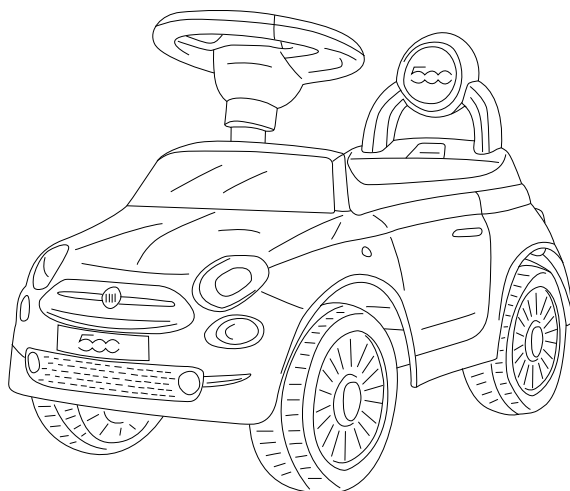


IMPORTANT! RETAIN THIS INSTRUCTION MANUAL
FOR FUTURE REFERENCE!

INSTRUCTION MANUAL FOR RIDE ON CAR FIAT 500



This toy is manufactured under license of FCA, Italia S.p.A.
“Fiat” and “500” are trademarks owned by FCA Group Companies.

This toy is produced in conformity with the requirements of Toy Safety Directive 2009/48/EC of the European Parliament and the council, National regulations and the applicable European standards.

TO GUARANTEE THE SAFE USE OF THIS PRODUCT FOLLOW THE WARNINGS,
GUIDELINES AND RECOMMENDATIONS IN THIS MANUAL!

IMPORTANT! WARNINGS!

- ❖ **CAUTION!** NEVER LEAVE THE CHILD UNATTENDED!
- ❖ **CAUTION!** THIS TOY HAS NO BRAKE!
- ❖ **CAUTION!** THIS TOY IS NOT SUITABLE FOR CHILDREN UNDER 12 MONTHS AND WEIGHT MORE THAN 20kg. DO NOT OVERLOAD!
- ❖ **CAUTION!** THIS PRODUCT IS NOT A TRANSPORT MEANS!
- ❖ **CAUTION!** DO NOT USE ON ROAD LANES!
- ❖ **CAUTION!** KEEP AWAY FROM FIRE!
- ❖ **CAUTION!** BEFORE USE, CHECK THE GOOD WORKING ORDER AND FIXING OF ALL PARTS.
- ❖ Use for children above 12 months!
- ❖ Not to be used by two children simultaneously!
- ❖ Adult assembly only!
- ❖ The child must wear shoes at all times when using the toy! It is advisable to use helmet and protectors.
- ❖ No running or skating when pushing the ride on car with child in it.
- ❖ Use only during the day and in places with good lighting.
- ❖ Do not let children touch the wheels or stand close to them while the ride on car is moving!
- ❖ If there are stickers going off, you must stick them back or remove them to avoid children swallowing them.
- ❖ Do not use the product if you find missing or damaged parts!
- ❖ Do not use spare parts or other components, which are not supplied by the producer! The producer revokes all responsibility in case parts different from the original ones have been used.
- ❖ Do not make changes or modifications to the structure! If necessary, contact the retailer or an authorized service center for advice and repair.
- ❖ Use the product only for its purpose.
- ❖ Do not allow presence of children less than 3 years before assembly of the product is complete, to avoid access to small or loose parts!
- ❖ Do not tie strings or accessories to the product in order to avoid the risk of suffocation.
- ❖ Use only on even playgrounds and at a safe distance from streets or road lanes for vehicles!
- ❖ Do not use the product near stairs, escalators, protrusions, swimming pools etc.!
- ❖ Keep nylon packages away from children to avoid risk of suffocation!

IMPORTANT! WARNINGS AND GUIDELINES FOR BATTERY USE

- ❖ After inserting batteries, always secure the battery compartment with the cover.
 - ❖ Do not allow children to access or play with the batteries!
 - ❖ Use only batteries of the designated type and power.
 - ❖ Do not use batteries of different types.
 - ❖ Do not mix new with used batteries.
 - ❖ Follow the designated polarity in the battery compartment.
 - ❖ Remove damaged or worn out batteries.
 - ❖ Remove the batteries when the product will not be used for long time.
 - ❖ Do not throw the batteries in open fire. Do not take the batteries to pieces.
- ❖ **CAUTION!** Waste from depleted or unusable batteries must be disposed of separately. It is forbidden to throw them out in containers for household waste. Dispose of the batteries only at the specified places

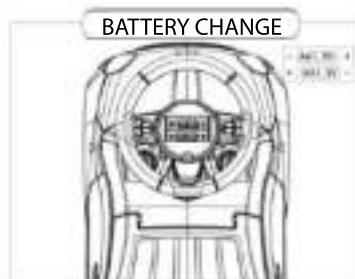


INSERTING THE BATTERIES

The battery compartment is located on the steering wheel.

- ❖ Unscrew the cover using a screwdriver.
- ❖ Insert 2 pcs battery type AA/1.5V following the battery polarity.

Put the cover on the battery compartment and screw.



MAIN FEATURES

- ❖ The toy is intended for a child between 12 and 36 months with weight not more than 20kg!
- ❖ When the child is sitting in it, the ride on car can be propelled by the child's feet.
- ❖ Steering wheel with horn and melodies
- ❖ Batteries 2 pcs type AA/1,5V (not included in the set)
- ❖ Dimensions, cm: 61*28*38,3.

MAIN PARTS

Please make sure all the parts are available



Main body



Steering wheel



Backrest



Bolt



Nut



Driving axle

ASSEMBLY GUIDELINES

CAUTION! Follow exactly the guidelines and the sequence of assembly and use which you will find in the figures in the manual.

CAUTION! After each step, check that fixing is stable!

Tools needed for some assembly steps:

- screwdriver (not included in the set).

Assembly steps and functions are numbered from 1 to 3. Use their descriptions below along with the figure of the same number.

1 – DRIVING AXLE ASSEMBLY

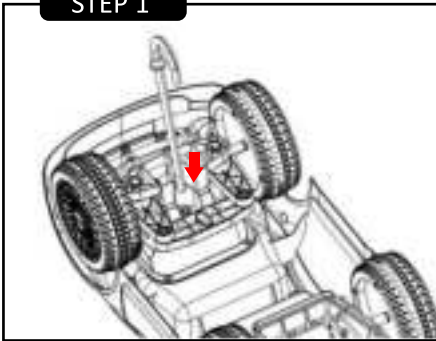
From the bottom end of the main body insert the straight end of the driving axle, until it shows through the opening of the steering wheel tube from the upper side of the main body.

2 – STEERING WHEEL ASSEMBLY

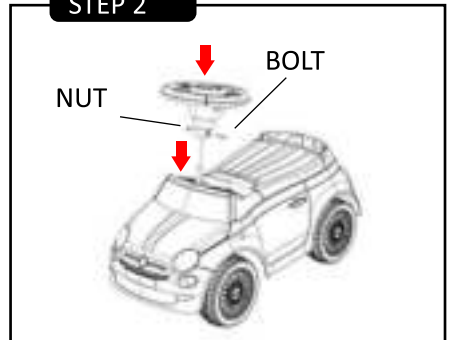
3 – BACKREST ASSEMBLY

4 – STEERING WHEEL FUNCTIONAL BUTTONS

STEP 1



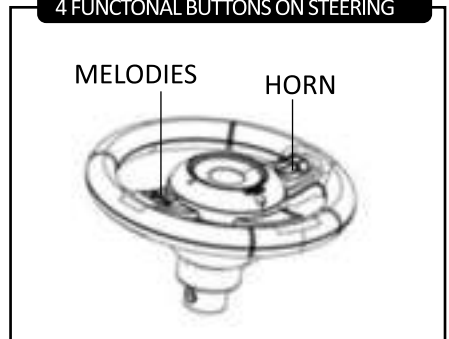
STEP 2



STEP 3



4 FUNCTIONAL BUTTONS ON STEERING



CARE AND MAINTENANCE INSTRUCTIONS

- ❖ Regularly check the plastic parts of the ride on car for any cracks or damage.
- ❖ Regularly oil the moving parts.
- ❖ Clean the toy by using a damp soft towel or sponge and a mild soap.
- ❖ Do not clean with aggressive detergents containing abrasive particles, ammonia, bleach or spirit.
- ❖ Store the product in a clean and dry place, without moisture and at a safe distance from heat sources! Do not subject to direct environmental effect – sun, rain, moisture or harsh temperature changes!
- ❖ Do not use the product on muddy, sandy or gravel covered terrains, which can damage the moving parts.

Materials used: plastic, metal

ROCFT01xxxx/620

Producer: Produced for Chipolino Ltd in PRC.

Importer: CHIPOLINO LTD., 1 Goliamokonarsko Shosse Str,
Plovdiv, BULGARIA; tel.: +359 32 600 889; www.chipolino.com