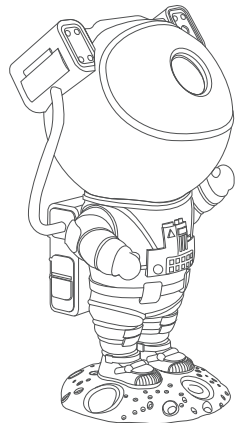
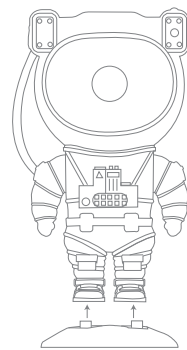


# User's Manual

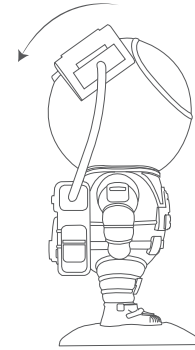


## Attention

- ◆ The light source of stars and nebulae is strong, so eyes should not look directly at the light source.
- ◆ The brightness of the stars (ie laser brightness) is affected by the ambient temperature and time of use. When the ambient temperature is hot or the power-on time is longer, the brightness of the laser will decrease due to the heat of the light source. At this time, just turn off the power and let the laser emit The heat dissipation of the device (heat dissipation time usually takes more than 15 minutes) and then turn it on to restore the brightness.
- ◆ The head and body of the astronaut are connected together by magnets, and the direction of the head can be adjusted. Do not stretch the astronaut's head and body forcefully, otherwise the wires may break due to stretching.

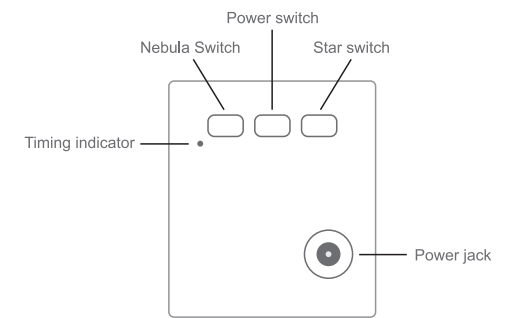


Please install the base before using. Please make sure that the astronauts' feet are in full contact with the bottom of the base seat.



The projection direction can be adjusted by adjusting the rotation angle of the astronaut's head.

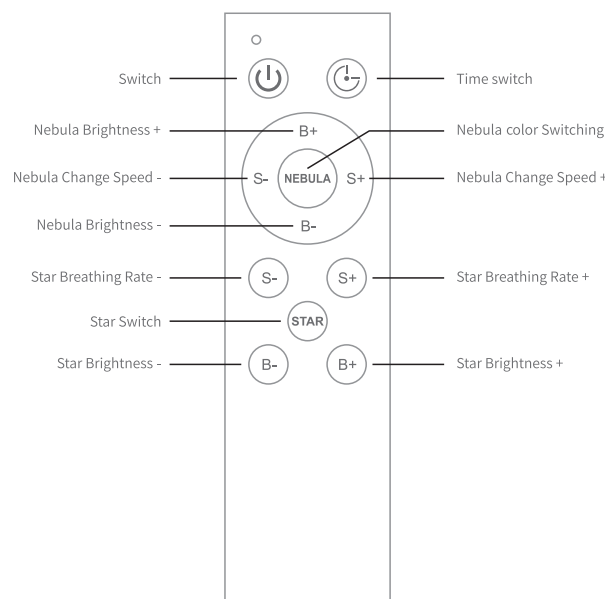
## Host Key Operation Instructions



**Note: The product needs to be connected to the power cord for use.**

- ◆ **Power switch:** Short press the power switch to turn on, and the stars and mixed color nebula are turned on by default after turning on.
- ◆ **Nebula Switch:** Short press the Nebula button to switch the color of the nebula, each time you press to switch a color, and so on; long press to turn off the Nebula function, and then short press to turn on the Nebula function again.
- ◆ **Star switch:** Short press the key to switch the respiratory rate of a star each time. Long press to turn off the star function. After turning off, short press again to turn on the star function.
- ◆ **Timing indicator:** After pressing any timing button on the remote control, the timing indicator light will be on, and the indicator light will be off when the timing is turned off.

## Remote Control Instructions



- ◆ **Switch:** Short press the switch to turn on, and Nebula and Stars are turned on by default after turning on; short press the button again after turning on to turn off.

- ◆ **Timing button:** The timing function is divided into two levels, namely 45 minute timing / 90 minute timing. Press the first time, the timing indicator lights up blue, and enters 45 minutes timing; Press the second time, the timing indicator will be red, and enter the 90 minute timing; Under the timing state, the timing indicator is on for a long time; Long press to cancel the timer, and the timer indicator will go out after canceling.
- ◆ **Nebula Brightness+:** There are 5 levels of Nebula brightness. The default brightness is the middle level. Each time you press it, the brightness will increase by one level.
- ◆ **Nebula color switching:** Each time you press the button, the nebula will switch to one color. After a cycle, it will return to the default color. Long press the button to close the nebula. After closing the nebula, short press the button to reopen the nebula.
- ◆ **Nebula change speed-:** Nebula change speed is divided into five gears 0-1-2-3-4: gear 0 is static, gear 4 is the fastest changing speed, and the default gear is gear 2. Every time you press it, the speed of Nebula changes by one level until it reaches level 0.
- ◆ **Nebula change speed+:** The change speed of the nebula increases by one level each time you press it, until the third level.
- ◆ **Nebula Brightness-:** There are 5 levels of Nebula brightness. The default brightness is the middle level. Each time you press it, the brightness will decrease by one level.
- ◆ **Star switch:** Long press the button to turn off the star, and then short press the button to turn the star back on.
- ◆ **Star Breathing Rate-:** Star breathing rate is divided into four gears 0-1-2-3, 0 gear means that the stars are always on, gear 3 is the highest frequency, the default gear is 2 gears, every time you

press the star The breathing rate is reduced by one gear until it reaches the 0 gear.

- ◆ **Star Breathing Rate+:** Each time you press the star, the breathing rate will increase by one level, up to level 3.
- ◆ **Star Brightness-:** The star brightness adjustment is only limited to the normally bright mode. In the breathing state, this button is invalid. There are three levels of brightness adjustment. The default brightness is the brightest when the star is turned on. Each time you press it, the brightness will be reduced by one level until the darkest level.
- ◆ **Star Brightness+:** The default brightness is the brightest. When the brightness is dimmed, press this button once to increase the brightness by one gear until the brightest gear.

Material: ABS/PC/PVC/TPE  
 Product Color: White  
 Laser Wavelength: 532nm  
 LED Power: < 5W  
 Control Mode: Remote control  
 Remote Control Range: < 5meters(Best distance)  
 Power Supply: 100 - 240V~50/60Hz 0.4A  
 Work Input: 5V=1A  
 Product Size: 120\*113\*228mm  
 Applicable Environment: Indoor Home (Better in a dark environment)  
 Working Temperature: -10°~45°Celsius

