

BATAVIA

MAXXPACK 18 V

Cordless drill & screwdriver

Akku-Bohrschrauber

Perceuse visseuse sans fil

Accu boor en schroefmachine

Trapano combinato senza fili

Taladro combinado inalámbrico

Berbequim combinado sem fios

Bezprzewodowa wiertarko-wkrętarka



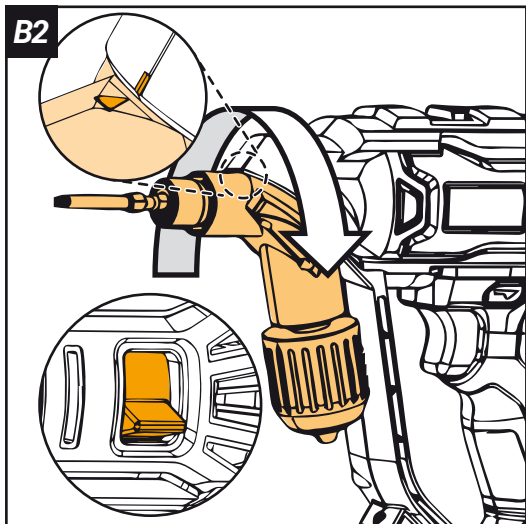
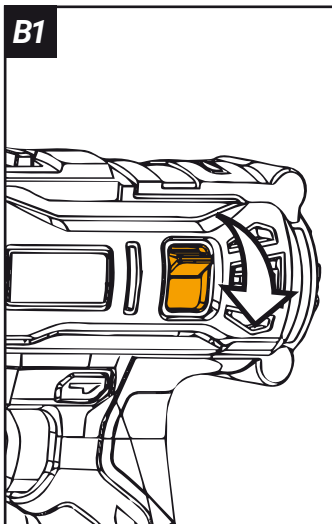
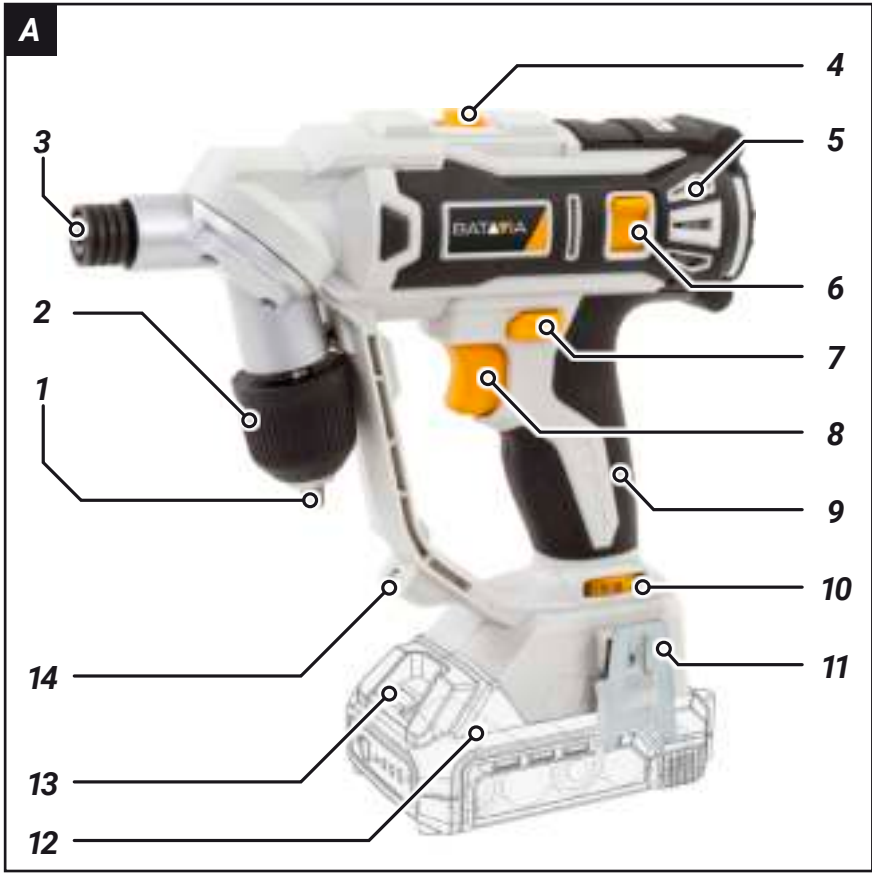
Operating instructions
Bedienungsanleitung (Original)
Mode d'emploi
Gebruiksaanwijzing
Istruzioni di Funzionamento
Manual de usuário
Instruções de funcionamento
Instrukcja

Model: BT-CTD001

Item-No.: 7063778

www.batavia.eu





Overview

1. Chuck Jaws
2. Chuck
3. Screw bit holder
4. Gear Switch (only for drilling)
5. Motor Vents
6. Switch to turn chuck/bit holder
7. Forward/Reverse Switch
8. Trigger Switch
9. Hand Grip
10. Torque Selector (only for screwing)
11. Belt Clip
12. Battery **(not included)**
13. Battery release button
14. Work Light

Übersicht:

1. Bohrfutterbacken
2. Bohrfutter
3. Schrauben-Bit-Halter
4. Gangwahlschalter (nur zum Bohren)
5. Lüftungsschlitze
6. Schalter zum Umstellen von Bohrfutter/Bit-Halter
7. Rechts-/Linkslauf-Umschalter
8. Ein-/Ausschalter
9. Handgriff
10. Drehmomentregler (nur zum Schrauben)
11. Gürtelklammer
12. Akku **(nicht im Lieferumfang)**
13. Akku-Freigabetaste
14. Arbeitsleuchte

Vue d'ensemble :

1. Mâchoires de mandrin
2. Mandrin
3. Porte-embouts d'outils de vissage
4. Sélecteur de vitesse (perçage uniquement)
5. Orifices de ventilation du moteur
6. Commutateur de rotation du mandrin/porte-embouts
7. Commutateur d'inversion du sens de rotation
8. Gâchette
9. Poignée
10. Sélecteur de coupe (vissage uniquement)
11. Attache de ceinture
12. Batterie **(non fournie)**
13. Bouton de déverrouillage de la batterie
14. Témoin de fonctionnement

Overzicht:

1. Boorkopklemmen
2. Boorkop
3. Bithouder
4. Tandwielschakelaar (alleen voor boren)
5. Motorventilatiegaten
6. Schakelaar om de span-/bithouder te draaien
7. Rotatierichtingschakelaar
8. Aan-/uitschakelaar
9. Handgreep
10. Koppeldraaischakelaar (alleen voor schroeven)
11. Riemclip
12. Accu **(niet meegeleverd)**
13. Accu-ontgrendelingsknop
14. Werklamp

Panoramica:

1. Mandrino per punte
2. Mandrino
3. Portapunte avvitatore
4. Selettore delle marce (solo per perforazione)
5. Prese di aerazione del motore
6. Interruttore per l'impostazione del mandrino/del portapunte
7. Selettore avanti/indietro
8. Grilletto
9. Impugnatura
10. Selettore di coppia (solo per avvitatore)
11. Clip per cinghia
12. Batteria **(non inclusa)**
13. Pulsante per la rimozione della batteria
14. Luce da lavoro

Vista general:

1. Garras del portabrocas
2. Portabrocas
3. Portapuntas (puntas para atornillar)
4. Interruptor de velocidad (solo para taladrar)
5. Rendijas de ventilación del motor
6. Interruptor para girar el portabrocas/portapuntas
7. Interruptor de avance/retroceso
8. Interruptor de gatillo
9. Empuñadura
10. Selector del momento de torsión (solo para atornillar)
11. Pinza para cinturón
12. Batería **(no incluida)**
13. Botón para soltar la batería
14. Lámpara de trabajo

Visão geral:

1. Garras do mandril
2. Mandril
3. Suporte de broca para madeira
4. Interruptor de engrenagem (apenas para berbequim)
5. Orifícios de ventilação
6. Interruptor para rodar mandril/suporte de broca
7. Interruptor de reversibilidade
8. Gatilho
9. Punho
10. Seletor de aperto (apenas para aparafusar)
11. Presilha para cinto
12. Bateria **(não fornecida)**
13. Botão de libertação da bateria
14. Luz de trabalho

Opis ogólny:

1. Uchwyt zaciskowy
2. Kołnierz uchwytu wiertarskiego
3. Uchwyt do bitów
4. Przełącznik przełożenia (tylko do wiercenia)
5. Otwory wentylacyjne silnika
6. Przełącznik zmiany uchwytu wiertarskiego / uchwytu do bitów
7. Przełącznik kierunku obrotów
8. Przełącznik uruchamiający
9. Uchwyt ręczny
10. Wybierak momentu (tylko do wkręcania)
11. Uchwyt na pasek
12. Akumulator **(nie dołączony do zestawu)**
13. Przycisk zwalniania akumulatora
14. Światło robocze

Contents

Safety Instructions	6
Before use	7
During use	7
Before first use	7
Intended use	7
Operation	7
Accessories	8
Maintenance and Cleaning	8
Technical data	9
Disposal	9
EC-Declaration of conformity	9

Inhaltsverzeichnis

Sicherheitshinweise	10
Vor der Anwendung	11
Während der Anwendung	11
Vor der ersten Benutzung	11
Bestimmungsgemäße Verwendung	12
Betrieb	12
Zubehör	13
Wartung und Reinigung	13
Technische Daten	13
Entsorgung	13
EG-Konformitätserklärung	14

Table des matières

Consignes de sécurité	15
Avant l'usage	16
Pendant l'usage	16
Avant la première utilisation	16
Utilisation normale	17
Instructions d'utilisation	17
Accessoires	18
Nettoyage et maintenance	18
Fiche technique	18
Élimination et recyclage	18
CE-Déclaration de conformité	19

Inhoudsopgave

Safety Instructions	20
Vóór gebruik	21
Tijdens gebruik	21
Voor het eerste gebruik	21
Beoogd gebruik	21
Gebruik	21
Accessoires	22
Reiniging en onderhoud	23
Technische gegevens:	23
Afvalverwerking en hergebruik	23
EG-Conformiteitsverklaring	24

Contenuto

Istruzioni di sicurezza	25
Prima dell'uso	26
Durante l'uso	26
Operazioni preliminari al primo uso del prodotto	26
Destinazione d'uso	27
Uso	27
Accessori	28
Manutenzione e pulizia	28
Dati tecnici	28
Smaltimento	28
Dichiarazione di conformità CE	29

Índice

Instrucciones de seguridad	30
Antes de usar	31
Durante el uso	31
Antes de usar por primera vez	32
Uso previsto	32
Utilización	32
Accesorios	33
Mantenimiento y limpieza	33
Datos técnicos	33
Eliminación	34
Declaración CE de conformidad	34

Índice

Instruções de segurança	35
Antes da utilização	36
Durante a utilização	36
Antes da primeira utilização	36
Utilização prevista	37
Operação	37
Acessórios	38
Manutenção e limpeza	38
Dados técnicos	38
Eliminação	38
Declaração de conformidade CE	39

Spis treści

Instrukcje dotyczące bezpieczeństwa	40
Przed użyciem.	41
Podczas użytkowania	41
Przed pierwszym użyciem	42
Przeznaczenie.	42
Obsługa	42
Akcesoria	43
Konserwacja i czyszczenie	43
Dane techniczne	43
Utylizacja	44
Deklaracja zgodności z wymogami UE	44

Dear customer

Please familiarize yourself with the proper usage of the device by reading and following each chapter of this manual, in the order presented. Keep these operating instructions for further reference.

Please read all safety instructions!

This manual contains important information on operating and handling the device. Keep these operating instructions for further reference. Please pass it on along with the unit if it is handed over to a third party.

1. Explanation of the symbols

The following symbols are used in the user manual or on the product:



Warning! To reduce the risk of injury, the user must read the instruction manual.



Denotes risk of personal injury, loss of life or damage to the tool in case of non-observance of the instructions in this manual.



Always wear hearing protection. The effects of noise can cause hearing loss.



Wear safety glasses. When working with electric power tools, sparks, splinters, chips and dust particles may be generated and these can cause loss of sight.



Electric power tool, protection class II. This sign symbolises that this unit corresponds to Protection Class II. This means that the unit is equipped with either reinforced or double insulation between the mains circuit and output voltage or metal housing respectively.



Variable speed control.



CE stands for "Conformité Européenne", which means "In accordance with EU Regulations". With the CE marking, the manufacturer confirms that this Electric tool complies with the applicable European directives.



Do not dispose of electric power tools with domestic refuse.

2. Safety instructions for cordless drill/drivers

2.1 General

- Do not work materials containing asbestos. Asbestos is considered carcinogenic.
- The tool/charger is not intended for use by persons (including children) with reduced physical, sensory or mental capabilities, or lack of experience and knowledge, unless they have been given supervision or instruction concerning use of the tool/charger by a person responsible for their safety.
- Ensure that children do not play with the tool/charger.
- Ensure that the Forward/Reverse switch (**7**) is in the middle (locking) position before making any adjustments or changing accessories as well as when carrying or storing the tool.
- Do not work materials containing asbestos (asbestos is considered carcinogenic).
- Dust from material such as paint containing lead, some wood species, minerals and metal may be harmful (contact with or inhalation of the dust may cause allergic reactions and/or respiratory diseases to the operator or bystanders); wear a dust mask and work with a dust extraction device when connectable.
- Certain kinds of dust are classified as carcinogenic (such as oak and beech dust) especially in conjunction with additives for wood conditioning; wear a dust mask and work with a dust extraction device when connectable.
- Follow the dust-related national requirements for the materials you want to work with.
- When using the drill, use safety equipment including safety glasses or shield, ear defenders, and protective clothing including safety gloves. Wear respiratory protection suitable for the work being undertaken. A minimum rating of FFP2 is recommended. If operating the tool causes discomfort in any way, stop

immediately and review your method of use.

- Battery chargers are for indoors use only. Ensure that the power supply and charger are protected against moisture at all times.
- Ensure that the lighting is adequate.
- Ensure that the drill bit is securely fixed in the chuck. Insecure drill bits can be ejected from the machine causing a hazard.
- Ensure that the drill bit is not in contact with the workpiece prior to starting up the tool.
- Before drilling, check that there is sufficient clearance for the drill bit under the workpiece.
- Drill bits get hot during operation, allow to cool prior to handling them.
- NEVER use your hands to remove sawdust, chips or waste close by the bit.
- Examine the chuck regularly for signs of wear or damage. Have damaged parts repaired by a qualified service centre.
- ALWAYS wait until the drill has come to a complete stop before putting it down.

3. Before use

- Avoid damage that can be caused by screws, nails and other elements in your workpiece; remove them before you start working.
- Use suitable detectors to find hidden utility lines or call the local utility company for assistance (contact with electric lines can lead to fire or electrical shock; damaging a gas line can result in an explosion; penetrating a water pipe will cause property damage or an electrical shock).
- Secure the workpiece (a workpiece clamped with clamping devices or in a vice is held more securely than by hand).

4. During use

- Hold power tool by insulated gripping surfaces **(9)**, when performing an operation where the cutting accessory or fastener may contact hidden wiring

(cutting accessory and fasteners contacting a "live" wire may make exposed metal parts of the power tool "live" and could give the operator an electric shock).

- In case of electrical or mechanical malfunction, immediately switch off the tool or unplug charger from power source.

5. Before first use

Remove the machine and the accessories from the packaging. Check the machine for transport damage and do not use the machine in case of damages. Keep the packing materials away from children, risk of suffocation!

6. Intended use

The cordless drill/screwdriver is designed for tightening and undoing screws, for drilling in wood, metal and plastic, in each case when using the appropriate bits/drills. The equipment is to be used only for its prescribed purpose.

7. Operation

7.1 Direction control

- The direction of rotation can be set using the Forward/Reverse Switch **(7)**.
- For anti-clockwise rotation, push the switch to the right.
- For clockwise rotation, push the switch to the left.

Note: When the Forward/Reverse Switch is in the central position, the drill is locked and cannot be switched on. Use this setting as a safety feature to prevent the drill from being switched on accidentally.

7.2 Select chuck / bit holder

(See **Fig. B**).

- Pull switch **(6)** down and turn the chuck / bit holder.
- Release switch **(6)** and make sure the selected chuck or bit holder will click into place.

7.3 Torque Selector – only for screwing / bit holder

Turn the Torque Selector **(10)** to select the desired setting: the higher the number dis-

played on the torque ring, the higher the torque produced by the tool.

For drilling the machine will select the correct torque setting automatically.

7.4 Speed setting – only for drilling / chuck

The machine has 2 drill speeds, which can be adjusted by sliding the gear switch **(4)** forward or backwards. The number on the

gear switch **(4)** shows which position is chosen.

Position 1: For slow drilling, large drilling diameter. The machine has higher torque at a low speed.

Position 2: For fast drilling or small drilling diameter. The machine has lower torque at a high speed.

For screwing the machine will select the correct speed automatically.

7.5 Selection:

	Select	Torque selector	Speed
Screwing	Bit holder	1 – 12*	Automatically
Drilling	Chuck	Automatically	1 or 2

- *
- Select a low setting for small screws or soft work material.
 - Select a high setting for large screws, hard work materials and when removing screws.
 - You should preferably choose a setting as low as possible when driving screws. Select a higher setting if the motor slips before the screw is fully tightened.

WARNING: If the power tool gets excessively hot in use, stop using the tool immediately and allow to cool before continuing work. The cooling period can be reduced by operating the drill at maximum speed with no load. Always make sure the Motor Vents **(5)** are not blocked and do not allow dust to enter the body of the tool through the Motor Vents; dust, especially metallic dust, may damage or destroy the tool.

7.6 Switching the machine on and off

The on/off switch **(8)** is used for activating the machine and adjusting rotation speed.

- Pressing the on/off switch **(8)** will activate the machine, the further the switch is being pushed, the faster the drill will turn.
- Releasing the on/off switch **(8)** will stop the machine.

7.7 LED lamp

The LED lamp **(14)** will be lit automatically as soon as you press the ON/OFF switch **(8)**.

8. Accessories

Use only accessories with an allowable speed matching at least the highest no-load speed of the tool.

9. Maintenance and Cleaning

WARNING: Always disconnect from the mains power supply, before carrying out any maintenance/ cleaning of the charger. Remove the battery before carrying out any maintenance/cleaning of the tool.

9.1 Maintenance

There are no inner parts of the tool which need maintenance.

9.2 Cleaning

- Keep safety devices, ventilation openings and the motor housing as free as possible from dirt and dust. Rub the electric power tool with a clean cloth or blow over it with low pressure compressed air.
- We recommend that you clean your electric power tool immediately after each use.
- Clean the electric power tool regularly with a damp cloth and somewhat soft soap.

Do not use any cleaning or solvent materials; these can attack the device's plastic components. Make sure that no water can get inside the electric power tool.

10. Technical data

Speed drilling	0 – 400 / 1500 min ⁻¹
Speed screwing	0 – 400 min ⁻¹
Chuck	10 mm
Bit holder	6.35 mm
Torque.26 Nm
Weight.	1.2 kg
Sound Pressure Level L _{pA}	67.6 dB(A)
Uncertainty K _{pA}	5 dB(A)
Sound Power Level L _{WA}	78.6 dB(A)
Uncertainty K _{WA}	5 dB(A)
Hand Arm Vibration	1.061 m/s ²
Uncertainty K.	1.5 m/s ²

11. Disposal



Do not dispose of electric power tools with domestic refuse.

The electric power tool is shipped in packaging to reduce transport damage. This packaging is a raw material and as such can either be reused or can be fed back into the raw material cycle. The electric power tool and its accessories are made from various materials such as metals and plastics. Take defective components to a special refuse collection point. Ask about these at your specialist shop or local council. The product and the user manual may be subject to changes. Technical data may be changed without prior notice.

11.1 Batteries

Think of the environment when disposing of batteries. Contact your local authorities to find out where your nearest disposal area is. Do not dispose of batteries with domestic refuse. Do not dispose of by burning, risk of explosion.

12. EC-Declaration of conformity

We, the **Batavia B.V., Weth. Wassebaliestraat 6d, NL-7951 SN Staphorst**, declare by our own responsibility that the product **Cordless drill & screwdriver, Model BT-CTD001, Item-No 7063778** is according to the basic requirements, which are defined in the European Directives Electromagnetic Compatibility **2014/30/EU** (EMC), **2006/42/EC** (Machinery), **2011/65/EU** (RoHS) and their amendments. For the evaluation of conformity, the following harmonized standards were consulted:

EN 62841-1:2015;
EN 62841-2-1:2018+A11:2019;
AfPS GS 2019:01;
EN 55014-1:2017;
EN 55014-2:2015

Staphorst, 1 September 2021

Meino Seinen, QA Representative Batavia B.V., Weth. Wassebaliestraat 6d, 7951 SN Staphorst, Netherlands

The product and the user manual may be subject to changes. Technical data may be changed without prior notice.

Sehr geehrte Damen und Herren

Bitte machen Sie sich in der Reihenfolge der Kapitel mit dem Gerät vertraut und bewahren Sie diese Bedienungsanleitung für spätere Zwecke gut auf.

Bitte beachten Sie die Sicherheitshinweise!

Diese Bedienungsanleitung enthält wichtige Hinweise zur Inbetriebnahme und Handhabung. Legen Sie die Anleitung dem Produkt bei, wenn Sie es an Dritte weitergeben.

1. Erläuterung der Symbole

Folgende Symbole werden im Benutzerhandbuch oder auf dem Produkt verwendet:



WARNUNG - Zur Verringerung des Verletzungsrisikos Bedienungsanleitung lesen.



Allgemeines Warnzeichen – Seien Sie aufmerksam und beachten Sie allgemeine Gefahren.



Tragen Sie immer einen Gehörschutz. Die Einwirkung von Lärm kann Hörverlust bewirken.



Tragen Sie eine Schutzbrille. Während der Arbeit entstehende Funken oder aus dem Elektrowerkzeug heraustretende Splitter, Späne und Stäube können Sichtverlust bewirken.



Elektrowerkzeug der Schutzklasse II. Dieses Zeichen symbolisiert, dass dieses Gerät der Schutzklasse II entspricht. Dies bedeutet, dass das Gerät mit einer verstärkten oder doppelten Isolierung zwischen Netzstromkreis und Ausgangsspannung beziehungsweise Metallgehäuse ausgestattet ist.



Die Drehzahl der Maschine kann elektronisch eingestellt werden.



CE steht für „Conformité Européenne“, dies bedeutet, Übereinstimmung mit EU Richtlinien“. Mit der CE Kennzeichnung bestätigt der Hersteller, dass dieses Elektrowerkzeug den geltenden europäischen Richtlinien entspricht.



Nicht in den Hausmüll entsorgen!

2. Sicherheitshinweise für Akkuboehrschrauber

2.1 Allgemeines

- Das Werkzeug/Ladegerät ist nicht dafür bestimmt durch Personen (einschließlich Kinder) mit eingeschränkten physischen, sensorischen oder geistigen Fähigkeiten, oder mangelnder Erfahrung und Wissen, benutzt zu werden; es sei denn, sie werden durch eine für ihre Sicherheit zuständige Person beauftragt oder erhalten von ihr Anweisungen, wie das Werkzeug/Ladegerät zu benutzen ist.
- Stellen Sie sicher, dass Kinder nicht mit dem Werkzeug/ Ladegerät spielen.
- Stellen Sie sicher dass Rechts-/Linkslauf-Umschalter (**7**) sich in der mittel- (Schluss-) Position befindet, bevor Sie Werkzeugeinstellungen vornehmen oder Zubehör wechseln, sowie beim Tragen oder Weglegen des Werkzeuges.
- Bearbeiten Sie kein asbesthaltiges Material (Asbest gilt als krebserregend).
- Staub von Materialien wie Farbe, die Blei enthält, einigen Holzarten, Mineralien und Metall kann schädlich sein (Kontakt mit oder Einatmen des Staubs kann zu allergischen Reaktionen und/ oder Atemwegserkrankungen beim Bediener oder Umstehenden führen); tragen Sie eine Staubmaske und arbeiten Sie mit einem Staubabsaugungssystem, wenn ein solches angeschlossen werden kann.
- Bestimmte Arten von Staub sind als karzinogen klassifiziert (beispielsweise Eichen- und Buchenholzstaub), insbesondere in Verbindung mit Zusätzen für die Holzvorbehandlung; tragen Sie eine Staubmaske und arbeiten Sie mit einem Staubabsaugungssystem, wenn ein solches angeschlossen werden kann.
- Beachten Sie die für Ihr verwendetes Verbrauchsmaterial gültigen nationalen Staubschutzvorgaben.

- Verwenden Sie beim Betrieb des Gerätes Schutzausrüstung einschließlich Schutzbrille oder Gesichtsschutz, Gehörschutz und Schutzkleidung einschließlich Schutzhandschuhen. Tragen Sie je nach auszuführender Aufgabe einen Atemschutz. Dieser muss mindestens der Klasse FFP-2 entsprechen. Falls der Betrieb des Gerätes Beschwerden oder Unbehagen auslöst, unterbrechen Sie die Arbeit umgehend und gehen Sie der Ursache auf den Grund.
 - Sorgen Sie für ausreichende Beleuchtung des Arbeitsbereiches.
 - Vergewissern Sie sich, dass der Bohrer sicher im Bohrfutter befestigt ist. Locker sitzende Einsatzwerkzeuge können aus dem Gerät geschleudert werden und eine Sicherheitsgefahr darstellen.
 - Setzen Sie das Einsatzwerkzeug, der Bohrer, niemals vor dem Einschalten des Gerätes auf das Werkstück.
 - Prüfen Sie vor Beginn der Arbeit, dass unter dem Werkstück ausreichend Freiraum für das Einsatzwerkzeug besteht.
 - Einsatzwerkzeuge werden während des Betriebs heiß. Lassen Sie sie vor dem Berühren abkühlen.
 - Entfernen Sie Sägemehl, Sägespäne oder Ausschussmaterial nahe dem Einsatzwerkzeug niemals mit den Händen.
 - Verwenden Sie nach Möglichkeit Spannvorrichtungen oder einen Schraubstock zur sicheren Befestigung des Werkstücks.
 - Untersuchen Sie das Bohrfutter regelmäßig auf Verschleißerscheinungen und Schäden. Lassen Sie defekte Teile von einer zugelassenen Vertragswerkstatt reparieren bzw. ersetzen.
 - Warten Sie stets, bis das Einsatzwerkzeug zum völligen Stillstand gekommen ist, bevor Sie das Gerät ablegen.
- stück vermeiden; diese vor Arbeitsbeginn Entfernen.
- Verwenden Sie geeignete Suchgeräte, um verborgene Versorgungsleitungen aufzuspüren, oder ziehen Sie die örtliche Versorgungsgesellschaft hinzu (Kontakt mit Elektroleitungen kann zu Feuer und elektrischem Schlag führen; Beschädigung einer Gasleitung kann zur Explosion führen; Eindringen in eine Wasserleitung verursacht Sachbeschädigung oder kann einen elektrischen Schlag verursachen).
 - Sichern Sie das Werkstück (ein mit Spannvorrichtungen oder Schraubstock festgehaltenes Werkstück ist sicherer gehalten als mit der Hand).

4. Während der Anwendung

- Halten Sie das Elektrowerkzeug an den isolierten Griffflächen **(9)**, wenn Sie Arbeiten ausführen, bei denen das Einsatzwerkzeug oder die Schraube verborgene Stromleitungen treffen kann (der Kontakt mit einer spannungsführenden Leitung kann auch Metallteile des Elektrowerkzeuges unter Spannung setzen und zu einem elektrischen Schlag führen).
- Im Falle von atypischem Verhalten oder Fremdgeräuschen schalten Sie das Werkzeug sofort aus oder ziehen Sie den Netzstecker des Ladegeräts aus der Steckdose.

5. Vor der ersten Benutzung

Nehmen Sie die Maschine und das Zubehör aus der Verpackung. Überprüfen Sie die Maschine auf Transportschäden und verwenden Sie diese nicht, wenn sie beschädigt ist. Halten Sie Verpackungsmaterialien von Kindern fern. Es besteht Erstickungsgefahr!

3. Vor der Anwendung

- Beschädigungen durch Schrauben, Nägel und ähnliches an Ihrem Werk-

6. Bestimmungsgemäße Verwendung

Der Akku-Bohrschrauber ist zum Anziehen und Lösen von Schrauben sowie zum Bohren in Holz, Metall und Kunststoff, jeweils unter Verwendung der entsprechenden Bits/Bohrer, vorgesehen. Das Gerät darf nur für den beschriebenen Zweck verwendet werden.

7. Betrieb

7.1 Drehrichtungssteuerung

- Die Drehrichtung kann mit Hilfe des Rechts-/Linkslauf-Umschalters (7) eingestellt werden.
- Schieben Sie den Rechts-/Linkslauf-Umschalter nach rechts, um Linkslauf zu wählen.
- Schieben Sie den Rechts-/Linkslauf-Umschalter nach links, um Rechtslauf zu wählen.

Hinweis: Wenn der Rechts-/Linkslauf-Umschalter mittig steht, ist die Bohrmaschine gesperrt und kann nicht eingeschaltet werden. Es empfiehlt sich, diese Einstellung als Sicherheitsfunktion zu nutzen, um ein versehentliches Einschalten des Gerätes zu verhindern.

7.2 Spannfutter/Bithalter auswählen

(Siehe **Abb. B**).

- Ziehen Sie den Schalter (6) nach unten und drehen Sie die Spannfutter/Bithalter-Baugruppe.

- Lassen Sie den Schalter (6) los und vergewissern Sie sich, dass das Spannfutter bzw. der Bithalter einrastet.

7.3 Drehmomentwähler – nur zum Schrauben/für den Bithalter

Drehen Sie den Drehmomentwähler (10) zur gewünschten Einstellung: Je höher die Zahl auf dem Drehmomentring ist, desto höher ist das vom Werkzeug erzeugte Drehmoment.

Beim Bohren wählt die Maschine automatisch die richtige Drehmomenteinstellung.

7.4 Drehzahleinstellung – nur zum Bohren/für das Spannfutter

Das Gerät verfügt über 2 Bohrgeschwindigkeiten, die sich durch Verschieben des Gangwahlschalters (4) nach vorne oder hinten einstellen lassen. Die Zahl auf dem Gangwahlschalter (4) zeigt, welche Stellung ausgewählt wurde.

Stellung 1: Für langsames Bohren, Bohreinsätze mit großem Durchmesser. Das Werkzeug gibt ein hohes Drehmoment bei geringer Drehzahl ab.

Stellung 2: Für schnelles Bohren oder Bohreinsätze mit kleinem Durchmesser. Das Werkzeug gibt ein geringeres Drehmoment bei hoher Drehzahl ab.

Zum Schrauben wählt die Maschine automatisch die richtige Drehzahl.

7.5 Auswahl:

	Wählen	Drehmomentwähler	Drehzahl
Schrauben	Bithalter	1 – 12*	Automatisch
Bohren	Spannfutter	Automatisch	1 oder 2

- * • Stellen Sie für kleine Schrauben oder weiche Werkstoffe eine niedrige Zahl ein.
 • Für große Schrauben, harte Werkstoffe und zum Lösen von Schrauben stellen Sie eine hohe Zahl ein.
 • Stellen Sie zum Eindrehen der Schrauben eine möglichst niedrige Zahl ein. Wenn die Rutschkupplung anspricht, bevor die Schraube vollständig eingedreht ist, stellen Sie eine höhere Zahl ein.

WICHTIGER HINWEIS: Falls das Gerät während der Anwendung übermäßig heiß läuft, stellen Sie den Betrieb sofort ein und lassen Sie es abkühlen, bevor Sie mit der Arbeit fortfahren. Die Abkühlzeit lässt sich verkürzen, indem die Bohrmaschine ohne Last bei maximaler Drehzahl betrieben wird. Achten Sie stets darauf, dass die Lüftungsschlitze (5) nicht verstopft oder bedeckt sind und verhindern Sie das Eindringen von Staub

über die Lüftungsschlitze in den Gerätekörper. Staub, insbesondere Metallstaub, kann das Gerät beschädigen oder zerstören.

7.6 Ein- und Ausschalten des Werkzeugs

Das Werkzeug wird mit dem EIN/AUS-Schalter **(8)** ein- bzw. ausgeschaltet. Mit diesem Schalter wird außerdem die Drehzahl abgeglichen.

- Das Werkzeug wird durch Drücken des EIN/AUS-Schalters **(8)** eingeschaltet. Je weiter der Schalter gedrückt wird, umso höher ist die Drehzahl.
- Bei Loslassen des EIN/AUS-Schalters **(8)** hält das Werkzeug an.

7.7 LED-Licht

Das LED-Licht **(14)** leuchtet automatisch, sobald Sie den Ein-/Ausschalter **(8)** drücken.

8. Zubehör

Nur Zubehör verwenden, dessen zulässige Drehzahl mindestens so hoch ist wie die höchste Leerlaufdrehzahl des Werkzeuges.

9. Wartung und Reinigung

WARNUNG: Trennen Sie das Ladegerät stets vom Stromnetz, bevor Sie Wartungs- oder Reinigungsarbeiten daran vornehmen. Entnehmen Sie den Akku, bevor Sie Wartungs- oder Reinigungsarbeiten an dem Gerät durchführen.

9.1 Wartung

Im Geräteinneren befinden sich keine weiteren zu wartenden Teile.

9.2 Reinigung

- Halten Sie Schutzvorrichtungen, Lüftungsöffnungen und Motorenhäuser so staub- und schmutzfrei wie möglich. Reiben Sie das Elektrowerkzeug mit einem sauberen Tuch ab oder blasen Sie es mit Druckluft bei niedrigerem Druck aus.
- Wir empfehlen, dass Sie das Elektrowerkzeug direkt nach jeder Benutzung reinigen.
- Reinigen Sie das Elektrowerkzeug regelmäßig mit einem feuchten Tuch und etwas Schmierseife.

Verwenden Sie keine Reinigungs- oder Lösungsmittel; diese könnten die Kunst-

stoffteile des Elektrowerkzeuges angreifen. Achten Sie darauf, dass kein Wasser in das Innere des Elektrowerkzeuges gelangen kann.

10. Technische Daten

Drehzahl Bohren	0 – 400 / 1500 min ⁻¹
Drehzahl Schrauben.	0 – 400 min ⁻¹
Bohrfutter.	10 mm
Bithalter	6,35 mm
Drehmoment.26 Nm
Gewicht	1,2 kg
Schalldruckpegel L _{PA}	67,6 dB(A)
Unsicherheit K _{PA}	5 dB(A)
Schalleistungspegel L _{WA}	78,6 dB(A)
Unsicherheit K _{WA}	5 dB(A)
Hand-Arm-Vibration.	1,061 m/s ²
Unsicherheit K	1,5m/s ²

11. Entsorgung



Entsorgen Sie Elektrowerkzeuge nicht über den Hausmüll.

Das Elektrowerkzeug befindet sich in einer Verpackung, um Transportschäden zu verhindern. Diese Verpackung ist Rohstoff und ist somit wieder verwendbar oder kann dem Rohstoffkreislauf zurückgeführt werden. Das Elektrowerkzeug und dessen Zubehör bestehen aus verschiedenen Materialien, wie z.B. Metall und Kunststoffe. Führen Sie defekte Bauteile der Sondermüllentsorgung zu. Fragen Sie im Fachgeschäft oder in der Gemeindeverwaltung nach!

11.1 Batterien

Denken Sie bei der Entsorgung von Batterien an den Umweltschutz. Wenden Sie sich zwecks einer umweltfreundlichen Entsorgung an die lokalen Behörden.

12. EG–Konformitätserklärung

Wir, die **Batavia B.V., Weth. Wassebalie-straat 6d, NL-7951 SN Staphorst**, erklären in alleiniger Verantwortung, dass das Produkt **Akku Bohrschrauber, Typ BT-CTD001, Artikel Nr. 7063778** den wesentlichen Schutzanforderungen genügt, die in den Europäischen Richtlinien **2014/30/EU** Elektromagnetische Verträglichkeit (EMV), **2006/42/EG** (Maschinen), **2011/65/EU** (RoHS) und deren Änderungen festgelegt sind. Für die Konformitätsbewertung wurden folgende harmonisierte Normen herangezogen:

EN 62841-1:2015;

EN 62841-2-1:2018+A11:2019;

AfPS GS 2019:01;

EN 55014-1:2017;

EN 55014-2:2015

Staphorst, den 1 September 2021



Meino Seinen, Qualitätsbeauftragter
Batavia B.V., Weth. Wassebaliestraat 6d,
NL-7951 SN Staphorst, Niederlande
Das Produkt und das Benutzerhandbuch
können geändert werden. Die technischen
Daten können ohne Vorankündigung geän-
dert werden.

Cher client

Les manuels d'utilisation contiennent des consignes importantes pour la manipulation de votre nouveau produit. Ils vous permettent d'utiliser toutes les fonctions, d'éviter des erreurs de compréhension et de prévenir les dommages.

Veillez prendre le temps de lire tranquillement ce manuel d'utilisation et conservez-le jalousement pour une consultation ultérieure.

1. Explication des symboles

Les symboles suivants sont utilisés dans le manuel d'utilisation ou apposés sur le produit :



AVERTISSEMENT : pour réduire les risques de blessures, veuillez lire le mode d'emploi.



Indique un risque de blessures, un danger mortel ou un risque d'endommagement de l'outil en cas de non-respect des consignes de ce mode d'emploi.



Portez en permanence une protection auditive. L'exposition au bruit peut provoquer des pertes d'audition.



Portez des lunettes de protection. Les étincelles provoquées par le travail ou les éclats, les copeaux et les poussières provenant de l'appareil électrique peuvent entraîner la perte de la vue.



Appareil électrique de la classe de protection II. Ce symbole signifie que cet appareil est conforme à la classe de protection II. Ceci signifie que l'appareil est équipé d'une isolation renforcée ou doublée entre le circuit de courant de réseau et la sortie électrique, c'est-à-dire le boîtier en métal.



Le nombre de rotations de la machine peut être réglé électroniquement.



CE est l'abréviation de "Conformité Européenne", ce qui signifie "conforme aux directives de l'Union Européenne". Le fabricant confirme

par le marquage CE que cet appareil électrique correspond aux directives européennes en vigueur.



Ne jetez pas les équipements électriques avec les ordures ménagères.

2. Instructions de sécurité pour perceuse/ visseuses sans fil

2.1 Généralités

- L'outil/chargeur n'a pas été conçu pour être utilisé par des personnes (y compris des enfants) dont les capacités physiques, sensorielles ou mentales sont réduites, ou manquant d'expérience ou de connaissances, excepté si elles ont fait l'objet d'une surveillance ou ont reçu des instructions concernant l'utilisation de l'outil/chargeur par une personne responsable de leur sécurité.
- Veillez à ce que les enfants ne jouent pas avec l'outil/le chargeur.
- Vérifiez que le bouton d'inversion du sens **(7)** est en position moyen (de blocage) avant d'effectuer des réglages sur l'outil ou de changer des accessoires, ainsi qu'en transportant ou rangant l'outil.
- Ne travaillez pas de matériaux contenant de l'amiante (l'amiante est considérée comme étant cancérigène).
- La poussière de matériaux, tels que la peinture contenant du plomb, certaines espèces de bois, certains minéraux et différents métaux, peut être nocive (le contact avec la poussière ou son inhalation peut provoquer des réactions allergiques et/ou des maladies respiratoires chez l'opérateur ou des personnes se trouvant à proximité); portez un masque anti poussières et travaillez avec un appareil de dépoussiérage lorsqu'il est possible d'en connecter un.
- Certains types de poussières sont classifiés comme étant cancérigènes (tels que la poussière de chêne ou de hêtre), en particulier en combinaison avec des additifs de traitement du bois; portez un masque anti poussières et travaillez

avec un appareil de dépoussiérage lorsqu'il est possible d'en connecter un.

- Suivez les directives nationales relatives au dépoussiérage pour les matériaux à travailler.
- Les chargeurs de batterie sont pour un usage intérieur seulement. Assurez-vous que la source d'alimentation et le chargeur soient protégés de l'humidité en permanence.
- L'utilisation d'une perceuse demande le port d'équipements de sécurité tels que lunettes ou visière de sécurité, casque anti-bruit et habillement protecteur tel que gants de sécurité. Portez un masque protecteur adapté à la tâche. Un indice minimal FFP2 est recommandé. Si l'utilisation de cet outil vous cause une gêne quelconque, arrêtez immédiatement et revoyez votre méthode d'utilisation.
- Assurez-vous de disposer d'un éclairage suffisant.
- Assurez-vous que les forets soient bien fixés dans le mandrin. Les forets mal insérés peuvent être éjectés de la machine et représentent un danger.
- Assurez-vous que le foret ne soit pas en contact avec la pièce de travail avant de mettre la perceuse en marche.
- Avant de commencer le perçage, assurez-vous de disposer de suffisamment d'espace libre sous la pièce à percer.
- Les accessoires (mèches, etc.) pourront avoir atteint des températures élevées lors du perçage, laissez-les refroidir avant de les manipuler.
- Ne retirez jamais la sciure ou la poussière avec les mains à proximité de la mèche.
- Examinez le mandrin régulièrement à la recherche de tout signe d'usure ou de dommage. Faites réparer les pièces endommagées par un centre de réparation homologué.
- Attendez toujours que la machine soit parvenue à un arrêt complet avant de la déposer.

3. Avant l'usage

- Faites attention aux vis, clous ou autres éléments qui pourraient se trouver dans la pièce à travailler et qui risqueraient d'endommager très fortement votre outil; enlevez-les avant de commencer le travail.
- Utilisez des détecteurs appropriés afin de localiser la présence de conduites électriques ou bien s'adresser à la société locale de distribution (un contact avec des lignes électriques peut provoquer un incendie et une décharge électrique; le fait d'endommager une conduite de gaz peut entraîner une explosion; le fait d'endommager une conduite d'eau peut entraîner des dégâts matériels ou causer une décharge électrique).
- Fixez solidement la pièce à travailler (une pièce fixée à l'aide de dispositifs de fixation est davantage assurée que si elle était tenue à la main).

4. Pendant l'usage

- Tenez l'outil par les surfaces de préhension isolées (9), lors de la réalisation d'une opération au cours de laquelle l'accessoire de coupe ou la vis peut entrer en contact avec un câblage non apparent (le contact avec un fil sous tension peut également mettre sous tension les parties métalliques de l'outil électrique et provoquer un choc électrique sur l'opérateur).
- En cas d'anomalie électrique ou mécanique, coupez immédiatement l'outil ou débranchez le chargeur du secteur.

5. Avant la première utilisation

Retirez la perceuse visseuse à percussion sans fil et les accessoires de l'emballage. Vérifiez si la perceuse visseuse à percussion sans fil a subi des dommages durant le transport et ne l'utilisez pas dans ce cas. Conservez les matériaux d'emballage hors de la portée des enfants, risque d'étouffement !

6. Utilisation normale

La perceuse/tournevis sans fil permet de serrer et de desserrer les vis, de percer le bois, le métal et le plastique, à l'aide de forets/embouts appropriés. L'équipement ne doit être utilisé que pour l'utilisation prévue.

7. Instructions d'utilisation

7.1 Changer le sens de rotation

- Le sens de rotation se change en utilisant le bouton d'inversion du sens de rotation (7).
- Pour le sens de rotation antihoraire, poussez le bouton vers la droite.
- Pour le sens de rotation horaire, poussez le bouton vers la gauche.

Remarque : Lorsque le bouton est placé au centre, la perceuse est bloquée et ne peut pas être mise en marche. Utilisez cette fonction de sécurité pour éviter les démarrages accidentels de la perceuse.

7.2 Choix du mandrin/porte-embouts

(Voir figure B).

- Appuyez sur le bouton (6) et tournez le mandrin/porte-embouts.

- Relâchez le bouton (6) et assurez-vous que le mandrin/porte-embouts choisi se met bien en place.

7.3 Sélecteur de couple (uniquement pour le vissage ou l'utilisation du porte-embouts)

Faites tourner le sélecteur de couple (10) sur le réglage souhaité : plus la valeur de la bague de couple est grande, plus le couple appliqué par l'outil sera élevé.

Pour le perçage, l'équipement sélectionnera automatiquement la valeur de couple correcte.

7.4 Réglage de vitesse (uniquement pour le perçage ou l'utilisation du mandrin)

La machine dispose de deux vitesses de perçage réglables en faisant glisser le commutateur de vitesse (4) vers l'avant ou vers l'arrière. Le numéro sur le commutateur de vitesse (4) indique la position choisie.

Position 1 : pour un perçage au ralenti, de grand diamètre. La machine est très puissante à faible vitesse.

Position 2 : pour un perçage rapide ou de petit diamètre. La machine est faible puissante à très vitesse.

Pour le vissage, l'équipement sélectionnera automatiquement la valeur de vitesse correcte.

7.5 Sélection :

	Choix	Sélecteur de couple	Vitesse
Vissage	Porte-embouts	1 à 12*	Automatique
Perçage	Mandrin	Automatique	1 ou 2

- * Sélectionnez un réglage bas pour les petites vis ou les matériaux de travail souples.
- Sélectionnez un réglage élevé pour les grandes vis et les matériaux de travail durs, ainsi que pour la dépose des vis.
 - Choisissez de préférence le couple le plus bas possible pour le vissage. Sélectionnez un réglage plus élevé si le moteur patine avant que la vis ne soit serrée à fond.

ATTENTION : Si l'appareil devient excessivement chaud pendant l'utilisation, arrêtez immédiatement de l'utiliser et laissez-le refroidir avant de recommencer à travailler

avec. La période de refroidissement peut être réduite en faisant marcher la perceuse à sa vitesse maximale à vide.

Vérifiez toujours que les orifices de ventilation du moteur (5) ne soient pas bouchés et ne laissez pas la poussière s'introduire dans les orifices de ventilation : la poussière, en particulier la poussière métallique peut endommager ou rendre l'appareil hors service.

7.6 Mise en marche et arrêt de la machine

L'interrupteur marche/arrêt (8) permet d'activer la machine et de régler la vitesse de rotation.

- Appuyez sur l'interrupteur marche/arrêt **(8)** pour activer la machine ; plus vous poussez le commutateur, plus rapide sera la rotation du foret.
- Relâchez l'interrupteur marche/arrêt **(8)** pour arrêter la machine.

7.7 Voyant DEL

La lampe DEL **(14)** s'allume automatiquement, dès que vous appuyez sur l'interrupteur marche/arrêt **(8)**.

8. Accessoires

La vitesse admissible des accessoires utilisées doit être au moins aussi élevée que la vitesse à vide maximale de l'outil.

9. Nettoyage et maintenance

9.1 Maintenance

Il n'y a aucune autre pièce nécessitant un entretien à l'intérieur de l'appareil.

9.2 Nettoyage

- Les équipements de protection, les fentes de ventilation et le carter du moteur doivent rester aussi propres que possible, sans poussière ni salissures. Nettoyez l'appareil électrique avec un chiffon propre ou en soufflant de l'air comprimé à faible pression.
- Nous conseillons de nettoyer l'appareil électrique immédiatement après chaque utilisation.
- Nettoyez régulièrement l'appareil électrique avec un chiffon humide et un peu de savon noir.

N'utilisez ni détergents ni solvants ; ceux-ci pourraient attaquer les parties en plastique de l'appareil. Veillez à empêcher la pénétration d'eau à l'intérieur de l'appareil électrique.

10. Fiche technique

Vitesse de rotation perçage	0 – 400 / 1500 min ⁻¹
Vitesse de rotation vissage	0 – 400 min ⁻¹
Capacité du mandrin	10 mm
Couple	26 Nm
Poids	1,2 kg
Niveau de pression acoustique L _{pA}	67,6 dB(A)
Incertitude K _{pA}	5 dB(A)
Niveau de puissance acoustique L _{WA}	78,6 dB(A)
Incertitude K _{WA}	5 dB(A)
Niveau des vibrations	1,061 m/s ²
Incertitude K	1,5m/s ²

11. Élimination et recyclage



N'éliminez pas les appareils électriques via les ordures ménagères.

L'appareil électrique se trouve dans un emballage afin d'éviter tout dommage pendant le transport. Cet emballage est une matière première et peut donc être réutilisé ultérieurement ou être réintroduit dans le circuit des matières premières.

L'appareil électrique et ses accessoires sont composés de plusieurs matériaux, par exemple des métaux et des matières plastiques. Éliminez les composants défectueux via les systèmes d'élimination des déchets spéciaux. Renseignez-vous dans un magasin spécialisé ou auprès de l'administration de votre commune!

Le produit et le manuel utilisateur peuvent être modifiés. Les caractéristiques techniques peuvent être modifiées sans préavis.

11.1 Batteries

Lors de l'élimination des batteries, pensez à la protection de l'environnement. Pour une élimination écologique, adressez-vous aux autorités locales.

12. CE-Déclaration de conformité

Nous, **Batavia B.V., Weth. Wassebaliestraat 6d, NL-7951 SN Staphorst**, déclarons sous notre seule responsabilité que le produit **Perceuse Visseuse à Percussion sans Fil, Modèle BT-CCD002, N° d'article 7063810** satisfait les principales exigences de protection définies dans les directives européennes compatibilité électromagnétique (CEM) **2014/30/EU, 2006/42/CE** (machines), **2011/65/EU** ainsi que les modifications y apportées. Pour évaluer la conformité nous avons eu recours aux normes harmonisées ci-dessous:

EN 62841-1:2015;
EN 62841-2-1:2018+A11:2019;
AfPS GS 2019:01;
EN 55014-1:2017;
EN 55014-2:2015

Staphorst, le 1 septembre 2021



Meino Seinen, Responsable de qualité
Batavia B.V., Weth. Wassebaliestraat 6d,
7951 SN Staphorst, Pays-Bas

Le produit et le manuel utilisateur peuvent être modifiés. Les caractéristiques techniques peuvent être modifiées sans préavis.

Geachte klant

Gebruikershandleidingen verstrekken nuttige tips m.b.t. gebruik van uw nieuwe apparaat. Ze helpen u alle functies te gebruiken, misverstanden te voorkomen en beschadiging te vermijden. Neem de tijd deze handleiding zorgvuldig te lezen en bewaar het als naslagwerk.

Lees alstublieft alle veiligheidsinstructies!

Deze handleiding bevat belangrijke informatie over het bedienen en hanteren van het apparaat. Bewaar deze gebruiksaanwijzing voor verdere verwijzing. Gelieve het samen met het toestel door te geven als deze aan derden wordt overhandigd.

1. Uitleg van de symbolen

De volgende symbolen worden gebruikt in de gebruikershandleiding of op het product:



WAARSCHUWING – Lees de gebruiksaanwijzing om het risico op letsel te verminderen.



Gevaar voor lichamelijk letsel of materiële schade wanneer de instructies in deze handleiding niet worden opgevolgd.



Draag altijd gehoorbescherming. Blootstelling aan lawaai kan leiden tot gehoorbeschadiging.



Draag een veiligheidsbril. Vonken die tijdens het werk ontstaan, of van de machine afkomstige splinters, spaanders en stof kunnen leiden tot oogbeschadiging.



Elektrisch gereedschap in beschermingsklasse II. Dit teken geeft aan dat de machine voldoet aan beveiligingsklasse II. Dit betekent dat de machine is voorzien van verzwaarde of dubbele isolatie tussen het netstroomcircuit en de uitgangsspanning of de metalen behuizing.



Variabele toerentalregeling.



CE staat voor: „Conformité Européenne”. Dit betekent:

„Voldoet aan EU-richtlijnen”. Met de CE-markering bevestigt de fabrikant dat deze machine voldoet aan de geldende Europese richtlijnen.



De machine mag niet worden afgevoerd met het huishoudelijk afval.

2. Veiligheidsvoorschriften voor oplaadbare boor-/schroefmachines

2.1 Algemeen

- De machine/oplader is niet bedoeld voor gebruik door personen (waaronder kinderen) met fysieke, zintuiglijke of mentale beperkingen, of een gebrek aan ervaring en kennis, tenzij zij onder toezicht staan of instructies hebben ontvangen ten aanzien van het gebruik van de machine/oplader door een persoon, die verantwoordelijk is voor hun veiligheid.
- Zorg ervoor dat kinderen de machine/oplader niet als speelgoed gebruiken.
- Zorg ervoor, dat de rotatierichting schakelaar **(7)** in de midden- (blokkeer-) positie staat, vóórdat u de machine instelt of accessoires verwisselt, en ook wanneer u de machine draagt of opbergt.
- Bewerk geen asbesthoudend materiaal (asbest geldt als kankerverwekkend).
- Stof van materiaal zoals loodhoudende verf, sommige houtsoorten, mineralen en metaal kunnen schadelijk zijn (contact met of inademing van de stof kan allergische reacties en/of ademhalingsziekten bij gebruiker of omstanders veroorzaken); draag een stofmasker en werk met een stofopvang-voorziening als die kan worden aangesloten.
- Bepaalde soorten stof zijn geclassificeerd als kankerverwekkend (zoals stof van eiken en beuken), met name in combinatie met toevoegingsmiddelen voor houtverzorging; draag een stofmasker en werk met een stofopvang-voorziening als die kan worden aangesloten.

- Neem voor de door u te bewerken materialen de nationale voorschriften aangaande stofopvang in acht.
- Bij het gebruik van de machine is de volgende veiligheidsuitrusting verplicht: veiligheidsbril, gehoorbescherming en handschoenen. Wanneer het boren stof produceert draagt u een stofmasker. Een minimale waardering van FFP2 is aanbevolen. Wanneer het gebruik van de machine op enige wijze voor ongemak zorgt, stopt u het werk onmiddellijk.
- Opladers zijn enkel geschikt voor binnen gebruik. Zorg ervoor dat de stroombron en oplader te allen tijde beschermd zijn tegen vocht.
- Zorg voor een goede verlichting.
- Zorg ervoor dat boren of bits stevig in de boorhouder vast zitten. Losse bits kunnen losschieten en ongelukken veroorzaken.
- Breng het bit niet in contact met het werkstuk voordat u de machine start.
- Controleer voordat u begint met boren of er genoeg vrije ruimte is onder het werkstuk.
- Boor bits worden tijdens gebruik erg heet. Laat ze na gebruik afkoelen.
- Verwijder zaagsel of vuil dicht bij het boor bit niet met uw handen.
- Controleer de boorhouder regelmatig op tekenen van slijtage en/of schade. Beschadigde onderdelen horen door een gekwalificeerd persoon vervangen te worden.
- Wacht met het neerleggen van de boor totdat deze volledig tot stilstand is gekomen.

3. Vóór gebruik

- Voorkom schade, die kan ontstaan door schroeven, spijkers en andere voorwerpen in uw werkstuk; verwijder deze, voordat u aan een karwei begint.
- Gebruik een geschikt detectieapparaat om verborgen stroom-, gas- of waterleidingen op te sporen of raadpleeg het plaatselijke energie- of waterleidingbedrijf (contact met elektrische leidingen

kan tot brand of een elektrische schok leiden; beschadiging van een gasleiding kan tot een explosie leiden; breuk van een waterleiding veroorzaakt materiële schade en kan tot een elektrische schok leiden).

- Zet het werkstuk vast (een werkstuk, dat is vastgezet met klemmen of in een bankschroef, zit steviger vast dan wanneer het met de hand wordt vastgehouden).

4. Tijdens gebruik

- Houd het elektrische gereedschap aan de geïsoleerde greepvlakken **(9)** vast als u werkzaamheden uitvoert waarbij het inzetgereedschap of de schroef verborgen stroomleidingen kan raken (contact met een onder spanning staande leiding kan ook metalen delen van het elektrische gereedschap onder spanning zetten en tot een elektrische schok leiden).
- In geval van elektrische of mechanische storing, de machine onmiddellijk uitschakelen of de oplader uit het stopcontact halen.

5. Voor het eerste gebruik

Haal de machine en de accessoires uit de verpakking. Controleer de machine op transportschade en gebruik de machine niet in geval van schade. Houd het verpakkingsmateriaal uit de buurt van kinderen, risico op verstikking!

6. Beoogd gebruik

De accuschroefboormachine is bestemd voor het vast- en losdraaien van schroeven, voor het boren in hout, metaal en kunststof, waarbij telkens de daarvoor bestemde bits/boren worden gebruikt. Het apparaat mag alleen voor het voorgeschreven doel worden gebruikt.

7. Gebruik

7.1 Rotatierichting

- De rotatierichting kan met behulp van de rotatierichting schakelaar **(7)** veranderd worden.
- Voor een rotatierichting linksom, duwt u de schakelaar naar rechts.

- Voor een rotatierichting rechtsonder, duwt u de schakelaar naar links.

Let op: Wanneer de schakelaar in het midden staat is de machine vergrendeld en kan deze niet ingeschakeld worden. Gebruik deze stand als veiligheidsfunctie om plotselinge inschakeling van de machine te voorkomen.

7.2 Boorkop/bithouder selecteren

(Zie Fig. B).

- Duw de schakelaar **(6)** naar beneden en draai de span-/bithouder.
- Laat de schakelaar **(6)** los en controleer of de gekozen span-/bithouder vastklikt.

7.3 Koppel draaischakelaar - alleen voor schroeven/bithouder

Draai de koppel draaischakelaar **(10)** om de gewenste instelling te kiezen: hoe hoger het getal op de koppel draaischakelaar, hoe

hoger het door het gereedschap geproduceerde koppel.

Bij het boren kiest de machine automatisch de juiste koppelinstelling.

7.4 Toerentalinstelling - alleen voor boren / boorkop

De machine heeft 2 mechanische snelheden, die u kunt instellen door de schakelaar **(4)** naar voren of naar achteren te schuiven. Het nummer op de schakelaar **(4)** geeft de gekozen stand aan.

Stand 1: Voor langzaam boren, een grote boordiameter. De machine beschikt over een hoger koppel bij een laag toerental.

Stand 2: Voor snel boren of een kleine boordiameter. De machine beschikt over een lager koppel bij een hoog toerental.

Bij schroeven indraaien kiest de machine automatisch de juiste toerentalinstelling.

7.5 Selectie:

	Selecteren	Koppelstand	Toerental
Schroeven	Bithouder	1- 12*	Automatisch
Boren	Boorkop	Automatisch	1 of 2

- * • Kies een lage koppelstand voor kleine schroeven of zacht werkmetaal.
 • Kies een hoge koppelstand voor grote schroeven, hard werkmetaal en bij het verwijderen van schroeven.
 • Kies bij voorkeur een zo laag mogelijke stand om schroeven in te draaien. Kies een hogere instelling als de motor slijt voordat de schroef volledig is vastgedraaid.

WAARSCHUWING: Wanneer de machine tijdens gebruik heet wordt, schakelt u deze onmiddellijk uit en laat u deze volledig afkoelen voordat u het werk hervat. Laat de machine voor korte tijd onbelast lopen om de koelperiode te minimaliseren. Zorg ervoor dat de ventilatiegaten **(5)** te allen tijde vrij zijn en voorkom de ingang van stof en vuil. Stof kan de machine beschadigen en mogelijk vernielen.

7.6 De machine in- en uitschakelen

De Aan / Uit-schakelaar **(8)** wordt gebruikt om de machine in te schakelen en de draaisnelheid in te stellen.

- U schakelt de machine in door op de Aan / Uit-schakelaar **(8)** te drukken; hoe verder u de schakelaar indrukt, des te sneller de boormachine gaat draaien.
- U stopt de machine door de Aan / Uit-schakelaar **(8)** los te laten.

7.7 LED-licht

Het LED-licht **(14)** gaat automatisch branden, zodra u op de Aan/Uit-schakelaar **(8)** drukt.

8. Accessoires

Gebruik alleen accessoires met een toegestaan toerental, dat minstens even hoog is als het hoogste onbelaste toerental van de machine.

9. Reiniging en onderhoud

9.1 Reiniging

- Houd veiligheidsvoorzieningen, ventilatieopeningen en de behuizing van de motor zo goed mogelijk vrij van stof en vuil. Veeg de machine af met een schone doek of blaas hem uit met perslucht onder lage druk.
- Wij bevelen aan om de machine direct na ieder gebruik te reinigen.
- Reinig de machine regelmatig met een vochtige doek en een beetje zachte zeep. Gebruik geen reinigings- of oplosmiddelen; die kunnen de kunststof delen van de machine aantasten. Let erop dat er geen water in het binnenste van de machine kan komen.

9.2 Onderhoud

In het binnenwerk van de machine bevinden zich geen te onderhouden onderdelen.

10. Technische gegevens:

Onbelast toerental boren

..... 0 – 400 / 1500 min⁻¹

Onbelast toerental schroeven .0 – 400 min⁻¹

Boorkop 10 mm

Koppel. 26 Nm

Gewicht 1,2 kg

Geluidsdrumniveau L_{pA}. 67,6 dB(A)

Onzekerheid K_{pA} 5 dB(A)

Geluidsvermogeniveau L_{WA} 78,6 dB(A)

Onzekerheid K_{WA} 5 dB(A)

Hand Arm Vibratie. 1,061 m/s²

Onzekerheid K 1,5m/s²

11. Afvalverwerking en hergebruik



De machine mag niet worden afgevoerd met het huishoudelijk afval.

De machine bevindt zich in een verpakking om transportschade te vermijden. Deze verpakking is grondstof en is dus herbruikbaar of kan weer in de grondstoffenkringloop teruggevoerd worden. De machine en zijn accessoires bestaan uit verschillende materialen, zoals bijv. metaal en kunststoffen. Voer defecte onderdelen af als gevaarlijke stoffen. Vraag bij de vakhandel of op het gemeentehuis om meer informatie!

Het product en de gebruiksaanwijzing kunnen wijzigen. De technische gegevens kunnen zonder voorafgaande aankondiging worden gewijzigd.

11.1 Batterijen

Denk bij het afvoeren van batterijen aan de bescherming van het milieu. Neem voor milieuvriendelijke afvoer contact op met de lokale overheid.

12. EG-Conformiteitsverklaring

Hiermee verklaren wij, **Batavia B.V., Wethouder Wassebaliestraat 6d, NL-7951 SN Staphorst**, dat het apparaat **Accu Klopboor, Model BT-CCD002, Artikel Nr. 7063810** op grond van zijn ontwerp en bouwwijze en in de door ons in omloop gebrachte uitvoering voldoet aan de desbetreffend van toepassing zijnde fundamentele veiligheids- en gezondheidsvereisten van de EG-richtlijnen: **2014/30/EU** (Elektromagnetische compatibiliteit), **2006/42/EG** (Machines), **2011/65/EU**. Voor de evaluatie van de conformiteit zijn de volgende geharmoniseerde normen toegepast:

EN 62841-1:2015;

EN 62841-2-1:2018+A11:2019;

AfPS GS 2019:01;

EN 55014-1:2017;

EN 55014-2:2015

Staphorst, 1 september 2021



Technische documentatie bewaard door:

Meino Seinen, Batavia B.V.,
Weth.Wassebaliestraat 6d, 7951 SN
Staphorst, Nederland

Het product en de gebruiksaanwijzing kunnen wijzigen. De technische gegevens kunnen zonder voorafgaande aankondiging worden gewijzigd.

Gentile cliente,

Leggendo accuratamente tutti i capitoli del presente manuale nell'ordine presentato, potrà acquisire dimestichezza con il corretto uso del dispositivo. La invitiamo a conservare queste istruzioni di utilizzo per successive consultazioni.

Leggere tutte le istruzioni di sicurezza.

Il presente manuale contiene informazioni importanti sull'utilizzo e la gestione del dispositivo. La invitiamo a conservare queste istruzioni di utilizzo per successive consultazioni. In caso di trasferimento dell'unità a terzi, dovrà essere ceduto anche il manuale.

1. Spiegazione dei simboli

I seguenti simboli sono utilizzati nel manuale di istruzioni e sul prodotto:



Avvertenza! Per ridurre il rischio di lesioni, l'utente deve leggere le istruzioni del presente manuale.



Indica il rischio di lesioni personali, morte o danni all'apparecchio derivante dal mancato rispetto delle istruzioni contenute nel presente manuale.



Indossare sempre un dispositivo di protezione acustica. Gli effetti del rumore possono causare la perdita dell'udito.



Indossare occhiali di sicurezza. Quando si lavora con utensili elettrici, possono essere generati scintille, schegge, trucioli e particelle di polvere che possono causare la perdita della vista.



Utensile elettrico, classe di protezione II. Questo simbolo indica che la presente unità appartiene alla categoria di Classe di protezione II. Questo vuol dire che l'unità è dotata di un sistema di isolamento rinforzato o doppio tra il circuito elettrico e la tensione di uscita o l'alloggiamento metallico rispettivamente.



Controllo della velocità variabile.



CE è l'abbreviazione di Conformità Europea e ha il significato di "Ai sensi dei regolamenti dell'Unione Europea". Attraverso la marcatura CE, il produttore attesta che il presente utensile elettrico è conforme alle direttive europee vigenti.



Non smaltire gli utensili elettrici con i normali rifiuti domestici.

2. Istruzioni di sicurezza per l'uso di trapani/avvitatori senza fili

2.1 Informazioni generali

- Non lavorare con materiali contenenti amianto. L'amianto è un materiale cancerogeno.
- L'utensile/Il caricabatterie non può essere utilizzato da persone (o bambini) con ridotte capacità fisiche, mentali o sensoriali, o che non abbiano adeguata esperienza o conoscenza, a meno che non siano supervisionati o istruiti in merito all'utilizzo dell'utensile/caricabatterie da un responsabile della loro sicurezza.
- Assicurarsi che i bambini non giochino con l'utensile/caricabatterie.
- Assicurarsi che il selettore Avanti/Indietro (**7**) sia in posizione centrale (blocco) prima di fare regolazioni o modifiche agli accessori, o anche prima di trasportare o conservare l'utensile.
- Non lavorare con materiali contenenti amianto (l'amianto è un materiale cancerogeno).
- La polvere di alcuni materiali, quali vernici contenenti piombo, alcuni tipi di legname, minerali e metalli possono essere dannosi (il contatto con la polvere o la sua inalazione può causare reazioni allergiche e/o disturbi respiratori agli operatori o agli astanti); indossare una maschera antipolvere e lavorare con un dispositivo di estrazione della polvere se collegabile.

- Alcuni tipi di polveri sono considerati cancerogeni (ad esempio la polvere di quercia e faggio), soprattutto in combinazione con alcuni additivi utilizzati nella lavorazione del legname; indossare una maschera antipolvere e lavorare con un dispositivo di estrazione della polvere se collegabile.
- Rispettare i requisiti delle norme nazionali relativi alle polveri per la lavorazione di tali materiali.
- Durante l'uso del trapano, indossare dispositivi di sicurezza adeguati, quali occhiali e maschere di sicurezza, protezioni acustiche, indumenti e guanti di protezione. Indossare protezioni delle vie respiratorie adatte alle attività intraprese. Si consiglia l'uso di dispositivi con un livello di protezione minimo FFP2. Se l'utilizzo degli utensili causa disagi di qualunque tipo, fermarsi immediatamente e rivedere il proprio metodo di utilizzo.
- I caricatori sono destinati solo all'uso per interni. Verificare che i caricatori e l'alimentatore siano sempre protetti dall'umidità.
- Garantire una luminosità adeguata.
- Verificare che la punta del trapano sia accuratamente fissata. Le punte del trapano non adeguatamente fissate possono essere espulse dal dispositivo causando il rischio di lesioni.
- Assicurarsi che la punta del trapano non sia a contatto con l'oggetto lavorato prima di avviare l'utensile.
- Prima di avviare il trapano, assicurarsi che ci sia spazio sufficiente per la punta nella parte inferiore dell'oggetto lavorato.
- Poiché le punte del trapano tendono a riscaldarsi durante l'utilizzo, lasciarle raffreddare prima di maneggiarle.
- NON rimuovere MAI con le mani segatura, trucioli o altri materiali di scarto in prossimità della punta del trapano.
- Esaminare regolarmente il mandrino del trapano per controllare la presenza di segni di usura o danni. Far riparare i

pezzi danneggiati solo da centri di assistenza qualificati.

- Attendere SEMPRE che il trapano sia completamente fermo prima di abbassarlo.

3. Prima dell'uso

- Evitare di danneggiare l'utensile in presenza di viti, chiodi e altri elementi dell'oggetto lavorato, rimuovendoli se presenti prima di mettersi al lavoro.
- Utilizzare opportuni rilevatori per individuare la presenza di eventuali linee nascoste o contattare le compagnie locali dei servizi pubblici per richiedere assistenza (il contatto con linee elettriche potrebbe causare incendi o scosse elettriche; il danneggiamento di tubature del gas potrebbe causare esplosioni; la rottura di tubature dell'acqua potrebbe causare danni alle cose o scosse elettriche).
- Fissare l'oggetto lavorato (l'oggetto lavorato sarà più sicuro se fissato con dispositivi di blocco o una morsa e non tenuto con le mani).

4. Durante l'uso

- Tenere l'utensile elettrico solo facendo presa su una superficie isolata **(9)** nei casi in cui l'accessorio di taglio o il dispositivo di fissaggio possono venire a contatto con cavi nascosti (gli accessori di taglio e i dispositivi di fissaggio a contatto con cavi in cui passa corrente potrebbero caricare le parti di metallo esposte dell'utensile elettrico, trasmettendo scosse all'operatore).
- In caso di malfunzionamenti elettrici o meccanici, spegnere immediatamente l'utensile o scollegarlo dall'alimentazione elettrica.

5. Operazioni preliminari al primo uso del prodotto

Rimuovere il dispositivo e gli accessori dalla confezione. Controllare la presenza di eventuali danni al dispositivo durante il trasporto e non usarlo se è danneggiato. Tenere i materiali di imballaggio del prodotto lontano

dalla portata dei bambini, perché possono essere causa di soffocamento.

6. Destinazione d'uso

Il trapano/L'avvitatore senza fili è progettato per avvitare e stringere viti, trapanare legname, metalli e plastica, usando sempre le punte/gli utensili adeguati all'oggetto da lavorare. L'apparecchio deve essere usato solo per gli scopi indicati.

7. Uso

7.1 Controllo della direzione

- La direzione di rotazione può essere regolata servendosi del selettore Avanti/Indietro (7).
- Per la rotazione in senso antiorario spingere il selettore a destra.
- Per la rotazione in senso orario spingere il selettore a sinistra.

Nota: Quando il selettore Avanti/Indietro è in posizione centrale, il trapano è bloccato e non può essere attivato. Si tratta di una funzione di sicurezza per impedire l'accensione accidentale del trapano.

7.2 Selezionare il mandrino/portapunte (Vedere Fig. B).

- Abbassare l'interruttore (6) e ruotare il mandrino / portapunte.

7.5 Selezione:

	Seleziona	Selettore di coppia	Velocità
Cacciavite	Portapunte	1 - 12*	Automatico
Perforazione	Mandrino	Automatico	1 o 2

- * Selezione di un'impostazione bassa per piccole viti o per lavorare materiali morbidi.
- Selezione di un'impostazione elevata per viti grandi, per lavorare materiali duri o per rimuovere viti.
 - Per l'utilizzo del cacciavite si consiglia di selezionare il valore più basso possibile. Selezionare un valore maggiore se il motore slitta prima di aver stretto completamente le viti.

AVVERTENZA: se l'utensile elettrico si riscalda eccessivamente durante l'utilizzo, smettere immediatamente di usarlo e

- Rilasciare l'interruttore (6) e assicurarsi che il mandrino o il portapunte selezionato scatti in posizione.

7.3 Selettore di coppia - solo per avvitamento / portapunte

Ruotare il selettore di coppia (10) per selezionare l'impostazione desiderata: più alto è il numero visualizzato sull'anello di indicazione della coppia, maggiore è la coppia generata dall'utensile.

Per la perforazione, la macchina selezionerà automaticamente l'impostazione di coppia corretta.

7.4 Impostazione della velocità - solo per perforazione / mandrino

Il trapano presenta 2 velocità, che possono essere selezionate facendo scorrere avanti e indietro il selettore a ingranaggio (4). Il numero sul selettore a ingranaggio (4) indica la posizione scelta.

Posizione 1: Aziona il trapano a bassa velocità, per praticare fori di grande diametro. La coppia generata dall'utensile a bassa velocità è più elevata.

Posizione 2: Aziona il trapano a bassa velocità, per praticare fori di piccolo diametro. La coppia generata dall'utensile a elevata velocità è più bassa.

Per l'avvitamento, la macchina selezionerà automaticamente la velocità corretta.

lasciarlo raffreddare prima di proseguire. Il periodo di raffreddamento può essere ridotto utilizzando il trapano alla massima velocità in assenza di carico. Assicurarsi che le ventole del motore (5) non siano ostruite e impedire che la polvere possa penetrare all'interno dell'utensile tramite le stesse; la polvere, specialmente quella metallica, può danneggiare anche in modo irreversibile l'utensile.

7.6 Accensione e spegnimento dell'avvitatore

L'interruttore **(8)** permette di attivare il dispositivo e di regolare la velocità di rotazione.

- Premere l'interruttore **(8)** per attivare il dispositivo; tenendo premuto ulteriormente l'interruttore, la velocità di rotazione del trapano aumenta.
- Rilasciando l'interruttore **(8)**, il dispositivo si arresta.

7.7 Luce LED

La luce LED **(14)** si accende automaticamente quando viene premuto l'interruttore di accensione/spegnimento **(8)**.

8. Accessori

Utilizzare solo accessori con velocità compatibile, pari almeno alla velocità massima dell'utensile in assenza di carico.

9. Manutenzione e pulizia

AVVERTENZA: scollegare sempre il dispositivo dall'alimentazione elettrica prima di procedere a operazioni di pulizia/manutenzione del caricabatterie. Rimuovere la batteria prima di procedere a operazioni di pulizia/manutenzione dell'utensile.

9.1 Manutenzione

Non sono presenti parti interne dell'utensile che richiedono manutenzione.

9.2 Pulizia

- Tenere i dispositivi di sicurezza, aperture di ventilazione e la carcassa del motore il più possibile liberi da sporco e polvere. Strofinare l'utensile elettrico con un panno pulito o soffiare su di esso con aria compressa a bassa pressione.
- Si consiglia di pulire l'utensile elettrico immediatamente dopo l'uso.
- Pulire l'utensile elettrico regolarmente con un panno umido e un sapone delicato.

Non utilizzare materiali di pulizia o solventi, questi possono attaccare i componenti in plastica del dispositivo. Assicurarsi che l'acqua non possa entrare all'interno dell'utensile elettrico.

10. Dati tecnici

Velocità perforazione . . .	0–400 / 1500 min ⁻¹
Velocità avvitamento	0 – 400 min ⁻¹
Mandrino	10 mm
Coppia.	26 Nm
Peso	1,2 kg
Livello di pressione sonora L _{PA} . . .	67,6 dB(A)
Incertezza K _{PA}	5 dB(A)
Livello di potenza sonora L _{WA} . . .	78,6 dB(A)
Incertezza K _{WA}	5 dB(A)
Vibrazione mano - braccio	1,061 m/s ²
Incertezza K	1,5 m/s ²

11. Smaltimento



Non smaltire gli utensili elettrici con i normali rifiuti domestici.

L'utensile elettrico viene spedito in una confezione per ridurre i danni dovuti al trasporto. Questo imballaggio è una materia prima e come tale può o essere riutilizzata o può essere reimmessa nel ciclo delle materie prime. L'utensile elettrico e i relativi accessori sono realizzati in vari materiali come metalli e plastiche. Portare i componenti difettosi a un punto di raccolta dei rifiuti. Chiedete informazioni su questi punti di raccolta al vostro negozio specializzato o Comune. Il prodotto e il manuale utente possono essere soggetti a modifiche. I dati tecnici possono essere modificati senza preavviso.

11.1 Batterie

Smaltire le batterie rispettando le norme di protezione ambientale. Contattare le autorità locali per sapere dove si trova il centro di smaltimento batterie più vicino.

Non smaltire le batterie con i rifiuti domestici.

Non smaltire le batterie bruciandole, altrimenti potrebbero esplodere.

12. Dichiarazione di conformità CE

Noi sottoscritti **Batavia B.V., Weth. Wassebaliestraat 6d, NL-7951 SN Staphorst**, dichiara sotto la sua piena responsabilità che il **trapano combinato senza fili, modello BT-CCD002, numero articolo 7063810** soddisfa i requisiti essenziali definiti nella Direttiva Europea sulla Compatibilità Elettromagnetica **2014/30/UE** (CEM), la **Direttiva 2006/42/CE** (Bassa tensione), la Direttiva **2011/65/UE** (RoHS) e i relativi emendamenti. Per la valutazione di conformità, sono stati consultati i seguenti standard armonizzati europei:

EN 62841-1:2015;
EN 62841-2-1:2018+A11:2019;
AfPS GS 2019:01;
EN 55014-1:2017;
EN 55014-2:2015

Staphorst, 1 settembre 2021



Meino Seinen, Rappresentante QA
Batavia B.V., Weth. Wassebaliestraat 6d,
7951 SN Staphorst, Paesi Bassi

Il prodotto e il manuale utente possono essere soggetti a modifiche. I dati tecnici possono essere modificati senza preavviso.

Estimado cliente:

Familiarícese con el uso adecuado del aparato leyendo todos los capítulos de este manual en el orden en el que se presentan. Conserve estas instrucciones para poder consultarlas con posterioridad.

¡Lea todas las instrucciones de seguridad!

Esta manual contiene información importante acerca de cómo operar y manipular el aparato. Conserve estas instrucciones para poder consultarlas con posterioridad. Si le cede el aparato a un tercero, entréguele también este manual.

1. Explicación de los símbolos

Los símbolos siguientes aparecen en el manual de usuario o en el producto:



¡Advertencia! Lea el manual de instrucciones para reducir el riesgo de lesiones personales.



Indica el riesgo de lesiones personales, muerte o daño de la herramienta en caso de no observar las instrucciones recogidas en este manual.



Utilice siempre protectores auditivos. La exposición al ruido puede causar pérdida de la audición.



Utilice gafas de seguridad. Al trabajar con herramientas eléctricas, se pueden generar chispas, astillas y partículas de polvo que pueden causar la pérdida de la visión.



Herramienta eléctrica, protección de Clase II. Este símbolo indica que la unidad cuenta con un grado de protección de Clase II. Esto significa que la unidad está equipada con un aislamiento reforzado, con un aislamiento doble entre el circuito de la red eléctrica y la tensión de salida o con una carcasa de metal respectivamente.



Control de velocidad variable.



El marcado CE (Conformidad Europea) es indicativo de que se cumple con las normativas de la UE. Con el marcado CE, el fabricante confirma que esta herramienta eléctrica cumple con las directivas europeas aplicables.



No deseche las herramientas eléctricas junto a los residuos domésticos.

2. Instrucciones de seguridad relativas a los destornilladores eléctricos/taladros inalámbricos**2.1 Aspectos generales**

- No trabaje materiales que contengan asbesto. El asbesto se considera cancerígeno.
- La herramienta y el cargador no han sido diseñados para su uso por parte de personas (incluyendo niños) con capacidades físicas, sensoriales o mentales reducidas o que carezcan de la experiencia y/o conocimientos necesarios, a menos que cuenten con la debida supervisión o hayan recibido las instrucciones sobre cómo usar la herramienta de la persona responsable de su seguridad.
- Asegúrese de que los niños no jueguen con la herramienta ni el cargador.
- Asegúrese de que el interruptor de avance/retroceso (7) esté en la posición media (de bloqueo) antes de realizar cualquier ajuste o cambiar los accesorios, así como durante el transporte o el almacenamiento de la herramienta.
- No utilice la herramienta sobre materiales que contengan asbesto (material considerado cancerígeno).
- El polvo proveniente de ciertos materiales, por ejemplo, pinturas con plomo, algunos tipos de madera y los metales,

puede ser dañino (al entrar en contacto o al inhalarse puede causar reacciones alérgicas y/o enfermedades respiratorias tanto al operador como a los transeúntes). Así pues, use una mascarilla antipolvo y trabaje con un dispositivo de aspiración de polvo que se pueda conectar.

- Ciertos tipos de polvo se consideran cancerígenos (como el polvo proveniente del roble y de la haya), especialmente en combinación con aditivos para el acondicionamiento de la madera. Así pues, utilice una mascarilla antipolvo y trabaje con un dispositivo de aspiración de polvo que se pueda conectar.
- Cumpla con los requisitos nacionales relativos al polvo en suspensión de los materiales con los que va a trabajar.
- Al usar el taladro, utilice un equipo de protección individual que incluya gafas o protector facial; protectores auditivos, y ropa de protección, incluidos unos guantes de seguridad. Utilice protección respiratoria adecuada en función de cada trabajo. Como mínimo, se recomienda un nivel de protección FFP2. Si al usar la herramienta siente cualquier molestia, deje de usarla de inmediato y evalúe el método de utilización.
- Los cargadores de baterías solo deben usarse en interiores. Asegúrese de que la fuente de alimentación y el cargador estén protegidos contra la humedad en todo momento.
- Asegúrese de trabajar con una iluminación adecuada.
- Asegúrese de que la broca esté bien asegurada en el portabrocas. Una broca mal asegurada puede salir eyectada de la herramienta, lo que supone un peligro.
- Asegúrese de que la broca no está en contacto con la pieza de trabajo antes de poner en marcha la herramienta.
- Antes de perforar, compruebe que haya espacio libre suficiente para la broca debajo de la pieza de trabajo.

- Las brocas se calientan durante la operación, así pues, permita que se enfríen antes de tocarlas.
- NUNCA utilice sus manos para quitar el serrín, virutas ni cualquier otro residuo cerca de la broca.
- Examine el portabrocas con regularidad para detectar cualquier desgaste o daño. Encargue la reparación de las piezas dañadas a un centro de reparación autorizado.
- SIEMPRE espere hasta que el destornillador eléctrico se haya detenido por completo antes de dejarlo sobre cualquier superficie.

3. Antes de usar

- Evite los daños que puedan causar los tornillos, clavos y otros elementos que se encuentren en su pieza de trabajo; así pues, extráigalos antes de comenzar a trabajar.
- Utilice los detectores apropiados para encontrar las tuberías y cables eléctricos ocultos o póngase en contacto con la compañía de suministros públicos para que le asistan (el contacto con las líneas eléctricas puede dar lugar a incendios y descargas eléctricas; dañar una línea de gas puede provocar una explosión, y perforar una tubería de agua causará daños en la propiedad o descargas eléctricas).
- Asegure la pieza de trabajo (una pieza de trabajo se asegura mejor con un dispositivo de sujeción o en un tornillo de banco que con la mano).

4. Durante el uso

- Sujete la herramienta eléctrica por las superficies de agarre aisladas **(9)** al realizar una operación en la que el accesorio de corte o mecanismo de sujeción pueda entrar en contacto con algún cableado oculto (si el accesorio de corte o los mecanismos de sujeción entran en contacto con un hilo conductor, las partes de metal expuestas de la herramienta eléctrica conducirán electricidad, por lo que el operador podría recibir una descarga eléctrica).

- En caso de mal funcionamiento eléctrico o mecánico, apague la herramienta o desenchufe el cargador de la fuente de alimentación de inmediato.

5. Antes de usar por primera vez

Saque la herramienta y los accesorios del paquete. Compruebe que la herramienta no haya sufrido ningún daño durante el transporte. En caso de notar algún daño, no la utilice. Mantenga el material de embalaje fuera del alcance de los niños, de manera de evitar cualquier riesgo de asfixia.

6. Uso previsto

El taladro/destornillador inalámbrico ha sido diseñado para apretar y aflojar tornillos, así como para perforar madera, metal y plástico usando las brocas y puntas de destornillador adecuadas. Utilice el equipo solo para los fines prescritos.

7. Utilización

7.1 Control de dirección

- El sentido de la rotación se ajusta mediante el interruptor de avance/retroceso (7).
- Para ajustar la rotación en sentido antihorario, empuje el interruptor hacia la derecha.
- Para ajustar la rotación en sentido horario, empuje el interruptor hacia la izquierda.

Nota: Si el interruptor de avance/retroceso está en la posición central, el taladro/destornillador eléctrico está bloqueado y no se puede encender. Use esta posición como mecanismo de seguridad para evitar que el

destornillador eléctrico se encienda accidentalmente.

7.2 Selección del portabrocas/portapuntas

(Consulte la **figura B**).

- Tire del interruptor (6) hacia abajo y gire el portabrocas/portapuntas.
- Suelte el interruptor (6) y asegúrese de que el portabrocas/portapuntas seleccionado calce en posición.

7.3 Selector del momento de torsión (solo para atornillar [portapuntas])

Gire el selector del momento de torsión (10) para seleccionar el ajuste deseado: cuanto mayor es el número indicado en el disco de selección del momento de torsión, mayor es el par generado por la herramienta.

Para taladrar, la herramienta selecciona automáticamente el momento de torsión adecuado.

7.4 Ajuste de la velocidad (solo para taladrar [portabrocas])

La herramienta tiene dos velocidades de perforación que se pueden ajustar deslizando el selector de marchas (4) hacia delante o hacia atrás. El número en el selector de marchas (4) indica la posición seleccionada.

Posición 1: Para perforar lentamente, taladrar agujeros de gran diámetro. El par de la herramienta es mayor a baja velocidad.

Posición 2: Para perforar rápidamente o taladrar agujeros de diámetro pequeño. El par de la herramienta es menor a alta velocidad.

Para atornillar, la máquina selecciona automáticamente la velocidad adecuada.

7.5 Selección:

	Seleccionar	Selector del momento de torsión	Velocidad
Atornillar	Portapuntas	1-12*	Automáticamente
Perforar	Portabrocas	Automáticamente	1 o 2

- * Seleccione un ajuste bajo en caso de tornillos pequeños o material de trabajo suave.
- Seleccione un ajuste alto para tornillos grandes, material de trabajo duro y para desatornillar.

- Preferiblemente, seleccione un ajuste lo más bajo posible para atornillar. Seleccione un ajuste más alto si el motor resbala antes de haber apretado completamente un tornillo.

ADVERTENCIA: Si la herramienta se calienta excesivamente durante el funcionamiento, deje de usarla de inmediato y permita que se enfríe antes de continuar el trabajo. El periodo de enfriamiento puede acortarse haciendo funcionar el taladro/destornillador eléctrico a máxima velocidad en vacío. Asegúrese siempre de que las rendijas de ventilación del motor **(5)** no estén bloqueadas. Además, no permita que entre polvo en el interior de la herramienta a través de estas rendijas de ventilación, especialmente cuando se trata de partículas de metal, las cuales pueden dañar la herramienta.

7.6 Encendido y apagado de la herramienta

El interruptor de encendido/apagado **(8)** se usa para activar la herramienta y ajustar la velocidad de rotación.

- Pulse el interruptor de encendido/apagado **(8)** para activar la máquina, cuanto más hacia adentro pulse el gatillo, más rápido girará el destornillador.
- Suelte el botón de encendido/apagado **(8)** para detener la herramienta.

7.7 Lámpara led

La lámpara led **(14)** se encenderá automáticamente al pulsar el gatillo de encendido/apagado **(8)**.

8. Accesorios

Utilice solo accesorios con una velocidad permitida que coincida al menos con la velocidad máxima sin carga de la herramienta.

9. Mantenimiento y limpieza

ADVERTENCIA: Antes de proceder a cualquier tarea de mantenimiento o limpieza del cargador, desconéctelo de la red eléctrica. Retire la batería antes de realizar cualquier tarea de mantenimiento o limpieza de la herramienta.

9.1 Mantenimiento

Ninguna parte interna de la herramienta requiere mantenimiento.

9.2 Limpieza

- Mantenga los dispositivos de seguridad, las aberturas de ventilación y la

carcasa del motor en el mejor estado de limpieza posible, esto es, deben estar libres de sucio y polvo. Para ello, utilice aire comprimido a baja presión y un paño limpio.

- Le recomendamos limpiar su herramienta eléctrica inmediatamente después de cada uso.
- Limpie la herramienta eléctrica regularmente con un paño humedecido con agua jabonosa (utilice únicamente detergentes suaves).

No utilice disolventes ni productos de limpieza, ya que pueden atacar las partes de plástico del aparato. Asegúrese de que el agua no penetre en el interior de la herramienta.

10. Datos técnicos

Velocidad taladrar	0–400 / 1500 min ⁻¹
Velocidad atornillar0 – 400 min ⁻¹
Portabrocas	10 mm
Par de torsión26 Nm
Peso	1,2 kg
Nivel de presión sonora (L _{pa})	67,6 dB(A)
Incertidumbre (K _{pa})	5 dB(A)
Nivel de potencia acústica (L _{WA})	78,6 dB(A)
Incertidumbre (K _{WA})	5 dB(A)
Vibración transmitida al sistema manobrazo	1,061 m/s ²
Incertidumbre K	1,5 m/s ²

11. Eliminación



No deseche las herramientas eléctricas junto a los residuos domésticos.

El embalaje en el que se envía esta herramienta reduce los daños debidos al transporte. El material de embalaje en cuestión es una materia prima que se puede reutilizar o reciclar. La herramienta eléctrica y sus accesorios están fabricados con diferentes materiales como metales y plástico. Lleve los componentes defectuosos a un punto de recogida de residuos especiales. Puede consultar con el vendedor o su ayuntamiento al respecto. Tanto el producto como el manual de usuario están sujetos a cambios. Los datos técnicos pueden cambiar sin previo aviso.

11.1 Baterías

Piense en el medioambiente al desechar las baterías. Póngase en contacto con las autoridades locales para saber dónde se encuentra el punto de recogida más cercano para este tipo de residuos.

No deseche las baterías junto a los residuos domésticos.

No elimine las baterías quemándolas, ya que esto entraña un riesgo de explosión.

12. Declaración CE de conformidad

Nosotros, **Batavia B.V., con domicilio social en Weth. Wassebaliestraat 6d, NL-7951 SN Staphorst**, declaramos bajo nuestra propia responsabilidad que el **taladro combinado inalámbrico, modelo BT-CCD002, n.º de artículo 7063810**, cumple con los requisitos básicos recogidos en la Directiva **2014/30/EU** del Parlamento Europeo y del Consejo en materia de compatibilidad electromagnética (EMC), la Directiva **2006/42/CE** relativa a las máquinas y la Directiva **2011/65/EU** sobre restricciones a la utilización de determinadas sustancias peligrosas en aparatos eléctricos y electrónicos (también conocida como RoHS) y sus enmiendas. Para la evaluación del cumplimiento normativo se consultaron las siguientes normas armonizadas:

EN 62841-1:2015;

EN 62841-2-1:2018+A11:2019;

AfPS GS 2019:01;

EN 55014-1:2017;

EN 55014-2:2015

Staphorst, 1 de septiembre de 2021

Meino Seinen, representante de Control de Calidad de Batavia B.V.,
Weth. Wassebaliestraat 6d, 7951 SN
Staphorst, Países Bajos

Tanto el producto como el manual de usuario están sujetos a cambios. Los datos técnicos pueden cambiar sin previo aviso.

Estimado cliente,

Familiarize-se com a utilização adequada do dispositivo através da leitura e cumprimento de cada capítulo deste manual, pela ordem apresentada. Guarde estas instruções de utilização para consulta futura.

Leia todas as instruções relacionadas com a segurança!

Este manual contém informações importantes sobre a utilização e manuseamento do dispositivo. Guarde estas instruções de utilização para consulta futura. Entregue-as juntamente com a unidade caso empreste o equipamento a terceiros.

1. Explicação dos símbolos

O seguintes símbolos são utilizados no manual do utilizador ou no produto:



Aviso! Para reduzir o risco de lesões, o utilizador deve ler o manual de instruções.



Indica risco de lesões corporais, morte ou danos no equipamento no caso de não observância das instruções neste manual.



Utilizar sempre proteção auditiva. Os efeitos do ruído podem causar perda de audição.



Utilizar óculos de proteção. Sempre que se trabalha com ferramentas elétricas, é possível a ocorrência de faíscas, lascas, farpas e partículas de pó, que podem causar perda de visão.



Ferramenta elétrica, proteção classe II. Este símbolo indica que esta unidade corresponde à Classe de Proteção II. Isto significa que o aparelho está equipado respetivamente com um isolamento duplo ou reforçado entre os circuitos elétricos e a saída de tensão ou o revestimento metálico.



Controlo de velocidade variável.

"CE" significa "Conformidade Europeia", o que indica "em conformidade com a regulamentação da UE". Com a marcação CE, o fabricante confirma que esta ferramenta elétrica cumpre com as diretivas europeias aplicáveis.



Não elimine as ferramentas elétricas juntamente com os resíduos domésticos.

2. Instruções de segurança para berbequins sem fios

2.1 Geral

- Não trabalhe com materiais que contenham amianto, pois é considerado carcinogénico.
- A ferramenta/carregador não se destina a ser utilizada por pessoas (incluindo crianças) com capacidades físicas, sensoriais ou mentais reduzidas, ou sem experiência e conhecimento, exceto se sob supervisão ou se tiverem recebido instruções relativas à utilização da ferramenta/carregador por parte de uma pessoa responsável pela sua segurança.
- Certifique-se de que as crianças não brincam com a ferramenta/carregador.
- Certifique-se de que o Interruptor de reversibilidade (7) se encontra na posição média (bloqueio) antes de fazer quaisquer ajustes ou carregar os acessórios, ou sempre que transportar ou armazenar a ferramenta.
- Não trabalhe com materiais que contenham amianto (o amianto é considerado carcinogénico).
- O pó de materiais como tinta com chumbo, algumas espécies de madeira, minerais e metais podem ser nocivos (o contacto com ou a inalação de pó pode provocar reações alérgicas e/ou doenças respiratórias ao utilizador e pessoas nas imediações); utilize uma máscara antipó e trabalhe com um dispositivo de extração de pó, se possível.

- Alguns tipos de pó são considerados carcinogénicos (como é o caso do pó de carvalho e de faia), especialmente em conjugação com alguns aditivos para tratamento da madeira; utilize uma máscara antipó e trabalhe com um dispositivo de extração de pó, se possível.
 - Siga os requisitos nacionais em matéria de pó relativos aos materiais com os quais pretende trabalhar.
 - Sempre que utilizar o berbequim, use equipamento de segurança, incluindo óculos de proteção ou viseira, protetores auditivos e vestuário de proteção incluindo luvas de segurança. Utilize proteção respiratória adequada para o trabalho a desempenhar. Recomenda-se uma classificação mínima de FFP2. Se a utilização da ferramenta provoca algum tipo de desconforto, pare imediatamente e reveja o método de utilização.
 - Os carregadores de bateria destinam-se apenas a espaços interiores. Certifique-se de que a alimentação elétrica e o carregador estão sempre protegidos contra humidade.
 - Certifique-se de que a iluminação é adequada.
 - Certifique-se de que a ponta do berbequim se encontra firmemente fixada no mandril. As pontas não fixadas podem ser ejetadas da máquina, constituindo um perigo.
 - Certifique-se de que a ponta do berbequim não entra em contacto com a peça de trabalho antes de ligar a ferramenta.
 - Antes de perfurar, verifique se existe uma folga suficiente para a ponta do berbequim por baixo da peça de trabalho.
 - As pontas do berbequim ficam quentes durante a operação; permita que arrefeçam antes de as manusear.
 - NUNCA utilize as suas mãos para remover serradura, lascas ou resíduos junto da ponta.
 - Examine o mandril regularmente e veja se tem sinais de desgaste ou danos. As peças danificadas devem ser reparadas por um centro de assistência qualificado.
 - Espere SEMPRE até o berbequim parar completamente antes de o pousar.
- ### 3. Antes da utilização
- Evite danos que possam ser provocados por parafusos, pregos e outros elementos no seu local de trabalho; remova-os antes de começar a trabalhar.
 - Utilize detetores adequados para identificar linhas de serviços ocultas, ou contacte a empresa local responsável para obter assistência (o contacto com linhas elétricas pode provocar incêndios ou choques elétricos; danos nas condutas de gás podem provocar explosões; a penetração de uma tubagem de água provocará danos materiais ou choques elétricos).
 - Fixe a peça de trabalho (uma peça de trabalho fixada com dispositivos de retenção ou num torno é fixada de forma mais segura do que apenas com as mãos).
- ### 4. Durante a utilização
- Segure a ferramenta pelas superfícies isoladas para esse fim **(9)**, quando realizar alguma operação na qual o acessório de corte ou aperto possa ficar em contacto com cablagem oculta (acessórios de corte e aperto em contacto com um fio sob tensão podem eletrificar peças metálicas expostas da ferramenta e podem provocar um choque elétrico ao utilizador).
 - No caso de avaria elétrica ou mecânica, desligue imediatamente a ferramenta ou desligue o carregador da tomada elétrica.
- ### 5. Antes da primeira utilização
- Retire a máquina e os acessórios da embalagem. Verifique se a máquina apresenta danos causados pelo transporte e, se assim for, não a utilize. Mantenha os materiais de

embalamento longe do alcance das crianças - risco de asfixia!

6. Utilização prevista

O furador/aparafusadora sem fios foi concebido para apertar e desapertar parafusos, para furar madeira, metal e plástico, utilizando sempre a ferramenta de furação/os furadores adequados. O equipamento destina-se a ser utilizado apenas para o seu fim previsto.

7. Operação

7.1 Controlo de direção

- A direção da rotação pode ser definida utilizando o interruptor de reversibilidade (7).
- Para uma rotação no sentido contrário ao dos ponteiros do relógio, empurre o interruptor para a direita.
- Para uma rotação no sentido dos ponteiros do relógio, empurre o interruptor para a esquerda.

Nota: quando o Interruptor de reversibilidade se encontra na posição central, o berbequim está bloqueado e não pode ser ligado. Utilize esta definição como medida de segurança para impedir que o berbequim seja ligado acidentalmente.

7.2 Selecionar o suporte de mandril/ferramenta de furação

(veja a Fig. B).

- Puxe o interruptor (6) para baixo e rode o suporte de mandril/ferramenta de furação.
- Solte o interruptor (6) e certifique-se de que o suporte de mandril ou ferramenta de furação selecionado está devidamente fixado no lugar.

7.3 Seletor de aperto - apenas para suportes de aparafusadora/ferramenta de furação

Rode o seletor de aperto (10) para selecionar a definição pretendida: quanto maior for o número indicado no anel de aperto, maior será o aperto produzido pela ferramenta.

Para furar, a máquina irá selecionar a definição de aperto correta automaticamente.

7.4 Definição de velocidade - apenas para furar/mandril

A máquina dispõe de 2 velocidades de perfuração, que podem ser ajustadas deslizando o Interruptor de engrenagem (4) para a frente ou para trás. O número no Interruptor de engrenagem (4) indica a posição escolhida.

Posição 1: para perfuração a baixa velocidade, grandes diâmetros de perfuração. A máquina tem um aperto mais elevado a uma velocidade baixa.

Posição 2: para perfuração rápida ou pequenos diâmetros de perfuração. A máquina tem um aperto mais baixo a uma velocidade elevada.

Para aparafusar, a máquina irá selecionar a velocidade correta automaticamente.

7.5 Seleção:

	Selecionar	Seletor de aperto	Velocidade
Aparafusar	Suporte de ferramenta de furação	1 - 12*	Automaticamente
Furar	Mandril	Automaticamente	1 ou 2

- *
- Selecione uma definição baixa para pequenos parafusos ou material de trabalho macio.
 - Selecione uma definição alta para grandes parafusos, materiais de trabalho rígidos e para remover parafusos.

- Preferencialmente, deve escolher a definição mais baixa possível quando desejar aparafusar. Selecione uma definição mais alta se o motor deslizar antes de o parafuso ficar totalmente apertado.

AVISO: Se a ferramenta ficar excessivamente quente durante a utilização, pare a máquina imediatamente e deixe-a arrefecer antes de continuar o trabalho. O período de arrefecimento pode ser reduzido se operar o berbequim à velocidade máxima sem carga. Certifique-se sempre de que os orifícios de ventilação (5) não se encontram obstruídos e não permitem a entrada de pó para o corpo da ferramenta através deles; o pó, especialmente pós metálicos, podem danificar ou destruir a ferramenta.

7.6 Ligar e desligar a máquina

O Interruptor de ligar/desligar (8) é utilizado para ativar a máquina e ajustar a velocidade de rotação.

- Prima o Interruptor de ligar/desligar (8) para ativar a máquina; quanto mais premir o interruptor, maior será a velocidade de rotação.
- Se soltar o interruptor de ligar/desligar (8) a máquina irá parar.

7.7 Luz LED

A Luz LED (14) irá acender-se automaticamente se premir o interruptor de ligar/desligar (8).

8. Acessórios

Utilize apenas acessórios com uma velocidade permitida que coincida com a velocidade máxima sem carga da ferramenta.

9. Manutenção e limpeza

AVISO: desligue sempre da rede elétrica antes de realizar qualquer manutenção/ limpeza do carregador. Retire a bateria antes de realizar qualquer manutenção/ limpeza da ferramenta.

9.1 Manutenção

Não existem quaisquer peças internas que necessitem de manutenção.

9.2 Limpeza

- Mantenha os dispositivos de segurança, os orifícios de ventilação e a caixa do motor o mais limpos possível (de sujidade e pó). Limpe a ferramenta elétrica com um pano limpo ou sobre-a com um equipamento de ar comprimido de baixa pressão.

- Recomendamos a limpeza da sua ferramenta elétrica imediatamente após cada utilização.
- Limpe a ferramenta elétrica regularmente com um pano húmido e algum sabão suave.

Não utilize quaisquer materiais de limpeza ou solventes, já que podem danificar os componentes plásticos do dispositivo. Certifique-se de que a água não penetra no interior da ferramenta elétrica.

10. Dados técnicos

Velocidade furar	0–400 / 1500 min ⁻¹
Velocidade aparafusadora	0 – 400 min ⁻¹
Mandril	10 mm
Aperto26 Nm
Peso	1,2 kg
Nível de pressão sonora L _{PA}	67,6 dB(A)
Incerteza K _{PA}	5 dB(A)
Nível de pressão sonora L _{WA}	78,6 dB(A)
Incerteza K _{WA}	5 dB(A)
Vibrações transm. mão-braço.	1,061 m/s ²
Incerteza K	1,5 m/s ²

11. Eliminação



Não elimine as ferramentas elétricas juntamente com os resíduos domésticos.

Esta ferramenta elétrica é expedida numa embalagem para minimizar os danos de transporte. Esta embalagem é uma matéria-prima e, como tal, pode ser reutilizada ou reintroduzida no respetivo ciclo. Esta ferramenta elétrica e os seus acessórios são feitos de vários materiais, tais como metais e plásticos. Leve as peças defeituosas para um ponto de recolha especial. Coloque as suas questões a este respeito numa loja da especialidade ou autoridade local. O produto e o manual do utilizador podem ser sujeitos a alterações. Os dados técnicos podem ser alterados sem aviso prévio.

11.1 Bateria

Pense no ambiente sempre que eliminar baterias. Contacte as autoridades locais para saber a localização da área de eliminação de resíduos mais próxima.

Não elimine as baterias juntamente com os resíduos domésticos.

Não elimine a bateria queimando-a - risco de explosão.

12. Declaração de conformidade CE

Nós, **Batavia B.V., Weth. Wassebaliestraat**

6d, NL-7951 SN Staphorst, declaramos

sob a nossa responsabilidade que o pro-

duto **Berbequim combinado sem fios,**

Modelo BT-CCD002, Item n.º 7063810

está de acordo com os requisitos

básicos definidos nas Diretivas Europeias

2014/30/UE relativa à compatibilidade

eletromagnética (CEM), 2006/42/CE

(relativa às máquinas), **2011/65/UE**

(relativa à restrição do uso de determinadas

substâncias perigosas em equipamentos

elétricos e eletrónicos) e respetivas altera-

ções. Para a avaliação de conformidade,

foram consultadas as seguintes normas

harmonizadas:

EN 62841-1:2015;

EN 62841-2-1:2018+A11:2019;

AfPS GS 2019:01;

EN 55014-1:2017;

EN 55014-2:2015

Staphorst, 1 de Setembro de 2021



Meino Seinen, QA Representative

Batavia B.V., Weth. Wassebaliestraat 6d,

7951 SN Staphorst, Países Baixos

O produto e o manual do utilizador podem

ser sujeitos a alterações. Os dados técnicos

podem ser alterados sem aviso prévio.

Szanowny Kliencie!

Prosimy o zapoznanie się z prawidłowym użyciem urządzenia poprzez przeczytanie każdego z poniższych rozdziałów instrukcji, w podanej kolejności. Zachować instrukcję obsługi do wykorzystania w przyszłości.

Należy przeczytać wszystkie instrukcje dotyczące bezpieczeństwa!

Niniejsza instrukcja zawiera najważniejsze informacje dotyczące bezpiecznej obsługi i korzystania z urządzenia. Zachować instrukcję obsługi do wykorzystania w przyszłości. Prosimy o dołączenie instrukcji do urządzenia w przypadku przekazywania urządzenia innej osobie.

1. Objasnienie symboli

W instrukcji obsługi lub na produkcie stosowane są następujące symbole:



Ostrzeżenie! W celu zredukowania ryzyka obrażeń użytkownik musi przeczytać instrukcję obsługi.



Wskazuje na zagrożenie zranieniem ciała, utratą życia lub uszkodzeniem narzędzia w przypadku nieprzestrzegania zaleceń zawartych w niniejszej instrukcji.



Zawsze stosować ochronę słuchu. Narażenie na hałas może spowodować utratę słuchu.



Nosić okulary ochronne. Podczas pracy z elektronarzędziami może dochodzić do powstawania iskier, odprysków, wiórów oraz cząstek pyłu, które mogą spowodować utratę wzroku.



Elektronarzędzie, klasa ochrony II. Znak ten oznacza, że urządzenie odpowiada klasie ochrony II. Oznacza to, że urządzenie jest wyposażone odpowiednio albo we wzmacnioną, albo w podwójną izolację między obwodami zasilania a napięciem wyjściowym lub obudową metalową.



Bezstopniowa regulacja prędkości.



CE jest skrótem od „Conformité Européenne”, co oznacza „zgodne z przepisami UE”. Za pomocą znaku CE producent potwierdza, że niniejsze elektronarzędzie spełnia wymagania obowiązujących dyrektyw UE.



Nie należy utylizować elektronarzędzi z odpadami domowymi.

2. Zalecenia bezpieczeństwa dla bezprzewodowych wiertarko-wkrętarek

2.1 Ogólne

- Nie wolno obrabiać materiałów zawierających azbest. Azbest traktowany jest jako materiał rakotwórczy.
- Narzędzie/ładowarka nie jest przeznaczone do stosowania przez osoby (w tym dzieci) o ograniczonych zdolnościach fizycznych, sensorycznych lub psychicznych lub nieposiadające doświadczenia albo wiedzy, chyba że pozostają one pod nadzorem lub zostaną przeszkolone przez osobę odpowiedzialną za ich bezpieczeństwo w zakresie użytkowania narzędzia/ładowarki.
- Nie pozwalać dzieciom bawić się narzędziem/ładowarką.
- Przed wykonaniem jakiegokolwiek regulacji lub wymiany osprzętu jak również przed przeniesieniem lub schowaniem narzędzia upewnić się, że przełącznik kierunku obrotów (7) znajduje się w położeniu środkowym (blokada).
- Nie wolno obrabiać materiałów zawierających azbest (azbest traktowany jest jako materiał rakotwórczy).
- Pył z materiału takiego jak farba zawierająca ołów, niektóre gatunki drewna, minerały lub metale może być szkodliwy (kontakt z pyłem lub wdychanie go może spowodować reakcje alergiczne i/lub choroby układu oddechowego u operatora lub osób postronnych); nosić maskę przeciwpylową lub

pracować z urządzeniem do odsysania pyłu, jeśli można je podłączyć.

- Pewne rodzaje pyłu są klasyfikowane jako rakotwórcze (np. pył dębowy lub bukowy) szczególnie w połączeniu ze środkami do impregnacji drewna; nosić maskę przeciwpyłową lub pracować z urządzeniem do odsysania pyłu, jeśli można je podłączyć.
- Przestrzegać krajowych przepisów dotyczących zapylenia dla materiałów, które będą obrabiane.
- W przypadku korzystania z wiertarki stosować środki ochrony, takie jak okulary ochronne lub przyłbicę, ochronę słuchu oraz odzież ochronną w tym rękawice ochronne. Stosować ochronę dróg oddechowych odpowiednią do wykonywanej pracy. Zalecana jest minimalna klasyfikacja FFP2. Jeśli obsługa narzędzia powoduje jakikolwiek dyskomfort, należy natychmiast zaprzestać użytkowania i poddać weryfikacji sposobu użycia.
- Ładowarki do akumulatorów przeznaczone są tylko do użytku w pomieszczeniach. Należy zapewnić, że zasilanie i ładowarka są przez cały czas chronione przed wilgocią.
- Zapewnić odpowiednie oświetlenie.
- Upewnić się, że wiertło jest pewnie zamocowane w uchwycie. Niezabezpieczone wiertło może zostać wyrzucone z urządzenia, powodując zagrożenia.
- Przed uruchomieniem narzędzia upewnić się, że wiertło nie styka się z obrabianym materiałem.
- Przed wierceniem sprawdzić, czy pod obrabianym elementem jest wystarczająca ilość miejsca dla wiertła.
- Wiertła ulegają nagrzaniu podczas pracy, przed manipulowaniem nimi należy poczekać, aż się ochłodzą.
- NIGDY nie usuwać rękoma wiórów, opiłków lub zanieczyszczeń w pobliżu wiertła.
- Należy regularnie sprawdzać uchwyt pod kątem oznak zużycia lub uszkodzenia. Uszkodzone części powinny być

naprawiane przez wykwalifikowane centrum serwisowe.

- Przed odłożeniem narzędzia należy ZAWSZE poczekać na całkowite zatrzymanie końcówki.

3. Przed użyciem

- Unikać uszkodzeń, które mogą zostać spowodowane wkrętami, gwoździami oraz innymi elementami w obrabianym przedmiocie; usunąć je przed rozpoczęciem pracy.
- Zastosować odpowiednie urządzenia do wykrywania niewidocznych przewodów mediów lub skontaktować się z lokalnym dostawcą mediów celem uzyskania pomocy (kontakt z przewodami elektrycznymi może prowadzić do pożaru lub porażenia prądem elektrycznym; uszkodzony przewód gazowy może spowodować wybuch; przebicie rury wodociągowej może spowodować uszkodzenie mienia lub porażenie prądem elektrycznym).
- Przymocować obrabiany element (element zabezpieczony za pomocą narzędzi zaciskowych lub imadła jest zablokiowany pewniej niż w przypadku trzymania go w ręce).

4. Podczas użytkowania

- Podczas wykonywania prac, w trakcie których narzędzie tnące lub element złączny mogą zetknąć się z ukrytym przewodem trzymać elektronarzędzie za izolowane powierzchnie do chwytania **(9)** (zetknięcie narzędzia tnącego lub elementu złącznego z przewodem pod napięciem może spowodować, pojawienie się napięcia na odsłoniętych metalowych częściach elektronarzędzia, co może spowodować porażenie operatora prądem elektrycznym).
- W przypadku usterki elektrycznej lub mechanicznej należy natychmiast wyłączyć narzędzie i wyciągnąć wtyczkę ładowarki z gniazda zasilania.

5. Przed pierwszym użyciem

Wyjąć urządzenie oraz akcesoria z opakowania. Sprawdzić urządzenie pod kątem uszkodzeń w czasie transportu i w razie uszkodzeń nie używać urządzenia. Opakowania chronić przed dziećmi, ryzyko uduszenia!

6. Przeznaczenie

Bezprzewodowa wiertarka/wkrętarka jest przeznaczona do wkręcania i wykręcania wkrętów, do wiercenia w drewnie, metalu oraz tworzywach sztucznych, w każdym przypadku z zastosowaniem odpowiednich końcówek/wiertel. Urządzenie może być wykorzystywane tylko zgodnie z przeznaczeniem.

7. Obsługa

7.1 Sterowanie kierunkiem obrotów

- Kierunek obrotów można ustawić za pomocą przełącznika kierunku obrotów (7).
- W celu włączenia obrotów w lewo popchnąć przełącznik w prawo.
- W celu włączenia obrotów w prawo popchnąć przełącznik w lewo.

Uwaga: Kiedy przełącznik kierunku obrotów znajduje się w położeniu środkowym, końcówka jest zablokowana i urządzenie nie może zostać włączone. Wykorzystać to ustawienie jako funkcję zabezpieczającą, aby zapobiec przypadkowemu włączeniu urządzenia.

7.5 Wybór:

	Wybierz	Wybierak momentu	Prędkość obrotowa
Wkręcanie	Uchwyt na końcówki	1–12*	Automatycznie
Wiercenie	Uchwyt	Automatycznie	1 lub 2

- *
- Wybrać niższe ustawienie w przypadku małych wkrętów lub obróbki miękkiego materiału.
 - Wybrać wyższe ustawienie w przypadku dużych wkrętów, obróbki twar-

7.2 Wybrać uchwyt wiertarski / uchwyt na końcówki

(Patrz **rys. B**).

- Pociągnąć przełącznik (6) w dół i obrócić uchwyt wiertarski / uchwyt na końcówki.
- Zwolnić przełącznik (6) i upewnić się, że wybrany uchwyt wiertarski / uchwyt na końcówki zatrzasnął się.

7.3 Wybierak momentu – tylko do wkręcania / uchwytu na końcówki

Obrócić wybierak momentu (10) w celu wybrania wymaganych ustawień: im wyższa wartość widoczna na pierścieniu momentu, tym wyższy moment wytwarzany przez narzędzie.

Do wiercenia urządzenie automatycznie wybierze właściwą nastawę momentu.

7.4 Ustawienie prędkości – tylko dla wiercenia / uchwytu wiertarskiego

Urządzenie posiada 2 ustawienia prędkości wiercenia, które można wybrać, przesuwając przełącznik przełożenia (4) do przodu lub do tyłu. Cyfra na przełączniku przełożenia (4) wskazuje, która pozycja została wybrana.

Pozycja 1: Do wolnego wiercenia, dużych średnic wiercenia. Maszyna ma większy moment przy niskich prędkościach obrotowych.

Pozycja 2: Do szybkiego wiercenia lub małych średnic wiercenia. Maszyna ma mniejszy moment przy dużych prędkościach obrotowych.

W przypadku wkręcania urządzenie automatycznie wybierze prawidłową prędkość obrotową.

dych materiałów lub podczas wykręcania wkrętów.

- Podczas wkręcania wkrętów należy wybrać tak niską nastawę, jak to możliwe. Jeśli następuje poślizg silnika

przed całkowitym wkręceniem wkrętu, wybrać wyższą nastawę.

OSTRZEŻENIE: Jeśli elektronarzędzie nadmiernie nagrzej się podczas użytkowania, natychmiast przerwać używanie narzędzia i przed kontynuowaniem pracy poczekać na jego ochłodzenie. Okres chłodzenia można skrócić, uruchamiając urządzenie z maksymalną prędkością obrotową bez obciążenia. Należy zawsze upewnić się, że otwory wentylacyjne silnika (5) nie są zablokowane i nie wolno dopuszczać do przedostawania się pyłu do wnętrza narzędzia przez otwory wentylacyjne; pył, a szczególnie pył metaliczny, może uszkodzić lub zniszczyć narzędzie.

7.6 Włączanie i wyłączenie urządzenia

Włącznik/wyłącznik (8) służy do uruchamiania urządzenia i regulacji prędkości obrotowej.

- Naciśnięcie włącznika/wyłącznika (8) spowoduje uruchomienie urządzenia, a im mocniej wciskany jest przycisk, tym szybciej będzie obracać się końcówka.
- Zwolnienie włącznika/wyłącznika (8) spowoduje zatrzymanie urządzenia.

7.7 Lampa LED

Lampa LED (14) zostanie włączona automatycznie po naciśnięciu przycisku włącznika/wyłącznika (8).

8. Akcesoria

Stosować tylko akcesoria o dopuszczalnej prędkości obrotowej odpowiadającej co najmniej najwyższej prędkości obrotowej narzędzia bez obciążenia.

9. Konserwacja i czyszczenie

OSTRZEŻENIE: Przed wykonaniem jakiegokolwiek konserwacji/czyszczenia ładowarki należy ją najpierw odłączyć od zasilania elektrycznego. Przed wykonaniem jakiegokolwiek konserwacji/czyszczenia narzędzia zdemontować akumulator.

9.1 Konserwacja

W urządzeniu nie ma elementów wewnętrznych wymagających konserwacji.

9.2 Czyszczenie

- W miarę możliwości należy chronić wszystkie rozwiązania zabezpieczające,

otwory wentylacyjne i obudowę silnika przed zanieczyszczeniami i pyłem. Wytrzeć elektronarzędzie czystą ściereczką lub przedmuchać sprężonym powietrzem o niskim ciśnieniu.

- Zalecamy czyszczenie narzędzia z napędem elektrycznym natychmiast po każdym użyciu.
- Regularnie czyścić elektronarzędzie wilgotną szmatką i niewielką ilością delikatnego mydła.

Nie stosować środków czyszczących lub rozpuszczalników; mogą one spowodować uszkodzenie plastikowych części urządzenia. Nie dopuścić, by do wnętrza elektronarzędzia przedostała się woda.

10. Dane techniczne

Prędkość obrotowa wiercenia	0–400 / 1500 min ⁻¹
Prędkość obrotowa wkręcania	0 – 400 min ⁻¹
Uchwyt	10 mm
Moment obrotowy	.26 Nm
Masa	1,2 kg
Poziom ciśnienia akustycznego L _{pA}	67,6 dB(A)
Niepewność K _{pA}	5 dB(A)
Poziom mocy akustycznej L _{WA}	78,6 dB(A)
Niepewność K _{WA}	5 dB(A)
Drgania ręki/ramienia	1,061 m/s ²
Niepewność K	1,5 m/s ²

11. Utylizacja



Nie należy utylizować elektronarzędzi z odpadami domowymi.

Narzędzie z napędem elektrycznym jest dostarczane w opakowaniu celem zredukowania uszkodzeń w czasie transportu. Opakowanie jest surowcem i jako takie może zostać ponownie użyte lub ponownie przetworzone. Narzędzie z napędem elektrycznym i jego akcesoria wykonane są z różnych materiałów, takich jak metale i tworzywa sztuczne. Uszkodzone elementy należy przekazać do specjalnych punktów gromadzenia odpadów. Informacje o nich można uzyskać w sklepie lub u władz lokalnych. Produkt i instrukcja obsługi mogą ulec zmianie. Dane techniczne mogą zostać zmienione bez wcześniejszego powiadomienia.

11.1 Akumulatory

Podczas utylizacji akumulatorów brać pod uwagę środowisko naturalne. Aby uzyskać informacje na temat najbliższego punktu zbiórki odpadów, należy skontaktować się z jednostką władz samorządowych.

Nie należy utylizować akumulatorów z odpadami domowymi.

Nie należy utylizować akumulatorów przez spalenie, może to prowadzić do wybuchu.

12. Deklaracja zgodności z wymogami UE

Firma **Batavia B.V., Weth. Wassebalie-straat 6d, NL-7951 SN Staphorst** oświadcza na własną odpowiedzialność, że produkt **Bezprzewodowa wiertarko-wkrętarka, model BT-CCD002, pozycja nr 7063810** jest zgodny z podstawowymi wymaganiami, które zostały zdefiniowane w Dyrektywach Europejskich dotyczących kompatybilności elektromagnetycznej **2014/30/UE** (EMC), **2006/42/UE** (maszynowej), **2011/65/UE** (RoHS) oraz poprawkach do nich. W celu oceny zgodności zastosowane zostały następujące normy zharmonizowane:

EN 62841-1:2015;
EN 62841-2-1:2018+A11:2019;
AfPS GS 2019:01;
EN 55014-1:2017;
EN 55014-2:2015

Staphorst, 1 wrzesień 2021

Meino Seinen, QA Representative
 Batavia B.V., Weth. Wassebaliestraat 6d,
 7951 SN Staphorst, Holandia

Produkt i instrukcja obsługi mogą ulec zmianie. Dane techniczne mogą zostać zmienione bez wcześniejszego powiadomienia.



ONE BATTERY FOR 30+ TOOLS

MAXPACK 18 V

18 V Cordless collection

30+ TOOLS



BATAVIA

2 YEAR WARRANTY

This product has got a 2 year warranty

Dear Client, if for any reason this product is not working, please ensure you contact our [Client Service Centre](#). Ensure you have your original receipt of purchase. This warranty covers all defects in workmanship or materials in this Batavia product for a two year period from the date of purchase. The warranty does not cover any malfunction, or defect resulting from misuse, neglect, alteration, or repair.

Dieses Produkt hat 2 Jahre Garantie

Sehr geehrter Kunde, unsere Produkte unterliegen einer strengen Qualitätskontrolle. Sollte dieses Gerät nicht einwandfrei sein, so wenden Sie sich bitte immer zuerst an unseren [Kunden-Service](#). Bitte bewahren Sie unbedingt den Kaufbeleg auf. Die Garantieleistung gilt nur für Material-oder Fabrikationsfehler. Ausgeschlossen sind Mängel die durch häufigen Gebrauch, missbräuchlicher und unsachgemäßer Behandlung oder Gewalteinwirkung verursacht worden sind.


Ce produit a 2 ans de garantie

Cher client, Si pour une raison quelconque, ce produit ne fonctionne pas, veuillez contacter notre [Centre de service après-vente](#). Conservez le bon d'achat original. Cette garantie couvre tous les défauts de matériau et de main d'œuvre constatés sur ce produit Batavia pendant une période de deux ans à compter de la date d'achat. Les défauts de fonctionnement et autres résultant d'abus ou de mauvais emploi, de négligence, de modifications ou réparations non autorisées sont exclus de la garantie.

Dit product heeft 2 jaar garantie

Geachte klant, onze producten ondergaan een streng kwaliteitscontrole proces. Wanneer dit product niet correct functioneert, wend u zich alstublieft altijd eerst tot onze [klantenservice](#). Bewaar altijd uw aankoopbewijs. De garantieservice is alleen van toepassing op materiaal- of productiefouten. Uitgesloten zijn gebreken veroorzaakt door intensief gebruik, misbruik en incorrecte behandeling of extern geweld.

Deutschland – Kundenservice – Montag bis Freitag von 9 bis 17 Uhr


 **01805 937 832***

Other European countries – Customer Services /

Autres pays d'Europe – Service clientèle /

Overige landen Europa – Klantenservice

Monday till Friday from 8 am until 4 pm / Lundi jusqu'à Vendredi de 9 – 17 heure / Maandag t/m vrijdag van 9 tot 17 uur

 **00800 664 774 00**



*Nur €0,14 /Minute aus dem dt. Festnetz,
max. €0,42/Minute aus den Mobilfunknetzen

Model: BT-CTD001
Item-No.: 7063778
www.batavia.eu | info@batavia.eu

BATAVIA B.V. | Weth. Wassebaliestraat 6d | 7951SN Staphorst | Netherlands

BATAVIA

2 YEAR WARRANTY

Questo prodotto è garantito per 2 anni

Gentile Cliente, se per una qualche ragione il prodotto non funziona, La invitiamo a mettersi in contatto con il nostro Centro Assistenza Clienti. Si accerti di avere la ricevuta originale dell'acquisto. La garanzia copre tutti i difetti di fabbricazione o di materiale in questo prodotto Batavia per un periodo di 2 anni dalla data di acquisto. La garanzia non copre malfunzionamenti o difetti derivanti da uso inappropriato, improprio, da modifiche o riparazioni.

Este producto tiene dos años de garantía

Estimado cliente: si por cualquier razón este producto no funciona, póngase en contacto con nuestro Centro de Atención al Cliente. Asegúrese de tener a mano la factura de compra original. Esta garantía cubre todos los defectos de mano de obra o materiales de este producto de Batavia por un período de dos años a partir de la fecha de compra. La garantía no cubre ningún mal funcionamiento o defectos resultantes del mal uso, negligencia, alteración o reparación.

Este produto tem uma garantia de 2 anos

Estimado Cliente, se, por qualquer motivo, este produto não estiver a funcionar devidamente, contacte o nosso Centro de Apoio ao Cliente. Certifique-se de que possui a prova de compra original. Esta garantia cobre todos os defeitos de fabrico ou materiais do produto Batavia durante um período de dois anos, a contar da data de compra. A garantia não cobre quaisquer avarias ou defeitos resultantes de um uso indevido, negligência, modificações ou reparações.

Produkt posiada 2-letnią gwarancję.

Szanowny Kliencie! Jeśli z jakiegokolwiek powodu niniejszy produkt nie działa, prosimy skontaktować się z naszym Centrum obsługi serwisowej. Upewnij się, że posiadasz oryginalny dowód zakupu. Niniejsza gwarancja obejmuje wszystkie wady produkcyjne i materiałowe w produktach Batavia przez okres dwóch lat od daty zakupu. Gwarancja nie obejmuje żadnych usterek lub uszkodzeń wynikających z nieprawidłowego użycia, zaniedbania, modyfikacji lub naprawy.

Deutschland – Kundenservice – Montag bis Freitag von 9 bis 17 Uhr

☎ **01805 937 832***

**Other European countries – Customer Services /
Autres pays d'Europe – Service clientèle /
Overige landen Europa – Klantenservice**

Monday till Friday from 8 am until 4 pm / Lundi jusqu'à Vendredi
de 9 – 17 heure / Maandag t/m vrijdag van 9 tot 17 uur

☎ **00800 664 774 00**



*Nur €0,14 /Minute aus dem dt. Festnetz,
max. €0,42/Minute aus den Mobilfunknetzen

**Model: BT-CTD001
Item-No.: 7063778**
www.batavia.eu | info@batavia.eu

7063778 / 1

BATAVIA B.V. | Weth. Wassebaliestraat 6d | 7951SN Staphorst | Netherlands